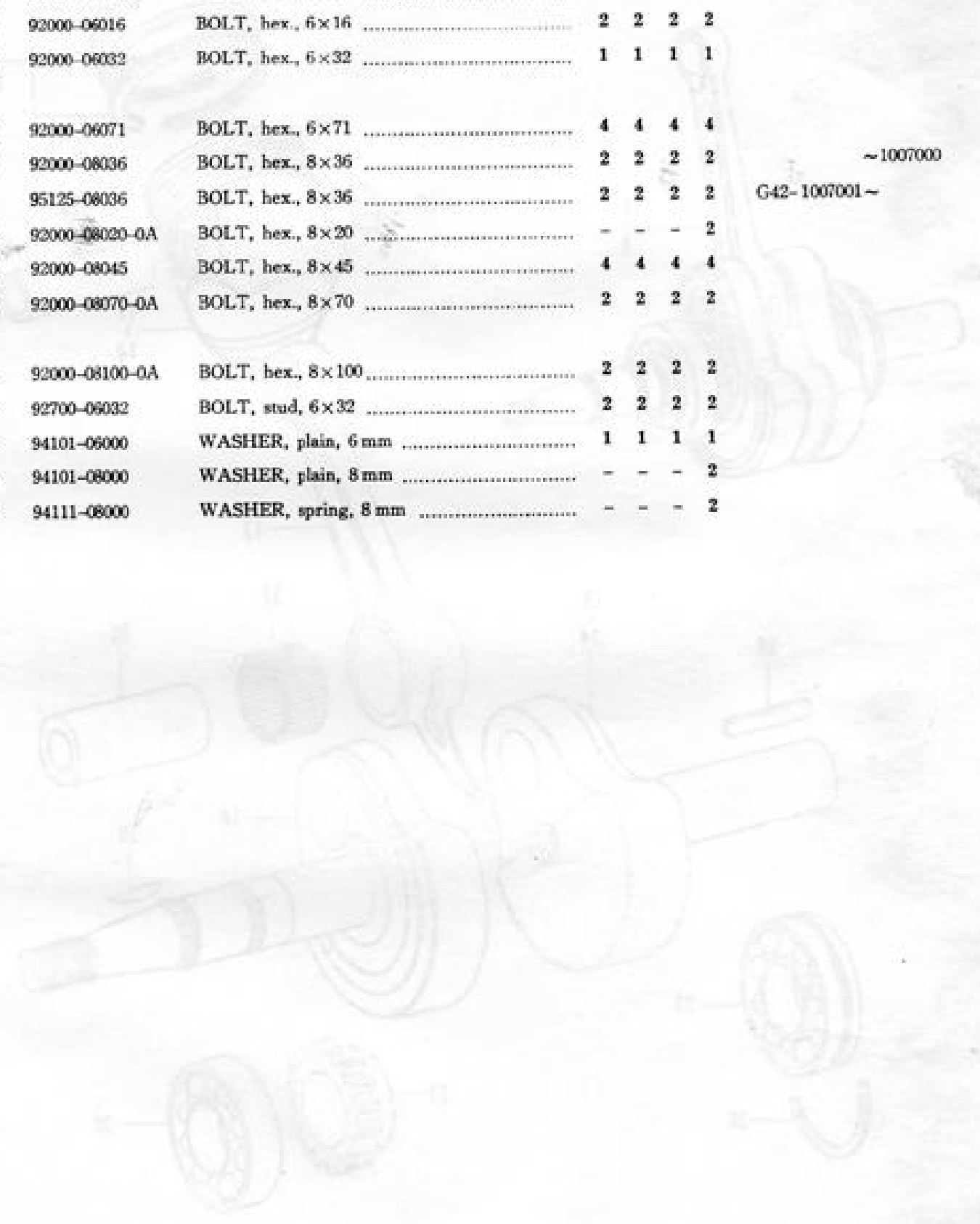


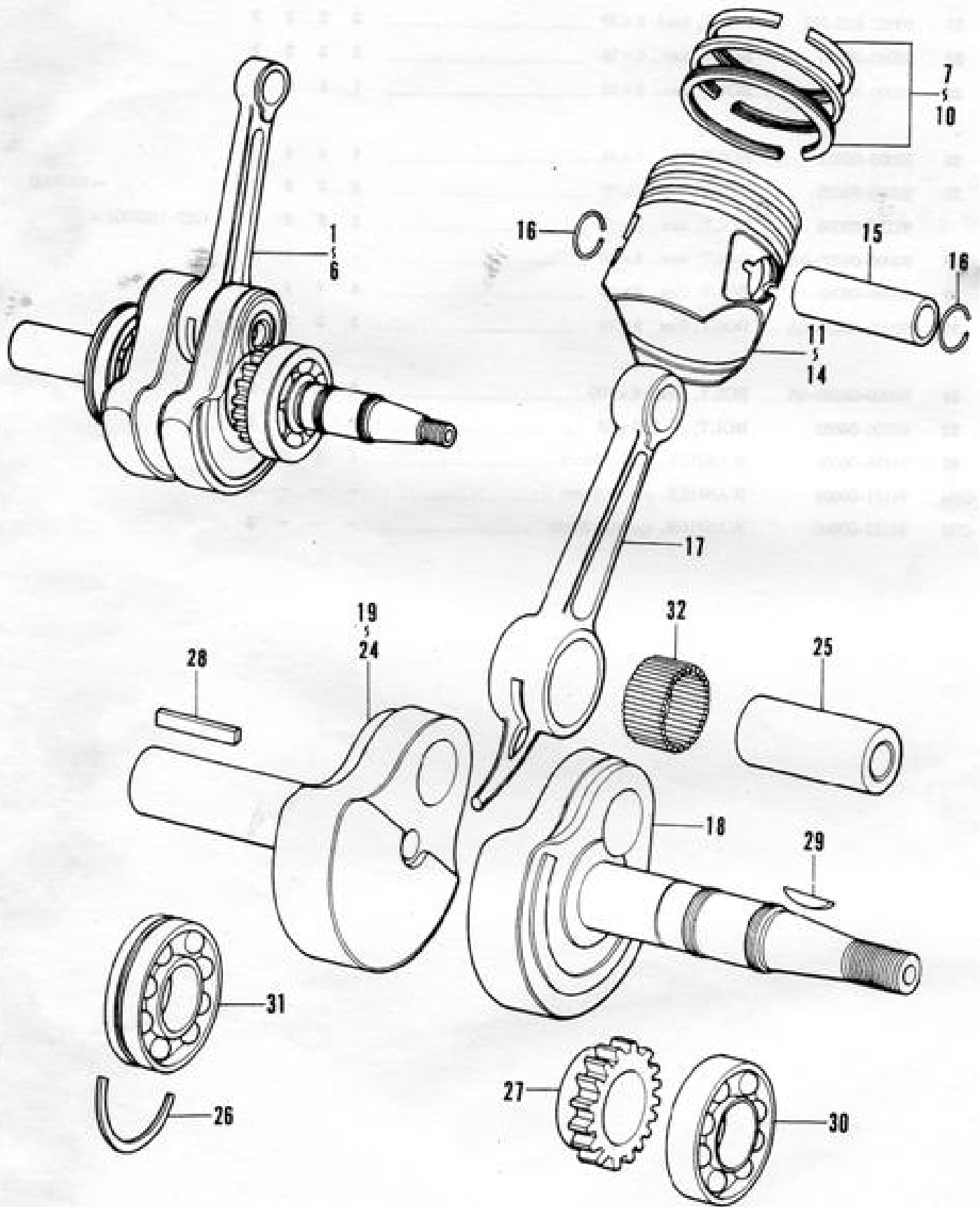
G-9 Cylinder Barrel

Ref. No.	Part No.	Description	Reqd. No.				Remarks
			G	E1	E2	F	
○ 1	11901-704-000	PLATE, bottom guide.....	-	-	-	1	
2	12100-865-000	BARREL COMP, cylinder (Except G42P, G42Q, G42U, G42V and G42QT)	1	1	1	-	~1007000
	12100-865-010	(Superseded by 12100-865-020).....	1	1	1	1	G42-1007001~1010001
	12100-865-020	BARREL COMP, cylinder (Except G42P, G42Q, G42U, G42V and G42QT)	1	1	1	1	G42-1010002~
	12100-865-690	BARREL COMP, cylinder (Used on type G42P, G42Q, G42U, G42V and G42QT)	1	-	-	-	
	12100-865-691	BARREL COMP, cylinder	1	-	-	-	
3	12201-841-000	HEAD, cylinder	1	-	1	1	
	12201-822-000	HEAD, cylinder	-	1	-	-	
4	12251-822-000	GASKET, cylinder head	1	1	1	1	
5	12361-822-000	COVER, tappet.....	1	1	1	1	
6	12370-843-000	SEPARATOR, oil.....	1	1	1	1	
7	12372-822-000	PACKING, breather case	2	2	2	2	
8	14214-822-000	PLUG, cam shaft sealing	1	1	1	1	
9	14711-822-010	VALVE, inlet.....	1	1	1	1	
10	14721-822-020	VALVE, exhaust	1	1	1	1	
11	14731-822-000	LIFTER, valve	2	2	2	2	
12	14751-822-000	SPRING, valve	2	2	2	2	
13	14771-805-000	RETAINER, valve spring (Inlet side)	1	1	1	1	
14	14771-822-030	RETAINER, valve (Exhaust side)	1	1	1	1	
15	14775-822-010	SEAT, valve spring.....	2	2	2	2	
16	14777-822-405	ADJUSTER, tappet clearance (5.2~5.3)	(1)	(1)	(1)	(1)	
	14777-822-415	ADJUSTER, tappet clearance (5.5~5.6)	(1)	(1)	(1)	(1)	
	14777-822-425	ADJUSTER, tappet clearance (5.9~6.0)	(1)	(1)	(1)	(1)	
17	16211-822-010	INSULATOR, carburetor	1	1	1	-	
○	16211-865-780	INSULATOR, carburetor	-	-	-	1	
18	16229-822-010	PACKING, carburetor insulator	1	1	1	1	
○19	23441-719-010	STOPPER A, belt	-	-	-	1	
○20	23442-719-000	STOPPER B, belt	-	-	-	1	

G-9 Cylinder Barrel

Ref. No.	Part No.	Description	Reqd. No.				Remarks
			G	E1	E2	F	
21	90001-822-000	BOLT, cylinder head clamp	2	2	2	2	
22	90402-822-000	WASHER, head, 8 mm	8	8	8	8	
23	90062-822-701	BOLT, stud, 8×39	2	2	2	2	
24	92000-06016	BOLT, hex., 6×16	2	2	2	2	
25	92000-06032	BOLT, hex., 6×32	1	1	1	1	
26	92000-06071	BOLT, hex., 6×71	4	4	4	4	
27	92000-08036	BOLT, hex., 8×36	2	2	2	2	~1007000
	95125-08036	BOLT, hex., 8×36	2	2	2	2	G42-1007001~
○28	92000-08020-0A	BOLT, hex., 8×20	-	-	-	2	
29	92000-08045	BOLT, hex., 8×45	4	4	4	4	
30	92000-08070-0A	BOLT, hex., 8×70	2	2	2	2	
31	92000-08100-0A	BOLT, hex., 8×100	2	2	2	2	
32	92700-06032	BOLT, stud, 6×32	2	2	2	2	
33	94101-06000	WASHER, plain, 6 mm	1	1	1	1	
○34	94101-08000	WASHER, plain, 8 mm	-	-	-	2	
○35	94111-08000	WASHER, spring, 8 mm	-	-	-	2	





G-10 Crankshaft

Ref. No.	Part No.	Description	Read. No.				Remarks
			G	E1	E2	F	
1	13000-822-030	CRANKSHAFT ASSY. (*Used on type G42D)	1	1	1	1	
2	13000-822-691	CRANKSHAFT ASSY. (Used on type G42P)	1	-	-	-	
3	13000-822-701	CRANKSHAFT ASSY. (Used on type G42Q and G42QT)	1	-	-	-	
4	13000-822-711	CRANKSHAFT ASSY. (Used on type G42U)	1	-	-	-	
5	13000-822-721	CRANKSHAFT ASSY. (Used on type G42V)	1	-	-	-	
6	13000-822-631	CRANKSHAFT ASSY. (Used on type G42HD)	1	-	-	-	
7	13011-805-000	RING SET, siston (STD.)	1	1	1	1	
8	13021-805-000	RING SET, piston (0.25)	(1)	(1)	(1)	(1)	
9	13031-805-000	RING SET, piston (0.50)	(1)	(1)	(1)	(1)	
10	13041-805-000	RING SET, piston (0.75)	(1)	(1)	(1)	(1)	
11	13101-822-000	PISTON (STD.)	1	1	1	1	
12	13102-822-000	PISTON (0.25)	(1)	(1)	(1)	(1)	
13	13103-822-000	PISTON (0.50)	(1)	(1)	(1)	(1)	
14	13104-822-000	PISTON (0.75)	(1)	(1)	(1)	(1)	
15	13111-805-000	PIN, piston	1	1	1	1	
16	13115-805-000	CLIP, piston pin	2	2	2	2	
17	13301-822-000	ROD, connecting	1	1	1	1	
18	13311-822-020	CRANKSHAFT, right	1	1	1	1	
19	13321-805-020	CRANKSHAFT, left	1	1	1	1	
		(*Used on type G42D)					
20	13321-807-680	CRANKSHAFT, left	1	-	-	-	
		(Used on type G42P)					
21	13321-807-690	CRANKSHAFT, left	1	-	-	-	
		(Used on type G42Q and G42QT)					
22	13321-807-700	CRANKSHAFT, left	1	-	-	-	
		(Used on type G42U)					
23	13321-807-710	CRANKSHAFT, left	1	-	-	-	
		(Used on type G42V)					
24	13321-807-730	CRANKSHAFT, left	1	-	-	-	
		(Used on type G42HD)					
25	13381-822-000	PIN, crank	1	1	1	1	
26	13491-701-000	SET-RING, ball bearing	1	1	1	1	
27	14311-822-000	GEAR, timing	1	1	1	1	
28	90741-805-000	KEY, 7×7×33	1	-	1	1	
29	90743-822-010	KEY, woodruff 16×12	1	1	1	1	
30	91001-822-000	BEARING BALL, radial, 6304,	1	1	1	1	
31	91002-805-000	BEARING BALL, radial, 6206SHS	1	1	1	1	
32	91101-805-000	ROLLER, rod, 2.48×18.8	36	36	36	36	

G-11 Camshaft · Oil Pan

Ref. No.	Part No.	Description	Reqd. No.				Remarks
			G	E1	E2	F	
1	11200-865-000	PAN, oil (*Used on type G42D, G42RD, G42CD and G42HD)	1	1	1	1	
2	11200-865-690	PAN, oil (Used on type G42P, G42Q, G42U, G42V and G42QT)	1	-	-	-	
3	11210-822-010	COVER, oil pan hole	1	-	1	1	
4	11951-807-680	PLATE, attachment guide (Used on type G42P, G42Q, G42U, G42V and G42QT)	1	-	-	-	
5	14101-822-020	CAM, shaft	1	1	1	1	
6	14210-822-020	CENTER COMP., camshaft	1	1	1	1	
7	14213-822-000	COLLAR, camshaft	1	1	1	1	
8	15611-921-000	CAP, oil	1	1	1	1	
9	16511-805-000	WEIGHT, governor	8	8	8	8	
10	16515-805-000	CENTER, governor weight	1	1	1	1	
11	16521-822-010	SLIDER, governor	1	1	1	1	
12	90701-200-000	PIN, knock, 8.5×11	2	2	2	2	
13	91201-822-003	OIL-SEAL, PJ20528	1	1	1	1	
14	91204-805-000	OIL-SEAL, PJ306510	1	1	1	1	
15	91301-805-000	O-RING, 26×2.7	2	2	2	2	
16	92000-06012	BOLT, hex., 6×12	2	-	2	2	
17	92800-12000	BOLT, plug drain 12 mm	2	2	2	2	
18	94101-03000	WASHER, plain, 3 mm	4	4	4	4	
19	94109-12000	WASHER, plug drain, 12 mm	2	2	2	2	
20	94111-06000	WASHER, spring, 6 mm	2	2	2	2	
○21	11220-815-000	PIPE, oil	-	1	-	-	
○22	11211-822-000	PACKING, oil pan	-	1	-	-	
○23	15620-815-000	CAP, oil	-	1	-	-	
○24	92000-06020	BOLT, hex., 6×20	-	2	-	-	
○25	92000-10040-0A	BOLT, hex., 10×40	-	4	-	-	