



Illustrated Parts List

Model Series

09D900

TYPE NUMBERS
1607 through 2241.

TABLE OF CONTENTS

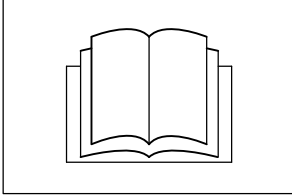
Air Cleaner	5
Auxilliary Drive	3
Blower Housing/Shrouds	6
Brake	7
Camshaft	3
Carburetor	4
Controls	5
Crankcase Cover/Sump	3
Crankshaft	3
Cylinder	2
Cylinder Head	2
Exhaust System	5
Flywheel	6
Fuel Supply	4
Gasket Set - Engine	2
Gasket Set - Valve	2
Governor Spring	5
Ignition	5
Lubrication	2
Operator's Manual	2
Piston/Rings/Connecting Rod	3
Rewind Starter	6
Warning Label	2



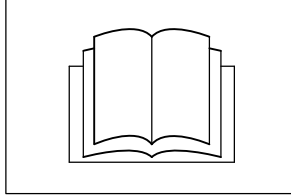
PRINTED IN U.S.A.

COPYRIGHT by BRIGGS & STRATTON CORPORATION
All rights reserved. No part of this material may be reproduced or transmitted, in any form or by any means, electronic or mechanical, including photocopying, recording or by any information storage and retrieval system, without permission in writing from Briggs & Stratton Corporation.

1058 OPERATOR'S MANUAL



1330 REPAIR MANUAL

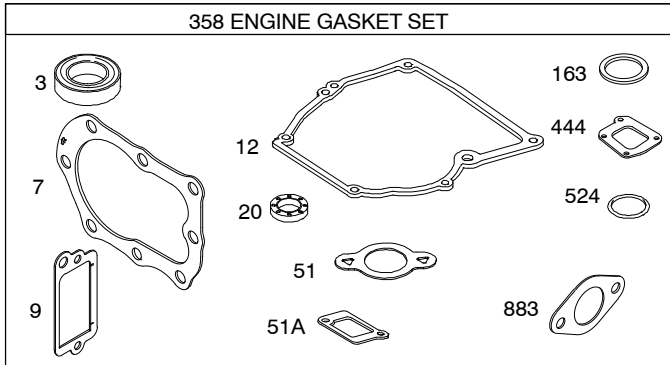


1319 WARNING LABEL

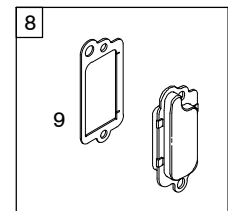
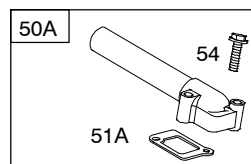
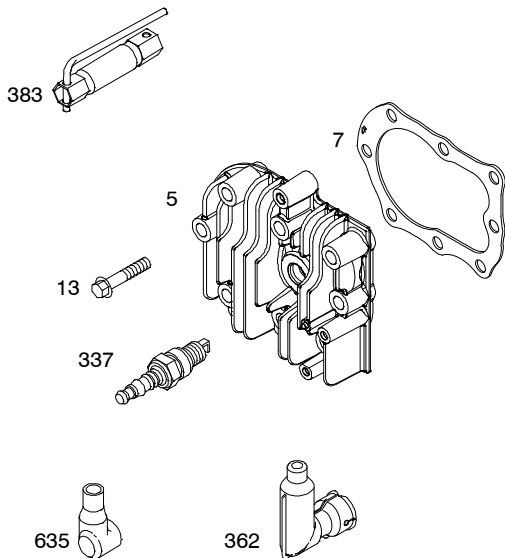
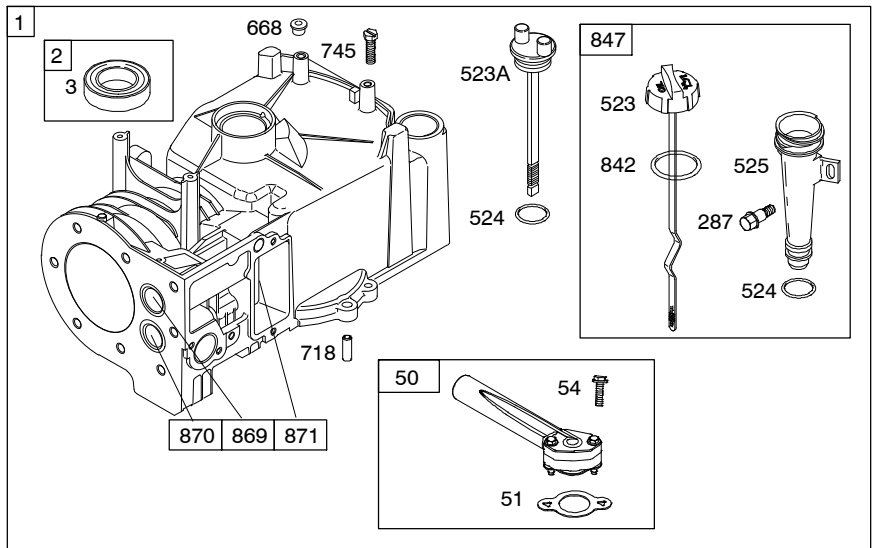
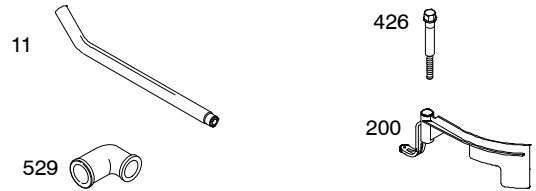
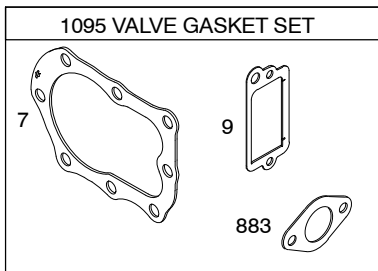
WARNING	
	Read and follow Operating Instructions before running engine.
	Gasoline is flammable. Allow engine to cool at least 2 minutes before refueling.
	Engines emit carbon monoxide, DO NOT run in enclosed area.
	Muffler area temperature may exceed 150°F. Do not touch hot parts.

REQUIRED when replacing parts with warning labels affixed.

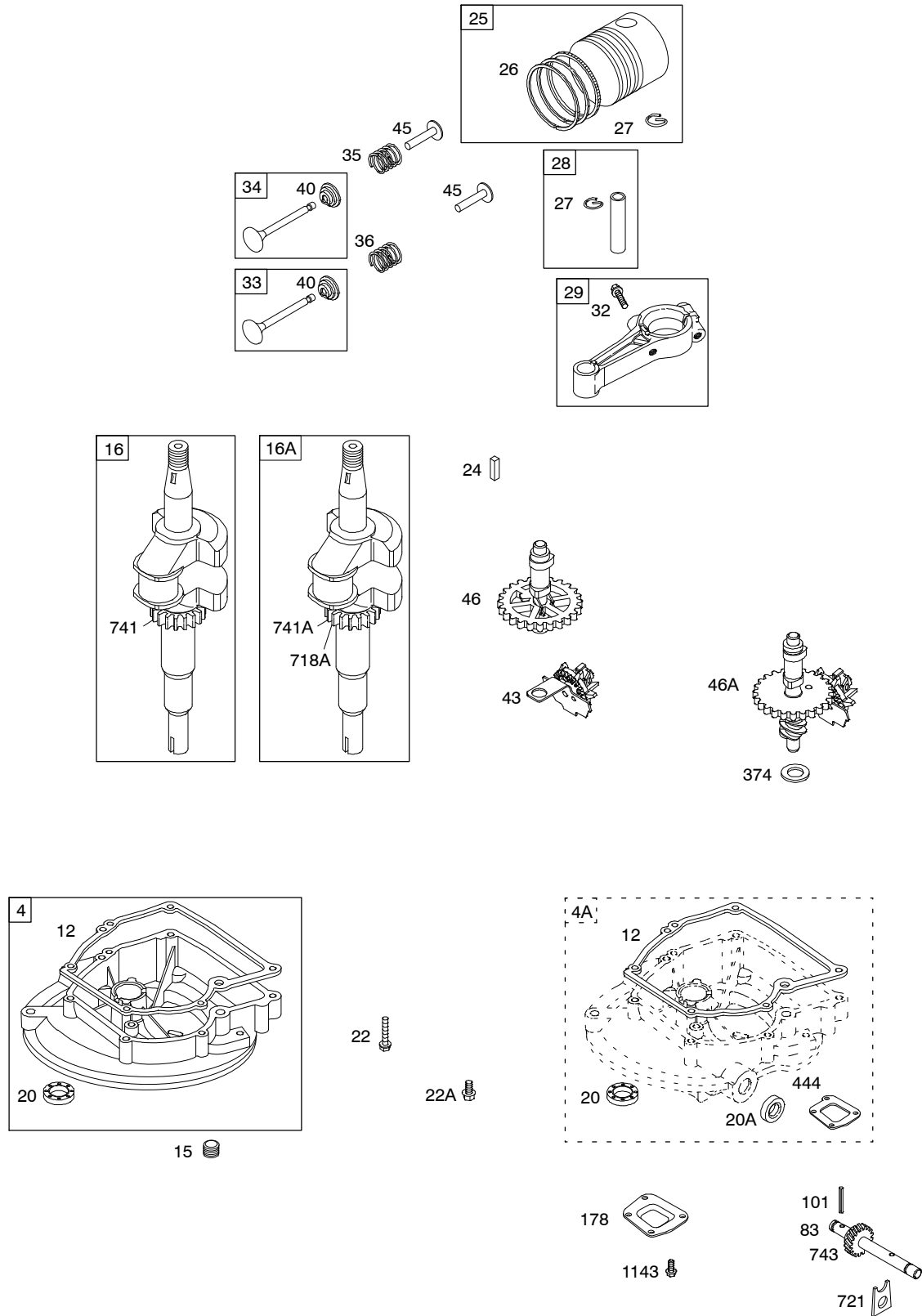
358 ENGINE GASKET SET



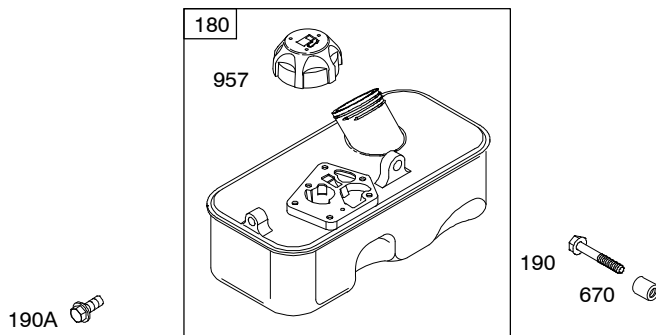
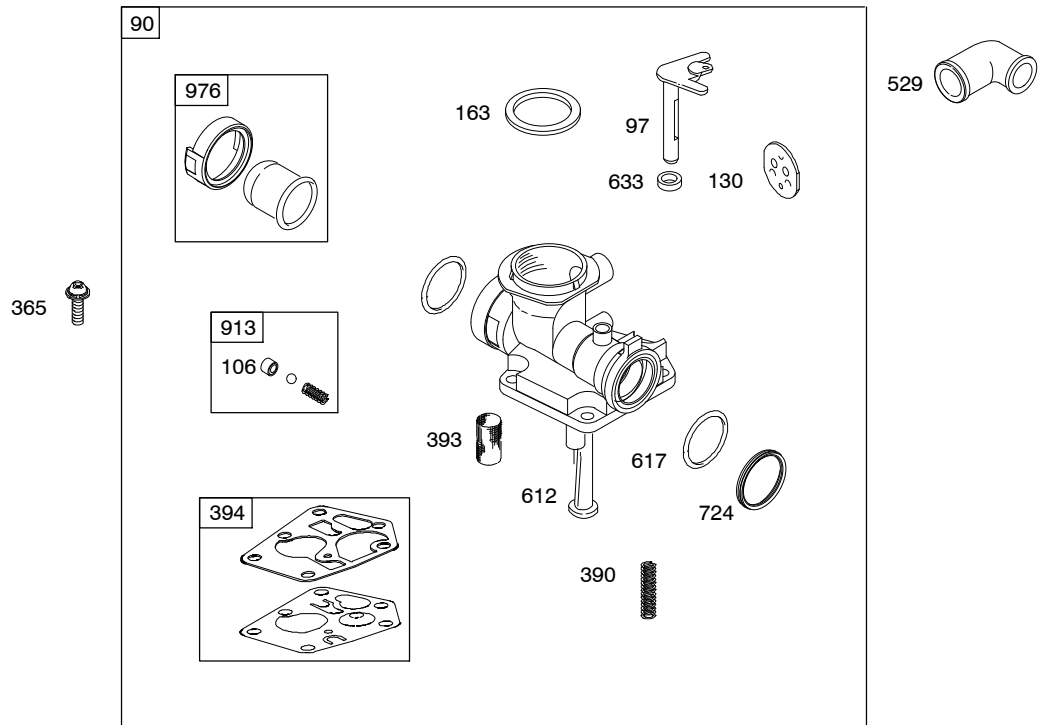
1095 VALVE GASKET SET



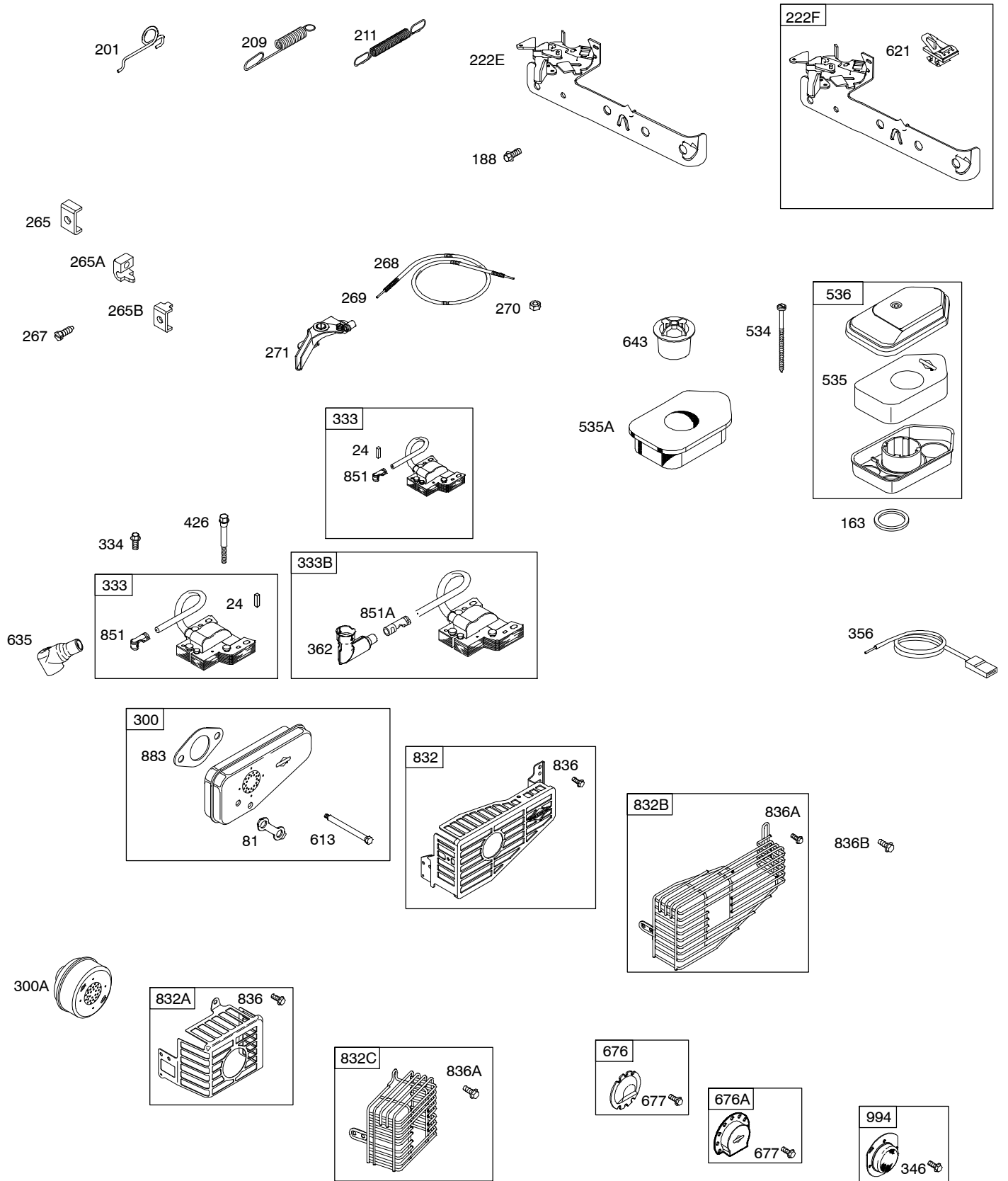
Illustrations cover a range of engines. Parts shown without corresponding text may not be used on your specific engine.



Illustrations cover a range of engines. Parts shown without corresponding text may not be used on your specific engine.
 4864-3 Assemblies include all parts shown in frames. 08/11/2008



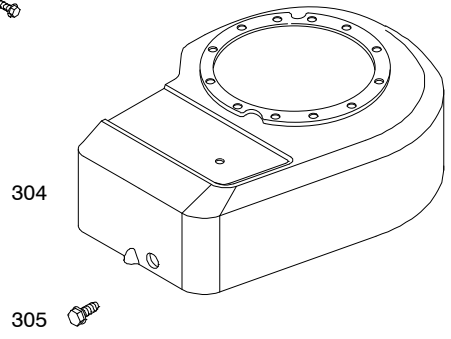
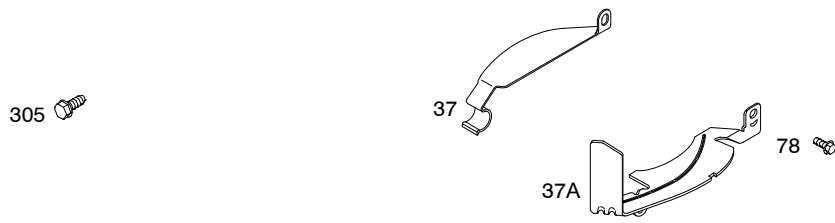
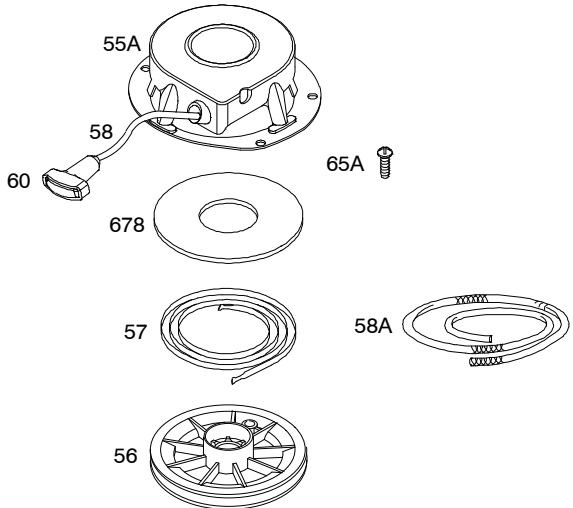
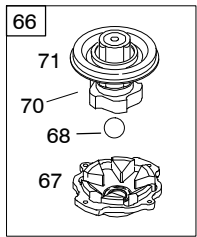
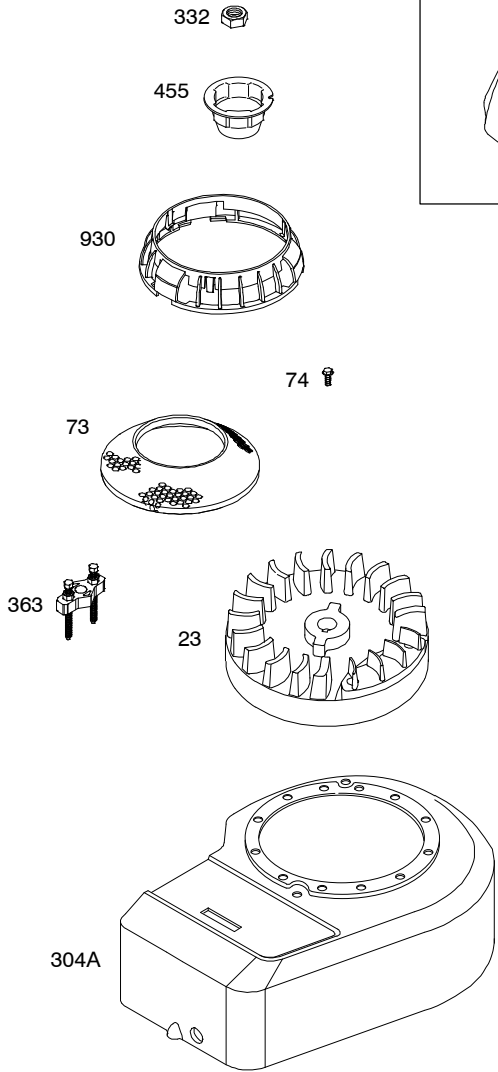
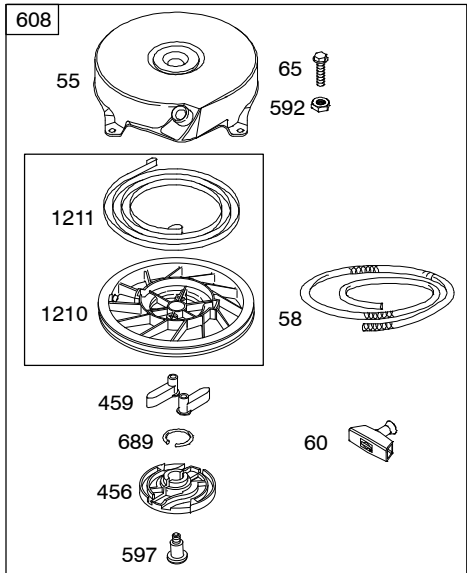
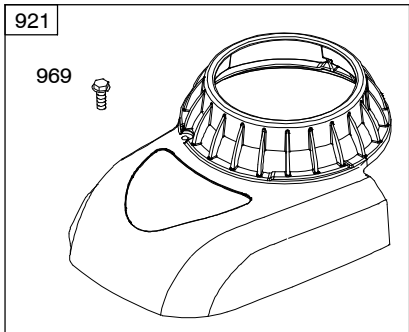
Illustrations cover a range of engines. Parts shown without corresponding text may not be used on your specific engine.
4864-4 Assemblies include all parts shown in frames.



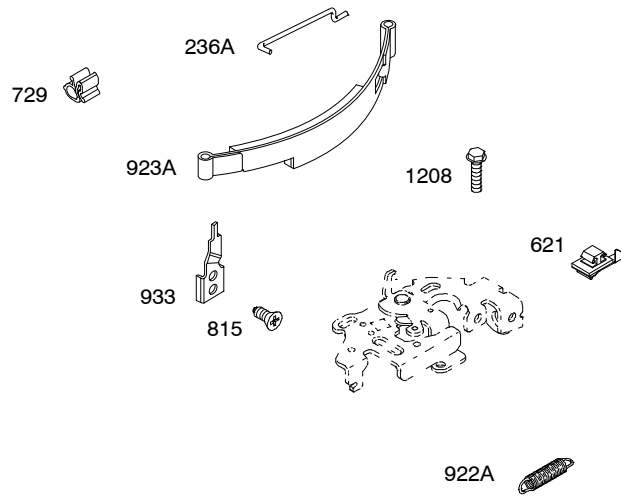
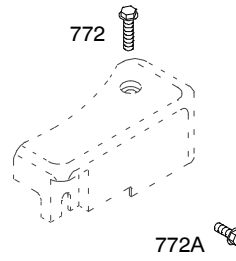
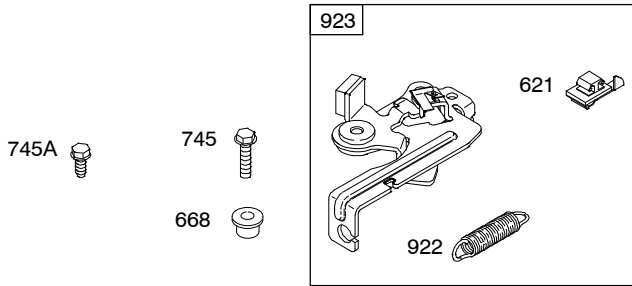
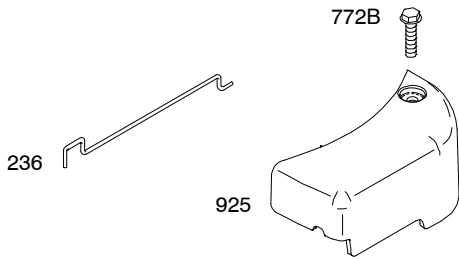
Illustrations cover a range of engines. Parts shown without corresponding text may not be used on your specific engine.

09D900

1036 EMISSIONS LABEL



Illustrations cover a range of engines. Parts shown without corresponding text may not be used on your specific engine.
 4864-6 Assemblies include all parts shown in frames. 08/11/2008



Illustrations cover a range of engines. Parts shown without corresponding text may not be used on your specific engine.
4864-7 Assemblies include all parts shown in frames. 08/11/2008

09D900

REF. NO.	PART NO.	DESCRIPTION	REF. NO.	PART NO.	DESCRIPTION	REF. NO.	PART NO.	DESCRIPTION
1	699653	Cylinder Assembly	16	796211	Crankshaft (Used After Code Date 08071300).	16A	793062	Crankshaft (Used Before Code Date 08071400).
2	399269	Kit-Bushing/Seal (Magneto Side)			----- Note -----			----- Note -----
3	★299819S	Seal-Oil (Magneto Side)			796212 Crankshaft (Used After Code Date 08071300). Used on Type No(s). 2001, 2018, 2027, 2032, 2037, 2040, 2045, 2089, 2093, 2095, 2223, 2226, 2227, 2230, 2237, 2238, 2240, 2241.			692990 Crankshaft Used on Type No(s). 2007, 2010, 2011, 2029, 2031, 2035, 2038, 2039, 2050, 2060, 2112, 2137, 2200, 2201, 2202, 2210.
4	698691	Sump-Engine (Used After Code Date 02111200). ----- Note -----			796213 Crankshaft (Used After Code Date 08071300). Used on Type No(s). 2041, 2213, 2228, 2239.			692990 Crankshaft (Used Before Code Date 08071400). Used on Type No(s). 2001, 2018, 2027, 2032, 2037, 2040, 2045, 2089, 2093, 2095, 2223, 2226, 2227, 2230, 2237, 2238, 2240, 2241.
4A		395384 Sump-Engine (Used Before Code Date 02111300). Sump-Engine (NO LONGER AVAILABLE) Used on Type No(s). 2010, 2016, 2018, 2202, 2221.			796215 Crankshaft (Used After Code Date 08071300). Used on Type No(s). 2222.			692991 Crankshaft Used on Type No(s). 1607, 2003, 2005, 2008, 2020, 2024, 2079, 2084, 2209, 2212, 2218.
5	790169	Head-Cylinder						692991 Crankshaft (Used Before Code Date 08071400). Used on Type No(s). 2041, 2213, 2228, 2239.
7	★Δ698717	Gasket-Cylinder Head						791342 Crankshaft (Used Before Code Date 08071400). Used on Type No(s). 2222.
8	791781	Breather Assembly						
9	★Δ695890	Gasket-Breather						
10	691666	Screw (Breather Assembly)						
11	691245	Tube-Breather						
12	★692218	Gasket-Crankcase (Standard) (.015" Thick) ----- Note -----						
		★270895 Gasket-Crankcase (.005" Thick)						
		★270896 Gasket-Crankcase (.009" Thick)						
13	691640	Screw (Cylinder Head)						
15	691680	Plug-Oil Drain						

★ Engine Gasket Set-Reference 358

Δ Valve Gasket Set-Reference 1095

Illustrations cover a range of engines. Parts shown without corresponding text may not be used on your specific engine.

4864-8

Assemblies include all parts shown in frames.

08/11/2008

09D900

REF. NO.	PART NO.	DESCRIPTION	REF. NO.	PART NO.	DESCRIPTION	REF. NO.	PART NO.	DESCRIPTION
20	★391483S	Seal-Oil (PTO Side)	24	222698S	Key-Flywheel	33	296676	Valve-Exhaust
20A	★691952	Seal-Oil (PTO Side) (Auxiliary Drive) Used on Type No(s). 2010, 2016, 2018, 2202, 2221.	25	790908	Piston Assembly (Standard) (Used After Code Date 04111400). ----- Note ----- 699657 Piston Assembly (Standard) (Used Before Code Date 04111500). 792532 Piston Assembly (.020" Oversize) (Used After Code Date 04111400).	34	296677	Valve-Intake
22	692551	Screw (Crankcase Cover/Sump) (1 5/32" Long)				35	690520	Spring-Valve (Intake)
22A	691108	Screw (Crankcase Cover/Sump) (19/32" Long) Used on Type No(s). 2010, 2016, 2018, 2202, 2221.	26	790909	Ring Set (Standard) (Used After Code Date 04111400). ----- Note ----- 699658 Ring Set (Standard) (Used After Code Date 030803000 and Before Code Date 04111500). 498680 Ring Set (Standard) (Used After Code Date 92092800 and Before Code Date 03080400). 795134 Ring Set (.020" Oversize) (Used After Code Date 04111400). 498682 Ring Set (.020" Oversize) (Used Before Code Date 04111500).	36	690520	Spring-Valve (Exhaust)
23	795549	Flywheel ----- Note ----- 690843 Flywheel Used on Type No(s). 2016, 2021, 2025, 2026, 2028, 2051, 2053, 2090, 2094, 2112, 2128, 2200, 2207, 2209, 2220, 2224, 2233, 2234. 795695 Flywheel (Used After Code Date 08012900). Used on Type No(s). 2051, 2053, 2090, 2094, 2224, 2233, 2234. 690843 Flywheel (Used Before Code Date 08013000). Used on Type No(s). 2051, 2053, 2090, 2094, 2224, 2233, 2234.	27	691588	Lock-Piston Pin	37	690482	Guard-Flywheel (Carburetor Side)
			28	699659	Pin-Piston (Standard) (Used After Code Date 03080300). ----- Note ----- 298909 Pin-Piston (Standard) (Used Before Code Date 03080400).	37A	691209	Guard-Flywheel (Muffler Side)
			29	699655	Rod-Connecting (Standard)	40	692194	Retainer-Valve
			32	691664	Screw (Connecting Rod)	43	698690	Slinger-Governor/Oil (Used After Code Date 02110400). ----- Note ----- 691983 Slinger- Governor/Oil (Used Before Code Date 02110500).
						45	691762	Tappet-Valve
						46	691998	Camshaft
						46A	690644	Camshaft (Counterclockwise) Used on Type No(s). 2010, 2016, 2202, 2221.
						50	699644	Manifold-Intake (Used After Code Date 03080300).
						50A	693446	Manifold-Intake (Used Before Code Date 03080400).
						51	★699649	Gasket-Intake (Used After Code Date 03080300).
						51A	270345S	Gasket-Intake (Used Before Code Date 03080400).
						54	691111	Screw (Intake Manifold)
						55	692144	Housing-Rewind Starter
						55A	393576	Housing-Rewind
						56	280439S	Pulley-Starter
						57	490179	Spring-Rewind Starter
						58	697316	Rope-Starter (88 5/8" Long) ----- Note ----- 691921 Rope-Starter (70" Long)
						58A	280406S	Rope-Starter (82" Long)

★ Engine Gasket Set-Reference 358

△ Valve Gasket Set-Reference 1095

Illustrations cover a range of engines. Parts shown without corresponding text may not be used on your specific engine.

4864-9

Assemblies include all parts shown in frames.

08/11/2008

09D900

REF. NO.	PART NO.	DESCRIPTION	REF. NO.	PART NO.	DESCRIPTION	REF. NO.	PART NO.	DESCRIPTION
60	691915	Grip–Starter Rope	209	691297	Spring–Governor	211	691859	Spring–Governed Idle
65	690837	Screw (Rewind Starter)			----- Note -----	222E	691446	Bracket–Control
65A	690338	Screw (Rewind Starter)		690251	Spring–Governor	222F	691445	Bracket–Control Used on Type No(s).
66	399671	Clutch–Starter			Used on Type No(s).			2003, 2015, 2016,
67	394897	Housing–Clutch			2000, 2002, 2004,			2019, 2020, 2021,
68	691604	Ball–Clutch			2006, 2010, 2012,			2025, 2026, 2028,
70	691945	Ratchet–Clutch			2013, 2018, 2019,			2034, 2038, 2040,
71	691359	Cover–Ratchet			2020, 2021, 2022,			2050, 2051, 2052,
73	699850	Screen–Rotating			2024, 2025, 2026,			2053, 2061, 2090,
74A	690345	Screw (Rotating Screen)			2029, 2031, 2032,			2091, 2094, 2095,
78	692198	Screw (Flywheel Guard)			2033, 2036, 2037,			2112, 2128, 2137,
81	691179	Lock–Muffler Screw			2041, 2042, 2043,			2200, 2207, 2209,
83	691240	Shaft–Auxiliary Drive Used on Type No(s).			2044, 2045, 2046,			2210, 2220, 2224,
		2010, 2016, 2018,			2047, 2049, 2052,			2226, 2233, 2234,
		2221.			2054, 2061, 2084,			2235.
		----- Note -----			2089, 2090, 2091,	236	691867	Link–Lockout (Used After Code Date
	690514	Shaft–Auxiliary Drive			2092, 2093, 2094,			97071300). Used on Type No(s).
		Used on Type No(s).			2096, 2113, 2128,			2019, 2137.
		2202.			2137, 2200, 2201,	236A	691826	Link–Lockout (Used Before Code
90	498809	Carburetor			2202, 2212, 2213,			Date 97071400). Used on Type No(s).
97	691931	Shaft–Throttle			2218, 2219, 2221,			2019.
101	691623	Pin–Shaft (Drive Gear)			2223, 2225, 2227,			
106	691901	Seat–Inlet			2228, 2229, 2230,	265	692179	Clamp–Casing
130	691190	Valve–Throttle			2231, 2235, 2236,	265A	690798	Clamp–Casing Used on Type No(s).
163	★271139S	Gasket–Air Cleaner			2237, 2238, 2239,			2001, 2005, 2007,
178	690398	Cover–Drive Gear			2240, 2241.			2010, 2024, 2026,
180	494406	Tank–Fuel			690254			2042, 2050, 2060,
188	692198	Screw (Control Bracket)			Spring–Governor			2084, 2095, 2112,
190	691640	Screw (Fuel Tank) (1 3/4" Long)			Used on Type No(s).			2200, 2207, 2209,
190A	691108	Screw (Fuel Tank) (9/16" Long)			2016, 2051, 2207,	265B	691024	Clamp–Casing Used on Type No(s).
200	691912	Blade–Governor			2220, 2224, 2233,			2021, 2046, 2090,
201	690347	Link–Air Vane			2234.			2091, 2201.
					690250			
					Spring–Governor	267	691044	Screw (Casing Clamp)
					Used on Type No(s).	268	691025	Casing–Control Wire
					2034, 2040, 2095,	269	691026	Wire–Control
					2112, 2209, 2210.	270	691027	Nut (Control Wire Casing)
					690252	271	691028	Lever–Control
					Spring–Governor	287	691002	Screw (Dipstick Tube)
					Used on Type No(s).	300	692307	Muffler (Super Lo Tone)
					2053.	300A	394569S	Muffler (Round Lo Tone)

★ Engine Gasket Set–Reference 358

△ Valve Gasket Set–Reference 1095

Illustrations cover a range of engines. Parts shown without corresponding text may not be used on your specific engine.

REF. NO.	PART NO.	DESCRIPTION	REF. NO.	PART NO.	DESCRIPTION	REF. NO.	PART NO.	DESCRIPTION
304	691484	Housing-Blower (Compliance Engines) ----- Note ----- 694236 Housing-Blower (Compliance Engines) Used on Type No(s). 2037, 2041, 2054, 2096, 2223, 2225, 2227, 2228, 2229, 2230, 2231, 2236, 2241.	346	690661	Screw (Spark Arrestor)	608	499706	Starter-Rewind (88 5/8" Rope) ----- Note -----
304A	692536	Housing-Blower (Non Compliance Engines) ----- Note ----- 694051 Housing-Blower (Non Compliance Engines) Used on Type No(s). 2051, 2052, 2053, 2061, 2233, 2235.	356	692390	Wire-Stop	612	496046S	Tube-Pick Up
305	692198	Screw (Blower Housing)	358	794209	Gasket Set-Engine	613	691413	Screw (Muffler)
332	690662	Nut (Flywheel)	362	793351	Shield-Spark Plug	617	270344S	Seal-O Ring (Intake Manifold)
333	793281	Armature-Magneto (Slide On Spark Plug Boot)	363	19069	Puller-Flywheel	621	692310	Switch-Stop
333B	793352	Armature-Magneto (Snap In Spark Plug Boot) Used on Type No(s). 2037, 2041, 2042, 2043, 2047, 2053, 2054, 2227, 2229, 2230, 2231, 2233, 2234, 2235, 2236, 2237, 2239, 2240, 2241.	365	790029	Screw (Carburetor)	633	691321	Seal-Choke/Throttle Shaft (Throttle)
334	691061	Screw (Magneto Armature)	374	691074	Washer (Camshaft) Used on Type No(s). 2010, 2016, 2018, 2202, 2221.	635	66538S	Boot-Spark Plug (Slip On Style)
337	697451	Plug-Spark ----- Note ----- 802592s Plug-Spark Used on Type No(s). 1607, 2001, 2002, 2004, 2031, 2037, 2041, 2042, 2043, 2047, 2053, 2054, 2087, 2090, 2092, 2093, 2213, 2227, 2228, 2229, 2230, 2231, 2233, 2234, 2235, 2236, 2237, 2239, 2240, 2241.	383	89838S	Wrench-Spark Plug	643	691911	Retainer-Air Filter (Used Before Code Date 02101100).
			390	691839	Spring-Choke Diaphragm	668	692889	Spacer (Cylinder)
			393	691837	Screen-Carburetor	670	691633	Spacer-Fuel Tank
			394	795083	Diaphragm-Carburetor (Used After Code Date 07080800). ----- Note ----- 495770 Diaphragm-Carburetor (Used Before Code Date 07080900).	676	393756	Deflector-Muffler Used on Type No(s). 2046.
			426	691107	Screw (Governor Blade)	676A	393760	Deflector-Muffler Used on Type No(s). 2026, 2112, 2207, 2209.
			444	*691868	Gasket-Drive Gear Cover	677	690661	Screw (Muffler Deflector)
			455	691236	Cup-Flywheel	678	490817	Spacer-Rewind
			456	692299	Plate-Pawl Friction	689	691855	Spring-Friction
			459	281505S	Pawl-Ratchet	718	690959	Pin-Locating (Cylinder)
			523	692040	Dipstick	718A	499047	Pin-Locating (Crankshaft) (Used Before Code Date 08071400).
			523A	691913	Dipstick	721	690397	Stop-Shaft
			524	*691876	Seal-Dipstick Tube	724	697478	Retainer-Seal
			525	691320	Tube-Dipstick	729	690586	Clip-Wire
			529	692189	Grommet	741	796210	Gear-Timing (Used After Code Date 08071300).
			534	691417	Screw (Air Cleaner)	741A	691805	Gear-Timing (Used Before Code Date 08071400).
			535	698369	Filter-Air Cleaner Foam (Used After Code Date 02101000).			
			535A	272235S	Filter-Air Cleaner Foam (Used Before Code Date 02101100).			
			536	698472	Cleaner-Air			
			592	690800	Nut (Rewind Starter)			
			597	691696	Screw (Pawl Friction Plate)			

★ Engine Gasket Set-Reference 358

△ Valve Gasket Set-Reference 1095

Illustrations cover a range of engines. Parts shown without corresponding text may not be used on your specific engine.

09D900

REF. NO.	PART NO.	DESCRIPTION	REF. NO.	PART NO.	DESCRIPTION	REF. NO.	PART NO.	DESCRIPTION
743	691772	Gear-Drive (Counterclockwise) Used on Type No(s). 2010, 2016, 2202, 2221.	832C	790744	Guard-Muffler Used on Type No(s). 2018, 2020, 2026, 2037, 2041, 2045, 2046, 2238.	883	691880	Gasket-Exhaust
745	691146	Screw (Brake) (7/8" Long)	836	690664	Screw (Muffler Guard) (13/32" Long)	913	494409	Seat-Check Valve
745A	690859	Screw (Brake) (1/2" Long)	836A	790745	Screw (Muffler Guard) (1/2" Long)	921	699796	Cover-Blower Housing
772	691183	Screw (Linkage Cover) (3/4" Long) (Top) (Used Before Code Date 97071400).	836B	691125	Screw (Muffler Guard) (2/3" Long)	922	692135	Spring-Brake
772A	690345	Screw (Linkage Cover) (7/16" Long) (Front) (Used Before Code Date 97071400).	842	★691870	Seal-O Ring (Dipstick Tube)	922A	691809	Spring-Brake
772B	691111	Screw (Linkage Cover) (1 1/8" Long) (Front)	847	691440	Dipstick/Tube Assembly	923	691487	Brake
815	690324	Screw (Band Brake Pivot)	851	493880S	Terminal-Spark Plug	923A	394867	Brake
832	699299	Guard-Muffler (Super Lo Tone)	851A	692424	Terminal-Spark Plug	925	691349	Cover-Linkage (Used After Code Date 97071300).
832A	699670	Guard-Muffler (Round Lo Tone)	869	699641	Seat-Valve (Intake) (Used After Code Date 03080300).	930	691348	Guard-Rewind
832B	790743	Guard-Muffler Used on Type No(s). 2003, 2006, 2016, 2019, 2021, 2027, 2032, 2033, 2042, 2043, 2049, 2051, 2053, 2054, 2061, 2089, 2094, 2096, 2128, 2137, 2207, 2223, 2224, 2225, 2227, 2228, 2229, 2230, 2231, 2233, 2234, 2235, 2236, 2237, 2239, 2240, 2241.	870	699642	Seat-Valve (Exhaust) (Used After Code Date 03080300).	933	690428	Pivot-Band Brake
					----- Note ----- 691701 Seat-Valve (Intake) (Used Before Code Date 03080400).	957	497929S	Cap-Fuel Tank
					----- Note ----- 691702 Seat-Valve (Exhaust) (Used Before Code Date 03080400).	957A	791129	Cap-Fuel Tank Used on Type No(s). 2053.
					----- Note ----- 231348 Bushing-Valve Guide (Exhaust Valve) (Used Before Code Date 03080400).	969	692523	Screw (Blower Housing Cover) (2/3" Long)
					63709 Bushing-Valve Guide (Intake Valve)	976	694394	Primer-Carburetor
						994	398067	Arrestor-Spark Used on Type No(s). 2112, 2209.
						1036		Label-Emissions (Available From A Briggs & Stratton Authorized Dealer)
						1058	277038	Operator's Manual
						1095	498526	Gasket Set-Valve
						1143	691141	Screw (Drive Gear Cover)
						1208	690859	Screw (Brake Bracket)
						1210	499901	Pulley/Spring Assembly (Pulley)
						1211	499901	Pulley/Spring Assembly (Spring)
						1319	794467	Label-Warning
						1330	270962	Repair Manual

★ Engine Gasket Set-Reference 358

△ Valve Gasket Set-Reference 1095

Illustrations cover a range of engines. Parts shown without corresponding text may not be used on your specific engine.

