



OPTIONAL ATTACHMENTS & ACCESSORIES

Accessories

99944200200	SRM Shoulder Harness Kit
99944200675	U-Handle Kit
99944200685	U-Handle_Blade Conversion Combo Kit
SRAC-200	Tiller/Cultivator Attachment

Cutting Heads

215511	Pro Maxi-Cut Head
21560031	SRM ECHOmatic Pro Head
21560050	Semi-Auto Head Assembly
21560056	2-Line Rapid Loader Trimmer Head
21560060	SRM Manual Dual Line Head
99944200220	Heavy Duty Fixed Line Head
99944200221	3-Line Rapid Loader Head -- Echo
99944200250	SRM ECHOmatic II Head
99944200900	U-Turn Head

RePower Maintenance Kits

90074	Tune-Up Kit
-------	-------------

RePower Repair Kits

90010	Cap & Vent Kit
90105	Fuel System Kit

PARTS CATALOG

SRM-265S Trimmer

25.4cc

SERIAL NUMBERS

S/N: S73411001001 - S73411999999

ECHO, INCORPORATED

400 Oakwood Road Lake Zurich, Illinois 60047 USA

WWW.ECHO-USA.COM



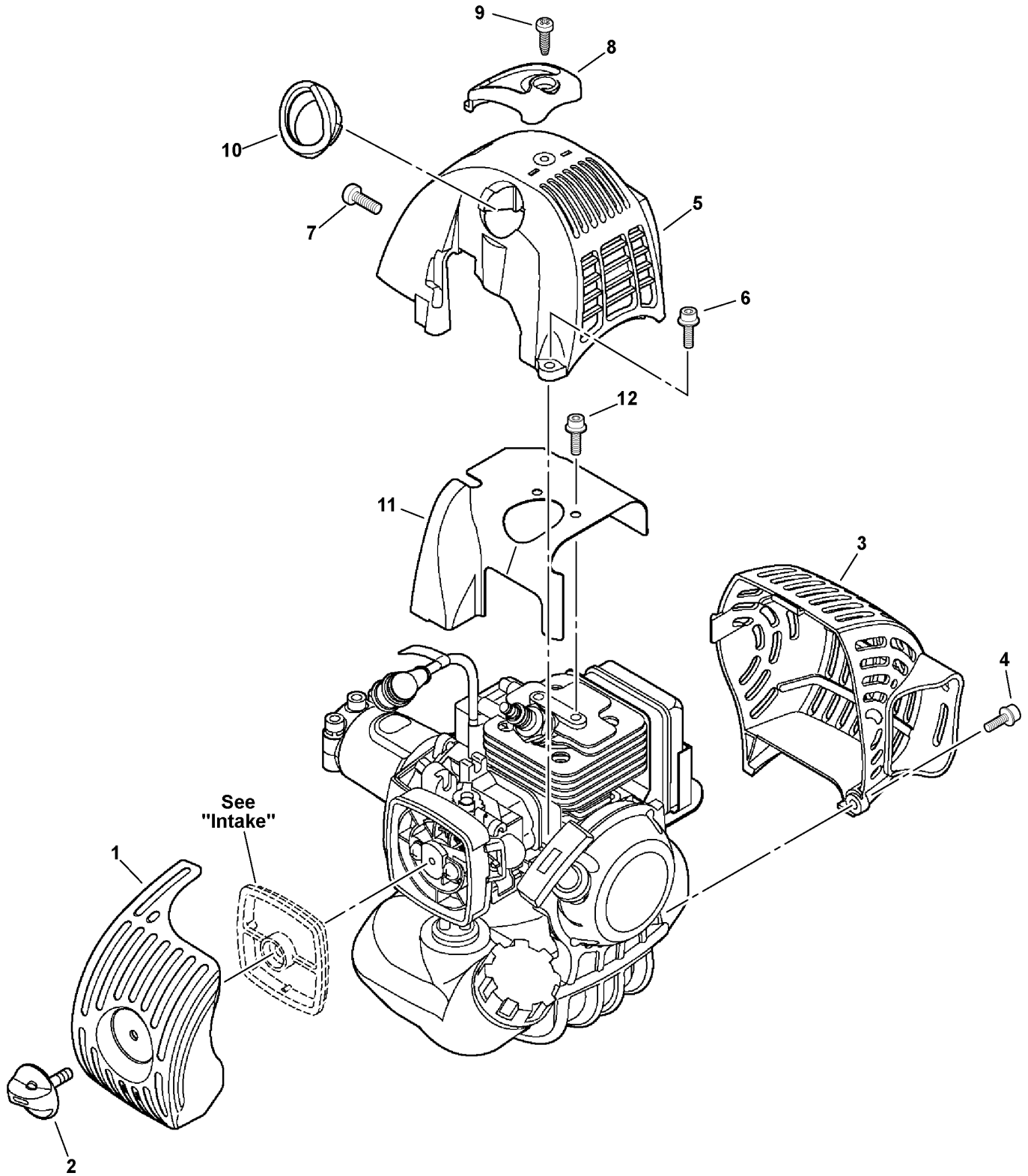
Table of Contents

Click Any Diagram Description Below To View That Diagram.

SRM-265S S/N: S73411001001 - S73411999999

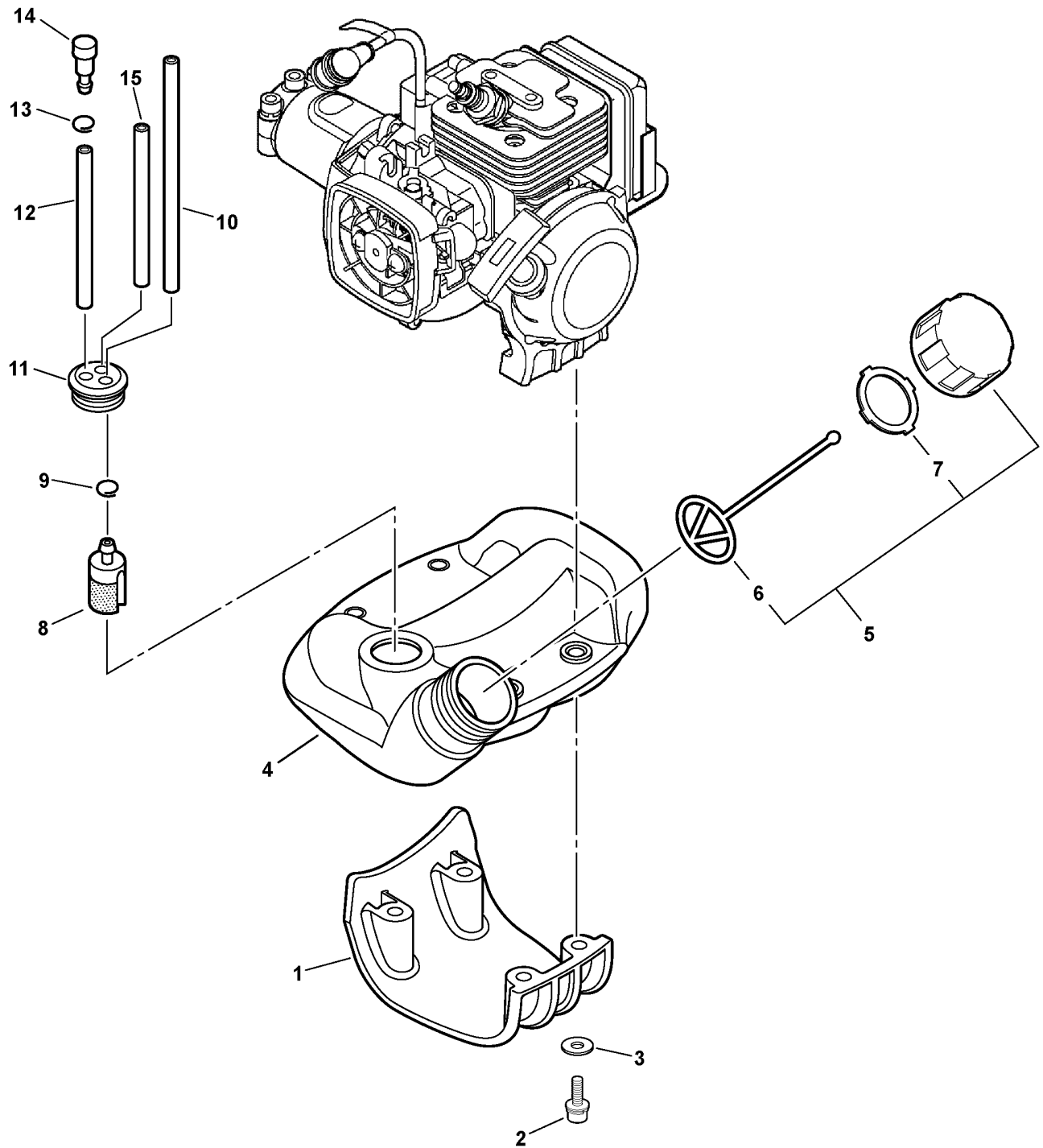
Covers.....	4
Fuel System.....	6
Fancase, Clutch.....	8
Starter -- i-30.....	10
Intake.....	12
Carburetor -- RB-K84.....	14
Exhaust.....	16
Ignition, Flywheel.....	18
Engine, Short Block -- SB1090.....	20
SRM ECHOMATIC Pro Head.....	22
Plastic Shield.....	24
Gear Case.....	26
Main Pipe, Solid Driveshaft.....	28
Handles, Throttle Control.....	30
Labels.....	32
Gasket Kit -- P021011000.....	34
Tools.....	36
Part Number Index.....	38
Part Description Index.....	39

This Page Intentionally Left Blank



001 0001 000

ITEM	PART NUMBER	QTY	DESCRIPTION	REMARKS
1	A232000330	1	LID, AIR CLEANER	
2	V299000250	1	THUMB SCREW	
3	A320000341	1	COVER, MUFFLER	
4	90010605014	1	SCREW 5X14	
5	A160000780	1	COVER, ENGINE	
6	90010605014	1	SCREW 5X14	
7	9114005012	1	BOLT	
8	A162000100	1	GUARD, TOP	
9	90025605016	1	SCREW 5X16	
10	A162000080	1	GUARD, TOP	
11	A160000691	1	COVER, CYLINDER	
12	90010605008	2	SCREW 5X8	

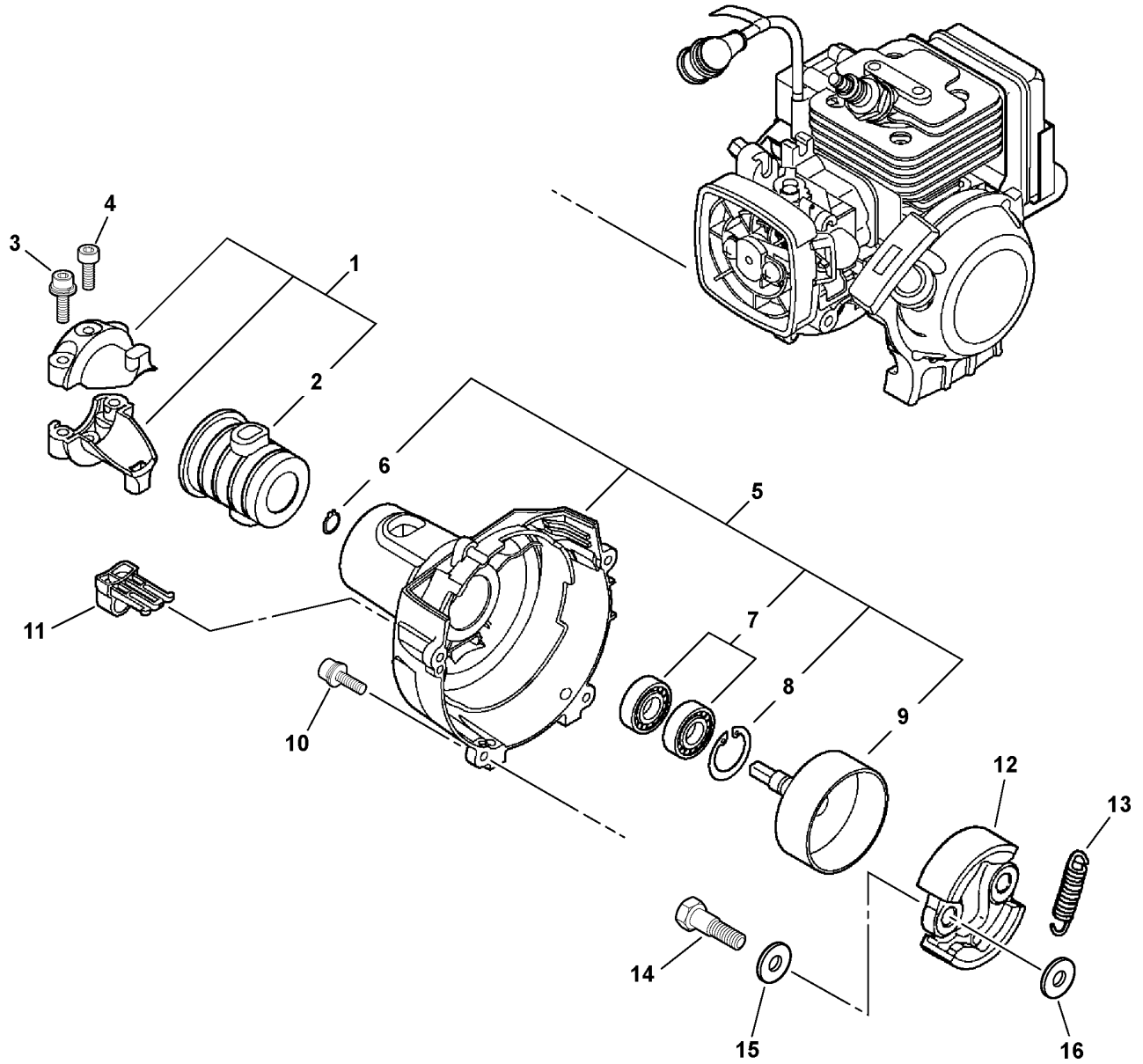


002 0002 00B

ITEM	PART NUMBER	QTY	DESCRIPTION	REMARKS
1	A175000030	1	STAND	
2	90016205025	4	SCREW 5X25	
3	90060300005	4	WASHER	
4	P021013640	1	TANK, FUEL	
5	13100455530	1	CAP ASY - ORANGE	INCLUDES ITEMS 6-7
6	13105156030	1	CONNECTOR, CAP	
7	13101655830	1	GASKET, CAP	
8	A369000000	1	FILTER, FUEL ¹	
9	13201309820	1	CLIP	
10	V470000580	1	PIPE, FUEL - 3X5X195mm	REPOWER BULK OPTION: 90014
11	13211555930	1	GROMMET	
12	V471001180	1	PIPE, VENT - 3X6X35mm	REPOWER BULK OPTION: 90015
13	13201326630	1	CLIP	
14	A356000030	1	VALVE, CHECK	
15	13201040830	1	PIPE, RETURN - 3X6X75mm	REPOWER BULK OPTION: 90017

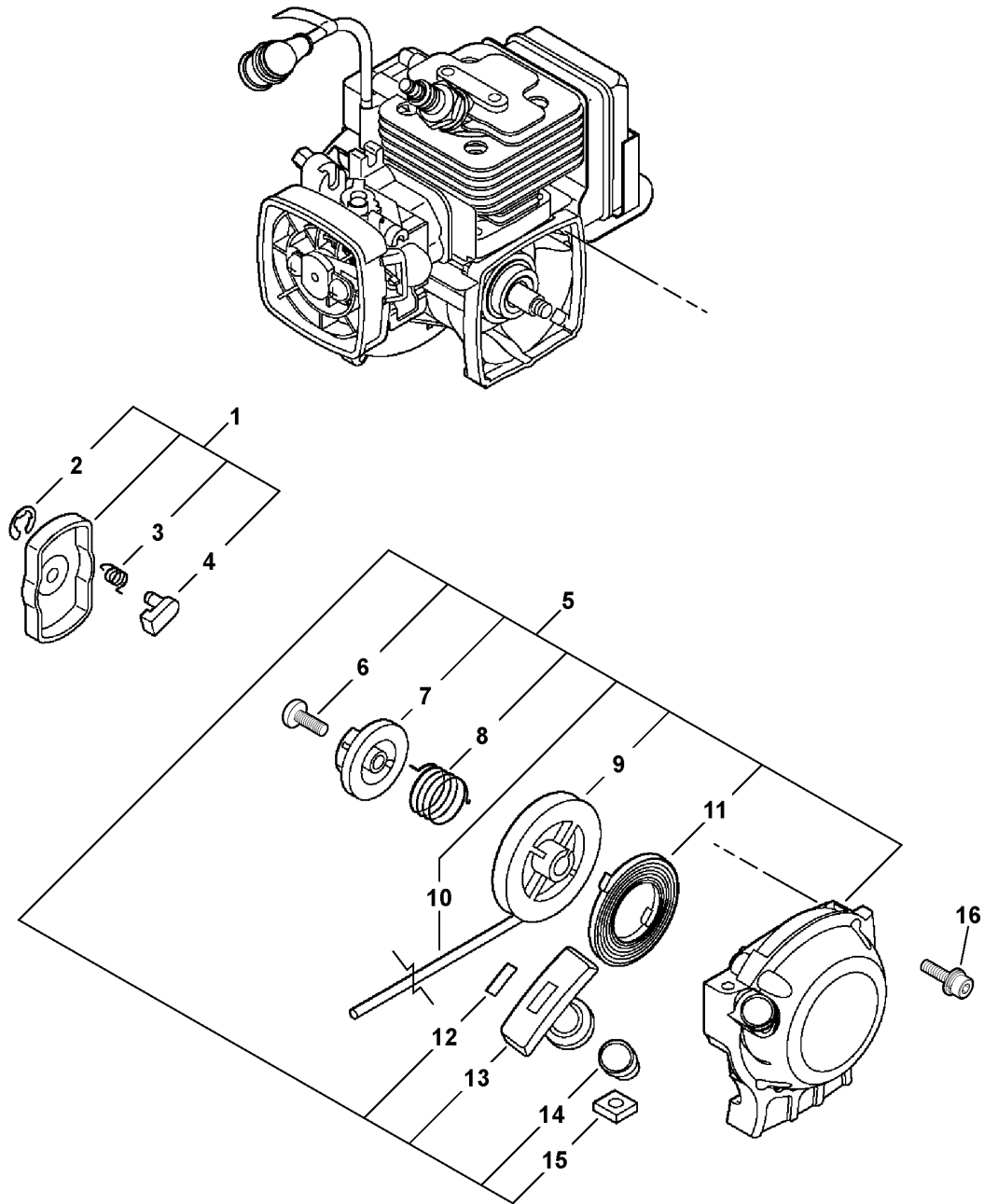
Footnotes

1: Also Included In REPOWER TUNE-UP KIT



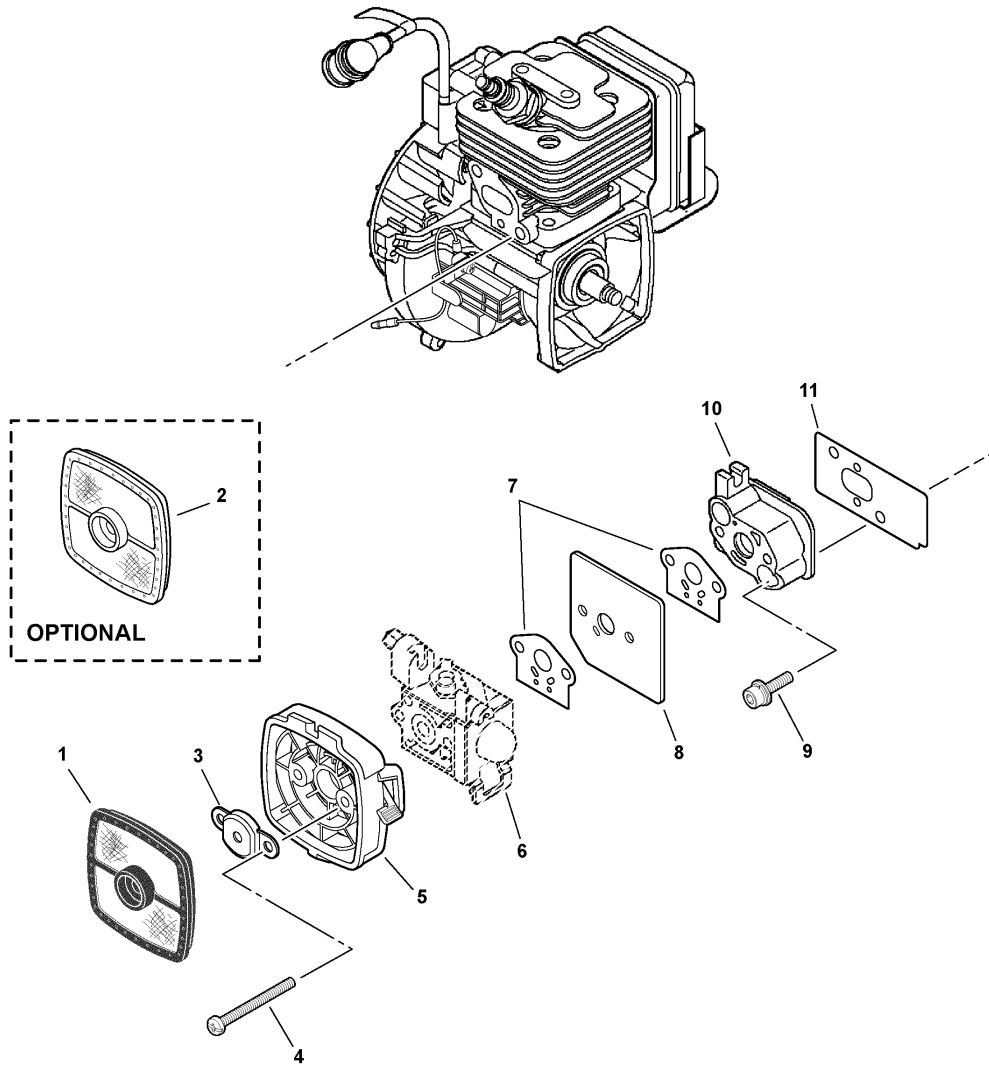
003 0001 00S

ITEM	PART NUMBER	QTY	DESCRIPTION	REMARKS
1	P021009380	1	MAIN PIPE FIXTURE KIT	INCLUDES ITEM 2
2	V420001081	1	CUSHION	
3	90016205025	2	SCREW 5X25	
4	90010505012	1	SCREW 5X12	
5	P021009810	1	FAN COVER ASY	INCLUDES ITEMS 6-9
6	90070100012	1	CIRCLIP 12	
7	90080796001	2	BEARING, BALL - 6001	
8	90070200028	1	SNAP RING 28	
9	A556000040	1	DRUM, CLUTCH	
10	90016304016	4	SCREW 4X16	
11	V491000180	1	CLIP	
12	A553000010	2	SHOE, CLUTCH	
13	V451000400	1	SPRING, CLUTCH	
14	17504656030	2	SHAFT, CLUTCH	
15	17504956030	2	WAVE WASHER	
16	17504805530	2	WASHER	



004 0001 000

ITEM	PART NUMBER	QTY	DESCRIPTION	REMARKS
1	A052000180	1	STARTER PULLEY ASY	INCLUDES ITEMS 2-4
2	P022002100	2	E-RING	
3	17723412220	2	SPRING, RETURN	
4	P022006850	2	PAWL	
5	A051000940	1	RECOIL STARTER ASY	INCLUDES ITEMS 6-15
6	17723661830	1	SCREW	
7	P022008280	1	PLATE, CAM	
8	P022008270	1	SPRING, DAMPER	
9	P022006830	1	PULLEY	
10	P022008260	1	ROPE, STARTER - 3X700mm	REPOWER BULK OPTION: 99944440000
11	17722042030	1	SPRING, REWIND	
12	17724611120	1	RETAINER	
13	17722827030	1	GRIP, STARTER	
14	17722742030	1	GUIDE, ROPE	
15	90056500005	4	NUT	
16	90016304016	4	SCREW 4X16	

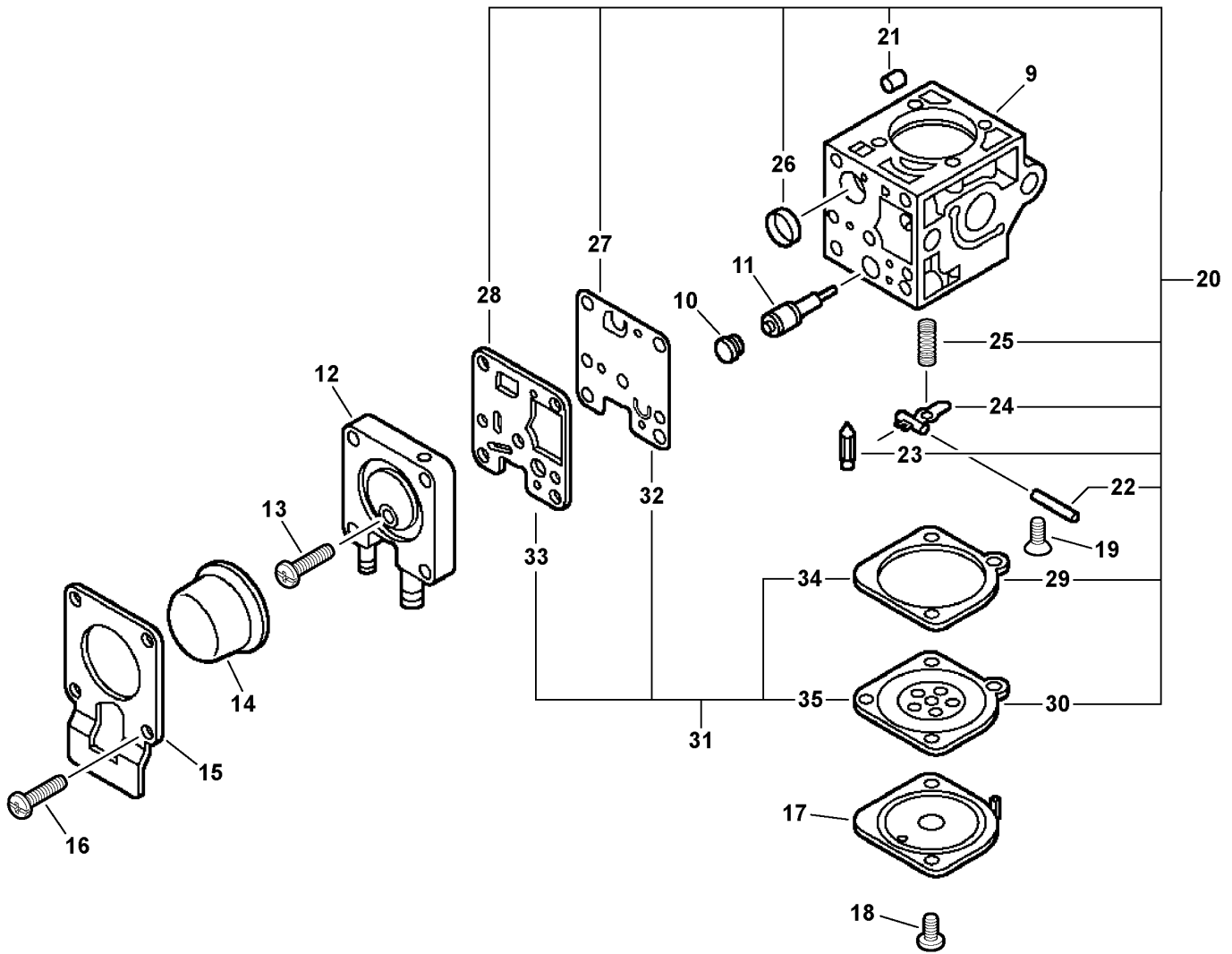
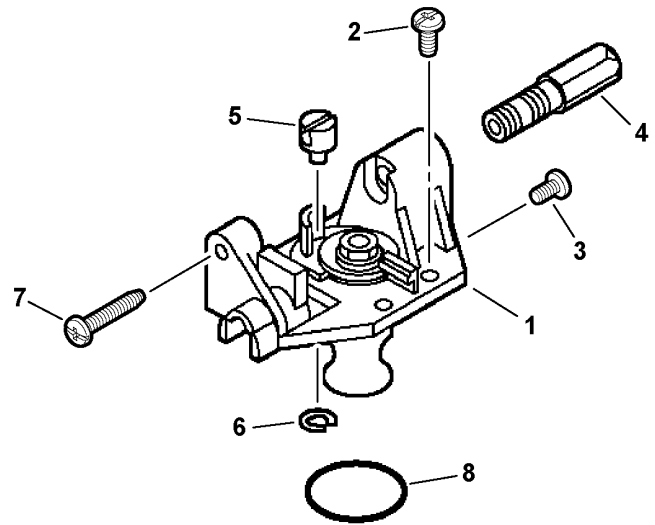


005 0001 000

ITEM	PART NUMBER	QTY	DESCRIPTION	REMARKS
1	A226001410	1	FILTER, AIR - DOUBLE LAYER ¹	
2	13031054130	1	FILTER, AIR - SINGLE LAYER ²	
3	12901152730	1	PLATE, PREVENT	
4	90024205065	2	SCREW 5X65	
5	P021004480	1	CASE, AIR CLEANER - BLACK	
6	-----	1	CARBURETOR	See Carburetor Diagram For Additional Information
7	V103000270	2	GASKET, INTAKE ³	
8	A209000140	1	PLATE, INSULATOR	
9	90016205025	2	SCREW 5X25	
10	A200000200	1	INSULATOR, INTAKE	
11	V103000210	1	GASKET, INTAKE ³	

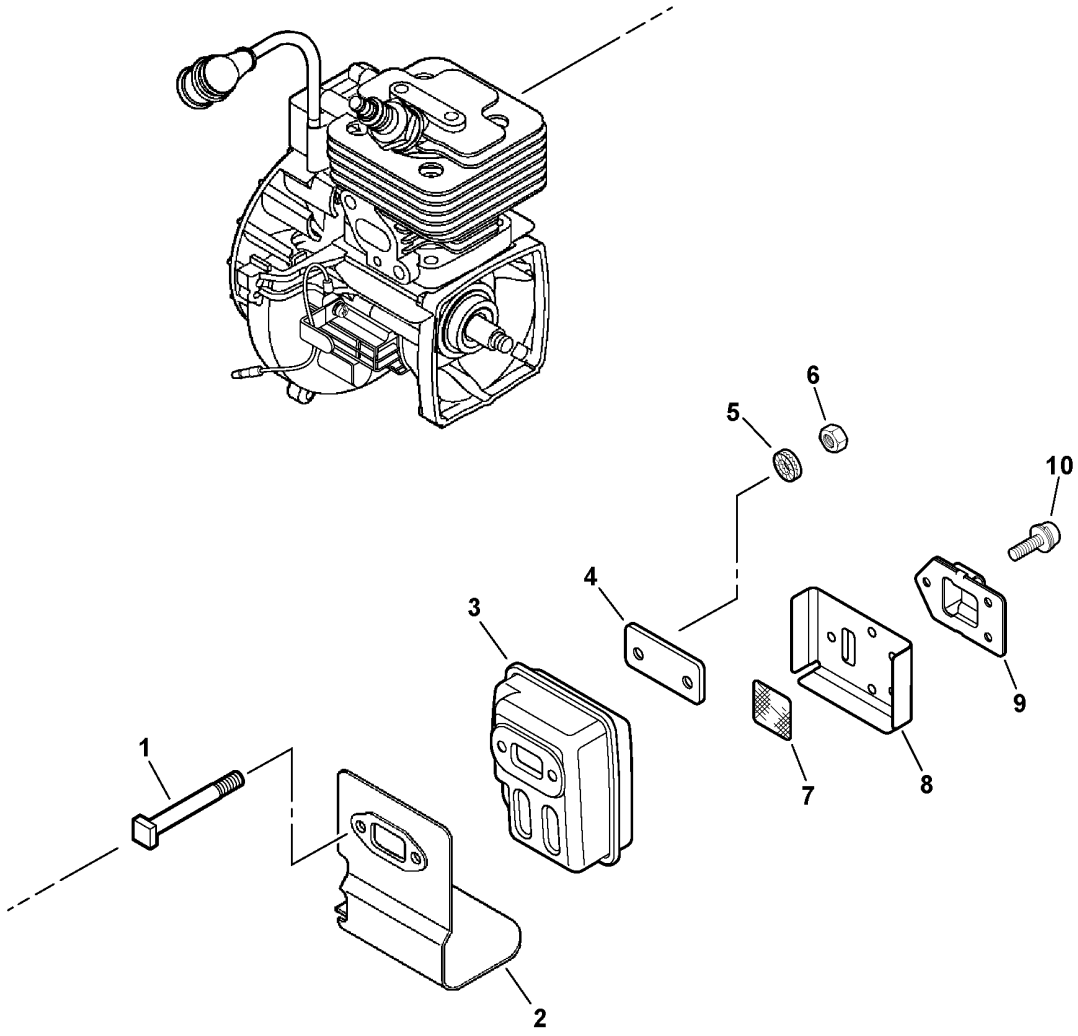
Footnotes

- 1:** OPTIONAL
- 2:** Also Included In REPOWER TUNE-UP KIT
- 3:** Also Included In GASKET KIT



RBK84 0000 000

ITEM	PART NUMBER	QTY	DESCRIPTION	REMARKS
	A021001200	1	CARBURETOR -- RB-K84	
1	P005001980	1	ROTOR COVER ASY	
2	12534413931	3	SCREW, ROTOR COVER ASY	
3	12534452130	1	SCREW	
4	P005001330	1	SCREW, CABLE ADJUST	
5	P005001240	1	SWIVEL	
6	P005000190	1	E-RING	
7	P005000100	1	SCREW, THROTTLE ADJUST	
8	P005000280	1	O-RING	
9	-----	1	BODY, CARBURETOR	NOT AVAILABLE SEPARATELY
10	P005001270	1	PLUG	
11	P005001290	1	NEEDLE - HIGH SPEED	
12	P005001890	1	PURGE BASE ASY	
13	P005000270	1	SCREW, PURGE BASE ASY	
14	12538108660	1	BULB, PURGE	
15	P005000250	1	RETAINER, PURGE BULB	
16	P005001900	4	SCREW, PURGE PUMP RETAINER	
17	12534252130	1	COVER, DIAPHRAGM	
18	12534452130	2	SCREW, DIAPHRAGM COVER	
19	12533942030	1	SCREW, METERING LEVER PIN	
20	P005001990	1	REPAIR KIT	INCLUDES ITEMS 21-30
21	P005001000	1	ROLLER, GUIDE	
22	-----	1	PIN, METERING LEVER	
23	-----	1	VALVE, INLET NEEDLE	
24	-----	1	LEVER, METERING	
25	-----	1	SPRING, METERING LEVER	
26	-----	1	STRAINER	
27	-----	1	DIAPHRAGM, PUMP	
28	-----	1	GASKET, PUMP	
29	-----	1	GASKET, METERING	
30	-----	1	DIAPHRAGM, METERING	
31	P005001660	1	DIAPHRAGM/GASKET KIT	INCLUDES ITEMS 32-35
32	-----	1	DIAPHRAGM, PUMP	
33	-----	1	GASKET, PUMP	
34	-----	1	GASKET, METERING	
35	-----	1	DIAPHRAGM, METERING	

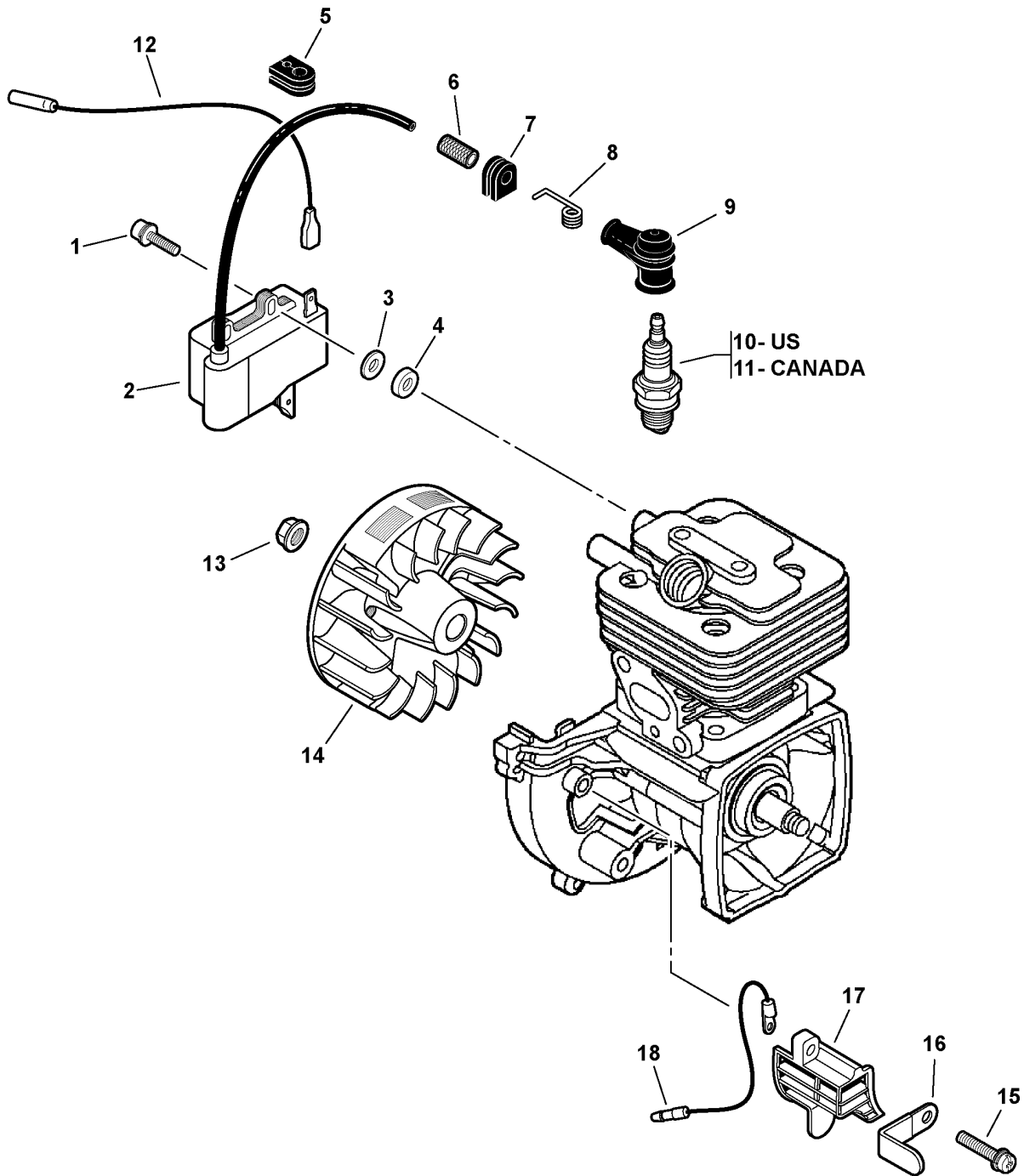


006 0001 000

ITEM	PART NUMBER	QTY	DESCRIPTION	REMARKS
1	V203000120	2	BOLT 5	
2	V104000780	1	SHIELD, EXHAUST ¹	
3	A300000670	1	MUFFLER	
4	V150001760	1	EYE PLATE	
5	9228005000	2	WASHER	
6	90050000005	2	NUT	
7	14586240630	1	SCREEN, MUFFLER	
8	V104000790	1	GASKET, EXHAUST ¹	
9	A313000830	1	GUIDE, EXHAUST	
10	9136704012	3	SCREW 4X12	

Footnotes

1: Also Included In GASKET KIT

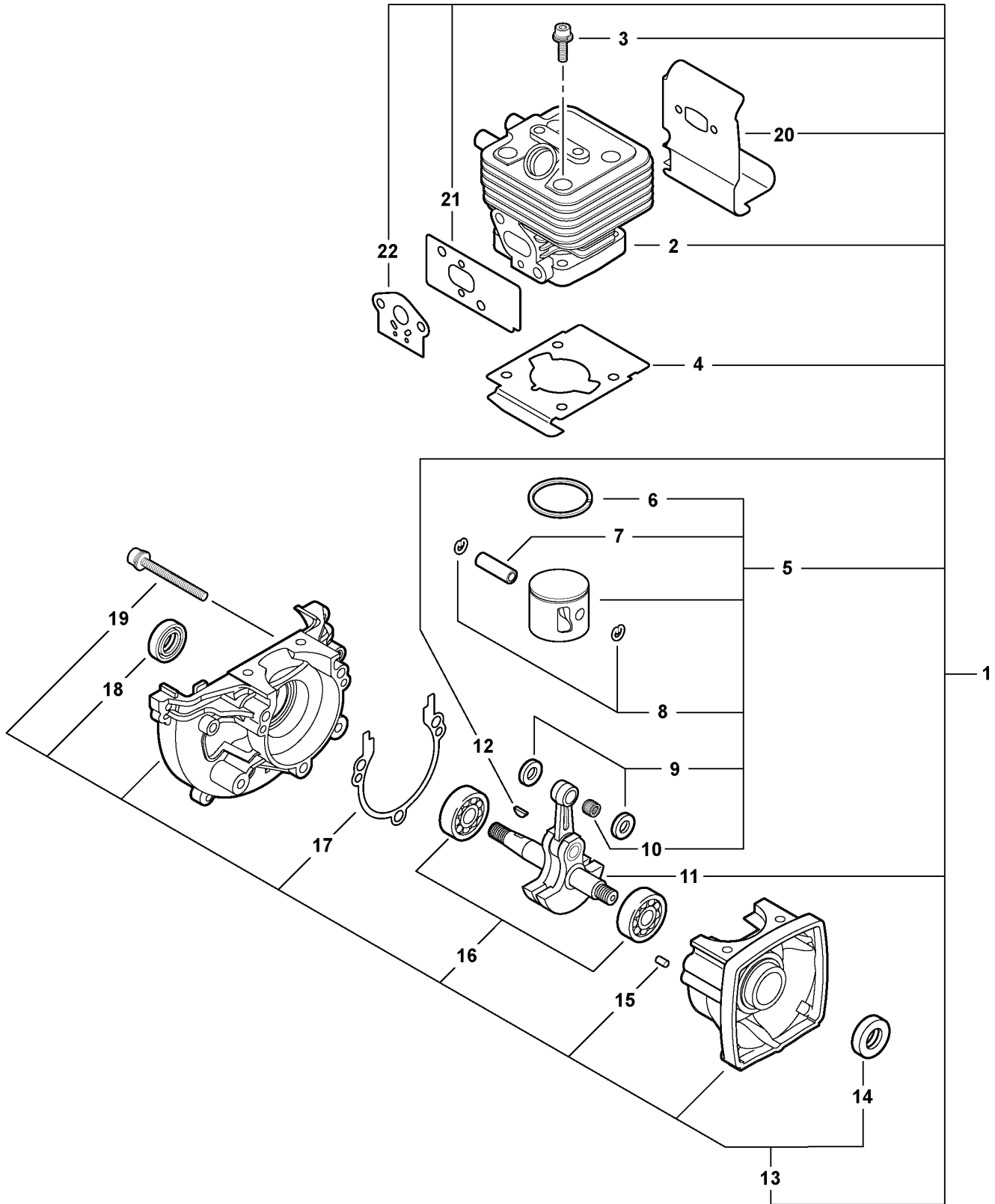


007 0001 000

ITEM	PART NUMBER	QTY	DESCRIPTION	REMARKS
1	V202000130	2	BOLT 4	
2	A411000250	1	COIL, IGNITION	
3	90060300004	2	WASHER	
4	V322000031	2	INSULATOR	
5	V135000030	1	GROMMET	
6	V475003380	1	INSULATOR	
7	15611004920	1	BUSHING	
8	A426000010	1	TERMINAL, SPARK PLUG CAP	
9	A427000013	1	CAP, SPARK PLUG	
10	15901019830	1	SPARK PLUG -- BPM-8Y ¹	
11	A425000000	1	SPARK PLUG -- BPMR-8Y ¹	CANADA MODELS
12	16201004561	1	LEAD, IGNITION	
13	90051500008	1	FLANGE NUT 8	
14	A409000310	1	FLYWHEEL	
15	90016205016	1	SCREW 5X16	
16	15911621231	1	CLAMP	
17	A127000160	1	COVER, DUST	
18	15663543130	1	LEAD, GROUND	

Footnotes

1: Also Included In REPOWER TUNE-UP KIT

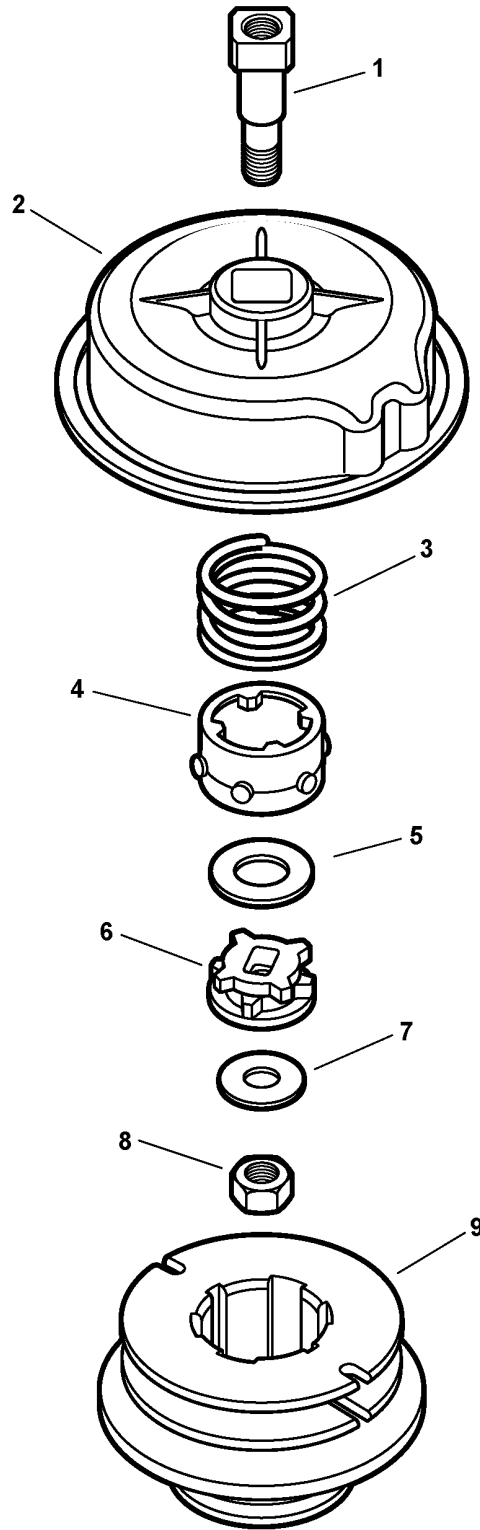


SB1090 0000 000

ITEM	PART NUMBER	QTY	DESCRIPTION	REMARKS
1	SB1090	1	SHORT BLOCK	INCLUDES ITEMS 2-22
2	A130000761	1	CYLINDER	
3	90016205025	4	SCREW 5X25	
4	V100000210	1	GASKET, CYLINDER ¹	
5	P021009771	1	PISTON KIT	INCLUDES ITEMS 6-10
6	A101000170	1	RING, PISTON	
7	10001335430	1	PIN, PISTON	
8	10001503931	2	CIRCLIP, PISTON PIN	
9	10001453630	2	SPACER, PISTON PIN	
10	10001216131	1	BEARING, NEEDLE	
11	A011000434	1	CRANKSHAFT ASY	
12	10014212330	1	WOODRUFF KEY	
13	P021010801	1	CRANKCASE KIT	INCLUDES ITEMS 14-19
14	V505000050	1	OILSEAL	
15	V622000020	2	DOWEL PIN	
16	9403536201	2	BEARING, BALL - 6201	
17	10024242030	1	GASKET, CRANKCASE ¹	
18	10021242031	1	OIL SEAL	
19	90016205028	3	SCREW 5X28	
20	-----	1	SHIELD, EXHAUST ¹	See Pages "Exhaust"
21	-----	1	GASKET, INTAKE ¹	See Pages "Intake"
22	-----	1	GASKET, INTAKE ¹	See Pages "Intake"

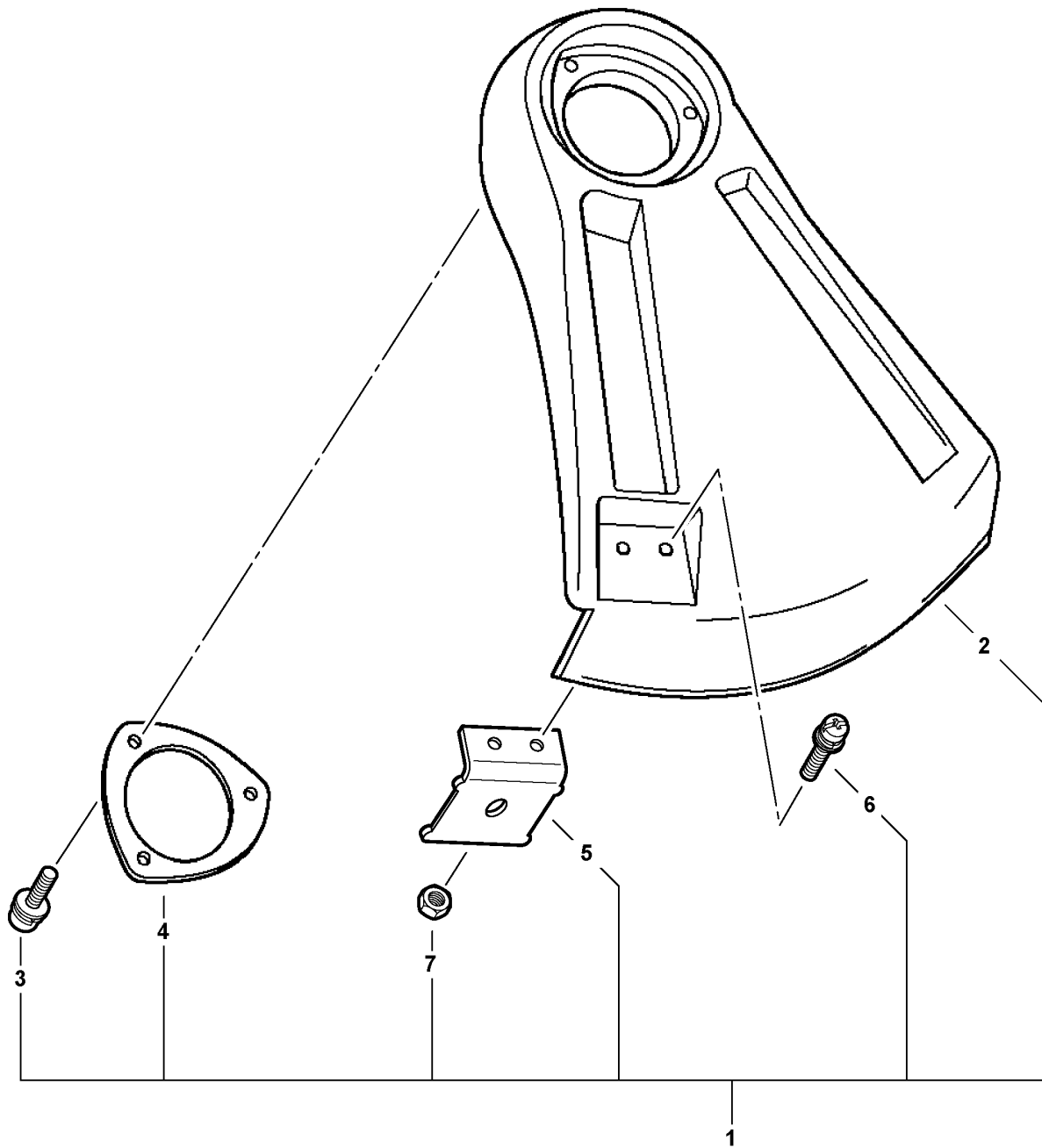
Footnotes

1: Also Included In GASKET KIT



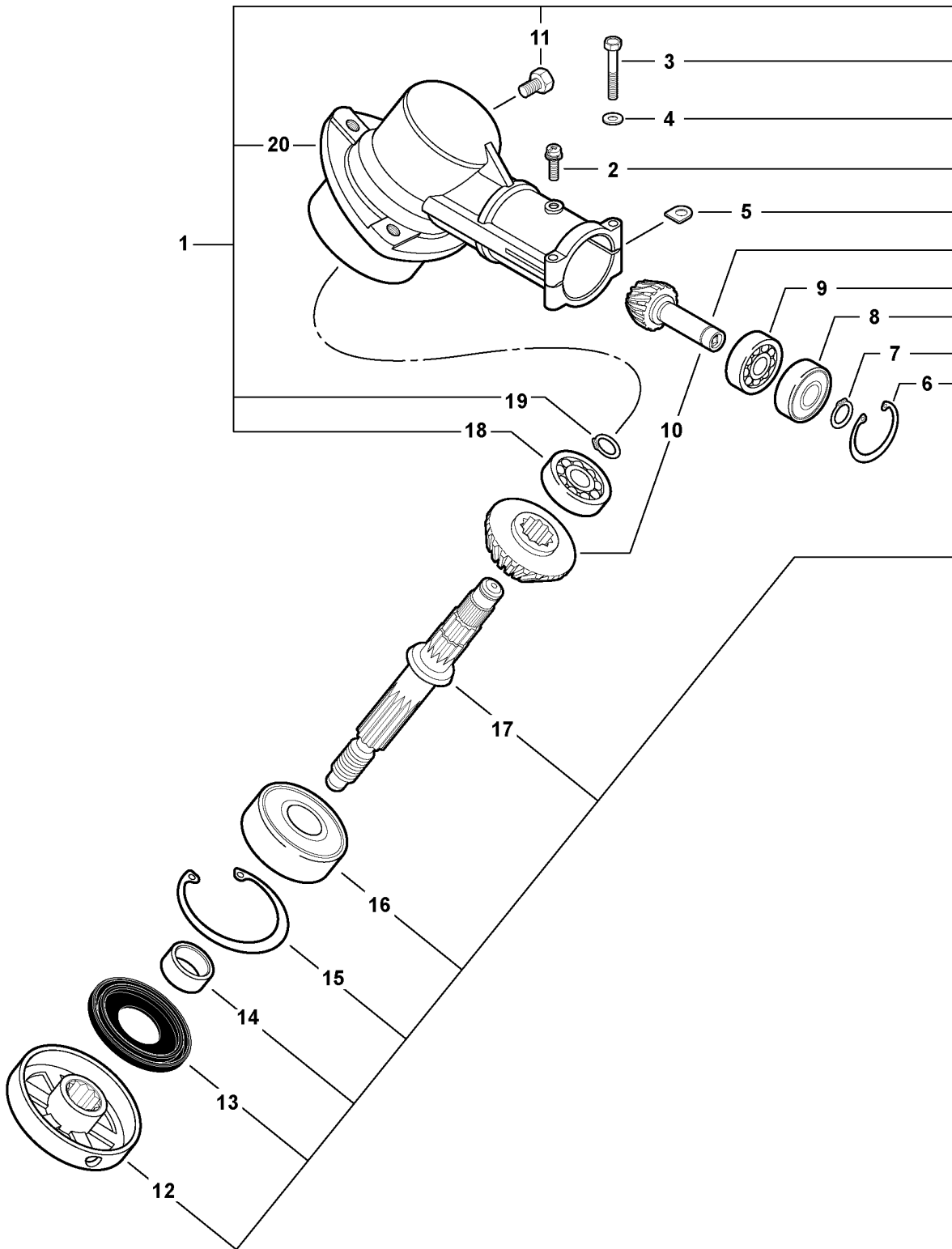
900 0002 000

ITEM	PART NUMBER	QTY	DESCRIPTION	REMARKS
	21560031		ECHOMATIC PRO HEAD ASSEMBLY	
1	P022006730	1	BOLT, SHAFT - 10mm	
2	P022021210	1	HOUSING	
3	P022006710	1	SPRING	
4	P022006760	1	DRIVER, OUTER	
5	P022006720	1	WASHER	
6	P022006750	1	CAM, INNER	
7	P022006700	1	WASHER	
8	P022006690	1	NUT	
9	P022006770	1	SPOOL	



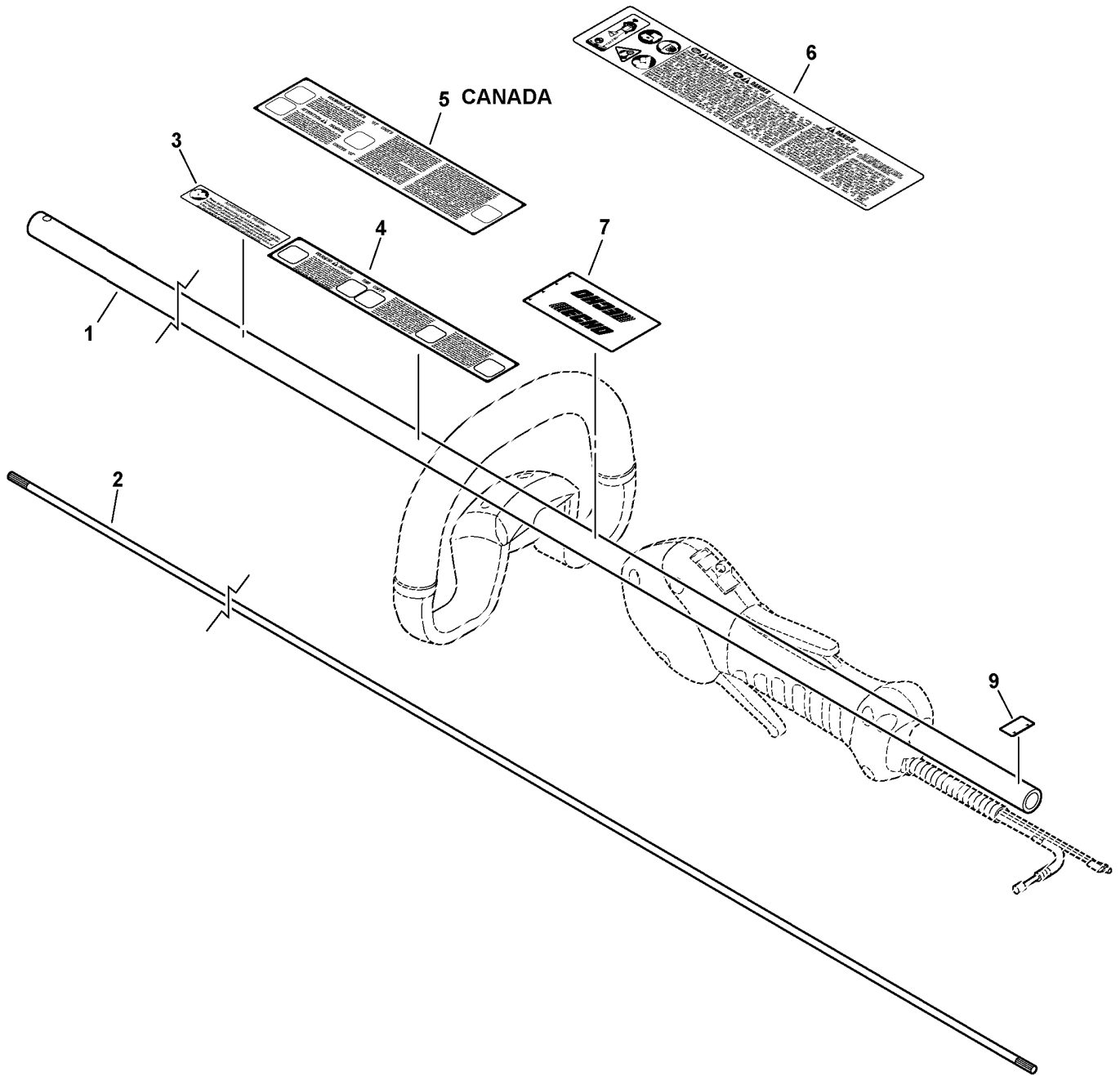
034 0001 000

ITEM	PART NUMBER	QTY	DESCRIPTION	REMARKS
1	P021001392	1	SHIELD KIT - PLASTIC	INCLUDES ITEMS 2-7
2	C550000031	1	SHIELD - PLASTIC	
3	90023805020	3	SCREW 5X20	
4	C552000110	1	PLATE, SHIELD	
5	69901644330	1	CUTTER, LINE	
6	90023805016	2	SCREW 5X16	
7	90050000005	2	NUT	



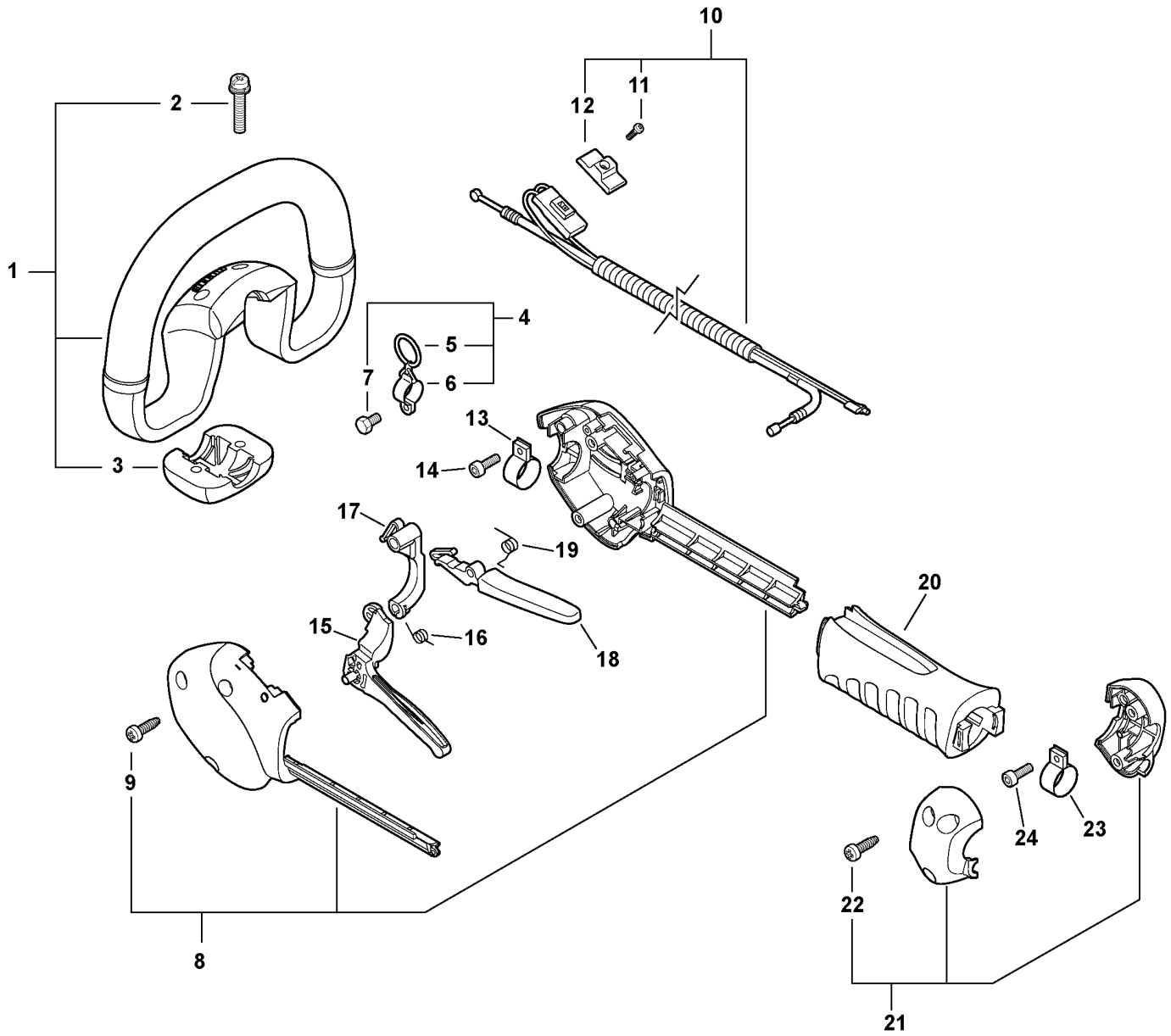
032 0002 00S

ITEM	PART NUMBER	QTY	DESCRIPTION	REMARKS
1	61040057732	1	GEAR CASE ASY	INCLUDES ITEMS 2-20
2	90024205010	1	SCREW 5X10	
3	90010005035	2	BOLT 5X35	
4	90060000005	2	WASHER	
5	61023904130	2	WASHER, SHIM	
6	90070200022	1	CIRCLIP 22	
7	90070600010	1	CIRCLIP 10	
8	90085806900	1	BEARING, BALL - 6900Z	
9	90085506900	1	BEARING, BALL - 6900	
10	61030040930	1	GEAR SET	
11	61043450031	1	BOLT 8X8	
12	61031347731	1	PLATE, ADAPTER (UPPER)	
13	61041307130	1	OIL SEAL	
14	61031507130	1	SPACER	
15	90070200032	1	CIRCLIP 32	
16	9403536201	1	BEARING, BALL - 6201	
17	61036008931	1	SHAFT, GEAR	
18	90080000609	1	BEARING, BALL - 609	
19	90070600012	1	CIRCLIP 12	
20	61046027431	1	HOUSING, GEAR	



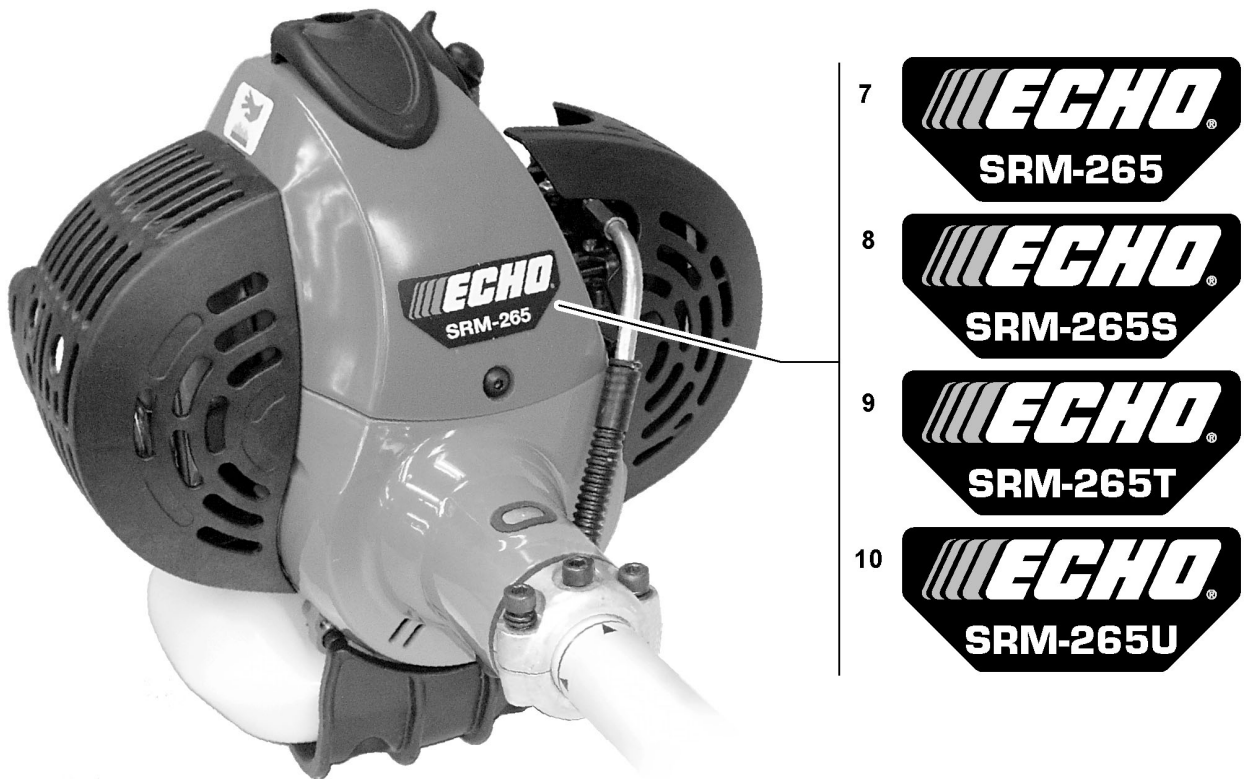
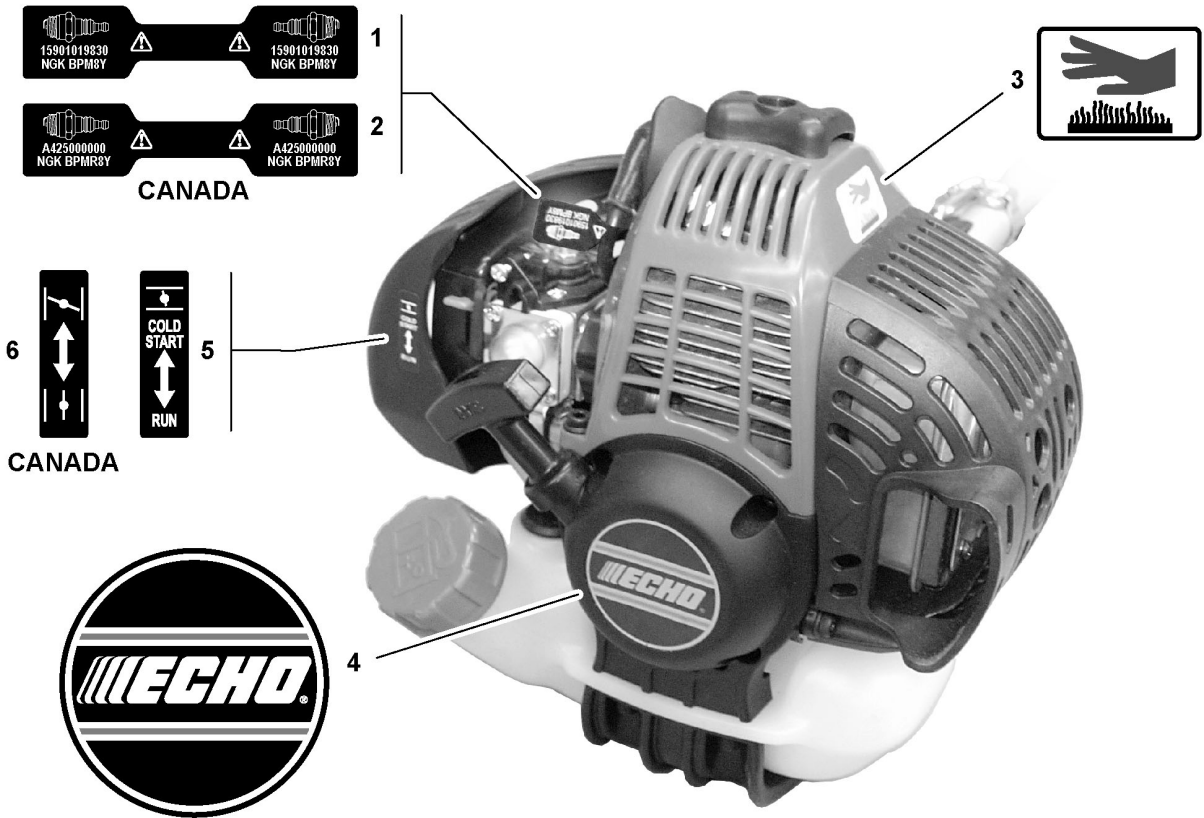
031 0002 00S

ITEM	PART NUMBER	QTY	DESCRIPTION	REMARKS
1	C050000540	1	PIPE, MAIN	
2	C504000050	1	DRIVESHAFT - SOLID	
3	89022809560	1	LABEL - CAUTION -- SPANISH	
4	89016054130	1	LABEL - CAUTION	
5	89031749030	1	LABEL - CAUTION	CANADA MODELS
6	X505002500	1	LABEL - CAUTION	REPLACES ITEMS 3-5
7	X505001930	1	LABEL - HANDLE LOCATION	
8	89015204930	1	LABEL - ALIGNMENT	



030 0001 000

ITEM	PART NUMBER	QTY	DESCRIPTION	REMARKS
1	P021008322	1	FRONT HANDLE KIT	INCLUDES ITEMS 2-3
2	90024205040	2	SCREW 5X40	
3	C423000190	1	FIXTURE, HANDLE	
4	C646000060	1	HARNESS HANGER KIT	INCLUDES ITEMS 5-7
5	30101505330	1	RING	
6	30120521330	1	CLAMP	
7	90010005012	1	BOLT 5X12	
8	P021009961	1	CONTROL HANDLE KIT	INCLUDES ITEM 9
9	88995021060	2	SCREW 4X22 - TAPPING	
10	V043000071	1	THROTTLE CABLE ASY	INCLUDES ITEMS 11-12
11	9154503010	1	SCREW 3X10	
12	A444000020	1	KNOB	
13	V495000680	1	CLAMP	
14	90016205020	1	SCREW 5X20	
15	C450000182	1	TRIGGER, THROTTLE	
16	V452000211	1	SPRING, TRIGGER RETURN	
17	C453000151	1	LOCKOUT, TRIGGER	
18	C460000050	1	LEVER, LOCKOUT	
19	V452000240	1	SPRING, LEVER RETURN	
20	C412000090	1	GRIP, HANDLE	
21	P021009970	1	HANDLE FIXTURE SET	INCLUDES ITEM 22
22	88995021060	2	SCREW 4X22 - TAPPING	
23	V495000680	1	CLAMP	
24	90016205020	1	SCREW 5X20	



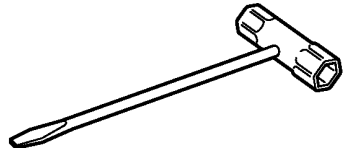
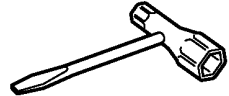
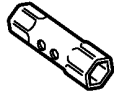

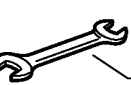

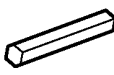







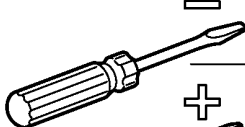
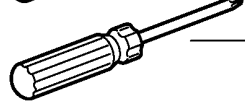
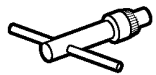
100 0047 000

ITEM	PART NUMBER	QTY	DESCRIPTION	REMARKS
1	X532000671	1	LABEL - SPARK PLUG -- BPM-8Y	
2	X532000720	1	LABEL - SPARK PLUG -- BPMR-8Y	CANADA MODELS
3	X505002310	1	LABEL - CAUTION -- HOT	
4	X502000310	1	LABEL - ECHO	
5	89012152730	1	LABEL - CHOKE	
6	89033252730	1	LABEL - CHOKE	CANADA MODELS
7	X547000350	1	LABEL - MODEL -- SRM-265	
8	X547000360	1	LABEL - MODEL -- SRM-265S	
9	X547000400	1	LABEL - MODEL -- SRM-265T	
10	X547000630	1	LABEL - MODEL -- SRM-265U	

Use Gasket Kit	Contains:	Service Number	Description
P021011000		10024242030	GASKET, CRANKCASE
		V100000210	GASKET, CYLINDER
		V103000210	SHIELD, INTAKE
		V103000270	GASKET, INTAKE
		V104000780	SHIELD, EXHAUST
		V104000790	GASKET, EXHAUST

300 0026 000

<u>ITEM</u>	<u>PART NUMBER</u>	<u>QTY</u>	<u>DESCRIPTION</u>	<u>REMARKS</u>
1	P021011000	1	GASKET KIT	

	1 - 89541010630 -- 17X19mm
	2 - X602000020 -- 17X19mm
	3 - 89541039131 -- 10X19mm
	4 - 89541006960 -- 13X19mm
	5 - X602000031 -- 17X14.5mm
	6 - 89751801131 -- 5X120mm
	7 - 89511200330 -- 8X10mm
	8 - 89512220960 -- 17X19mm
	9 - 89501505260 -- 10mm
	10 - 89541220960 -- 10mm
	11 - 89561203430 -- 3mm
	12 - 89561000130 -- 4mm
	13 - 89561100330 -- 5mm
	14 - X605000060 -- T27
	15 - 89581100130 -- 125mm
	16 - 89581203930 -- 50mm
	17 - 89757005560

Consult Your Owners Manual - Consulte a sus dueños manuales

200 0001 000

ITEM	PART NUMBER	QTY	DESCRIPTION	REMARKS
1	89541010630	1	SOCKET WRENCH/SCREWDRIVER	17X19mm
2	X602000020	1	SOCKET WRENCH/SCREWDRIVER	17X19mm
3	89541039131	1	SOCKET WRENCH/SCREWDRIVER	10X19mm
4	89541006960	1	SOCKET WRENCH/SCREWDRIVER	13X19mm
5	X602000031	1	SOCKET WRENCH	17X14.5mm
6	89751801131	1	LOCKING ROD	5X120mm
7	89511200330	1	OPEN END WRENCH	8X10mm
8	89512220960	1	OPEN END WRENCH	17X19mm
9	89501505260	1	OPEN END WRENCH	10mm
10	89541220960	1	HEX BAR	10mm
11	89561203430	1	HEX KEY	3mm
12	89561000130	1	HEX KEY	4mm
13	89561100330	1	HEX KEY	5mm
14	X605000060	1	TORX KEY	T27
15	89581100130	1	SCREWDRIVER	125mm SLOT HEAD
16	89581203930	1	SCREWDRIVER	50mm CROSS HEAD
17	89757005560	1	CHUCK KEY	



Part Number Index

Click The Page Number After Any Part Number To View The Diagram Containing That Part.

Part Number	Page	Part Number	Page	Part Number	Page	Part Number	Page
-----	13, 15, 21	90010505012	9	C646000060	31	X547000360	33
10001216131	21	90010605008	5	P005000100	15	X547000400	33
10001335430	21	90010605014	5	P005000190	15	X547000630	33
10001453630	21	90016205016	19	P005000250	15	X602000020	37
10001503931	21	90016205020	31	P005000270	15	X602000031	37
10014212330	21	90016205025	7, 9, 13, 21	P005000280	15	X605000060	37
10021242031	21	90016205028	21	P005001000	15		
10024242030	21	90016304016	9, 11	P005001240	15		
12533942030	15	90023805016	25	P005001270	15		
12534252130	15	90023805020	25	P005001290	15		
12534413931	15	90024205010	27	P005001330	15		
12534452130	15	90024205040	31	P005001660	15		
12538108660	15	90024205065	13	P005001890	15		
12901152730	13	90025605016	5	P005001900	15		
13031054130	13	90050000005	17, 25	P005001980	15		
13100455530	7	90051500008	19	P005001990	15		
13101655830	7	90056500005	11	P021001392	25		
13105156030	7	90060000005	27	P021004480	13		
13201040830	7	90060300004	19	P021008322	31		
13201309820	7	90060300005	7	P021009380	9		
13201326630	7	90070100012	9	P021009771	21		
13211555930	7	90070200022	27	P021009810	9		
14586240630	17	90070200028	9	P021009961	31		
15611004920	19	90070200032	27	P021009970	31		
15663543130	19	90070600010	27	P021010801	21		
15901019830	19	90070600012	27	P021011000	35		
15911621231	19	90080000609	27	P021013640	7		
16201004561	19	90080796001	9	P022002100	11		
17504656030	9	90085506900	27	P022006690	23		
17504805530	9	90085806900	27	P022006700	23		
17504956030	9	9114005012	5	P022006710	23		
17722042030	11	9136704012	17	P022006720	23		
17722742030	11	9154503010	31	P022006730	23		
17722827030	11	9228005000	17	P022006750	23		
17723412220	11	9403536201	21, 27	P022006760	23		
17723661830	11	A011000434	21	P022006770	23		
17724611120	11	A021001200	15	P022006830	11		
21560031	23	A051000940	11	P022006850	11		
30101505330	31	A052000180	11	P022008260	11		
30120521330	31	A101000170	21	P022008270	11		
61023904130	27	A127000160	19	P022008280	11		
61030040930	27	A130000761	21	P022021210	23		
61031347731	27	A160000691	5	SB1090	21		
61031507130	27	A160000780	5	V043000071	31		
61036008931	27	A162000080	5	V100000210	21		
61040057732	27	A162000100	5	V103000210	13		
61041307130	27	A175000030	7	V103000270	13		
61043450031	27	A200000200	13	V104000780	17		
61046027431	27	A209000140	13	V104000790	17		
69901644330	25	A226001410	13	V135000030	19		
88995021060	31	A232000330	5	V150001760	17		
89012152730	33	A300000670	17	V202000130	19		
89015204930	29	A313000830	17	V203000120	17		
89016054130	29	A320000341	5	V299000250	5		
89022809560	29	A356000030	7	V322000031	19		
89031749030	29	A369000000	7	V420001081	9		
89033252730	33	A409000310	19	V451000400	9		
89501505260	37	A411000250	19	V452000211	31		
89511200330	37	A425000000	19	V452000240	31		
89512220960	37	A426000010	19	V470000580	7		
89541006960	37	A427000013	19	V471001180	7		
89541010630	37	A444000020	31	V475003380	19		
89541039131	37	A553000010	9	V491000180	9		
89541220960	37	A556000040	9	V495000680	31		
89561000130	37	C050000540	29	V505000050	21		
89561100330	37	C412000090	31	V622000020	21		
89561203430	37	C423000190	31	X502000310	33		
89581100130	37	C450000182	31	X505001930	29		
89581203930	37	C453000151	31	X505002310	33		
89751801131	37	C460000050	31	X505002500	29		
89757005560	37	C504000050	29	X532000671	33		
90010005012	31	C550000031	25	X532000720	33		
90010005035	27	C552000110	25	X547000350	33		



Part Description Index

Click The Page Number After Any Part Description To View The Diagram Containing That Part.

<p>B</p> <p>BEARING, BALL - 6001.....9 BEARING, BALL - 609.....27 BEARING, BALL - 6201.....21, 27 BEARING, BALL - 6900.....27 BEARING, BALL - 6900Z.....27 BEARING, NEEDLE.....21 BODY, CARBURETOR.....15 BOLT.....5 BOLT 4.....19 BOLT 5.....17 BOLT 5X12.....31 BOLT 5X35.....27 BOLT 8X8.....27 BOLT, SHAFT - 10mm.....23 BULB, PURGE.....15 BUSHING.....19</p> <p>C</p> <p>CAM, INNER.....23 CAP ASY - ORANGE.....7 CAP, SPARK PLUG.....19 CARBURETOR.....13 CARBURETOR -- RB-K84.....15 CASE, AIR CLEANER - BLACK.....13 CHUCK KEY.....37 CIRCLIP 10.....27 CIRCLIP 12.....9, 27 CIRCLIP 22.....27 CIRCLIP 32.....27 CIRCLIP, PISTON PIN.....21 CLAMP.....19, 31 CLIP.....7, 9 COIL, IGNITION.....19 CONNECTOR, CAP.....7 CONTROL HANDLE KIT.....31 COVER, CYLINDER.....5 COVER, DIAPHRAGM.....15 COVER, DUST.....19 COVER, ENGINE.....5 COVER, MUFFLER.....5 CRANKCASE KIT.....21 CRANKSHAFT ASY.....21 CUSHION.....9 CUTTER, LINE.....25 CYLINDER.....21</p> <p>D</p> <p>DIAPHRAGM, METERING.....15 DIAPHRAGM, PUMP.....15 DIAPHRAGM/GASKET KIT.....15 DOWEL PIN.....21 DRIVER, OUTER.....23 DRIVESHAFT - SOLID.....29 DRUM, CLUTCH.....9</p> <p>E</p> <p>ECHOMATIC PRO HEAD ASSEMBLY.....23 E-RING.....11, 15 EYE PLATE.....17</p> <p>F</p> <p>FAN COVER ASY.....9</p>	<p>FILTER, AIR - DOUBLE LAYER.....13 FILTER, AIR - SINGLE LAYER.....13 FILTER, FUEL.....7 FIXTURE, HANDLE.....31 FLANGE NUT 8.....19 FLYWHEEL.....19 FRONT HANDLE KIT.....31</p> <p>G</p> <p>GASKET KIT.....35 GASKET, CAP.....7 GASKET, CRANKCASE.....21 GASKET, CYLINDER.....21 GASKET, EXHAUST.....17 GASKET, INTAKE.....13, 21 GASKET, METERING.....15 GASKET, PUMP.....15 GEAR CASE ASY.....27 GEAR SET.....27 GRIP, HANDLE.....31 GRIP, STARTER.....11 GROMMET.....7, 19 GUARD, TOP.....5 GUIDE, EXHAUST.....17 GUIDE, ROPE.....11</p> <p>H</p> <p>HANDLE FIXTURE SET.....31 HARNESS HANGER KIT.....31 HEX BAR.....37 HEX KEY.....37 HOUSING.....23 HOUSING, GEAR.....27</p> <p>I</p> <p>INSULATOR.....19 INSULATOR, INTAKE.....13</p> <p>K</p> <p>KNOB.....31</p> <p>L</p> <p>LABEL - ALIGNMENT.....29 LABEL - CAUTION.....29 LABEL - CAUTION -- HOT.....33 LABEL - CAUTION -- SPANISH.....29 LABEL - CHOKE.....33 LABEL - ECHO.....33 LABEL - HANDLE LOCATION.....29 LABEL - MODEL -- SRM-265.....33 LABEL - MODEL -- SRM-265S.....33 LABEL - MODEL -- SRM-265T.....33 LABEL - MODEL -- SRM-265U.....33 LABEL - SPARK PLUG -- BPM-8Y.....33 LABEL - SPARK PLUG -- BPMR-8Y.....33 LEAD, GROUND.....19 LEAD, IGNITION.....19 LEVER, LOCKOUT.....31 LEVER, METERING.....15 LID, AIR CLEANER.....5 LOCKING ROD.....37 LOCKOUT, TRIGGER.....31</p>	<p>M</p> <p>MAIN PIPE FIXTURE KIT.....9 MUFFLER.....17</p> <p>N</p> <p>NEEDLE - HIGH SPEED.....15 NUT.....11, 17, 23, 25</p> <p>O</p> <p>OIL SEAL.....21, 27 OILSEAL.....21 OPEN END WRENCH.....37 O-RING.....15</p> <p>P</p> <p>PAWL.....11 PIN, METERING LEVER.....15 PIN, PISTON.....21 PIPE, FUEL - 3X5X195mm.....7 PIPE, MAIN.....29 PIPE, RETURN - 3X6X75mm.....7 PIPE, VENT - 3X6X35mm.....7 PISTON KIT.....21 PLATE, ADAPTER (UPPER).....27 PLATE, CAM.....11 PLATE, INSULATOR.....13 PLATE, PREVENT.....13 PLATE, SHIELD.....25 PLUG.....15 PULLEY.....11 PURGE BASE ASY.....15</p> <p>R</p> <p>RECOIL STARTER ASY.....11 REPAIR KIT.....15 RETAINER.....11 RETAINER, PURGE BULB.....15 RING.....31 RING, PISTON.....21 ROLLER, GUIDE.....15 ROPE, STARTER - 3X700mm.....11 ROTOR COVER ASY.....15</p> <p>S</p> <p>SCREEN, MUFFLER.....17 SCREW.....11, 15 SCREW 3X10.....31 SCREW 4X12.....17 SCREW 4X16.....9, 11 SCREW 4X22 - TAPPING.....31 SCREW 5X10.....27 SCREW 5X12.....9 SCREW 5X14.....5 SCREW 5X16.....5, 19, 25 SCREW 5X20.....25, 31 SCREW 5X25.....7, 9, 13, 21 SCREW 5X28.....21 SCREW 5X40.....31 SCREW 5X65.....13 SCREW 5X8.....5 SCREW, CABLE ADJUST.....15 SCREW, DIAPHRAGM COVER.....15</p>
--	--	---



Part Description Index (continued)

SCREW, METERING LEVER PIN.....15
 SCREW, PURGE BASE ASY.....15
 SCREW, PURGE PUMP RETAINER.....15
 SCREW, ROTOR COVER ASY.....15
 SCREW, THROTTLE ADJUST.....15
 SCREWDRIVER.....37
 SHAFT, CLUTCH.....9
 SHAFT, GEAR.....27
 SHIELD - PLASTIC.....25
 SHIELD KIT - PLASTIC.....25
 SHIELD, EXHAUST.....17, 21
 SHOE, CLUTCH.....9
 SHORT BLOCK.....21
 SNAP RING 28.....9
 SOCKET WRENCH.....37
 SOCKET WRENCH/SCREWDRIVER.....37
 SPACER.....27
 SPACER, PISTON PIN.....21
 SPARK PLUG -- BPM-8Y.....19
 SPARK PLUG -- BPMR-8Y.....19
 SPOOL.....23
 SPRING.....23
 SPRING, CLUTCH.....9
 SPRING, DAMPER.....11
 SPRING, LEVER RETURN.....31
 SPRING, METERING LEVER.....15
 SPRING, RETURN.....11
 SPRING, REWIND.....11
 SPRING, TRIGGER RETURN.....31
 STAND.....7
 STARTER PULLEY ASY.....11
 STRAINER.....15
 SWIVEL.....15

T

TANK, FUEL.....7
 TERMINAL, SPARK PLUG CAP.....19
 THROTTLE CABLE ASY.....31
 THUMB SCREW.....5
 TORX KEY.....37
 TRIGGER, THROTTLE.....31

V

VALVE, CHECK.....7
 VALVE, INLET NEEDLE.....15

W

WASHER.....7, 9, 17, 19, 23, 27
 WASHER, SHIM.....27
 WAVE WASHER.....9
 WOODRUFF KEY.....21

NOTES



ECHO, INCORPORATED

400 Oakwood Road
Lake Zurich, IL 60047 USA

WWW.ECHO-USA.COM
