

ES

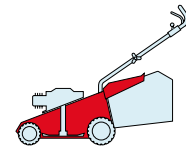
464

TR

ESL

534

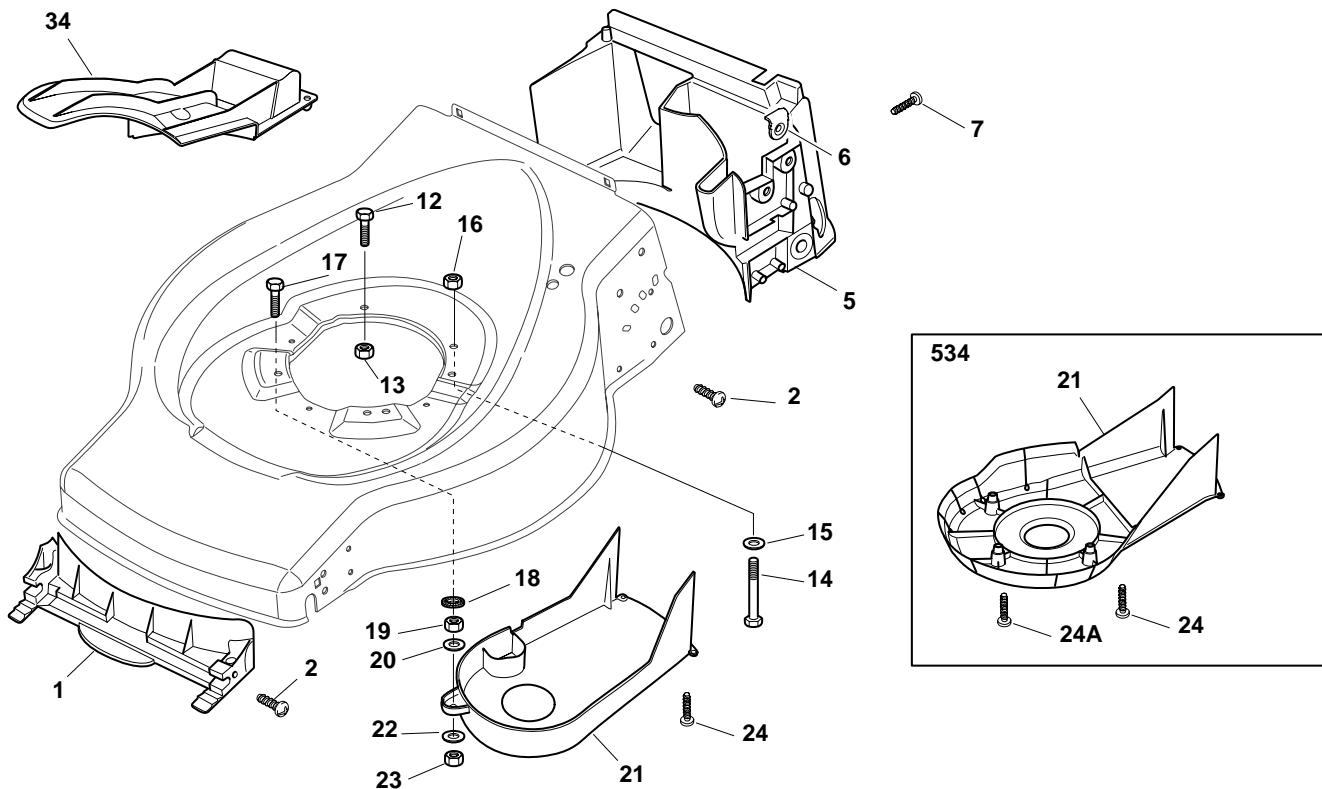
TR-E



2009

32_001

1 / 1



| POS. | CODE | Q.TY | DESCRIZIONE | DESCRIPTION | DESCRIPTION | BESCHREIBUNG | REMARKS |
|------|-------------|------|---------------------|---------------------|----------------------|-----------------------|--------------------------------|
| 1 | 22108271/0 | 1 | Convogl. Anteriore | Front Conveyor Assy | Ens. Convoyeur Avant | Hinterleitblechvorder | |
| 2 | 12728686/0 | 6 | Vite | Screw | Vis | Schraube | |
| 5 | 22108272/2 | 1 | Convogl. Posteriore | Rear Conveyor Assy | Ens. Convoyeur Post. | Hinterleitblechsatz | |
| 6 | 322545189/0 | 4 | Piastrina | Plate | Plaquette | Plättchen | |
| 7 | 12728686/0 | 2 | Vite | Screw | Vis | Schraube | |
| 12 | 12793701/0 | 2/1 | Vite | Screw | Vis | Schraube | |
| 13 | 12293201/0 | 2/1 | Dado | Nut | Ecrou | Mutter | |
| 14 | 12691800/0 | 0/1 | Vite | Screw | Vis | Schraube | (B&S Quantum) |
| 15 | 12521350/0 | 0/1 | Rosetta | Washer | Rondelle | Scheibe | (B&S Quantum) |
| 16 | 12155000/0 | 0/1 | Dado | Nut | Ecrou | Mutter | (B&S Quantum) |
| 17 | 12793801/0 | 0/1 | Vite | Screw | Vis | Schraube | (B&S Quantum) |
| 17 | 12775000/0 | 0/1 | Vite | Screw | Vis | Schraube | (B&S Classic/Sprint/ Ls/Lc) |
| 17 | 12691115/0 | 0/1 | Vite | Screw | Vis | Schraube | (GGP) |
| 18 | 12540060/0 | 1 | Rosetta | Washer | Rondelle | Scheibe | |
| 19 | 12293200/0 | 1 | Dado | Nut | Ecrou | Mutter | |
| 20 | 22671651/0 | 1 | Rosetta | Washer | Rondelle | Scheibe | |
| 21 | 22060212/0 | 1 | Carter Cinghia | Protection, Belt | Protection Courroie | Schutz, Riemen | 464 |
| 21 | 322060222/0 | 1 | Carter Cinghia | Protection, Belt | Protection Courroie | Schutz, Riemen | 534 |
| 23 | 12155000/0 | 1 | Dado | Nut | Ecrou | Mutter | |
| 24 | 12728686/0 | 2 | Vite | Screw | Vis | Schraube | |
| 24A | 12728530/0 | 2 | Vite | Screw | Vis | Schraube | 534 |
| 22 | 25670011/0 | 1 | Rosetta | Washer | Rondelle | Scheibe | |
| 34 | 22140226/0 | 1 | Deflettore | Deflector | Deflecteur | Deflektor | 464 |
| 34 | 322140233/0 | 1 | Deflettore | Deflector | Deflecteur | Deflektor | 534 |

ES

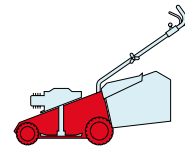
464

TR

ESL

534

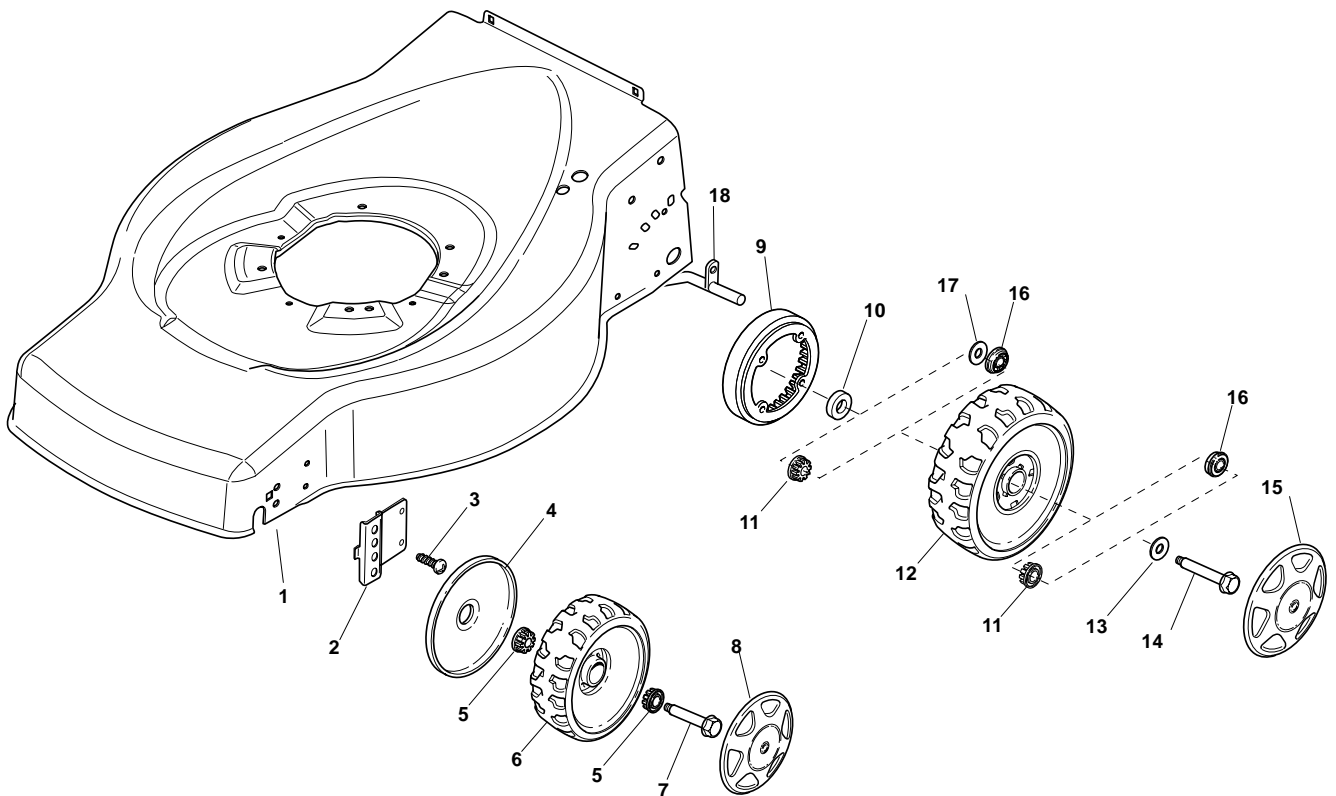
TR-E



2009

32_002

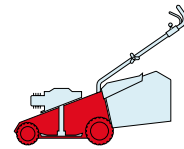
1 / 1



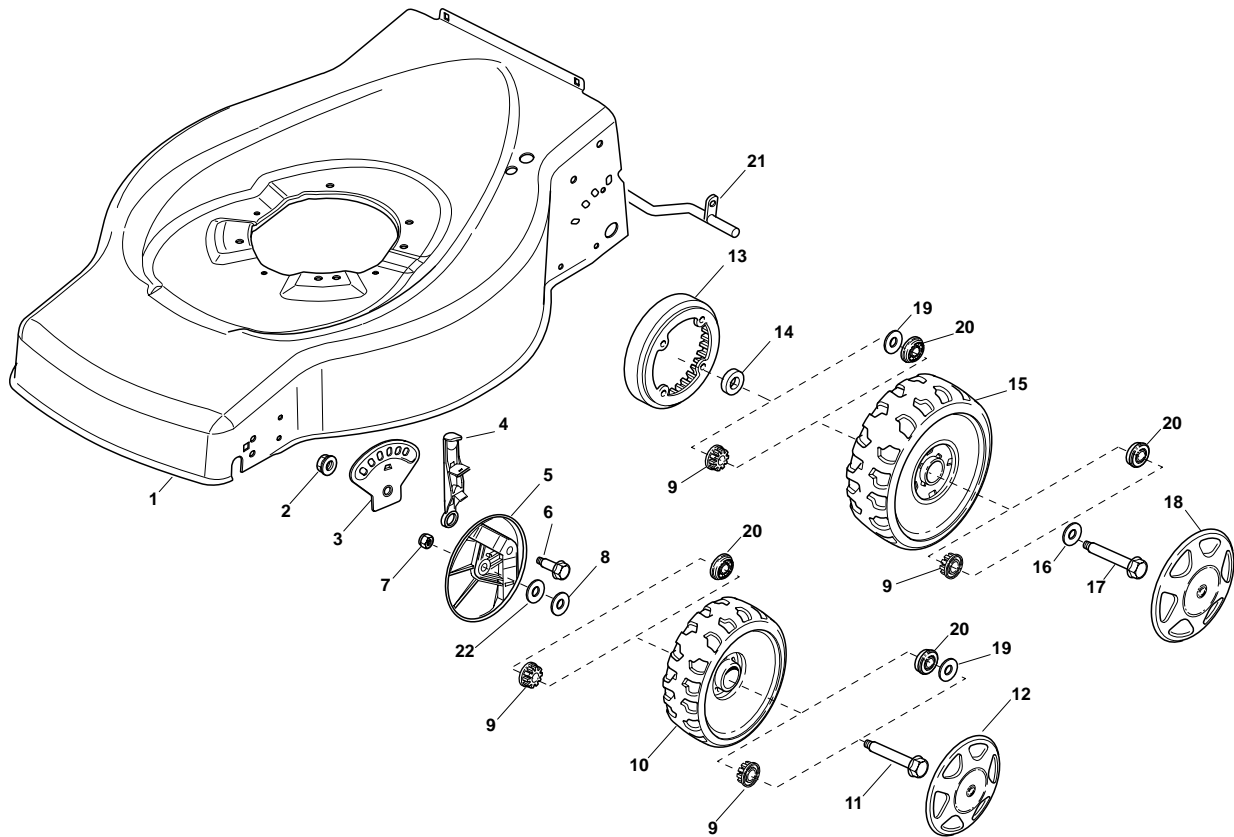
| POS. | CODE | Q.TY | DESCRIZIONE | DESCRIPTION | DESCRIPTION | BESCHREIBUNG | REMARKS |
|------|-------------|------|-----------------------|-------------------|-------------------|------------------|-------------------|
| 1 | 81002652/0 | 1 | Chassis Rosso | Deck Red | Châssis Rouge | Gehäuse Rot | 464 |
| 1 | 381003703/0 | 1 | Chassis Rosso | Deck Red | Châssis Rouge | Gehäuse Rot | 534 |
| 2 | 22551523/0 | 2 | Piastra Anteriore | Plate, Front | Plaque Antérieure | Platte, Vorder | |
| 3 | 12728686/0 | 4 | Vite | Screw | Vis | Schraube | |
| 4 | 22600095/0 | 2 | Protezione | Protection | Protection | Schutz | |
| 5 | 22034515/1 | 4 | Bussola | Bush | Douille | Buchse | |
| 6 | 22686091/1 | 2 | Ruota Ø 165 | Wheel Ø 165 | Roue Ø 165 | Rad Ø 165 | |
| 7 | 22524340/0 | 2 | Perno | Pin | Pivot | Bolzen | |
| 8 | - | 2 | Coprismozzo | Hub Cap | Couvre-Moyeu | Radkappe | (See Enclosure 1) |
| 9 | 22120109/0 | 2 | Ruota Dentata | Sprocket | Couronne | Zahnkettenrad | |
| 10 | 22170622/0 | 2 | Distanziale | Spacer | Entretoise | Distanzring | |
| 11 | 22034508/0 | 4 | Bussola | Bush | Douille | Buchse | |
| 12 | 22686093/0 | 2 | Ruota Ø 190 | Wheel Ø 190 | Roue Ø190 | Rad Ø 190 | |
| 13 | 12523050/0 | 2 | Rosetta | Washer | Rondelle | Scheibe | |
| 14 | 12735599/0 | 2 | Vite | Screw | Vis | Schraube | |
| 15 | - | 2 | Coprismozzo | Hub Cap | Couvre-Moyeu | Radkappe | (See Enclosure 2) |
| 16 | 22122200/0 | 4 | Cuscinetto | Bearing | Coussinet | Lager | |
| 17 | 22675100/0 | 2 | Rosetta | Washer | Rondelle | Scheibe | |
| 18 | 22033393/0 | 1 | Asse Ruote Posteriori | Axle, Rear Wheels | Axe Roues Arriere | Achse, Hinterrad | |

ES
464
TR

ESL
534
TR-E



2009
32_003
1 / 1



| POS. | CODE | Q.TY | DESCRIZIONE | DESCRIPTION | DESCRIPTION | BESCHREIBUNG | REMARKS |
|------|-------------|------|--------------------------|---------------------------|------------------------|-------------------------|-------------------|
| 1 | 81002538/0 | 1 | Chassis Rosso | Deck Red | Châssis Rouge | Gehäuse Rot | 464 |
| 1 | 381003703/0 | 1 | Chassis Rosso | Deck Red | Châssis Rouge | Gehäuse Rot | 534 |
| 2 | 22131750/0 | 2 | Dado | Nut | Ecrou | Mutter | |
| 3 | 22735557/0 | 2 | Settore Di Regolazione | Sector, Height Adjustment | Secteur Reglage | Sektor, Höheverstellung | |
| 4 | 81003306/0 | 2 | Leva Regolazione Altezza | Lever, Height Adjustment | Levier Reglage Hauteur | Hebel, Höneverstellung | |
| 5 | 322600170/0 | 2 | Prot. Ruote | Protection, Wheel | Protection Roue | Schütz, Räder | |
| 6 | 22524324/0 | 2 | Perno | Pin | Pivot | Bolzen | |
| 7 | 12155000/0 | 2 | Dado | Nut | Ecrou | Mutter | |
| 8 | 25670011/0 | 2 | Rosetta | Washer | Rondelle | Scheibe | |
| 9 | 22034508/0 | 8 | Bussola | Bush | Douille | Buchse | |
| 10 | 22686091/1 | 2 | Ruota Ø 165 | Wheel Ø 165 | Roue Ø 165 | Rad Ø 165 | |
| 11 | 22524341/0 | 2 | Perno | Pin | Pivot | Bolzen | |
| 12 | - | 2 | Coprimozzo | Hub Cap | Couvre-Moyeu | Radkappe | (See Enclosure 1) |
| 13 | 22120109/0 | 2 | Ruota Dentata | Sprocket | Couronne | Zahnkettenrad | |
| 14 | 22170622/0 | 2 | Distanziale | Spacer | Entretoise | Distanzring | |
| 15 | 22686093/0 | 2 | Ruota Ø 190 | Wheel Ø 190 | Roue Ø190 | Rad Ø 190 | |
| 16 | 12523050/0 | 2 | Rosetta | Washer | Rondelle | Scheibe | |
| 17 | 12735599/0 | 2 | Vite | Screw | Vis | Schraube | |
| 18 | - | 2 | Coprimozzo | Hub Cap | Couvre-Moyeu | Radkappe | (See Enclosure 2) |
| 19 | 22675100/0 | 4 | Rosetta | Washer | Rondelle | Scheibe | |
| 20 | 22122200/0 | 8 | Cuscinetto | Bearing | Coussinet | Lager | |
| 21 | 22033393/0 | 1 | Asse Ruote Posteriori | Axle, Rear Wheels | Axe Roues Arriere | Achse, Hinterrad | |
| 22 | 12530150/0 | 2 | Rosetta | Washer | Rondelle | Scheibe | |

ES

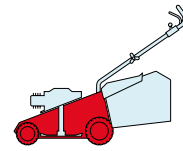
464

TR

ESL

534

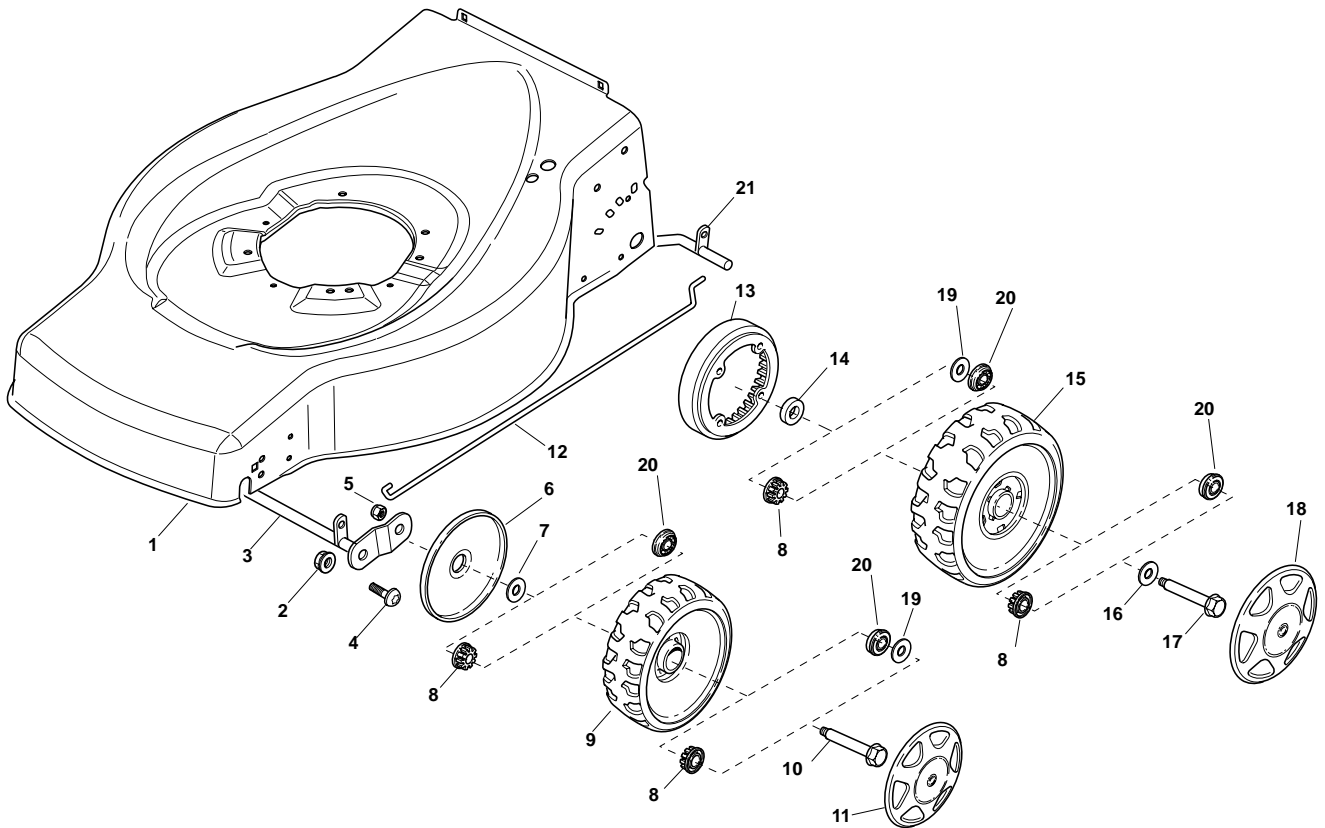
TR-E



2009

32_004

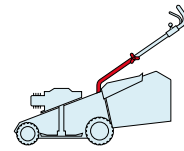
1 / 1



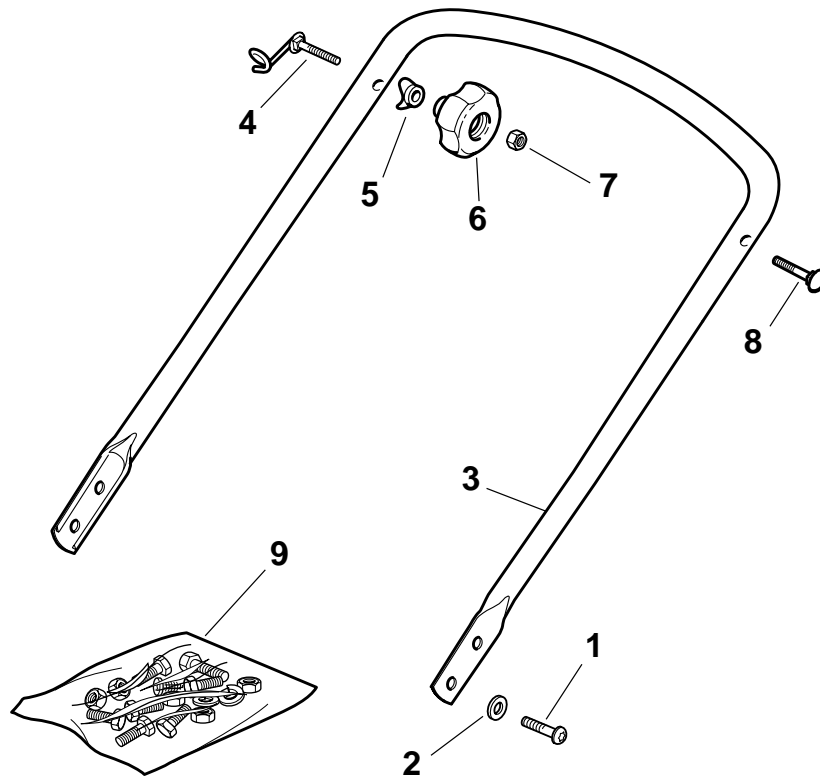
| POS. | CODE | Q.TY | DESCRIZIONE | DESCRIPTION | DESCRIPTION | BESCHREIBUNG | REMARKS |
|------|-------------|------|-----------------------|--------------------|-------------------|-------------------|-------------------|
| 1 | 81002538/0 | 1 | Chassis Rosso | Deck Red | Châssis Rouge | Gehäuse Rot | 464 |
| 1 | 381003703/0 | 1 | Chassis Rosso | Deck Red | Châssis Rouge | Gehäuse Rot | 534 |
| 2 | 12155000/0 | 2 | Dado | Nut | Ecrou | Mutter | |
| 3 | 81000153/0 | 1 | Asse Ruote Anteriore | Axle, Front Wheels | Axe Roues Avant | Achse, Vorderrad | |
| 4 | 12760600/0 | 2 | Vite | Screw | Vis | Schraube | |
| 5 | 22131750/0 | 2 | Dado | Nut | Ecrou | Mutter | |
| 6 | 22600095/0 | 2 | Protezione | Protection | Protection | Schutz | |
| 7 | 22671651/0 | 2 | Rosetta | Washer | Rondelle | Scheibe | |
| 8 | 22034508/0 | 8 | Bussola | Bush | Douille | Buchse | |
| 9 | 22686091/1 | 2 | Ruota Ø 165 | Wheel Ø 165 | Roue Ø 165 | Rad Ø 165 | |
| 10 | 22524341/0 | 2 | Perno | Pin | Pivot | Bolzen | |
| 11 | - | 2 | Coprizzo | Hub Cap | Couvre-Moyeu | Radkappe | (See Enclosure 1) |
| 12 | 22033317/0 | 1 | Asta Regolazione | Adjustment Rod | Tige Reglage | Verstellungstange | 464 |
| 12 | 122033319/0 | 1 | Asta Regolazione | Adjustment Rod | Tige Reglage | Verstellungstange | 534 |
| 13 | 22120109/0 | 2 | Ruota Dentata | Sprocket | Couronne | Zahnkettenrad | |
| 14 | 22170622/0 | 2 | Distanziale | Spacer | Entretoise | Distanzring | |
| 15 | 22686093/0 | 2 | Ruota Ø 190 | Wheel Ø 190 | Roue Ø190 | Rad Ø 190 | |
| 16 | 12523050/0 | 2 | Rosetta | Washer | Rondelle | Scheibe | |
| 17 | 12735599/0 | 2 | Vite | Screw | Vis | Schraube | |
| 18 | - | 2 | Coprizzo | Hub Cap | Couvre-Moyeu | Radkappe | (See Enclosure 2) |
| 19 | 22675100/0 | 4 | Rosetta | Washer | Rondelle | Scheibe | |
| 20 | 22122200/0 | 8 | Cuscinetto | Bearing | Coussinet | Lager | |
| 21 | 81000159/0 | 1 | Asse Ruote Posteriori | Axle, Rear Wheels | Axe Roues Arriere | Achse, Hinterrad | |
| 22 | 122446186/0 | 1 | Molla | Spring | Ressort | Feder | 534 |

ES
464
TR

ESL
534
TR-E



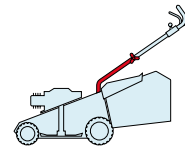
2009
32_005
1 / 1



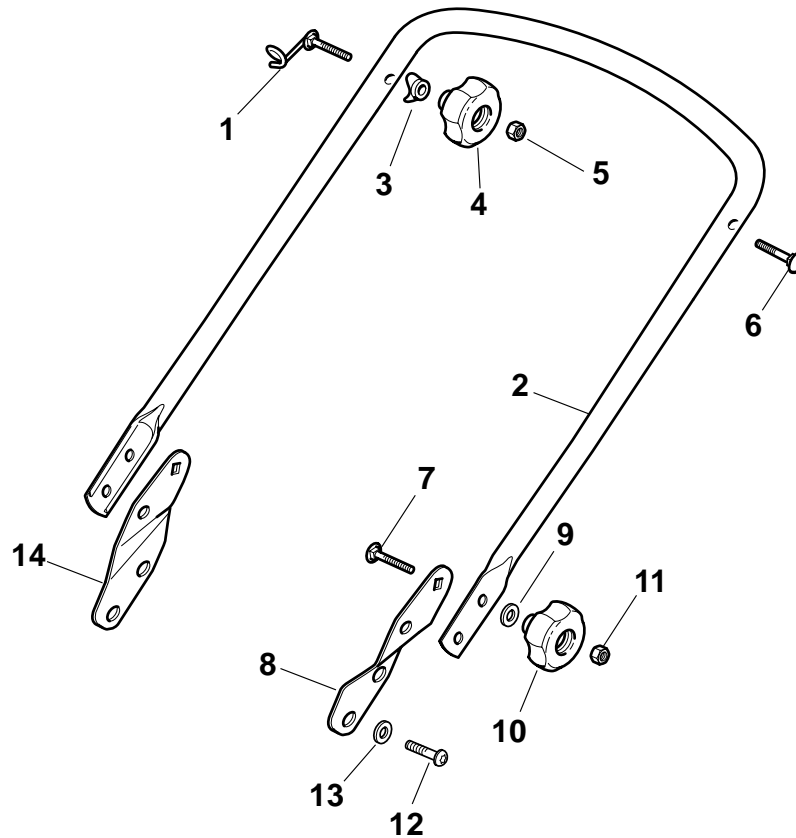
| POS. | CODE | Q.TY | DESCRIZIONE | DESCRIPTION | DESCRIPTION | BESCHREIBUNG | REMARKS |
|------|-------------|------|-------------------|--------------------|------------------------|-----------------|---------|
| 1 | 12760605/0 | 4 | Vite | Screw | Vis | Schraube | |
| 2 | 12521350/0 | 4 | Rosetta | Washer | Rondelle | Scheibe | |
| 3 | 81006568/0 | 1 | Manico, Parte Inf | Handle, Lower Part | Mancheron, Partie Inf. | Holm, Unterteil | 414 |
| 3 | 81006570/0 | 1 | Manico, Parte Inf | Handle, Lower Part | Mancheron, Partie Inf. | Holm, Unterteil | 464 |
| 3 | 381006686/0 | 1 | Manico, Parte Inf | Handle, Lower Part | Mancheron, Partie Inf. | Holm, Unterteil | 534 |
| 4 | 81003801/1 | 1 | Molla Guida | Guide Spring | Ressort De Guide | Feder Führer | |
| 5 | 22680006/1 | 2 | Rosetta | Washer | Rondelle | Scheibe | |
| 6 | 322399804/1 | 2 | Manopolina | Knob | Poignée | Griff | |
| 7 | 12293200/0 | 2 | Dado | Nut | Ecrou | Mutter | |
| 8 | 12819201/0 | 1 | Vite | Screw | Vis | Schraube | |
| 9 | 81008648/1 | 1 | Dotazione Viteria | Outfit, Screws | Dotation Visserie | Satz, Schrauben | |

ES
464
TR

ESL
534
TR-E



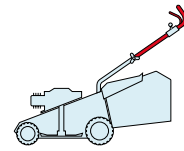
2009
32_006
1 / 1



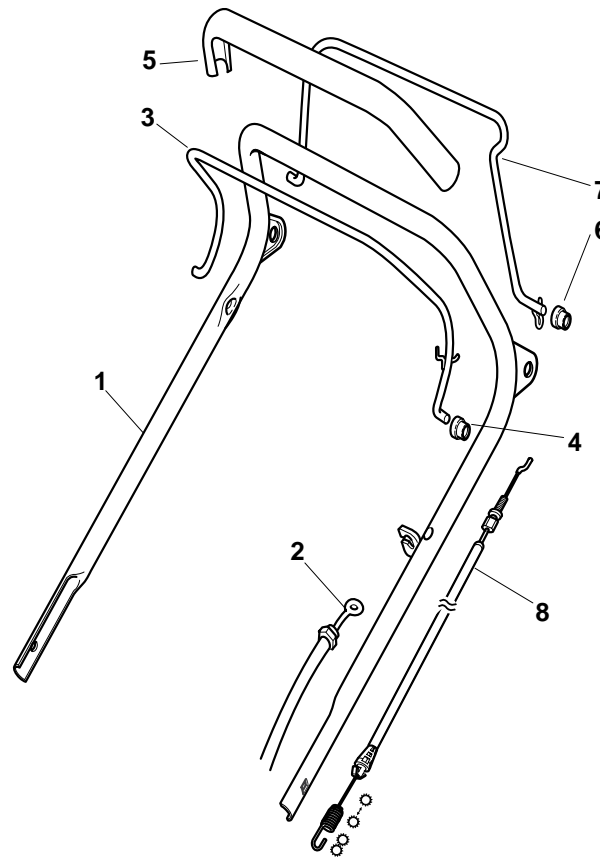
| POS. | CODE | Q.TY | DESCRIZIONE | DESCRIPTION | DESCRIPTION | BESCHREIBUNG | REMARKS |
|------|-------------|------|-------------------|--------------------|------------------------|-----------------|-----------|
| 1 | 81003801/1 | 1 | Molla Guida | Guide Spring | Ressort De Guide | Feder Führer | 464 - 534 |
| 2 | 81006576/0 | 1 | Manico, Parte Inf | Handle, Lower Part | Mancheron, Partie Inf. | Holm, Unterteil | 464 |
| 2 | 381006687/0 | 1 | Manico, Parte Inf | Handle, Lower Part | Mancheron, Partie Inf. | Holm, Unterteil | 534 |
| 3 | 22680006/1 | 2 | Rosetta | Washer | Rondelle | Scheibe | 464 - 534 |
| 4 | 322399804/1 | 2 | Manopolina | Knob | Poignée | Griff | 464 - 534 |
| 5 | 12293200/0 | 2 | Dado | Nut | Ecrou | Mutter | 464 - 534 |
| 6 | 12819201/0 | 1 | Vite | Screw | Vis | Schraube | 464 - 534 |
| 7 | 12818900/0 | 2 | Vite | Screw | Vis | Schraube | 464 - 534 |
| 8 | 22778425/0 | 1 | Staffa Sx | Bracket, L | Bride G | Pratze, Linke | 464 - 534 |
| 9 | 22671653/0 | 2 | Rosetta | Washer | Rondelle | Scheibe | 464 - 534 |
| 10 | 322399804/1 | 2 | Manopolina | Knob | Poignée | Griff | 464 - 534 |
| 11 | 12293200/0 | 2 | Dado | Nut | Ecrou | Mutter | 464 - 534 |
| 12 | 12760605/0 | 4 | Vite | Screw | Vis | Schraube | 464 - 534 |
| 13 | 12521350/0 | 4 | Rosetta | Washer | Rondelle | Scheibe | 464 - 534 |
| 14 | 22778423/0 | 1 | Staffa Dx | Bracket, R | Bride D | Pratze, Rechte | 464 - 534 |

ES
464
TR

ESL
534
TR-E



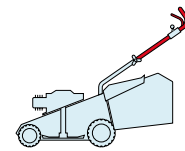
2009
32_007
1 / 1



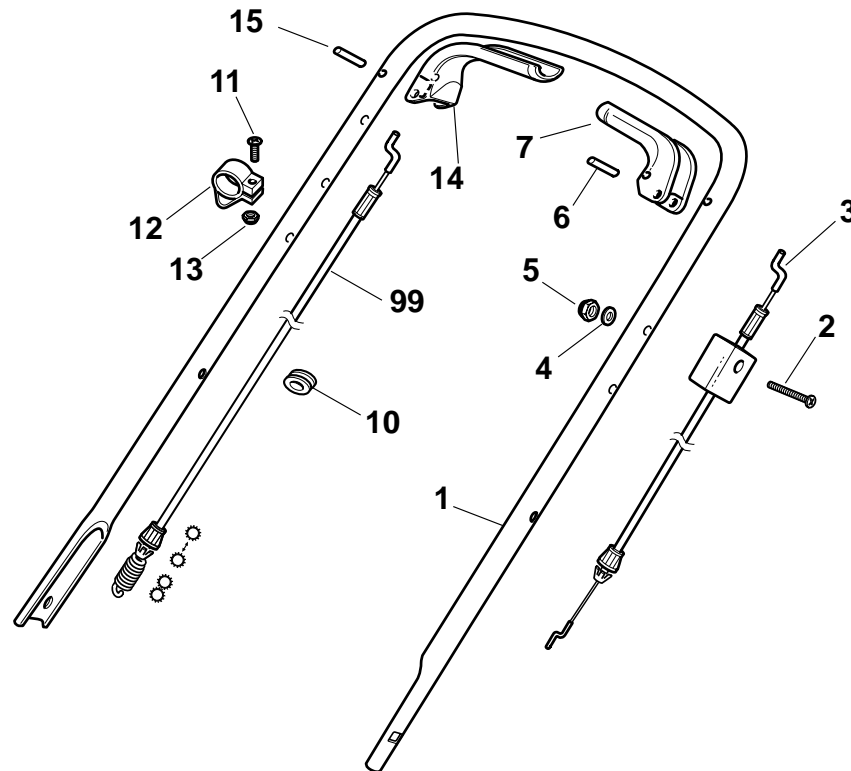
| POS. | CODE | Q.TY | DESCRIZIONE | DESCRIPTION | DESCRIPTION | BESCHREIBUNG | REMARKS |
|------|-------------|------|-------------------------|----------------------------|------------------------------|--------------------|-----------------------------|
| 1 | 81007024/0 | 1 | Manico, Parte Sup | Handle, Upper Part | Mancheron, Partie Supérieure | Holm, Oberteil | |
| 2 | 81000616/1 | 1 | Cavo Freno Motore | Cable, Thread Engine Brake | Cable Frein Moteur | Kabel, Motorbremse | 464 (B&S 625-675 Series) |
| 2 | 81000616/1 | 1 | Cavo Freno Motore | Cable, Thread Engine Brake | Cable Frein Moteur | Kabel, Motorbremse | 464 (Ggp 140cc) |
| 2 | 81000622/2 | 1 | Cavo Freno Motore | Cable, Thread Engine Brake | Cable Frein Moteur | Kabel, Motorbremse | 464 (Ggp 150cc) |
| 2 | 81000616/1 | 1 | Cavo Freno Motore | Cable, Thread Engine Brake | Cable Frein Moteur | Kabel, Motorbremse | 464 (Ggp 160cc) |
| 2 | 81000616/1 | 1 | Cavo Freno Motore | Cable, Thread Engine Brake | Cable Frein Moteur | Kabel, Motorbremse | 464 (Honda Gcv 135-160) |
| 2 | 181000761/0 | 1 | Cavo Freno Motore | Cable, Thread Engine Brake | Cable Frein Moteur | Kabel, Motorbremse | 534 (B&S 450-500 Series) |
| 2 | 81000760/0 | 1 | Cavo Freno Motore | Cable, Thread Engine Brake | Cable Frein Moteur | Kabel, Motorbremse | 534 (B&S 625-675 Series) |
| 2 | 81000760/0 | 1 | Cavo Freno Motore | Cable, Thread Engine Brake | Cable Frein Moteur | Kabel, Motorbremse | 534 (Ggp 140cc) |
| 2 | 81000622/2 | 1 | Cavo Freno Motore | Cable, Thread Engine Brake | Cable Frein Moteur | Kabel, Motorbremse | 534 (Ggp 150cc) |
| 2 | 81000760/0 | 1 | Cavo Freno Motore | Cable, Thread Engine Brake | Cable Frein Moteur | Kabel, Motorbremse | 534 (Ggp 160cc) |
| 2 | 81000760/0 | 1 | Cavo Freno Motore | Cable, Thread Engine Brake | Cable Frein Moteur | Kabel, Motorbremse | 534 (Ggp 196cc) |
| 2 | 181000761/0 | 1 | Cavo Freno Motore | Cable, Thread Engine Brake | Cable Frein Moteur | Kabel, Motorbremse | 534 (Honda Gcv 135-160-190) |
| 3 | 81003291/3 | 1 | Leva Freno Motore | Lever, Engine Brake | Levier Frein Moteur | Hebel, Motorbremse | |
| 4 | 22041966/0 | 2 | Bussola | Bush | Douille | Buchse | |
| 5 | 22291050/0 | 1 | Impugnatura Manico Nera | Handgrip Black | Poignée Noire | Handgriff Schwarz | |
| 6 | 22041965/1 | 2 | Bussola | Bush | Douille | Buchse | |
| 7 | 81003288/1 | 1 | Leva Trazione | Lever, Driving | Levier Traction | Hebel, Antrieb | |
| 8 | 381000778/0 | 1 | Cavo Comando Trazione | Cable, Rear Drive | Câble, Comma. Traction | Kabel, Antrieb | |

ES
464
TR

ESL
534
TR-E



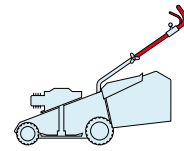
2009
32_008
1 / 1



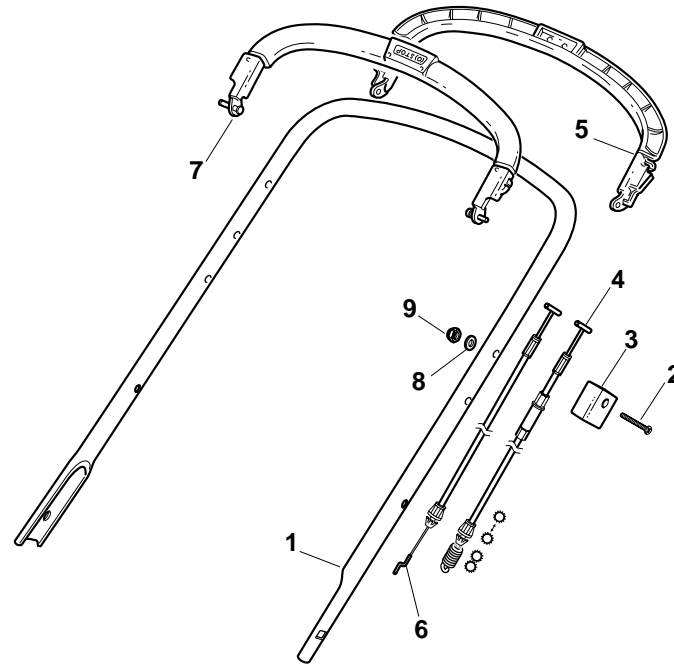
| POS. | CODE | Q.TY | DESCRIZIONE | DESCRIPTION | DESCRIPTION | BESCHREIBUNG | REMARKS |
|------|-------------|------|-----------------------|--------------------------|------------------------|--------------------|-----------------------------|
| 1 | 81006577/0 | 1 | Manico, Parte Sup | Handle, Upper Part | Mancheron, Partie Sup. | Holm, Oberteil | |
| 2 | 12674700/0 | 1 | Vite | Screw | Vis | Schraube | |
| 3 | 81000655/0 | 1 | Cavo Freno Motore | Cable, Thread Eng. Brake | Cable Frein Moteur | Kabel, Motorbremse | 464 (B&S 450-500 Series) |
| 3 | 181000617/0 | 1 | Cavo Freno Motore | Cable, Thread Eng. Brake | Cable Frein Moteur | Kabel, Motorbremse | 464 (B&S 625-675 Series) |
| 3 | 81000612/0 | 1 | Cavo Freno Motore | Cable, Thread Eng. Brake | Cable Frein Moteur | Kabel, Motorbremse | 464 (Ggp 150cc) |
| 3 | 81000655/0 | 1 | Cavo Freno Motore | Cable, Thread Eng. Brake | Cable Frein Moteur | Kabel, Motorbremse | 464 (Honda Gcv 135-160-190) |
| 3 | 181030003/0 | 1 | Cavo Freno Motore | Cable, Thread Eng. Brake | Cable Frein Moteur | Kabel, Motorbremse | 534 (B&S 450-500 Series) |
| 3 | 181030004/0 | 1 | Cavo Freno Motore | Cable, Thread Eng. Brake | Cable Frein Moteur | Kabel, Motorbremse | 534 (B&S 675 Series) |
| 3 | 181030005/0 | 1 | Cavo Freno Motore | Cable, Thread Eng. Brake | Cable Frein Moteur | Kabel, Motorbremse | 534 (Ggp 150cc) |
| 3 | 181030004/0 | 1 | Cavo Freno Motore | Cable, Thread Eng. Brake | Cable Frein Moteur | Kabel, Motorbremse | 534 (Ggp 160cc) |
| 3 | 181030004/0 | 1 | Cavo Freno Motore | Cable, Thread Eng. Brake | Cable Frein Moteur | Kabel, Motorbremse | 534 (Honda Gcv 135-160-190) |
| 4 | 12521330/0 | 1 | Rosetta | Washer | Rondelle | Scheibe | |
| 5 | 12292100/0 | 1 | Dado | Nut | Ecrou | Mutter | |
| 6 | 12645710/0 | 1 | Spina | Pin | Goupille | Stift | |
| 7 | 322321700/1 | 1 | Leva Freno Motore | Lever, Eng. Brake | Levier Frein Moteur | Hebel, Motorbremse | |
| 9 | 81000654/0 | 1 | Cavo Comando Trazione | Cable, Rear Drive | Câble, Comm. Traction | Kabel, Antrieb | |
| 10 | 18564520/1 | 1 | Passacavo | Fair Lead | Passe Cable | Kabeldurchgang | |
| 11 | 12769616/0 | 1 | Vite | Screw | Vis | Schraube | |
| 12 | 22806521/0 | 1 | Fascetta | Clamp | Collier | Bowdenzughalter | |
| 13 | 12292100/0 | 1 | Dado | Nut | Ecrou | Mutter | |
| 14 | 22321701/0 | 1 | Leva Trazione | Driving Lever | Levier Traction | Antriebhebel | |
| 15 | 12645710/0 | 1 | Spina | Pin | Goupille | Stift | |

ES
464
TR

ESL
534
TR-E

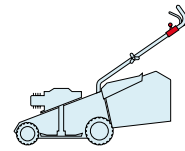


2009
32_009
1 / 1

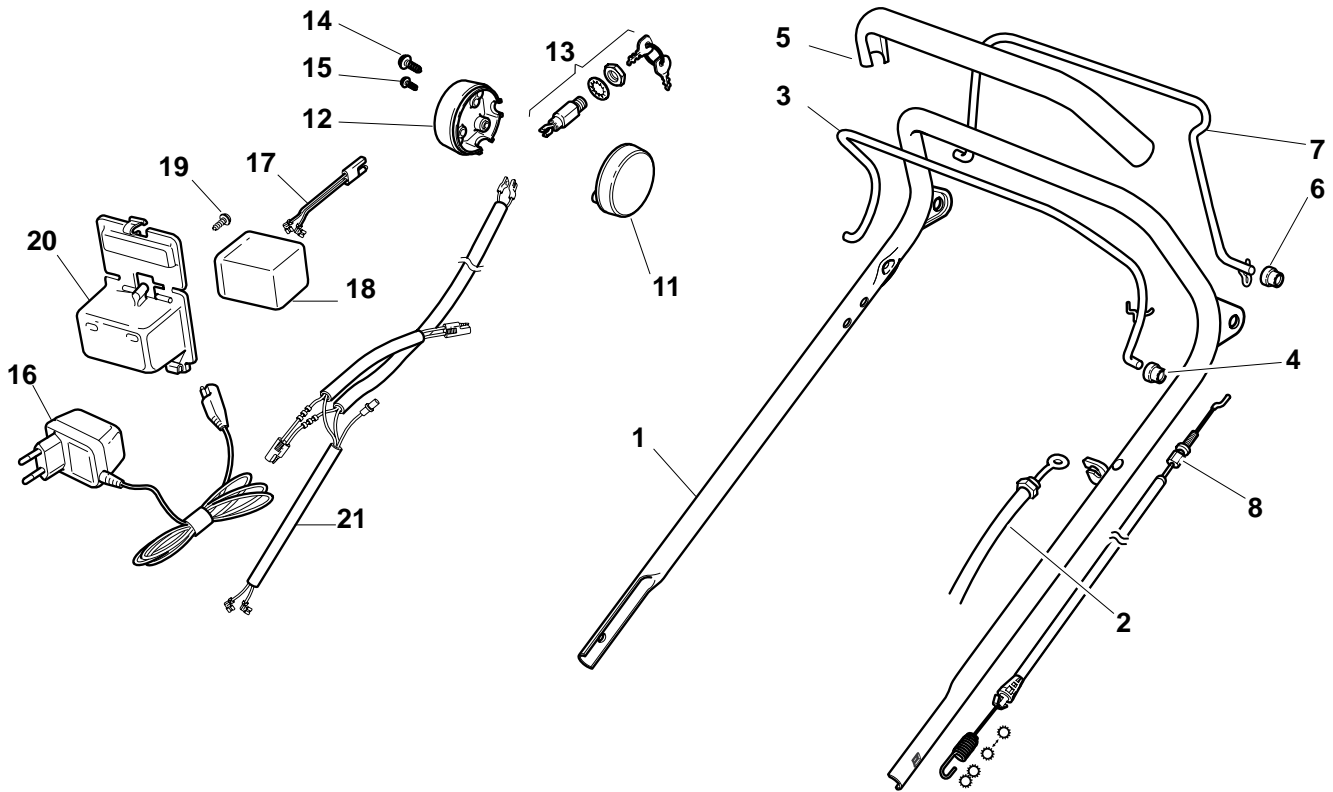


| POS. | CODE | Q.TY | DESCRIZIONE | DESCRIPTION | DESCRIPTION | BESCHREIBUNG | REMARKS |
|------|-------------|------|-----------------------|--------------------------|------------------------|--------------------|-----------------------------|
| 1 | 381006579/1 | 1 | Manico, Parte Sup | Handle, Upper Part | Mancheron, Partie Sup. | Holm, Oberteil | |
| 2 | 12689500/0 | 1 | Vite | Screw | Vis | Schraube | |
| 3 | 22551640/0 | 1 | Piastrina | Plate | Plaquette | Plättchen | |
| 4 | 81000659/0 | 1 | Cavo Comando Trazione | Cable, Rear Drive | Câble, Comm. Traction | Kabel, Antrieb | |
| 5 | 81003297/1 | 1 | Leva Trazione | Driving Lever | Levier Traction | Antriebhebel | |
| 6 | 81000657/0 | 1 | Cavo Freno Motore | Cable, Thread Eng. Brake | Cable Frein Moteur | Kabel, Motorbremse | 464 (B&S 450-500 Series) |
| 6 | 81000720/1 | 1 | Cavo Freno Motore | Cable, Thread Eng. Brake | Cable Frein Moteur | Kabel, Motorbremse | 464 (B&S 625-675 Series) |
| 6 | 181030002/0 | 1 | Cavo Freno Motore | Cable, Thread Eng. Brake | Cable Frein Moteur | Kabel, Motorbremse | 464 (Ggp 140cc) |
| 6 | 81000743/0 | 1 | Cavo Freno Motore | Cable, Thread Eng. Brake | Cable Frein Moteur | Kabel, Motorbremse | 464 (Ggp 150cc) |
| 6 | 181030002/0 | 1 | Cavo Freno Motore | Cable, Thread Eng. Brake | Cable Frein Moteur | Kabel, Motorbremse | 464 (Ggp 160cc) |
| 6 | 81000657/0 | 1 | Cavo Freno Motore | Cable, Thread Eng. Brake | Cable Frein Moteur | Kabel, Motorbremse | 464 (Honda Gcv 135-160-190) |
| 6 | 181030001/0 | 1 | Cavo Freno Motore | Cable, Thread Eng. Brake | Cable Frein Moteur | Kabel, Motorbremse | 534 (B&S 450-500 Series) |
| 6 | 181030001/0 | 1 | Cavo Freno Motore | Cable, Thread Eng. Brake | Cable Frein Moteur | Kabel, Motorbremse | 534 (B&S 625-675 Series) |
| 6 | 181030001/0 | 1 | Cavo Freno Motore | Cable, Thread Eng. Brake | Cable Frein Moteur | Kabel, Motorbremse | 534 (Ggp 140cc) |
| 6 | 181030000/0 | 1 | Cavo Freno Motore | Cable, Thread Eng. Brake | Cable Frein Moteur | Kabel, Motorbremse | 534 (Ggp 150cc) |
| 6 | 181030001/0 | 1 | Cavo Freno Motore | Cable, Thread Eng. Brake | Cable Frein Moteur | Kabel, Motorbremse | 534 (Ggp 160cc) |
| 6 | 181030001/0 | 1 | Cavo Freno Motore | Cable, Thread Eng. Brake | Cable Frein Moteur | Kabel, Motorbremse | 534 (Ggp 196cc) |
| 6 | 181030001/0 | 1 | Cavo Freno Motore | Cable, Thread Eng. Brake | Cable Frein Moteur | Kabel, Motorbremse | 534 (Honda Gcv 135-160-190) |
| 7 | 81003298/1 | 1 | Leva Freno Motore | Lever, Engine Brake | Levier Frein Moteur | Hebel, Motorbremse | |
| 8 | 12521330/0 | 1 | Rosetta | Washer | Rondelle | Scheibe | |
| 9 | 12292100/0 | 1 | Dado | Nut | Ecrou | Mutter | |

| | |
|------------|-------------|
| ES | ESL |
| 464 | 534 |
| TR | TR-E |

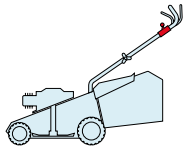


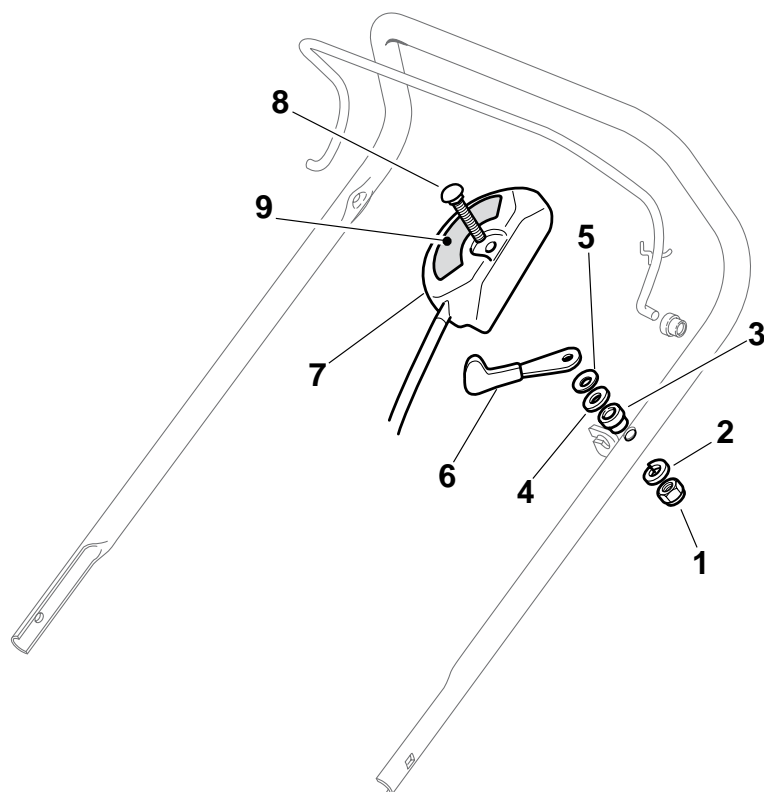
| |
|---------------|
| 2009 |
| 32_010 |
| 1 / 2 |



| POS. | CODE | Q.TY | DESCRIZIONE | DESCRIPTION | DESCRIPTION | BESCHREIBUNG | REMARKS |
|------|-------------|------|-------------------------|----------------------------|------------------------|--------------------|-----------------------------|
| 1 | 81006863/0 | 1 | Manico, Parte Sup | Handle, Upper Part | Mancheron, Partie Sup. | Holm, Oberteil | |
| 2 | 81000616/1 | 1 | Cavo Freno Motore | Cable, Thread Engine Brake | Cable Frein Moteur | Kabel, Motorbremse | 464 (B&S 625-675 Series) |
| 2 | 81000616/1 | 1 | Cavo Freno Motore | Cable, Thread Engine Brake | Cable Frein Moteur | Kabel, Motorbremse | 464 (Ggp 140cc) |
| 2 | 81000622/2 | 1 | Cavo Freno Motore | Cable, Thread Engine Brake | Cable Frein Moteur | Kabel, Motorbremse | 464 (Ggp 150cc) |
| 2 | 81000616/1 | 1 | Cavo Freno Motore | Cable, Thread Engine Brake | Cable Frein Moteur | Kabel, Motorbremse | 464 (Ggp 160cc) |
| 2 | 81000616/1 | 1 | Cavo Freno Motore | Cable, Thread Engine Brake | Cable Frein Moteur | Kabel, Motorbremse | 464 (Honda Gcv 135-160) |
| 2 | 181000761/0 | 1 | Cavo Freno Motore | Cable, Thread Engine Brake | Cable Frein Moteur | Kabel, Motorbremse | 534 (B&S 450-500 Series) |
| 2 | 81000760/0 | 1 | Cavo Freno Motore | Cable, Thread Engine Brake | Cable Frein Moteur | Kabel, Motorbremse | 534 (B&S 625-675 Series) |
| 2 | 81000760/0 | 1 | Cavo Freno Motore | Cable, Thread Engine Brake | Cable Frein Moteur | Kabel, Motorbremse | 534 (Ggp 140cc) |
| 2 | 81000622/2 | 1 | Cavo Freno Motore | Cable, Thread Engine Brake | Cable Frein Moteur | Kabel, Motorbremse | 534 (Ggp 150cc) |
| 2 | 81000760/0 | 1 | Cavo Freno Motore | Cable, Thread Engine Brake | Cable Frein Moteur | Kabel, Motorbremse | 534 (Ggp 160cc) |
| 2 | 81000760/0 | 1 | Cavo Freno Motore | Cable, Thread Engine Brake | Cable Frein Moteur | Kabel, Motorbremse | 534 (Ggp 196cc) |
| 2 | 181000761/0 | 1 | Cavo Freno Motore | Cable, Thread Engine Brake | Cable Frein Moteur | Kabel, Motorbremse | 534 (Honda Gcv 135-160-190) |
| 3 | 81003291/3 | 1 | Leva Freno Motore | Lever, Engine Brake | Levier Frein Moteur | Hebel, Motorbremse | |
| 4 | 22041966/0 | 2 | Bussola | Bush | Douille | Buchse | |
| 5 | 22291050/0 | 1 | Impugnatura Manico Nera | Handgrip Black | Poignée Noire | Handgriff Schwarz | |
| 6 | 22041965/1 | 2 | Bussola | Bush | Douille | Buchse | |
| 7 | 81003288/1 | 1 | Leva Trazione | Lever, Driving | Levier Traction | Hebel, Antrieb | |
| 8 | 381000778/0 | 1 | Cavo Comando Trazione | Cable, Rear Drive | Câble, Comma. Traction | Kabel, Antrieb | |
| 11 | 22722801/0 | 1 | Protezione Sx | L Protection | Protection G | Linke Schutz | |
| 12 | 22722800/0 | 1 | Protezione Dx | R Protection | Protection D | Rechte Schutz | |

| POS. | CODE | Q.TY | DESCRIZIONE | DESCRIPTION | DESCRIPTION | BESCHREIBUNG | REMARKS |
|------|-------------|------|----------------------|-----------------|-----------------------|-------------------|---------|
| 13 | 18450050/0 | 1 | Interruttore | Switch | Interrupteur | Schalter | |
| 14 | 12728300/0 | 2 | Vite | Screw | Vis | Schraube | |
| 15 | 12728691/0 | 1 | Vite | Screw | Vis | Schraube | |
| 16 | 18204120/0 | 1 | Carica Batteria | Battery Charger | Chargeur De Batterie | Ladgerät | |
| 16 | 18204121/0 | 1 | Carica Batteria | Battery Charger | Chargeur De | Ladgerät | (Uk) |
| 17 | 122063002/2 | 1 | Cavo Avviamento | Cable, Start | Cable Démarrage | Kabel, Start | |
| 18 | 18120053/0 | 1 | Batteria | Battery | Batterie | Batterie | |
| 19 | 12728691/0 | 1 | Vite | Screw | Vis | Schraube | |
| 20 | 22109533/0 | 1 | Contenitore Batteria | Battery Box | Conteneur De Batterie | Batterie Behälter | |
| 21 | 18204196/0 | 1 | Cavo Avviamento | Cable, Start | Cable Démarrage | Kabel, Start | |

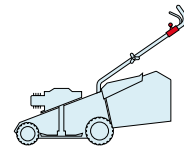
| | | | |
|------------|-------------|--|---------------|
| ES | ESL |  | 2009 |
| 464 | 534 | | 32_011 |
| TR | TR-E | | 1 / 1 |



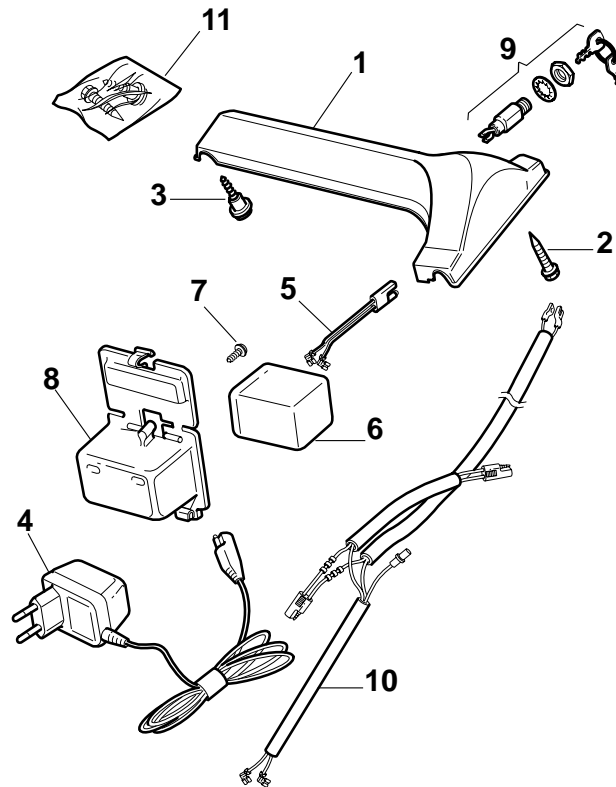
| POS. | CODE | Q.TY | DESCRIZIONE | DESCRIPTION | DESCRIPTION | BESCHREIBUNG | REMARKS |
|------|-------------|------|--------------------|-----------------|----------------------|---------------------|---|
| 1 | 12291000/0 | 1 | Dado | Nut | Ecrou | Mutter | |
| 2 | 12581500/0 | 1 | Grower | Grower | Grower | Federring | |
| 3 | 22171005/0 | 1 | Distanziale | Spacer | Entretoise | Distanzring | |
| 4 | 12521360/0 | 1 | Rosetta | Washer | Rondelle | Scheibe | |
| 5 | 12508100/0 | 1 | Rosetta Elastica | Spring Washer | Rondelle Elastique | Elastische Scheibe | |
| 6 | 81007279/1 | 1 | Leva, Acceleratore | Lever, Throttle | Levier, Accelérateur | Hebel, Beshleuniger | (B&S 625-675-700 Series - Honda - Ggp 140-160-196 cc) |
| 6 | 81007220/0 | 1 | Leva, Acceleratore | Lever, Throttle | Levier, Accelérateur | Hebel, Beshleuniger | (B&S 450-500 Series - Ggp 150 cc) |
| 7 | 81007080/0 | 1 | Cavo Acceleratore | Throttle Cable | Cable, Accelérateur | Gashebel Kabel | |
| 8 | 12815000/0 | 1 | Vite | Screw | Vis | Schraube | |
| 9 | 14356703/0 | 1 | Etichetta | Label | Etiquette | Etikette | (B&S) |
| 9 | 114356905/0 | 1 | Etichetta | Label | Etiquette | Etikette | (B&S 700 series DOV) |
| 9 | 14356702/0 | 1 | Etichetta | Label | Etiquette | Etikette | (GGP) |
| 9 | 114364264/0 | 1 | Etichetta | Label | Etiquette | Etikette | AVS (GGP 160-196) |
| 9 | 14356702/0 | 1 | Etichetta | Label | Etiquette | Etikette | (Honda) |
| 9 | 114356905/0 | 1 | Etichetta | Label | Etiquette | Etikette | (Honda GCV 160-190 Autochoke) |

ES
464
TR

ESL
534
TR-E



2009
32_012
1 / 1



| POS. | CODE | Q.TY | DESCRIZIONE | DESCRIPTION | DESCRIPTION | BESCHREIBUNG | REMARKS |
|------|-------------|------|-----------------------|---------------------------|---------------------------|-------------------------|---------|
| 1 | 22120148/0 | 1 | Cruscotto Giallo | Dash Board Yellow | Console Jaune | Konsole Gelbe | |
| 1 | 22120164/0 | 1 | Cruscotto Nero | Dash Board Black | Console Noire | Konsole Schwarze | |
| 1 | 22120150/0 | 1 | Cruscotto Rosso | Dash Board Red | Console Rouge | Konsole Rote | |
| 2 | 12728460/0 | 1 | Vite | Screw | Vis | Schraube | |
| 3 | 22943006/0 | 1 | Vite | Screw | Vis | Schraube | |
| 4 | 18204120/0 | 1 | Carica Batteria | Battery Charger | Chargeur De Batterie | Ladgerät | |
| 4 | 18204121/0 | 1 | Carica Batteria | Battery Charger | Chargeur De | Ladgerät | (Uk) |
| 5 | 122063002/2 | 1 | Cavo Avviamento | Cable, Start | Cable Démarrage | Kabel, Start | |
| 6 | 18120053/0 | 1 | Batteria | Battery | Batterie | Batterie | |
| 7 | 12728691/0 | 1 | Vite | Screw | Vis | Schraube | |
| 8 | 22109533/0 | 1 | Contenitore Batteria | Battery Box | Conteneur De Batterie | Batterie Behälter | |
| 9 | 18450050/0 | 1 | Interruttore | Switch | Interrupteur | Schalter | |
| 10 | 118204192/3 | 1 | Cavo Avviamento | Cable, Start | Cable Démarrage | Kabel, Start | |
| 11 | 81008609/0 | 1 | Dotazione Viteria Cr. | Outfit, Dash-Board Screws | Dotation Visserie Console | Satz, Konsole Schrauben | |

ES

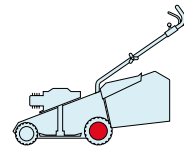
464

TR

ESL

534

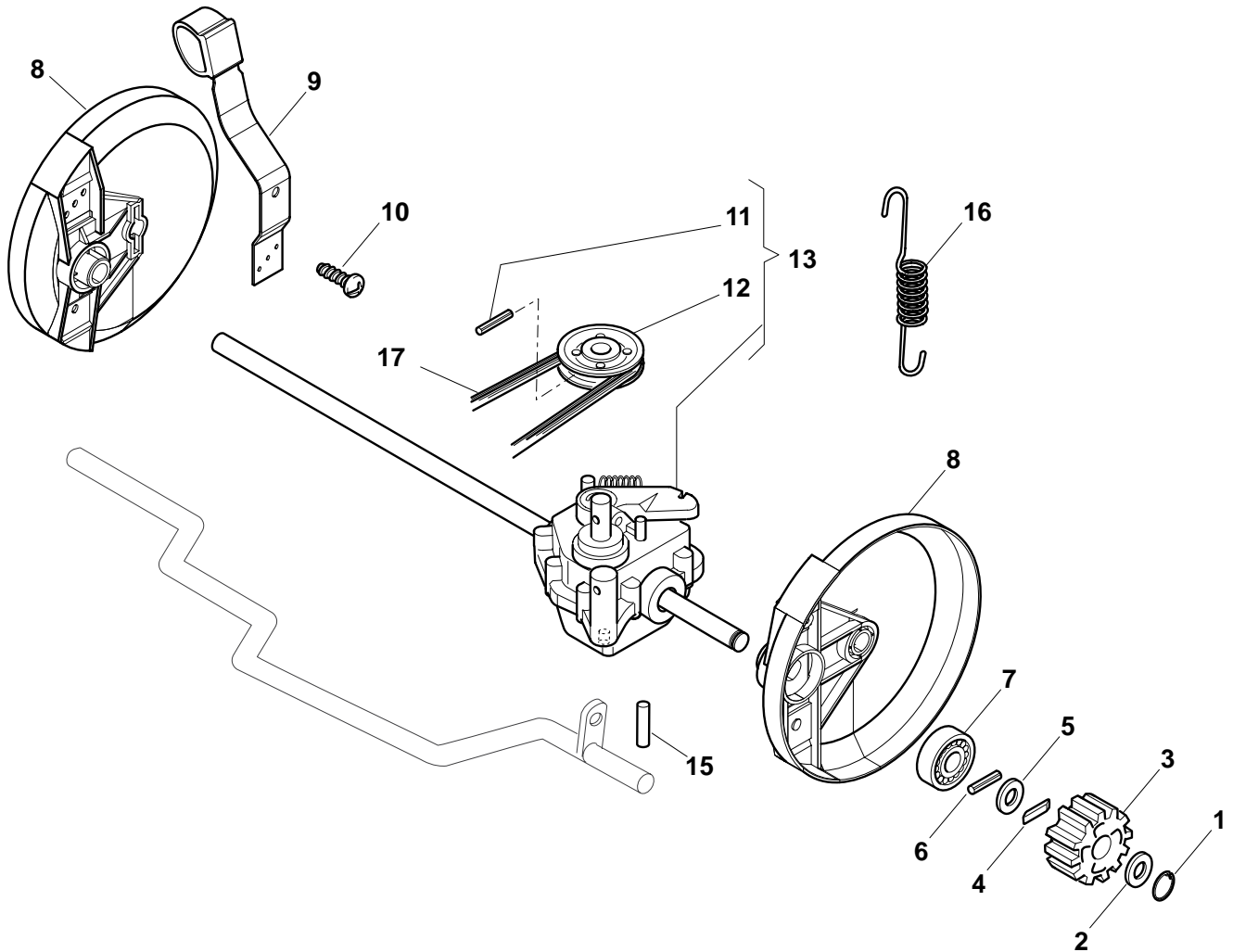
TR-E



2009

32_013

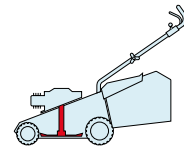
1 / 1



| POS. | CODE | Q.TY | DESCRIZIONE | DESCRIPTION | DESCRIPTION | BESCHREIBUNG | REMARKS |
|------|-------------|------|--------------------------|--------------------------|------------------------|------------------------|---------|
| 1 | 12608520/0 | 2 | Seeger | Seeger | Seeger | Seeger | |
| 2 | 22160520/0 | 2 | Disco Parapolvere | Dust Cover | Protege-Poussiere | Staubschuttscheibe | |
| 3 | 22570125/0 | 2 | Pignone | Pinion | Pignon | Ritzel | |
| 4 | 22076645/0 | 2 | Chiave | Key | Clef | Schlüssel | |
| 5 | 22160520/0 | 2 | Disco Parapolvere | Dust Cover | Protege-Poussiere | Staubschuttscheibe | |
| 6 | 12622620/0 | 2 | Spina | Pin | Goupille | Stift | |
| 7 | 22122202/0 | 2 | Cuscinetto | Bearing | Coussinet | Lager | |
| 8 | 22600106/1 | 2 | Prot. Ruote | Protection, Wheel | Protection Roue | Schütz, Räder | |
| 9 | 81003303/0 | 1 | Leva Regolazione Altezza | Lever, Height Adjustment | Levier Reglage Hauteur | Hebel, Höheverstellung | |
| 10 | 12728689/0 | 2 | Vite | Screw | Vis | Schraube | |
| 11 | 12713801/0 | 1 | Grano | Dowel | Grain | Stift | |
| 12 | 22601909/0 | 1 | Puleggia | Pulley | Poulie | Riemenscheibe | |
| 13 | 181003093/1 | 1 | Gruppo Trazione | Gear Box | Groupe Traction | Antrieb | |
| 15 | 22753001/0 | 2 | Spina | Pin | Goupille | Stift | |
| 16 | 22450438/0 | 1 | Molla | Spring | Ressort | Feder | |
| 17 | 35063750/0 | 1 | Cinghia | Belt | Courroire | Riemen | 464 |
| 17 | 35064100/0 | 1 | Cinghia | Belt | Courroire | Riemen | 534 |

ES
464
TR

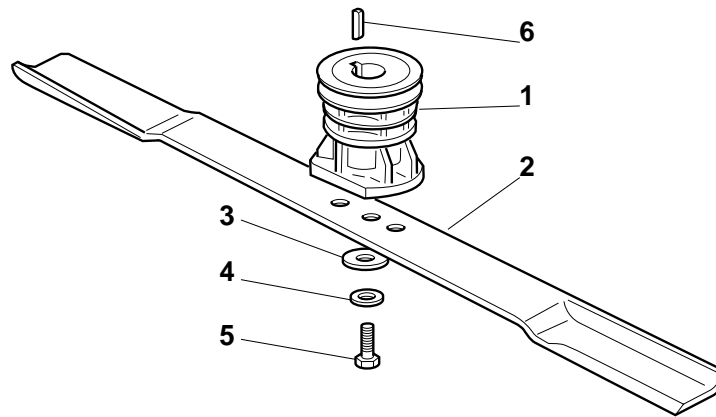
ESL
534
TR-E



2009

32_014

1 / 1



| POS. | CODE | Q.TY | DESCRIZIONE | DESCRIPTION | DESCRIPTION | BESCHREIBUNG | REMARKS |
|------|-------------|------|--|------------------------------------|--|-------------------------------------|---------|
| 1 | 22465607/2 | 1 | Mozzo Con Puleggia, Albero Motore Ø 22.2 | Hub With Pulley, Crankshaft Ø 22.2 | Moyeu Avec Poulie, Arbre Moteur Ø 22.2 | Nabe Mit Scheibe, Motorwelle Ø 22.2 | |
| 1 | 122465608/1 | 1 | Mozzo Con Puleggia, Albero Motore Ø 25 | Hub With Pulley, Crankshaft Ø 25 | Moyeu Avec Poulie, Arbre Moteur Ø 25 | Nabe Mit Scheibe, Motorwelle Ø 25 | |
| 2 | 81004365/3 | 1 | Coltello Standard | Blade Standard | Lame Standard | Messer Standard | 464 |
| 2 | 81004381/1 | 1 | Coltello Standard | Blade Standard | Lame Standard | Messer Standard | 534 |
| 3 | 22160400/0 | 1 | Disco Elastico | Elastic Washer | Rondelle Elastique | Elastischescheibe | |
| 4 | 12523080/0 | 1 | Rosetta | Washer | Rondelle | Scheibe | |
| 5 | 12735698/0 | 1 | Vite | Screw | Vis | Schraube | |
| 6 | 12139100/0 | 1 | Linguetta, Albero Motore Ø 22.2 | Feather, Crankshaft Ø 22.2 | Clavette, Arbre Moteur Ø 22.2 | Keil, Motorwelle Ø 22.2 | |
| 6 | 12139150/0 | 1 | Linguetta, Albero Motore Ø 25 | Feather, Crankshaft Ø 25 | Clavette, Arbre Moteur Ø 25 | Keil, Motorwelle Ø 25 | |

ES

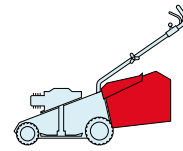
464

TR

ESL

534

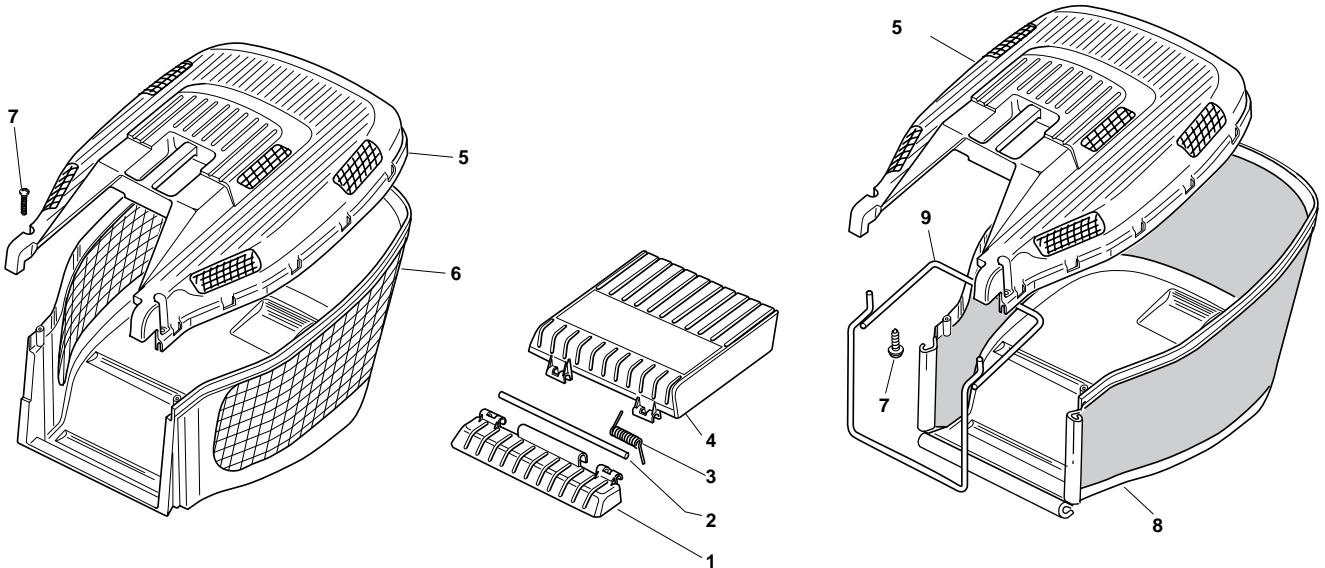
TR-E



2009

32_015

1 / 1



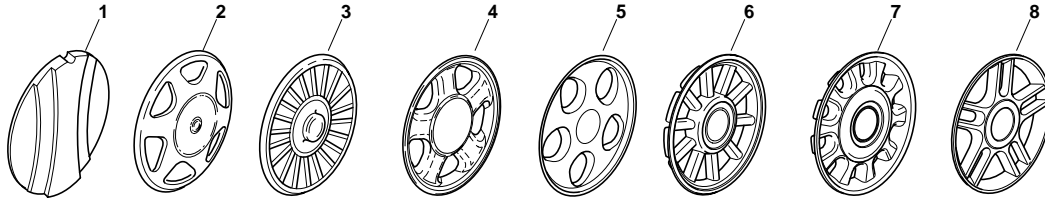
| POS. | CODE | Q.TY | DESCRIZIONE | DESCRIPTION | DESCRIPTION | BESCHREIBUNG | REMARKS |
|------|-------------|------|--------------------|---------------------|------------------------|----------------|---------|
| 1 | 22785136/1 | 1 | Supporto | Support | Support | Halter | |
| 2 | 22517858/0 | 1 | Perno | Pin | Pivot | Bolzen | |
| 3 | 22450431/0 | 1 | Molla | Spring | Ressort | Feder | |
| 4 | 322600099/1 | 1 | Parasassi | Stone-Guard | Pare-Pierres | Prallblech | |
| 5 | 22486122/0 | 1 | Parte Sup.Sacco | Grassbox Upper Part | Sac, Partie Superieure | Korb Oberteil | |
| 6 | 22486128/0 | 1 | Parte Infer. Sacco | Grassbox Lower Part | Sac, Partie Inferieure | Korb Unterteil | |
| 7 | 12728686/0 | 2 | Vite | Screw | Vis | Schraube | |
| 8 | 81002229/0 | 1 | Sacco, Tela | Box, Fabric | Sac, Toile | Sack, Tuck | |
| 9 | 81006419/0 | 1 | Telaio Sacco | Chassis Box | Châssis Bac | Rahmen Sack | |

ENCLOSURE 1

2009

001.0

1 / 1



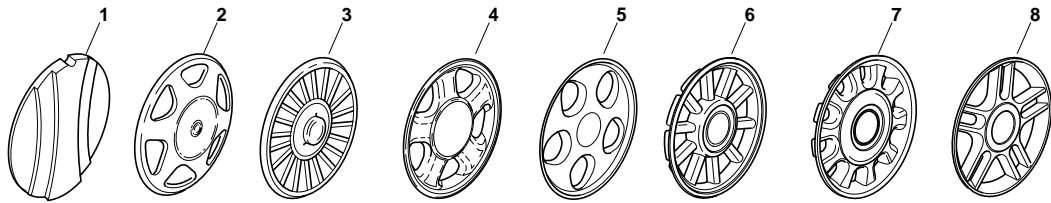
| POS. | CODE | Q.TY | DESCRIZIONE | DESCRIPTION | DESCRIPTION | BESCHREIBUNG | REMARKS |
|------|------------|------|-------------------|----------------|-------------------|----------------|---------|
| 1 | 22110252/1 | | Coprimozzo Bianco | Hub Cap White | Couvre-Moyeu | Radkappe Weiße | |
| 1 | 22110254/1 | | Coprimozzo Giallo | Hub Cap Yellow | Couvre-Moyeu | Radkappe Gelbe | |
| 1 | 22110255/1 | | Coprimozzo Rosso | Hub Cap Red | Couvre-Moyeu | Radkappe Rote | |
| 2 | 22110344/0 | | Coprimozzo Bianco | Hub Cap White | Couvre-Moyeu | Radkappe Weiße | |
| 2 | 22110395/0 | | Coprimozzo Grigio | Hub Cap Grey | Couvre-Moyeu Gris | Radkappe Grau | |
| 3 | 22110347/0 | | Coprimozzo Grigio | Hub Cap Grey | Couvre-Moyeu Gris | Radkappe Grau | |
| 4 | 22110381/0 | | Coprimozzo Grigio | Hub Cap Grey | Couvre-Moyeu Gris | Radkappe Grau | |
| 5 | 22110416/0 | | Coprimozzo Grigio | Hub Cap Grey | Couvre-Moyeu Gris | Radkappe Grau | |
| 6 | 22110495/0 | | Coprimozzo Grigio | Hub Cap Grey | Couvre-Moyeu Gris | Radkappe Grau | |
| 7 | 22110493/0 | | Coprimozzo Grigio | Hub Cap Grey | Couvre-Moyeu Gris | Radkappe Grau | |
| 8 | 22110491/0 | | Coprimozzo Grigio | Hub Cap Grey | Couvre-Moyeu Gris | Radkappe Grau | |

ENCLOSURE 2

2009

002.0

1 / 1



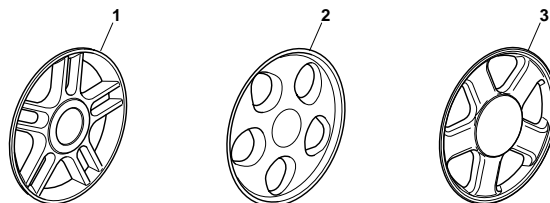
| POS. | CODE | Q.TY | DESCRIZIONE | DESCRIPTION | DESCRIPTION | BESCHREIBUNG | REMARKS |
|------|------------|------|--------------------|----------------|-------------------|----------------|---------|
| 1 | 22110251/0 | | Coprismozzo Bianco | Hub Cap White | Couvre-Moyeu | Radkappe Weiße | |
| 1 | 22110253/0 | | Coprismozzo Giallo | Hub Cap Yellow | Couvre-Moyeu | Radkappe Gelbe | |
| 1 | 22110256/0 | | Coprismozzo Rosso | Hub Cap Red | Couvre-Moyeu | Radkappe Rote | |
| 2 | 22110313/0 | | Coprismozzo Bianco | Hub Cap White | Couvre-Moyeu | Radkappe Weiße | |
| 2 | 22110314/0 | | Coprismozzo Grigio | Hub Cap Grey | Couvre-Moyeu Gris | Radkappe Grau | |
| 3 | 22110348/0 | | Coprismozzo Grigio | Hub Cap Grey | Couvre-Moyeu Gris | Radkappe Grau | |
| 4 | 22110382/0 | | Coprismozzo Grigio | Hub Cap Grey | Couvre-Moyeu Gris | Radkappe Grau | |
| 5 | 22110417/0 | | Coprismozzo Grigio | Hub Cap Grey | Couvre-Moyeu Gris | Radkappe Grau | |
| 6 | 22110496/0 | | Coprismozzo Grigio | Hub Cap Grey | Couvre-Moyeu Gris | Radkappe Grau | |
| 7 | 22110494/0 | | Coprismozzo Grigio | Hub Cap Grey | Couvre-Moyeu Gris | Radkappe Grau | |
| 8 | 22110492/0 | | Coprismozzo Grigio | Hub Cap Grey | Couvre-Moyeu Gris | Radkappe Grau | |

ENCLOSURE 3

2009

003.0

1 / 1



| POS. | CODE | Q.TY | DESCRIZIONE | DESCRIPTION | DESCRIPTION | BESCHREIBUNG | REMARKS |
|------|-------------|------|-------------------|--------------|-------------------|---------------|---------|
| 1 | 322110560/0 | | Coprimezzo Grigio | Hub Cap Grey | Couvre-Moyeu Gris | Radkappe Grau | |
| 2 | 322110590/0 | | Coprimezzo Grigio | Hub Cap Grey | Couvre-Moyeu Gris | Radkappe Grau | |
| 3 | 22110511/0 | | Coprimezzo Grigio | Hub Cap Grey | Couvre-Moyeu Gris | Radkappe Grau | |