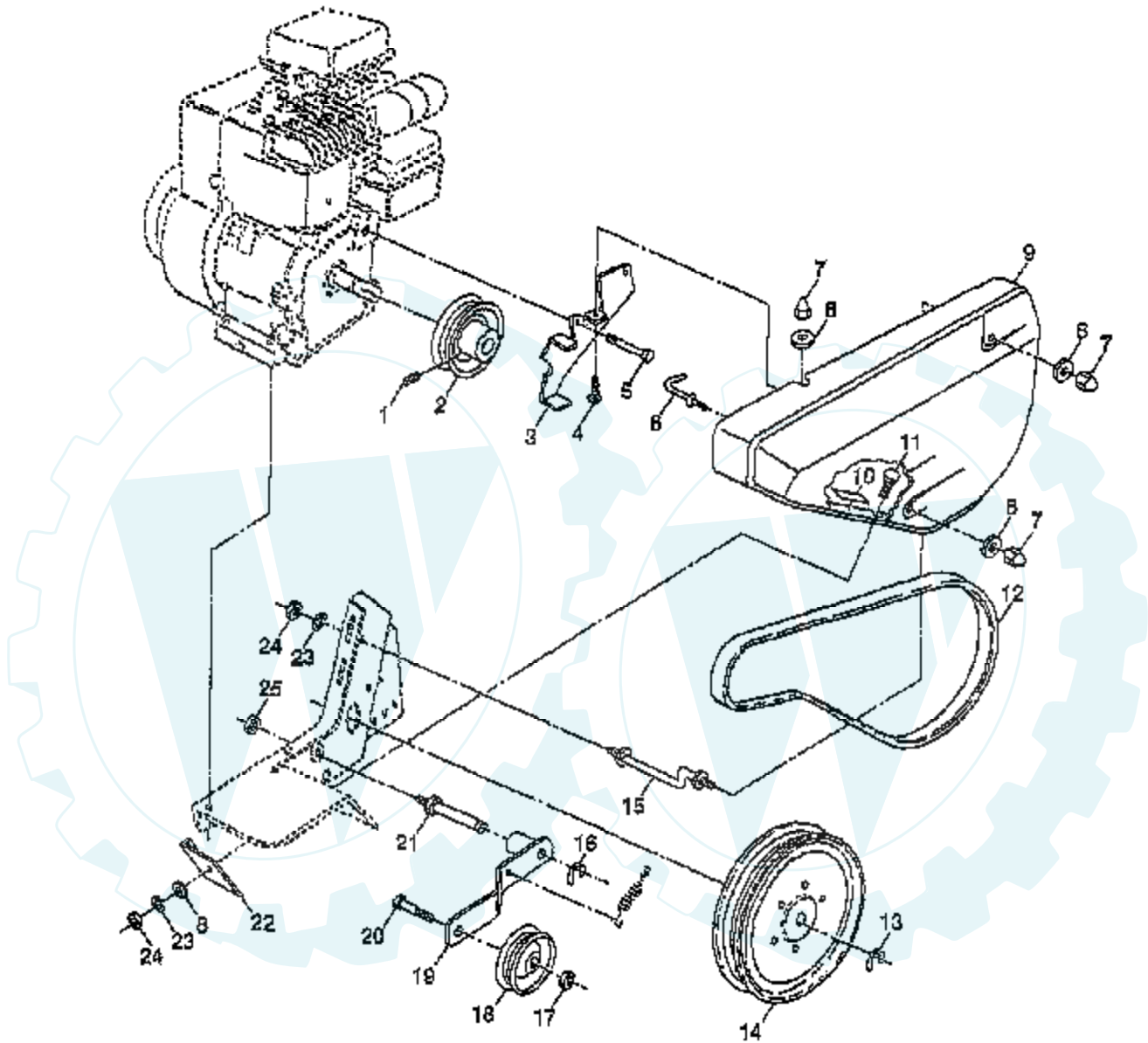
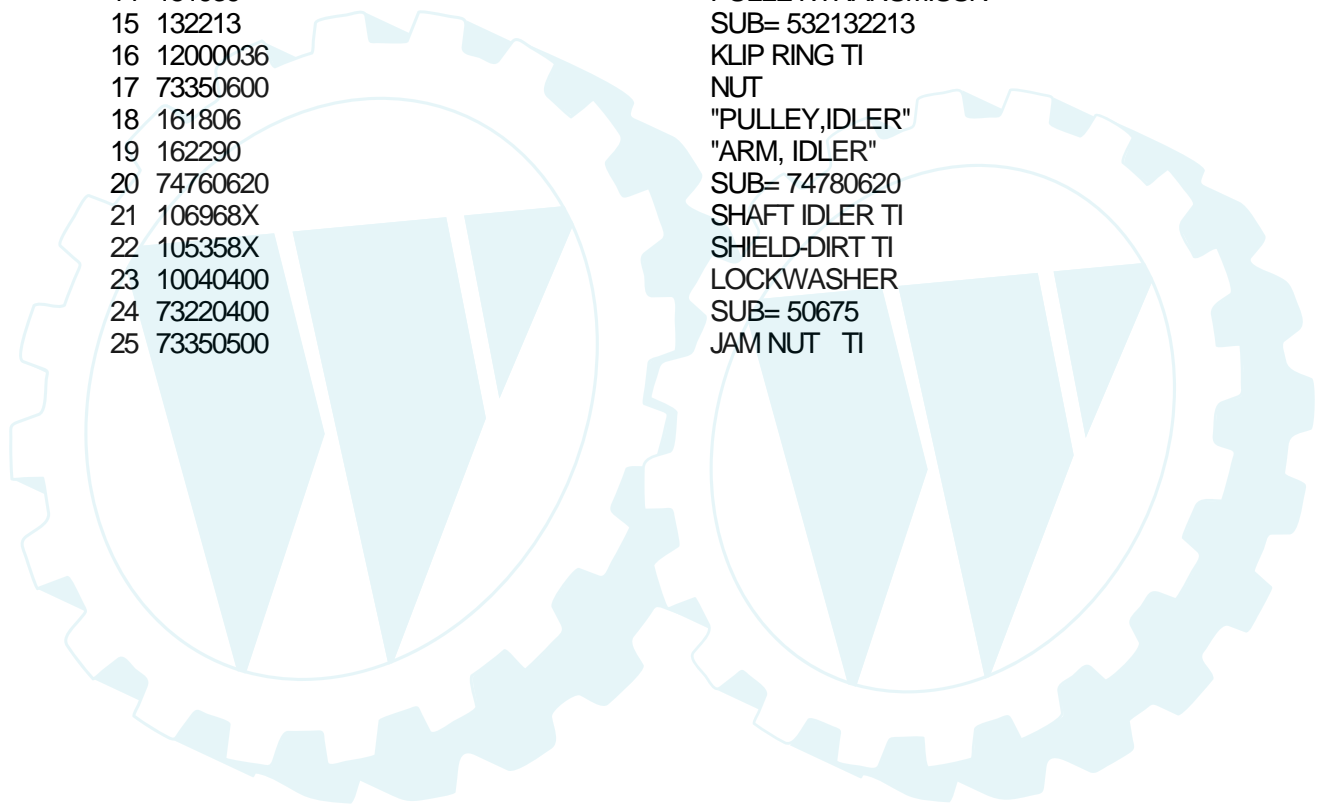


**TILLER - - MODEL NO. (PPFT35B) PRODUCT NO. 954 19 00-16**  
**BELT GUARD AND PULLEY ASSEMBLY**



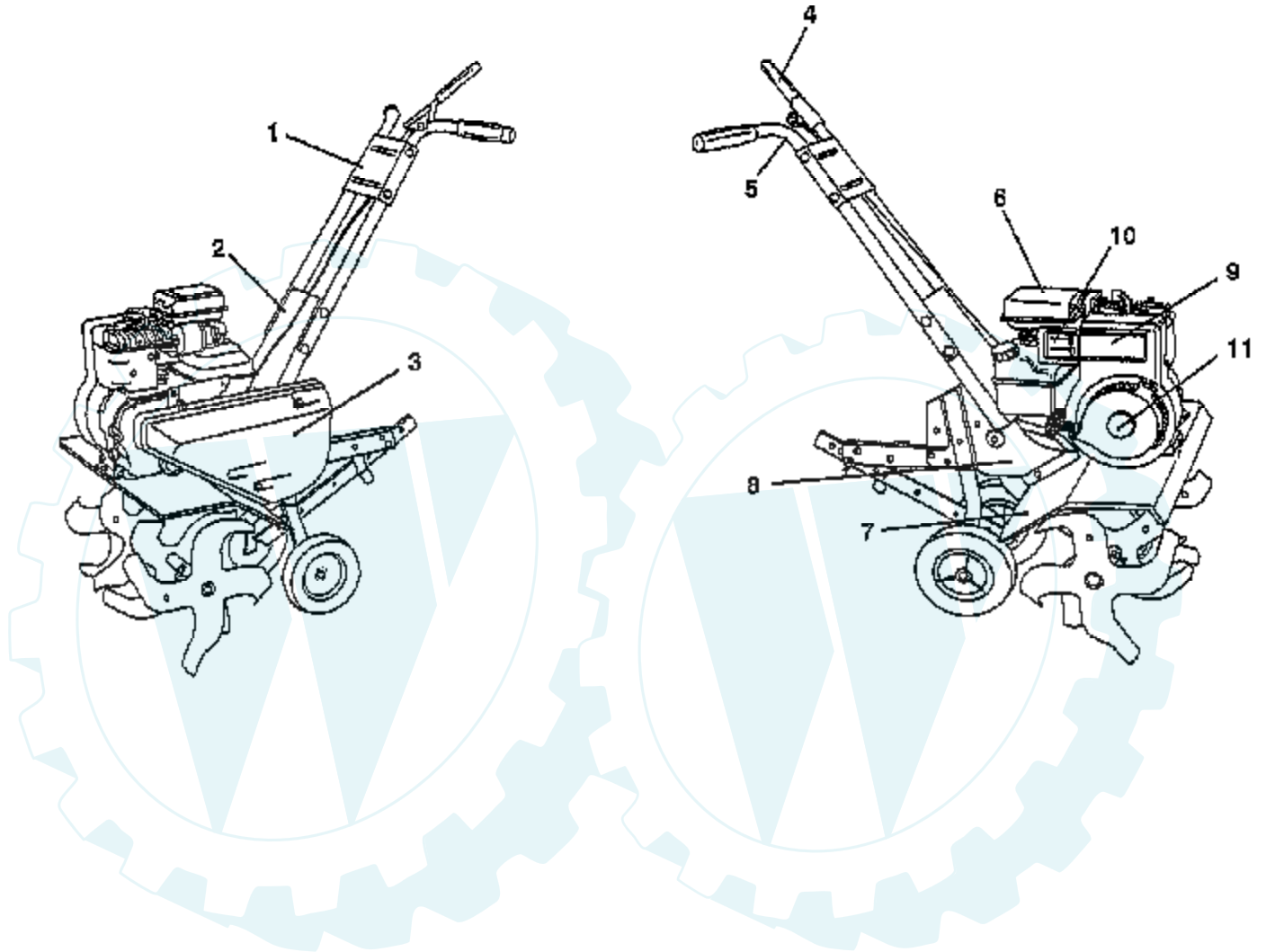
**NOTE:** All component dimensions given in U.S. Inches.  
1 inch = 25.4 mm

Ref #	Part Number	Qty	Description
1	23230506		SET SCREW
2	130811		SUB= 532130811
3	122955X		BRKT ASSY
4	72140404		BOLT
5	74610812		BOLT.HEX.HEAD
6	121463X		KEEPER BELT
7	104213X		NUT-CAP TI
8	19091016		WASHER
9	131157X505		BELT GUARD
10	109227X		PAD IDLER TI
11	72140406		BOLT T
12	9179R		SUB= TH3H390
13	12000028		SUB= 2267J
14	151939		PULLEY.TRANSMISSN
15	132213		SUB= 532132213
16	12000036		KLIP RING TI
17	73350600		NUT
18	161806		"PULLEY,IDLER"
19	162290		"ARM, IDLER"
20	74760620		SUB= 74780620
21	106968X		SHAFT IDLER TI
22	105358X		SHIELD-DIRT TI
23	10040400		LOCKWASHER
24	73220400		SUB= 50675
25	73350500		JAM NUT TI



**TILLER - - MODEL NO.  
DECALS**

**(PPFT35B)PRODUCT NO. 954 19 00-16**

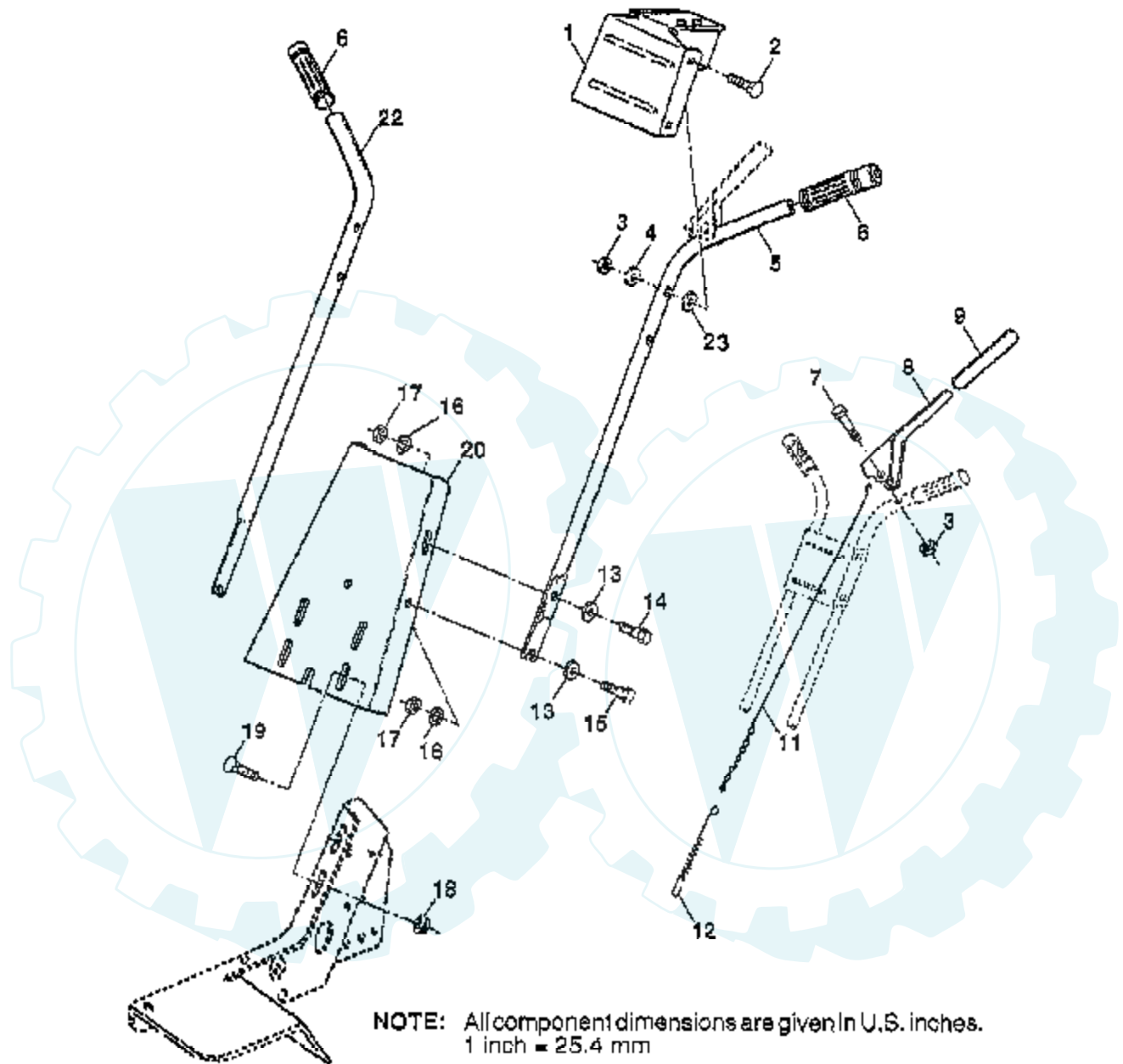


Ref #	Part Number	Qty	Description
1	162682		DECAL.LOGO.CONTROL
2	162681		DECAL.HP.CONTROL
3	162680		DECAL.LOGO
4	110613		DECAL, TINE CONTROL
5	110614		DECAL HAND PLACEMENT
6	162384		DECAL.CAUTION
7	120076		DECAL WARNING ROTATING TINES
8	150496		RETAINER-SPRING
9	273199		DECAL-BRIGGS AND STRATTON
10	273603		DECAL-SPEED CONTROL
11	273714		DECAL-3.5 HP
	162798		MANUAL.O.PPFT35B
	162799		MANUAL.O.PPFT35B



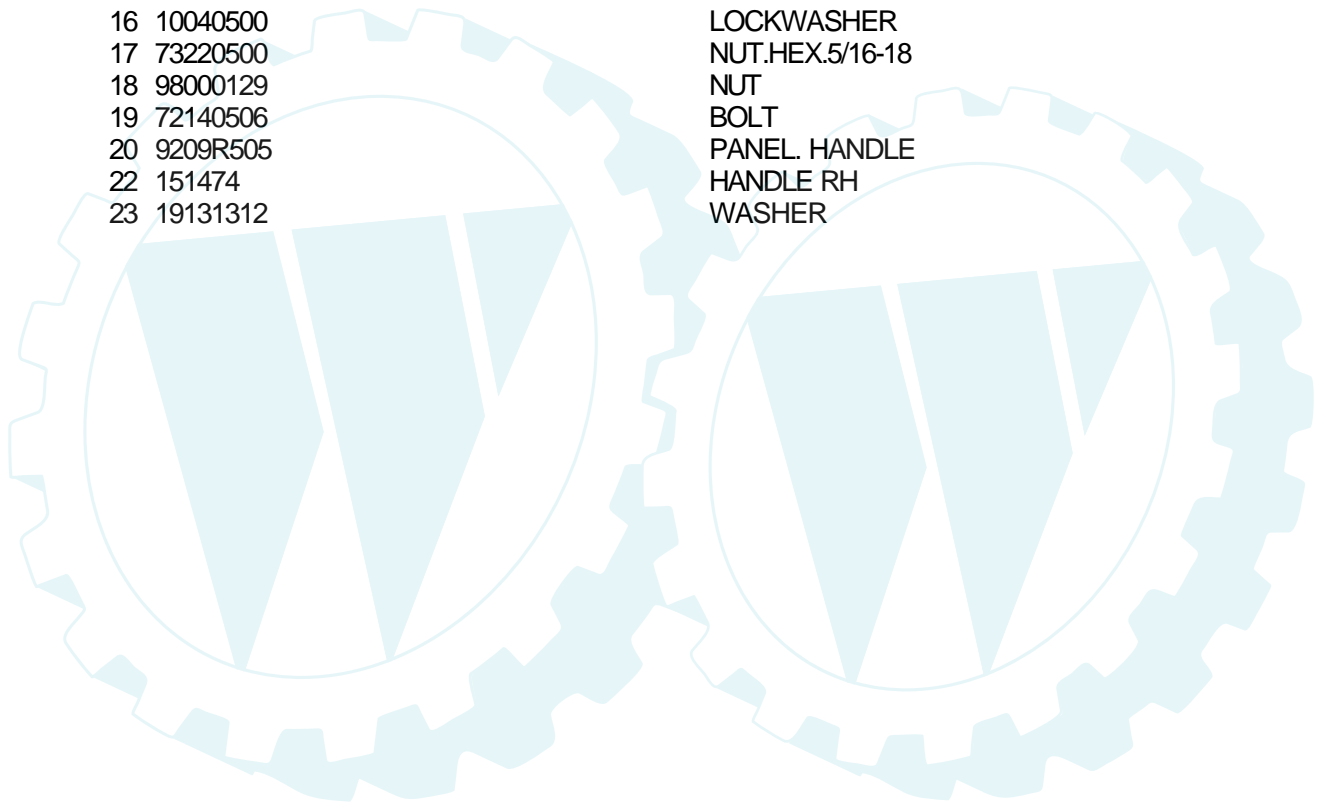
**TILLER -- MODEL NO.  
HANDLE ASSEMBLY**

**(PPFT35B)PRODUCT NO. 954 19 00-16**



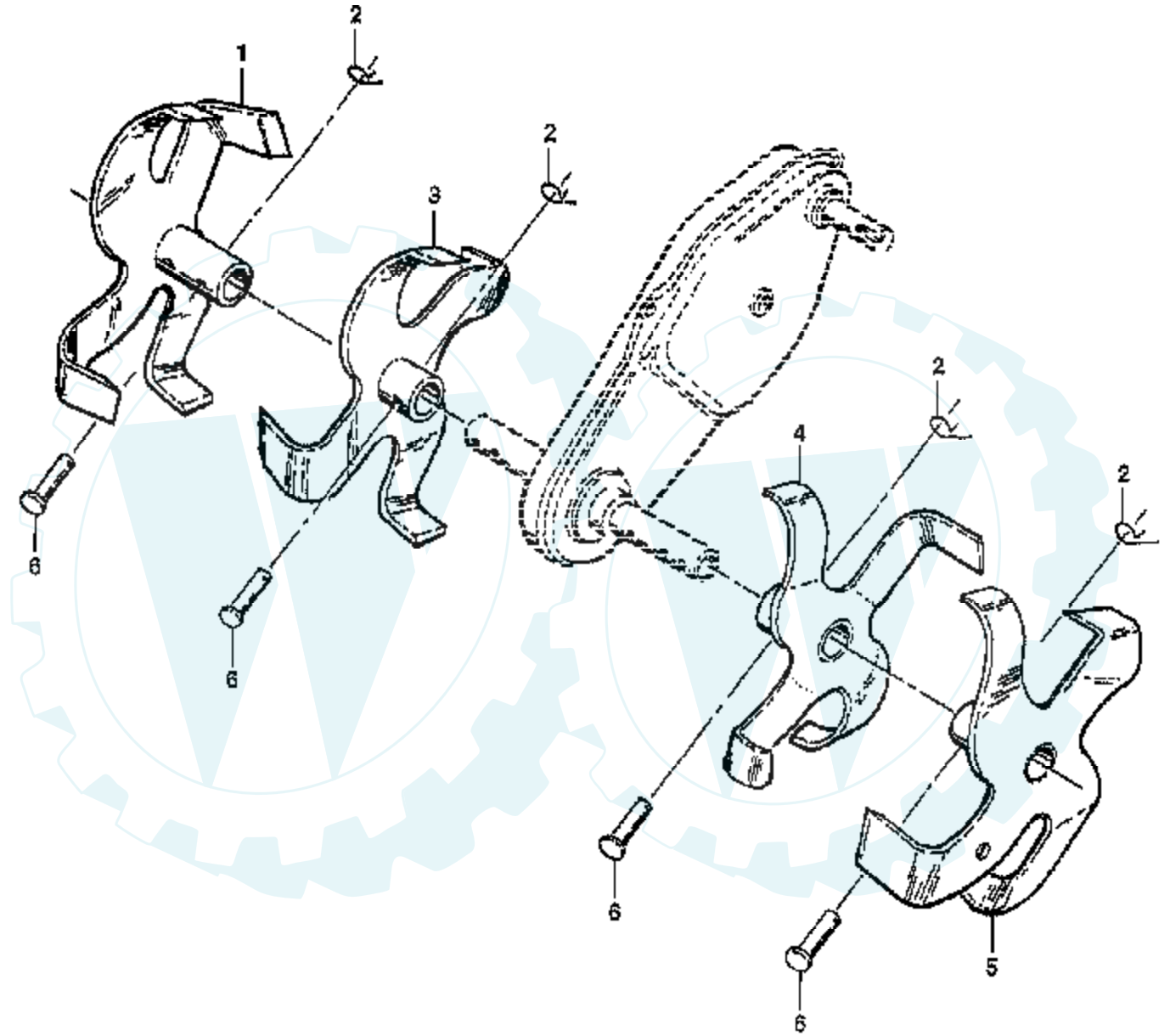
**NOTE:** All component dimensions are given in U.S. inches.  
1 inch = 25.4 mm

Ref #	Part Number	Qty	Description
1	137176X505		HANDLE BRKT
2	72140512		BOLT
3	73680500		SUB= 73690500
4	19111116		WASHER
5	151473		HANDLE LH
6	9266R		SUB= 624A78
7	74760524		BOLT.HEX.5/16-1.5
8	3069J		SUB= 164937
9	8206H		GRIP T
11	3067J		SUB= 100382K
12	3070J		SPRING EXT TI
13	19121414		WASHER
14	74760516		SUB= 77394
15	74760512		BOLT
16	10040500		LOCKWASHER
17	73220500		NUT.HEX.5/16-18
18	98000129		NUT
19	72140506		BOLT
20	9209R505		PANEL. HANDLE
22	151474		HANDLE RH
23	19131312		WASHER



**TILLER - - MODEL NO.  
TINE ASSEMBLY**

**(PPFT35B)PRODUCT NO. 954 19 00-16**



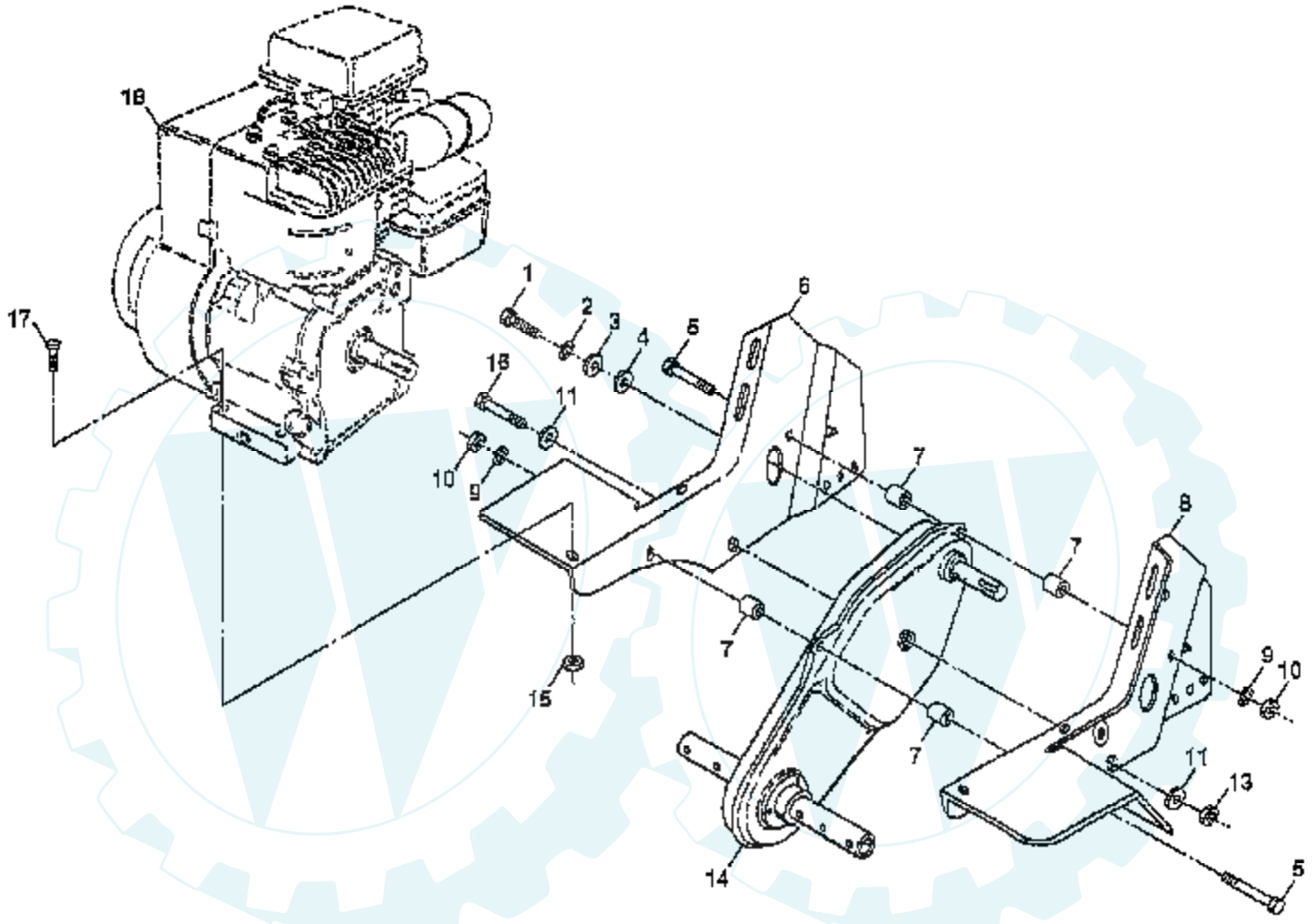
Ref #	Part Number	Qty	Description
1	106860X		TINE ASSY RH
2	4921H		SPRING.RETAINER
3	106858X		TINE ASSY RH
4	106857X		TINE INN LH TI
5	106859X		TINE ASS'Y LH
6	9194R		DRILLED RIVET RT





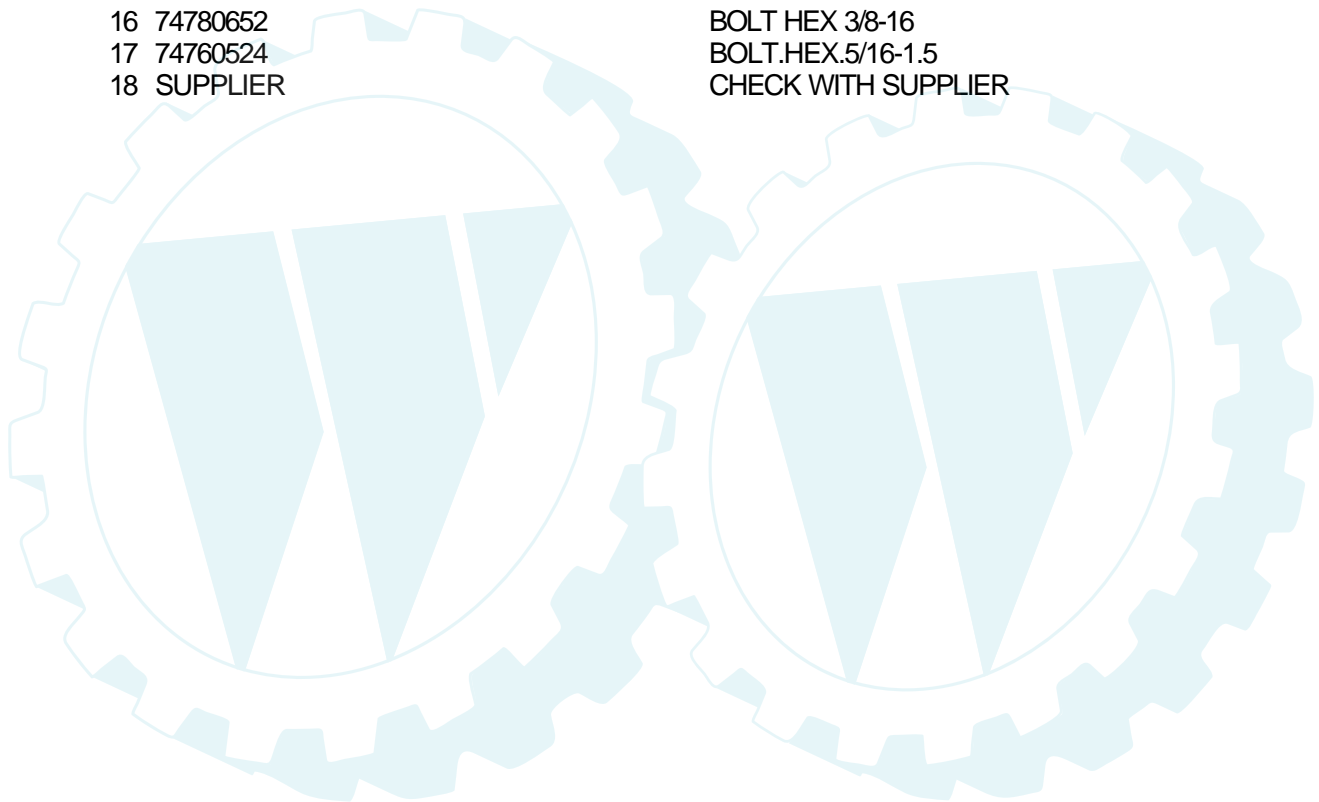
**TILLER - - MODEL NO.  
TRANSMISSION**

**(PPFT35B)PRODUCT NO. 954 19 00-16**

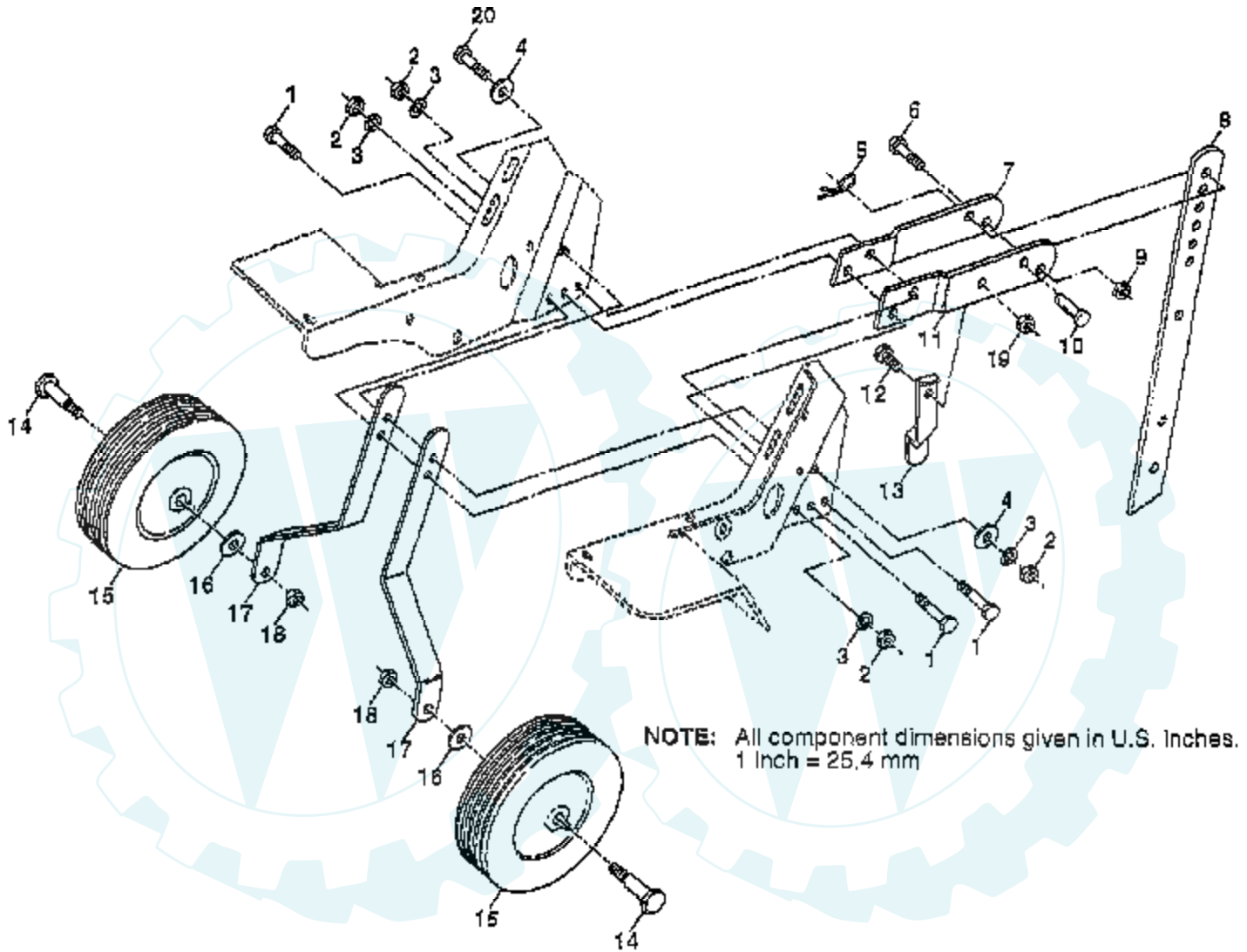


**NOTE:** All component dimensions given in U.S. inches.  
1 Inch = 25.4 mm

Ref #	Part Number	Qty	Description
1	74610412		BOLT
2	10040400		LOCKWASHER
3	19092016		WASHER
4	19091412		WASHER
5	74760544		SUB= 74780544
6	2606J505		ENGINE BRKT RH
7	9173R		SPLIT SPACER RT
8	132212X505		ENGINE BRKT LH
9	10040500		LOCKWASHER
10	73220500		NUT.HEX.5/16-18
11	19131311		WASHER
13	73800600		NUT
14	151937		SUB= 165810
15	73510500		NUT
16	74780652		BOLT HEX 3/8-16
17	74760524		BOLT.HEX.5/16-1.5
18	SUPPLIER		CHECK WITH SUPPLIER



**TILLER - - MODEL NO. (PPFT35B) PRODUCT NO. 954 19 00-16**  
**WHEEL AND DEPTH STAKE ASSEMBLY**



Ref #	Part Number	Qty	Description
1	74760520		BOLT
2	73220500		NUT.HEX.5/16-18
3	10040500		LOCKWASHER
4	19121414		WASHER
5	4921H		SPRING.RETAINER
6	74780628		BOLT
7	318J		STAKE.SUPT.TILLER
8	9193R		SUB= 9193R500
9	73800600		NUT
10	9551R		DRILLED RIVET RT
11	317J		SUB= 317J500
12	74760512		BOLT
13	325J		STAKE SPRING CT
14	121117X		BOLT SHOULDER
15	127858		WHEEL TI
16	19131311		WASHER
17	9189R		SUB= 674H4
18	73680600		SUB= 73690600
19	73800500		NUT
20	74760524		BOLT.HEX.5/16-1.5

