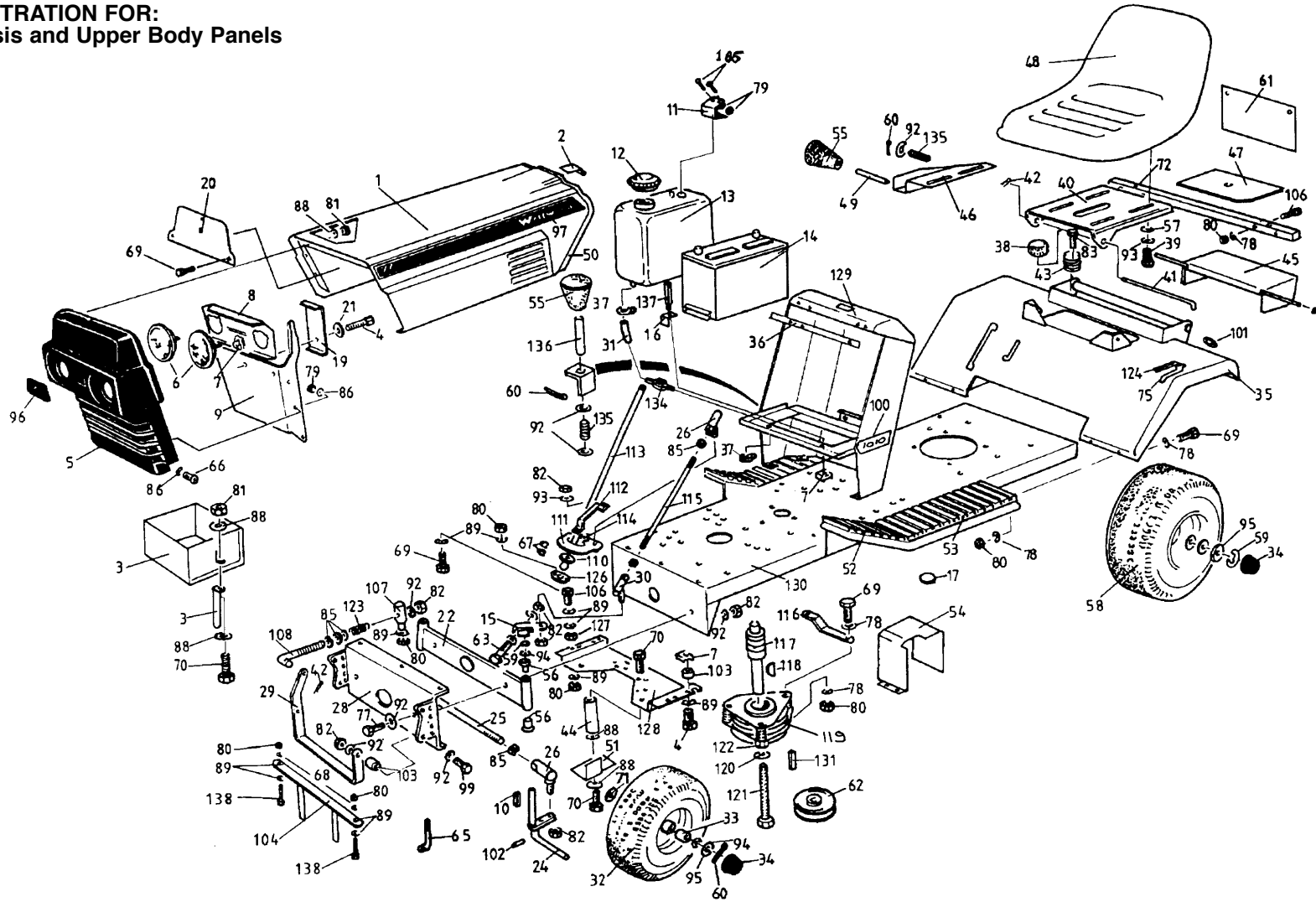


WESTWOOD GARDEN TRACTORS 1994 PARTS CATALOGUE

CONTENTS

	PAGE No.
TRACTOR CHASSIS AND UPPER BODY PANELS	2 – 4
TRANSMISSION, GEAR CHANGE AND PGC LIFTING MECHANISM	5 – 7
ELECTRICS, STEERING, CUTTER ENGAGE, PTO CONTROLS & INSTRUCTION/WARNING LABELS	8 – 10
30" REAR AND SIDE DISCHARGE CUTTER DECKS (TYPE NOS.8608 & 8474)	11 – 12
36" STANDARD CUTTER DECK PART NOS. 8181, 8182, 8191, 8475, 8600 & 8646	13 – 14
42" CONTRA-ROTATING CUTTER DECK PART NO. 8373	15 – 16

**PARTS ILLUSTRATION FOR:
Tractor Chassis and Upper Body Panels**



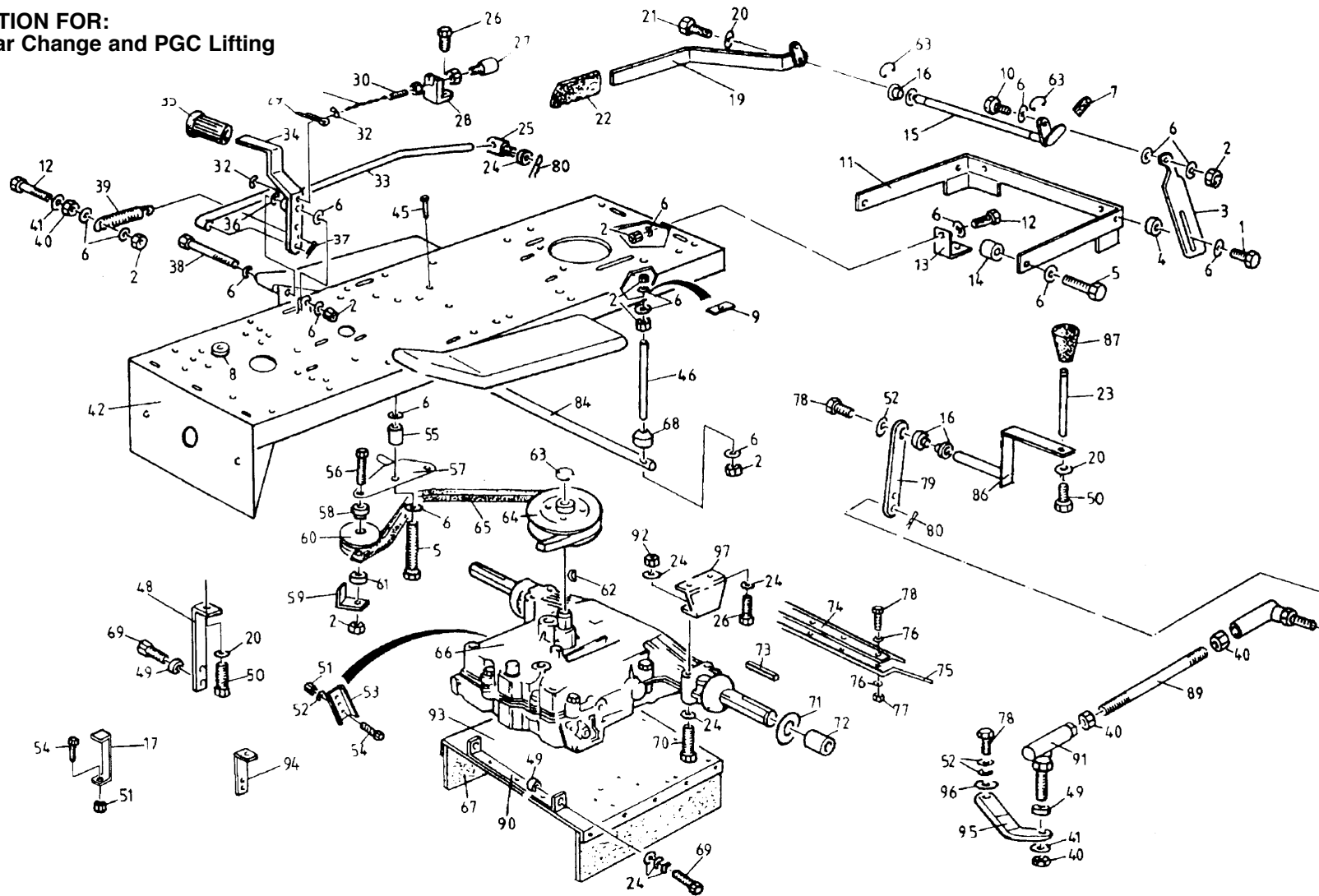
PARTS LIST FOR: Tractor Chassis and Upper Body Panels

Item	Part No	Description	Qty	Item	Part No	Description	Qty	Item	Part No	Description	Qty	
1	8201	Bonnet (1000 Series)	1	31	3859	Pipe, Fuel Supply	a/r	54	6223	Heatshield, Muffler (B&S 10 & 12 ¹ / ₂)	1	
	8496	Bonnet (T Series)	1	32	7520	Front Wheel Assembly (15")	2	55	2648	Knob ³ / ₈ "	3	
2	8551	Bonnet Catch	1		7528	Wheel Rim	2	56	3355	Flanged Bush, Delryn 500 (axlebeam)	4	
3	7599	Air Intake (T1400 & T1800)	1		7518	Tyre	2	57	8566	Seat Spacer ('T' Series)	4	
	7600	Bracket	2		1540	Inner Tube	2	57	8511	Nylon Washer	4	
4	5480	Setscrew, M8 x 30 mm	3		7830	Front Wheel Assembly (13")	2	58	7519	Rear Wheel Assy, 18"	2	
5	4682	Grille	1		7888	Tyre	2		7527	Wheel Rim	2	
6	3727	Headlamp	2		2797	Wheel Rim	2		7517	Tyre	2	
7	4309	Nut, M8 "J" Type	5		1201	Inner Tube	2		1588	Inner Tube	2	
8	6214	Plate, Headlamp Mounting	1	33	3354	Bush, Oilite	4		7831	Rear Wheel Assy, 16"	2	
9	5434	Heat Shield, Grille	1	34	4230	Hub Cap	4		1662	Wheel Rim	2	
10	1098	Key, ³ / ₁₆ " x 1"	1	35	8343	Centre Body Assembly 1000 Series	1		7889	Tyre	2	
11	8202	Bracket, Fuel Tank	1		8205	Centre Body Assembly T Series	1		1748	Inner Tube	2	
12	3963	Cap, Fuel Tank	1	36	8553	Plate, Bonnet Catch	1	59	1663	"E" Clip, (AM1500-75)	2	
13	3960	Fuel Tank	1	37	2828	Clip, Snapper No. 8	2	60	1227	Split Pin, ¹ / ₈ " dia. x 1 ³ / ₄ "	2	
14	1209	Battery, 12 Volt Type 138	1	38	8501	Cap, Seat Spring	2	61	8326	P.T.O. Back Cover	1	
15	4930	Steering Arm	1	39	4109	Setscrew, ³ / ₈ " UNC x 1"	4	62	3750	Engine Pulley	1	
16	7776	Bracket, Battery Clamp	1	40	8206	Plate, Seat Mount LH (1000 Series)	1	63	1267	Bolt, ³ / ₈ " UNF x 2 ¹ / ₂ "	2	
17	4152	Grommet (open) Chassis	3		8207	Plate, Seat Mount RH (1000 Series)	1	64	8509	Blanking Plate Side Discharge (Not illustrated)	1	
18	6776	Locknut, ⁵ / ₁₆ " UNF LH Thread	2		8369	Plate, Seat Delux ('T' Series only)	1		65	3743	Belt Guide Pin	1
19	6215	Plate, Headlamp Retaining	1	41	6646	Pin, Seat Plate	1	66	1735	Machine Screw, 2BA x ³ / ₄ "	4	
20	8487	Heat Shield	1	42	1225	"R" Clip (Large)	2	67	2589	"E" Clip, AM1500-62	2	
21	2847	Washer	1	43	2898	Seat Spring	2	68	4372	Spacer	2	
22	7064	Axle Beam	2	44	7541	Post, Safety Guard	1	69	1982	Setscrew, ⁵ / ₁₆ " UNF x ³ / ₄ "	16	
	1423	Grease Nipple	2	44A	8471	Post	?	70	1156	Setscrew, ¹ / ₄ " UNF x ³ / ₄ " (Bonnet Catch plate)	2	
23	1945	Split ring (Not illustrated)	2	45	8329	PTO Flap ('T' Series Only)	1		71	3713	Wheel Washer Thick	12
24	7103	Stub Axle, Left Hand	1	46	8370	Seat Adjuster Plate ('T' Series only)	1		72	3933	Bar (Mudguard)	1
	7102	Stub Axle, Right Hand	1	47	8209	Plate, PTO Cover	1		73	7235	Headlamp Retaining Strip (Not illustrated)	1
25	7578	Track Rod	1	48	7871	Seat	1		74	7236	Headlamp Plate (Not illustrated)	2
26	6487	Ball Joint, RH Thread	4	49	8371	Plunger, Seat Adjuster ('T' Series)	1		75	3484	Label, Gear Indicator	1
27	7542	Belt Guard (Not illustrated)	1	50	4832	Trim	p/ft		76		Not illustrated	
28	8252	Chassis Bracket (Front)	1	51A	8472	Guard	?		77	1200	Bolt, ³ / ₈ " UNF x 2 ¹ / ₄ "	2
29	7112	Hitch Bracket	1	51	7542	Safety Guard	1					
	7266	Hitch Bracket (T1500 only)	1	52	5644	Foot Mats, Front	1pr					
30	6515	Ball Joint, LH Thread	1	53	5645	Foot Mats, Centre	1pr					

PARTS LIST FOR: Tractor Chassis and Upper Body Panels

Item	Part No	Description	Qty	Item	Part No	Description	Qty	Item	Part No	Description	Qty	
78	1105	Washer, 5/16" dia. (T3L)	24		8402	Logo, T1500 Right Hand	1	124	6661	Label, Gear Change Warning	1	
79	1053	Nut, 2BA Nyloc	4		8403	Logo, T1500 Left Hand	1	125	8473	Compression Spring – Not Illustrated	1	
80	1273	Nut, 5/16" UNF Nyloc	16		8416	Logo, T1800 Right Hand	1	126	1699	Steering Foot	1	
81	1270	Nut, 1/4" UNF Nyloc	9		8417	Logo, T1800 Left Hand	1	127	1969	Locknut, 5/16" UNF	2	
82	1324	Nut, 3/8" UNF Nyloc	24		8412	Side Stripe (long)	1	128	8284	Guard Plate (1012/36 only)	1	
83	2015	Setscrew, 3/8" UNF x 1"	4		8413	Side Stripe (short)	1		4256	Belt Guide	2	
84	7361	Label (P.G.C. Lower) not shown	1	101	4100	Grommet	1	129	8213	Console Assembly	1	
85	3792	Locknut, 3/8" UNF	4	102	1553	Roll Pin, 1/8" dia. x 1 1/2"	2	130	8296	Chassis Assembly	1	
86	1962	Washer, 2BA	4	103	1680	Spacer	2	131	1602	Key, 1/4" Square x 1"	1	
87	7369	Label (P.G.C. Raise) not shown	1	104	8447	Belt Guide Assy S1000 Series	1	132		Not Allocated		
88	1331	Washer, 1/4" dia (T3L)	20	105	4659	Bolt, M5 x 16 mm	1	133	8648	Heat Deflector 'T' Series – Not Illustrated	1	
89	3613	Washer, 5/16" dia. (T3L)	14	106	3608	Setscrew, 5/16" UNF x 1 1/4"	2		134	7331	Fuel Valve	1
90	6636	Spacer (Bonnet) 1000 series only	2	107	7092	Swivel	1		135	2003	Spring, Park Brake	2
91	8471	Finger Guard ('T' Series)		108	8016	Rod, Adjuster	1		136	7383	Plunger, Park Brake	1
		Not Illustrated	1	109		Not Allocated			137	7777	Pillar, Battery Clamp	1
92	1323	Washer, 3/8" dia. (T3L)	20	110	2276	Steering Gear	1		138	1321	Bolt, 5/16" UNF x 1 1/2"	2
93	1633	Washer, 3/8" dia. Shakeproof	4	111	3403	Steering Quadrant	1		139	3683	Spacer (Ball Joint)	1
94	3712	Washer, Shim 20g	14	112	3401	Bridge, Steering Quadrant	1				NOT ILLUSTRATED	
	3713	Washer, Shim 16g	8	113	8212	Steering Column	1			9409	Gear Selector Plate	1
95	3908	Washer, Hub Cap	6	114	3400	Bush, Steering Quadrant	1					
96	4973	Logo "Westwood" Bonnet Front	1	115	8372	Steering Rod	1					
97	4970	Logo "Westwood" Left Hand	1	116	7090	Brace, Electromagnetic Clutch	1					
	8410	Logo "Westwood" Left Hand S1000	2	117	7088	Pulley Block ('T' Series)	1					
	4971	Logo "Westwood" Right Hand	1		7684	Spacer	1					
	8411	Logo "Westwood" Right Hand S1000	1		6796	Pulley Block, S Series	1					
	8441	Logo "Westwood" Small	1	118	4815	Drive Key, 1/4" Square x 7/8"	1					
98	8472	Finger Post (T Series) Not Illustrated	1	119	7259	Clutch, Electric – T Series						
99	1948	Setscrew, 3/8" UNF x 1 1/4"	2		1558	Pulley, Series 1012/36"	1					
100	8405	Logo, 1010	1		3750	Pulley, Series 1010/30"	1					
	8406	Logo, 1012	1	120	8552	Washer	1					
	8408	Logo, 1012H	1		6421	Washer	1					
	8400	Logo, T1300 Right Hand	1	121	027-11127	Bolt, 7/16" UNF x 5"	1					
	8401	Logo, T1300 Left Hand	1		027-11114	Bolt, 7/16" UNC x 4 1/2"	1					
	8414	Logo, T1400 Right Hand	1	122	8552	Shouldered Plug	1					
	8415	Logo, T1400 Left Hand	1	123	7190	Compression Spring	1					

**PARTS ILLUSTRATION FOR:
Transmission, Gear Change and PGC Lifting
Mechanism**



PARTS LIST FOR: Transmission, Gear change and PGC Lifting Mechanism

Item	Part No	Description	Qty
1	7340	Bolt, M10 x 30	2
2	1324	Nut, 3/8" UNF Nyloc	11
3	7715	Lifting Arm	2
4	3146	Spacer	2
5	3610	Setscrew, 3/8" UNF x 1 1/2"	2
6	1323	Washer, 3/8" dia. T3LP	19
7	7851	Rectangular Sleeve	1
8	2351	Spacer, Engine	4
9	8262	Plate, Chassis Strengthening	2
10	1948	Setscrew, 3/8" UNF x 1 1/4"	2
11	8215	Mounting Frame	1
12	1054	Bot, 3/8" UNF x 1 1/2"	1
13	2246	Towing Hitch	1
14	3117	Spacer	2
15	8285	Lifting Shaft	1
16	3539	Bush, Nylon	4
17	3321	Bracket Support	2
18		Not Allocated	
19	8280	Lifting Lever	1
20	3613	Washer, 5/16" dia. T5	8
21	4107	Setscrew, 5/16" UNF x 1/2" Nyloc	2
22	6083	Handgrip	1
23	8540	Handle, Gear Arm	1
24	1105	Washer, 5/16" dia. T3LP	15
25	1694	Swivel	1
26	1982	Setscrew, 5/16" UNF x 3/4"	7
27	3414	Switch, Brake Safety	1
28	6394	Bracket, Safety Switch (long)	1
	6393	Bracket, Safety Switch (short)	1
29	4192	Split Pin, 3/32" dia. x 1/2"	2
30	2594	Spring	1
31	2592	Chain	1
32	1067	Washer, 4BA	4
33	8515	Brake Rod	1
	8303	Brake Rod, 1010/1012	1

Item	Part No	Description	Qty
34	8218	Foot Pedal	1
35	8912	Foot Pedal Rubber	1
36	4124	Washer, 3/8" dia. T5	2
37	1233	Split Pin, 1/8" dia. x 5/8"	2
38	1267	Bolt, 3/8" UNF x 2 1/2"	2
39	2103	Clutch Spring	1
40	3792	Locknut, 3/8" UNF	2
41	1633	Washer, 3/8" dia. Shakeproof	4
42	8296	Chassis	1
43		Not Allocated	
44		Not Allocated	
45	7671	Bolt, M8 x 20 Cup Head	1
46	7283	Stud, Hanger Bar	2
47		Not Allocated	
48	2831	Bracket, Transaxle Front (T Series), Manual	2
	9291	Bracket, Transaxle Front (T series), Hydro	2
	8300	Bracket, Transaxle Front (1000 series)	2
49	3683	Spacer	3
50	2031	Setscrew, 5/16" UNF x 1"	2
51	1270	Nut, 1/4" UNF Nyloc	2
52	1331	Washer, 1/4" dia.	4
53	2356	Plate, Brake Extension	1
54	1156	Setscrew, 1/4" UNF x 3/4"	2
55	6812	Boss, Jockey Plate	1
56	1319	Bolt, 3/8" UNF x 2"	2
57	8253	Plate, Jockey Pulley	1
58	8340	Bush, Jockey Pulley	2
59	5735	Belt Guide	2
60	5730	Jockey Pulley	2
61	2847	Washer, Jockey Pulley	4
62	1104	Key, 3/16" x 3/4"	1
63	4204	Circlip, 5/8" dia.	3
64	8295	Pulley, Transaxle	1

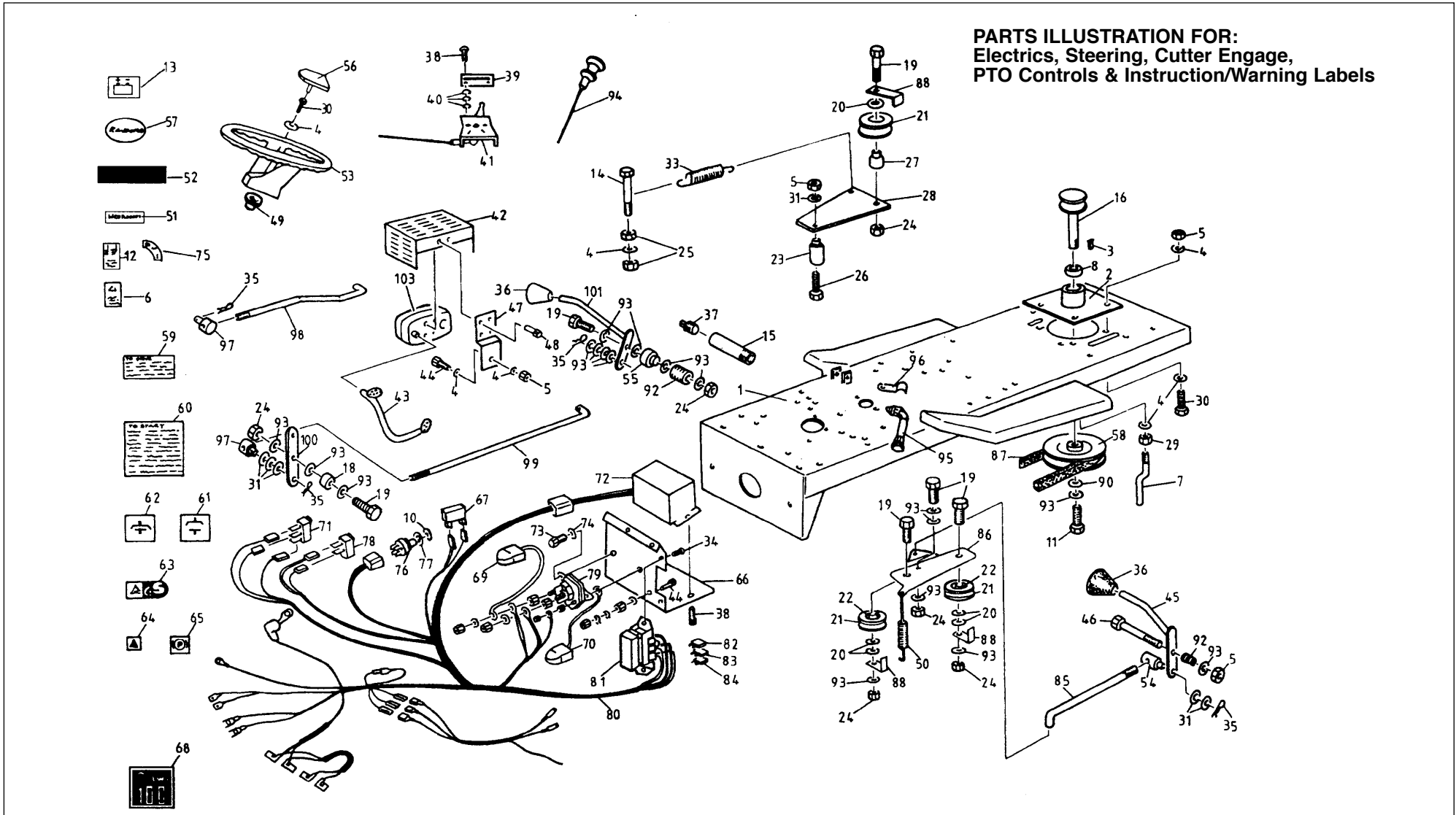
Item	Part No	Description	Qty
65	1688	Belt, Transmission	1
66	2019	Transaxle, Peerless 801-030	1
	8222	Transaxle, Peerless 940 (1000 series)	1
	8350	1012 Hydro Unit	1
	7649	T14/T18 Hydro Unit	1
67	7986	Flap	2
	7898	Retaining Strip	2
68	4328	Spacer, Hanger Bar	1
69	7286	Screw, M8 x 25 mm Taprite	4
70	1978	Bolt, 5/16" UNF x 2 1/2"	4
71	3908	Washer, 3/4" dia. T4L	4
72	1715	Spacer, Rear Wheel	2
73	1664	Key, 3/16" Square x 2"	2
74	4233	Retaining Strip	1
75	4220	Rubber Flap	1
76	4041	Washer, M4	5
77	3711	Nut, M4 Nyloc	5
78	3710	Setscrew, M4 x 12 mm	5
79	7129	Link Arm (1000 Series only)	1
	8558	Link Arm (T Series only)	1
80	4086	"R" Clip (Small)	2
81		Not Allocated	
82		Not Allocated	
83		Not Allocated	
84	3991	Hanger Bar	1
85		Not Allocated	
86	8539	Lever, Gear Change	1
87	2649	Knob, 1/2"	1
88	6626	Swivel, Gear Change (T series)	1
89	6625	Rod, Gear Change	1
	8227	Rod, Gear Change (1000 series)	1
90	3320	Bracket, Grass Deflector Rear	2
91	6487	Ball Joint	1
92	1273	Nut, 5/16" UNF Nyloc	6
93	7897	Grass Deflector	1

**PARTS LIST FOR:
Transmission, Gear change and
PGC Lifting Mechanism**

Item	Part No	Description	Qty
94	8502	Bracket, Transaxle (long)	1
95	6624	Lever, Cranked (T series)	1
	8228	Lever, Cranked (1000 series)	
96	4242	Washer, Gear Change	1
97	3483	Bracket, Transaxle Support	2

Item	Part No	Description	Qty

Item	Part No	Description	Qty



PARTS LIST FOR:

Electrics, Steering, PTO, Engine Ancillaries, Cutter Engage and Instruction/Warning Labels

Item	Part No	Description	Qty	Item	Part No	Description	Qty	Item	Part No	Description	Qty
1	8296	Chassis	1	34	4113	Screw, 2BA x 1"	4	66	8462	Bracket, Solenoid/Fuse/PCB	1
2	8271	Plate, PTO Mounting	1	35	4086	"R" Clip (Small)	3	67	2064	Light, Battery Charge	1
	8209	Plate, Blanking (S800 & S1000)	1	36	2648	Knob	2		2061	Blank, Light Switch	1
3	MX1285	Key, 6mm Square x 15 mm long	1	37	3742	Plug, Oil Drain	1	67A	8841	Light (S Series)	1
4	3613	Washer, 5/16" dia. T5	16	38	2021	Machine Screw, 4BA x 1/2"	2		8840	Blank (S Series)	1
5	1273	Nut, 5/16" UNF Nyloc	9	39	4146	Plate, Throttle	1	68	4972	Label, EEC Noise Conformity	1
6	4851	Label Tie-on, Caution	1	40	1067	Washer, 4BA	6	69	8233	Battery Connector, Positive	1
7	6662	Guide, PTO Belt	2	41	1507	Throttle	1	70	8234	Battery Connector, Negative	1
8	3229	Bearing	6		7348	Throttle (T1400 & T1800 only)	1	71	8161	Switch, Cutter Engage	1
9	7385	Label, Throttle (Not shown)	1		8569	Throttle	1	72	8062	PCB assembly	1
10	5600	Bezel	1	42	7751	Shield, Muffler (B&S 14hp)	1	73	1156	Setscrew, 1/4" UNF x 3/4"	2
11	1054	Setscrew, 3/8" UNF x 1 1/2"	11	43	7548	Muffler, Exhaust (B&S 14hp)	1	74	1331	Washer, 1/4" dia. T3L	3
12	3439	Label, Height Adjuster	1	44	2031	Setscrew, 5/16" UNF x 1"	2	75	7359	Label, Ignition	1
13	8162	Label, Charging Indicator	1	45	8538	Lever, PTO Engage	1	76	2703	Switch Ignition	1
14	3396	Bolt, 1/4" UNF x 2 1/2"	1	46	1318	Bolt, 5/16" UNF x 2"	1	77	6523	Washer, Ignition Switch	1
15	7537	Tube, Oil Drain	1	47	7592	Bracket, Muffler (B&S 14hp)	1	78	8160	Switch, Headlamp	1
	7852	Tube, Oil Drain (T1400 & T1800)	1	48	2030	Setscrew, 1/4" UNC x 3/4"	4	79	1530	Solenoid	1
16	8286	Pulley & Shaft Assembly, PTO Drive	1	49	3539	Bush	2	80	8073	Wiring Loom (S Series)	1
17		Not Allocated		50	2594	Spring	1		9028	W/Loom (T1300)	1
18	1422	Nut, 3/8" UNF	1	51	8441	Label, Westwood (1000 series)	1		8640	W/Loom (T1500)	1
19	1319	Bolt, 3/8" UNF x 2"	6	52	8581	Label, Black (1000 series)	1		8063	Wiring Loom (T1400)	1
20	2847	Washer, Jockey Pulley	6	53	8344	Steering Wheel	1	81	8176	Fuse Holder	1
21	5730	Jockey Pulley	3	54	6817	Swivel, Adjuster Rod	1	82	8177	Fuse, 1 amp	1
22	8220	Bush, Jockey Pulley	2	55	3146	Spacer	1	83	8178	Fuse, 10 amp	1
23	8341	Spacer, PTO Plate	1	56	8590	Cap, Steering Wheel	1	84	6789	Fuse, 20 amp	1
24	1324	Nut, 3/8" UNF Nyloc	4	57	7394	Insert, Steering Wheel	1	85	7107	Rod, Adjustable	1
25	1270	Nut, 1/4" UNF Nyloc	2	58	8337	Pulley Assembly - 5"	1	86	8310	Plate, Jockey	1
26	1978	Setscrew, 5/16" UNF x 2 1/2"	1	59	8583	Label, "TO DRIVE" Manual	1	87	7229	Belt, PTO	1
27	8340	Bush, PTO Jockey Plate	2		8739	Label, "TO DRIVE" Hydro models			7726	Belt, PTO (T series)	1
28	8232	Plate, PTO Jockey Pulley	1	60	8582	Label, "TO START" Manual	1	88	5735	Belt Guide	3
29	1969	Nut, 5/16" UNF Plain	1	61	3435	Label, Cutter Disengage	1	89	N/A	Mufflers, refer to Briggs & Stratton	1
30	1982	Setscrew, 5/16" UNF x 3/4"	3	62	3436	Label, Cutter Engage	1	90	3635	Washer	1
31	1105	Washer, 5/16" dia.	3	63	MX672	Label, "GS" TÜV Licence Mark	1	91	8418	Spacer, PTO Jockey - not shown	1
32	3463	Spring, Brake Stop (Not shown)	2	64	4967	Label, Hazard Warning	3	92	1613	Spring	2
33	2103	Spring	2	65	3437	Label, Park Brake	1	93	1323	Washer, 3/8" dia.	9

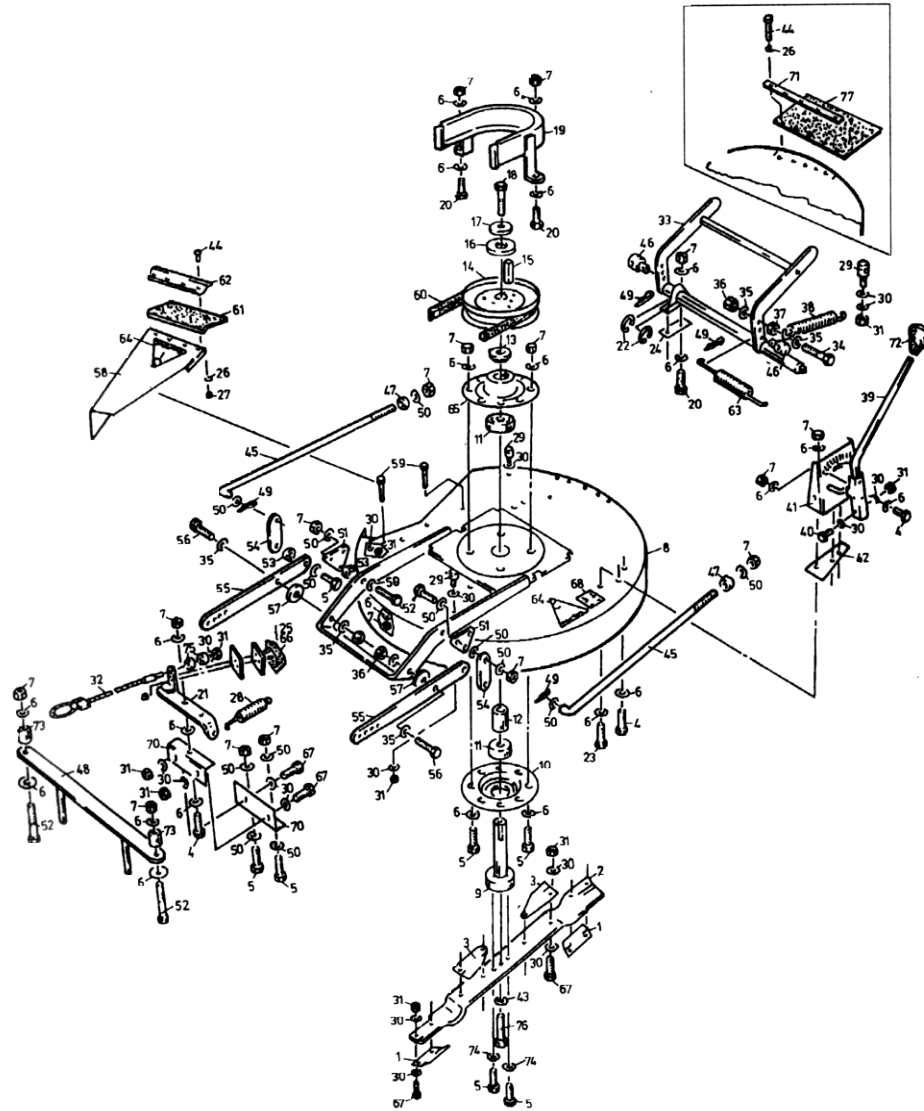


PARTS LIST FOR:
Electrics, Steering, PTO, Engine Ancillaries,
Cutter Engage and Instruction/Warning Labels

Item	Part No	Description	Qty
94	3559	Choke Control (T1400 & T1800)	1
95	7852	Oil Drain and Adaptor (T1400)	1
96	7853	Clip, Drain Pipe (T1400)	1
97	1695	Swivel, Engage Rod	1
98	6395	Engage Rod, Short	1
99	6396	Engage Rod, long (S Series only)	1
100	6397	Link, Transfer (S Series only)	1
101	6400	Lever, Engage (S Series only)	1
102	8055	Relay in Harness (Not illustrated)	1
103	7627	Muffler (Square)	1

Item	Part No	Description	Qty

Item	Part No	Description	Qty



**PARTS ILLUSTRATION FOR:
30" Rear and Side Discharge Cutter Decks
(Type Nos. 8608 & 8474)**



PARTS LIST FOR:

30" Rear Discharge Cutter Deck (Type No. 8608)
30" Side Discharge Cutter Deck (Type No. 8474)

Item	Part No	Description	Qty
1	4314	Blade extension, small	2
2	5453	Cutter blade	1
	6093	Reinforcing strip	1
3	4317	Blade extension, large	2
4	2031	Setscrew, 5/16" UNF x 1"	18
5	1982	Setscrew, 5/16" UNF x 3/4"	4
6	1970	Washer, 5/16" dia.	22
7	1273	Nut, 5/16" UNF Nyloc	26
8	3871	Deck, Side Discharge	1
	8611	Deck, Rear Discharge	1
9	3759	Cutter shaft	1
10	3552	Bearing housing (lower)	1
11	1180	Bearing, NSK6205-RS	2
12	4848	Spacer, bearing	1
13	2412	Spacer, pulley	1
14	5435	Pulley, 8" dia.	1
15	3841	Key, 1/4" square x 1"	1
16	3635	Washer	1
17	1006	Washer, spring domed	1
18	1051	Setscrew, 3/8" UNF x 1" NYLOC	1
19	2425	Pulley guard	1
20	2032	Bolt, 5/16" UNF x 1 1/4"	2
21	3737	Brake arm	1
22	1663	"E" Clip	2
23	3608	Setscrew, 5/16" UNF x 1 1/4"	2
24	3781	Spacer plate	1
25	1956	Screw, Self tapping No. 8	2
26	1962	Washer, 2BA	9
27	1053	Nut, 2 BA	5
28	2103	Tension spring	1
29	3516	Pin, spring retaining	3
30	1331	Washer, 1/4" dia.	25
31	1270	Nut, 1/4" UNF Nyloc	16
32	3739	Brake cable	1
33	3884	Hanger bar	1

Item	Part No	Description	Qty
34	2025	Bolt, 3/8" UNF x 2 1/2"	2
35	1323	Washer, 3/8" dia.	14
36	1324	Nut, 3/8" UNF Nyloc	7
37	3792	Locknut, 3/8" UNF	2
38	2217	Tension spring	2
39	3881	Lever, height adjuster	1
40	2022	Bolt, 1/4" UNF x 1 1/4"	1
41	3883	Quadrant, height adjuster	1
42	2429	Reinforcing plate	1
43	1633	Washer, 3/8" shakeproof	1
44	1735	Machine screw, 2BA x 3/4"	4
45	3734	Hitch rod	2
46	3740	Pivot, hitch rod	2
47	3397	Spacer	1
48	3746	Belt guide	1
49	1233	Split pin, 1/8" dia. x 1"	4
50	1105	Washer, 5/16" dia.	34
51	3907	Link plate	2
52	1321	Bolt, 5/16" UNF x 1 1/2"	2
53	3691	Bush	2
54	3760	Link plate	2
55	2420	Hitch bar	2
56	3610	Setscrew, 3/8" UNF x 1 1/2"	2
57	4124	Washer, 3/8" dia.	2
58	8077	Cutter guard (S/D only)	1
59	2015	Setscrew, 3/8" UNF x 1"	3
60	9095	Drive belt	1
61	3905	Rubber flap	1
62	3903	Retaining plate	1
63	2595	Tension spring	1
64	7515	Warning label	2
65	8048	Bearing housing (upper)	1
	1423	Grease nipple	1
66	3730	Brake block	1
67	1156	Setscrew, 1/4" UNF x 3/4"	8

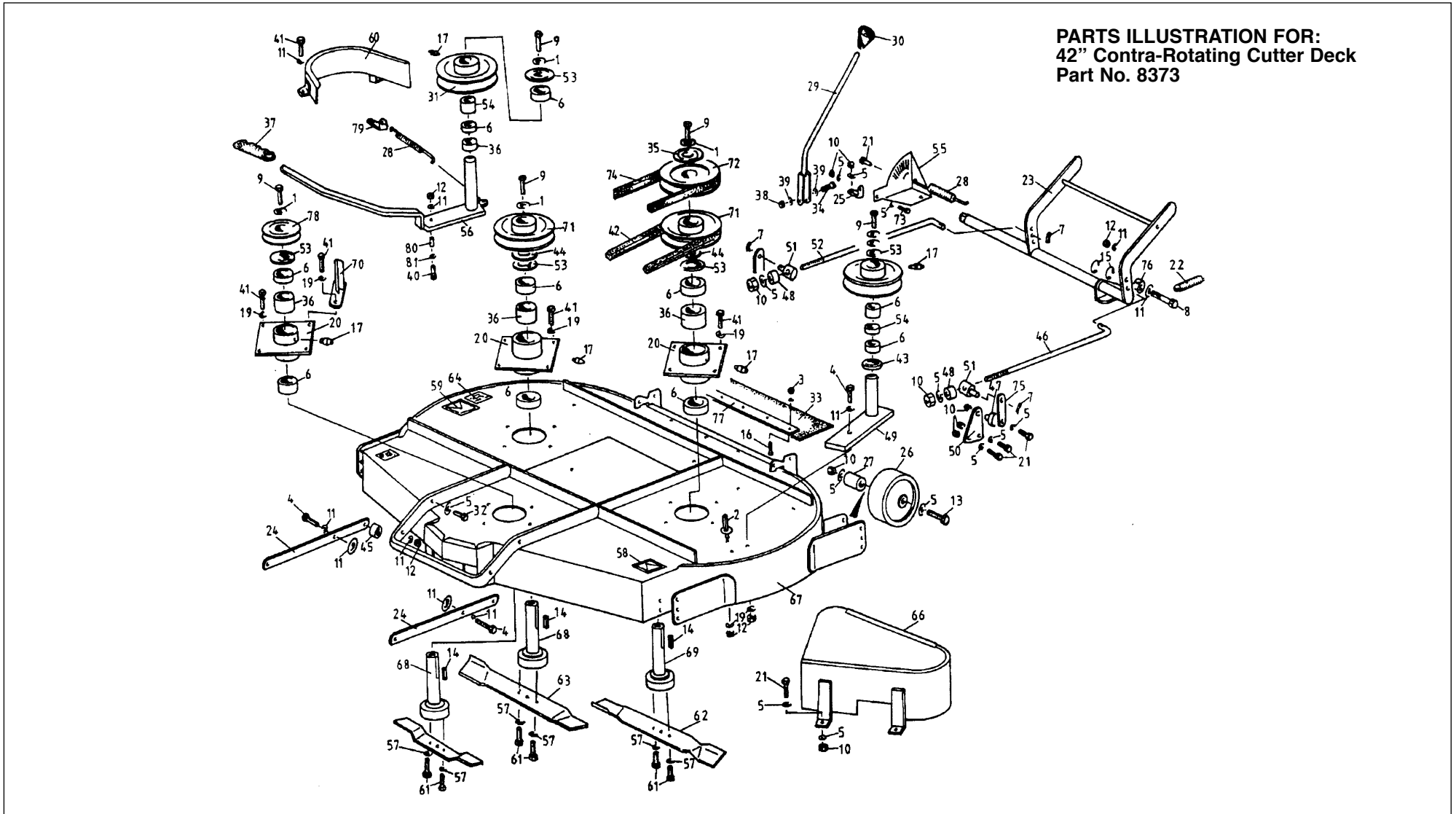
Item	Part No	Description	Qty
68	3439	Label, height adjuster	1
69	3618	Washer	1
70	4320	Brake arm support	2
71	4942	Retaining strip (R/D only)	
72	2649	Knob	1
73	4372	Spacer	2
74	2048	Washer	2
75	3329	Spacer	1
76	082-1025	Setscrew, 3/8" UNF x 1"	1
77	4220	Rubber Flap	1



PARTS LIST FOR: 36" Standard Cutter Deck

Part Nos. 8181, 8182, 8191, 8475, 8600 & 8646

Item	Part No	Description	Qty	Item	Part No	Description	Qty	Item	Part No	Description	Qty
1	1006	Washer, hardened domed	2		3329	Spacer, 7/16" long	3	67	4941	Brake cable (8181 & 8475)	1
2	1051	Setscrew, 3/8" UNF x 1"	2	36	3439	Label, height adjuster	1	68	4233	Retaining strip	2
3	1053	Nut, 2BA Nyloc	7	37	3516	Spring retainer		69	9025	Cutter blade	2
4	1076	Tension spring	2	38	3552	Bearing housing (lower)	2	69A	8824	Blade spacer	4
5	1105	Washer, 5/16" dia.	28	39	8048	Bearing housing (upper)	2	70	7997	Plate, attachment	1
6	1156	Setscrew, 1/4" UNF x 3/4"	2	40	3610	Setscrew, 3/8" UNF x 1/2"	4	71	4946	Brake arm (8181 & 8475)	2
7	1180	Bearing, NSK6205-RS	4	41	2209	Deflector rubber	1	72	7515	Label, hazard warning	1
8	2025	Bolt, 3/8" UNF x 2 3/4"	2	42	3616	Washer, 5/16" dia.	2	73	1721	Belt (8181, 8475 & 8600)	1
9	1233	Split pin, 1/8" dia x 3/4"	4	43	3635	Washer	2		7604	Belt (8182 & 8646)	1
10	1270	Nut, 1/4" UNF Nyloc	5	44		Not Allocated	1		7675	Belt (8191)	1
11	1273	Nut, 5/16" UNF Nyloc	32	45	3841	Key, 1/4" square x 3/4"	2	74	1312	Bolt, 5/16" UNF x 3"	4
12	1318	Bolt, 5/16" UNF x 2"	2	46	3730	Brake block (8181 & 8475)	2	75	4774	Sleeve	4
13	1323	Washer, 3/8" dia	8	47	3740	Pivot, lift rod	2	76	7320	Wheel, anti scalp	4
14	1324	Nut, 3/8" UNF Nyloc	4	48	3753	Quadrant, height adjuster	1				
15	1331	Washer, 1/4" dia.	2	49	8150	Cutter shaft	2				
16	1633	Washer, 3/8" shakeproof	2	50	3779	Spacer plate (Quadrant)	1				
17	1663	"E" Clip, AM1500-75	2	51	3781	Spacer plate (Hanger bkt)	1				
18	1735	Screw, 2BA x 3/4" long	9	52	3792	Locknut, 3/8" UNF	4				
19	1956	Screw, No. 8 x 1" Self tap	4	53	3907	Link plate	2				
20	1962	Washer, 2BA	8	54	7386	Pulley	2				
21	1970	Washer, 5/16" dia.	33		3943	Pulley (8475 only)	2				
22	1982	Setscrew, 5/16" x 3/4"	17	55	4124	Washer, 3/8" dia.	2				
23	2022	Bolt, 1/4" UNF x 1 1/4"	1	56	4220	Rubber flap	1				
24	2031	Setscrew, 5/16" UNF x 1"	10	57	4221	Bush, link	2				
25	2048	Washer, 5/16" shakeproof	4	58	3760	Link arm	2				
26	2103	Spring tension (8181 & 8475)	1	59	4232	Pillar, brake arm (8181 & 8475)	1				
27	2395	Hanger bracket assembly	1	60		Not Allocated					
28	2410	Hitch bar	2	61	8145	Bridge, brake arm (8181 & 8475)	2				
29	8149	Bush, pulley	2	62	4848	Spacer, bearing	2				
30	2595	Tension spring	1	63	7387	Deck shell	1				
31	7646	Lever, height adjuster	1		4934	Deck shell (8181 & 8475)	1				
32	2649	Knob	1		8601	Deck shell (8182, 8600)	1				
33		Not Allocated	1	64	8144	Guard, pulley/belt	1				
34		Not Allocated	1	65	4939	Hitch rod, RH	1				
35	3397	Spacer, 1/4 long	4	66	4940	Hitch rod, LH	1				



**PARTS ILLUSTRATION FOR:
42" Contra-Rotating Cutter Deck
Part No. 8373**

PARTS LIST FOR: 42" Contra-Rotating Cutter Deck Part No. 8373

Item	Part No	Description	Qty
1	1006	Washer, hardened domed	3
2	6748	Cam adjuster shaft	1
3	1053	Nut, 2BA Nyloc	5
4	6119	Bolt, M10 x 40 mm long	2
5	6122	Washer, M8 (Form B)	29
6	1180	Bearing, NSK6205-RS	10
7	1233	Split pin, 1/8" dia x 3/4" long	4
8	6317	Bolt, M10 x 70mm long	2
9	094-1025	Setscrew, M10 x 25	9
10	2044	Nut, M8 Nyloc	24
11	6125	Washer, M10	22
12	2761	Nut, M10 Nyloc	9
13	7046	Bolt, M8 x 80	4
14	3841	Drive key, 1/4" square	4
15	1663	"E" Clip (A1500-75)	2
16	1735	Screw 2BA x 3/4" Pozi-Pan	5
17	1423	Grease nipple	5
18	030-1030	Bolt, M10 x 30	1
19	6124	Washer, M10 (Form B)	11
20	8384	Bearing housing	3
21	4111	Setscrew, M8 x 25	12
22	1076	Tension spring	2
23	8420	Hanger bracket	1
24	2410	Hitch bar	2
25	4876	Quadrant bracket	1
26	7320	Wheel, anti-scalp	4
27	4774	Sleeve	4
28	2595	Spring	2
29	7646	Lever, height adjuster	1
30	2649	Knob	1
31	8560	Bearing housing, Idler pulley	2
32	3653	Setscrew, M8 x 40 mm	2
33	3286	Rubber flap	1
34	030-0635	Bolt, M6 x 35	1
35	3635	Washer	1

Item	Part No	Description	Qty
36	8389	Spacer, bearing	3
37	6083	Handgrip	1
38	084-06	Nut, M6	1
39	019-0601	Wahser, 1/4" dia.	2
40	074-1035	Bolt, M10 cup head	1
41	094-1025	Setscrew, M10 x 25	13
42	MX1281	Belt	1
43	5720	Washer	1
44	8572	Spacer Ring	2
45	3146	Spacer	2
46	8396	Hitch rod, left hand	1
47	8634	Bush, link	2
48	3683	Spacer	3
49	8428	Idler Shaft Assembly	1
50	8633	Link Plate	2
51	8639	Pivot, lift rod	2
52	8397	Hitch rod, right hand	1
53	8437	Pulley Shroud	5
54	8485	Idler Spacer	2
55	3794	Quadrant	1
56	8488	Engine Idler Assembly	1
57	2048	Washer, 5/16" Shakeproof	6
58	4967	Label, Caution	1
59	7515	Label Hazard Warning	2
60	8425	Guard, RH	1
61	5849	Setscrew, M8 x 20 Patchlock	2
62	8768	Blade, left hand	1
63	8769	Blade, right hand	1
64	3439	Label, height adjuster	1
65	8770	Centre Blade	1
66	8424	Guard LH	1
67	8388	Cutter Deck	1
68	8435	Cutter shaft, short	2
69	8387	Cutter shaft, long	1
70	8426	Guard, central	1

Item	Part No	Description	Qty
71	8499	Pulley Assembly	2
72	8500	Pulley Assembly	1
73	2764	Setscrew, M8 x 20 mm	16
74	MX1284	Drive belt	1
75	3760	Link Plate	2
76	6116	Nut, M10 plain	2
77	8508	Retaining strip	1
78	8385	Pulley	1
79	8571	Bracket, Spring Retaining	1
80	8576	Spacer Tube	1
81	1976	Washer, 5/8" dia.	1