



# PIECES DETACHEES

*Motoculteur*

**KS650**



Yvon Béal 21, Av. de l'agriculture - B.P. 16  
Z.I. du Bézoué 63014 Clermont-Ferrand Cedex 2  
Tél : 04 73 91 92 51 Téléphone : 04 73 90 23 11  
www.yvonbeal.fr Email : info@yvonbeal.fr  
R.C.B. 304 973 886 - SIREN 304 973 886

1300-098-0120-2

**03-000157-050215**



## CONTENTS

	ENGINE (KF64 forKS650)	PAGE
Fig. 1	ENGINE ..... Moteur	1
Fig. 2	AIR CLEANER ..... Filtre a air	6
Fig. 3	MAGNETO ..... Decanteur	7
Fig. 4	CARBURETOR ..... Carburateur	8
<b>CHASSIS</b>		
Fig. 5	BONNET AND FUEL TANK ..... Reservoir & capot	11
Fig. 6	FRAME AND FENDER ..... Longeron & garde-boue	15
Fig. 7	MAIN GEAR CASE ..... Boitier de reducteur	19
Fig. 8	TRANSMISSION GEAR ..... Reducteur	<del>23</del>
Fig. 9	SHIFTER ..... Fourchettes	27
Fig. 10	SUB TRANSMISSION ..... Boite de vitesses sub.	29
Fig. 11	TENSION AND BRAKE SYSTEM ..... Embrayage & frein	33
Fig. 12	HANDLE FRAME ..... Mancherons	39
Fig. 13	CONTROL LEVER ..... Commandes	45
Fig. 14	RECOIL STARTER ..... Lanceur	51
Fig. 15	WHEEL ..... Roues	53
Fig. 16	COUNTER CHAIN CASE ..... Chaine intermediaire	55

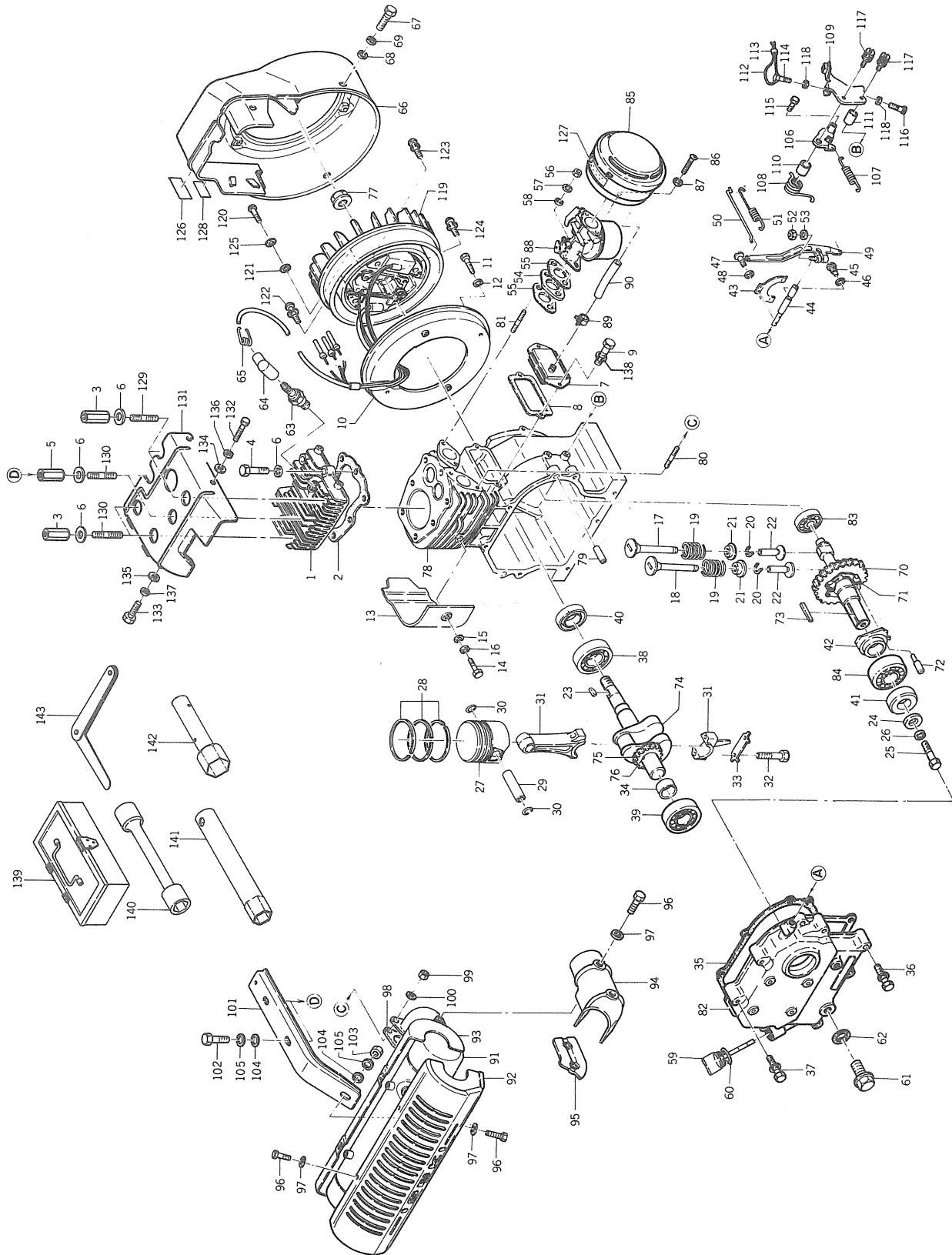
		PAGE
Fig. 17	ROTARY CHAIN CASE ..... Transmission de rotobineuse	57
Fig. 18	ROTARY FRAME ..... Enveloppe de rotobineuses	61
Fig. 19	ROTARY PIPE ..... Fraise	65
Fig. 20	REAR WHEEL ..... Roue de profondeur	67
Fig. 21	TOOLS ..... Outils	69
Fig. 22	ROTARY BELT DRIVE ..... Courroie intermediaire	73
Fig. 23	BACKPROOF DEVICE ..... Mechanisme de securite	75
Fig. 24	ROTARY CHAIN CASE ..... Transmission de rotobineuse	77
Fig. 25	ROTARY SHIFTER ..... Embrayage de rotobineuse	79
Fig. 26	ROTARY PIPE ..... Fraise	81
Fig. 27	ROTARY FRAME ..... Enveloppe de rotobineuses	83

M O T E U R - K F 6 4

( P O U R K S 6 5 0 )

\*\*\*\*

Fig. 1 ENGINE  
Moteur



Ref No. Réf No.	Parts No. Pièces No.	Description Désignation	Model & Qty Modél & Quant	Remarks Remarques
1- 1	5164-701-1110-0	HEAD, CYLINDER Culasse	1	316470-1111-00
1- 2	5164-701-1210-0	GASKET, HEAD Joint	1	316470-1121-00
1- 3	5182-911-1830-0	NUT, LONG Erou	4	318291-1183-00
1- 4	5110-G10-45XX-X	BOLT Vis	1	110G 1045
1- 5	5164-911-1830-0	NUT, LONG Erou colonne	2	316491-1183-00
1- 6	5410-B10-00XX-X	WASHER Rondelle	7	410B 1000
1- 7	5164-701-2310-4	COVER, INSPECTION Porte de visite	1	316470-1231-04
1- 8	5164-701-2320-0	GASKET Joint	1	316470-1232-00
1- 9	5110-B06-12XX-X	BOLT Vis	2	110B 0612
1-10	5164-931-6120-1	CASE, SPIRAL Flasque de volant	1	316493-1612-01
1-11	5110-B06-12XX-X	BOLT Vis	4	110B 0612
1-12	5461-F06-00AX-X	WASHER, SPRING Rondelle frein	4	461F 0600A
1-13	5164-931-6320-1	COVER, CYLINDER Couvre cyl.	1	316493-1632-01
1-14	5110-B06-12XX-X	BOLT Vis	1	110B 0612
1-15	5410-B06-00XX-X	WASHER Rondelle	1	410B 0600
1-16	5461-F06-00AX-X	WASHER, SPRING Rondelle frein	1	461F 0600A
1-17	5164-702-1110-0	VALVE, INLET Soupape adm.	1	316470-2111-00
1-18	5164-702-1120-1	VALVE, EXHAUST Soupape ech.	1	316470-2112-01
1-19	5152-502-1130-0	SPRING, VALVE Ressort	2	315250-2113-00
1-20	5164-702-1150-0	COLLET Collet	2	316470-2115-00
1-21	5164-702-1160-0	SEAT, SPRING Cuvette	2	316470-2116-00
1-22	5164-702-2110-0	TAPPET Poussoir	2	316470-2211-00
1-23	5136-502-3710-0	KEY Clavette	1	313650-2371-00
1-24	5164-913-2740-0	WASHER Rondelle	1	316491-3274-00
1-25	5110-B08-25AX-X	BOLT Vis	1	110B 0825A
1-26	5461-F08-00XX-X	WASHER, SPRING Rondelle frein	1	461F 0800
1-27	5164-703-1110-2	PISTON Piston	1	316470-3111-02
1-28	5164-703-0100-0	PISTON RING SET Segmentation	1	316470-3010-00
1-29	5164-703-1210-0	PIN, PISTON Axe de piston	1	316470-3121-00
1-30	5164-703-1220-0	RING, SNAP Collet d'axe	2	316470-3122-00
1-31	5164-703-2400-0	CONNECTING ROD ASSY Bielle	1	316470-3240-00
1-32	5164-703-2450-0	BOLT, CONNECTING ROD Vis	2	316470-3245-00
1-33	5164-703-2480-0	PLATE, LOCK Rondelle	1	316470-3248-00
1-34	5164-703-2610-0	COLLAR Entretoise	1	316470-3261-00
1-35	5164-704-1240-0	GASKET Joint	1	316470-4124-00
1-36	5181-B08-43XX-X	BOLT Vis	5	181B 0843
1-37	5181-B08-40XX-X	BOLT Vis	2	181B 0840
1-38	5601-A63-06XX-X	BEARING, BALL Roulement	1	601A 6306

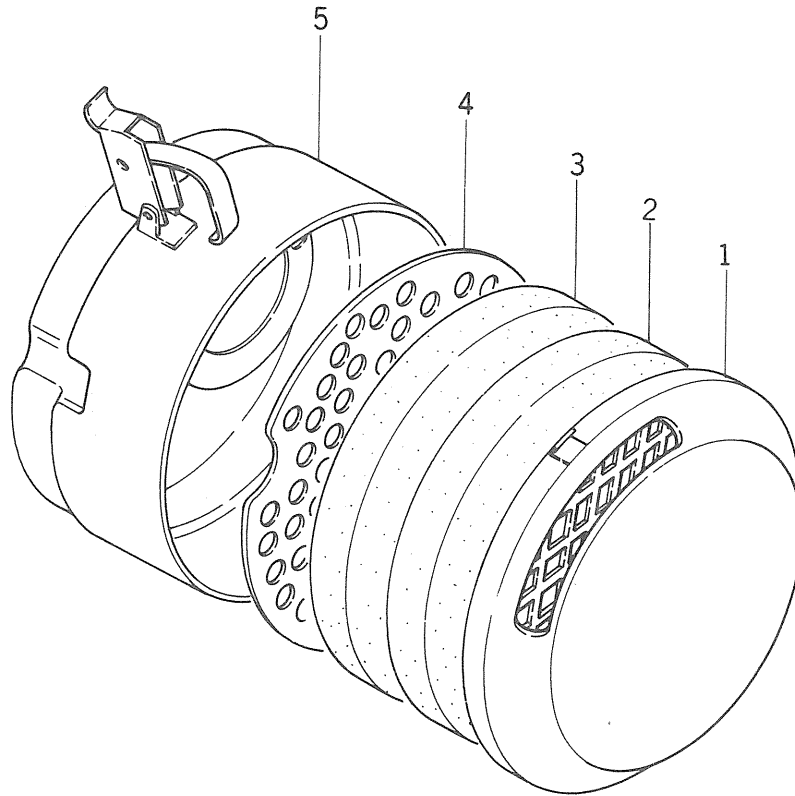
Ref No. Réf N°.	Parts No. Pièces N°.	Description Désignation	Model & Q'ty Modél & Quant	Remarks Remarques
1-39	5601-A62-06XX-0	BEARING, BALL Roulement	1	601A 6206
1-40	5146-704-2310-0	SEAL, OIL Bague d'étancheite	1	316470-4231-00
1-41	5152-504-2350-0	SEAL, OIL Bague d'étancheite	1	315250-4235-00
1-42	5164-705-1210-0	SLEEVE, GOVERNOR Manchon	1	316470-5121-00
1-43	5164-705-1220-0	TIP, GOVERNOR Doigt	1	316470-5122-00
1-44	5164-705-1230-0	SHAFT, GOVERNOR Axe	1	316470-5123-00
1-45	5162-905-1240-0	STOPPER Vis	1	316290-5124-00
1-46	5151-921-2330-0	GASKET Joint	1	315192-1233-00
1-47	5214-B04-06AX-0	SCREW Vis	2	214B 0406A
1-48	5461-F04-00XX-0	WASHER, SPRING Rondelle frein	2	461F 0400
1-49	5164-705-2110-0	ARM, GOVERNOR Bras	1	316470-5211-00
1-50	5135-505-2310-0	LINK, GOVERNOR Bielle	1	313550-5231-00
1-51	5135-505-2320-0	SPRING, LINK Ressort	1	313550-5232-00
1-52	5311-B06-00AX-X	NUT Ecrou	1	311B 0600
1-53	5461-F06-00AX-X	WASHER, SPRING Rondelle frein	1	461F 0600A
1-54	5151-926-1810-0	INSULATOR Isolant	1	315192-6181-00
1-55	5151-926-1840-0	GASKET Joint	2	315192-6184-00
1-56	5312-B06-00XX-X	NUT Ecrou	2	312B 0600
1-57	5461-F06-00AX-X	WASHER, SPRING Rondelle frein	2	461F 0600A
1-58	5410-B06-00XX-X	WASHER Rondelle	2	410B 0600
1-59	5164-707-4110-0	GAUGE, OIL Jauge	1	316470-7411-00
1-60	5151-927-4320-0	O-RING Joint torique	1	315192-7432-00
1-61	5182-947-4410-0	PLUG, DRAIN Bouchon	1	318294-7441-00
1-62	5312-017-2140-0	GASKET Joint	1	331201-7214-00
1-63	5123-018-4100-6	PLUG, SPARK Bougie	1	312301-8410-06
1-64	5172-708-418A-X	CAP, PLUG Capuchon	1	317270-8418A
1-65	5172-708-419A-X	SPRING Ressort	1	317270-8419A
1-66	5164-911-6110-7	CASE, SPIRAL Volute	1	316491-1611-07
1-67	5110-B06-12XX-X	BOLT Vis	4	110B 0612
1-68	5410-B06-00XX-X	WASHER Rondelle	4	410B 0600
1-69	5461-F06-00AX-X	WASHER, SPRING Rondelle frein	4	461F 0600A
1-70	5164-702-3100-2	CAM SHAFT ASSY A.C.	1	316470-2310-02
1-71	5164-705-1100-0	GOVERNOR ASSY Regulateur	1	316470-5110-00
1-72	5135-015-1150-0	PIN, GUIDE Palpeur	1	313501-5115-00
1-73	5511-A07-35XX-X	KEY Clavette	1	511A 0735
1-74	5164-703-2100-1	CRANK SHAFT ASSY Vilebrequin	1	316470-3210-01
1-75	5164-703-2170-1	GEAR, CRANK GEAR Pignon	1	316470-3217-01
1-76	5132-522-3710-0	KEY, CRANK GEAR Clavette	1	313252-2371-00



Ref No. Réf N°.	Parts No. Pièces N°.	Description Désignation	Model & Q'ty Modél & Quant	Remarks Remarques	
1- 77	5132-523-4810-0	NUT Erou	1	313252-3481-00	
1- 78	5164-914-110B-X	CRANK CASE ASSY Carter	1	316491-4110B	
1- 79	5551-A08-16XX-X	·PIN, DOWEL Pion	2	551A 0816	
1- 80	5171-G08-18XX-X	·STUD Goujon	2	171G 0818	
1- 81	5171-G06-25XX-X	·STUD Goujon	2	171G 0625	
1- 82	5164-914-1210-4	SIDE BASE Joue de carter	1	316491-4121-04	
1- 83	5601-A62-02XX-X	BEARING, BALL Roulement	1	601A 6202	
1- 84	5601-A62-06XX-X	BEARING, BALL Roulement	1	601A 6206	
1- 85	5164-911-3100-0	AIR CLEANER ASSY Filtre a air	1	316491-1310-00	See Fig. 2 Voir Fig. 2
1- 86	5214-B05-10AX-X	SCREW Vis	2	214B 0510A	
1- 87	5461-F05-00AX-X	WASHER, SPRING Rondelle frein	2	461F 0500A	
1- 88	5164-916-1000-0	CARBURETOR ASSY Carburateur	1	316491-6100-00	See Fig. 4 Voir Fig. 4
1- 89	5136-791-5320-0	CLAMP Collier	1	313679-1532-00	
1- 90	5700-S71-000X-X	PIPE (L=96mm) Conduit	1	700S 71000	
1- 91	5164-801-4000-0	MUFFLER ASSY Silencieux	1	316480-1400-00	
1- 92	5164-801-4310-0	·COVER, MUFFLER Protecteur	1	316480-1431-00	
1- 93	5164-801-4320-0	·COVER, MUFFLER Protecteur	1	316480-1432-00	
1- 94	5164-801-4330-0	·COVER Protege pipe	1	316480-1433-00	
1- 95	5164-801-4340-0	·COVER Protege pipe	1	316480-1434-00	
1- 96	5110-B06-10XX-X	·BOLT Vis	8	110B 0610	
1- 97	5461-F06-00AX-X	·WASHER, SPRING Rondelle frein	8	461F 0600A	
1- 98	5164-701-4420-0	GASKET Joint	1	316470-1442-00	
1- 99	5311-R08-00AX-X	NUT Erou	2	311R 0800A	
1-100	5461-F08-00XX-X	WASHER, SPRING Rondelle frein	2	461F 0800	
1-101	5164-911-4450-0	STAY Bride	1	316491-1445-00	
1-102	5110-B10-20XX-X	BOLT Vis	2	110B 1020	
1-103	5311-B10-00XX-X	NUT Erou	1	311B 1000	
1-104	5411-B10-00XX-X	WASHER Rondelle	3	411B 1000	
1-105	5461-F10-00AX-X	WASHER, SPRING Rondelle frein	3	461F 1000A	
1-106	5164-915-3100-0	LEVER ASSY Levier	1	316491-5310-00	
1-107	5164-705-3140-0	SPRING, GOVERNOR Resort	1	316470-5314-00	
1-108	5136-905-3170-0	SPRING Resort	1	313690-5317-00	
1-109	5136-905-3310-6	PLATE, CONTROL Plaque	1	313690-5331-06	
1-110	5182-905-3320-0	COLLAR Coussinet	1	318290-5332-00	
1-111	5182-905-3330-0	COLLAR Coussinet	1	318290-5333-00	
1-112	5342-905-3510-0	WIRE Fil	1	334290-5351-00	
1-113	5322-015-3520-0	CLAMP Arretoir	1	332201-5352-00	
1-114	5136-905-3820-0	BOLT Vis	1	313690-5382-00	

Ref No. Réf N°.	Parts No. Pièces N°.	Description Désignation	Model & Q'ty Model & Quant	Remarks Remarques
1-115	5110-B05-08AX-X	BOLT Vis	1	110B 0508A
1-116	5136-405-3820-0	BOLT Vis	1	313640-5382-00
1-117	5234-B06-28XX-X	SCREW Vis	2	234B 0628
1-118	5312-B06-00XX-X	NUT Ecrou	2	312B 0600
1-119	5164-918-1100-5	MAGNETO ASSY Volant magn.	1	316491-8110-05 See Fig. 3 Voir Fig. 3
1-120	5214-B04-10AX-X	SCREW Vis	1	214B 0410A
1-121	5410-B04-00XX-X	WASHER Rondelle	1	410B 0400
1-122	5180-B06-25XX-X	SCREW Vis	2	180B 0625
1-123	5180-B06-30XX-X	SCREW Vis	2	180B 0630
1-124	5229-B04-12AX-X	SCREW Vis	2	229B 0412A
1-125	5461-F04-00XX-X	WASHER, SPRING Rondelle frein	1	461F 0400
1-126	5164-910-8130-0	LABEL, HORSE POWER Etiquettes	1	316491-0813-00
1-127	5164-970-8270-0	LAVEL, AIR CLEANER Etiquettes	1	316497-0827-00
1-128	5136-930-8510-0	LABEL, CAUTION Etiquettes	1	313693-0851-00
1-129	5164-911-1850-0	STUD Goujon	2	316491-1185-00
1-130	5172-G10-35XX-X	STUD Goujon	4	172G 1035
1-131	5164-911-6310-7	COVER, CYLINDER HEAD Couvre culasse	1	316491-1631-07
1-132	5110-B06-12XX-X	BOLT Vis	1	110B 0612
1-133	5110-B08-14XX-X	BOLT Vis	2	110B 0814
1-134	5410-B06-00XX-X	WASHER Rondelle	1	410B 0600
1-135	5410-B08-00XX-X	WASHER Rondelle	2	410B 0800
1-136	5461-F06-00AX-X	WASHER, SPRING Rondelle frein	1	461F 0600A
1-137	5461-F08-00XX-X	WASHER, SPRING Rondelle frein	2	461F 0800
1-138	5461-F06-00AX-X	WASHER, SPRING Rondelle frein	2	461F 0600A
		ACCESSORY		
1-139	5164-910-9000-0	TOOL ASSY Outils	1	316491-0900-00
1-140	5182-900-9310-0	·WRENCH, SOCKET Cle tube	1	318290-0931-00
1-141	5131-220-9420-1	·WRENCH, PLUG Cle a bougie	1	313122-0942-01
1-142	5184-010-9440-0	·WRENCH, SOCKET Cle tube	1	318401-0944-00
1-143	5112-200-9720-0	·GAUGE, THICKNESS Jauge d'epaisseur	1	311220-0972-00

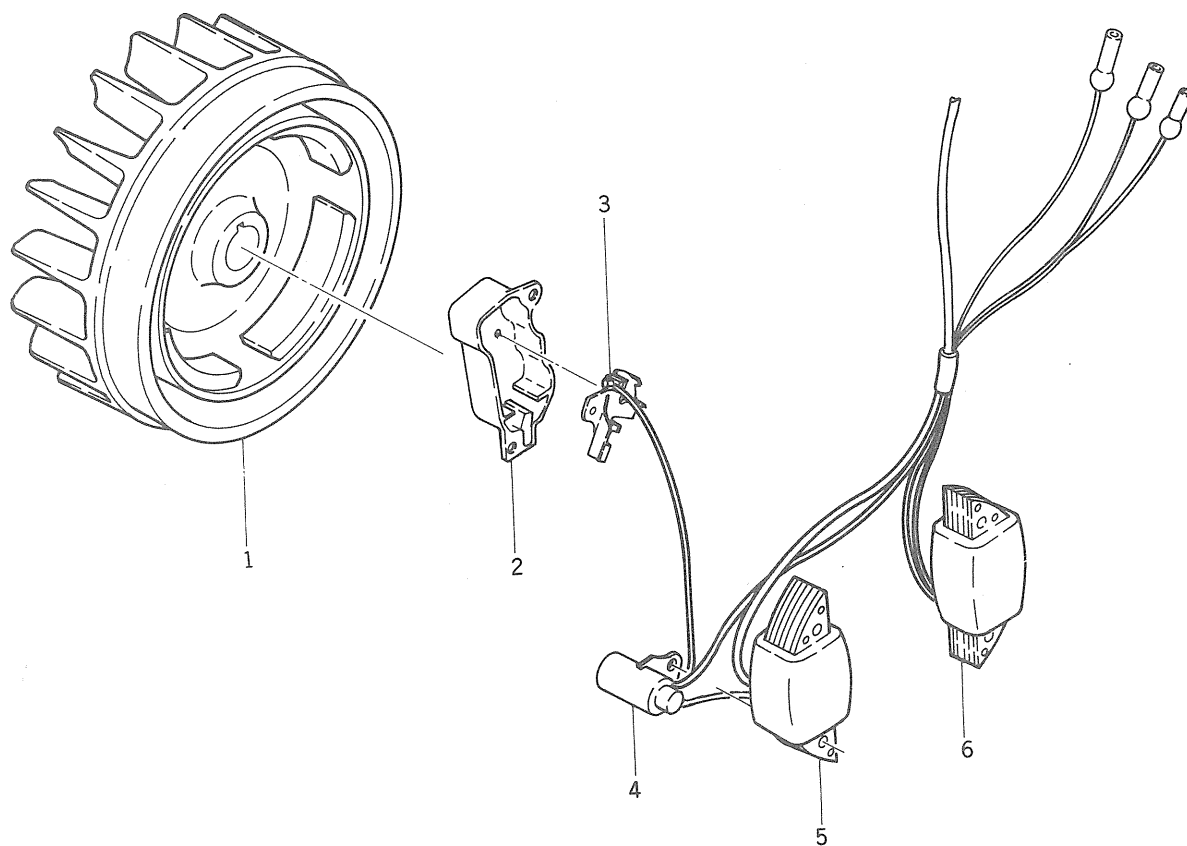
Fig. 2 AIR CLEANER  
Filtre a air



**No. 2**

Ref No. Réf N°.	Parts No. Pièces N°.	Description Désignation	Model & Q'ty Model & Quant	Remarks Remarques
2- 0-1	5164-911-3100-0	AIR CLEANER ASSY Filtre a air	1	316491-1310-00
2- 1	5164-911-3130-0	·COVER Cloche	1	316491-1313-00
2- 2	5164-911-3120-0	·ELEMENT T=20 Cartouche	1	316491-1312-00
2- 3	5164-911-3140-0	·ELEMENT T=15 Cartouche	1	316491-1314-00
2- 4	5152-501-3270-0	·PLATE Grille	1	315250-1327-00
2- 5	5164-911-3110-0	·CASE Cuve	1	316491-1311-00

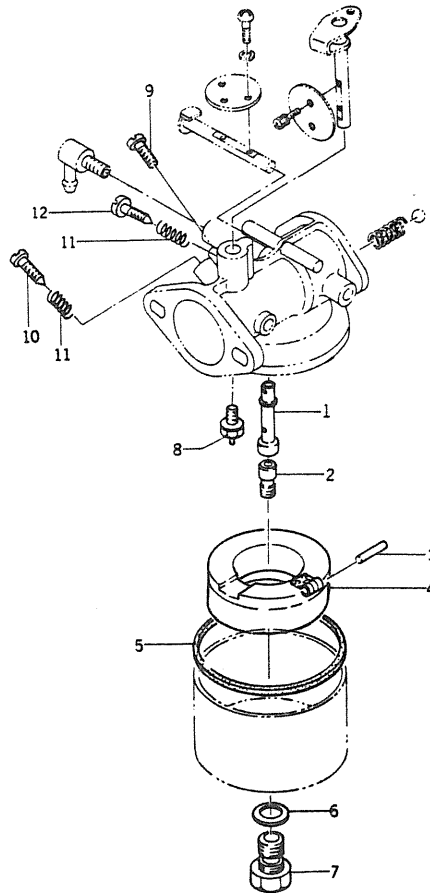
Fig. 3 MAGNETO  
Decanteur



**No. 3**

Ref No. Réf N°.	Parts No. Pièces N°.	Description Désignation	Model & Q'ty Modél & Quant	Remarks Remarques
3- 0-1	5164-918-1100-5	MAGNETO ASSY Volant magnétique	1	316491-8110-05
3- 1	5164-908-1110-0	·FLYWHEEL Rotor	1	316490-8111-00
3- 2	5164-708-4390-0	·COVER Couvercle	1	316470-8439-00
3- 3	5136-018-4400-0	·BREAKER Rupteur	1	313601-8440-00
3- 4	5164-708-4360-0	·CONDENSER Condensateur	1	316470-8436-00
3- 5	5164-918-1230-2	·COIL, IGNITION Bobine d'allum.	1	316491-8123-02
3- 6	5153-728-1240-0	·COIL, LIGHTING Bobine d'éclairage	1	315372-8124-00

Fig. 4 CARBURETOR  
Carburateur



No. 4

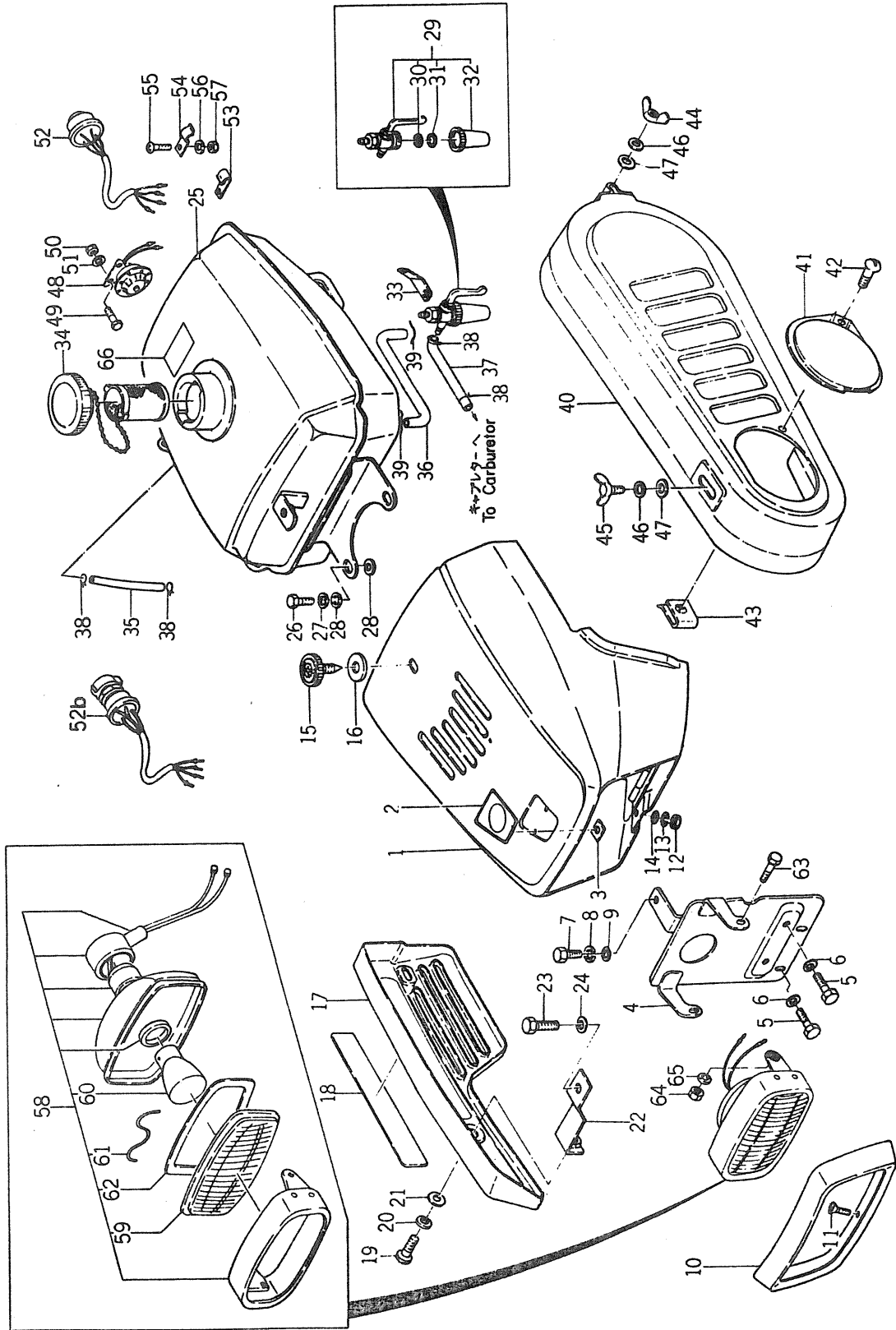
Ref No. Réf N°.	Parts No. Pièces N°.	Description Désignation	Model & Q'ty Modél & Quant	Remarks Remarques
4- 0-1	5164-916-1000-0	CARBURETOR ASSY Carburateur	1	316491-6100-00
4- 1	5164-706-1290-0	·NOZZLE, MAIN (# 13A) Emulseur	1	316470-6129-00
4- 2	5164-706-1320-0	·JET, MAIN (# 87.5) Gicleur princ.	1	316470-6132-00
4- 3	5164-706-1270-0	·PIN, FLOAT Axe	1	316470-6127-00
4- 4	5164-706-1260-0	·FLOAT Flotteur	1	316470-6126-00
4- 5	5131-226-1280-0	·GASKET Joint	1	313122-6128-00
4- 6	5131-226-1800-0	·GASKET Joint	1	313122-6118-00
4- 7	5164-706-1430-0	·HOLDER, MAIN JET Vis	1	316470-6143-00
4- 8	5164-706-1200-0	·VALVE SEAT ASSY Clapet	1	316470-6120-00
4- 9	5136-506-1120-0	·JET, PILOT (# 45) Gicleur ralenti	1	313650-6112-00
4-10	5136-506-1140-0	·SCREW, PILOT Vis ralenti	1	313650-6114-00
4-11	5131-226-1160-0	·SPRING Ressort	2	313122-6116-00
4-12	5135-506-1151-0	·SCREW Vis	1	313550-6115-10

# CHASSIS

\*\*\*

Fig. 5

## BONNET AND FUEL TANK Reservoir & capot



Ref No. Réf N°.	Parts No. Pièces N°.	Description Désignation	Model & Q'ty Modél & Quant			Remarks Remarques
			K S 650	K S 650D	K S 650E	
5- 1	1365-601-1000-1	BONNET Capot	1			
5- 2	1352-901-0040-0	MARK, F-GEAR Etiquette	1			
5- 3	1317-901-0050-0	NUT, SPEED Ecrou rapid	2			
5- 4	1365-601-2000-0	STAY, BONNET Calandre	1			
5- 5	V20126-080160	BOLT/M8×16 Vis	4			
5- 6	V40116-000800	WASHER, SP/M8 Rondelle frein	4			
5- 7	V20126-100160	BOLT/M10×16 Vis	1			
5- 8	V40116-001000	WASHER, SP/M10 Rondelle frein	1			
5- 9	V41316-000800	WASHER, PL/M8 Rondelle	1			
5-10	1352-601-0010-0	GRILLE, LIGHT Porte de phare	1			
5-11	V10415-600160	SCREW/M6×16 Vis	2			
5-12	V30026-000600	NUT/M6 Ecrou	2			
5-13	V40116-000600	WASHER, SP/M6 Rondelle frein	2			
5-14	V41316-000600	WASHER, PL/M6 Rondelle	2			
5-15	1352-601-0020-0	KNOB, SET Bouton de capot	1			
5-16	1352-601-0030-0	SUPPORT Rondelle d'arrêt	1			
5-17	1365-601-0010-0	COVER, SIDE Capot lateral	1			
5-18	1365-902-0010-0	MARK, SIDE Etiquette	1			
5-19	V11115-600120	SCREW/M6×12 Vis	2			
5-20	V40116-000600	WASHER, SP/M6 Rondelle frein	2			
5-21	V41115-000600	WASHER, PL/M6 Rondelle	2			
5-22	1365-601-3000-0	STAY Support capot	1			
5-23	V20126-080160	BOLT/M8×16 Vis	1			
5-24	V40116-000800	WASHER, SP/M8 Rondelle frein	1			
5-25	1365-606-1000-1	TANK, FUEL Reservoir	1			
5-26	V20126-100200	BOLT/M10×20 Vis	2			
5-27	V40116-001000	WASHER, SP/M10 Rondelle frein	2			
5-28	V41326-001000	WASHER, PL/M10 Rondelle	4			
5-29	1343-600-0510-0	STRAINER ASSY Robinet decanteur	1			
5-30	1337-606-0130-0	•STRAINER Filtre	1			
5-31	1337-606-0140-0	•PACKING, BOWL Joint	1			
5-32	1337-606-0150-0	•BOWL Bol	1			
5-33	1365-606-0011-0	STAY, STRAINER Support	1			
5-34	1338-606-4000-0	CAP, TANK Bouchon de reservoir	1			No. 1-9270
5-34a	1352-600-0531-0	CAP, TANK Bouchon de reservoir	1			No. 9271-
5-35	V73505-080800	PIPE, A/VINYL Conduit	1			For gauge Pour jaugi
5-36	1365-606-0030-0	PIPE, FUEL/200 Conduit	1			Tank to strainer
5-37	1365-606-0040-0	PIPE, FUEL/170 Conduit	1			Strainer to carburetor





Ref No. Réf N°.	Parts No. Pièces N°.	Description Désignation	Model & Q'ty Modél & Quant			Remarks Remarques	
			KS 650	KS 650D	KS 650E		
5-38	1317-606-0100-0	RING, SNAP PIPE Collet d'axe	4				
5-39	V59013-090900	WIRE/0.9×90 Fil	2				
5-40	1365-611-1000-1	COVER, BELT Carter de courroies	1			No. 1-14971	
5-41	1365-611-0010-0	CAP, COVER Carter de courroies	1				
5-42	V10016-600100	SCREW/M6×10 Vis	1				
5-43	1365-611-0020-0	NUT, SPEED/M6 Ecroû rapide	1				
5-44	V37016-000800	NUT, WING/M8 Ecroû a oreilles	1				
5-45	V27016-080150	BOLT, WING/M8×15 Vis a oreilles	1				
5-46	V40116-000800	WASHER, SP/M8 Rondelle frein	2				
5-47	V41316-000800	WASHER, PL/M8 Rondelle	2				
5-48	1317-621-0011-0	HORN UNIT Avertisseur	1				No. 1-3240
5-49	V20026-060120	BOLT/M6×12 Vis	2				No. 1-3240
5-50	V30026-000600	NUT/M6 Ecroû	2				
5-51	V40116-000600	WASHER, SP/M6 Rondelle frein	2				
5-52	1365-600-0510-0	SWITCH, MAIN ASSY Contacteur	1			No. 1-3240	
5-52a	1365-600-0511-0	SWITCH, MAIN ASSY Contacteur	1			No. 3241-6470	
5-52b	1365-600-0512-0	SWITCH, MAIN ASSY Contacteur	1			No. 6471-	
5-53	1317-621-0020-0	CLIP, LEAD WIRE Agrafe	3				
5-54	1352-621-0010-0	CLAMP Agrafe	1				
5-55	V11116-600120	SCREW/M6×12 Vis	1				
5-56	V40116-000600	WASHER, SP/M6 Rondelle frein	1				
5-57	V30026-000600	NUT/M6 Ecroû	1				
5-58	1324-600-0520-0	LAMP, HEAD Phare	1				
5-59	1317-621-0090-0	·LENS, HEAD LAMP Glace	1				
5-60	1306-621-0010-0	·BULB/6V-15/15W Ampoule	1				
5-61	1317-621-0110-0	·SPRING, CLAMP Ressort	4				
5-62	1317-621-0120-0	·PACKING, LENS Joint	1				
5-63	V20026-060160	BOLT/M6×16 Vis	2				
5-64	V30026-000600	NUT/M6 Ecroû	2				
5-65	V40116-000600	WASHER, SP/M6 Rondelle frein	2				
5-66	2706-701-0140-0	MARK Etiquette	1			No. 12771-	

Fig. 6 FRAME AND FENDER  
Longeron & garde-boue

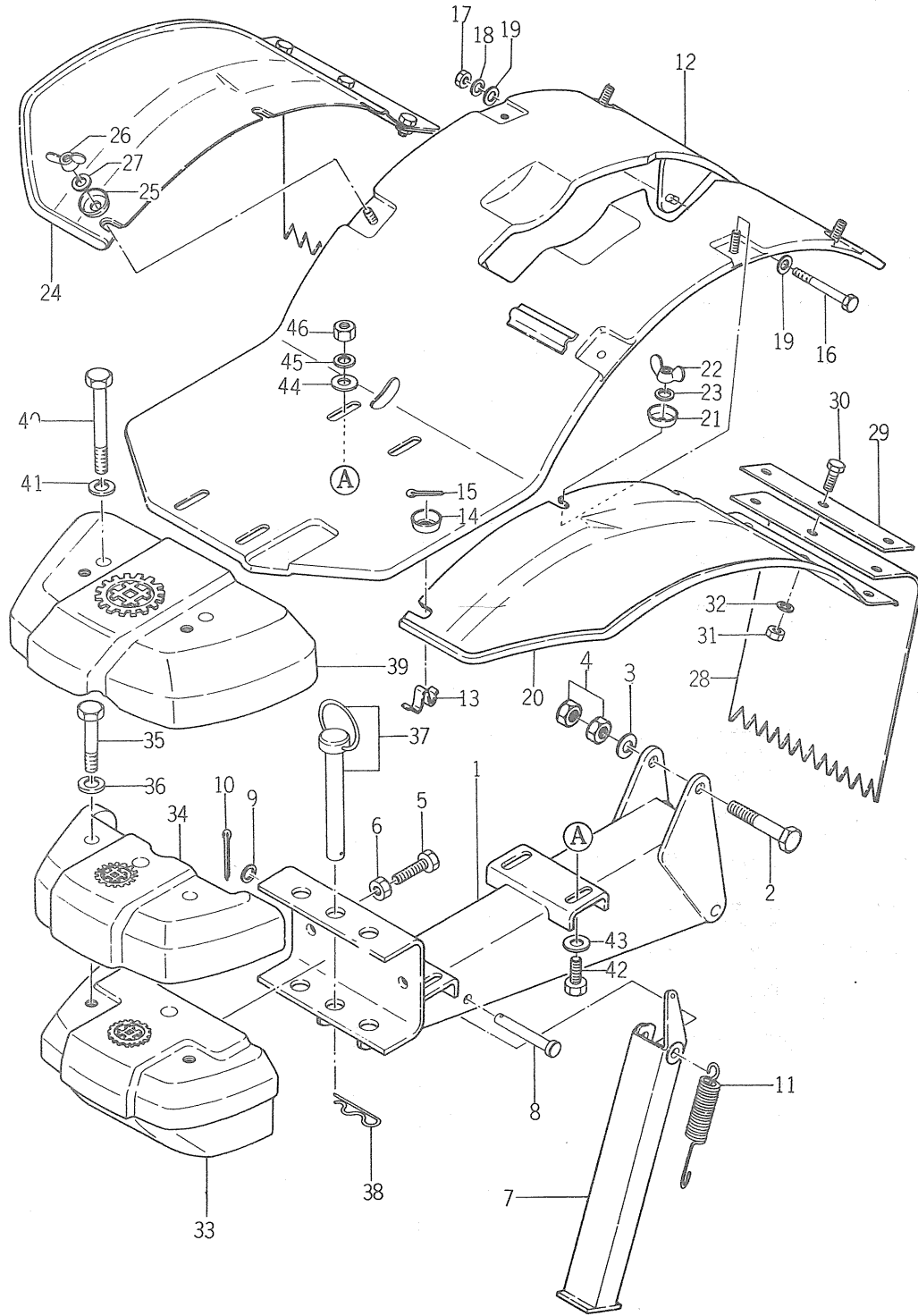
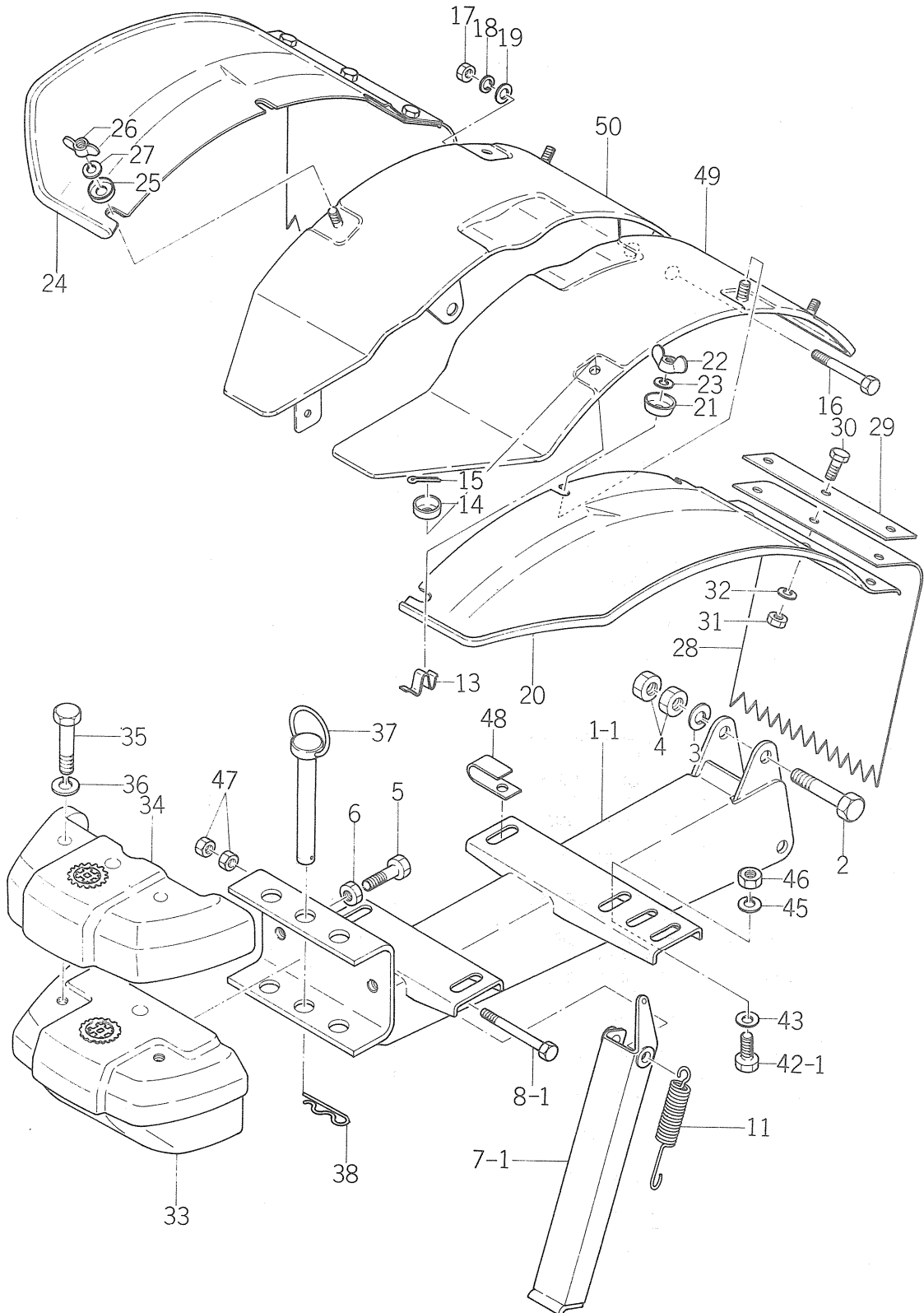


Fig. 6 FRAME AND FENDER  
Longeron & garde-boue

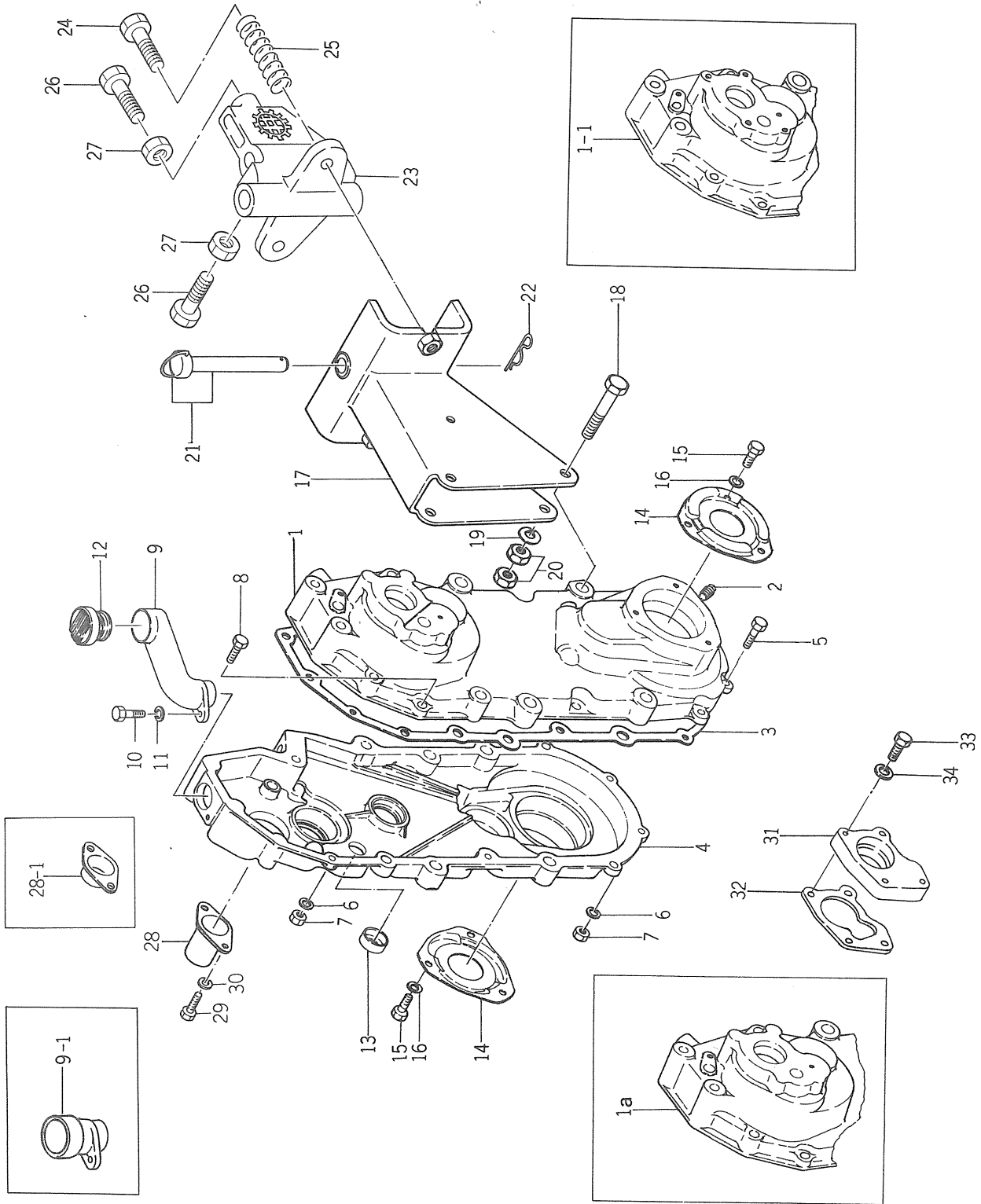


# No. 6

Ref No. Réf N°.	Parts No. Pièces N°.	Description Désignation	Model & Q'ty Modél & Quant			Remarks Remarques
			K S 6 5 0	K S 6 5 0 D	K S 6 5 0 E	
6- 1	1365-101-1000-0	FRAME, F. Longeron	1			
6- 1-1	1368-101-1000-0	FRAME, F. Longeron		1	1	
6- 2	V20126-120850	BOLT/M12×85 Vis	2	2	2	
6- 3	V40116-001200	WASHER, SP/M12 Rondelle frein	2	2	2	
6- 4	V30226-001200	NUT/M12 Ecrou	4	4	4	
6- 5	W20126-100350	BOLT/M10×35 S=35 Vis	2	2	2	
6- 6	V30026-001000	NUT/M10 Ecrou	2	2	2	
6- 7	1352-106-1000-2	STAND Bequille	1			
6- 7-1	1368-106-1000-0	STAND Bequille		1	1	
6- 8	1352-106-0010-0	PIN/10×59 Axe de bequille	1			
6- 8-1	V20126-100800	BOLT/M10×80 Vis		1	1	
6- 9	V41316-001000	WASHER, PL/M10 Rondelle	1			
6-10	V50015-250200	PIN, SPLIT/2.5×20 Goupille fendue	1			
6-11	1352-106-0020-0	SPRING, STAND Ressort	1	1	1	
6-12	1365-616-1000-1	FENDER Garde-boue	1			No. 1-15800
6-12a	1365-616-1001-1	FENDER Garde-boue	1			No. 15801-
6-13	1352-616-0010-0	SPRING, PLATE Clip	2	2	2	
6-14	1352-616-0020-0	WASHER, CONE Rondelle	2	2	2	
6-15	V50015-300150	PIN, SPLIT/3×15 Goupille fendue	2	2	2	
6-16	V20126-080800	BOLT/M8×80 Vis	1	2	2	
6-17	V30026-000800	NUT/M8 Ecrou	1	2	2	
6-18	V40116-000800	WASHER, SP/M8 Rondelle frein	1	2	2	
6-19	V41316-000800	WASHER, PL/M8 Rondelle	2	2	2	
6-20	1365-616-2000-1	FENDER, SUB LH Garde-boue aux G.	1	1	1	
6-21	1352-616-0020-0	WASHER, CONE Rondelle	2	2	2	
6-22	V37116-000800	NUT, WING/M8 Ecrou a oreilles	2	2	2	
6-23	V40116-000800	WASHER, SP/M8 Rondelle frein	2	2	2	
6-24	1365-616-3000-1	FENDER, SUB RH Garde-boue aux D.	1	1	1	
6-25	1352-616-0020-0	WASHER, CONE Rondelle	2	2	2	
6-26	V37116-000800	NUT, WING/M8 Ecrou a oreilles	2	2	2	
6-27	V40116-000800	WASHER, SP/M8 Rondelle frein	2	2	2	
6-28	1352-616-0030-0	GUARD, MUD Bavette	2	2	2	
6-29	1352-616-0040-0	PLATE, SET Barrette	2	2	2	
6-30	V20026-060120	BOLT/M6×12 Vis	6	6	6	
6-31	V30026-000600	NUT/M6 Ecrou	6	6	6	
6-32	V40116-000600	WASHER, SP/M6 Rondelle frein	6	6	6	
6-33	1352-931-0010-0	WEIGHT, F·A Contrepoids	1	1	1	} DE, DHE ..... ★ E, EE, EHE ... ★
6-34	1352-931-0020-0	WEIGHT, F·B Contrepoids	1	1	1	

Ref No. Réf N°.	Parts No. Pièces N°.	Description Désignation	Model & Q'ty Modél & Quant			Remarks Remarques
			KS 650	KS 650D	KS 650E	
6-35	V20126-120600	BOLT/M12×60 Vis	2	2	2	} DE, DHE .....★ E, EE, EHE...★
6-36	V40116-001200	WASHER, SP Rondelle frein	2	2	2	
6-37	1301-100-9010-0	PIN, KING ASSY Broche	1	1	1	
6-38	1305-931-0030-0	PIN, HAIR Attache beta	1	1	1	
6-39	1352-931-0030-0	WEIGHT, F·C Contrepoids	1			★
6-40	V20126-120950	BOLT/M12×95 Vis	2			★
6-41	V40116-001200	WASHER, SP/M12 Rondelle frein	2			★
6-42	V20126-100450	BOLT/M10×45 Vis	4			
6-42-1	V20126-100350	BOLT/M10×35 Vis		4	4	
6-43	1365-121-0050-0	WASHER/10×20×2 Rondelle	4	4	4	
6-44	V41316-001000	WASHER, PL/M10 Rondelle	4			
6-45	V40116-001000	WASHER, SP/M10 Rondelle frein	4	4	4	
6-46	V30026-001000	NUT/M10 Erou	4	4	4	
6-47	V30226-001000	NUT/M10 Erou		2	2	
6-48	1404-621-0280-0	CLAMP, WIRE HARNESS C Attache		1	1	ENo. 1-14970
6-48a	1317-621-0020-0	CLIP, LEAD WIRE Agrafe			1	ENo. 14971-
6-49	1368-616-1001-1	FENDER LH Garde boue		1	1	
6-50	1368-616-2001-1	FENDER RH Garde boue		1	1	

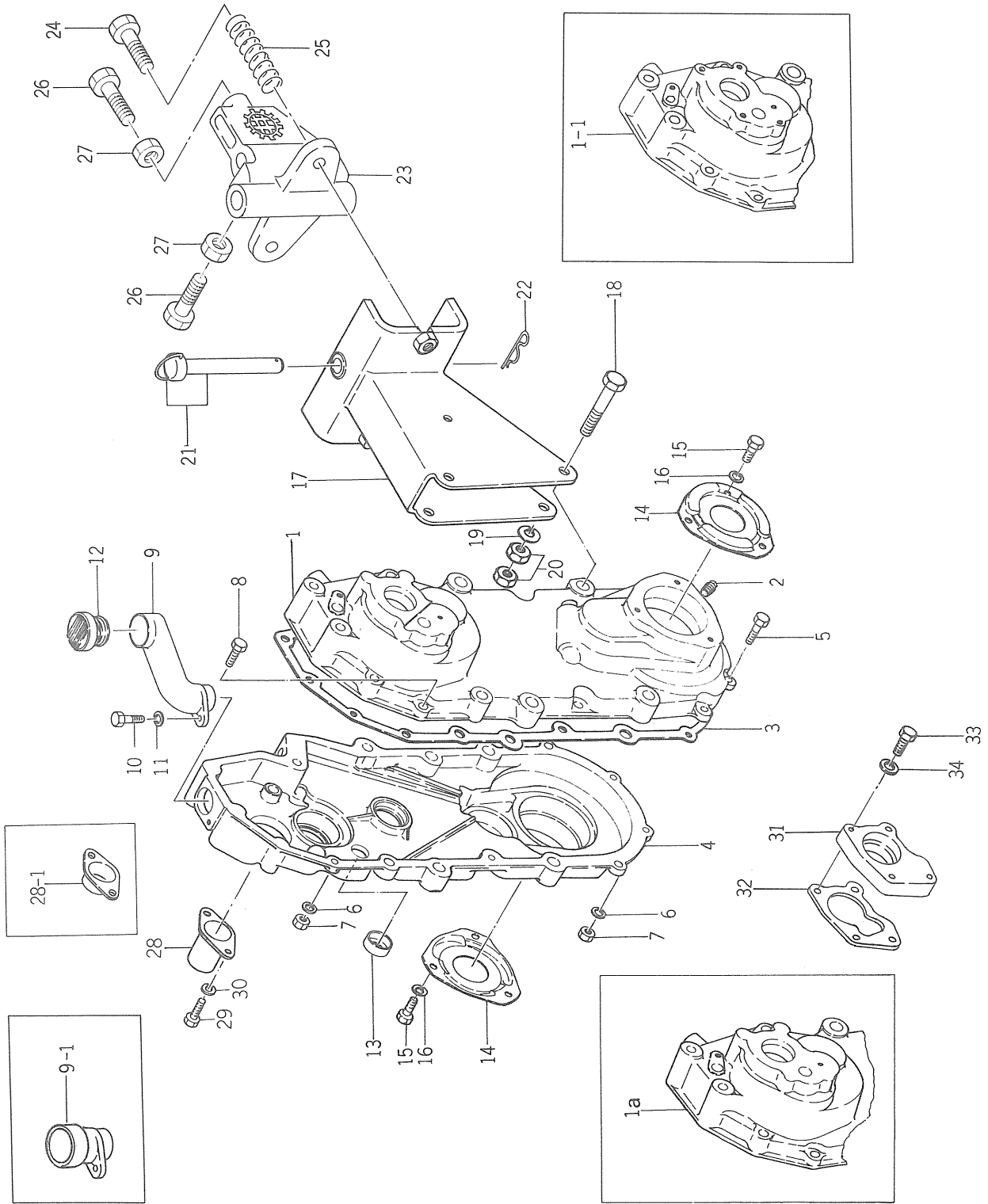
Fig. 7 MAIN GEAR CASE  
Boitier de reducteur



Ref No. Réf N°.	Parts No. Pièces N°.	Description Désignation	Model & Q'ty Modél & Quant			Remarks Remarques
			KS 650	KS 650D	KS 650E	
7- 1	1365-216-0010-0	CASE, MAIN GEAR LH Coquille G.	1		1	{ No. 1-3200 ENo. 1-7370
7- 1a	1365-216-0011-0	CASE, MAIN GEAR LH Coquille G.	1		1	{ No. 3201-15800 ENo. 7371- 51.10.1
7- 1b	1365-216-0012-0	CASE, MAIN GEAR LH Coquille G.	1			No. 15801-
7- 1-1	1371-216-0010-0	CASE, MAIN GEAR LH Coquille G.		1		For KS650-D DNo. 1-103900
7- 1-1a	1371-216-0011-0	CASE, MAIN GEAR LH Coquille G.		1	1	DNo. 103901- E51.10.1
7- 2	V78130-000060	PLUG / PT3/8 Bouchon	1	1	1	
7- 3	1352-216-0020-0	PACKING, GEAR CASE Joint	1	1	1	{ No. 1-15800 DNo. 1-103900 E51.10.1
7- 3a	1365-216-0050-0	PACKING, GEAR CASE Joint	1	1	1	{ No. 15801- DNo. 103901- E51.10.1
7- 4	1365-216-0020-0	CASE, MAIN GEAR RH Coquille D.	1		1	{ No. 1-3200 ENo. 1-7370
7- 4a	1365-216-0021-0	CASE, MAIN GEAR RH Coquille D.	1	1	1	{ No. 3201-15800 DNo. 1-103900 ENo. 7371- 51.10.1
7- 4b	1365-216-0022-0	CASE, MAIN GEAR RH Coquille D.	1	1	1	{ No. 15801- DNo. 103901- E51.10.1
7- 5	V20126-080250	BOLT/M8×25 Vis	6	6	6	
7- 6	V40116-000800	WASHER, SP/M8 Rondelle frein	7	7	7	
7- 7	V30026-000800	NUT/M8 Ecroû	7	7	7	
7- 8	V20126-080350	BOLT/M8×35 Vis	1	1	1	
7- 9	1352-216-0040-1	PIPE, OIL Goulot	1			
7- 9-1	1368-216-0010-0	PIPE, OIL Goulot		1	1	
7-10	V20026-060160	BOLT/M6×16 Vis	1	1	1	
7-11	V40116-000600	WASHER, SP/M6 Rondelle frein	1	1	1	
7-12	7951-103-1010-0	CAP, OIL/30 Bouchon	1		1	{ No. 1-4540 ENo. 1-4540
7-12a	7954-205-1010-0	CAP, OIL/30 Bouchon	1	1	1	{ No. 4541- DNo. 1- ENo. 4541-
7-13	1352-216-0050-0	LEVEL, OIL Mouchard	1	1	1	
7-14	1365-216-0030-0	METAL, WHEEL Flasque	2	2	2	
7-15	V20026-060120	BOLT/M6×12 Vis	6	6	6	
7-16	V40116-000600	WASHER, SP/M6 Rondelle frein	6	6	6	
7-17	1365-930-1000-0	HITCH, R. Attelage AR	1	1	1	
7-18	V20146-120750	BOLT/M12×75 Vis	2	2	2	
7-19	V40116-001200	WASHER, SP/M12 Rondelle frein	2	2	2	
7-20	V30226-001200	NUT/M12 Ecroû	4	4	4	GE, GHE, R
7-21	1301-100-9010-0	PIN, KING ASSY Broche	1	1	1	
7-22	1305-931-0030-0	PIN, HAIR Attache beta	1	1	1	
7- 0-1	8057-006-0000-0	HITCH, CULTI ASSY Attache culti ensemble	1	1	1	{ GE, GHE, R ... * 650D ... * E ..... *
7-23	8057-006-0010-0	·HITCH, CULTI Attache culti	1	1	1	
7-24	8057-006-0020-0	·BOLT Vis	2	2	2	
7-25	8057-006-0030-0	·SPRING, LOCK Amortisseur	2	2	2	GE, GHE R ..... * 650D ... * E ..... *
7-26	V20126-120400	·BOLT/M12×40 S=35 Vis	2	2	2	
7-27	V30226-001200	·NUT/M12 Ecroû	2	2	2	
7-28	1365-216-0040-0	CAP, SHAFT/30×50 Embout	1	1	1	{ No. 8971- DNo. 1- ENo. 7371-

Fig. 7

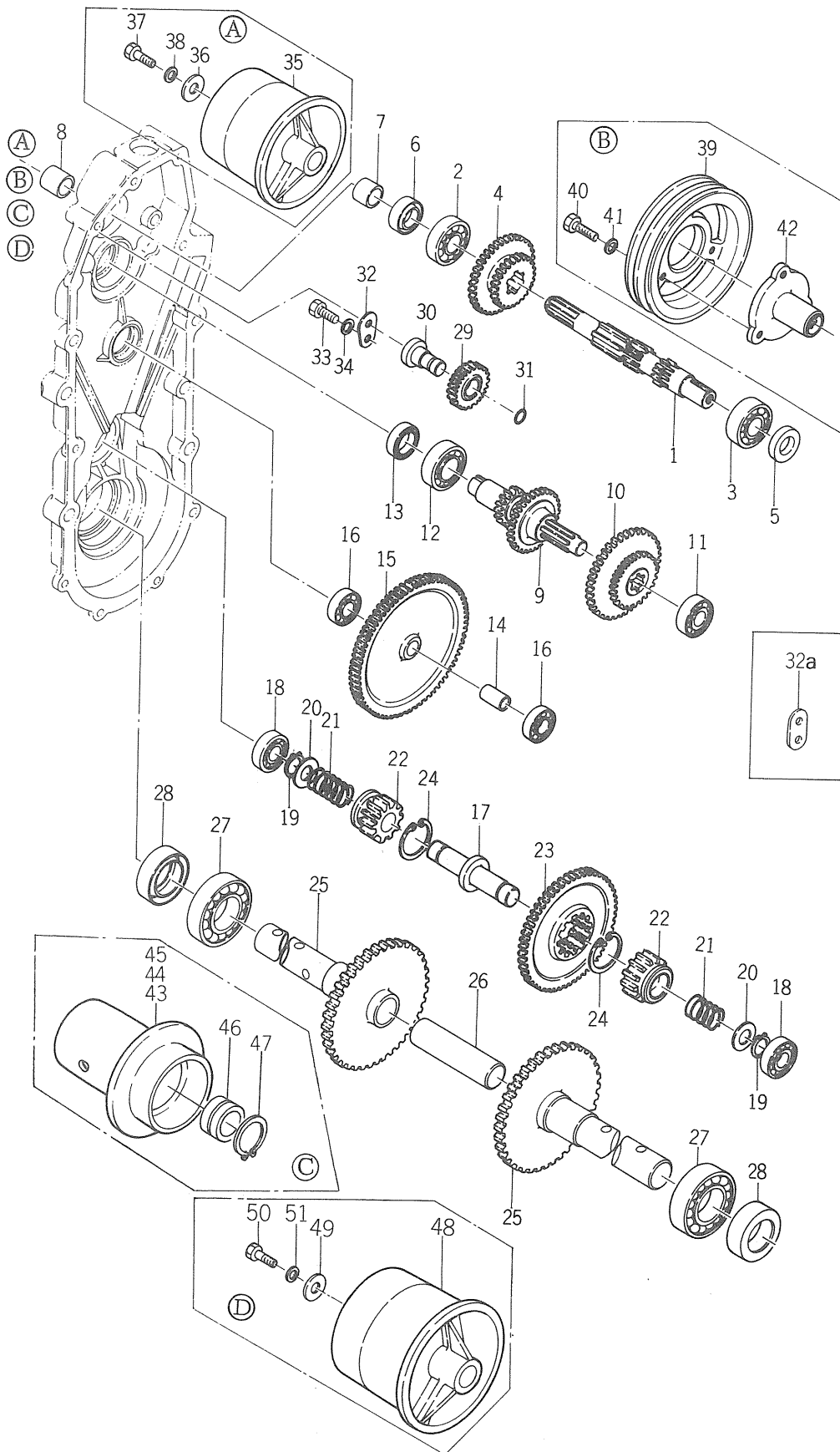
MAIN GEAR CASE  
Boitier de reducteur





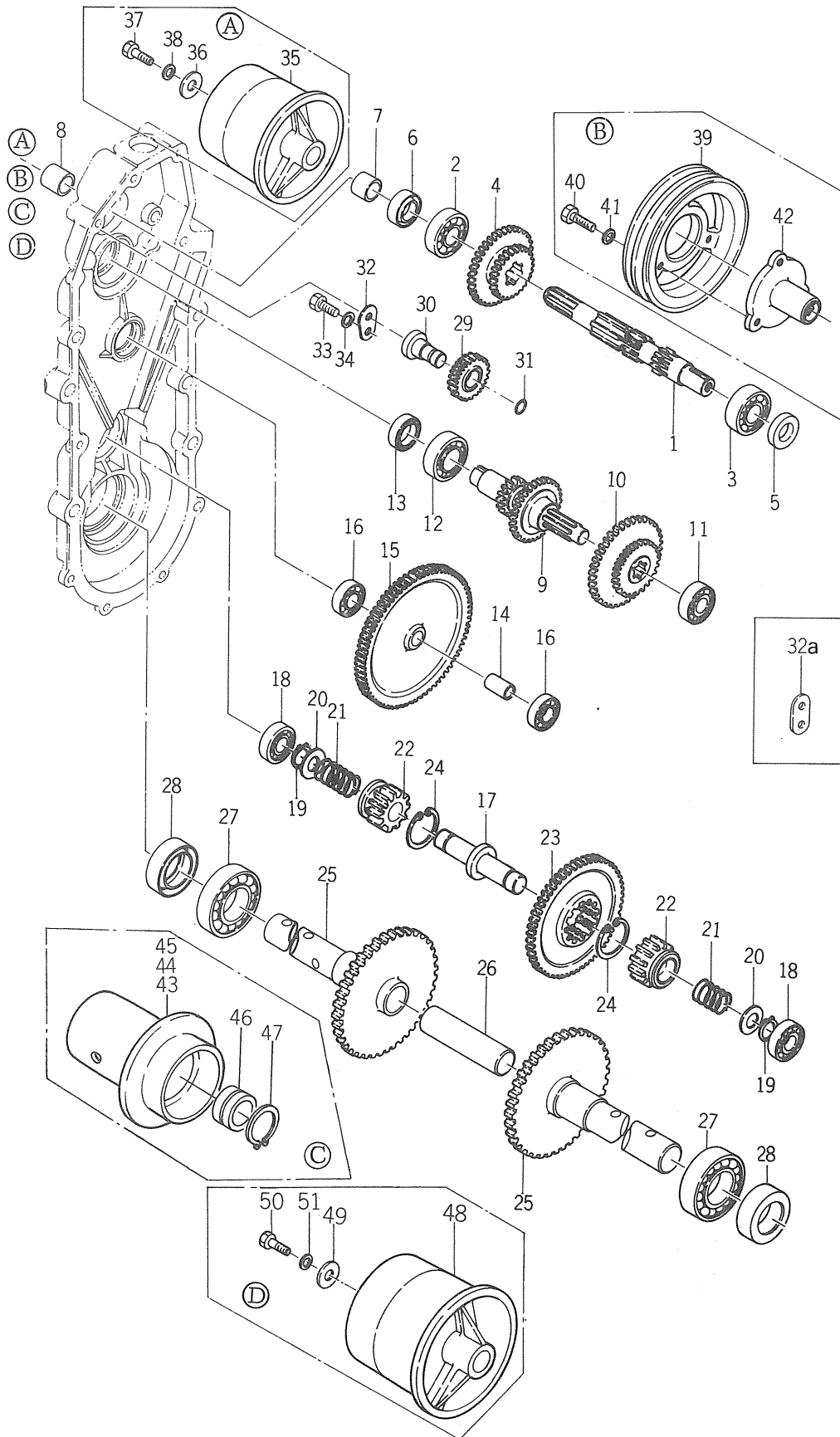
Ref No. Réf N°.	Parts No. Pièces N°.	Description Désignation	Model & Q'ty Modél & Quant			Remarks Remarques
			KS 650	KS 650D	KS 650E	
7-28-1	1365-701-0050-0	COVER, SHAFT Embout	1	1		No. 14971-
7-29	V20026-060100	BOLT/M6×10 Vis	2	2	2	} No. 8971- DNo. 1- ENo. 7371-
7-30	V40116-000600	WASHER, SP/M6 Rondelle frein	2	2	2	
7-31	1368-216-0020-0	METAL, MAIN SHAFT Flasque			1	} No. 15801-
7-32	1371-211-0021-0	PACKING, CASE Joint			1	
7-33	V20126-080250	BOLT/M8×25 Vis			4	
7-34	V40116-000800	WASHER, SP/M8 Rondelle frein			4	

Fig. 8 TRANSMISSION GEAR  
Reducteur



Ref No. Réf N°.	Parts No. Pièces N°.	Description Désignation	Model & Q'ty Modél & Quant			Remarks Remarques
			K S 6 5 0	K S 6 5 0 D	K S 6 5 0 E	
8- 1	1352-217-0010-0	SHAFT, MAIN Arbre primaire	1	1	1	
8- 2	V60011-063040	BEARING, RB/6304 Roulement	1	1	1	
8- 3	V60011-620450	BEARING, RB/6204 Roulement	1	1	1	
8- 4	1352-217-0020-0	GEAR, MAIN SHIFT/25-39T Baladeur	1	1	1	
8- 5	1340-217-0040-0	SEAL, OIL/TC22357 Bague d'étanchéité	1	1	1	
8- 6	1352-217-0030-0	SEAL, OIL/TC25358 Bague d'étanchéité	1	1	1	
8- 7	1352-217-0040-0	BUSH, SEAL Coussinet	1	1	1	
8- 8	V73519-230420	PIPE/VINYL Coussinet	1		1	{ No. 1-8970 ENo. 1-7370
8- 9	1352-219-1000-0	SHAFT, SHIFT Arbre secondaire	1	1	1	
8-10	1352-219-0010-0	GEAR, SHIFT/26-45T Baladeur	1		1	No. 1-15800
8-10a	1365-219-0010-0	GEAR, SHIFT/36-45T Baladeur	1	1	1	No. 15801~
8-11	V60011-062030	BEARING, RB/6203 Roulement	1	1	1	
8-12	V60011-620450	BEARING, RB/6204 Roulement	1	1	1	
8-13	1340-217-0040-0	SEAL, OIL/TC22357 Bague d'étanchéité	1	1	1	
8-14	1352-222-0010-0	PIN, COUNTER GEAR Axe de pignon fou	1	1	1	
8-15	1352-222-0020-0	GEAR, IDLE/72T Pignon fou	1	1	1	
8-16	V60011-062020	BEARING, RB/6202 Roulement	2	2	2	
8-17	1365-224-0010-0	SHAFT, WHEEL PINION Arbre de clabots	1	1	1	
8-18	V60011-063040	BEARING, RB/6304 Roulement	2	2	2	
8-19	V70414-002000	RING, SNAP/C 20 Collet d'axe	2	2	2	
8-20	1365-224-0020-0	WASHER Rondelle	4	4	4	2 pieces use for No. 1-3200
8-21	1352-224-0020-0	SPRING, PRESS/35 Ressort de pression	2	2	2	
8-22	1365-224-0030-0	PINION, WHEEL/11T Clabot	2	2	2	
8-23	1352-224-0040-0	GEAR, SIDE CLUTCH/62T Roue de clabotage	1	1	1	
8-24	V70514-003500	RING, SNAP/C 35 Collet d'axe	2	2	2	
8-25	1365-225-1000-0	SHAFT, WHEEL Fusse	2	2	2	
8-26	1310-225-0050-0	PIN, WHEEL SHAFT Arbre de roues	1	1	1	
8-27	V60011-062080	BEARING, RB/6208 Roulement	2	2	2	
8-28	1365-225-0010-0	SEAL, OIL/AQ6952E Bague d'étanchéité	2	2	2	
8-29	1352-226-1000-0	GEAR, BACK/22T Pignon de M AR	1	1	1	
8-30	1352-226-0010-0	PIN, BACK GEAR Axe de M AR	1	1	1	
8-31	V72010-240100	O-RING/P10A Joint torique	1	1	1	
8-32	1338-216-0070-0	PLATE, LOCK B Plaque arretoir	1		1	No. 1-15800
8-32a	1365-226-0010-0	PLATE, LOCK Plaque arretoir	1	1	1	No. 15801~
8-33	V20026-060120	BOLT/M6×12 Vis	2	2	2	
8-34	V40116-000600	WASHER, SP/M6 Rondelle frein	2	2	2	
8-35	1352-917-0010-0	PULLEY/100 Poulie	1	1	1	
8-36	1324-205-0020-0	WASHER Rondelle	1	1	1	

Fig. 8 TRANSMISSION GEAR  
Reducteur

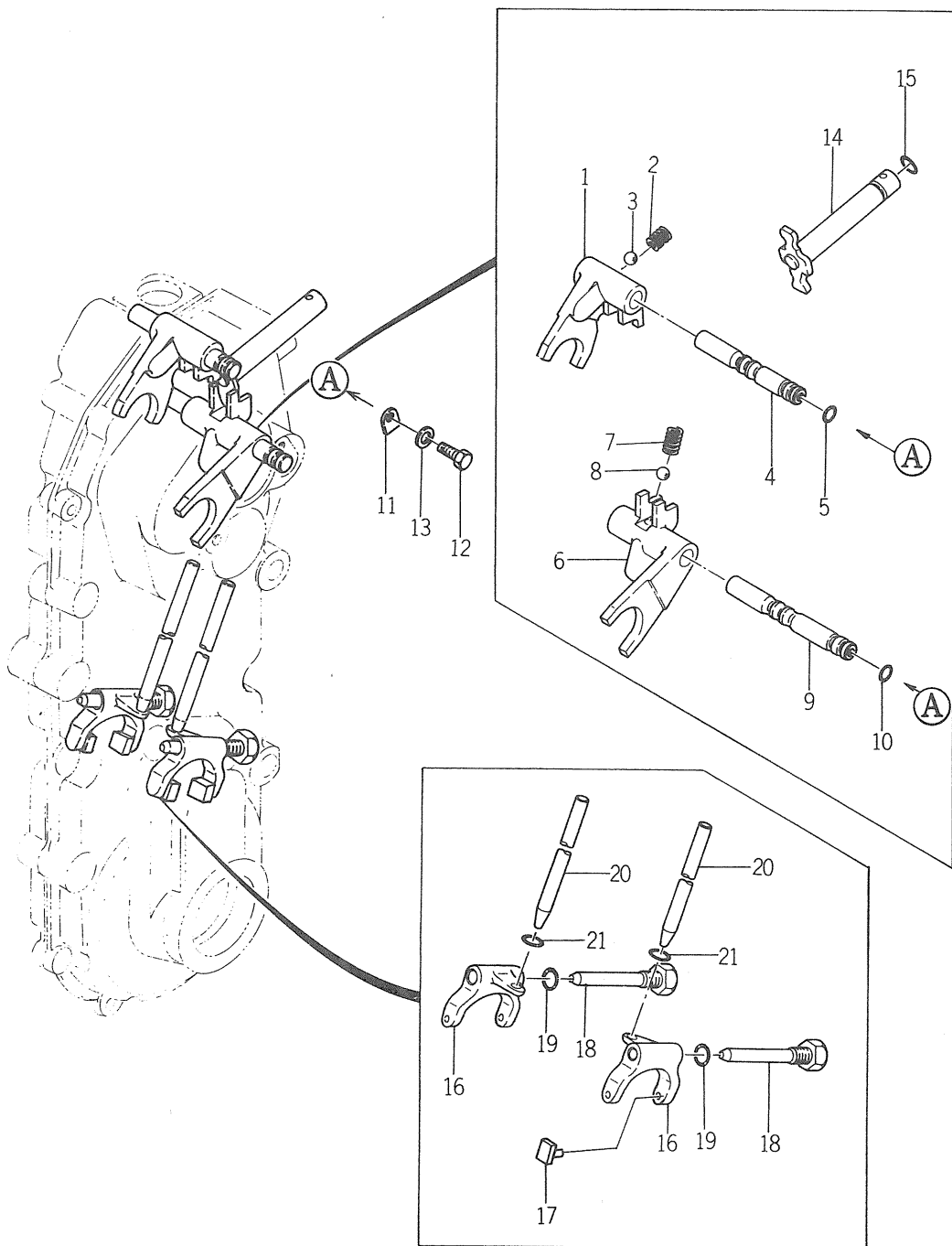


Ref No. Réf N°.	Parts No. Pièces N°.	Description Désignation	Model & Q'ty Modél & Quant			Remarks Remarques
			K S 6 5 0	K S 6 5 0 D	K S 6 5 0 E	
8-37	V20126-080200	BOLT/M8 × 20 Vis	1	1	1	
8-38	V40116-000800	WASHER, SP/M8 Rondelle frein	1	1	1	
8-39	1352-917-0030-0	PULLEY, V/2-140 Poulie trapezoidale	1	1		
8-40	V20126-080200	BOLT/M8 × 20 Vis	3	3		
8-41	V40116-000800	WASHER, SP/M8 Rondelle frein	3	3		
8-42	1352-917-0040-0	BOSS, PULLEY Moyeu de poulie	1	1		
8-43	1366-917-0010-0	PULLEY/75 Poulie	1	1		
8-44	1366-917-0020-0	PULLEY/90 Poulie	1	1		
8-45	1366-917-0030-0	PULLEY/100 Poulie	1	1		
8-46	1371-217-0010-0	COLLAR Collier	1	1		
8-47	1371-217-0020-0	RING, SNAP/C WR47 Collet d'axe	1	1		
8-48	1352-917-0050-0	PULLEY/140 Poulie	1			
8-49	1324-205-0020-0	WASHER Rondelle	1			
8-50	V20126-080200	BOLT/M8 × 20 Vis	1			
8-51	V40116-000800	WASHER, SP/M8 Rondelle frein	1			

Fig. 9

SHIFTER

Fourchettes



Ref No. Réf N°.	Parts No. Pièces N°.	Description Désignation	Model & Qty Modél & Quant			Remarks Remarques
			KS 650	KS 650D	KS 650E	
9- 1	1352-229-0010-0	SHIFTER, MAIN SHIFT Fourchette de M AV	1	1	1	
9- 2	1302-225-0030-0	SPRING, SHIFTER Ressort de verrouillage	1	1	1	
9- 3	V68010-000100	BALL, STEEL Bille de verrouillage	1	1	1	
9- 4	1352-229-0020-0	STAY, MAIN SHIFTER Axe de fourchette	1	1	1	
9- 5	V72010-190090	O-RING/P9 Joint torique	1	1	1	
9- 6	1352-229-0030-0	SHIFTER, BACK Fourchette de M AR	1	1	1	{ No. 1-15800 { DNo. 1-103900 { No. 15801- { DNo. 103901-
9- 6a	1352-229-0031-0	SHIFTER, BACK Fourchette de M AR	1	1	1	
9- 7	1302-225-0030-0	SPRING, SHIFTER Ressort de verrouillage	1	1	1	
9- 8	V68010-000100	BALL, STEEL Bille de verrouillage	1	1	1	
9- 9	1352-229-0040-0	STAY, BACK SHIFTER Axe de fourchette	1	1	1	
9-10	V72010-190090	O-RING/P9 Joint torique	1	1	1	
9-11	1352-229-0050-0	PLATE, STAY SET Butée	2	2	2	
9-12	V20026-060120	BOLT/M6×12 Vis	2	2	2	
9-13	V40116-000600	WASHER, SP/M6 Rondelle frein	2	2	2	
9-14	1352-229-1000-0	ARM, SHIFT Selecteur	1	1	1	
9-15	V72010-240160	O-RING/P16 Joint torique	1	1	1	
9-16	1365-229-0010-0	SHIFTER, SIDE CLUTCH Fourchette de cliabotage	2	2	2	
9-17	2703-101-0200-0	COLLAR, SHIFTER Griffe de frottement	4	4	4	
9-18	1352-229-0060-0	PIN, SIDE CLUTCH Pivot	2	2	2	
9-19	V72010-240100	O-RING/P10A Joint torique	2	2	2	
9-20	1352-229-0070-0	ROD, SIDE CLUTCH Doigt	2	2	2	
9-21	V72010-190100	O-RING/P10 Joint torique	2	2	2	



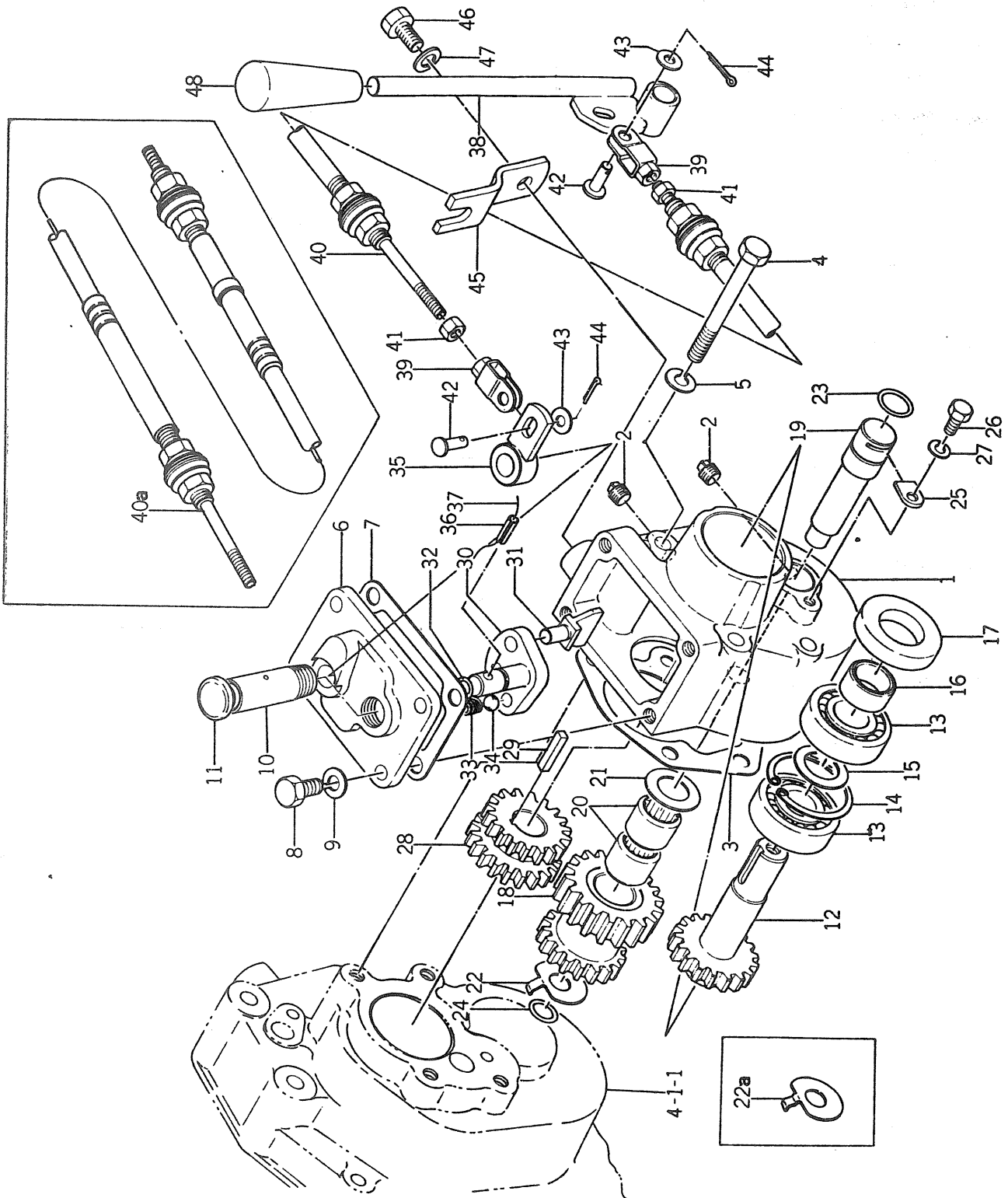


Ref No. Réf N°	Parts No. Pièces N°	Description Désignation	Model & Q'ty Modél & Quant			Remarks Remarques
			KS 650	KS 650D	KS 650E	
10- 1	1371-211-0010-0	CASE, SUB TRANSMISSION Coquille		1		DNo. 1-15800
10- 1a	1371-211-0011-0	CASE, SUB TRANSMISSION Coquille		1		DNo. 15801-
10- 2	V78130-000020	PLUG Bouchon		2		
10- 3	1371-211-0020-0	PACKING, CASE Joint		1		DNo. 1-15800
10- 3a	1371-211-0021-0	PACKING, CASE Joint		1		DNo. 15801-
10- 4	V20126-080750	BOLT/M8 × 75 Vis		4		
10- 5	V40116-000800	WASHER, SP/M8 Rondelle frein		4		
10- 6	1371-211-0030-0	COVER, SUB CASE Sous-cathe		1		
10- 7	1371-211-0040-0	PACKING, COVER Joint		1		
10- 8	V20126-080200	BOLT/M8 × 20 Vis		4		
10- 9	V40126-000800	WASHER, SP/M8 Rondelle frein		4		
10-10	1371-211-0050-0	PIPE, BREATHER Tubulure		1		
10-11	1340-211-0051-0	CAP, OIL Bouchon		1		
10-12	1371-211-0060-0	SHAFT, PULLEY Arbre		1		
10-13	V60011-062040	BEARING, RB/6204 Roulement		2		
10-14	V70310-004700	RING, SNAP/B 47 Collet d'axe		1		
10-15	1371-211-0070-0	WASHER/21 × 30 × 2 Rondelle		1		
10-16	1352-217-0040-0	BUSH, SEAL Cousinnet		1		
10-17	V74412-547080	SEAL, OIL/TC25478 Bague d'étanchéité		1		
10-18	1371-211-0080-0	GEAR, SUB COUNTER/17-20T Pignon		1		
10-19	1371-211-0090-0	SHAFT, SUB COUNTER Arbre		1		
10-20	V65341-624200	BEARING, NR/TA1620 Roulement		2		
10-21	1371-211-0100-0	WASHER/17 × 30 × 2 Rondelle		1		
10-22	1371-211-0110-0	WASHER, LOCK Rondelle		1		DNo. 1-15800
10-22a	1371-211-0111-0	WASHER, LOCK Rondelle		1		DNo. 15801-
10-23	V72010-240160	O-RING Joint torique		1		
10-24	1371-211-0150-0	O-RING/S12 Joint torique		1		
10-25	1371-211-0120-0	PLATE, SET Plaque		1		
10-26	V20026-060120	BOLT/M6 × 12 Vis		1		
10-27	V40116-000600	WASHER, SP/M6 Rondelle frein		1		
10-28	1371-211-0130-0	GEAR, SUB SHIFT/17-19T Pignon		1		
10-29	1317-201-0040-0	KEY, PULLEY Clavette		1		
10-30	1371-211-1000-0	ARM, SUB SHIFT Selecteur		1		
10-31	1371-211-0140-0	SHIFTER, SUB Fourchette		1		
10-32	V72010-190090	O-RING/P9 Joint torique		1		
10-33	1302-225-0030-0	SPRING, SHIFTER Ressort de verrouillage		1		
10-34	V68010-000100	BALL, STEEL Bille de verrouillage		1		
10-35	1371-211-2000-0	ARM, SUB		1		

Fig. 10

SUB TRANSMISSION

Boîte de vitesses sub.



Ref No. Réf N°	Parts No. Pièces N°	Description Désignation	Model & Q'ty Modél & Quant			Remarks Remarques
			KS 650	KS 650D	KS 650E	
10-36	V58014-050240	PIN, SPRING/5×24 Goupille elastique		1		
10-37	V59013-090700	WIRE/0.9×70 Fil		1		
10-38	1371-401-2000-0	LEVER, SUB SHIFT Lavier		1		
10-39	1371-401-3000-0	YOKE Chape		2		
10-40	1371-401-0010-0	WIRE, SUB SHIFT ASSY Cable		1		DNo. 1-114150
10-40a	1371-401-0011-0	WIRE, SUB SHIFT ASSY Cable		1		DNo. 114151-
10-41	V30026-000600	NUT/M6 Erou		2		
10-42	3502-201-0040-0	PIN, JOINT Goupille		2		
10-43	V41316-000600	WASHER, PL/M6 Rondelle		2		
10-44	V50015-200150	PIN, SPLIT/2×15 Goupille fendue		2		
10-45	1371-401-0020-0	ARM, WIRE Equerre d'arret		1		
10-46	V20126-080200	BOLT/M8×20 Vis		1		
10-47	V40116-000800	WASHER, SP/M8 Rondelle frein		1		
10-48	4106-105-3030-0	GRIP Poignee		1		
10-48a	2101-230-0010-0	GRIP Poignee		1		Ⓐ

Fig. 11

TENSION AND BRAKE SYSTEM  
Embrayage & frein

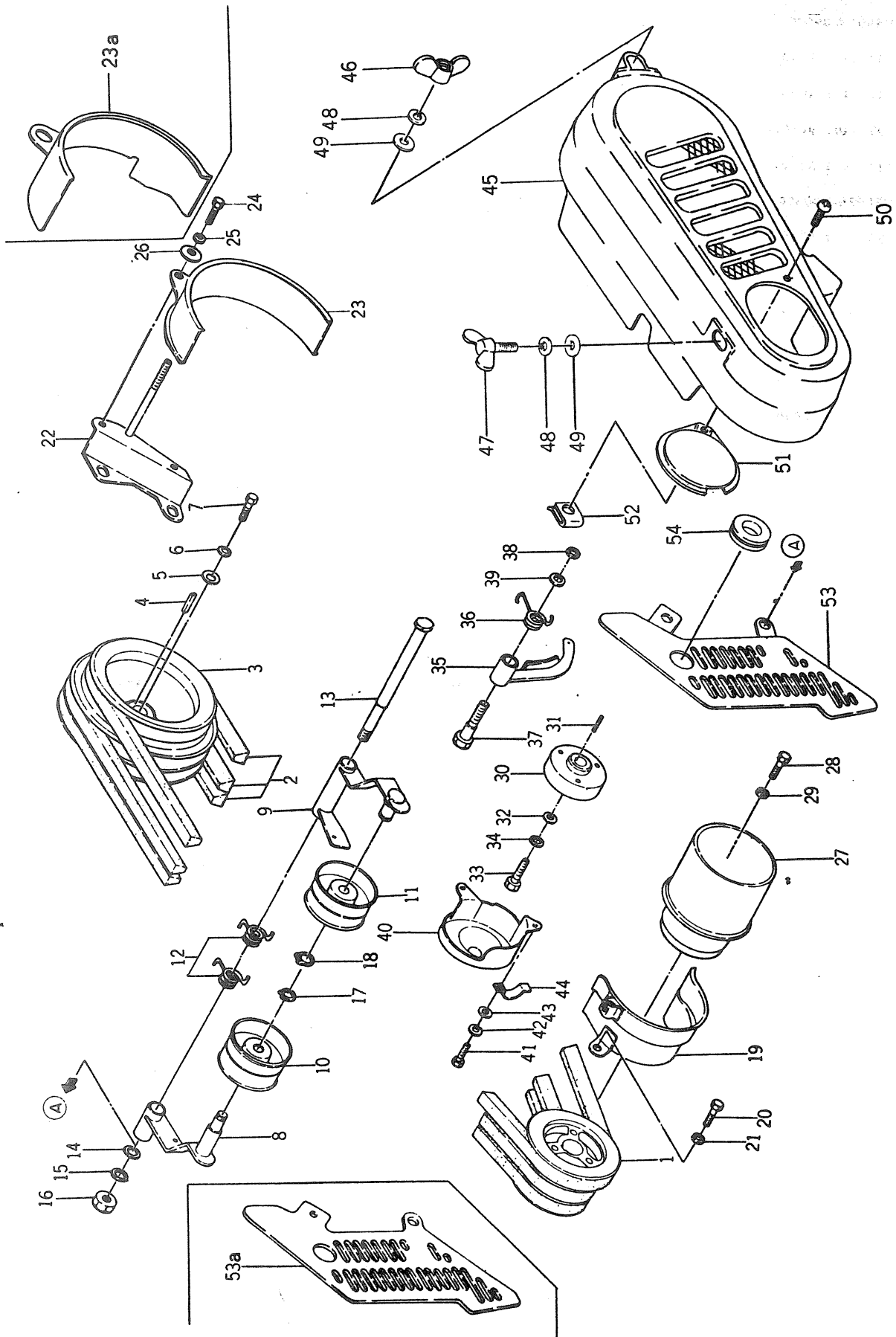


Fig. 11

TENSION AND BRAKE SYSTEM  
Embrayage & frein

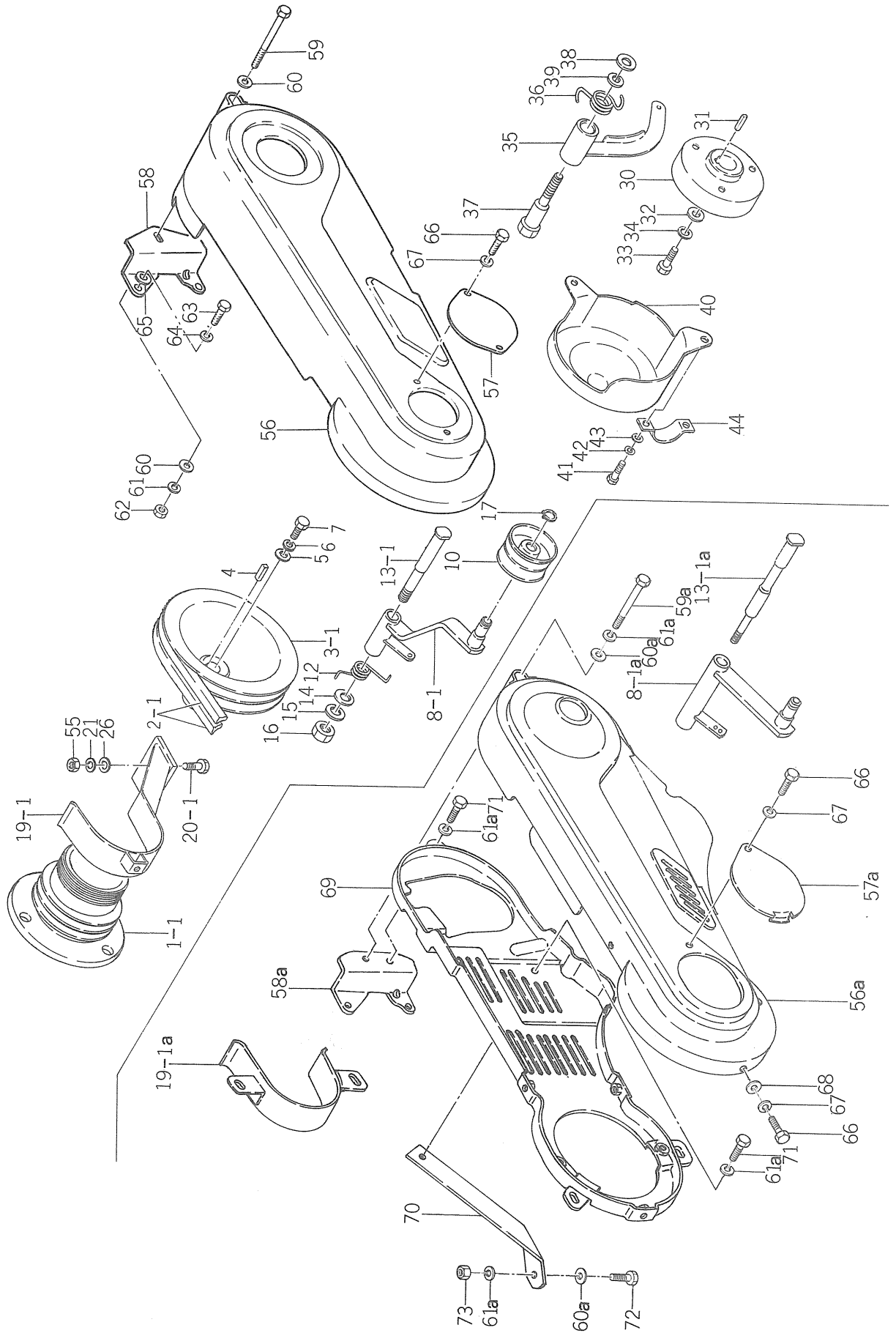
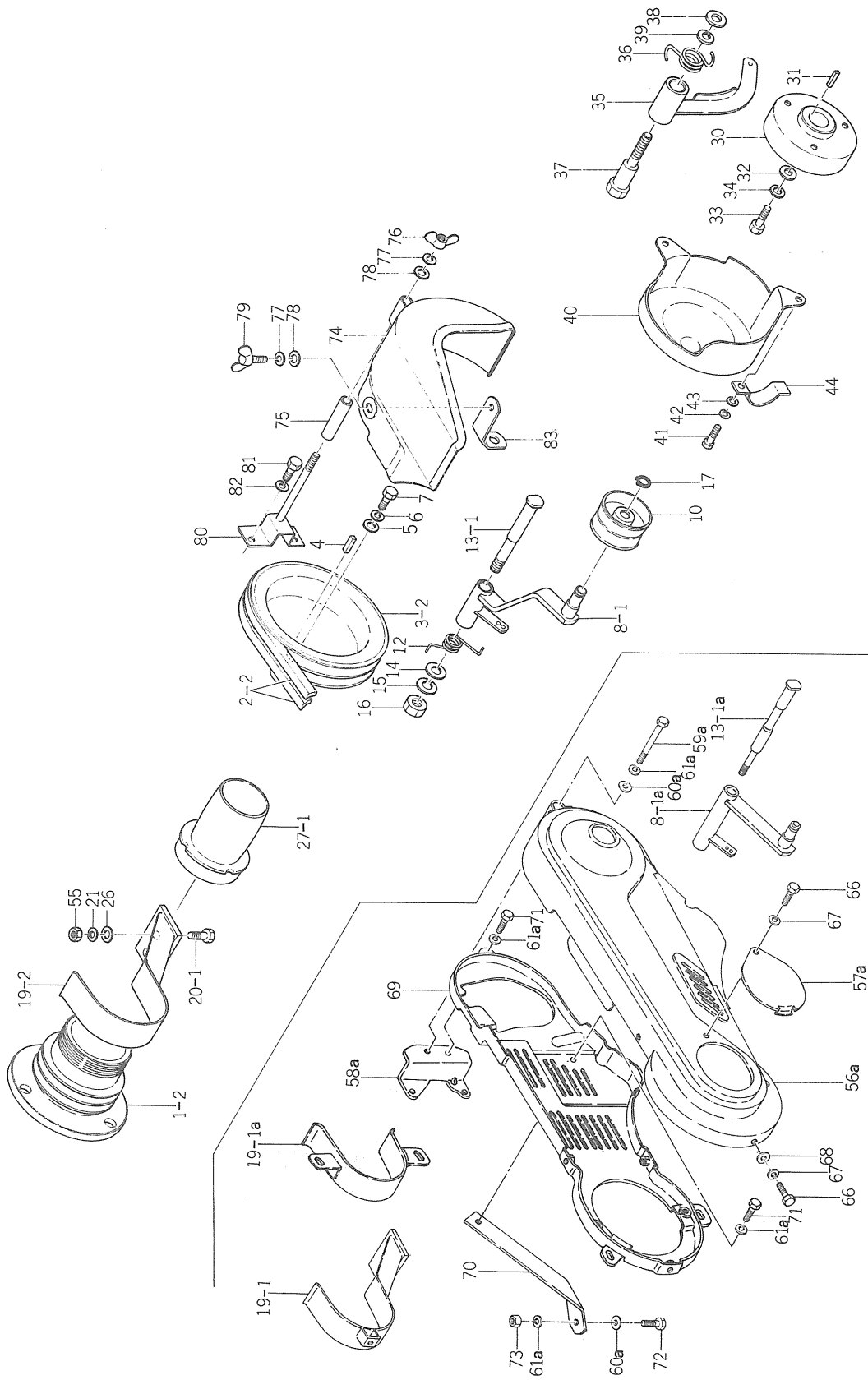


Fig. 11

TENSION AND BRAKE SYSTEM  
Embrayage & frein



Ref No. Réf No.	Parts No. Pièces No.	Description Désignation	Model & Q'ty Modél & Quant			Remarks Remarques
			KS 650	KS 650D	KS 650E	
11- 1	1365-201-0010-0	PULLEY, ENGINE/98 Poulie motrice	1			
11- 1-1	1371-202-0010-0	PULLEY, ENGINE/80 Poulie motrice		1		
11- 1-2	1368-202-0010-0	PULLEY, ENGINE/74 Poulie motrice			1	
11- 2	1365-201-0030-0	BELT, V/SB39 Courroie trapezoidale	3			
11- 2-1	V81720-005300	BELT, V/SP53 Courroie trapezoidale		2		
11- 2-2	V81720-005200	BELT, V/SB52 Courroie trapezoidale			2	
11- 3	1365-201-0020-0	PULLEY, V/146-162 Poulie menee	1			
11- 3-1	1371-202-0020-0	PULLEY, V/162 Poulie menee		1		
11- 3-2	1368-202-0020-0	PULLEY, V/162 Poulie menee			1	
11- 4	1317-201-0040-0	KEY, PULLEY Clavette	1	1	1	
11- 5	1324-205-0020-0	WASHER Rondelle	1	1	1	
11- 6	V40116-000800	WASHER, SP/M8 Rondelle frein	1	1	1	
11- 7	V20126-080200	BOLT/M8×20 Vis	1	1	1	
11- 8	1365-202-1000-0	ARM, TENSION A Bras de tension	1			
11- 8-1	1368-203-1000-0	ARM, TENSION A Bras de tension		1	1	{ DNo. 1-103900 ENo. 1-14970
11- 8-1a	1371-203-2000-0	ARM, TENSION A Bras de tension		1	1	{ DNo. 103901- ENo. 14971-
11- 9	1365-202-2000-0	ARM, TENSION B Bras de tension	1			
11-10	1365-202-3000-0	PULLEY, TENSION A Galet tendeur	1	1	1	
11-11	1340-203-5000-0	PULLEY, TENSION Galet tendeur	1			
11-12	1352-202-0010-0	SPRING, TORQUE/28 Ressort	2	1	1	
11-13	1365-202-0020-0	BOLT, TENSION Axe de tendeur	1			
11-13-1	1368-203-0010-0	BOLT, TENSION Axe de tendeur		1	1	{ DNo. 1-103900 ENo. 1-14970
11-13-1a	1371-203-0010-0	BOLT, TENSION Axe de tendeur		1	1	{ DNo. 103901- ENo. 14971-
11-14	V41015-001200	WASHER, PL/M12 Rondelle	1	1	1	
11-15	V40116-001200	WASHER, SP/M12 Rondelle frein	1	1	1	
11-16	V30026-001200	NUT/M12 Ecrou	1	1	1	
11-17	V70414-001200	RING, SNAP/C 12 Collet d'axe	1	1	1	
11-18	V70414-001700	RING, SNAP/C 17 Collet d'axe	1			
11-19	1365-204-1000-0	STOPPER, BELT A Garde-courroies	1			
11-19-1	1371-204-1000-0	STOPPER, BELT Garde-courroies		1	1	DNo. 1-103900
11-19-1a	1371-204-2000-0	STOPPER, BELT Garde-courroies		1	1	{ DNo. 103901- EE, EHE No. 114151-
11-19-2	1368-204-1000-0	STOPPER, BELT Garde-courroies			1	For E-type
11-20	V20126-080160	BOLT/M8×16 Vis	2			
11-20-1	V20126-080140	BOLT/M8×14 Vis		2	2	EE, EHE No. 114151-
11-21	V40116-000800	WASHER, SP/M8 Rondelle frein	2	2	2	
11-22	1365-204-2000-0	STAY, STOPPER Appui	1			
11-23	1365-204-0010-0	STOPPER, BELT B Garde-courroies	1			No. 1-14970
11-23a	1365-204-0011-0	STOPPER, BELT B Garde-courroies	1			No. 14971-

# No. 11

Ref No. Réf N°.	Parts No. Pièces N°.	Description Désignation	Model & Q'ty Modél & Quant			Remarks Remarques	
			KS 650	KS 650D	KS 650E		
11-24	V20126-080160	BOLT/M8×16 Vis	2				
11-25	V40116-000800	WASHER, SP/M8 Rondelle frein	2				
11-26	V41316-000800	WASHER, PL/M8 Rondelle	2	2	2		
11-27	1365-917-0010-0	PULLEY/100 Poulie motrice	1			★	
11-27-1	1326-917-0010-0	PULLEY/68 Poulie motrice			1	★	
11-28	V20126-080250	BOLT/M8×25 Vis	3			★	
11-29	V40116-000800	WASHER, SP Rondelle frein	3			★	
11-30	1352-209-0010-0	DRUM, BRAKE Tambour de frein	1	1	1		
11-31	1352-209-0020-0	KEY Clavette	1	1	1		
11-32	1324-205-0020-0	WASHER Rondelle	1	1	1		
11-33	V20126-080200	BOLT/M8×20 Vis	1	1	1		
11-34	V40116-000800	WASHER, SP/M8 Rondelle frein	1	1	1		
11-35	1352-209-1000-0	SHOE, BRAKE Machoire complete	1	1	1		
11-36	1352-209-0030-0	SPRING, TORQUE/25 Ressort de torsion	1	1	1		
11-37	1352-209-0040-0	BOLT, BRAKE Pivot de frein	1	1	1		
11-38	V41316-001000	WASHER, PL/M10 Rondelle	1	1	1		
11-39	V40116-001000	WASHER, SP/M10 Rondelle frein	1	1	1		
11-40	1352-209-0051-0	COVER, BRAKE Cloche de frein	1	1	1		
11-41	V20026-060120	BOLT/M6×12 Vis	2	2	2		
11-42	V40116-000600	WASHER, SP Rondelle frein	2	2	2		
11-43	V41316-000600	WASHER, PL Rondelle	2	2	2		
11-44	1352-621-0010-0	CLAMP Bride	1	1	1		
11-45	1365-612-2000-0	COVER, BELT Carter de courroies	1			} No. 14971~	
11-46	V37016-000800	NUT, WING/M8 Erou a oreilles	1				
11-47	V27016-080150	BOLT, WING/M8×15 Vis a oreilles	1				
11-48	V40116-000800	WASHER, SP/M8 Rondelle frein	2				
11-49	V41316-000800	WASHER, PL/M8 Rondelle	2				
11-50	V11116-600100	SCREW/M6×10 Vis	1				
11-51	1365-611-0010-0	CAP, COVER Opercule	1				
11-52	1365-611-0020-0	NUT, SPEED/M6 Erou	1				
11-53	1365-612-2100-0	COVER, BELT SUB Grille	1				No. 1-14970
11-53a	1365-612-0010-0	COVER, BELT SUB Grille	1				No. 14971~
11-54	1338-701-0050-0	COVER/RUBBER Opercule	1				
11-55	V30026-000800	NUT/M8 Erou		2	2		
11-56	1371-611-1000-0	COVER, BELT Carter courroies		1		DNo. 1-103900	
11-56a	1371-612-2000-0	COVER, BELT A Carter de courroies		1	1	DNo. 103901- EE, EHE No. 114151-	
11-57	1338-612-0010-0	COVER, PULLEY Carter de courroies		1		DNo. 1-103900	
11-57a	1371-612-0010-0	COVER, PULLEY Carter de courroies		1	1	DNo. 103901-	



Ref No. Réf N°.	Parts No. Pièces N°.	Description Désignation	Model & Q'ty Modél & Quant			Remarks Remarques
			KS 650	KS 650D	KS 650E	
11-58	1371-611-0010-0	STAY, COVER Support			1	DNo. 1-103900
11-58a	1371-612-2200-0	STAY, COVER A Support			1	{ DNo. 103901- EE, EHE No. 114151-
11-59	V20126-081300	BOLT/M8×130 Vis			1	
11-59a	V20126-080900	BOLT/M8×90 Vis			1	DNo. 103901- EE, EHE No. 114151-
11-60	V41316-000800	WASHER, PL/M8 Rondelle			2	DNo. 1-103900
11-60a	V41316-000800	WASHER, PL/M8 Rondelle			4	DNo. 103901- EE, EHE No. 114151-
11-61	V40116-000800	WASHER, SP/M8 Rondelle frein			1	
11-61a	V40116-000800	WASHER, SP/M8 Rondelle frein			6	DNo. 103901- EE, EHE No. 114151-
11-62	V30026-000800	NUT/M8 Ecrou			1	DNo. 1-103900
11-63	V20126-100200	BOLT/M10×20 Vis			1	DNo. 1-103900
11-64	V40116-001000	WASHER, SP/M10 Rondelle frein			1	
11-65	V41316-001000	WASHER, PL/M10 Rondelle			1	
11-66	V20026-060100	BOLT/M6×10 Vis			4	DNo. 103901- EE, EHE No. 114151-
11-67	V40116-000600	WASHER, SP/M6 Rondelle frein			4	
11-68	V41316-000600	WASHER, PL/M6 Rondelle			3	
11-69	1371-612-2100-0	COVER, BELT B Carter de courroies			1	DNo. 103901- EE, EHE No. 114151-
11-70	1371-612-0020-0	STAY, COVER B Support			1	
11-71	V20126-080140	BOLT/M8×14 Vis			4	
11-72	V20126-080250	BOLT/M8×25 Vis			1	For E-type
11-73	V30026-000800	NUT/M8 Ecrou			1	
11-74	1368-611-1000-0	COVER, BELT Carter de courroies			1	
11-75	1368-611-0010-0	PIPE/58 Tubulure			1	For E-type
11-76	V37016-000800	NUT, WING/M8 Ecrou a oreilles			1	
11-77	V40116-000800	WASHER, SP/M8 Rondelle frein			2	
11-78	V41316-000800	WASHER, PL/M8 Rondelle			2	For E-type
11-79	V27016-080140	BOLT, WING/M8×14 Vis a oreilles			1	
11-80	1368-611-2000-0	STAY, COVER A Support			1	
11-81	V20126-080160	BOLT/M8×16 Vis			2	For E-type
11-82	V40116-000800	WASHER, SP/M8 Rondelle frein			2	
11-83	1368-611-3000-0	STAY, COVER B Support			1	

Fig. 12

HANDLE FRAME  
Mancherons

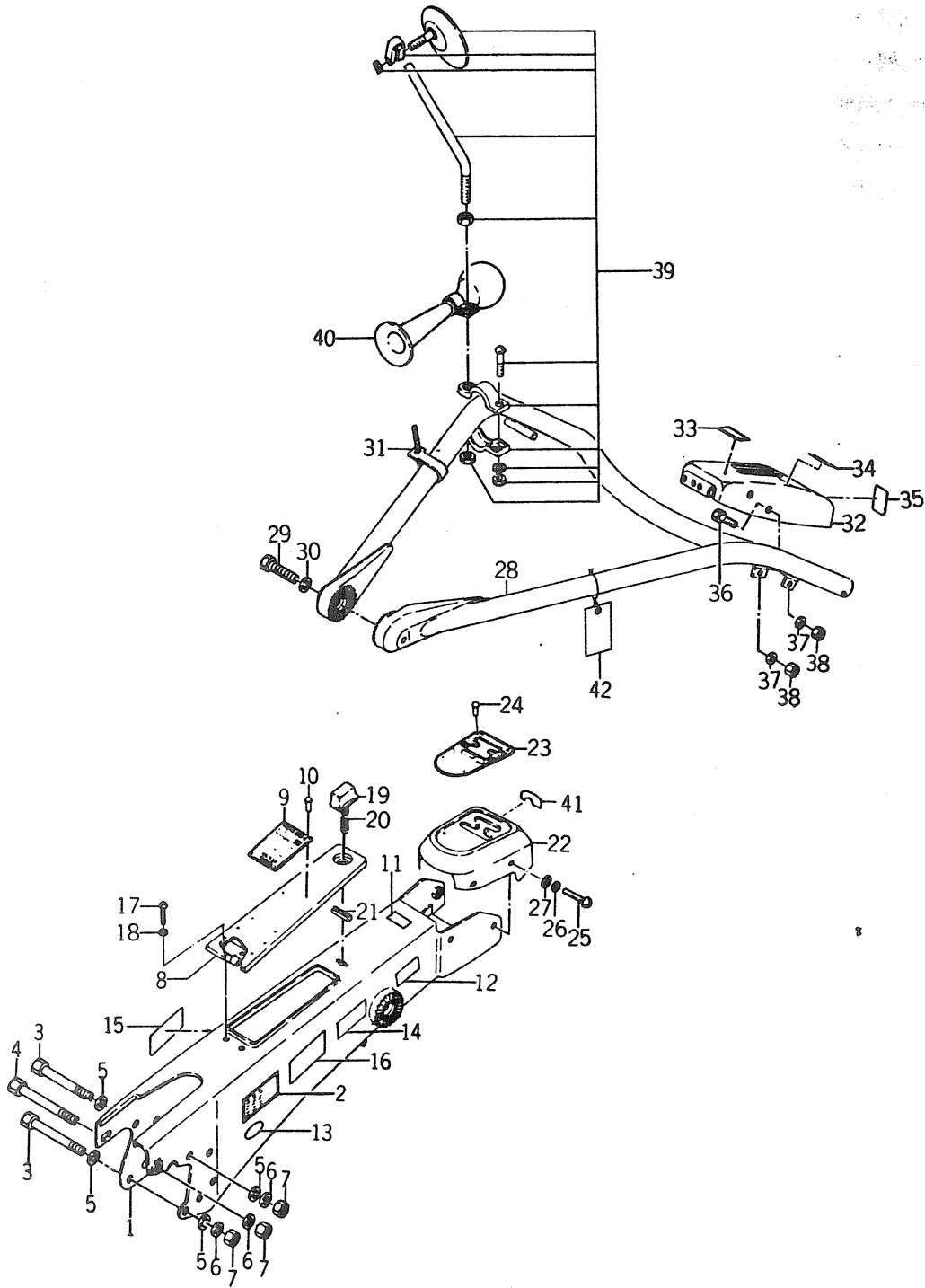


Fig. 12

HANDLE FRAME

Mancherons

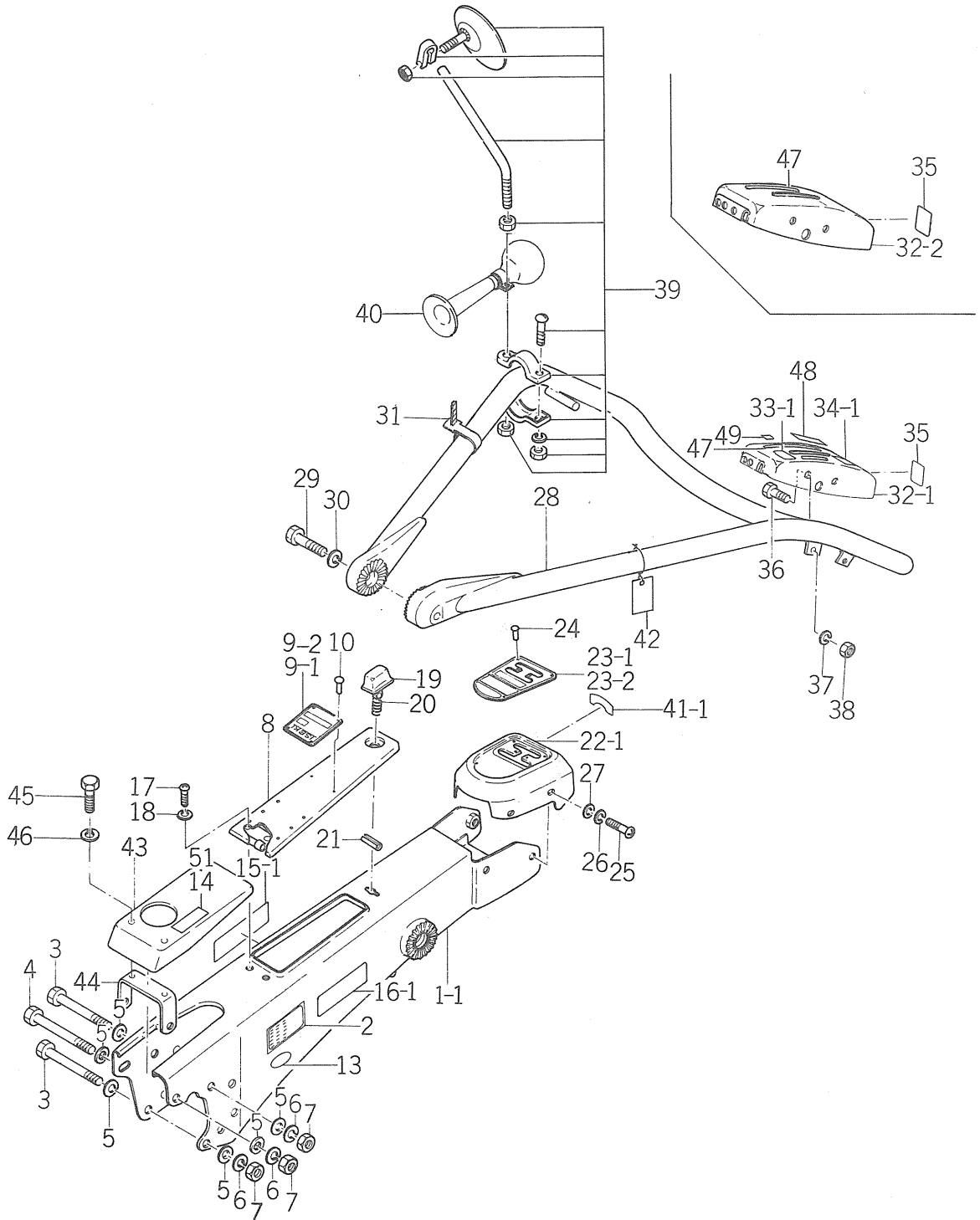
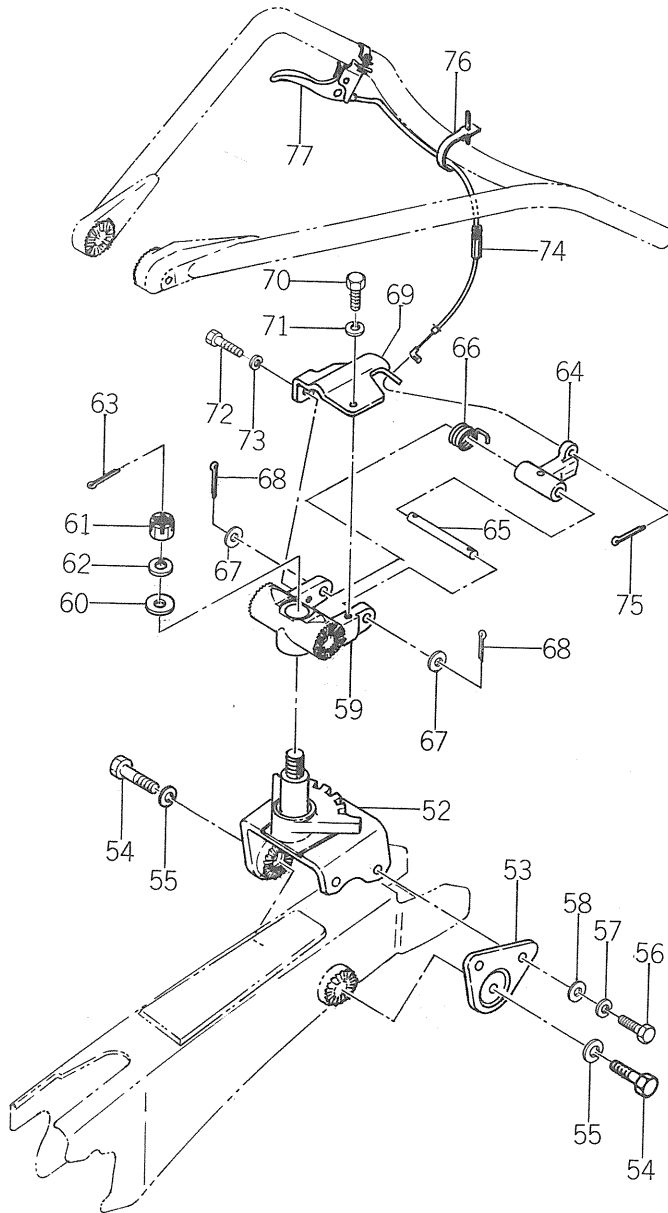


Fig. 12 HANDLE FRAME  
Mancherons



Ref No. Réf N°	Parts No. Pièces N°	Description Désignation	Model & Q'ty Modél & Quant			Remarks Remarques
			KS 650	KS 650D	KS 650E	
12- 1	1365-301-1001-0	FRAME, HANDLE Age	1			
12- 1-1	1368-301-1000-0	FRAME, HANDLE Age		1	1	{ DNo. 1-1000 ENo. 1-14970
12- 1-1a	1368-301-1001-0	FRAME, HANDLE Age		1	1	
12- 2	1352-925-0040-0	MARK, BELT ADJ Etiquette	1	1	1	{ DNo. 1001- ENo. 14971-
12- 3	V20126-101200	BOLT/M10×12 Vis	2	2	2	
12- 4	V20126-101250	BOLT/M10×125 Vis	1	1	1	
12- 5	V41316-001000	WASHER, PL/M10×125 Rondelle	4	4	6	
12- 6	V40116-001000	WASHER, SP/M10 Rondelle frein	3	3	3	
12- 7	V30026-001000	NUT/M10 Ecrou	3	3	3	
12- 8	1365-301-2000-0	COVER, TOOL BOX Portillon	1	1	1	
12- 9	1365-951-0012-0	MARK, MODEL A Plaquette	1			
12- 9-1	1371-951-0011-0	MARK, MODEL A Plaquette		1		
12- 9-2	1368-951-0010-0	MARK, MODEL A Plaquette			1	ENo. 1-14970
12- 9-2a	1368-951-0013-0	MARK, MODEL A Plaquette			1	ENo. 14971-
12- 9-3	1365-953-0010-0	MARK, MODEL B Etiquette	1			★
12-10	V29110-200040	RIVET/2×4 Rivet	4	4	4	Ⓣ
12-11	1324-957-0120-0	MARK Etiquette	1			
12-12	1331-954-0060-0	MARK Etiquette	1			★
12-13	4114-606-0030-0	MARK, ISO Etiquette	1	1	1	{ DNo. 1301- ENo. 14971-
12-14	1368-952-0010-0	MARK Etiquette	1	1		HE No. 1-
12-15	1372-952-0010-0	MARK, CAUTION A Etiquette	1			
12-15-1	1368-953-0010-0	MARK, CAUTION A Etiquette	1	1		No. 14971-
12-16	1372-952-0020-0	MARK, CAUTION B Etiquette	1			
12-16-1	1368-953-0020-0	MARK, CAUTION B Etiquette	1	1		No. 14971-
12-17	V11116-500120	SCREW/M5×12 Vis	2	2	2	
12-18	V40116-000500	WASHER, SP/M5 Rondelle frein	2	2	2	
12-19	1352-301-0010-0	KNOB, SET Fermeture	1	1	1	
12-20	1352-301-0020-0	SPRING, PRESS Ressort	1	1	1	
12-21	V58014-030180	PIN, SPRING/3×18 Goupille elastique	1	1	1	
12-22	1352-301-3000-0	PANEL, HANDLE Grille de vitesses	1			
12-22-1	1368-301-2000-0	PANEL, HANDLE Grille de vitesses		1	1	
12-23	1365-951-0020-0	MARK, MAIN SHIFT Etiquette	1			
12-23-1	1371-951-0020-0	MARK, MAIN SHIFT Etiquette		1		
12-23-2	1368-951-0020-0	MARK, MAIN SHIFT Etiquette			1	ENo. 1-14970
12-23-2a	1368-951-0021-0	MARK, MAIN SHIFT Etiquette			1	ENo. 14971-
12-24	V29110-200060	RIVET/2×6 Rivet	6	6	6	
12-25	V11116-600120	SCREW/M6×12 Vis	4	4	4	
12-26	V40116-000600	WASHER, SP/M6 Rondelle frein	4	4	4	

# No. 12

Ref No. Réf No.	Parts No. Pièces No.	Description Désignation	Model & Q'ty Modél & Quant			Remarks Remarques
			KS 650	KS 650D	KS 650E	
12-27	V41316-000600	WASHER, PL/M6 Rondelle	4	4	4	
12-28	1352-311-1000-0	PIPE, HANDLE Mancheron delta	1	1	1	
12-29	V20146-120450	BOLT/M12×45 8T Vis	2	2	2	
12-30	V40116-001200	WASHER, SP/M12 Rondelle frein	2	2	2	
12-31	1427-621-0260-0	CLAMP, HARNESS/150 Bracelet	2	2	2	
12-32	1352-404-1002-0	BOX, CLUTCH Guide d'embrayage	1			
12-32-1	1371-401-1000-0	BOX, CLUTCH Guide d'embrayage		1		
12-32-2	1368-401-1000-0	BOX, CLUTCH Guide d'embrayage			1	
12-33	1352-952-0010-0	MARK, CLUTCH A Etiquette	1			
12-33-1	1371-902-0010-0	MARK, CLUTCH A Etiquette		1		
12-34	1352-952-0020-0	MARK, CLUTCH B Etiquette	1			
12-34-1	1371-902-0020-0	MARK, CLUTCH B Etiquette		1		
12-35	1352-952-0030-0	MARK, BRAKE Etiquette	1	1	1	
12-36	V20126-080160	BOLT/M8×16 Vis	2	2	2	
12-37	V40116-000800	WASHER, SP/M8 Rondelle frein	2	2	2	
12-38	V30026-000800	NUT/M8 Ecrou	2	2	2	
12-39	1324-300-0510-0	MIRROR, R.VIEW SET Retroviseur	1	1	1	
12-40	1352-600-0520-0	HORN ASSY Corne	1	1		No. 3241
12-41	1352-902-0070-0	MARK, SWITCH A Etiquette	1			
12-41-1	1366-902-0180-0	MARK, SWITCH Etiquette		1		
12-42	1364-902-0090-0	TAG, CAUTION Etiquette	1	1	1	
12-43	1368-301-0010-0	COVER, HANDLE Couvercle		1	1	
12-44	1368-301-3000-0	HOLDER, COVER Support		1	1	
12-45	V20026-060120	BOLT/M6×12 Vis		2	2	
12-46	V40116-000600	WASHER, SP/M6 Rondelle frein		2	2	
12-47	1351-952-0020-0	MARK, CLUTCH Etiquette		1	1	
12-48	1371-952-0010-0	MARK, SUB SHIFT A Etiquette		1		HE No. 1-
12-49	1371-952-0020-0	MARK, SUB SHIFT B Etiquette		1		
12-50	1315-621-0140-0	BAND, WIRE Sangle			2	ENo. 1-14970
12-51	1338-953-0070-0	MARK, OIL Etiquette			1	
12-0-1	1372-351-0000-0	HANDLE REVOLUTION ASSY Mancheron ensemble	1	1	1	No. 114151- ENo. 114151-
12-52	1372-351-2001-0	BRACKET Support	1	1	1	
12-53	1372-351-2100-0	PLATE, SET Plaque	1	1	1	
12-54	V20146-120450	BOLT/M12×45 9T Vis	2	2	2	
12-55	V40116-001200	WASHER, SP/M12 Rondelle frein	2	2	2	
12-56	V20146-100250	BOLT/M10×25 9T Vis	2	2	2	
12-57	V40116-001000	WASHER, SP/M10 Rondelle frein	2	2	2	
12-58	V41316-001000	WASHER, PL/M10 Rondelle	2	2	2	

Ref No. Réf N°	Parts No. Pièces N°	Description Désignation	Model & Q'ty Modél & Quant			Remarks Remarques
			KS 650	KS 650D	KS 650E	
12-59	1372-351-0010-0	·METAL, HANDLE BRACKET Coquille	1	1	1	
12-60	1372-351-0020-0	·WASHER/17×40×5 Rondelle	1	1	1	
12-61	V32126-001600	·NUT, SLOTTED Ecrou a creneux	1	1	1	
12-62	V40116-001600	·WASHER, SP/M16 Rondelle frein	1	1	1	
12-63	V50015-400350	·PIN, SPLIT Goupille fendue	1	1	1	
12-64	1372-351-0031-0	·METAL, LOCK Coquille arretoir	1	1	1	
12-65	1324-353-0040-0	·PIN Axe	1	1	1	
12-66	1324-353-0050-0	·SPRING, TORQUE/36 Ressort	1	1	1	
12-67	V41316-001200	·WASHER, PL/M12 Rondelle	2	2	2	
12-68	V50015-300200	·PIN, SPLIT/3×20 Goupille fendue	2	2	2	
12-69	1372-351-0040-0	·HOLDER, WIRE Cable pivot	1	1	1	
12-70	V20126-080160	·BOLT/M8×16 Vis	1	1	1	
12-71	V40116-000800	·WASHER, SP/M8 Rondelle frein	1	1	1	
12-72	V20026-060350	·BOLT/M6×35 Vis	1	1	1	
12-73	V40116-000600	·WASHER, SP/M6 Rondelle frein	1	1	1	
12-74	1372-351-0050-0	·WIRE, HANDLE LOCK Cable	1	1	1	
12-75	V50015-250150	·PIN, SPLIT/2.5×15 Goupille fendue	1	1	1	
12-76	1427-621-0260-0	·CLAMP, HANESS/150 Attache faisceau	2	2	2	
12-77	1372-351-2200-0	·LEVER, LOCK ASSY Levier	1	1	1	

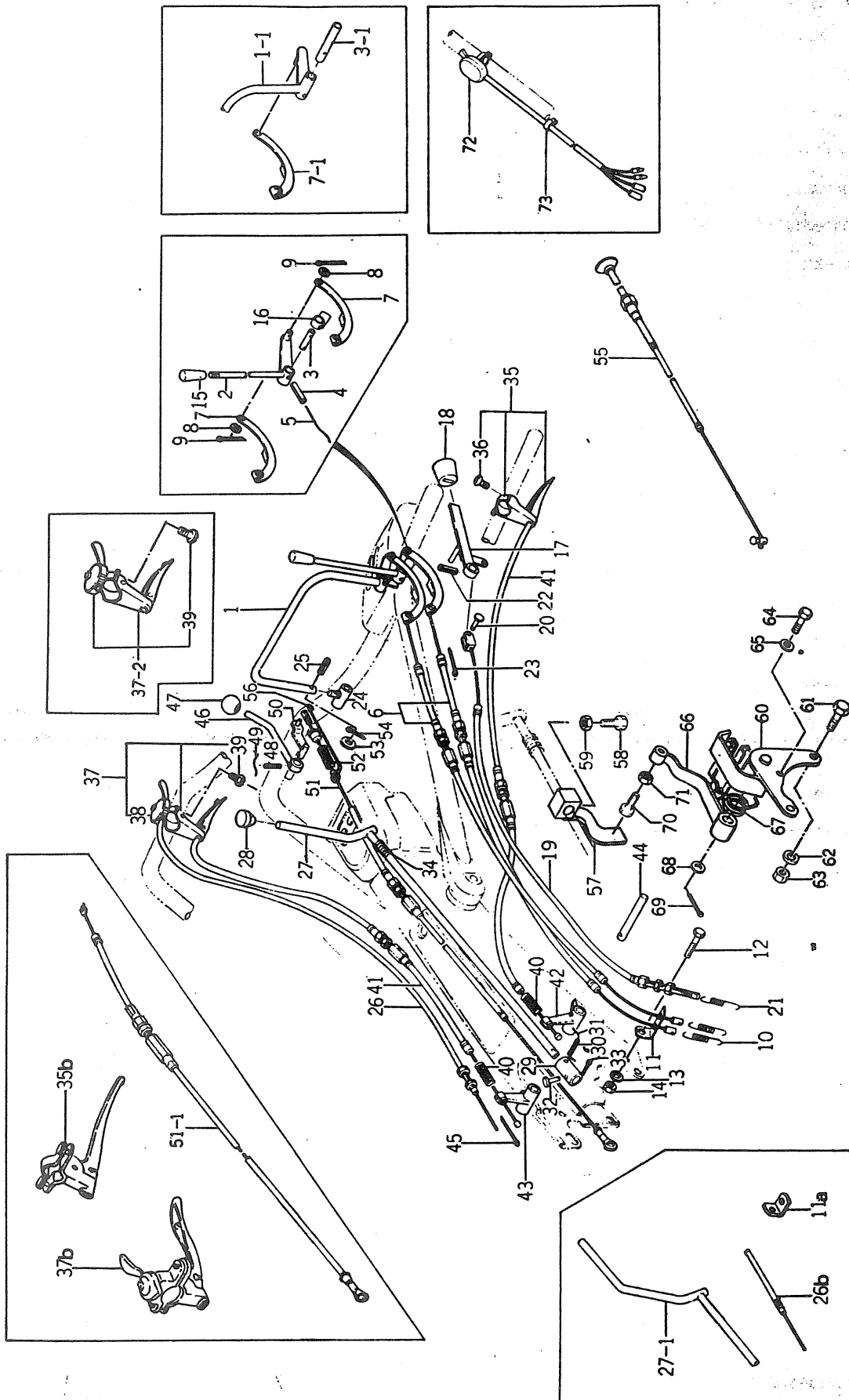




Ref No. Réf No.	Parts No. Pièces No.	Description Désignation	Model & Q'ty Modél & Quant			Remarks Remarques
			KS 650	KS 650D	KS 650E	
13- 1	1352-404-2001-0	LEVER, ARCH Arceau d'embrayage	1			
13- 1-1	1368-401-2000-0	LEVER, ARCH Arceau d'embrayage		1	1	
13- 2	1352-404-3001-0	LEVER, CLUTCH Lévier d'embrayage	1			
13- 3	1352-404-0011-0	PIN, CLUTCH Axe d'embrayage	1			
13- 3-1	1368-401-0010-0	PIN, CLUTCH Axe d'embrayage		1	1	
13- 4	V58014-040220	PIN, SPRING Goupille élastique	2	1	1	
13- 5	V59013-091000	WIRE/0.9×100 Fil	2	1	1	
13- 6	1352-404-0020-0	WIRE, CLUTCH Cable d'embrayage	2	1	1	No. 1-114150
13- 6a	1372-401-0010-0	WIRE, CLUTCH Cable d'embrayage	2	1	1	No. 114151-
13- 7	1352-405-1000-0	TRIGGER, WIRE Main de cable	2			
13- 7-1	1352-405-1010-0	TRIGGER, WIRE Main de cable		1	1	
13- 8	V41316-000800	WASHER, PL/M8 Rondelle	2	1	1	
13- 9	V50016-200150	PIN, SPLIT/2×15 Goupille fendue	2	1	1	
13-10	1352-404-0040-0	SPRING, CLUTCH Ressort	2	1	1	
13-11	1352-404-0050-0	STOPPER, WIRE Equerre d'arrêt	1	1	1	{ DNo. 1-104300 ENo. 1-19750 DNo. 104301- ENo. 19751-
13-11a	1371-401-0030-0	STOPPER, WIRE Equerre d'arrêt		1	1	
13-12	V20120-080750	BOLT/M8×75 Vis	1	1	1	
13-13	V40116-000800	WASHER, SP/M8 Rondelle frein	1	1	1	
13-14	V30026-000800	NUT/M8 Erou	1	1	1	
13-15	4106-105-3030-0	GRIP Poignée	1			
13-16	1352-404-4002-0	ARM, SHIFT A Fourchette	1			
13-17	1352-404-6002-0	LEVER, BRAKE Lévier de frein	1	1	1	
13-18	1352-404-0070-0	KNOB, LEVER/24 Embout	1	1	1	
13-19	1352-404-0080-0	WIRE, BRAKE Cable de frein	1	1	1	No. 1-114150
13-19a	1372-401-0020-0	WIRE, BRAKE Cable de frein	1	1	1	No. 114151-
13-20	1352-404-0090-0	PIN/6×10 Axe	1	1	1	
13-21	1352-404-0100-0	SPRING, BRAKE Ressort	1	1	1	
13-22	V58014-030280	PIN, SPRING/3×28 Goupille élastique	1			
13-23	V50016-200150	PIN, SPLIT/2×14 Goupille fendue	1	1	1	
13-24	1352-404-8000-0	HOLDER, CLUTCH LEVER Pivot d'arceau	1	1	1	
13-25	V58014-030150	PIN, SPRING/3×15 Goupille élastique	1	1	1	
13-26	1340-402-0010-0	WIRE, THROTTLE Cable d'accélérateur	1			Engine No. 1-690 Moteur
13-26a	1365-402-0010-0	WIRE, THROTTLE Cable d'accélérateur	1			Engine No. 691- Moteur
13-26b	1326-402-0020-0	WIRE, THROTTLE Cable d'accélérateur	1			No. 114151-
13-26-1	1365-402-0020-0	WIRE, THROTTLE Cable d'accélérateur	1	1	1	
13-27	1352-403-1001-0	LEVER, SHIFT Lévier de changement	1	1	1	{ GE, GE-R No. 1-14070 DE, DE-R No. 1-103600 E, EE No. 1-14970
13-27a	1352-403-1002-0	LEVER, SHIFT Lévier de changement	1	1	1	{ GE, GE-R No. 14071- DE, DE-R No. 103601- E, EE No. 14971-

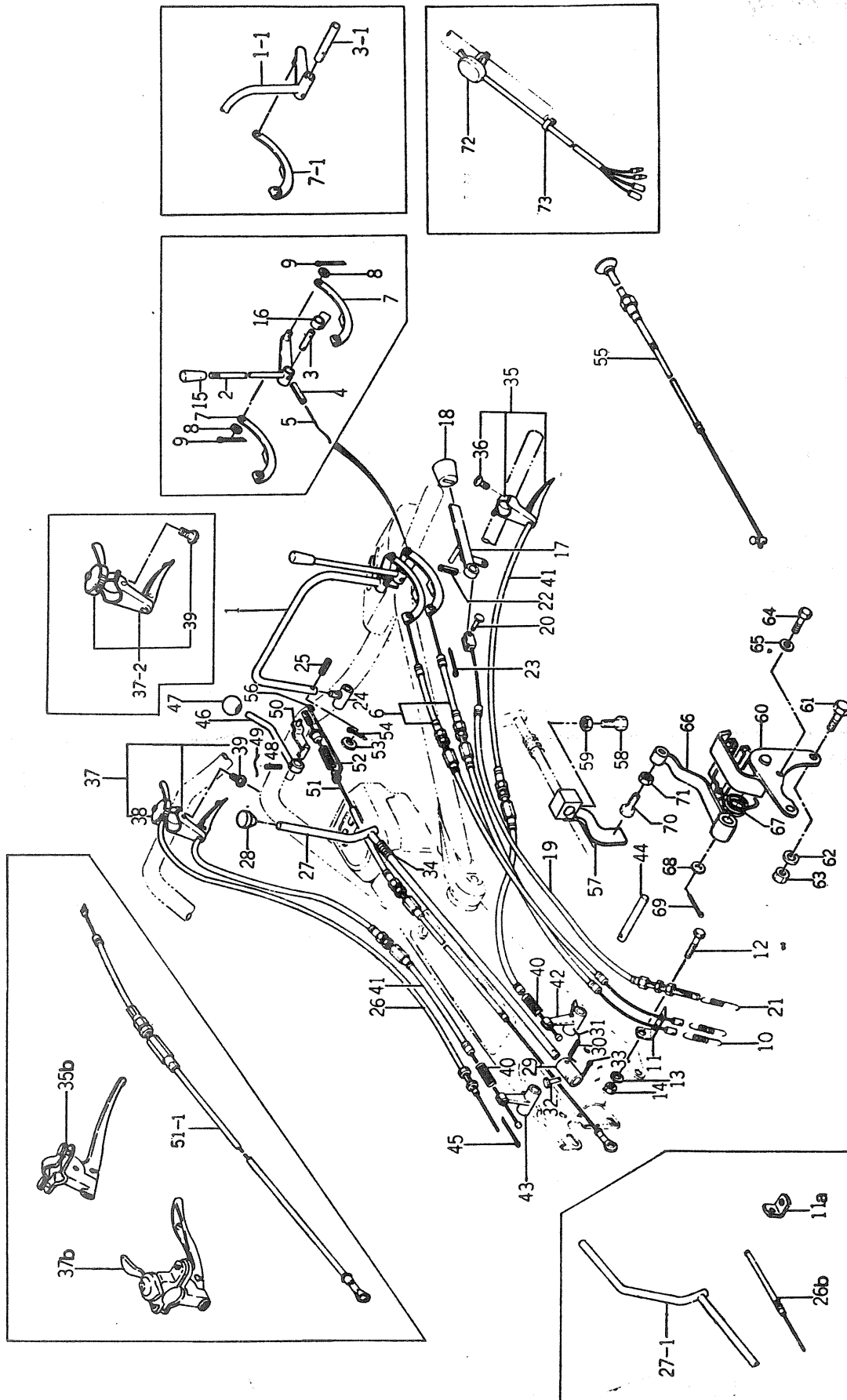
Fig. 13

CONTROL LEVER  
Commandes



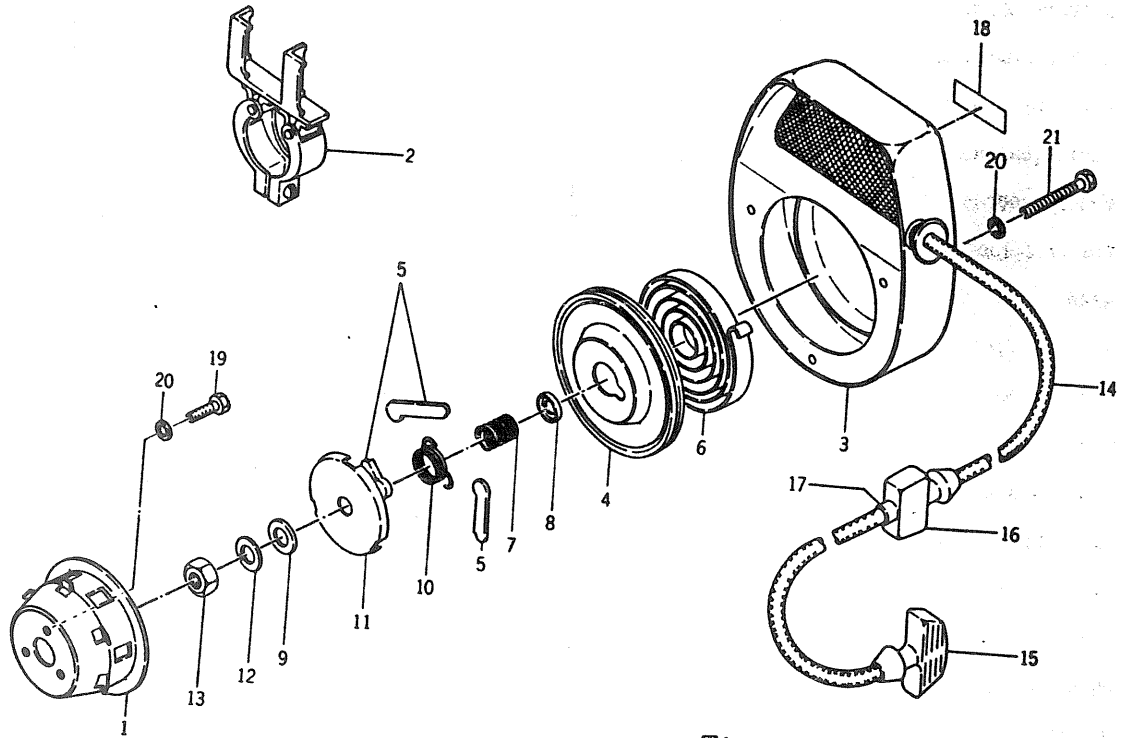
Ref No. Réf No.	Parts No. Pièces No.	Description Désignation	Model & Qty Modél & Quant			Remarks Remarques
			K8 650	K8 650D	K8 650E	
13-27-1	1372-451-2000-0	LEVER, SHIFT Lever de changement	1	1	1	GHE, GHE-R, EHE No.114151- DHE, DHE-R No.114151-
13-28	3563-102-0020-0	GRIP, SHIFT LEVER Pommeau	1	1	1	
13-29	1352-403-0010-0	JOINT Accouplement	1	1	1	GE, GE-R No.1-14070 DE, DE-R No.1-103600 E, EE No.1-14970
13-29a	1352-403-0011-0	JOINT Accouplement	1	1	1	GE, GE-R No.14071- DE, DER No.103601- GHE, GHE-R No.114151- E, EE No.14971-
13-30	V58014-040280	PIN, SPRING/W 4×28 Goupille elastique	1	1	1	GE, GE-R No.1-14070 E, EE No.1-14970
13-30a	V58014-050280	PIN, SPRING/W 5×28 Goupille elastique	1	1	1	GE, GE-R No.14071- GHE, GHE-R No.114151- E, EE No.14971-
13-31	V59013-090800	WIRE/0.9×80 Fil	1		1	GE, GE-R No.114151- GHE, GHE-R
13-32	1352-403-0020-0	PIN/5×28 Axe	1	1	1	
13-33	V50015-160120	PIN, SPLIT/1.6×12 Goupille fendue	1	1	1	
13-34	1352-403-0030-0	SPRING, PRESS/65 Ressort de rappel	1	1	1	No.1-14070 DNo.1-101300 ENo.1-14970
13-35	1324-400-0510-0	LEVER, SIDE LH ASSY Direction G.	1	1	1	
13-35a	1352-400-0520-0	LEVER, SIDE LH ASSY Direction G.	1	1	1	No.14071- DNo.101301- } 選択使用 ENo.14971- } 13-35a can be interchangeable with 13-35b
13-35b	1352-406-2000-0	LEVER, SIDE LH ASSY Direction G.	1	1	1	
13-36	V10015-600250	·SCREW/M6×25 Vis	2	2	2	
13-37	1324-400-0520-0	LEVER, SIDE RH ASSY Direction D.	1			No.1-6470
13-37a	1352-400-0510-0	LEVER, SIDE RH ASSY Direction D.	1			No.6471- } 選択使用 13-37a can be interchangeable with 13-37b
13-37b	1352-406-2100-0	LEVER, SIDE RH ASSY Direction D.	1			
13-37-1	1371-406-2000-0	LEVER, SIDE RH ASSY Direction D.		1		
13-37-2	1368-400-0510-0	LEVER, SIDE RH ASSY Direction D.			1	
13-38	1324-400-9010-0	·LEVER, THROTTLE ASSY Manettes des gaz	1			No.1-6470
13-39	V10015-600250	·SCREW/M6×25 Vis	2	2	2	
13-40	1317-406-0020-0	SPRING, PRESS/120 Ressort	2	2	2	
13-41	1352-406-0010-0	WIRE, SIDE CLUTCH Cable de clabotage	2	2	2	No.1-114150
13-41a	1372-406-0010-0	WIRE, SIDE CLUTCH Cable de clabotage	2	2	2	No.114151-
13-42	1352-406-0020-0	ARM, SIDE CLUTCH LH Etrier G.	1	1	1	
13-43	1352-406-0030-0	ARM, SIDE CLUTCH RH Etrier D.	1	1	1	
13-44	1352-406-0040-0	PIN, SIDE CLUTCH Axe d'etrier	1	1	1	
13-45	V50015-300180	PIN, SPLIT/3×18 Goupille fendue	1	1	1	
13-46	1352-416-1001-0	LEVER, STAND Lever de bequille	1	1	1	
13-47	1414-117-0040-0	KNOB, LEVER/30 Pommeau	1	1	1	
13-48	V58014-040220	PIN, SPRING/4×22 Goupille elastique	1	1	1	
13-49	V59013-090700	WIRE/0.9×70 Fil	1	1	1	
13-50	1352-416-2000-0	ARM, WIRE Bras de rappel	1	1	1	
13-51	1352-416-0011-0	WIRE, STAND Cable de bequille	1			
13-51-1	1368-416-0010-0	WIRE, STAND Cable de bequille		1	1	
13-52	1352-416-0021-0	SPRING, TENSION/63 Ressort	1	1	1	
13-53	V41016-000800	WASHER, PL/M8 Rondelle	2	2	2	

Fig. 13 CONTROL LEVER  
Commandes

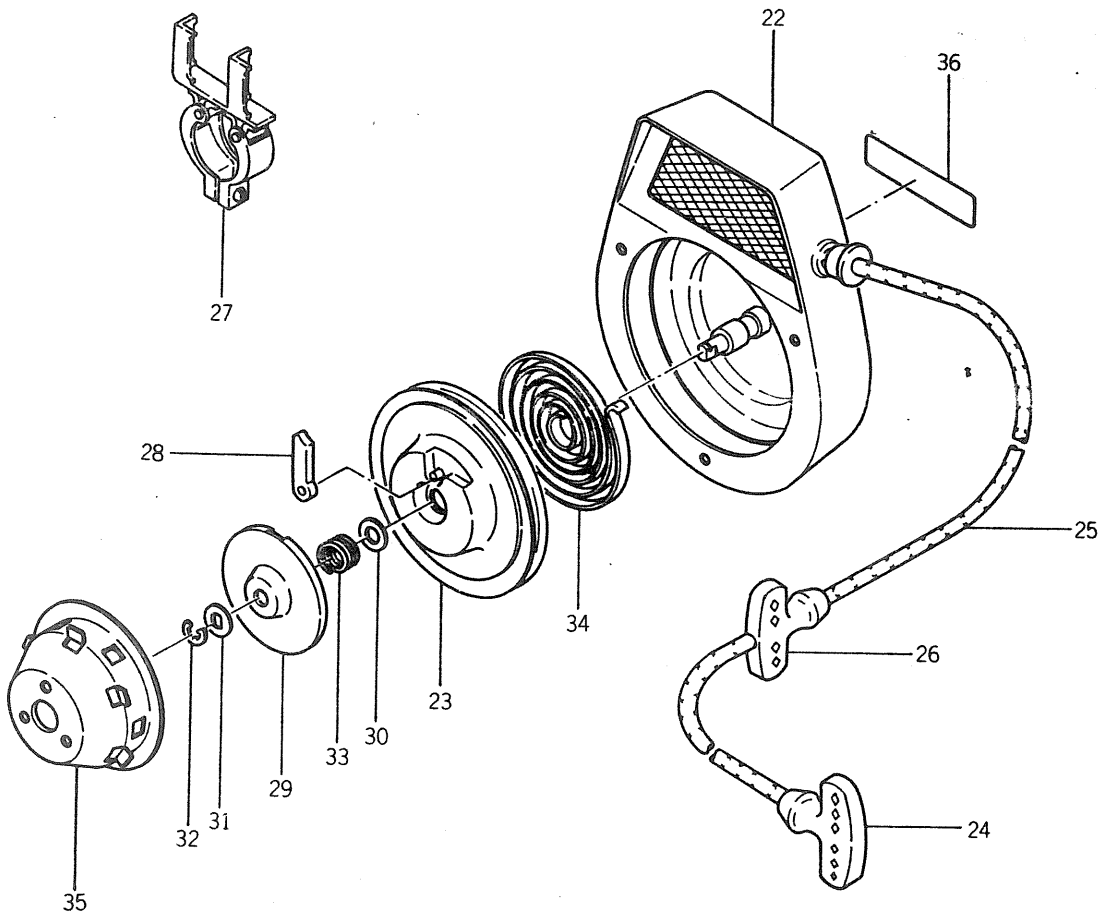


Ref No. Réf N°	Parts No. Pièces N°	Description Désignation	Model & Q'ty Modél & Quant			Remarks Remarques
			KS 650	KS 650D	KS 650E	
13-54	V50016-200150	PIN, SPLIT/2×15 Goupille fendue	2	2	2	No. 6471- For R-type Pour R
13-55	1352-402-0010-0	WIRE, CHOKE Cable de starter	1			
13-56	1352-416-0030-0	SPRING, STOPPER Limiteur	1	1	1	
13-57	1352-712-1000-0	ARM, BACKPROOF Bras de selecteur	1	1		
13-58	V20126-080200	BOLT/M8×20 Vis	1	1		
13-59	V30226-000800	NUT/M8 Erou	1	1		
13-60	1365-712-1000-0	BRACKET, LEVER Support de levier	1	1		
13-61	V20026-060200	BOLT/M6×20 Vis	1	1		
13-62	V40116-000600	WASHER, SP/M6 Rondelle frein	1	1		
13-63	V30026-000600	NUT/M6 Erou	1	1		
13-64	V20126-080200	BOLT/M8×20 Vis	2	2		
13-65	V40116-000800	WASHER, SP/M8 Rondelle frein	2	2		
13-66	1365-712-2000-0	LEVER, BACKPROOF Lever	1	1		
13-67	1352-712-0010-0	SPRING, TORQUE Ressort de torsion	1	1		
13-68	V41316-001200	WASHER, PL/M12 Rondelle	1	1		
13-69	V50015-300200	PIN, SPLIT/3×20 Goupille fendue	1	1		
13-70	W20126-080350	BOLT/M8×35 Vis	1	1		
13-71	V30226-000800	NUT/M8 Erou	1	1		
13-72	1366-600-0510-0	SWITCH, LIGHT ASSY Interrupteur		1	1	
13-73	1404-621-0270-0	CLAMP, WIRE HARNESS B Attache faisceau		1	1	

**Fig. 14 RECOIL STARTER**  
Lanceur



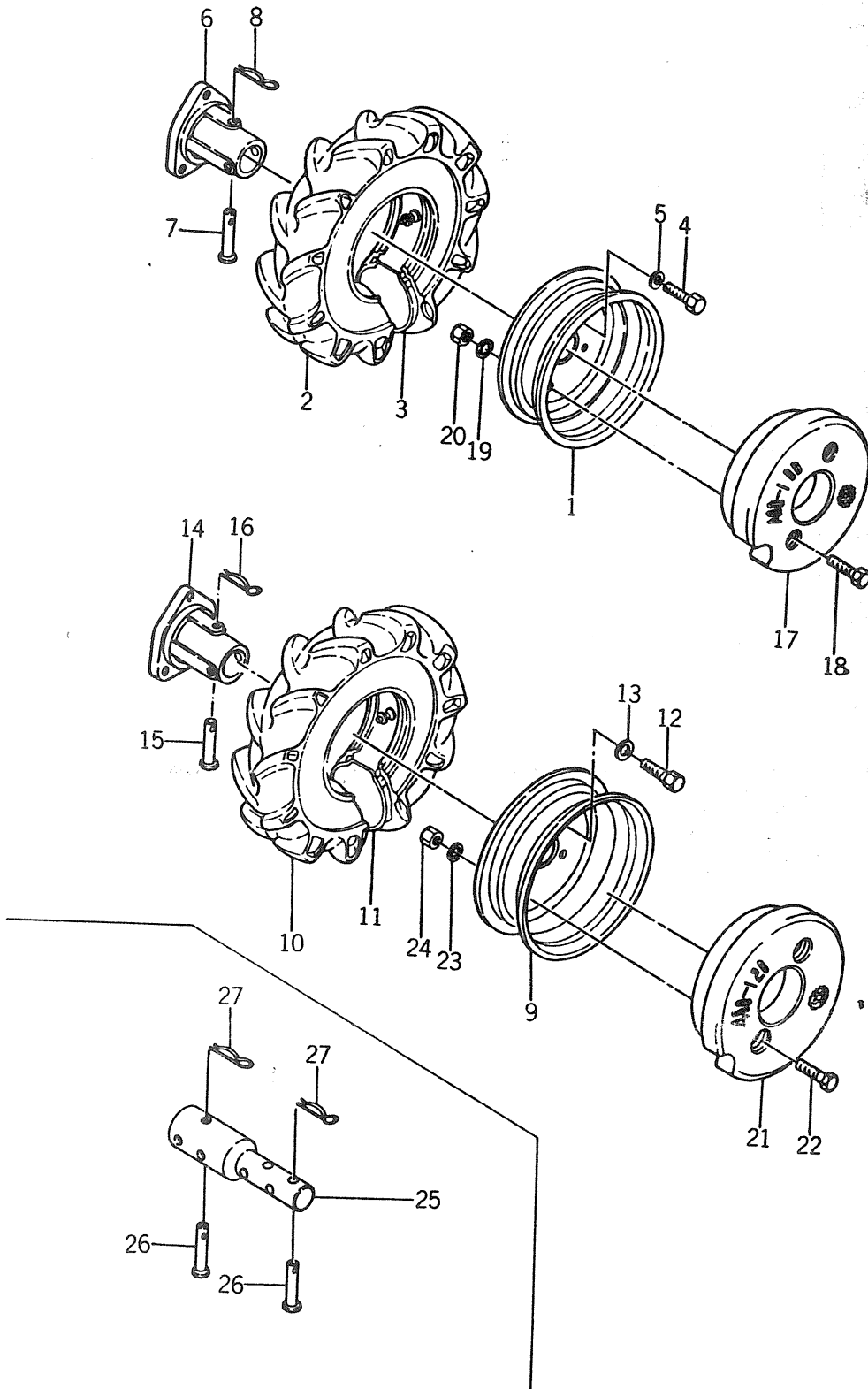
**Three ratchet type**



**One ratchet type**

Ref No. Réf N°.	Parts No. Pièces N°.	Description Désignation	Model & Q'ty Modél & Quant			Remarks Remarques
			KS 650	KS 650D	KS 650E	
14- 0-1	1365-100-0520-0	STARTER, RECOIL ASSY Lanceur complet	1			
14- 1	1365-121-0030-0	•PULLEY Poulie	1			
14- 2	1352-121-0080-0	•HOOK, WIRE Crochet de poignée	1			
14- 3	1365-121-0060-0	•CASE, STARTER Carter de lanceur	1			
14- 4	1365-121-0070-0	•REEL Bobine de renvidage	1			
14- 5	1365-121-0080-0	•RATCHET Cliquet	3			
14- 6	1365-121-0090-0	•SPRING, SPIRAL Ressort spirale	1			
14- 7	1374-121-0060-0	•SPRING, FRICTION Ressort de frottement	1			
14- 8	1374-121-0080-0	•WASHER Rondelle	1			
14- 9	1365-121-0120-0	•WASHER, THRUST Rondelle d'appui	1			
14-10	1374-121-0130-0	•SPRING, RETURN Ressort de rappel	1			
14-11	1365-121-0140-0	•PLATE, FRICTION Disque d'encliquetage	1			
14-12	V40116-000800	•WASHER, SP/M8 Rondelle frein	1			
14-13	V30226-000800	•NUT/M8 Erou	1			
14-14	1352-121-0050-0	•ROPE, STARTER Cordon	1			
14-15	1329-121-0140-0	•HANDLE Poignée	1			
14-16	1352-121-0060-0	•DAMPER Amortisseur de renvidage	1			
14-17	1352-121-0070-0	•PIECE, DAMPER Coupelle d'arrêt	1			
14-18	1352-151-0010-0	•MARK Etiquette	1			
14-19	V20046-060120	BOLT/M6 x 12 8T Vis	3			
14-20	V40116-000600	WASHER, SP/M6 Rondelle frein	6			
14-21	V20026-060650	BOLT/M6 x 65 Vis	3			
14- 0-1a	1365-151-2100-0	STARTER, RECOIL ASSY Lanceur complet	1			
14-22	1365-121-2110-0	•CASE, SUB: Carter de lanceur	1			
14-23	1365-121-2120-0	•REEL, SUB Bobine de renvidage	1			
14-24	1372-121-2140-0	•HANDLE, B Poignée	1			
14-25	1365-121-2130-0	•ROPE Cordon	1			
14-26	1372-121-2240-0	•HANDLE, A	1			
14-27	1372-121-2150-0	•HOOK, WIRE Crochet de poignée	1			
14-28	1372-121-2160-0	•RATCHET Cliquet	1			#25043-
14-29	1372-121-2170-0	•GUIDE, RATCHET Palier primaire	1			
14-30	1372-121-2180-0	•WASHER Rondelle	1			
14-31	1372-121-2190-0	•WASHER Rondelle	1			
14-32	1372-121-2210-0	•RING, SNAP/E Collet d'axe	1			
14-33	1372-121-2220-0	•SPRING, COIL	1			
14-34	1365-121-2140-0	•SPRING, FLAT Ressort	1			
14-35	1365-121-2150-0	•PULLEY, ENGINE Poulie matrice	1			
14-36	1372-121-2110-0	•MARK, TRADE Etiquette	1			

Fig. 15 WHEEL  
Roues





Ref No. Réf N°.	Parts No. Pièces N°.	Description Désignation	Model & Q'ty Modél & Quant			Remarks Remarques
			Ks 650	Ks 650D	Ks 650E	
15- 0-1	1365-024-2000-0	TIRE, LH ASSY/400-10 Roue G.	1	1	1	} EE, EHE ..... ☆
15- 0-2	1365-024-2100-0	TIRE, RH ASSY/400-10 Roue D.	1	1	1	
15- 1	1365-241-0010-1	·DRUM, WHEEL Jante	2	2	2	
15- 2	V88202-400100	·TIRE/400-10 Pneu	2	2	2	
15- 3	V88300-400100	·TUBE/400-10 Chambre a air	2	2	2	
15- 4	V20126-120200	BOLT/M12×20 Vis	6	6	6	
15- 5	V40116-001200	WASHER, SP/M12 Rondelle frein	6	6	6	
15- 6	1340-241-0010-0	BOSS, WHEEL Moyeu	2	2	2	
15- 7	1365-241-0020-0	PIN, HEADED Goupille	4	4	4	
15- 8	1305-241-0011-0	PIN, HAIR Attache beta	4	4	4	
15- 0-3	1365-024-3000-0	TIRE, LH ASSY/400-12 Roue G.	1	1	1	
15- 0-4	1365-024-3100-0	TIRE, RH ASSY/400-12 Roue D.	1	1	1	
15- 9	1365-242-0010-1	·DRUM, WHEEL Jante	2	2	2	
15-10	V88202-400120	·TIRE/400-12 Pneu	2	2	2	
15-11	V88300-400120	·TUBE/400-12 Chambre a air	2	2	2	
15-12	V20126-120200	BOLT/M12×20 Vis	6	6	6	
15-13	V40116-001200	WASHER, SP/M12 Rondelle frein	6	6	6	
15-14	1340-241-0010-0	BOSS, WHEEL Moyeu	2	2	2	
15-15	1365-241-0020-0	PIN, HEADED Goupille	4	4	4	
15-16	1305-241-0010-0	PIN, HAIR Attache beta	4	4	4	
15-17	1365-931-0010-0	WEIGHT, WHEEL/400-10D Masse pour roue	2	2	2	
15-18	V20126-121000	BOLT/M12×100 Vis	4	4	4	
15-19	V40116-001200	WASHER, SP/M12 Rondelle frein	4	4	4	
15-20	V30026-001200	NUT/M12 Ecrou	4	4	4	
15-21	1365-931-0020-0	WEIGHT, WHEEL/400-12D Masse pour roue	2	2	2	
15-22	V20126-121000	BOLT/M12×100 Vis	4	4	4	
15-23	V40116-001200	WASHER, SP/M12 Rondelle frein	4	4	4	
15-24	V30026-001200	NUT/M12 Ecrou	4	4	4	
15-25	1365-225-0020-0	SHAFT, SUB WHEEL Arbre	2	2	2	
15-26	1365-241-0020-0	PIN, HEADED Goupille	4	4	4	
15-27	1305-241-0010-0	PIN, HAIR Attache beta	4	4	4	





**Yvan Béal - 21, av. de l'Agriculture - B.P. 16  
Z.I. du Brézet - 63014 Clermont-Ferrand Cedex 2  
Tél : 04 73 91 93 51 - Télécopie : 04 73 90 23 11  
[www.yvanbeal.fr](http://www.yvanbeal.fr) - E-mail : [info@yvanbeal.fr](mailto:info@yvanbeal.fr)  
R.C.S. Clermont-Fd B 304 973 886 - S.A.S. au capital de 612 000 €**