

Directions for use of Parts Catalogue

1. Applicable model of machines

All component and option parts used for SSM48, SRM48, SBC350 mowers are listed in this parts catalogue.

2. Explanation for head paragraph

KEY	PART CODE	DESCRIPTION	QTY	TYPE OF MODEL				I T C	C O L	G R P	REMARKS
				TF15	TF17	TF19					
126	1614-508-200-00	FILTER(SUCTION) ASSY	1		*				4E		
127	V721-103-103-50	O-RING	1		*						
128	1614-508-260-00	FILTER(SUCTION) ASSY	1		*	981- -1799					
129	1614-508-262-00	FILTER(LH)	1	*	*	*					FIG. 164
		ASSY	1	*	*	*			4E	A	
			1	*	*	*		3			
						1- -1999					
						*					

- ① KEY shows the location of parts diagramed in the illustration.
- ② Parts numbers begin with `V` and `W` are standard parts of the market.
- ③ `LH` and `RH` on the parts name are described against the moving direction of the machine or are described on the condition how to install parts on the machines.
- ④ QTY shows the number of parts to be used for one unit of machine.
 `M` is indicated for parts supplied by a meter long.
 `ℓ` is indicated for parts supplied by liter.
 `AR` is indicated for parts need to be adjusted or regulated.
- ⑤ The following symbol classifies parts to be used for machines.
 `*` means standard parts.
 `T` shows that the parts can be installed as optional parts.
 `R` shows that the parts can be used as applicable parts to replace originally equipped parts.
- ⑥ Serial number : upper row shows the serial number for the first product and lower row for the last product.

Example : Serial no. 1 through to serial no. 1999.

⑦ ITC : Interchangeability

1 OLD ← NEW

New parts can be used in place of the old parts.

2 OLD → NEW

Old parts can be used in place of the new parts.

3 OLD ↔ NEW

Old parts and new parts can not be replaced each other.

⑧ COL : Color code

Color is signified with color code number for colored parts.

Please see the color list shown in the next page.

⑨ GRP : Parts shown in this column can be replaced by SET parts.

Exsample : Parts marked Ⓐ can be replaced by parts marked Ⓑ, and Ⓓ for Ⓒ, so the rest follow in the same alphabetical order.

⑩ Remarks

* Other maker's part code number is shown in this column.

* When Fig. No. is shown in the Remark column of SET parts or ASSY parts, each of their component parts are listed in said Fig. No.

3. Color :

The following colors are used for color parts.

COLOR CODE	C O L O R	SPRAY TYPE CODE NUMBER	PAINTS 4K DRUM	PAINTS 16K DRUM
4 G	CRYSTAL BLUE	1300-957-001-10	1300-957-003-00	1300-957-004-00
5 I	SUNESSET GRAY	1300-959-001-10	1300-959-003-00	1300-959-004-00
6 G	SUMMER WHITE	1300-958-001-10	1300-958-003-00	1300-958-004-00
7 F	MIRROR BLACK	1300-954-001-10	1300-954-003-00	1300-954-004-00

NOTE : Color code is signified only for the parts assigned by the maker as color parts.

4. Serial Numbers:

For chassies serial number is shown on the LABEL.

Please see



5. Parts Order

- 1) Parts numbers listed in the parts catalogue are all registered in "ISEKI on-line computer".
- 2) When you order parts, please make sure of correct numbers.
- 3) When substitute parts is available, the part number ordered will be automatically turned to a new part number.
- 4) Please be sure to use "ISEKI GENUINE PARTS".

Any other similar parts other than ISEKI parts when used may cause a trouble that makes us unable to repair or guarantee the warrant.

P. 1 *** STRUCTURE TABLE OF MODEL ***

M O D E L	S B C 1 E E E E 3 0 0 0 5 1 2 3 0	E E E E E E 2 2 4 4 5 0 0 0 0 0 0 1 2 1 2	E E E E J 5 5 5 5 E 0 0 0 0 0 0 1 1 2 2 1 T T	J E 0 2							
F I G											
1	*****	*****	*****								
2				* *							
3	*****	*****	*****	*							
4	*****	*****	*****	*							
5	*****	*****	*****								
6	*****	*****	*****								
7	*****	*****	*****								
8	*****	*****	*****	*							
9	*	* *	**	*							
10	*	* *	** *								
11	T										
12	T*										
13	*****	*****	*****	*							
14	*****	*****	*****	*							

CONTENTS

SSM48

JOINT (UNIVERSAL) SYSTEM (U TYPE)	Fig. 1
JOINT (UNIVERSAL) SYSTEM (EXCEPT U TYPE)	Fig. 2
JOINT (UNIVERSAL) SYSTEM (EXCEPT U TYPE) (OPTION)	Fig. 3
COUNTER SYSTEM (AE TYPE)	Fig. 4
CASE (BEVEL) SYSTEM (EXCEPT U TYPE)	Fig. 5
CASE (BEVEL) SYSTEM (U TYPE)	Fig. 6
PULLEY SYSTEM	Fig. 7
METAL AND BLADE SYSTEM	Fig. 8
DECK (MOWER/48) AND COVER SYSTEM	Fig. 9
GAUGE WHEEL SYSTEM	Fig. 10
LINK (FRONT) SYSTEM (U TYPE)	Fig. 11
LINK (MAIN) SYSTEM (U TYPE)	Fig. 12
LINK (REAR) SYSTEM (U15 TYPE)	Fig. 13
LINK (REAR) SYSTEM (U18 TYPE)	Fig. 14
PTO COVER SYSTEM (ME TYPE) (No.200001~)	Fig. 15
LABEL (EXCEPT U TYPE)	Fig. 16
LABEL (U TYPE)	Fig. 17
LABEL (E TYPE, EXCEPT U) (OPTION)	Fig. 18

CONTENTS

SRM 48

JOINT (UNIVERSAL) SYSTEM (U TYPE)	Fig. 1
JOINT (UNIVERSAL) SYSTEM (EXCEPT U TYPE)	Fig. 2
CASE (BEVEL) SYSTEM (EXCEPT U TYPE)	Fig. 3
CASE (BEVEL) SYSTEM (U TYPE)	Fig. 4
PULLEY SYSTEM	Fig. 5
METAL AND BLADE SYSTEM	Fig. 6
DECK (MOWER/48) AND COVER SYSTEM	Fig. 7
GAUGE WHEEL SYSTEM	Fig. 8
LINK (FRONT) SYSTEM (U TYPE)	Fig. 9
LINK (MAIN) SYSTEM (U TYPE)	Fig. 10
LINK (REAR) SYSTEM (U15 TYPE)	Fig. 11
LINK (REAR) SYSTEM (U18 TYPE)	Fig. 12
LABEL	Fig. 13

CONTENTS

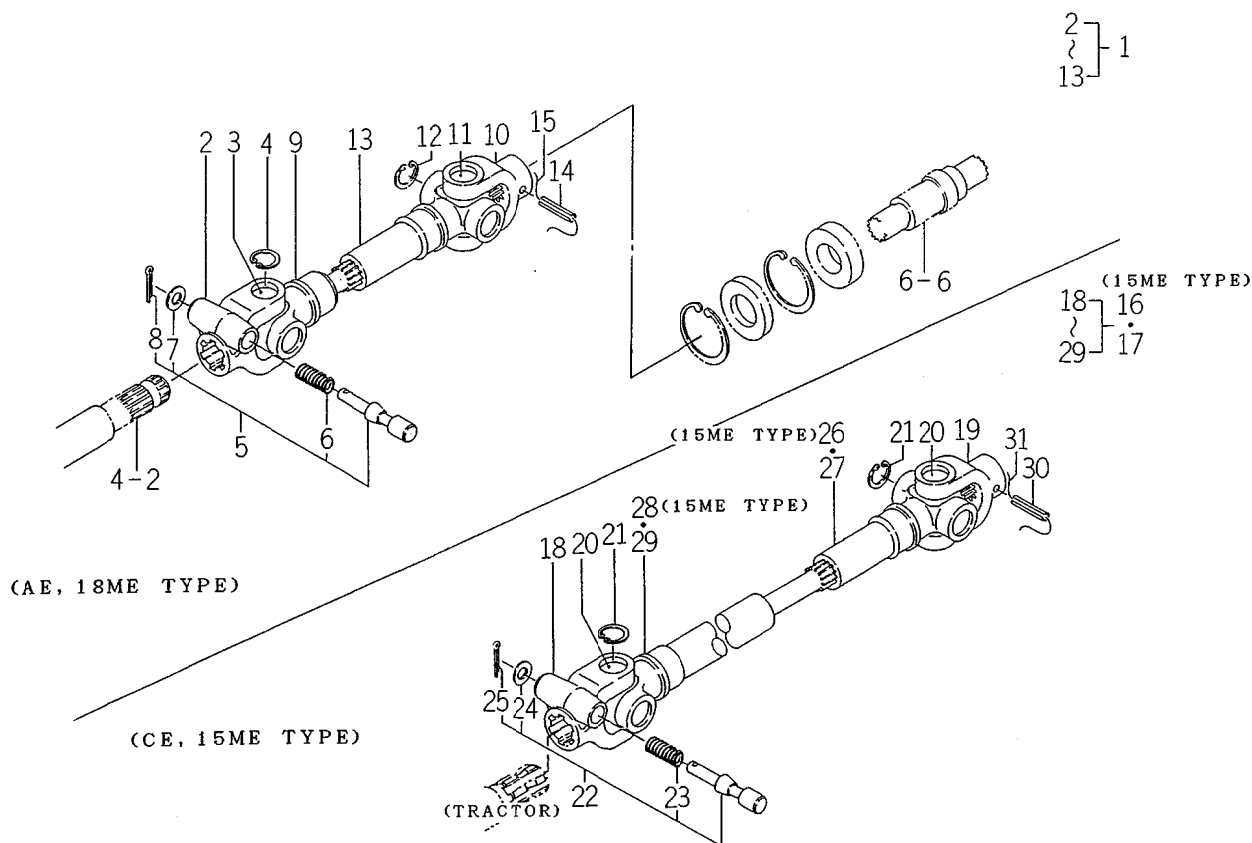
S B C 3 5 0

FRAME (COLLECTOR) SYSTEM (EXCEPT J TYPE)	Fig. 1
FRAME (COLLECTOR) SYSTEM (J TYPE)	Fig. 2
FRAME (BLOWER) SYSTEM	Fig. 3
FAN SYSTEM	Fig. 4
LEVER (COLLECTOR) SYSTEM (EXCEPT J TYPE)	Fig. 5
COLLECTOR (SIDE) SYSTEM (EXCEPT J TYPE)	Fig. 6
LOCK SYSTEM (EXCEPT J TYPE)	Fig. 7
COVER (SHOOTER) SYSTEM	Fig. 8
PTO (REAR) SET (02 TYPE)	Fig. 9
PTO (REAR) SET (01 TYPE)	Fig. 10
PTO (REAR) SET (EXCEPT 1, E TYPE) (OPTION)	Fig. 11
PTO (REAR) SET (1 TYPE - STANDARD • EXCEPT 1, E TYPE - OPTION)	Fig. 12
SENSOR (COLLECTOR) SYSTEM	Fig. 13
LABEL	Fig. 14

SSM48

IMPLEMENT MODEL	APPLICABLE MODEL	LANGUAGE
48E20	SG13, SG15H	GERMAN
48E201	SG17H	"
48E40	SG13, SG15H	ENGLISH
48E401	SG17H	"
48E50	SG13, SG15H	FRENCH
48E501	SG17H	"
48E50T	SG13, SG15H	ITALIAN
48E501T	SG17H	"
48U15AE40	For the customer of TU315F with front P.T.O. type A without front 3P linkage.	ENGLISH
48U15AE50		FRENCH
48U15CE50	For the customer of TU315F with front P.T.O. type C and front 3P linkage.	"
48U15ME50	For the customer of TU315F with mid P.T.O. and front 3P linkage.	"
48U18AE20	For the customer of TU318F with front P.T.O. type A without front 3P linkage.	GERMAN
48U18AE40		ENGLISH
48U18AE50		FRENCH
48U18CE20	For the customer of TU318F with front P.T.O. type C and front 3P linkage.	GERMAN
48U18CE40		ENGLISH
48U18CE50		FRENCH
48U18ME40	For the customer of TU318F with mid P.T.O. and front 3P linkage.	ENGLISH
48U18ME50		FRENCH
48	SG13, SG15	JAPANESE
4801		"

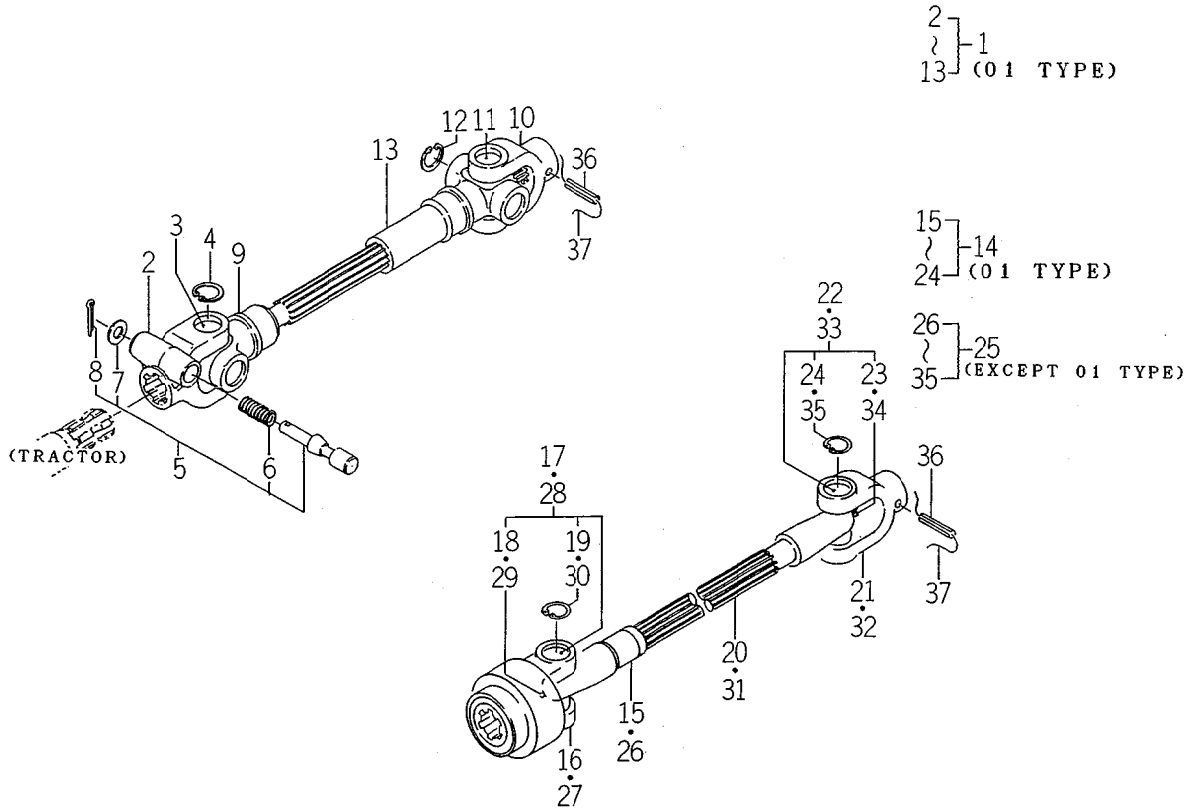
FIG. 1 JOINT (UNIVERSAL) SYSTEM (U TYPE)



8595-101

KEY	PART CODE	DESCRIPTION	QTY	TYPE OF MODEL		I T C	C O L	G R P	REMARKS
				SSM48					
1	8595 - 101 - 210 - 30	JOINT,UNIVERSAL SET	1	*					
2	8592 - 011 - 201 - 00	YOKE,SPLINE/A	1	*					
3	8592 - 011 - 204 - 00	JOURNAL KIT	1	*					
4	V705 - 140 - 020 - 00	RING,SNAP/20 C	4	*					
5	7918 - 101 - 240 - 00	PIN/14X73	1	*					
6	7918 - 101 - 242 - 00	SPRING/HC12X38	1	*					
7	V411 - 260 - 008 - 00	WASHER,PL/M 8	1	*					
8	V500 - 162 - 501 - 50	PIN,SPLIT/2.5X15	1	*					
9	8595 - 101 - 212 - 00	YOKE,SLEEVE SHAFT	1	*					
10	1427 - 431 - 011 - 00	YOKE,SPLINE B	1	*					
11	8592 - 011 - 204 - 00	JOURNAL KIT	1	*					
12	V705 - 140 - 020 - 00	RING,SNAP/20 C	4	*					
13	8595 - 101 - 211 - 00	YOKE,SLEEVE	1	*					
14	V580 - 140 - 603 - 20	PIN,SPRING/6 X32 W	1	*					
15		WIRE/1.0X150	1	*					
16	8595 - 101 - 250 - 00	JOINT,UNIVERSAL ASSY	1	*					
17	8595 - 101 - 260 - 00	JOINT,UNIVERSAL ASSY	1	*					
18	8592 - 011 - 201 - 00	YOKE,SPLINE/A	1	*					
19	1427 - 431 - 011 - 00	YOKE,SPLINE B	1	*					
20	8592 - 011 - 204 - 00	JOURNAL KIT	2	*					
21	V705 - 140 - 020 - 00	RING,SNAP/20 C	8	*					
22	7918 - 101 - 240 - 00	PIN/14X73	1	*					
23	7918 - 101 - 242 - 00	SPRING/HC12X38	1	*					
24	V411 - 260 - 008 - 00	WASHER,PL/M 8	1	*					
25	V500 - 162 - 501 - 50	PIN,SPLIT/2.5X15	1	*					

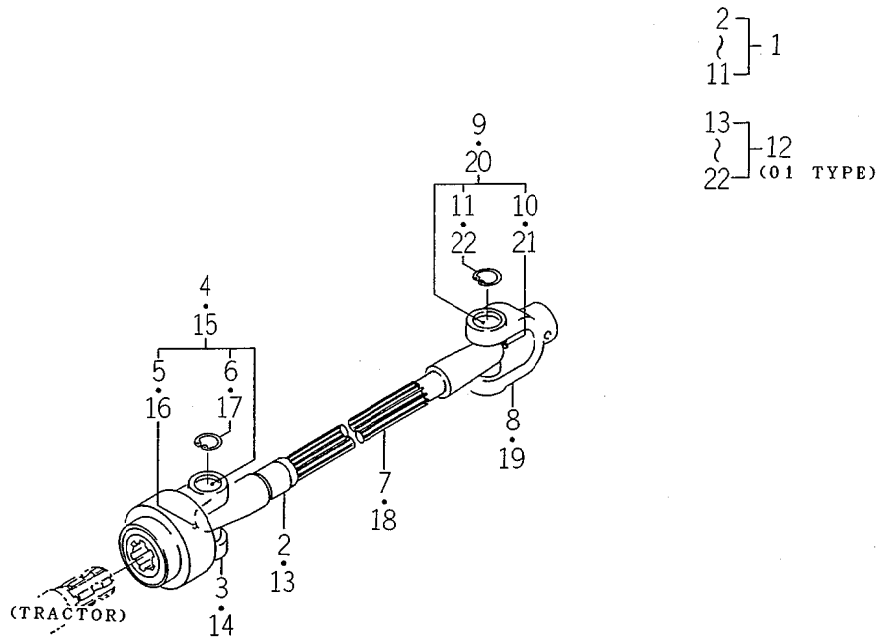
FIG. 2 JOINT (UNIVERSAL) SYSTEM (EXCEPT U TYPE)



8595-101C

KEY	PART CODE	DESCRIPTION	QTY	TYPE OF MODEL		I T C	C O L	G R P	REMARKS
				SSM48					
1	8595 - 101 - 300 - 00	JOINT,UNIVERSAL SET	1	1- -100179					
2	8592 - 011 - 201 - 00	YOKE,SPLINE/A	1	1- -100179					
3	8592 - 011 - 204 - 00	JOURNAL KIT	1	1- -100179					
4	V705 - 140 - 020 - 00	RING,SNAP/20 C	4	1- -100179					
5	7918 - 101 - 240 - 00	PIN/14X73	1	1- -100179					
6	7918 - 101 - 242 - 00	SPRING/HC12X38	1	1- -100179					
7	V411 - 260 - 008 - 00	WASHER,PL/M 8	1	1- -100179					
8	V500 - 162 - 501 - 50	PIN,SPLIT/2.5X15	1	1- -100179					
9	8595 - 101 - 311 - 00	YOKE,SLEEVE SHAFT	1	1- -100179					
10	1427 - 431 - 011 - 00	YOKE,SPLINE B	1	1- -100179					
11	8592 - 011 - 204 - 00	JOURNAL KIT	1	1- -100179					
12	V705 - 140 - 020 - 00	RING,SNAP/20 C	4	1- -100179					
13	8595 - 101 - 211 - 00	YOKE,SLEEVE	1	1- -100179					
14	8595 - 101 - 450 - 00	JOINT,UNIVERSAL SET	1	100180-					
15	8595 - 101 - 461 - 00	YOKE,SPLINE	1	100180-					
16	8595 - 101 - 412 - 00	YOKE,AS ASSY	1	100180-					
17	8654 - 101 - 230 - 00	JOURNAL CROSS ASSY	1	100180-					
18	8654 - 101 - 232 - 00	NIPPLE,GREASE	1	100180-					
19	8654 - 101 - 233 - 00	CIRCLIP	4	100180-					
20	8595 - 101 - 471 - 00	SHAFT,YOKE ASSY	1	100180-					
21	8595 - 101 - 422 - 00	YOKE FITING	1	100180-					
22	8654 - 101 - 230 - 00	JOURNAL CROSS ASSY	1	100180-					
23	8654 - 101 - 232 - 00	NIPPLE,GREASE	1	100180-					
24	8654 - 101 - 233 - 00	CIRCLIP	4	100180-					
25	8595 - 101 - 400 - 00	JOINT,UNIVERSAL SET	1	*					

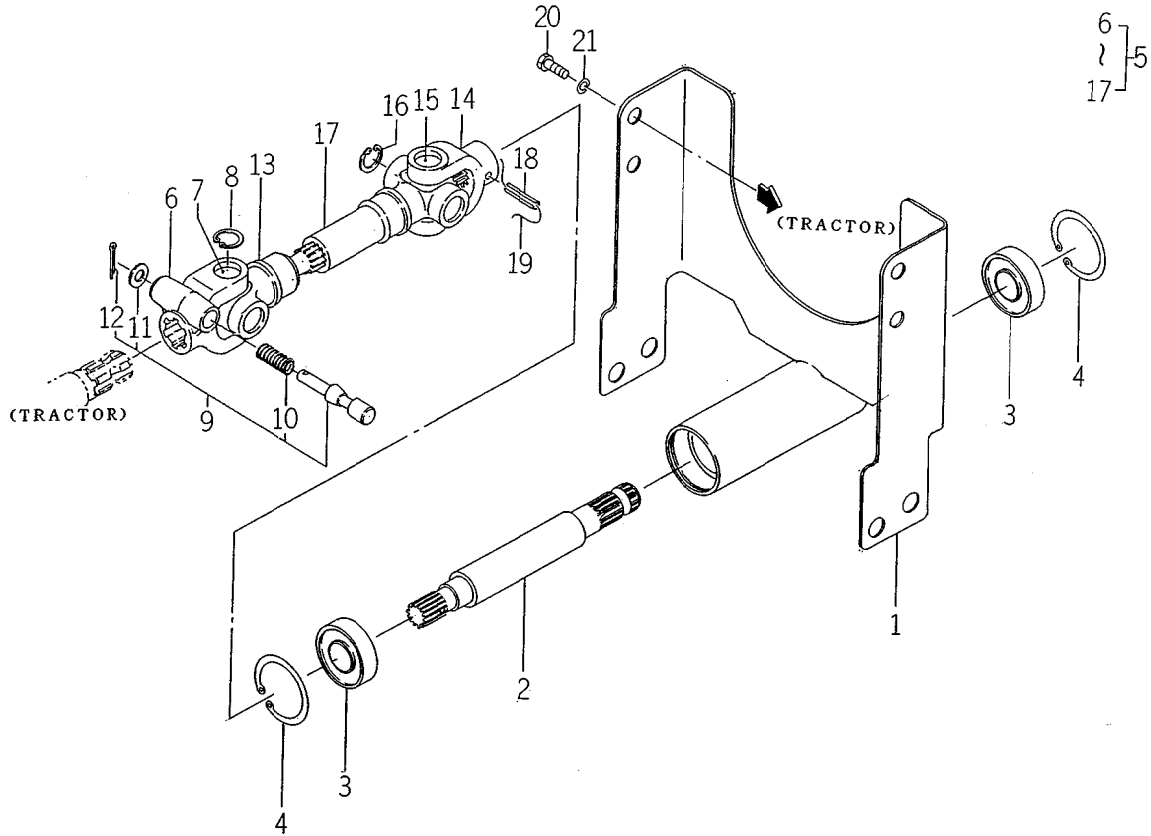
FIG. 3 JOINT (UNIVERSAL) SYSTEM (EXCEPT U TYPE) (OPTION)



8595-101Y

KEY	PART CODE	DESCRIPTION	QTY	TYPE OF MODEL		I T C	C O L	G R P	REMARKS
				SSM48					
1	8595 - 101 - 400 - 00	JOINT,UNIVERSAL SET	1	T					
2	8595 - 101 - 411 - 00	YOKE,SPLINE	1	T					
3	8595 - 101 - 412 - 00	YOKE,AS ASSY	1	T					
4	8654 - 101 - 230 - 00	JOURNAL CROSS ASSY	1	T					
5	8654 - 101 - 232 - 00	NIPPLE,GREASE	1	T					
6	8654 - 101 - 233 - 00	CIRCLIP	4	T					
7	8595 - 101 - 421 - 00	SHAFT,YOKE ASSY	1	T					
8	8595 - 101 - 422 - 00	YOKE,FITING	1	T					
9	8654 - 101 - 230 - 00	JOURNAL CROSS ASSY	1	T					
10	8654 - 101 - 232 - 00	NIPPLE,GREASE	1	T					
11	8654 - 101 - 233 - 00	CIRCLIP	4	T					
12	8595 - 101 - 450 - 00	JOINT,UNIVERSAL SET	1	T					
13	8595 - 101 - 461 - 00	YOKE,SPLINE	1	T					
14	8595 - 101 - 412 - 00	YOKE,AS ASSY	1	T					
15	8654 - 101 - 230 - 00	JOURNAL CROSS ASSY	1	T					
16	8654 - 101 - 232 - 00	NIPPLE,GREASE	1	T					
17	8654 - 101 - 233 - 00	CIRCLIP	4	T					
18	8595 - 101 - 471 - 00	YOKE SHAFT ASSY	1	T					
19	8595 - 101 - 422 - 00	YOKE FITING	1	T					
20	8654 - 101 - 230 - 00	JOURNAL CROSS ASSY	1	T					
21	8654 - 101 - 232 - 00	NIPPLE,GREASE	1	T					
22	8654 - 101 - 233 - 00	CIRCLIP	4	T					

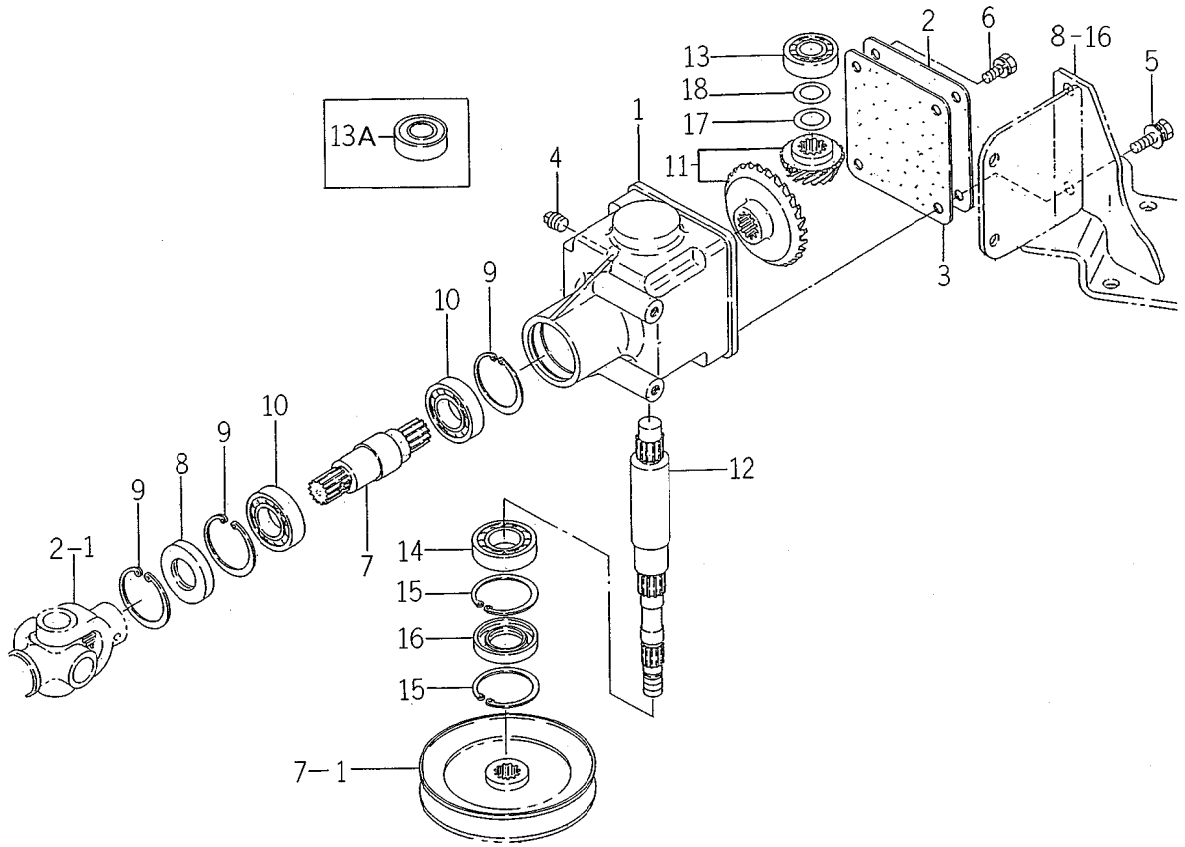
FIG. 4 COUNTER SYSTEM (AE TYPE)



8595-102

KEY	PART CODE	DESCRIPTION	QTY	TYPE OF MODEL		I T C	C O L	G R P	REMARKS
				SSM48					
1	8595 - 102 - 210 - 20	HOLDER,COUNTER COMP	1	*					
2	8595 - 102 - 001 - 00	SHAFT,COUNTER	1	*					
3	V600 - 150 - 620 - 50	BEARING,RB/6205SS	2	*					
4	V705 - 140 - 052 - 00	RING,SNAP/52 C	2	*					
5	8595 - 101 - 210 - 30	JOINT,UNIVERSAL SET	1	*					
6	8592 - 011 - 201 - 00	YOKE,SPLINE/A	1	*					
7	8592 - 011 - 204 - 00	JOURNAL KIT	1	*					
8	V705 - 140 - 020 - 00	RING,SNAP/20 C	4	*					
9	7918 - 101 - 240 - 00	PIN/14X73	1	*					
10	7918 - 101 - 242 - 00	SPRING/HC12X38	1	*					
11	V411 - 260 - 008 - 00	WASHER,PL/M 8	1	*					
12	V500 - 162 - 501 - 50	PIN,SPLIT/2.5X15	1	*					
13	8595 - 101 - 212 - 00	YOKE,SLEEVE SHAFT	1	*					
14	1427 - 431 - 011 - 00	YOKE,SPLINE B	1	*					
15	8592 - 011 - 204 - 00	JOURNAL KIT	1	*					
16	V705 - 140 - 020 - 00	RING,SNAP/20 C	4	*					
17	8595 - 101 - 211 - 00	YOKE,SLEEVE	1	*					
18	V580 - 140 - 603 - 20	PIN,SPRING/6 X32 W	1	*					
19		WIRE/1.0X150	1	*					
20	V201 - 261 - 203 - 00	BOLT/M12X30	4	*					
21	V401 - 160 - 012 - 00	WASHER,SP/M12	4	*					

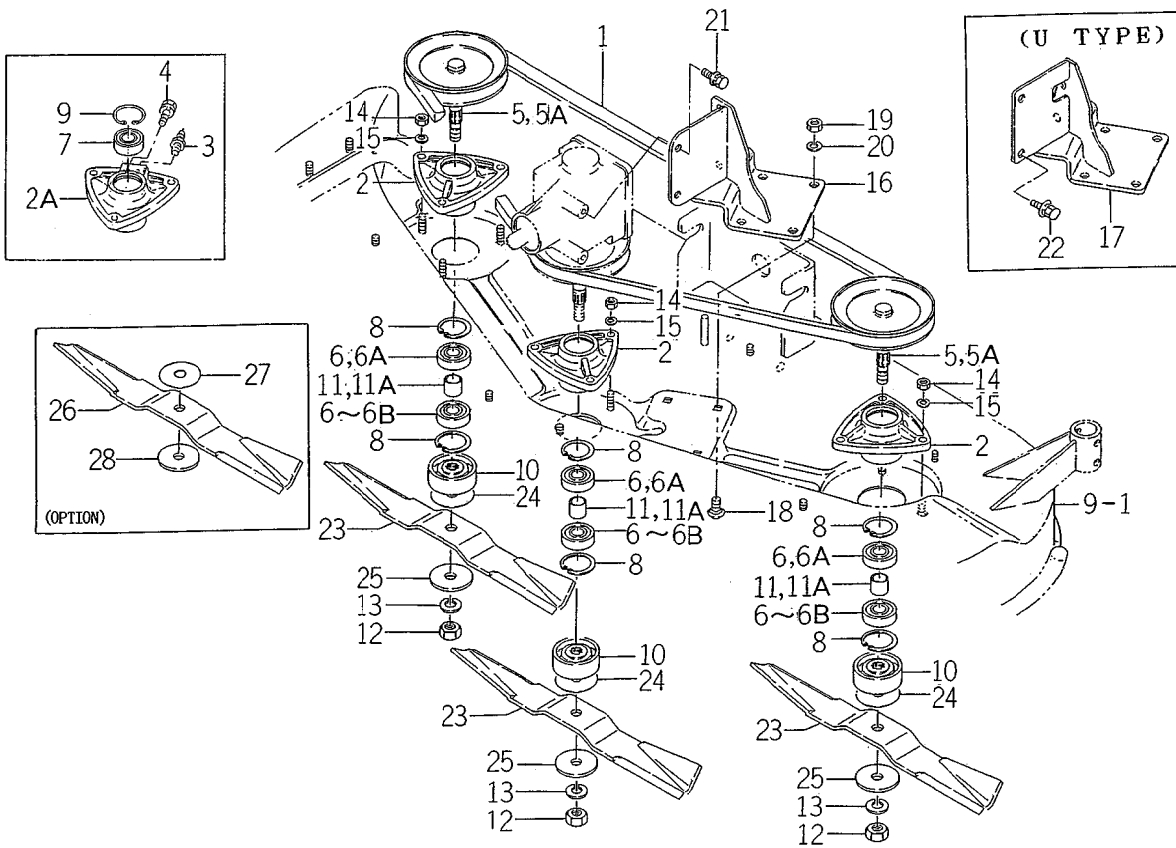
FIG. 5 CASE (BEVEL) SYSTEM (EXCEPT U TYPE)



8595-201A

KEY	PART CODE	DESCRIPTION	QTY	TYPE OF MODEL		I T C	C O L	G R P	REMARKS
				SSM48					
1	8595 - 201 - 051 - 10	CASE,BEVEL	1	*					
2	8595 - 201 - 052 - 20	PLATE/1 - 108X112	1	*					
3	8595 - 201 - 053 - 20	GASKET,CASE	1	*					
4	V781 - 160 - 000 - 40	PLUG	1	*					
5	V211 - 360 - 802 - 00	BOLT,SP/M8X20	2	*					
6	V211 - 260 - 801 - 60	BOLT,S/M8X16	2	*					
7	8595 - 201 - 054 - 10	SHAFT,INPUT	1	*					
8	V744 - 125 - 470 - 80	SEAL,OIL/TC25478	1	*					
9	V705 - 140 - 047 - 00	RING,SNAP/47 C	3	*					
10	8595 - 201 - 009 - 00	BEARING,BALL	2	*					
11	8595 - 201 - 200 - 10	GEAR,BEVEL/16 - 28SET	1	*					
12	8595 - 201 - 057 - 40	SHAFT	1	*					
13	V600 - 110 - 620 - 30	BEARING,RB/6203	1	*					
13A	8595 - 201 - 005 - 00	BEARING,RB/6203	1	1-5879 5880-					
14	8595 - 201 - 009 - 00	BEARING,BALL	1	*					
15	V705 - 140 - 047 - 00	RING,SNAP/47 C	2	*					
16	V744 - 125 - 470 - 80	SEAL,OIL/TC25478	1	*					
17	8595 - 201 - 069 - 10	SHIM/0.5	1	*					
18	8595 - 201 - 071 - 00	SHIM/0.2	1	*					

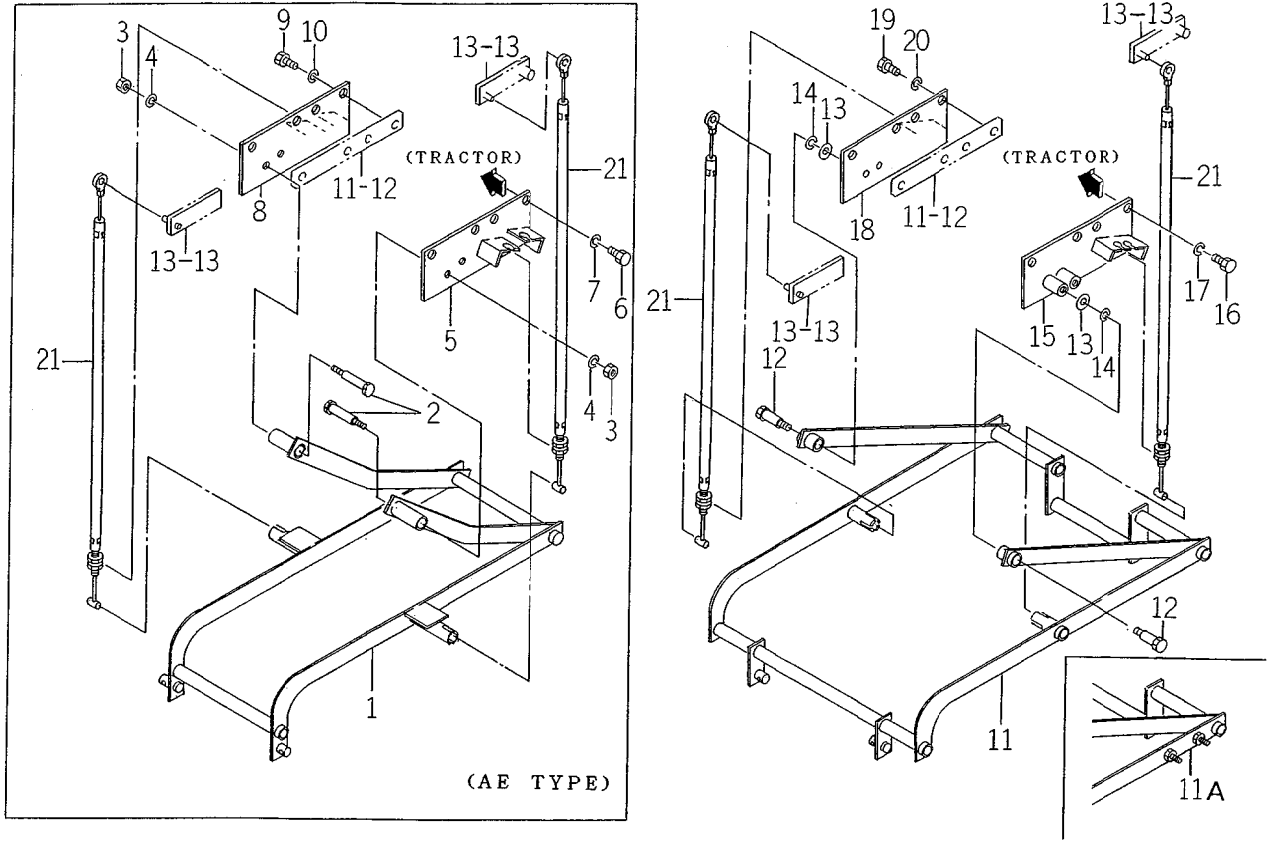
FIG. 8 METAL AND BLADE SYSTEM



8595-203A

KEY	PART CODE	DESCRIPTION	QTY	TYPE OF MODEL		I T C	C O L	G R P	REMARKS
				SSM48					
1	8595 - 203 - 002 - 20	BELT,V/B091	1	*					
2	8595 - 301 - 001 - 70	METAL	3	1- 7682					
2A	8595 - 301 - 013 - 00	METAL	3	7683-					
3	V760 - 150 - 000 - 00	NIPPLE,GREASE	3	7683-					
4	V210 - 260 - 601 - 20	BOLT,S/M6X12	3	7683-					
5	8595 - 301 - 500 - 50	PULLEY,VB120 COMP	2	1- 7682					
5A	8595 - 301 - 520 - 00	PULLEY/VB120 COMP	2	7683-					
6	8595 - 301 - 008 - 00	BEARING,RB	6	1- 5379					
6A	8595 - 301 - 008 - 10	BEARING,RB/6203	6	5880- 7682					
6B	8595 - 301 - 011 - 00	BEARING,BALL	3	7683-					
7	8595 - 301 - 009 - 00	BEARING,BALL	3	7683-					
8	V705 - 140 - 040 - 00	RING,SNAP/40 C	3	*					
9	V705 - 140 - 047 - 00	RING,SNAP/47 C	3	7683-					
10	8595 - 301 - 005 - 30	HUB,BLADE	3	*					
11	8595 - 301 - 004 - 30	HUB/18X22X20	3	1- 7682					
11A	8595 - 301 - 012 - 00	HUB/17X25X18	3	7683-					
12	V304 - 460 - 014 - 00	NUT/M14	3	*					
13	V401 - 160 - 014 - 00	WASHER,SP/M14	3	*					
14	V304 - 260 - 008 - 00	NUT/M8	9	*					
15	V401 - 160 - 008 - 00	WASHER,SP/M 8	9	*					
16	8595 - 301 - 510 - 40	BRACKET,CASE COMP	1	*					
17	8595 - 301 - 610 - 00	BRACKET,CASE COMP	1	*					
18	8595 - 301 - 007 - 10	BOLT/M10X20	4	*					
19	V304 - 260 - 010 - 00	NUT	4	*					
20	V401 - 160 - 010 - 00	WASHER,SP/M10	4	*					

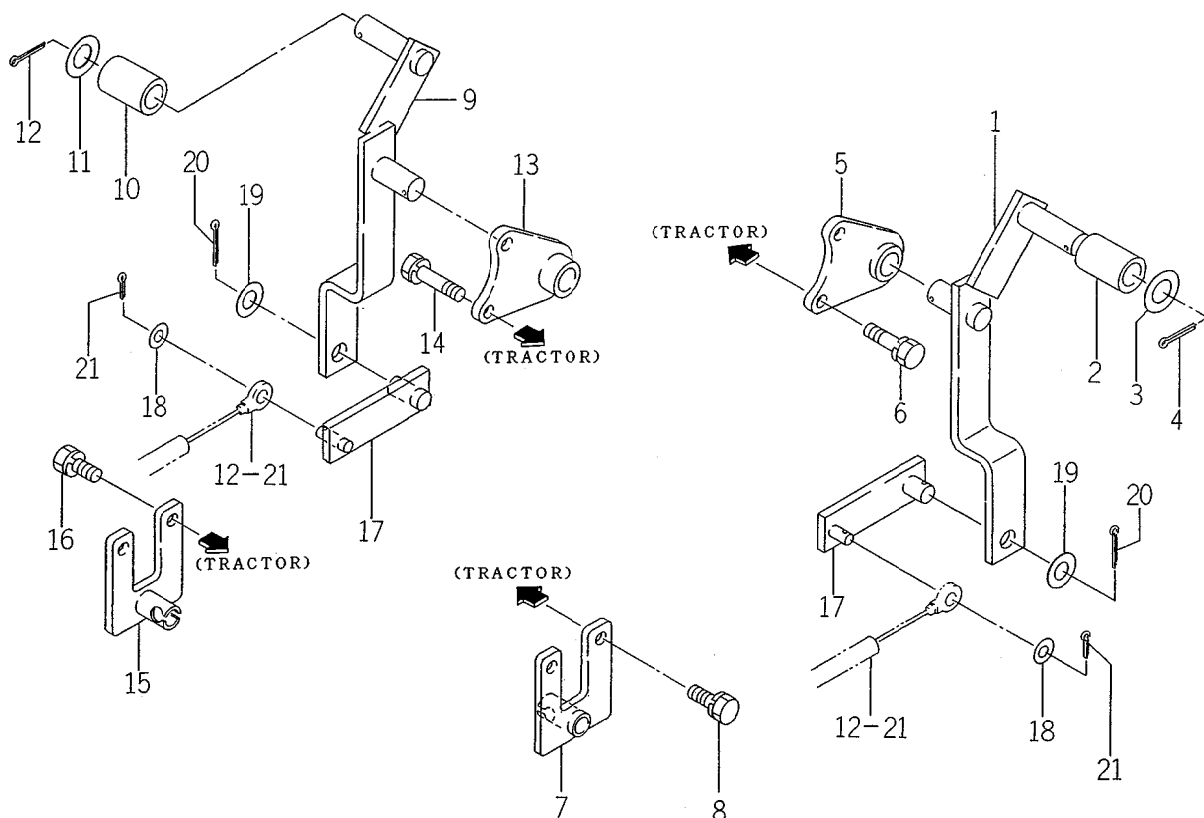
FIG. 12 LINK (MAIN) SYSTEM (U TYPE)



8595-603

KEY	PART CODE	DESCRIPTION	QTY	TYPE OF MODEL		I T C	C O L	G R P	REMARKS
				SSM48					
1	8595 - 603 - 330 - 00	LINK,LIFT COMP	1	*					
2	8595 - 603 - 002 - 00	PIN/15X75	2	*					
3	V303 - 200 - 010 - 00	NUT/M10	2	*					
4	V401 - 160 - 010 - 00	WASHER,SP/M10	2	*					
5	8595 - 603 - 340 - 00	PLATE,HOLDER/LH COMP	1	*					
6	V201 - 261 - 203 - 00	BOLT/M12X30	4	*					
7	V401 - 160 - 012 - 00	WASHER,SP/M12	4	*					
8	8595 - 603 - 350 - 00	PLATE,HOLDER/RH COMP	1	*					
9	V201 - 261 - 203 - 00	BOLT/M12X30	4	*					
10	V401 - 160 - 012 - 00	WASHER,SP/M12	4	*					
11	8595 - 604 - 210 - 10	LINK,LIFT COMP	1	1- -200000 200001-					
11A	8595 - 604 - 210 - 20	LINK,LIFT COMP	1						
12	8595 - 604 - 001 - 00	PIN/15X49	2	*					
13	V411 - 260 - 010 - 00	WASHER/M10	2	*					
14	V401 - 160 - 010 - 00	WASHER,SP/M10	2	*					
15	8595 - 604 - 220 - 00	BRACKET,CABLE/LH	1	*					
16	V201 - 261 - 204 - 50	BOLT/M12X45	4	*					
17	V401 - 160 - 012 - 00	WASHER,SP/M12	4	*					
18	8595 - 604 - 230 - 00	BRACKET,CABLE/RH	1	*					
19	V201 - 261 - 204 - 50	BOLT/M12X45	4	*					
20	V401 - 160 - 012 - 00	WASHER,SP/M12	4	*					
21	8595 - 607 - 210 - 10	CABLE,LIFT COMP	2	*					

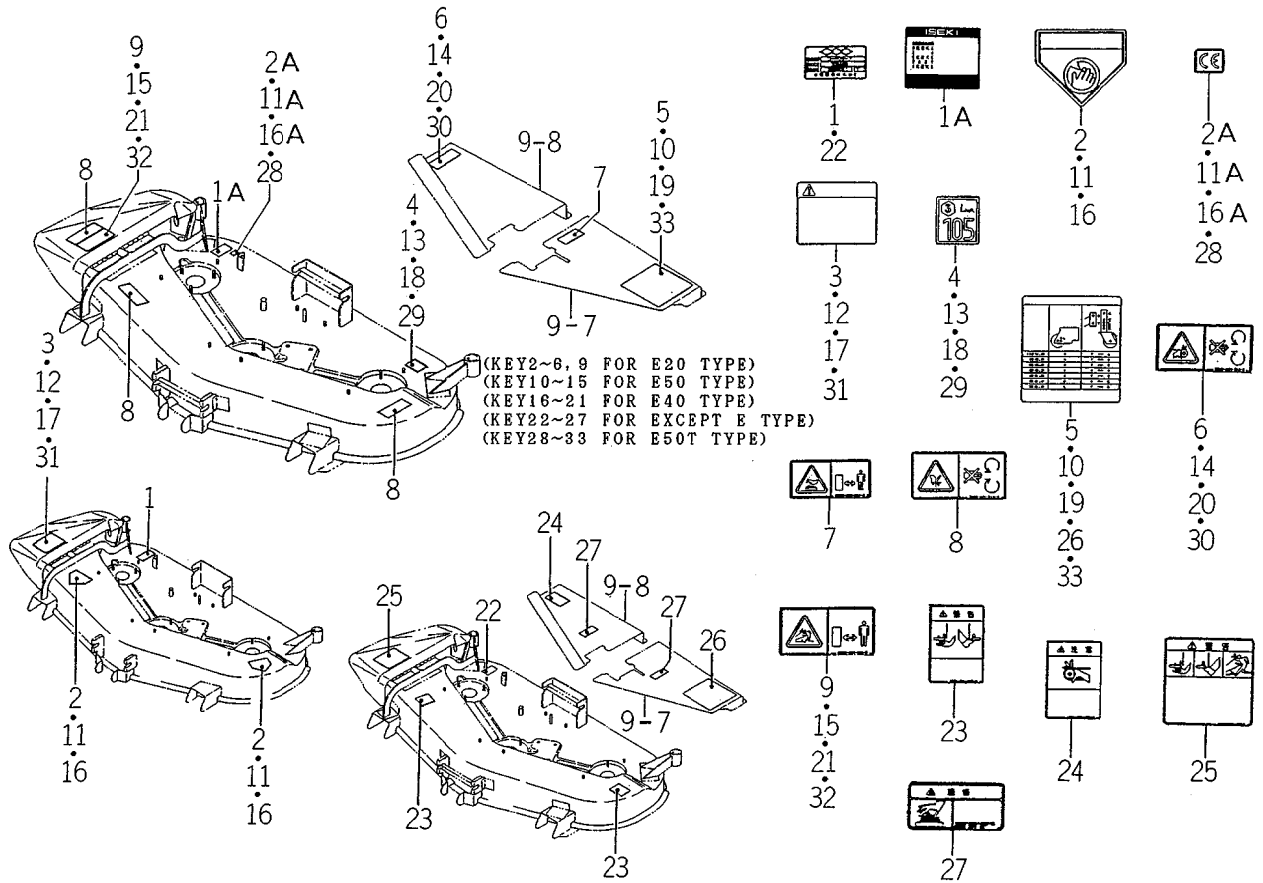
FIG. 14 LINK (REAR) SYSTEM (U18 TYPE)



8595-606

KEY	PART CODE	DESCRIPTION	QTY	TYPE OF MODEL		I T C	C O L	G R P	REMARKS
				SSM48					
1	8595 - 606 - 230 - 10	CRANK,LIFT/LH COMP	1	*					
2	8595 - 605 - 001 - 00	HUB/20X30X50	1	*					
3	V411 - 260 - 020 - 00	WASHER/M20	2	*					
4	V500 - 163 - 004 - 00	PIN,SPLIT/3 X40	2	*					
5	8595 - 606 - 250 - 00	PLATE,BOSS/LH COMP	1	*					
6	V211 - 261 - 004 - 50	BOLT,S/M10X45	2	*					
7	8595 - 606 - 210 - 10	HOLDER,CABLE/LH COMP	1	*					
8	V211 - 261 - 003 - 00	BOLT,S/M10X30	2	*					
9	8595 - 606 - 240 - 10	CRANK,LIFT/RH COMP	1	*					
10	8595 - 605 - 001 - 00	HUB/20X30X50	1	*					
11	V411 - 260 - 020 - 00	WASHER/M20	2	*					
12	V500 - 163 - 004 - 00	PIN,SPLIT/3 X40	2	*					
13	8595 - 606 - 250 - 00	PLATE,BOSS/LH COMP	1	*					
14	V211 - 261 - 004 - 50	BOLT,S/M10X45	2	*					
15	8595 - 606 - 220 - 10	HOLDER,CABLE/RH COMP	1	*					
16	V211 - 261 - 003 - 00	BOLT,S/M10X30	2	*					
17	8595 - 605 - 240 - 00	JOINT,CABLE COMP	2	*					
18	V411 - 260 - 008 - 00	WASHER,PL/M 8	2	*					
19	V411 - 260 - 016 - 00	WASHER / M16	2	*					
20	V500 - 163 - 004 - 00	PIN,SPLIT/3 X40	2	*					
21	V500 - 163 - 001 - 50	PIN,SPLIT/3 X15	2	*					

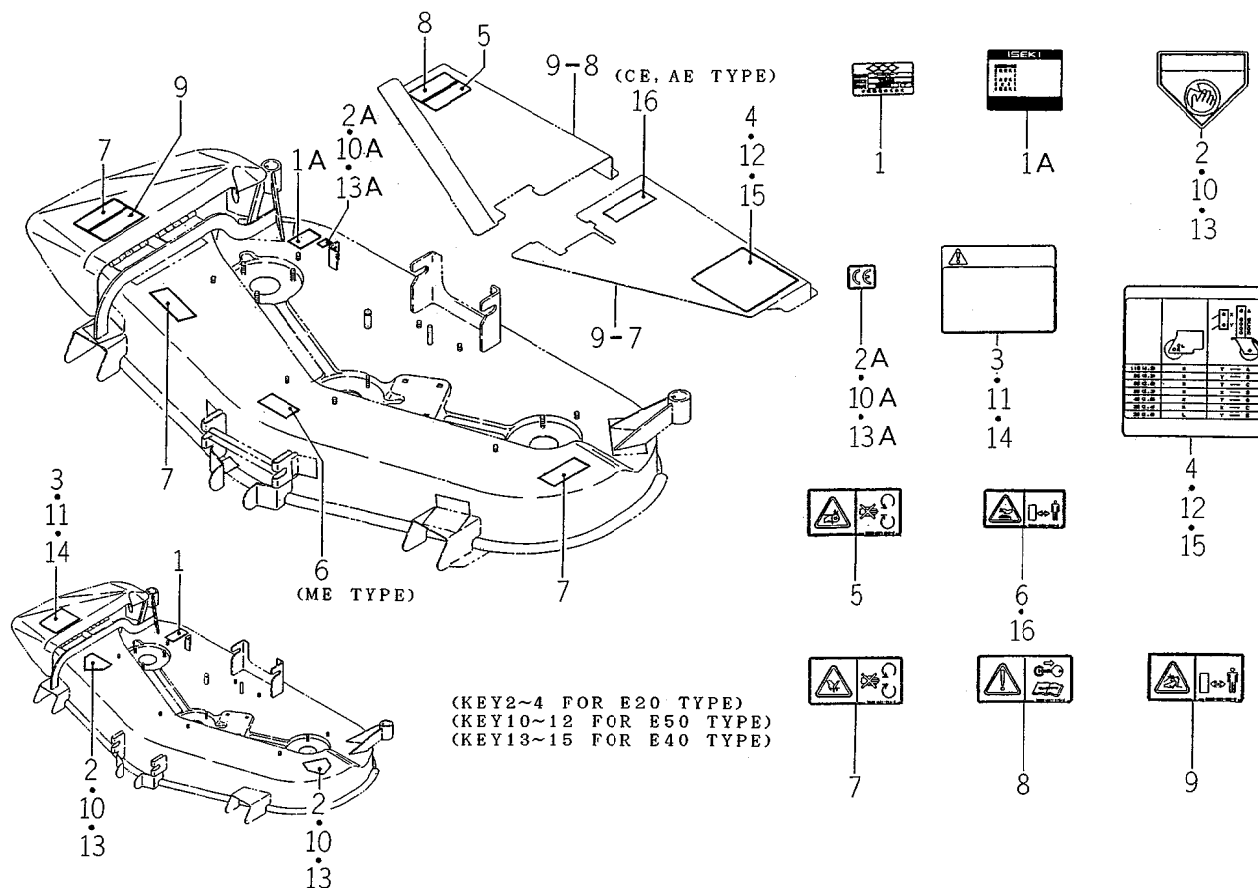
FIG. 16 LABEL (EXCEPT U TYPE)



8595-901

KEY	PART CODE	DESCRIPTION	QTY	TYPE OF MODEL			REMARKS
				SSM48	I T C	C O L	
1	8595 - 901 - 001 - 20	LABEL,MODEL/SSM48	1	1- -100000 100001-			
1A		LABEL,MODEL ASSY	1	100001-			
2	8595 - 901 - 002 - 00	LABEL,DANGER/D	2	1- -100000 100001-			
2A	2500 - 901 - 027 - 00	LABEL,CE	1	100001-			
3	8595 - 901 - 003 - 00	LABEL,DISCHARGE/D	1	1- -100000 100001-			
4	8654 - 901 - 001 - 00	LABEL,NOISE/LWA/105	1	100001-			
5	8595 - 901 - 004 - 10	LABEL,GAUGE WHEEL/D	1	*			
6	8595 - 901 - 006 - 00	LABEL,WARNING/BELT	1	200001-			
7	8595 - 901 - 007 - 00	LABEL,WARNING/HOT	1	200001-			
8	2500 - 901 - 014 - 30	LABEL,DANGER	3	200001-			
9	8595 - 901 - 005 - 00	LABEL,COUTION/DAYCHA	1	200001-			
10	8595 - 902 - 003 - 20	LABEL,GAUGE WHEEL/F	1	*			
11	8595 - 902 - 001 - 10	LABEL,DANGER/F	2	1- -100000 100001-			
11A	2500 - 901 - 027 - 00	LABEL/CE	1	100001-			
12	8595 - 902 - 002 - 00	LABEL,DISCHARGE/F	1	1- -100000 100001-			
13	8654 - 901 - 001 - 00	LABEL,NOISELWA/105	1	100001-			
14	8595 - 901 - 006 - 00	LABEL,WARNING/BELT	1	200001-			
15	8595 - 901 - 005 - 00	LABEL,COUTION/DAYCHA	1	200001-			
16	8595 - 903 - 001 - 00	LABEL	2	1- -100000 100001-			
16A	2500 - 901 - 027 - 00	LABEL/CE	1	100001-			
17	8595 - 903 - 002 - 00	LABEL	1	1- -100000 100001-			
18	8654 - 901 - 001 - 00	LABEL,NOISE/LWA/105	1	100001-			
19	8595 - 903 - 003 - 00	LABEL,WHEEL GAUGE/E	1	*			
20	8595 - 901 - 006 - 00	LABEL,WARNING/BELT	1	200001-			
21	8595 - 901 - 005 - 00	LABEL,COUTION/DAYCHA	1	200001-			

FIG. 17 LABEL (U TYPE)



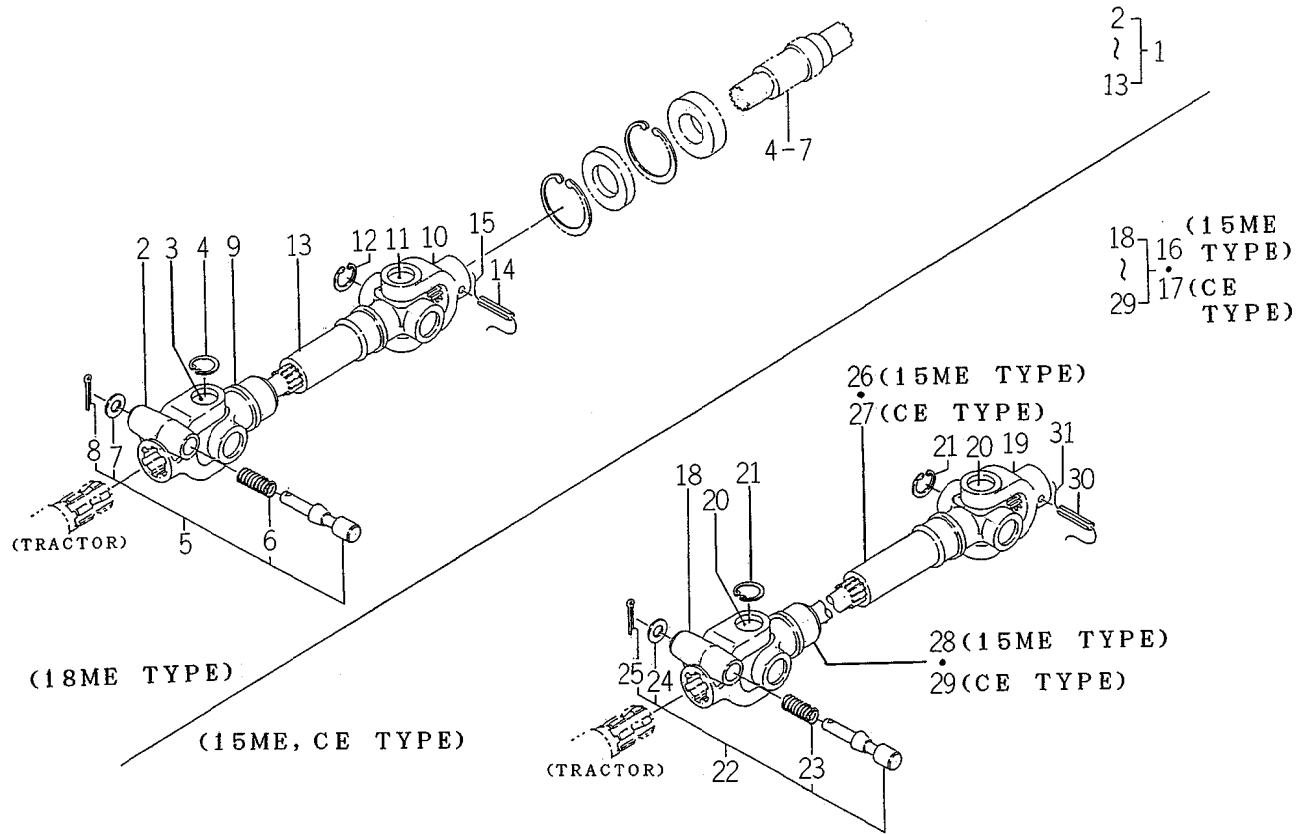
8595-905

KEY	PART CODE	DESCRIPTION	QTY	TYPE OF MODEL		I T C	C O L	G R P	REMARKS
				SSM48					
1	8595 - 905 - 001 - 00	LABEL,MODEL/SSM48	1	1-					
1A		LABEL,MODEL ASSY	1	100001-					
2	8595 - 901 - 002 - 00	LABEL,DANGER/D	2	1-					
2A	2500 - 901 - 027 - 00	LABEL/CE	1	100001-					
3	8595 - 901 - 003 - 00	LABEL,DISCHARGE/D	1	1-					
4	8595 - 901 - 004 - 10	LABEL,GAUGE WHEEL/D	1	*					
5	8595 - 901 - 006 - 00	LABEL,WARNING/BELT	1	200001-					
6	8595 - 901 - 007 - 00	LABEL,WARNING/HOT	1	200001-					
7	2500 - 901 - 014 - 30	LABEL,DAINGER	3	200001-					
8	1593 - 901 - 015 - 00	LABEL,MAINTENANCE	1	100001-					
9	8595 - 901 - 005 - 00	LABEL,COUTION/DAYCHA	1	200001-					
10	8595 - 902 - 001 - 10	LABEL,DANGER/F	2	1-					
10A	2500 - 901 - 027 - 00	LABEL/CE	1	100001-					
11	8595 - 902 - 002 - 00	LABEL,DISCHARGE/F	1	1-					
12	8595 - 902 - 003 - 20	LABEL,GAUGE WHEEL/F	1	*					
13	8595 - 903 - 001 - 00	LABEL	2	1-					
13A	2500 - 901 - 027 - 00	LABEL/CE	1	100001-					
14	8595 - 903 - 002 - 00	LABEL	1	1-					
15	8595 - 903 - 003 - 00	LABEL,WHEEL GAUGE/E	1	*					
16	8595 - 901 - 007 - 00	LABEL,WARNING/HOT	1	200001-					

SRM48

IMPLEMENT MODEL	APPLICABLE MODEL	LANGUAGE
48E20	SG13, SG15H	GERMAN
48E201	SG17H	"
48E40	SG13, SG15H	ENGLISH
48E401	SG17H	"
48E50	SG13, SG15H	FRENCH
48E501	SG17H	"
48	SG13, SG15	JAPANESE
4801		"
48U15CE00	For the customer of TU315F with front P.T.O. type C and front 3P linkage.	
48U15ME00	For the customer of TU315F with mid P.T.O. and front 3P linkage.	
48U18CE00	For the customer of TU318F with front P.T.O. type C and front 3P linkage.	
48U18ME00	For the customer of TU318F with mid P.T.O. and front 3P linkage.	

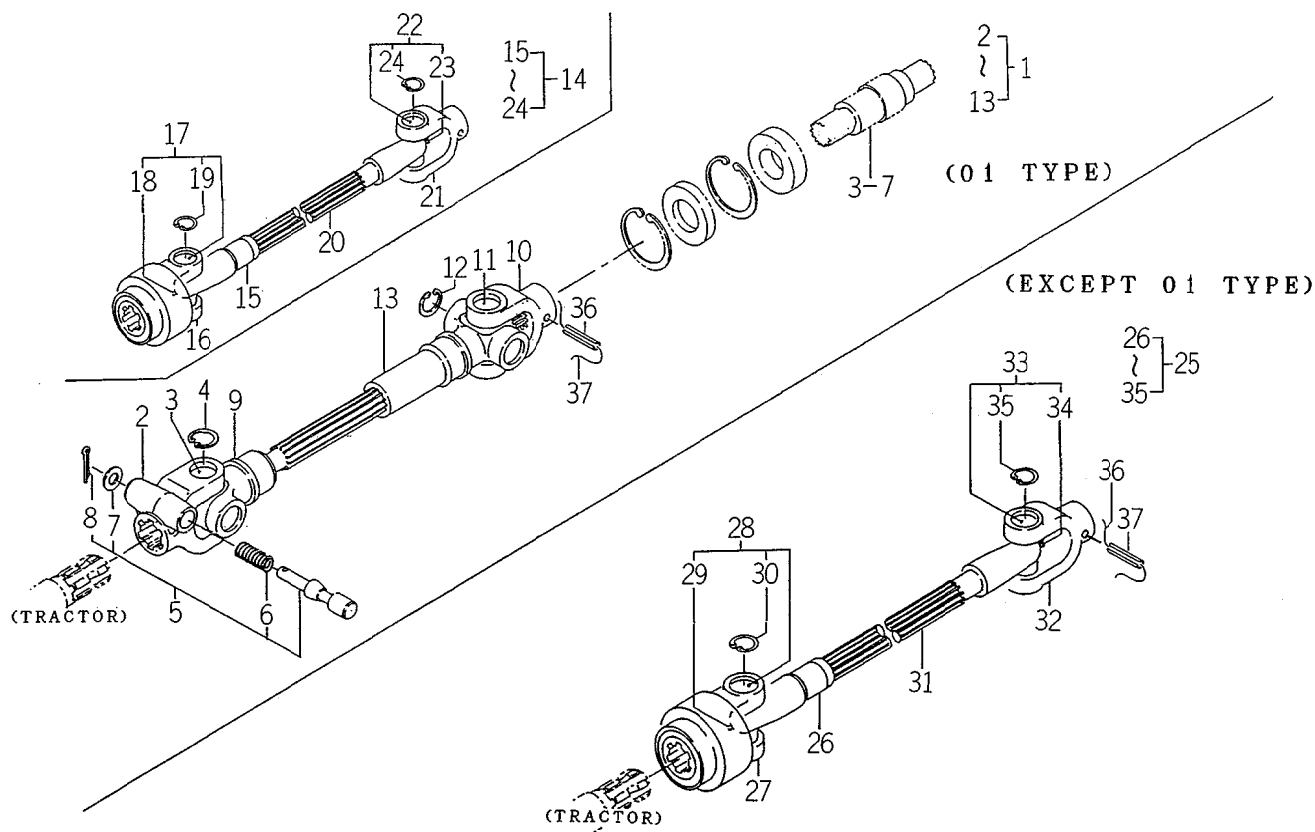
FIG. 1 JOINT (UNIVERSAL) SYSTEM (U TYPE)



8595-101

KEY	PART CODE	DESCRIPTION	QTY	TYPE OF MODEL		I T C	C O L	G R P	REMARKS
				SRM48					
1	8595 - 101 - 210 - 30	JOINT,UNIVERSAL SET	1	*					
2	8592 - 011 - 201 - 00	YOKE,SPLINE/A	1	*					
3	8592 - 011 - 204 - 00	JOURNAL KIT	1	*					
4	V705 - 140 - 020 - 00	RING,SNAP C/20	4	*					
5	7918 - 101 - 240 - 00	PIN/14X73	1	*					
6	7918 - 101 - 242 - 00	SPRING/HC12X38	1	*					
7	V411 - 260 - 008 - 00	WASHER/M8	1	*					
8	V500 - 162 - 501 - 50	PIN,SPLIT/2.5X15	1	*					
9	8595 - 101 - 212 - 00	YOKE,SLEEVE SHAFT	1	*					
10	1427 - 431 - 011 - 00	YOKE,SPLINE B	1	*					
11	8592 - 011 - 204 - 00	JOURNAL KIT	1	*					
12	V705 - 140 - 020 - 00	RING,SNAP C/20	4	*					
13	8595 - 101 - 211 - 00	YOKE,SLEEVE	1	*					
14	V580 - 140 - 603 - 20	PIN,SPRING W/6X32	1	*					
15		WIRE/1X150	1	*					
16	8595 - 101 - 250 - 00	JOINT,UNIVERSAL ASSY	1	*					
17	8595 - 101 - 260 - 00	JOINT,UNIVERSAL ASSY	1	*					
18	8592 - 011 - 201 - 00	YOKE,SPLINE/A	1	*					
19	1427 - 431 - 011 - 00	YOKE,SPLINE B	1	*					
20	8592 - 011 - 204 - 00	JOURNAL KIT	2	*					
21	V705 - 140 - 020 - 00	RING,SNAP C/20	8	*					
22	7918 - 101 - 240 - 00	PIN/14X73	1	*					
23	7918 - 101 - 242 - 00	SPRING/HC12X38	1	*					
24	V411 - 260 - 008 - 00	WASHER/M8	1	*					
25	V500 - 162 - 501 - 50	PIN,SPLIT/2.5X15	1	*					

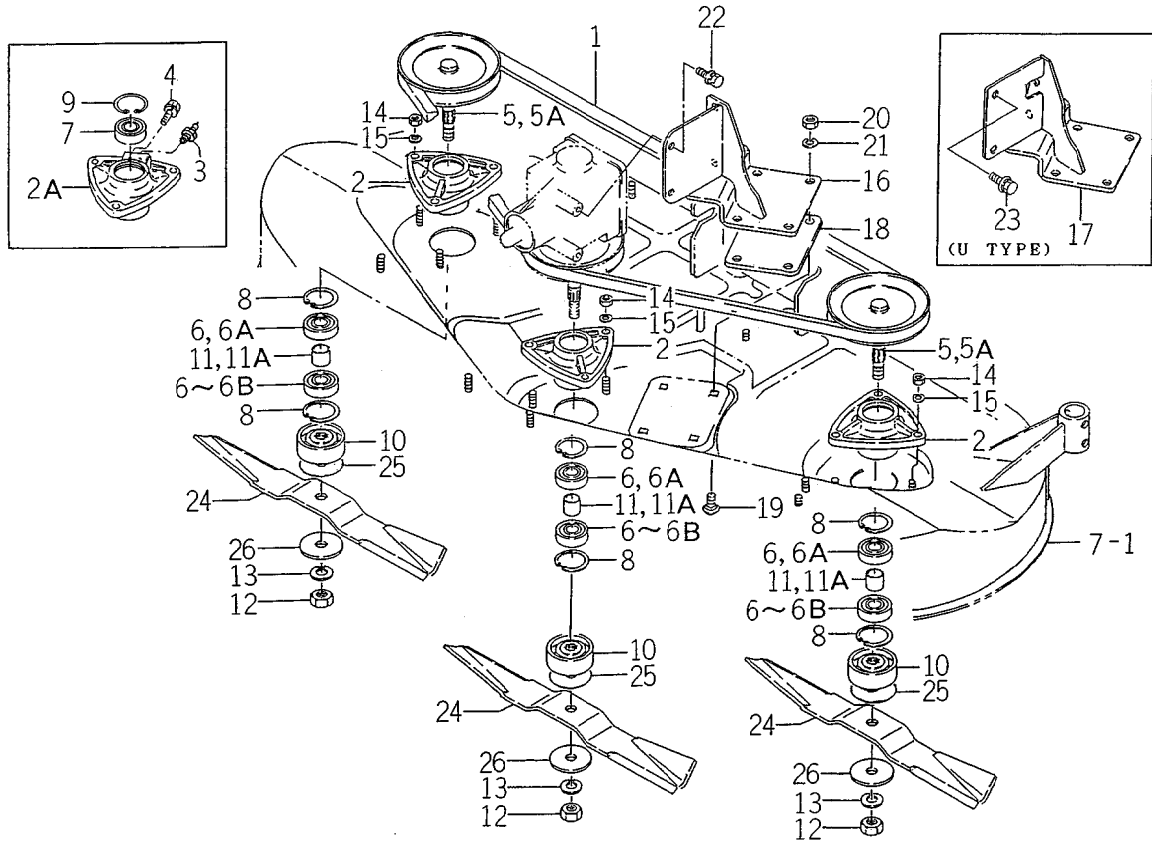
FIG. 2 JOINT (UNIVERSAL) SYSTEM (EXCEPT U TYPE)



8595-101C

KEY	PART CODE	DESCRIPTION	QTY	TYPE OF MODEL		I T C	C O L	G R P	REMARKS
				SRM48					
1	8595 - 101 - 300 - 00	JOINT,UNIVERSAL SET	1	1-					
2	8592 - 011 - 201 - 00	YOKE,SPLINE/A	1	1-					
3	8592 - 011 - 204 - 00	JOURNAL KIT	1	1-					
4	V705 - 140 - 020 - 00	RING,SNAP C/20	4	1-					
5	7918 - 101 - 240 - 00	PIN/14X73	1	1-					
6	7918 - 101 - 242 - 00	SPRING/HC12X38	1	1-					
7	V411 - 260 - 008 - 00	WASHER/M8	1	1-					
8	V500 - 162 - 501 - 50	PIN,SPLIT/2.5X15	1	1-					
9	8595 - 101 - 311 - 00	YOKE,SLEEVE SHAFT	1	1-					
10	1427 - 431 - 011 - 00	YOKE,SPLINE B	1	1-					
11	8592 - 011 - 204 - 00	JOURNAL KIT	1	1-					
12	V705 - 140 - 020 - 00	RING,SNAP C/20	4	1-					
13	8595 - 101 - 211 - 00	YOKE,SLEEVE	1	1-					
14	8595 - 101 - 450 - 00	JOINT,UNIVERSAL SET	1	200001-					
15	8595 - 101 - 461 - 00	YOKE,SPLINE	1	200001-					
16	8595 - 101 - 412 - 00	YOKE/AS ASSY	1	200001-					
17	8654 - 101 - 230 - 00	JOURNAL CROSS ASSY	1	200001-					
18	8654 - 101 - 232 - 00	NIPPLE,GREASE	1	200001-					
19	8654 - 101 - 233 - 00	CIRCLIP	4	200001-					
20	8595 - 101 - 471 - 00	YOKE SHAFT ASSY	1	200001-					
21	8595 - 101 - 422 - 00	YOKE FITING	1	200001-					
22	8654 - 101 - 230 - 00	JOURNAL CROSS ASSY	1	200001-					
23	8654 - 101 - 232 - 00	NIPPLE,GREASE	1	200001-					
24	8654 - 101 - 233 - 00	CIRCLIP	4	200001-					
25	8595 - 101 - 400 - 00	JOINT,UNIVERSAL SET	1	*					

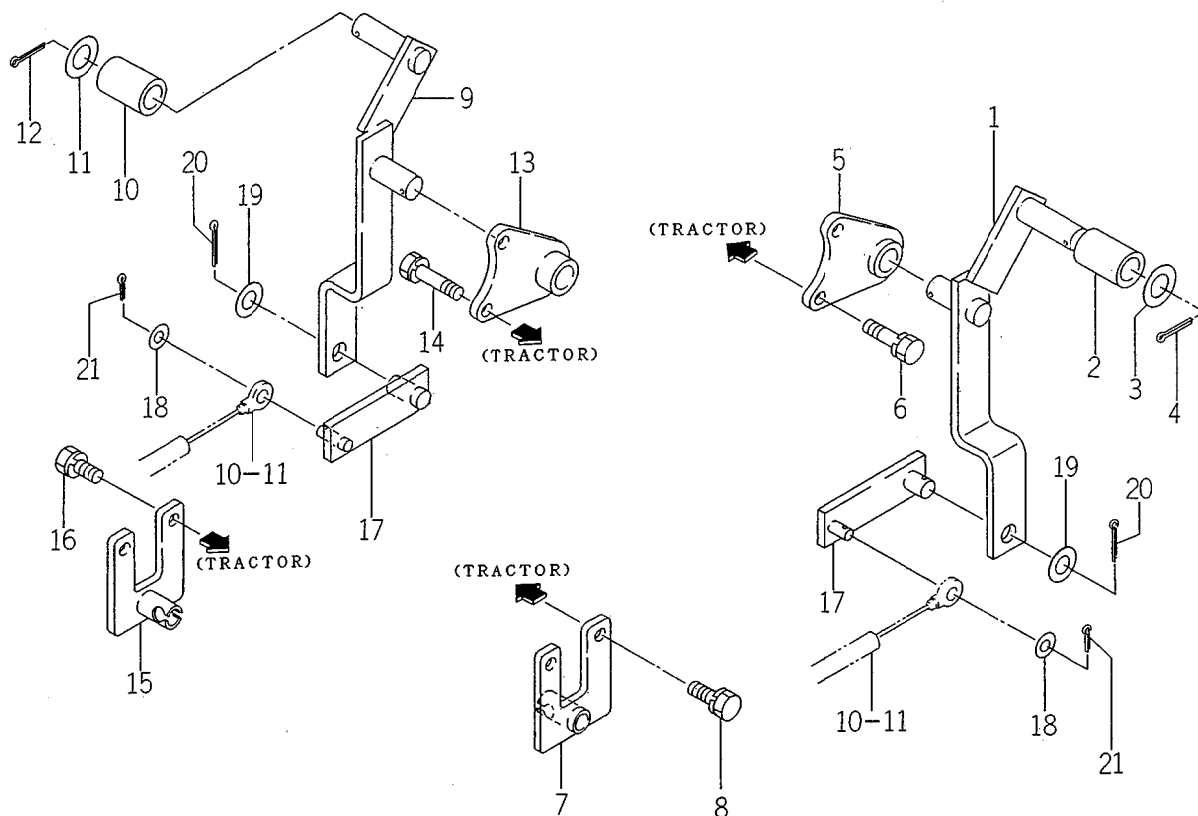
FIG. 6 METAL AND BLADE SYSTEM



8595-203A

KEY	PART CODE	DESCRIPTION	QTY	TYPE OF MODEL		I T C	C O L	G R P	REMARKS
				SRM48					
1	8595 - 203 - 002 - 20	BELT,V/B091	1	*					
2	8595 - 301 - 001 - 70	METAL	3	1- 128					
2A	8595 - 301 - 013 - 00	METAL	3	129-					
3	V760 - 150 - 000 - 00	NIPPLE,GREASE	3	129-					
4	V210 - 260 - 601 - 20	BOLT,S/M6X12	3	129-					
5	8595 - 301 - 500 - 50	PULLEY/VB120	2	1- 128					
5A	8595 - 301 - 520 - 00	PULLEY/VB120	2	129-					
6	8595 - 301 - 008 - 00	BEARING,BALL	6	1- 71					
6A	8595 - 301 - 008 - 10	BEARING,BALL	6	72- 128					
6B	8595 - 301 - 011 - 00	BEARING,BALL	3	129-					
7	8595 - 301 - 009 - 00	BEARING,BALL	3	129-					
8	V705 - 140 - 040 - 00	RING,SNAP C/40	3	*					
9	V705 - 140 - 047 - 00	RING,SNAP C/47	3	*					
10	8595 - 301 - 005 - 30	HUB,BLADE	3	*					
11	8595 - 301 - 004 - 30	HUB/18X22X20	3	1- 128					
11A	8595 - 301 - 012 - 00	HUB/17X25X18	3	129-					
12	V304 - 460 - 014 - 00	NUT/M14	3	*					
13	V401 - 160 - 014 - 00	WASHER,SP/M14	3	*					
14	V304 - 260 - 008 - 00	NUT/M8	9	*					
15	V401 - 160 - 008 - 00	WASHER,SP/M8	9	*					
16	8595 - 301 - 510 - 40	BRACKT,CASE COMP	1	*					
17	8595 - 301 - 610 - 00	BRACKET,CASE COMP	1	*					
18	8597 - 301 - 001 - 00	PLATE	1	*					
19	8597 - 301 - 002 - 00	BOLT	4	*					
20	V304 - 260 - 010 - 00	NUT/M10	4	*					

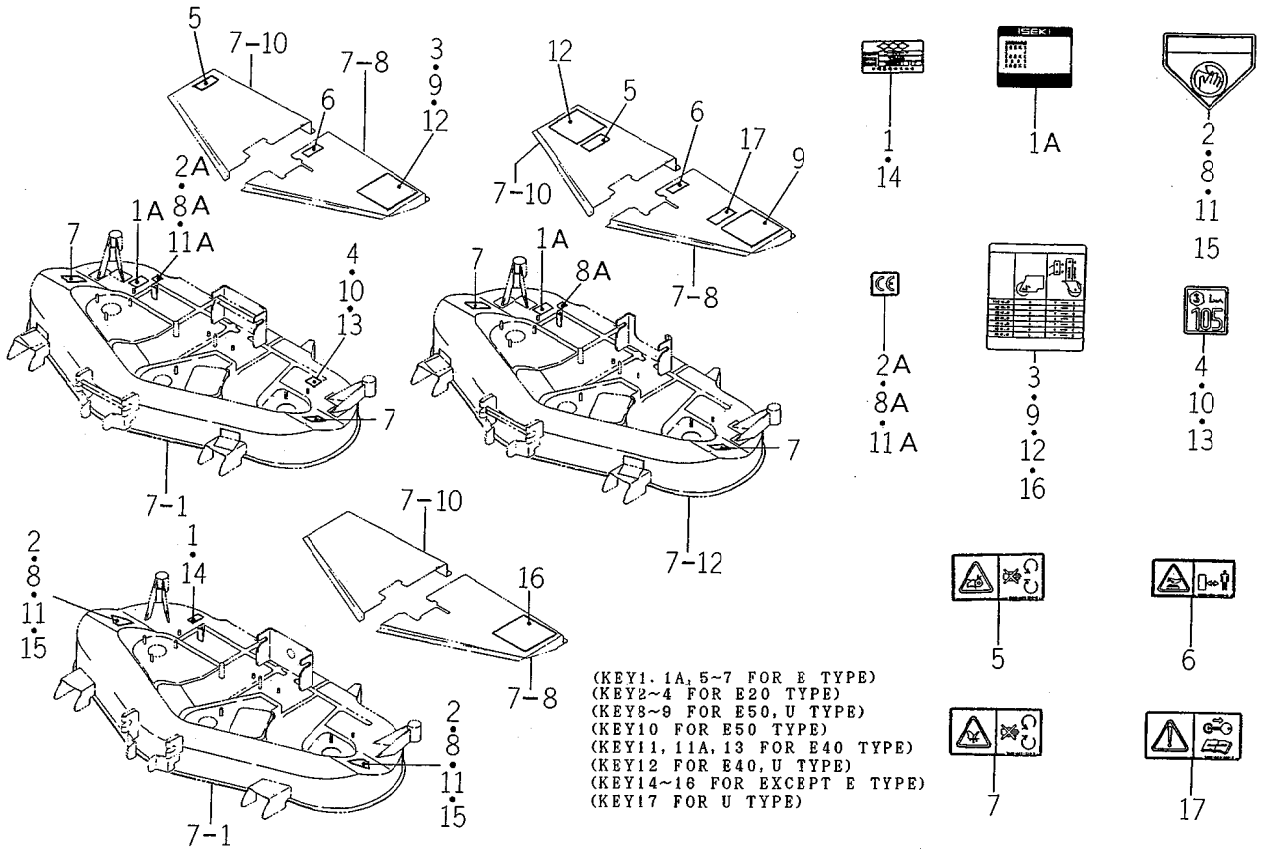
FIG. 12 LINK (REAR) SYSTEM (U18 TYPE)



8595-606

KEY	PART CODE	DESCRIPTION	QTY	TYPE OF MODEL		I T C	C O L	G R P	REMARKS
				SRM48					
1	8595 - 606 - 230 - 10	CRANK,LIFT/LH COMP	1	*					
2	8595 - 605 - 001 - 00	HUB/20X30X50	1	*					
3	V411 - 260 - 020 - 00	WASHER/M20	2	*					
4	V500 - 163 - 004 - 00	PIN,SPLIT/3 X40	2	*					
5	8595 - 606 - 250 - 00	PLATE,BOSS/LH COMP	1	*					
6	V211 - 261 - 004 - 50	BOLT,S/M10X45	2	*					
7	8595 - 606 - 210 - 10	HOLDER,CABLE/LH COMP	1	*					
8	V211 - 261 - 003 - 00	BOLT,S/M10X30	2	*					
9	8595 - 606 - 240 - 10	CRANK,LIFT/RH COMP	1	*					
10	8595 - 605 - 001 - 00	HUB/20X30X50	1	*					
11	V411 - 260 - 020 - 00	WASHER/M20	2	*					
12	V500 - 163 - 004 - 00	PIN,SPLIT/3 X40	2	*					
13	8595 - 606 - 250 - 00	PLATE,BOSS/LH COMP	1	*					
14	V211 - 261 - 004 - 50	BOLT,S/M10X45	2	*					
15	8595 - 606 - 220 - 10	HOLDER,CABLE/RH COMP	1	*					
16	V211 - 261 - 003 - 00	BOLT,S/M10X30	2	*					
17	8595 - 605 - 240 - 00	JOINT,CABLE COMP	2	*					
18	V411 - 260 - 008 - 00	WASHER/M8	2	*					
19	V411 - 260 - 016 - 00	WASHER/M16	2	*					
20	V500 - 163 - 004 - 00	PIN,SPLIT/3 X40	2	*					
21	V500 - 163 - 001 - 50	PIN,SPLIT/3 X15	2	*					

FIG. 13 LABEL



8597-901

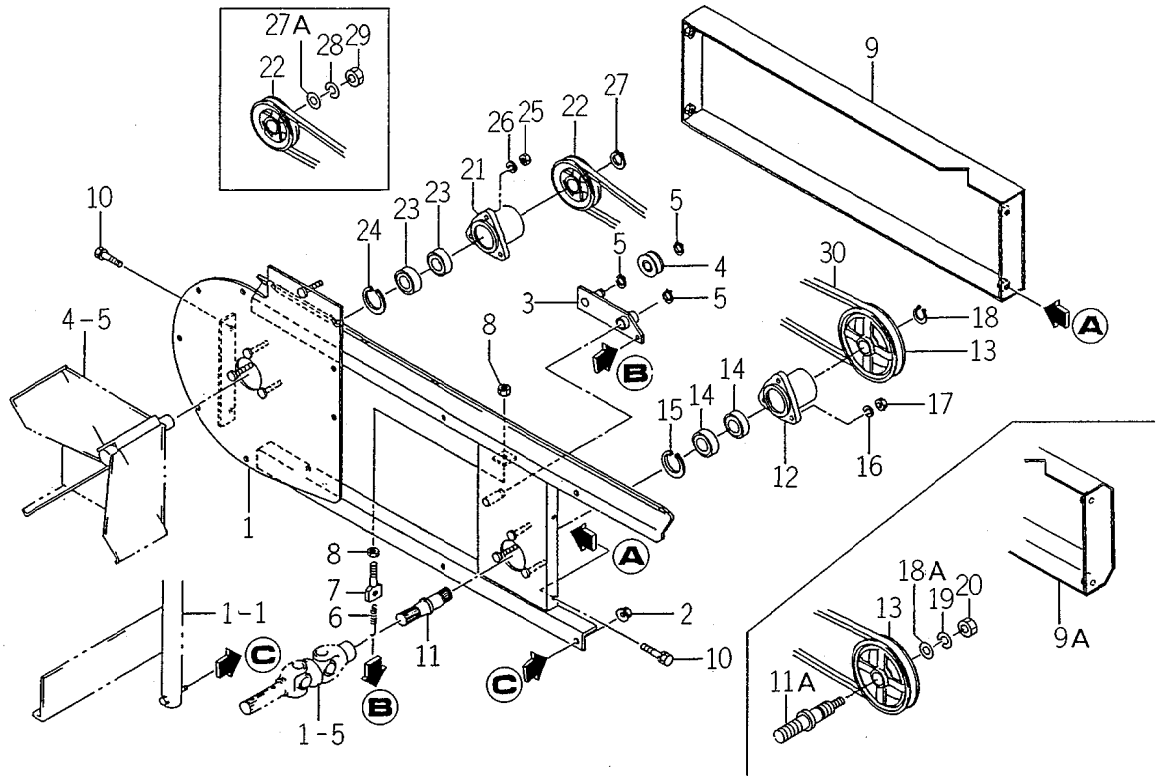
KEY	PART CODE	DESCRIPTION	QTY	TYPE OF MODEL		I T C	C O L	G R P	REMARKS
				SRM48					
1	8597 - 903 - 001 - 10	LABEL,MODEL/SRM48	1	1-					
1A		LABEL,MODEL ASSY	1	-200000	200001-				
2	8595 - 901 - 002 - 00	LABEL,DANGER/D	2	1-					
2A	2500 - 901 - 027 - 00	LABEL/CE	1	-200000	200001-				
3	8595 - 901 - 004 - 10	LABEL,GAUGE WHEEL/D	1	*					
4	8654 - 901 - 001 - 00	LABEL,NOISE/LWA/105	1	200001-					
5	8595 - 901 - 006 - 00	LABEL,WARNING/BELT	1	200001-					
6	8595 - 901 - 007 - 00	LABEL,WARNING/HOT	1	200001-					
7	2500 - 901 - 014 - 30	LABEL,DANGER	2	200001-					
8	8595 - 902 - 001 - 10	LABEL,DANGER/F	2	1-					
8A	2500 - 901 - 027 - 00	LABEL/CE	1	-200000	200001-				
9	8595 - 902 - 003 - 20	LABEL,GAUGE WHEEL/F	1	*					
10	8654 - 901 - 001 - 00	LABEL,NOISE/LWA/105	1	200001-					
11	8595 - 903 - 001 - 00	LABEL	2	1-					
11A	2500 - 901 - 027 - 00	LABEL/CE	1	-200000	200001-				
12	8595 - 903 - 003 - 00	LABEL,WHEEL GAUGE/E	1	*					
13	8654 - 901 - 001 - 00	LABEL,NOISE/LWA/105	1	200001-					
14	8597 - 904 - 001 - 00	LABEL,MODEL/SRM48	1	1--					
15	8595 - 904 - 002 - 00	LABEL,DANGER	2	200000					
16	8595 - 904 - 004 - 00	LABEL,GAUGE WHEEL	1	1--					
17	1593 - 901 - 015 - 00	LABEL,MAINTENANCE	1	200001-					

SBC350

IMPLEMENT MODEL	APPLICABLE MODEL	LANGUAGE
350E01	SG15H, SG17H	4 - LANGUAGES
350E02	SG13	"
350E03		"
350E201	SG15H, SG17H	GERMAN
350E202	SG13	"
350E401	SG15H, SG17H	ENGLISH
350E402	SG13	"
350E50	SG13, SG15H, SG17H	FRENCH
350E501	SG15H, SG17H	"
350E502	SG13	"
350E501T	SG15H, SG17H	ITALIAN
350E502T	SG13	"
350JE01	SG15H, SG17H	4 - LANGUAGES
350JE02	SG13	"
350	SG13, SG15H	JAPANESE
350-1	SG15H	"

SBC350

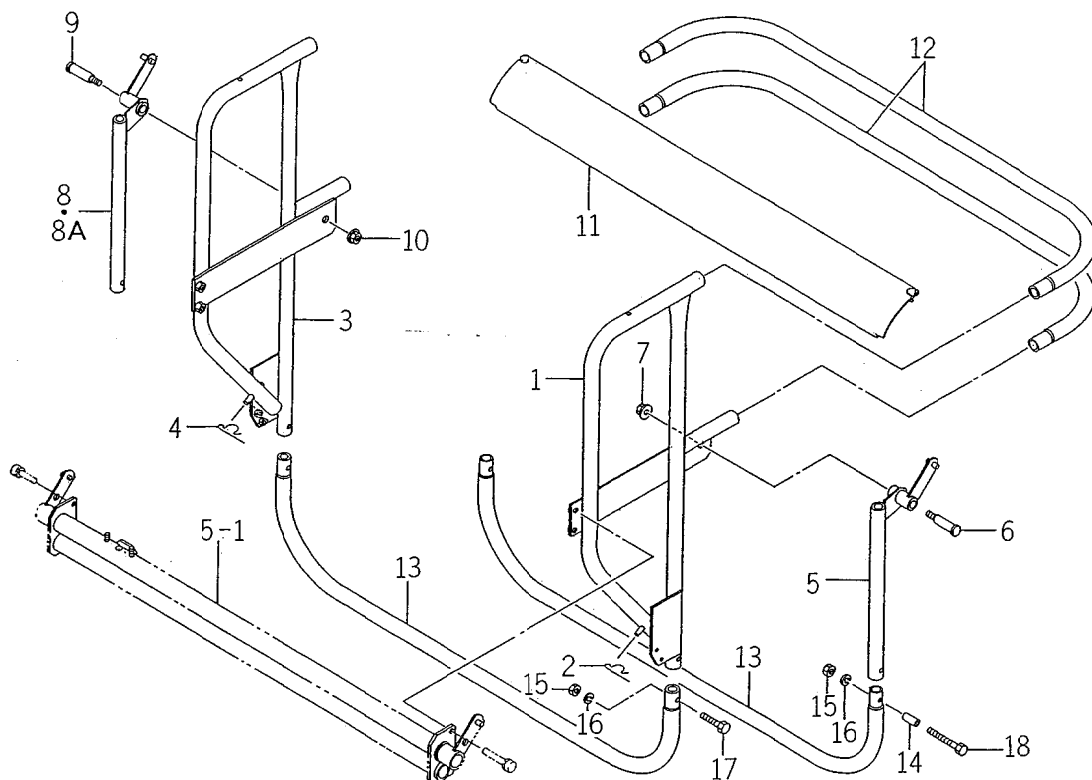
FIG. 3 FRAME (BLOWER) SYSTEM



8596-112

KEY	PART CODE	DESCRIPTION	QTY	TYPE OF MODEL		I T C	C O L	G R P	REMARKS
				SBC350					
1	8596 - 112 - 200 - 40	FRAME,BLOWER	1	*					
2	V363 - 260 - 008 - 00	NUT,LOCK/M8	4	*					
3	8596 - 112 - 210 - 20	ARM,TENSION	1	*					
4	3737 - 313 - 005 - 00	PULLEY,TENSION/45AS	1	*					
5	V704 - 140 - 015 - 00	RING,SNAP/15 C	3	*					
6	1374 - 401 - 001 - 00	SPRING,CLUTCH	1	*					
7	3737 - 233 - 006 - 00	ROD,CHAIN TENSION	1	*					
8	V304 - 260 - 008 - 00	NUT/M8	2	*					
9	8596 - 112 - 220 - 40	COVER,BELT	1	*			1		
9A	8596 - 112 - 220 - 50	COVER,BELT COMP	1	*			1		
10	V211 - 260 - 801 - 60	BOLT,S/M8X16	4	*					
11	8596 - 112 - 001 - 30	SHAFT,INPUT	1	*			1		
11A	8596 - 112 - 001 - 40	SHAFT,INPUT	1	*			3		
12	8596 - 112 - 002 - 20	METAL,PULLEY	1	*					
13	8596 - 112 - 003 - 20	PULLEY,140/PTO	1	*					
14	V600 - 150 - 620 - 50	BEARING,RB/6205SS	2	*					
15	V705 - 140 - 052 - 00	RING,SNAP/52 C	1	*					
16	V401 - 160 - 008 - 00	WASHER,SP/M 8	3	*					
17	V304 - 260 - 008 - 00	NUT/M8	3	*					
18	V704 - 140 - 025 - 00	RING,SNAP/25 C	1	*			3		
18A	3621 - 702 - 003 - 00	WASHER	1	*			3		
19	V401 - 160 - 012 - 00	WASHER,SP/M12	1	*					
20	V304 - 260 - 012 - 00	NUT	1	*					
21	8596 - 112 - 002 - 20	METAL,PULLEY	1	*					
22	8596 - 112 - 005 - 20	PULLEY,97/FAN	1	*					

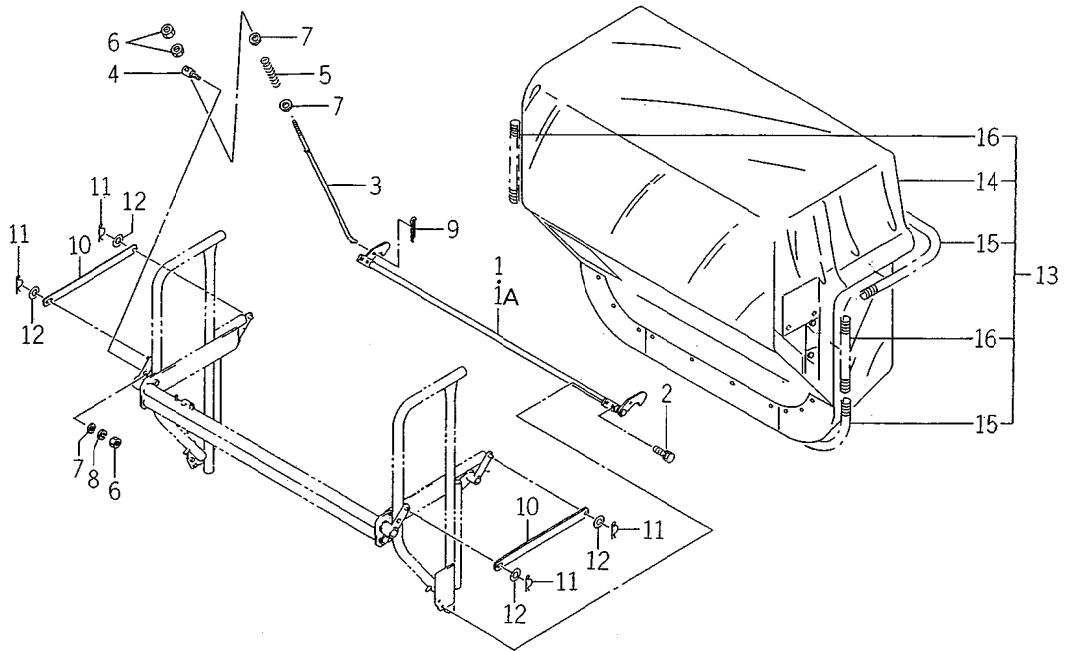
FIG. 6 COLLECTOR (SIDE) SYSTEM (EXCEPT J TYPE)



8596-212

KEY	PART CODE	DESCRIPTION	QTY	TYPE OF MODEL		I T C	C O L	G R P	REMARKS
				SBC350					
1	8596 - 212 - 200 - 40	COLLECTOR,SIDE/LH	1	*					
2	7957 - 501 - 004 - 00	PIN,HAIR	1	*					
3	8596 - 212 - 210 - 40	COLLECTOR,SIDE/RH	1	*					
4	7957 - 501 - 004 - 00	PIN,HAIR	1	*					
5	8596 - 212 - 220 - 40	FRAME,OPEN/LH COMP	1	*					
6	8596 - 212 - 003 - 20	PIN/15X51	1	*					
7	V363 - 260 - 010 - 00	NUT,LOCK/M10	1	*					
8	8596 - 212 - 230 - 30	FRAME,OPEN/RH COMP	1	*			1		
8A	8596 - 212 - 230 - 40	FRAME,OPEN/RH COMP	1	*			1		
9	8596 - 212 - 003 - 20	PIN/15X51	1	*					
10	V363 - 260 - 010 - 00	NUT,LOCK/M10	1	*					
11	8596 - 212 - 240 - 20	PLATE,UPPERCOLLECTOR	1	*					
12	8596 - 212 - 001 - 20	TUBE,INSERT/A	2	*					
13	8596 - 212 - 002 - 20	TUBE,INSERT/B	2	*					
14	8596 - 212 - 005 - 20	COLLAR/08X12X30	2	*					
15	V304 - 260 - 008 - 00	NUT/M8	4	*					
16	V401 - 160 - 008 - 00	WASHER,SP/M 8	4	*					
17	V201 - 260 - 804 - 00	BOLT/M 8X40	2	*					
18	V201 - 260 - 807 - 00	BOLT/M 8X70	2	*					

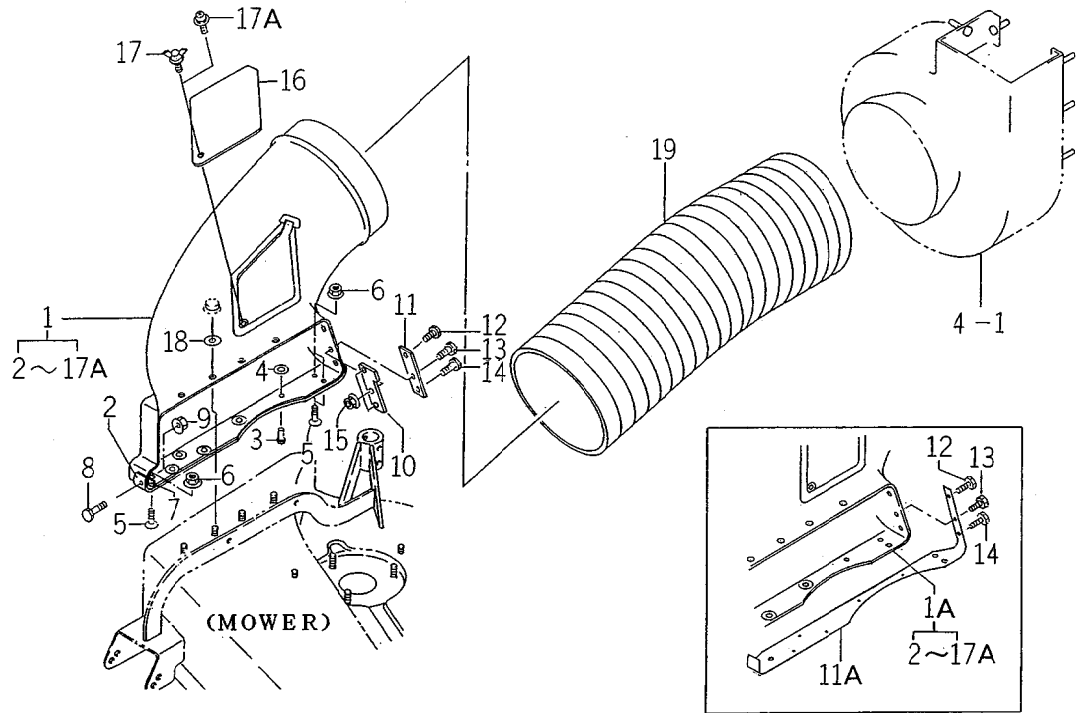
FIG. 7 LOCK SYSTEM (EXCEPT J TYPE)



8596-213

KEY	PART CODE	DESCRIPTION	QTY	TYPE OF MODEL		I T C	C O L	G R P	REMARKS
				SBC350					
1	8596 - 213 - 200 - 30	LOCK	1	*		1			
1A	8596 - 213 - 200 - 40	LOCK COMP	1	*		1			
2	4301 - 210 - 002 - 00	BOLT,S/N6X16	4	*					
3	8596 - 213 - 003 - 10	ROD,LOCK	1	*					
4	8596 - 213 - 002 - 10	PIN,JOINT	1	*					
5	1373 - 406 - 002 - 00	SPRING,PRESS/100	1	*					
6	V304 - 260 - 008 - 00	NUT/M8	3	*					
7	V411 - 260 - 008 - 00	WASHER,PL/M 8	3	*					
8	V401 - 160 - 008 - 00	WASHER,SP/M 8	1	*					
9	V500 - 162 - 502 - 00	PIN,SPLIT/2.5X20	1	*					
10	8596 - 213 - 001 - 30	PLATE	2	*					
11	1305 - 241 - 001 - 00	PIN,HAIR	4	*					
12	V411 - 260 - 010 - 00	WASHER/M10	4	*					
13	8596 - 214 - 220 - 00	BAG,COLLECTOR SET	1	*					
14	8596 - 214 - 200 - 20	BAG,COLLECTOR COMP	1	*					
15	8596 - 214 - 003 - 00	CORRUGATED/28X1375	2	*					
16	8596 - 214 - 004 - 00	CORRUGATED/28X310	2	*					

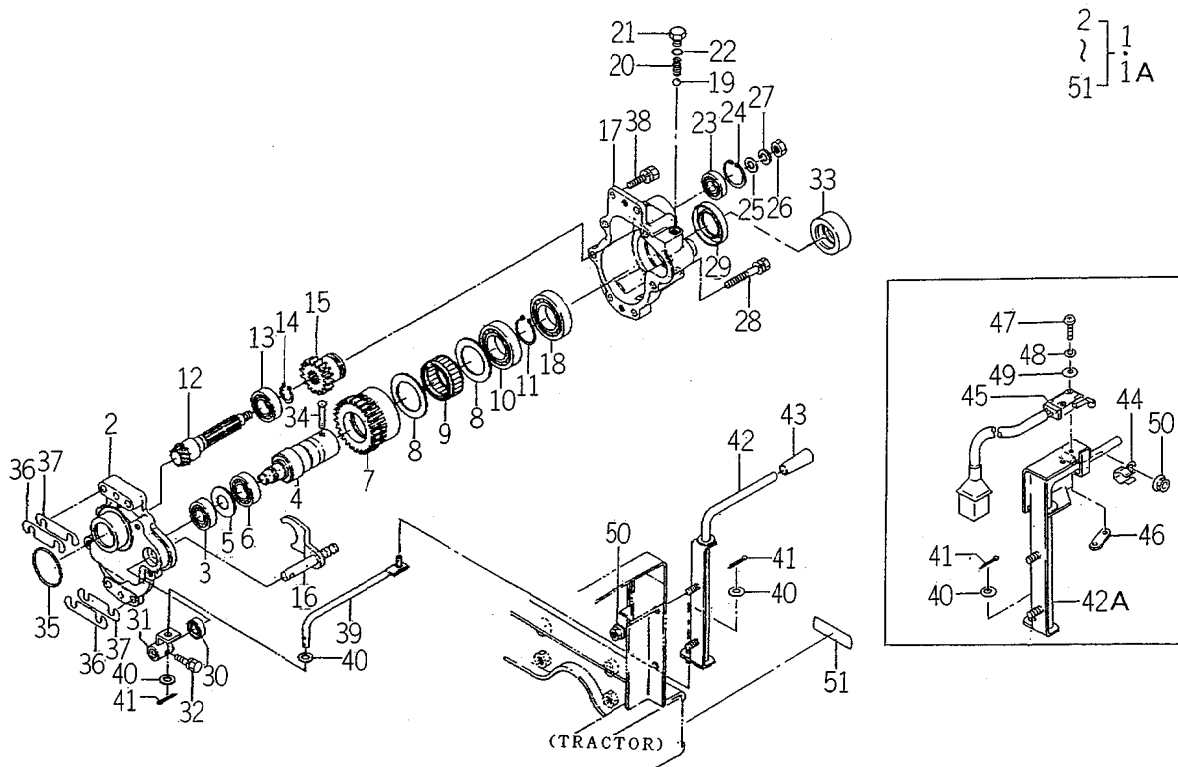
FIG. 8 COVER (SHOOTER) SYSTEM



8596-311

KEY	PART CODE	DESCRIPTION	QTY	TYPE OF MODEL		I T C	C O L	G R P	REMARKS
				SBC350					
1	8596 - 311 - 200 - 30	SHOOTER SET	1	*			1		
1A	8596 - 311 - 200 - 40	SHOOTER SET	1	*			1		
2	8596 - 311 - 006 - 00	GUIDE,SHOOTER	1	*					
3	8596 - 311 - 213 - 00	REVET/S-S	5	*					
4	V411 - 260 - 005 - 00	WASHER,PL/M5	5	*					
5	V112 - 166 - 002 - 00	SCREW/M6X20	3	*					
6	V360 - 260 - 006 - 00	NUT/M6	3	*					
7	8596 - 311 - 212 - 00	PLATE	1	*					
8	V200 - 260 - 601 - 60	BOLT/M6X16	1	*					
9	V360 - 260 - 006 - 00	NUT/M6	1	*					
10	8596 - 311 - 004 - 00	PLATE	1	*					
11	8596 - 311 - 005 - 00	GUIDE,SHOOTER	1	*			3		
11A	8596 - 311 - 005 - 10	GUIDE,SHOOTER	1	*			3		
12	V200 - 260 - 601 - 60	BOLT/M6X16	1	*					
13	V200 - 260 - 602 - 00	BOLT/M6X20	1	*					
14	V201 - 260 - 602 - 50	BOLT/M6X25	1	*					
15	V360 - 260 - 006 - 00	NUT/M6	3	*					
16	8596 - 311 - 002 - 30	RID,SHOOTER	1	*					
17	V273 - 160 - 601 - 20	BOLT,WING/M6X12	1	*			1		
17A	V120 - 366 - 001 - 60	SCREW,SP/M6X16	1	*			1		
18	8596 - 311 - 003 - 00	WASHER/09X24X02	4	*					
19	8596 - 319 - 001 - 10	HOSE,SHOOTER	1	*					

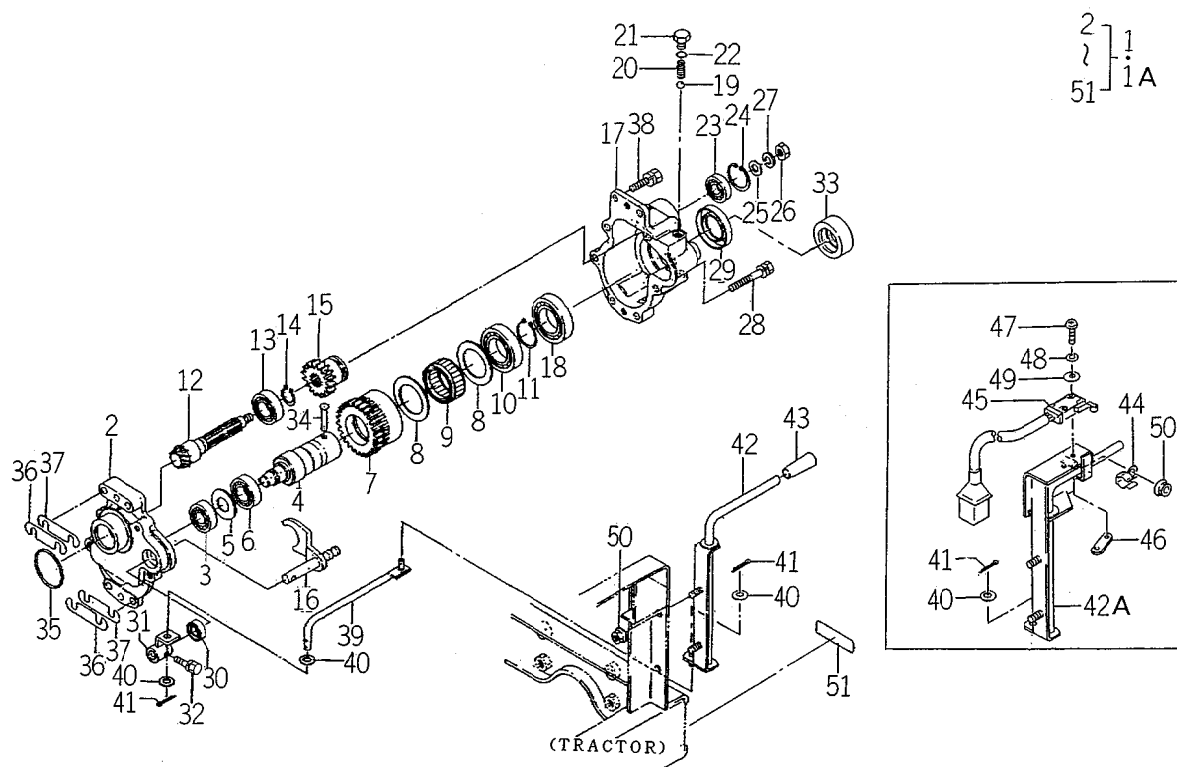
FIG. 9 PTO (REAR) SET (02 TYPE)



1593-341B

KEY	PART CODE	DESCRIPTION	QTY	TYPE OF MODEL		I T C	C O L	G R P	REMARKS
				SBC350					
1	1593 - 341 - 300 - 50	PTO,REAR SET	1	*			1		
1A	1593 - 341 - 300 - 60	PTO (リヤ) SET	1	*			1		
2	1593 - 341 - 001 - 40	CASE,PTO/FRONT	1	*					
3	V600 - 110 - 620 - 30	BEARING,RB/6203	1	*					
4	1593 - 341 - 200 - 20	SHAFT,PTO	1	*					
5	1593 - 341 - 013 - 00	COLLAR/17X30X2	1	*					
6	V600 - 110 - 600 - 40	BEARING,RB/6004	1	*					
7	1593 - 341 - 005 - 10	GEAR,SPUR/28	1	*					
8	1593 - 341 - 014 - 00	COLLAR/48X57X3	2	*					
9	1593 - 341 - 006 - 00	CLUTCH,ONE - WAY	1	*					
10	V600 - 110 - 600 - 70	BEARING,RB/6007	1	*					
11	V704 - 140 - 035 - 00	RING,SNAP/35 C	1	*					
12	1593 - 341 - 003 - 20	GEAR/12T OUT	1	*					
13	V600 - 110 - 600 - 40	BEARING,RB/6004	1	*					
14	V704 - 140 - 020 - 00	RING,SNAP/20 C	1	*					
15	1593 - 341 - 004 - 20	GEAR,SPUR/17	1	*					
16	1593 - 341 - 210 - 20	FORK,SHIFT PTO	1	*					
17	1593 - 341 - 002 - 40	CASE,PTO/REAR	1	*					
18	V600 - 110 - 600 - 70	BEARING,RB/6007	1	*					
19	V682 - 200 - 001 - 00	BALL,STEEL	1	*					
20	1302 - 225 - 003 - 00	SPRING,SHIFTER	1	*					
21	V200 - 261 - 001 - 20	BOLT/M10X12	1	*					
22	V720 - 101 - 901 - 00	O - RING	1	*					
23	V600 - 110 - 620 - 20	BEARING,RB/6202	1	*					
24	V705 - 140 - 035 - 00	RING,CIRCLIP	1	*					

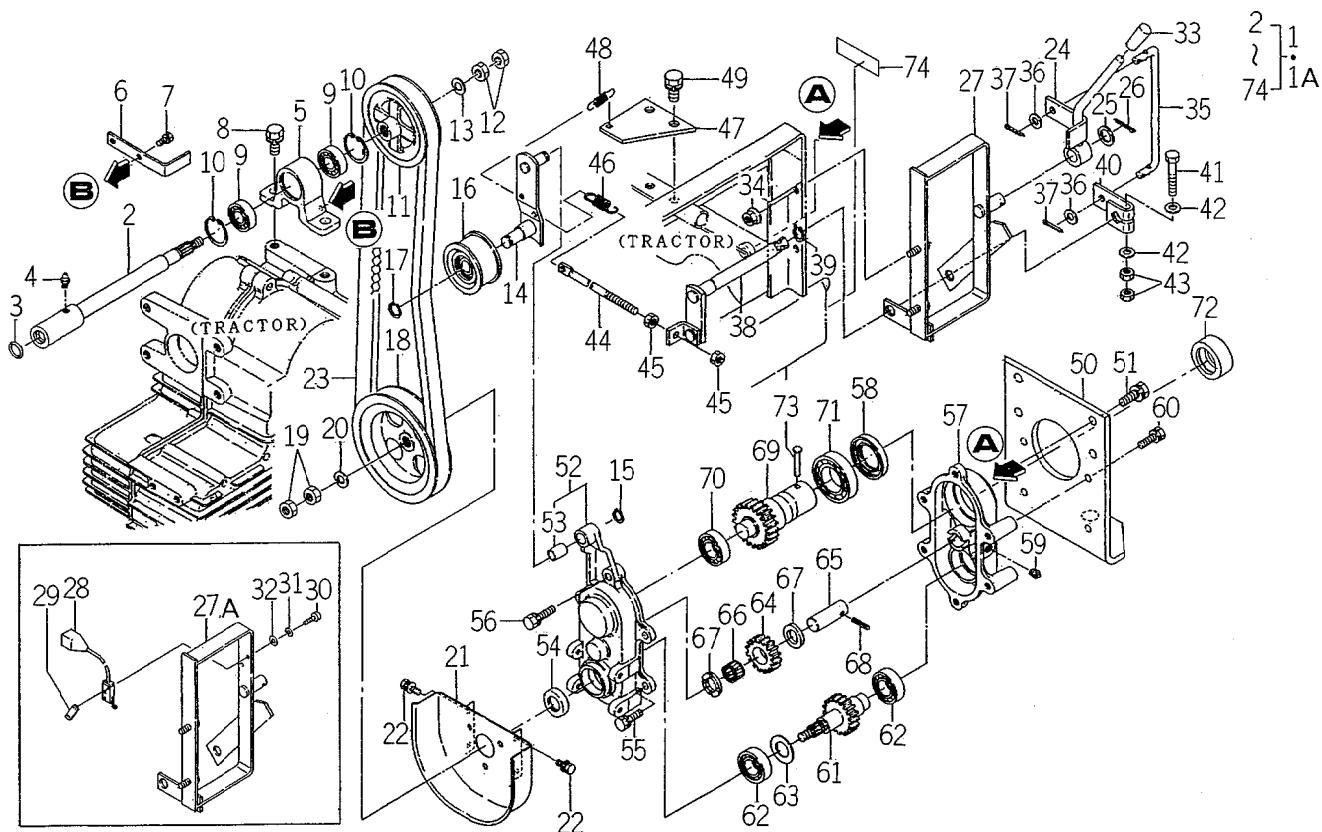
FIG. 9 PTO (REAR) SET (02 TYPE)



1593-341B

KEY	PART CODE	DESCRIPTION	QTY	TYPE OF MODEL		I T C	C O L	G R P	REMARKS
				SBC350					
25	1365 - 121 - 005 - 00	WASHER/10X20X2	1	*					
26	V331 - 460 - 010 - 00	NUT	1	*					
27	V401 - 160 - 010 - 00	WASHER,SP/M10	1	*					
28	V211 - 260 - 805 - 00	BOLT/M8X50	4	*					
29	V744 - 135 - 550 - 80	SEAL,OIL/TC35558	1	*					
30	V744 - 112 - 250 - 70	SEAL,OIL/TC12257	1	*					
31	1593 - 341 - 220 - 10	ARM,SHIFT PTO COMP	1	*					
32	V210 - 260 - 602 - 50	BOLT,S/M6X25	1	*					
33	1593 - 341 - 008 - 00	RING,PTO	1	*					
34	1593 - 341 - 009 - 00	PIN,PTO	1	*					
35	V721 - 103 - 105 - 00	O - RING/G50	1	*					
36	1593 - 203 - 004 - 20	SHIM/0.7	2	*					
37	1593 - 203 - 005 - 20	SHIM/0.2	6	*					
38	V211 - 260 - 804 - 00	BOLT,SEMS	4	*					
39	1593 - 341 - 240 - 20	ROD,PTO/REAR COMP	1	*					
40	V411 - 260 - 008 - 00	WASHER,PL/M 8	3	*					
41	V500 - 163 - 001 - 50	PIN,SPLIT/3 X15	2	*					
42	1593 - 341 - 230 - 10	LEVER,PTO	1	*			1		
42A	1593 - 341 - 230 - 20	LEVER/PTO COMP	1	*			1		
43	4106 - 105 - 303 - 00	KNOB	1	*					
44	3610 - 631 - 002 - 00	STAY ARM,HANGER	1	*					
45	1593 - 623 - 520 - 00	SWITCH,LIMIT ASSY	1	*					
46	3664 - 276 - 001 - 00	PLATE,IR/13X35	1	*					
47	V111 - 163 - 002 - 00	SCREW/M3X20	2	*					
48	V401 - 160 - 003 - 00	S.W	2	*					

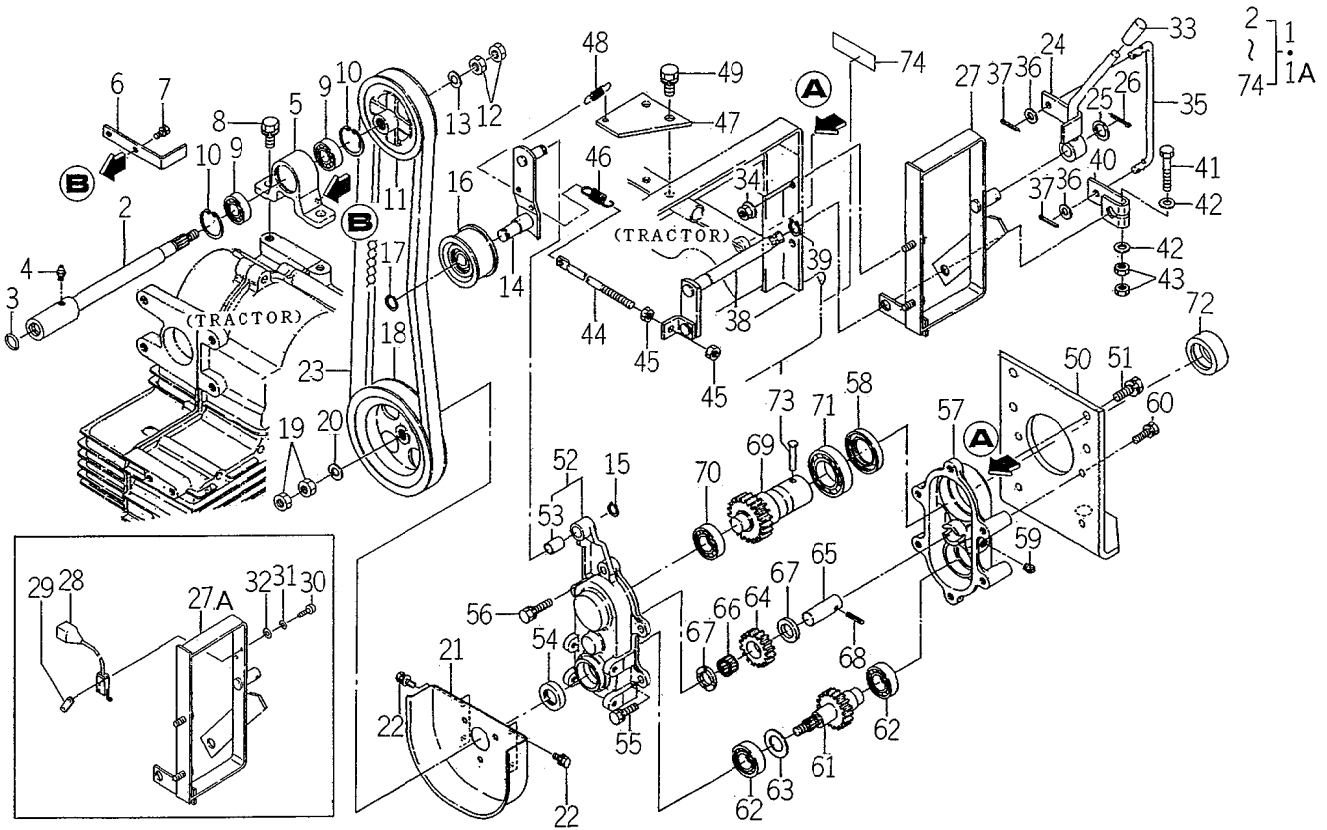
FIG. 10 PTO (REAR) SET (01 TYPE)



1608-341B

KEY	PART CODE	DESCRIPTION	QTY	TYPE OF MODEL		I T C	C O L	G R P	REMARKS
				SBC350					
1	1608 - 341 - 300 - 30	PTO,REAR SET	1	*			3		
1A	1608 - 341 - 300 - 40	PTO (リヤ) SET	1	*			1		
2	1608 - 341 - 210 - 30	SHAFT,JOINT/PTO COMP	1	*					
3	V720 - 102 - 401 - 50	O - RING/P15	1	*					
4	V760 - 150 - 000 - 00	NIPPLE,GREASE	1	*					
5	1608 - 341 - 001 - 20	METAL,REAR PTO	1	*					
6	1608 - 341 - 026 - 00	PLATE	1	*					
7	V210 - 260 - 601 - 20	BOLT,S/M6X12	2	*					
8	V211 - 561 - 002 - 00	BOLT/M10X20	2	*					
9	V600 - 150 - 620 - 20	BEARING,RB/6202SS	2	*					
10	V705 - 140 - 035 - 00	RING,CIRCLIP	2	*					
11	1608 - 341 - 003 - 20	PULLEY/VC100	1	*					
12	V331 - 460 - 010 - 00	NUT	2	*					
13	V401 - 160 - 010 - 00	WASHER,SP/M10	1	*					
14	1608 - 341 - 220 - 20	ARM,TENTION	1	*					
15	V704 - 140 - 012 - 00	RING,SNAP/12 C	1	*					
16	3737 - 122 - 001 - 00	PULLEY,TENSION	1	*					
17	V704 - 140 - 015 - 00	RING,SNAP/15 C	1	*					
18	1608 - 341 - 006 - 10	PULLEY/VC135	1	*					
19	V331 - 460 - 010 - 00	NUT	2	*					
20	V401 - 160 - 010 - 00	WASHER,SP/M10	1	*					
21	1608 - 341 - 330 - 00	COVER,BELT	1	*					
22	V210 - 360 - 601 - 20	BOLT,SEMS	4	*					
23	1608 - 341 - 008 - 00	BELT,COG/VC031	1	*					
24	1608 - 341 - 230 - 20	LEVER,PTO	1	*					

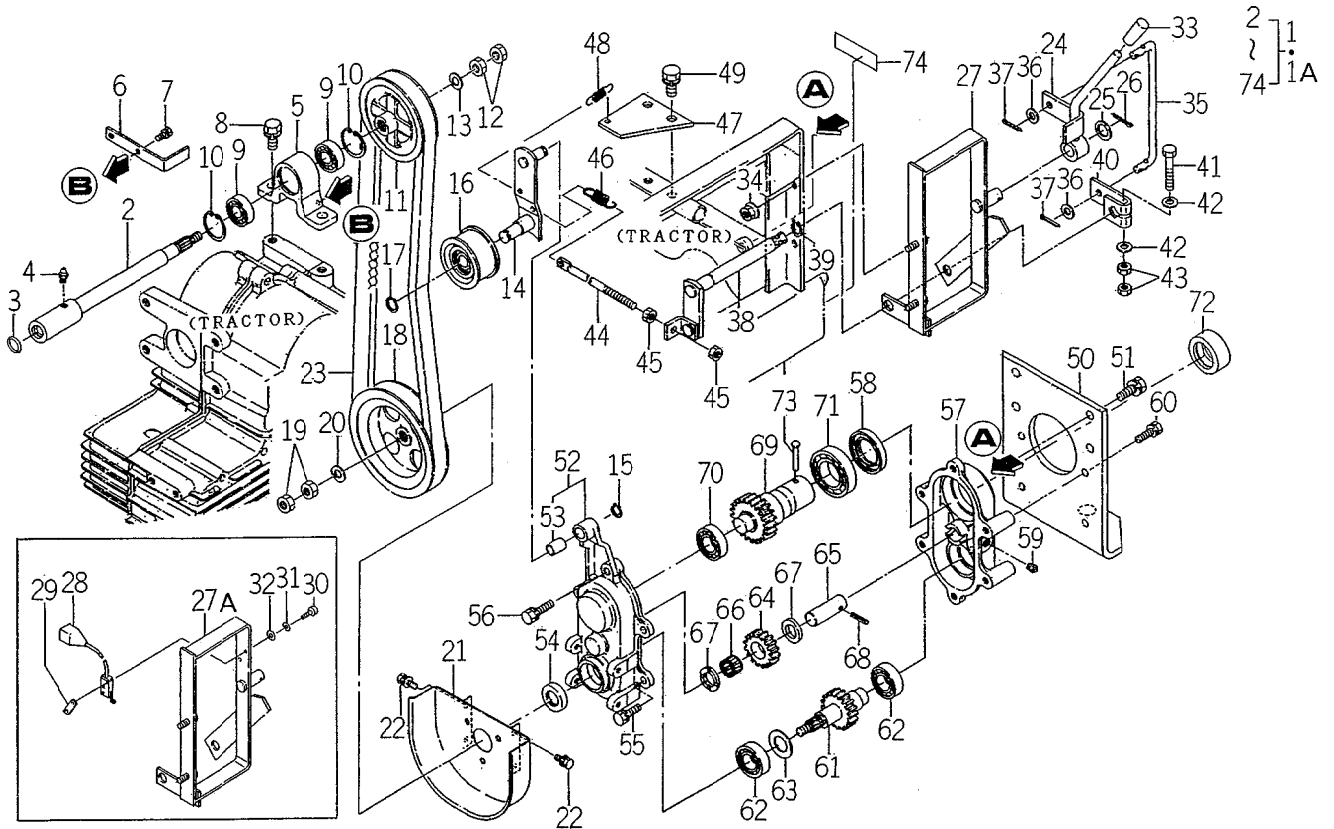
FIG. 10 PTO (REAR) SET (01 TYPE)



1608-341B

KEY	PART CODE	DESCRIPTION	QTY	TYPE OF MODEL		I T C	C O L	G R P	REMARKS
				SBC350					
25	3517 - 205 - 007 - 00	WASHER	1	*					
26	V500 - 163 - 002 - 50	PIN,SPLIT/3 X25	1	*					
27	1608 - 341 - 240 - 20	STAY,LEVER COMP	1	*		3			
27A	1608 - 341 - 240 - 30	STAY,LEVER COMP	1	*		1			
28	1593 - 623 - 520 - 00	SWITCH,LIMIT ASSY	1	*					
29	3664 - 276 - 001 - 00	PLATE,IR/13X35	1	*					
30	V111 - 163 - 002 - 00	SCREW/M3X20	2	*					
31	V401 - 160 - 003 - 00	S.W	2	*					
32	V411 - 260 - 003 - 00	WASHER,M3	2	*					
33	4106 - 105 - 303 - 00	KNOB	1	*					
34	V363 - 260 - 008 - 00	NUT,LOCK/M8	2	*					
35	1608 - 341 - 023 - 00	ROD,REAR PTO	1	*					
36	V411 - 260 - 008 - 00	WASHER,PL/M 8	2	*					
37	V500 - 162 - 501 - 50	PIN,SPLIT/2.5X15	2	*					
38	1608 - 341 - 260 - 30	SHAFT COMP	1	*					
39	V704 - 140 - 015 - 00	RING,SNAP/15 C	1	*					
40	1608 - 341 - 021 - 10	ARM/40	1	*					
41	V201 - 260 - 805 - 00	BOLT/M 8X50	1	*					
42	V411 - 260 - 008 - 00	WASHER,PL/M 8	2	*					
43	V304 - 260 - 008 - 00	NUT/M8	2	*					
44	3728 - 552 - 008 - 00	TRIGGER,TENSION	1	*					
45	V304 - 260 - 008 - 00	NUT/M8	2	*					
46	1337 - 401 - 006 - 00	SPRING	1	*					
47	1608 - 341 - 025 - 10	PLATE,RETURN	1	*					
48	1415 - 125 - 021 - 00	SPRING,TENSION/46	1	*					

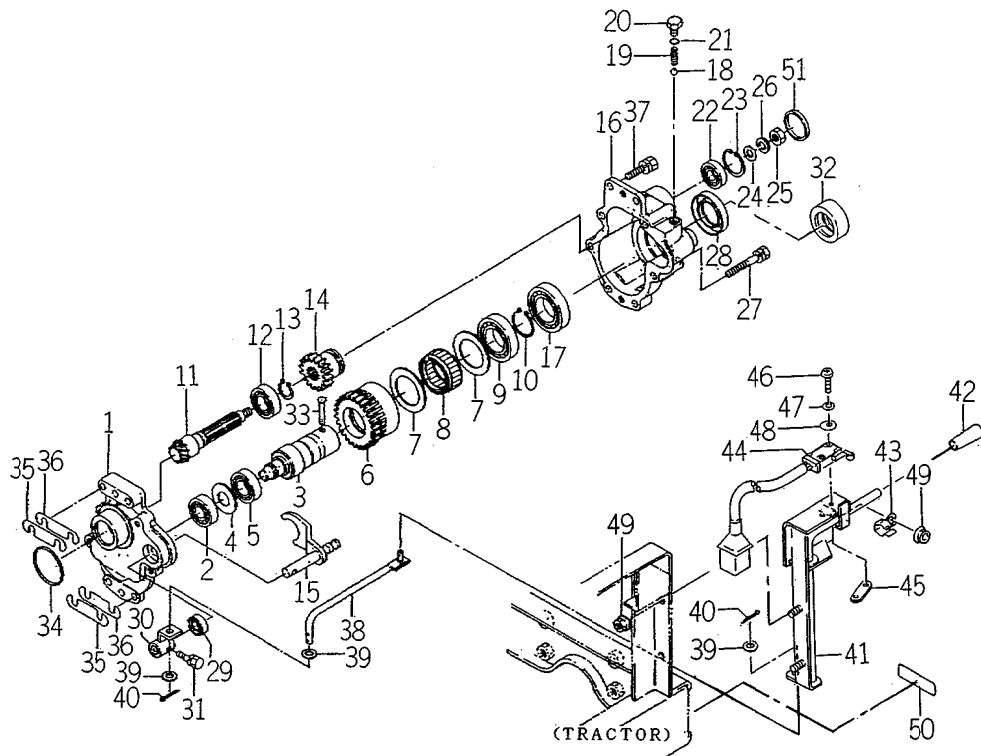
FIG. 10 PTO (REAR) SET (01 TYPE)



1608-341B

KEY	PART CODE	DESCRIPTION	QTY	TYPE OF MODEL		I T C	C O L	G R P	REMARKS
				SBC350					
49	V211 - 561 - 002 - 00	BOLT/M10X20	2	*					
50	1593 - 342 - 001 - 00	PLATE/170X215	1	*					
51	V211 - 261 - 002 - 50	BOLT,S/M10X25	4	*					
52	1608 - 341 - 200 - 00	CASE,PTO/FRONT	1	*					
53	1608 - 341 - 027 - 00	BUSH/12X14X20	1	*					
54	V744 - 120 - 350 - 70	SEAL,OIL/TC20357	1	*					
55	V211 - 260 - 802 - 00	BOLT,S/M8X20	5	*					
56	V211 - 260 - 803 - 00	BOLT,SEMS	1	*					
57	1608 - 341 - 012 - 00	CASE,PTO/RAER	1	*					
58	V744 - 135 - 550 - 80	SEAL,OIL/TC35558	1	*					
59	V781 - 160 - 000 - 40	PLUG	1	*					
60	V211 - 260 - 802 - 00	BOLT,S/M8X20	4	*					
61	1608 - 341 - 310 - 30	SHAFT,INPUT/PTO COMP	1	*					
62	V600 - 110 - 600 - 40	BEARING,RB/6004	2	*					
63	1608 - 341 - 013 - 00	COLLAR/21X35X02	1	*					
64	1608 - 341 - 014 - 10	GEAR/16T	1	*					
65	1608 - 341 - 015 - 00	PIN/18X52	1	*					
66	V654 - 418 - 221 - 60	NEEDLE,GAGE	1	*					
67	1608 - 341 - 016 - 00	COLLAR/18X30X05	2	*					
68	V580 - 140 - 502 - 50	PIN,SPRING/5 X25 W	1	*					
69	1608 - 341 - 320 - 10	SHAFT,PTO COMP	1	*					
70	V600 - 110 - 600 - 40	BEARING,RB/6004	1	*					
71	V600 - 110 - 600 - 70	BEARING,RB/6007	1	*					
72	1593 - 341 - 008 - 00	RING,PTO	1	*					
73	1593 - 341 - 009 - 00	PIN,PTO	1	*					

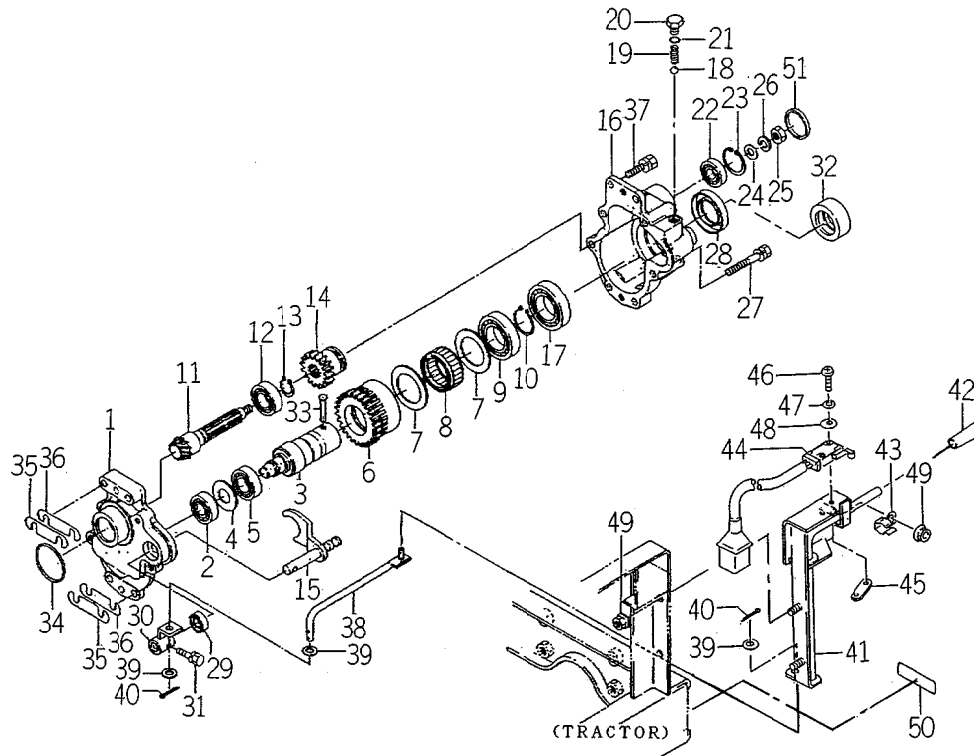
FIG. 11 PTO (REAR) SET (EXCEPT 1, E TYPE) (OPTION)



J593-341C

KEY	PART CODE	DESCRIPTION	QTY	TYPE OF MODEL		I T C	C O L	G R P	REMARKS
				SBC350					
1	1593 - 341 - 001 - 40	CASE,PTO/FRONT	1	T					
2	V600 - 110 - 620 - 30	BEARING,RB/6203	1	T					
3	1593 - 341 - 200 - 20	SHAFT,PTO	1	T					
4	1593 - 341 - 013 - 00	COLLAR,/17X30X2	1	T					
5	V600 - 110 - 600 - 40	BEARING,RB/6004	1	T					
6	1593 - 341 - 005 - 10	GEAR,SPUR,/28	1	T					
7	1593 - 341 - 014 - 00	COLLAR,/48X57X3	2	T					
8	1593 - 341 - 006 - 00	CLUTCH,ONE - WAY	1	T					
9	V600 - 110 - 600 - 70	BEARING,RB/6007	1	T					
10	V704 - 140 - 035 - 00	RING,SNAP/35 C	1	T					
11	1593 - 341 - 003 - 20	GEAR,/12T OUT	1	T					
12	V600 - 110 - 600 - 40	BEARING,RB/6004	1	T					
13	V704 - 140 - 020 - 00	RING,SNAP/20 C	1	T					
14	1593 - 341 - 004 - 20	GEAR,SPUR,/17	1	T					
15	1593 - 341 - 210 - 20	FORK,SHIFT PTO	1	T					
16	1593 - 341 - 002 - 40	CASE,PTO/REAR	1	T					
17	V600 - 110 - 600 - 70	BEARING,RB/6007	1	T					
18	V682 - 200 - 001 - 00	BALL,STEEL	1	T					
19	1302 - 225 - 003 - 00	SPRING,SHIFTER	1	T					
20	V200 - 261 - 001 - 20	BOLT,/M10X12	1	T					
21	V720 - 101 - 901 - 00	O - RING	1	T					
22	V600 - 110 - 620 - 20	BEARING,RB/6202	1	T					
23	V705 - 140 - 035 - 00	RING,CIRCLIP	1	T					
24	1365 - 121 - 005 - 00	WASHER,/10X20X2	1	T					
25	V331 - 460 - 010 - 00	NUT	1	T					

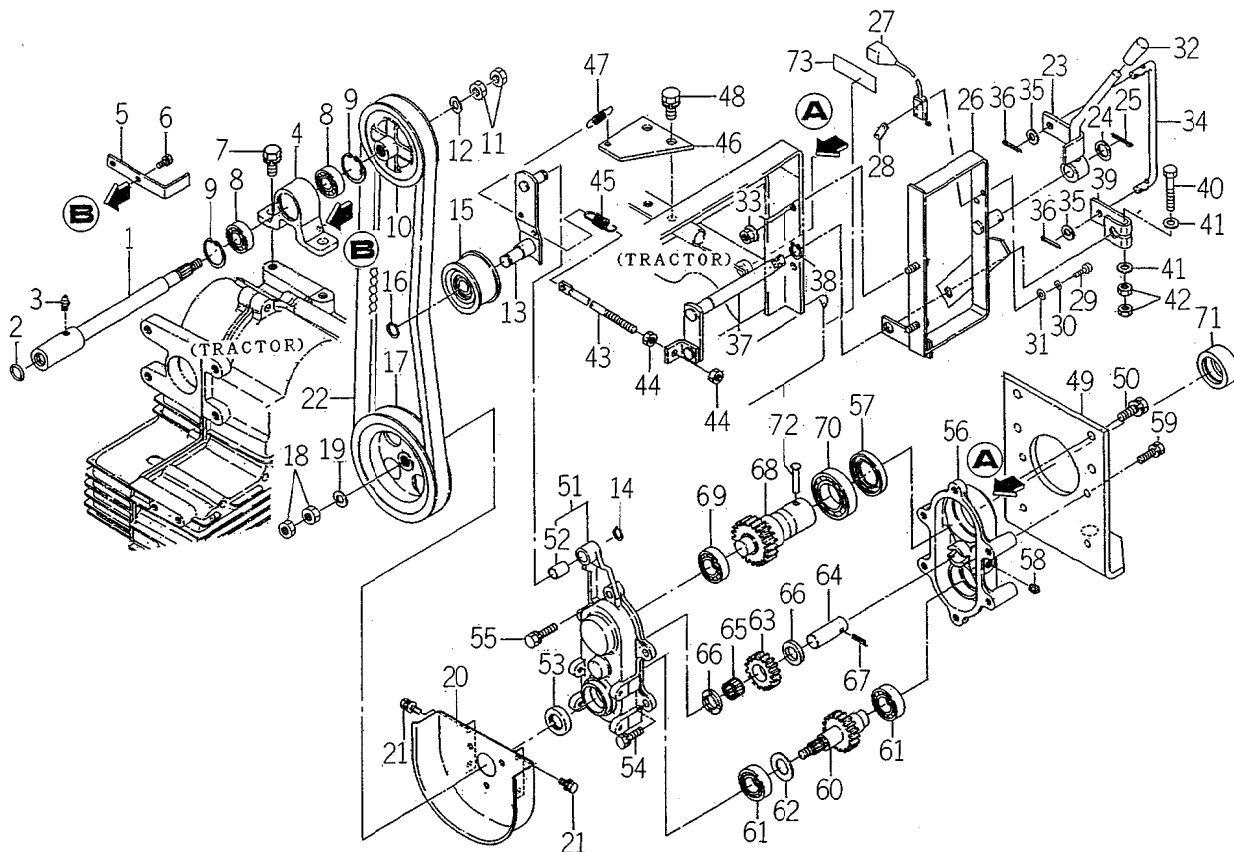
FIG. 11 PTO (REAR) SET (EXCEPT 1, E TYPE) (OPTION)



1593-341C

KEY	PART CODE	DESCRIPTION	QTY	TYPE OF MODEL		I T C	C O L	G R P	REMARKS
				SBC350					
26	V401 - 160 - 010 - 00	WASHER,SP/M10	1	T					
27	V211 - 260 - 805 - 00	BOLT/M8X50	4	T					
28	V744 - 135 - 550 - 80	SEAL,OIL/TC35558	1	T					
29	V744 - 112 - 250 - 70	SEAL,OIL/TC12257	1	T					
30	1593 - 341 - 220 - 10	ARM,SHIFT PTO COMP	1	T					
31	V210 - 260 - 602 - 50	BOLT,S/M6X25	1	T					
32	1593 - 341 - 008 - 00	RING,PTO	1	T					
33	1593 - 341 - 009 - 00	PIN,PTO	1	T					
34	V721 - 103 - 105 - 00	O - RING/G50	1	T					
35	1593 - 203 - 004 - 20	SHIM/0.7	2	T					
36	1593 - 203 - 005 - 20	SHIM/0.2	6	T					
37	V211 - 260 - 804 - 00	BOLT,SEMS	4	T					
38	1593 - 341 - 240 - 20	ROD,PTO/REAR COMP	1	T					
39	V411 - 260 - 008 - 00	WASHER,PL/M 8	3	T					
40	V500 - 163 - 001 - 50	PIN,SPLIT/3 X15	2	T					
41	1593 - 341 - 230 - 20	LEVER/PTO COMP	1	T					
42	4106 - 105 - 303 - 00	KNOB	1	T					
43	3610 - 631 - 002 - 00	STAY ARM,HANGER	1	T					
44	1593 - 623 - 520 - 00	SWITCH,LIMIT ASSY	1	T					
45	3664 - 276 - 001 - 00	PLATE,IR/13X35	1	T					
46	V111 - 163 - 002 - 00	SCREW/M3X20	2	T					
47	V401 - 160 - 003 - 00	S.W	2	T					
48	V411 - 260 - 003 - 00	WASHER/M3	2	T					
49	V363 - 260 - 008 - 00	NUT,LOCK/M8	2	T					
50	1593 - 341 - 012 - 10	LABEL,PTO	1	T					

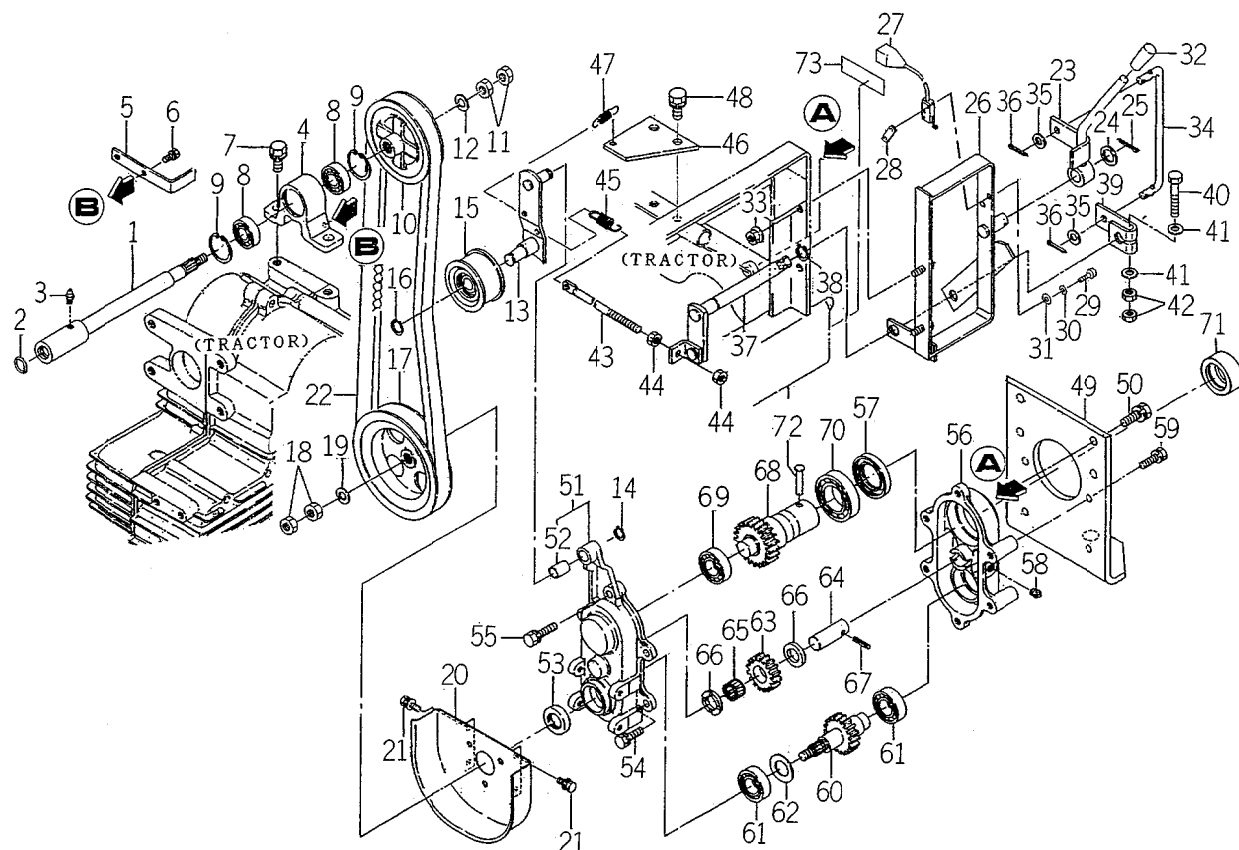
FIG. 12 PTO (REAR) SET
(1TYPE – STANDARD • EXCEPT 1, E TYPE – OPTION)



1608-341C

KEY	PART CODE	DESCRIPTION	QTY	TYPE OF MODEL		I T C	C O L	G R P	REMARKS
				SBC350					
1	1608 - 341 - 210 - 30	SHAFT,JOINT/PTO COMP	1	*					
2	V720 - 102 - 401 - 50	O - RING/P15	1	*					
3	V760 - 150 - 000 - 00	NIPPLE,GREASE	1	*					
4	1608 - 341 - 001 - 20	METAL,REAR PTO	1	*					
5	1608 - 341 - 026 - 00	PLATE	1	*					
6	V210 - 260 - 601 - 20	BOLT,S/M6X12	2	*					
7	V211 - 561 - 002 - 00	BOLT/M10X20	2	*					
8	V600 - 150 - 620 - 20	BEARING,RB/6202SS	2	*					
9	V705 - 140 - 035 - 00	RING,CIRCLIP	2	*					
10	1608 - 341 - 003 - 20	PULLEY/VC100	1	*					
11	V331 - 460 - 010 - 00	NUT	2	*					
12	V401 - 160 - 010 - 00	WASHER,SP/M10	1	*					
13	1608 - 341 - 220 - 20	ARM,TENTION	1	*					
14	V704 - 140 - 012 - 00	RING,SNAP/12 C	1	*					
15	3737 - 122 - 001 - 00	PULLEY,TENSION	1	*					
16	V704 - 140 - 015 - 00	RING,SNAP/15 C	1	*					
17	1608 - 341 - 006 - 10	PULLEY/VC135	1	*					
18	V331 - 460 - 010 - 00	NUT	2	*					
19	V401 - 160 - 010 - 00	WASHER,SP/M10	1	*					
20	1608 - 341 - 330 - 00	COVER,BELT	1	*					
21	V210 - 360 - 601 - 20	BOLT,SEMS	4	*					
22	1608 - 341 - 008 - 00	BELT,COG/VC031	1	*					
23	1608 - 341 - 230 - 20	LEVER,PTO	1	*					
24	3517 - 205 - 007 - 00	WASHER	1	*					
25	V500 - 163 - 002 - 50	PIN,SPLIT/3 X25	1	*					

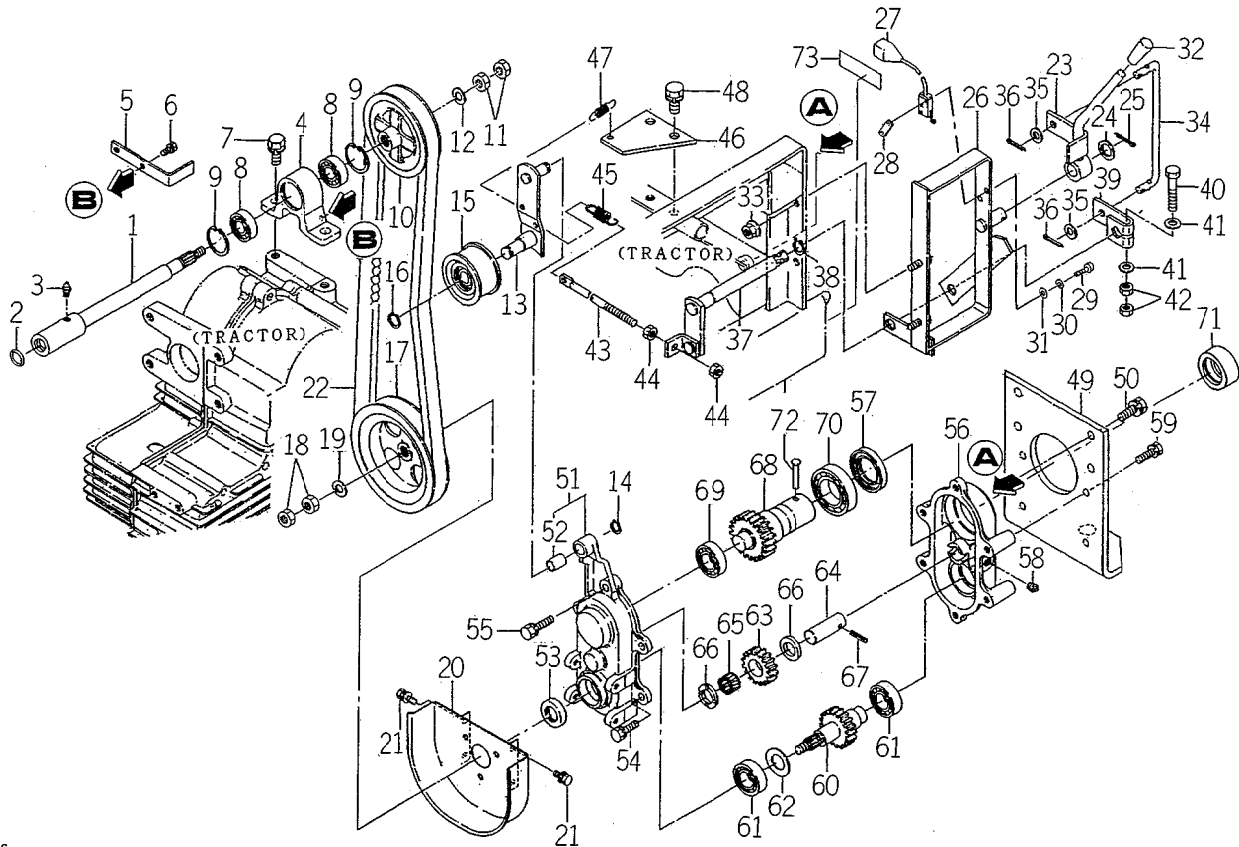
FIG. 12 PTO (REAR) SET
(1TYPE – STANDARD • EXCEPT 1, E TYPE – OPTION)



1608-341C

KEY	PART CODE	DESCRIPTION	QTY	TYPE OF MODEL		I T C	C O L	G R P	REMARKS
				SBC350					
26	1608 - 341 - 240 - 30	STAY,LEVER COMP	1	*					
27	1593 - 623 - 520 - 00	SWITCH,LIMIT ASSY	1	*					
28	3664 - 276 - 001 - 00	PLATE,IR/13X35	1	*					
29	V111 - 163 - 002 - 00	SCREW/M3X20	2	*					
30	V401 - 160 - 003 - 00	S.W	2	*					
31	V411 - 260 - 003 - 00	WASHER/M3	2	*					
32	4106 - 105 - 303 - 00	KNOB	1	*					
33	V363 - 260 - 008 - 00	NUT,LOCK/M8	2	*					
34	1608 - 341 - 023 - 00	ROD,REAR PTO	1	*					
35	V411 - 260 - 008 - 00	WASHER,PL/M 8	2	*					
36	V500 - 162 - 501 - 50	PIN,SPLIT/2.5X15	2	*					
37	1608 - 341 - 260 - 30	SHAFT COMP	1	*					
38	V704 - 140 - 015 - 00	RING,SNAP/15 C	1	*					
39	1608 - 341 - 021 - 10	ARM/40	1	*					
40	V201 - 260 - 805 - 00	BOLT/M 8X50	1	*					
41	V411 - 260 - 008 - 00	WASHER,PL/M 8	2	*					
42	V304 - 260 - 008 - 00	NUT/M8	2	*					
43	3728 - 552 - 008 - 00	TRIGGER,TENSION	1	*					
44	V304 - 260 - 008 - 00	NUT/M8	2	*					
45	1337 - 401 - 006 - 00	SPRING	1	*					
46	1608 - 341 - 025 - 10	PLATE,RETURN	1	*					
47	1415 - 125 - 021 - 00	SPRING,TENSION/46	1	*					
48	V211 - 561 - 002 - 00	BOLT/M10X20	2	*					
49	1593 - 342 - 001 - 00	PLATE/170X215	1	*					
50	V211 - 261 - 002 - 50	BOLT,S/M10X25	4	*					

FIG. 12 PTO (REAR) SET
(1TYPE – STANDARD • EXCEPT 1, E TYPE – OPTION)



1608-341C

KEY	PART CODE	DESCRIPTION	QTY	TYPE OF MODEL		I T C	C O L	G R P	REMARKS
				SBC350					
51	1608 - 341 - 200 - 00	CASE,PTO/FRONT	1	*					
52	1608 - 341 - 027 - 00	BUSH/12X14X20	1	*					
53	V744 - 120 - 350 - 70	SEAL,OIL/TC20357	1	*					
54	V211 - 260 - 802 - 00	BOLT,S/M8X20	5	*					
55	V211 - 260 - 803 - 00	BOLT,SEMS	1	*					
56	1608 - 341 - 012 - 00	CASE,PTO/RAER	1	*					
57	V744 - 135 - 550 - 80	SEAL,OIL/TC35558	1	*					
58	V781 - 160 - 000 - 40	PLUG	1	*					
59	V211 - 260 - 802 - 00	BOLT,S/M8X20	4	*					
60	1608 - 341 - 310 - 30	SHAFT,INPUT/PTO COMP	1	*					
61	V600 - 110 - 600 - 40	BEARING,RB/6004	2	*					
62	1608 - 341 - 013 - 00	COLLAR/21X35X02	1	*					
63	1608 - 341 - 014 - 10	GEAR/16T	1	*					
64	1608 - 341 - 015 - 00	PIN/18X52	1	*					
65	V654 - 418 - 221 - 60	NEEDLE,GAGE	1	*					
66	1608 - 341 - 016 - 00	COLLAR/18X30X05	2	*					
67	V580 - 140 - 502 - 50	PIN,SPRING/5 X25 W	1	*					
68	1608 - 341 - 320 - 10	SHAFT,PTO COMP	1	*					
69	V600 - 110 - 600 - 40	BEARING,RB/6004	1	*					
70	V600 - 110 - 600 - 70	BEARING,RB/6007	1	*					
71	1593 - 341 - 008 - 00	RING,PTO	1	*					
72	1593 - 341 - 009 - 00	PIN,PTO	1	*					
73	1593 - 341 - 012 - 10	LABEL,PTO	1	*					

NUMERICAL INDEX

SSM48

PART CODE	FIG. KEY	PART CODE	FIG. KEY	PART CODE	FIG. KEY
1305-931-003-00	11 3 11 7	8592-011-204-00	1 11 1 20	8595-201-009-00	5 10 5 14
1427-317-003-00	10 6 10 9		2 3 2 11	8595-201-051-10	5 1
1427-431-011-00	1 10		4 7	8595-201-052-20	5 2
				8595-201-053-20	5 3
	1 19 2 10 4 14	8593-014-200-10	4 15 7 4	8595-201-054-10	5 7 5 12
1560-275-012-00	7 3	8595-101-210-30	1 1	8595-201-066-00	6 10
1560-285-006-20	10 4	8595-101-211-00	4 5 1 13	8595-201-069-10	5 17 5 18
1593-901-015-00	17 8		2 13	8595-201-072-10	6 1
1668-904-005-00	16 27		4 17	8595-201-074-00	6 6
2500-901-014-30	16 8 17 7 18 4	8595-101-212-00	1 9 4 13	8595-201-075-10	6 11 6 14
		8595-101-250-00	1 16	8595-201-076-00	6 15
2500-901-027-00	16 2A 16 11A 16 16A 16 28 17 2A	8595-101-251-00	1 26	8595-201-078-10	6 2
		8595-101-252-00	1 28	8595-201-079-10	6 3
		8595-101-260-00	1 17	8595-201-080-10	6 12
		8595-101-261-00	1 27	8595-201-200-10	5 11
		8595-101-262-00	1 29	8595-202-500-30	7 1
	17 10A 17 13A 18 3	8595-101-300-00	2 1	8595-202-520-10	7 2
		8595-101-311-00	2 9	8595-203-002-20	8 1
3621-211-003-00	7 7	8595-101-400-00	2 25	8595-301-001-70	8 2
3631-834-002-20	11 5	8595-101-411-00	3 1 2 26	8595-301-004-30	8 11 8 10
3680-901-003-00	16 23		3 2	8595-301-007-10	8 18
3737-341-006-00	7 8	8595-101-412-00	2 16	8595-301-008-00	8 6
3737-341-007-00	7 9 9 10 18 6		2 27 3 3 3 14	8595-301-008-10	8 6A 8 7 8 6B
3768-112-001-00	9 6	8595-101-421-00	2 31	8595-301-012-00	8 11A
4345-901-011-00	16 24		3 7	8595-301-013-00	8 2A
7918-101-240-00	1 5 1 22 2 5	8595-101-422-00	2 21 2 32 3 8	8595-301-500-50	8 5 8 16 8 5A
7918-101-242-00	4 9 1 6 1 23 2 6 4 10	8595-101-450-00	3 19 2 14 3 12	8595-301-610-00	8 17 8 24 8 27
		8595-101-461-00	2 15 3 13	8595-305-011-00	8 25 8 28
8592-011-201-00	1 2 1 18 2 2	8595-101-471-00	2 20 3 18	8595-306-061-00	8 23 9 1
	4 6	8595-102-001-00	4 2	8595-402-500-80	9 2
8592-011-204-00	1 3	8595-102-210-20	4 1	8595-402-720-10	9 3
		8595-201-005-00	5 13A	8595-405-500-20	9 3
				8595-406-210-50	9 4

PART CODE	FIG. KEY	PART CODE	FIG. KEY	PART CODE	FIG. KEY
8595-407-540-20	9 7	8595-608-015-00	15 15	8650-910-002-00	16 31
8595-407-570-30	9 8	8595-608-016-00	15 4	8651-301-202-00	15 11
8595-501-001-10	10 2	8595-608-017-00	15 5		15 20
8595-501-005-00	10 10	8595-608-018-00	15 6	8654-101-230-00	2 17
8595-501-005-20	10 10A	8595-608-250-00	15 1		2 22
8595-501-500-30	10 1	8595-901-001-20	16 1		2 28
8595-501-510-00	10 3	8595-901-002-00	16 2		2 33
8595-505-002-00	10 8		17 2		3 4
8595-505-051-00	10 5	8595-901-003-00	16 3		3 9
8595-505-051-20	10 5A		17 3		3 15
8595-601-310-00	11 1	8595-901-004-10	16 5		3 20
8595-601-320-00	11 4		17 4	8654-101-232-00	2 18
8595-602-001-00	11 10	8595-901-005-00	16 9		2 23
8595-602-002-00	11 12		16 15		2 29
8595-602-310-00	11 9		16 21		2 34
8595-602-320-10	11 11		16 32		3 5
8595-603-002-00	12 2		17 9		3 10
8595-603-330-00	12 1	8595-901-006-00	16 6		3 16
8595-603-340-00	12 5		16 14		3 21
8595-603-350-00	12 8		16 20	8654-101-233-00	2 19
8595-604-001-00	12 12		16 30		2 24
8595-604-210-10	12 11		17 5		2 30
8595-604-210-20	12 11A	8595-901-007-00	16 7		2 35
8595-604-220-00	12 15		17 6		3 6
8595-604-230-00	12 18		17 16		3 11
8595-605-001-00	13 2	8595-901-200-00	18 1		3 17
	14 2	8595-901-210-00	18 2		3 22
	14 10	8595-902-001-10	16 11	8654-901-001-00	16 4
8595-605-210-10	13 1		17 10		16 13
8595-605-220-00	13 7	8595-902-002-00	16 12		16 18
8595-605-230-00	13 10		17 11		16 29
8595-605-240-00	13 13	8595-902-003-20	16 10		18 5
	14 17		17 12	V201-260-802-00	15 9
8595-606-210-10	14 7	8595-903-001-00	16 16		15 18
8595-606-220-10	14 15		17 13	V201-261-202-50	15 2
8595-606-230-10	14 1	8595-903-002-00	16 17		15 13
8595-606-240-10	14 9		17 14	V201-261-203-00	4 20
8595-606-250-00	14 5	8595-903-003-00	16 19		12 6
	14 13		17 15		12 9
8595-607-210-10	12 21	8595-904-001-00	16 22	V201-261-204-50	11 13
8595-608-011-00	15 12	8595-904-003-10	16 25		12 16
8595-608-012-00	15 7	8595-904-004-00	16 26		12 19
	15 16	8595-905-001-00	17 1	V201-261-205-50	13 8
8595-608-013-00	15 8	8595-910-001-00	16 33	V201-261-205-50	13 11
8595-608-014-00	15 17	8597-306-001-00	8 26	V210-260-601-20	8 4

SSM48

PART CODE	FIG. KEY	PART CODE	FIG. KEY	PART CODE	FIG. KEY
V211-260-801-60	5 6	V411-260-008-00	14 18	V705-140-052-00	4 4
V211-260-802-00	6 5	V411-260-010-00	12 13		6 8
V211-261-003-00	14 8	V411-260-016-00	11 2		6 19
	14 16		11 6	V744-125-470-80	5 8
V211-261-004-50	14 6		13 15		5 16
	14 14		14 19	V744-125-521-00	6 7
V211-360-802-00	5 5	V411-260-020-00	13 3		6 20
	8 21		14 3	V760-150-000-00	8 3
	8 22		14 11	V781-160-000-40	5 4
V300-200-020-00	11 8	V500-162-501-50	1 8		6 4
	12 3		1 25		
V303-200-010-00	13 6		2 8		
V303-200-012-00	7 10		4 12		
V304-260-008-00	8 14	V500-163-001-50	13 17		
V304-260-010-00	8 19		14 21		
	8 12	V500-163-002-50	10 7		
V304-460-014-00	9 5	V500-163-003-00	10 11		
V363-260-008-00	9 9	V500-163-004-00	13 4		
	9 11		13 16		
	10 6A		14 4		
	15 10		14 12		
	15 19		14 20		
	18 7	V580-140-602-50	6 16		
V363-260-010-00	10 12	V580-140-603-20	1 14		
V401-160-008-00	8 15		1 30		
	8 20		2 36		
	12 4		4 18		
	12 14	V600-110-620-30	5 13		
V401-160-012-00	4 21	V600-140-630-20	6 13		
	11 14	V600-150-620-50	4 3		
	12 7		6 9		
	12 10		6 18		
	12 17	V704-140-016-00	7 6		
	12 20	V704-140-017-00	7 5		
	13 5	V705-140-020-00	1 4		
	13 9		1 12		
	13 12		1 21		
	15 3		2 4		
	15 14		2 12		
V401-160-014-00	8 13		4 8		
	1 7		4 16		
V411-260-008-00	1 24	V705-140-040-00	8 8		
	2 7	V705-140-047-00	5 9		
	4 11		5 15		
	13 14		8 9		

NUMERICAL INDEX

SRM48

PART CODE	FIG. KEY	PART CODE	FIG. KEY	PART CODE	FIG. KEY
1305-931-003-00	9 5	8595-101-411-00	2 26	8595-305-011-00	6 25
	9 8	8595-101-412-00	2 16	8595-305-012-00	6 26
1427-317-003-00	8 6		2 27	8595-405-500-20	7 2
	8 9	8595-101-421-00	2 31	8595-501-001-10	8 4
1427-431-011-00	1 10	8595-101-422-00	2 21	8595-501-005-00	8 10
	1 19		2 32	8595-501-005-20	8 10A
	2 10	8595-101-450-00	2 14	8595-501-500-30	8 1
1560-275-012-00	5 3	8595-101-461-00	2 15	8595-501-510-00	8 2
1560-285-006-20	8 3	8595-101-471-00	2 20	8595-505-002-00	8 8
1593-901-015-00	13 17	8595-201-005-00	3 13A	8595-505-051-00	8 5
	13 7	8595-201-009-00	3 10	8595-505-051-20	8 5A
2500-901-014-30	13 2A		3 14	8595-601-310-00	9 3
2500-901-027-00	13 8A	8595-201-051-10	3 1	8595-601-320-00	9 6
	13 11A	8595-201-052-20	3 2	8595-602-001-00	9 2
3621-211-003-00	5 5	8595-201-053-20	3 3	8595-602-002-00	9 11
	5 9	8595-201-054-10	3 7	8595-602-310-00	9 1
3737-341-006-00	5 10	8595-201-057-40	3 12	8595-602-320-10	9 10
3737-341-007-00	1 5	8595-201-066-00	4 10	8595-604-001-00	10 2
7918-101-240-00	1 22	8595-201-069-10	3 17	8595-604-210-10	10 1
	2 5	8595-201-071-00	3 18	8595-604-210-20	10 1A
	1 6	8595-201-072-10	4 1	8595-604-220-00	10 5
7918-101-242-00	1 23	8595-201-074-00	4 6	8595-604-230-00	10 8
	2 6	8595-201-075-10	4 11	8595-605-001-00	11 2
8592-011-201-00	1 2	8595-201-076-00	4 14		12 2
	1 18	8595-201-077-00	4 15		12 10
	2 2	8595-201-078-10	4 2	8595-605-210-10	11 1
8592-011-204-00	1 3	8595-201-079-10	4 3	8595-605-220-00	11 7
	1 11	8595-201-080-10	4 12	8595-605-230-00	11 10
	1 20	8595-201-200-10	3 11	8595-605-240-00	11 13
	2 3	8595-202-500-30	5 1		12 17
	2 11	8595-202-520-10	5 2	8595-606-210-10	12 7
8593-014-200-10	5 7	8595-203-002-20	6 1	8595-606-220-10	12 15
8595-101-210-30	1 1	8595-301-001-70	6 2	8595-606-230-10	12 1
8595-101-211-00	1 13	8595-301-004-30	6 11	8595-606-240-10	12 9
	2 13	8595-301-005-30	6 10	8595-606-250-00	12 5
	1 9	8595-301-008-00	6 6		12 13
8595-101-212-00	1 16	8595-301-008-10	6 6A	8595-607-210-10	10 11
8595-101-250-00	1 26	8595-301-009-00	6 7	8595-901-002-00	13 2
8595-101-251-00	1 28	8595-301-011-00	6 6B	8595-901-004-10	13 3
8595-101-252-00	1 17	8595-301-012-00	6 11A	8595-901-006-00	13 5
8595-101-260-00					
8595-101-261-00	1 27	8595-301-013-00	6 2A	8595-901-007-00	13 6
8595-101-262-00	1 29	8595-301-500-50	6 5	8595-902-001-10	13 8
8595-101-300-00	2 1	8595-301-510-40	6 16	8595-902-003-20	13 9
8595-101-311-00	2 9	8595-301-520-00	6 5A	8595-903-001-00	13 11
8595-101-400-00	2 25	8595-301-610-00	6 17	8595-903-003-00	13 12

SRM48

PART CODE	FIG. KEY	PART CODE	FIG. KEY	PART CODE	FIG. KEY
8595-904-002-00	13 15	V303-200-012-00	11 6	V500-163-004-00	12 12
8595-904-004-00	13 16	V304-260-008-00	5 11		12 20
8597-301-001-00	6 18		6 14	V580-140-602-50	4 16
8597-301-002-00	6 19	V304-260-010-00	6 20	V580-140-603-20	1 14
8597-306-001-00	6 24	V304-460-014-00	6 12		1 30
8597-402-200-20	7 1	V363-260-008-00	7 4		2 36
8597-406-001-00	7 5		7 6	V600-110-620-30	3 13
8597-406-200-20	7 3		7 9	V600-140-630-20	4 13
8597-406-210-00	7 7		7 11	V600-150-620-50	4 9
8597-407-200-10	7 8		8 6A		4 18
8597-407-210-10	7 10	V363-260-010-00	8 12	V704-140-016-00	5 6
8597-450-200-10	7 12	V401-160-008-00	6 15	V704-140-017-00	5 8
8597-903-001-10	13 1	V401-160-010-00	6 21	V705-140-020-00	1 4
8597-904-001-00	13 14		10 4		1 12
8654-101-230-00	2 17	V401-160-012-00	9 13		1 21
	2 22		10 7		2 4
	2 28		10 10		2 12
	2 33		11 5	V705-140-040-00	6 8
8654-101-232-00	2 18		11 9	V705-140-047-00	3 9
	2 23		11 12		3 15
	2 29	V401-160-014-00	6 13		6 9
	2 34	V411-260-008-00	1 7	V705-140-052-00	4 8
8654-101-233-00	2 19		1 24		4 19
	2 24		2 7	V744-125-470-80	3 8
	2 30		11 14		3 16
	2 35		12 18	V744-125-521-00	4 7
8654-901-001-00	13 4	V411-260-010-00	10 3		4 20
	13 10	V411-260-016-00	5 4	V760-150-000-00	6 3
	13 13		9 4	V781-160-000-40	3 4
V201-261-204-50	9 12		9 7		4 4
	10 6		11 15		
	10 9		12 19		
V201-261-205-50	11 8	V411-260-020-00	11 3		
	11 11		12 3		
V210-260-601-20	6 4		12 11		
V211-260-801-60	3 6	V500-162-501-50	1 8		
V211-260-802-00	4 5		1 25		
V211-261-003-00	12 8		2 8		
	12 16	V500-163-001-50	11 17		
V211-261-004-50	12 6		12 21		
	12 14	V500-163-002-50	8 7		
V211-360-802-00	3 5	V500-163-003-00	8 11		
	6 22	V500-163-004-00	11 4		
	6 23		11 16		
V300-200-020-00	9 9		12 4		

NUMERICAL INDEX

SBC350

PART CODE	FIG. KEY	PART CODE	FIG. KEY	PART CODE	FIG. KEY
1302-225-003-00	9 20 11 19	1593-341-200-20	9 4 11 3	1608-341-027-00	10 53 12 52
1305-241-001-00	7 11	1593-341-210-20	9 16	1608-341-200-00	10 52
1337-401-006-00	10 46 12 45	1593-341-220-10	11 15 9 31	1608-341-210-30	12 51 10 2
1337-708-007-00	11 51		11 30		12 1
1365-121-005-00	9 25 11 24	1593-341-230-10 1593-341-230-20	9 42 9 42A	1608-341-220-20	10 14 12 13
1373-406-002-00	7 5		11 41	1608-341-230-20	10 24
1374-401-001-00	3 6	1593-341-240-20	9 39		12 23
1376-402-003-00	13 3		11 38	1608-341-240-20	10 27
1415-125-021-00	10 48 12 47	1593-341-300-50 1593-341-300-60	9 1 9 1A	1608-341-240-30	10 27A 12 26
1593-203-004-20	9 36 11 35	1593-342-001-00	10 50 12 49	1608-341-260-30	10 38 12 37
1593-203-005-20	9 37 11 36	1593-623-520-00	9 45 10 28	1608-341-300-30 1608-341-300-40	10 1 10 1A
1593-341-001-40	9 2 11 1		11 44 12 27	1608-341-310-30	10 61 12 60
1593-341-002-40	9 17	1608-341-001-20	10 5	1608-341-320-10	10 69
1593-341-003-20	11 16 9 12 11 11	1608-341-003-20	12 4 10 11 12 10	1608-341-330-00	12 68 10 21 12 20
1593-341-004-20	9 15 11 14	1608-341-006-10	10 18 12 17	2100-401-001-00 2500-901-014-30	5 7 14 11
1593-341-005-10	9 7 11 6	1608-341-008-00	10 23 12 22	3517-205-007-00	10 25 12 24
1593-341-006-00	9 9 11 8	1608-341-012-00	10 57 12 56	3610-631-002-00	9 44 11 43
1593-341-008-00	9 33	1608-341-013-00	10 63	3615-820-003-00	5 8
1593-341-009-00	10 72 11 32 12 71 9 34 10 73	1608-341-014-10 1608-341-015-00	12 62 10 64 12 63 10 65 12 64	3615-820-240-10 3621-702-003-00 3656-271-290-10 3664-276-001-00	4 6 3 18A 3 27A 13 2 9 46
1593-341-012-10	11 33 12 72 9 51 10 74 11 50	1608-341-016-00 1608-341-021-10 1608-341-023-00	10 67 12 66 10 40 12 39 10 35	3728-552-008-00	10 29 11 45 12 28 10 44 12 43
1593-341-013-00	12 73 9 5 11 4	1608-341-025-10	12 34 10 47 12 46	3737-122-001-00 3737-233-006-00	10 16 12 15 3 7
1593-341-014-00	9 8 11 7	1608-341-026-00	10 6 12 5	3737-313-005-00 4106-105-303-00	3 4 9 43

SBC350

PART CODE	FIG. KEY	PART CODE	FIG. KEY	PART CODE	FIG. KEY
4106-105-303-00	10 33 11 42 12 32	8596-211-200-60 8596-211-200-70 8596-211-210-40	5 1 5 1A 5 3	V111-163-002-00 V112-166-002-00 V120-366-001-60	12 29 8 5 8 17A
4301-210-002-00	7 2	8596-211-230-00	5 6	V200-260-601-60	8 8
4342-909-001-20	14 5	8596-212-001-20	6 12		8 12
7957-501-004-00	6 2 6 4	8596-212-002-20 8596-212-003-20	6 13 6 6	V200-260-602-00 V200-261-001-20	8 13 9 21
8592-011-204-00	1 9 2 9	8596-212-005-20	6 14	V201-260-602-50	11 20 8 14
8595-901-002-00	14 2	8596-212-200-40	6 1	V201-260-804-00	6 17
8595-902-001-10	14 4	8596-212-210-40	6 3	V201-260-805-00	10 41
8595-903-001-00	14 3	8596-212-220-40	6 5		12 40
8596-111-200-40	1 1	8596-212-230-30	6 8	V201-260-807-00	6 18
8596-111-210-40	1 3	8596-212-230-40	6 8A	V210-260-601-20	10 7
8596-111-220-10	1 5	8596-212-240-20	6 11		12 6
8596-111-221-00	2 5 1 6 2 6	8596-213-001-30 8596-213-002-10 8596-213-003-10	7 10 7 4 7 3	V210-260-602-50 V210-360-601-20	9 32 11 31 10 22
8596-111-222-00	1 7 2 7	8596-213-200-30 8596-213-200-40	7 1 7 1A	V210-360-601-60	12 21 13 4
8596-111-223-00	1 8 2 8	8596-214-003-00 8596-214-004-00	7 15 7 16	V211-260-801-60	1 12 1 15
8596-111-230-20	1 14 2 14	8596-214-200-20 8596-214-220-00	7 14 7 13		2 12 2 15
8596-111-240-20	1 11	8596-311-002-30	8 16		3 10
8596-111-510-00	2 11 2 1	8596-311-003-00 8596-311-004-00	8 18 8 10	V211-260-802-00	5 2 10 55
8596-111-520-00	2 3	8596-311-005-00	8 11		10 60
8596-112-001-30	3 11	8596-311-005-10	8 11A		12 54
8596-112-001-40	3 11A	8596-311-006-00	8 2		12 59
8596-112-002-20	3 12 3 21	8596-311-200-30 8596-311-200-40	8 1 8 1A	V211-260-803-00	10 56 12 55
8596-112-003-20	3 13	8596-311-212-00	8 7	V211-260-804-00	9 38
8596-112-005-20	3 22	8596-311-213-00	8 3		11 37
8596-112-007-00	3 30	8596-319-001-10	8 19	V211-260-805-00	9 28
8596-112-200-40	3 1	8596-621-200-10	13 1		11 27
8596-112-210-20	3 3	8596-911-001-10	14 7	V211-261-002-50	10 51
8596-112-220-40	3 9	8596-914-001-00	14 8		12 50
8596-112-220-50	3 9A	8596-914-002-00	14 9	V211-561-002-00	1 2
8596-113-200-40	4 1	8650-910-003-00	14 6		1 4
8596-113-200-50	4 1A	8654-901-002-00	14 12		2 2
8596-113-200-60	4 1B	8654-904-003-00	14 10		2 4
8596-113-210-50	4 3	V111-163-002-00	9 47		10 8
8596-113-230-70	4 5		10 30		10 49
8596-113-230-80	4 5A		11 46		12 7

PART CODE	FIG. KEY	PART CODE	FIG. KEY	PART CODE	FIG. KEY
V211-561-002-00	12 48	V401-160-010-00	10 13	V600-110-620-30	9 3
V273-160-601-20	8 17		10 20		11 2
V304-260-008-00	3 8		11 26	V600-150-620-20	10 9
	3 17		12 12		12 8
	3 25		12 19	V600-150-620-50	3 14
	6 15	V401-160-012-00	3 19		3 23
	7 6		3 28	V654-418-221-60	10 66
	10 43	V411-260-003-00	9 49		12 65
	10 45		10 32	V682-200-001-00	9 19
	12 42		11 48		11 18
V304-260-010-00	12 44	V411-260-005-00	12 31	V704-140-012-00	10 15
V304-260-012-00	5 4	V411-260-008-00	8 4	V704-140-015-00	12 14
	3 20		7 7		3 5
	3 29		9 40		10 17
V331-460-010-00	9 26		10 36		10 39
	10 12		10 42		12 16
	10 19		11 39		12 38
	11 25		12 35	V704-140-020-00	9 14
	12 11		12 41		11 13
	12 18	V411-260-010-00	7 12	V704-140-025-00	3 18
V360-260-006-00	8 6	V500-162-501-50	10 37		3 27
	8 9		12 36	V704-140-035-00	9 11
	8 15	V500-162-502-00	7 9		11 10
V361-260-006-00	4 7	V500-163-001-50	9 41	V705-140-020-00	1 10
V363-260-008-00	1 13		11 40		2 10
	2 13	V500-163-002-50	10 26	V705-140-035-00	9 24
	3 2		12 25		10 10
	4 2	V580-140-502-50	10 68		11 23
	4 4		12 67		12 9
	9 50	V600-110-600-40	9 6	V705-140-052-00	3 15
V363-260-010-00	10 34		9 13		3 24
	11 49		10 62	V720-101-901-00	9 22
	12 33		10 70		11 21
	6 7		11 5	V720-102-401-50	10 3
	6 10		11 12		12 2
V401-160-003-00	9 48		12 61	V721-103-105-00	9 35
	10 31	V600-110-600-70	12 69		11 34
	11 47		9 10	V744-112-250-70	9 30
	12 30		9 18		11 29
V401-160-008-00	3 16		10 71	V744-120-350-70	10 54
	3 26		11 9		12 53
	6 16		11 17	V744-135-550-80	9 29
	7 8		12 70		10 58
V401-160-010-00	5 5	V600-110-620-20	9 23		11 28
	9 27		11 22		12 57

ALPHABETICAL INDEX

SSM48

DESCRIPTION	FIG. KEY	DESCRIPTION	FIG. KEY
ARM, FRONT COMP	11 1	BRACKET, CASE COMP	8 17
ARM, TENSION ASSY	7 2	BUSH/16X18X20	7 3
BEARING, BALL	5 10	BUSH/16X24X21	10 4
BEARING, BALL	5 14	CABLE, LIFT COMP	12 21
BEARING, BALL	8 7	CASE, BEVEL	5 1
BEARING, BALL	8 6B	CASE, BEVEL	6 1
BEARING, RB	8 6	CASE, BEVEL	6 2
BEARING, RB/6203	5 13A	CE(SSM48) SET	18 1
BEARING, RB/6203	8 6A	CIRCLIP	2 19
BEARING, RB/6203	5 13	CIRCLIP	2 24
BEARING, RB/6205SS	4 3	CIRCLIP	2 30
BEARING, RB/6205SS	6 9	CIRCLIP	2 35
BEARING, RB/6205SS	6 18	CIRCLIP	3 6
BEARING, RB/6302S	6 13	CIRCLIP	3 11
BELT, V/B091	8 1	CIRCLIP	3 17
BLADE/50X426	8 23	CIRCLIP	3 22
BLADE/50X429	8 26	CLIP, PIN	10 6
BOLT, S/M10X30	14 8	CLIP, PIN	10 9
BOLT, S/M10X30	14 16	COLLAR/17X25X73	6 15
BOLT, S/M10X45	14 6	COVER, BELT/LH	9 7
BOLT, S/M10X45	14 14	COVER, BELT/RH	9 8
BOLT, S/M6X12	8 4	COVER, CASE	6 3
BOLT, S/M8X16	5 6	COVER, DISCHARGE COMP	9 4
BOLT, S/M8X20	6 5	COVER, PTO/M/LH	15 4
BOLT, SP/M8X20	5 5	COVER, PTO/M/RH	15 15
BOLT, SP/M8X20	8 21	CRANK, LIFT/3P COMP	13 1
BOLT, SP/M8X20	8 22	CRANK, LIFT/LH COMP	14 1
BOLT/M10X20	8 18	CRANK, LIFT/RH COMP	14 9
BOLT/M12X15	15 2	DECK, MOWER/48 COMP	9 1
BOLT/M12X25	15 13	DECK, MOWER/48 COMP	9 2
BOLT/M12X30	4 20	FORK, WHEEL	10 1
BOLT/M12X30	12 6	GASKET, CASE	5 3
BOLT/M12X30	12 9	GEAR, BEVEL/16-28SET	5 11
BOLT/M12X45	11 13	GEAR/16T	6 14
BOLT/M12X45	12 16	GEAR/28T	6 10
BOLT/M12X45	12 19	HOLDER, CABLE/LH COMP	13 7
BOLT/M12X55	13 8	HOLDER, CABLE/LH COMP	14 7
BOLT/M12X55	13 11	HOLDER, CABLE/RH COMP	13 10
BOLT/M8X16	15 11	HOLDER, CABLE/RH COMP	14 15
BOLT/M8X16	15 20	HOLDER, COUNTER COMP	4 1
BOLT/M8X20	15 9	HUB, BLADE	8 10
BOLT/M8X20	15 18	HUB/17X25X18	8 11A
BRACKET, CABLE/LH	12 15	HUB/18X22X20	8 11
BRACKET, CABLE/RH	12 18	HUB/20X30X50	13 2
BRACKET, CASE COMP	8 16	HUB/20X30X50	14 2

SSM48

DESCRIPTION	FIG. KEY	DESCRIPTION	FIG. KEY
HUB/20X30X50	14 10	LABEL, DISCHARGE/D	16 3
JOINT, CABLE COMP	13 13	LABEL, DISCHARGE/D	17 3
JOINT, CABLE COMP	14 17	LABEL, DISCHARGE/F	16 12
JOINT, UNIVERSAL SET	1 1	LABEL, DISCHARGE/F	17 11
JOINT, UNIVERSAL SET	4 5	LABEL, DISCHARGE/I	16 31
JOINT, UNIVERSAL SET	2 1	LABEL, GAUGE WHEEL	16 26
JOINT, UNIVERSAL ASSY	1 16	LABEL, GAUGE WHEEL/D	16 5
JOINT, UNIVERSAL ASSY	1 17	LABEL, GAUGE WHEEL/D	17 4
JOINT, UNIVERSAL SET	2 25	LABEL, GAUGE WHEEL/F	16 10
JOINT, UNIVERSAL SET	3 1	LABEL, GAUGE WHEEL/F	17 12
JOINT, UNIVERSAL SET	2 14	LABEL, GAUGE WHEEL/I	16 33
JOINT, UNIVERSAL SET	3 12	LABEL, MAINTENANCE	17 8
JOURNAL CROSS ASSY	2 17	LABEL, MODEL/SSM48	16 1
JOURNAL CROSS ASSY	2 22	LABEL, MODEL/SSM48	16 22
JOURNAL CROSS ASSY	2 28	LABEL, MODEL/SSM48	17 1
JOURNAL CROSS ASSY	2 33	LABEL, NOISE/LWA/105	16 4
JOURNAL CROSS ASSY	3 4	LABEL, NOISE/LWA/105	16 18
JOURNAL CROSS ASSY	3 9	LABEL, NOISE/LWA/105	16 29
JOURNAL CROSS ASSY	3 15	LABEL, NOISE/LWA/105	18 5
JOURNAL CROSS ASSY	3 20	LABEL, NOISE/LWA/105	16 13
JOURNAL KIT	1 3	LABEL, SSM48 SET	18 2
JOURNAL KIT	1 11	LABEL, W/MUFFLER	16 27
JOURNAL KIT	1 20	LABEL, WARNING/BELT	16 6
JOURNAL KIT	2 3	LABEL, WARNING/BELT	16 14
JOURNAL KIT	2 11	LABEL, WARNING/BELT	16 20
JOURNAL KIT	4 7	LABEL, WARNING/BELT	16 30
JOURNAL KIT	4 15	LABEL, WARNING/BELT	17 5
LABEL	16 16	LABEL, WARNING/DISCHA	16 25
LABEL	17 13	LABEL, WARNING/HOT	16 7
LABEL	16 17	LABEL, WARNING/HOT	17 6
LABEL	17 14	LABEL, WARNING/HOT	17 16
LABEL, CE	16 2A	LABEL, WARNING/KNIFE	16 23
LABEL, COUTION/BELT	16 24	LABEL, WHEEL GAUGE/E	16 19
LABEL, COUTION/DAYCHA	16 9	LABEL, WHEEL GAUGE/E	17 15
LABEL, COUTION/DAYCHA	16 15	LABEL/CE	16 11A
LABEL, COUTION/DAYCHA	16 21	LABEL/CE	16 16A
LABEL, COUTION/DAYCHA	16 32	LABEL/CE	16 28
LABEL, COUTION/DAYCHA	17 9	LABEL/CE	17 2A
LABEL, DAINGER	17 7	LABEL/CE	17 10A
LABEL, DAINGER	18 4	LABEL/CE	17 13A
LABEL, DANGER	16 8	LABEL/CE	18 3
LABEL, DANGER/D	16 2	LINK, FRONT COMP	11 4
LABEL, DANGER/D	17 2	LINK, LIFT COMP	12 1
LABEL, DANGER/F	16 11	LINK, LIFT COMP	12 11
LABEL, DANGER/F	17 10	LINK, LIFT COMP	12 11A

DESCRIPTION	FIG. KEY	DESCRIPTION	FIG. KEY
METAL	8 2	PIN, SPRING/6 X32 W	4 18
METAL	8 2A	PIN, STOPPER ASSY	9 3
NIPPLE, GREASE	2 18	PIN, TENSION	11 5
NIPPLE, GREASE	2 23	PIN/08X44	10 8
NIPPLE, GREASE	2 29	PIN/12X104	10 5
NIPPLE, GREASE	2 34	PIN/12X108	10 5A
NIPPLE, GREASE	3 5	PIN/14X73	1 5
NIPPLE, GREASE	3 10	PIN/14X73	1 22
NIPPLE, GREASE	3 16	PIN/14X73	2 5
NIPPLE, GREASE	3 21	PIN/14X73	4 9
NIPPLE, GREASE	8 3	PIN/15X49	12 12
NUT	8 19	PIN/15X60	11 10
NUT, LOCK/M10	10 12	PIN/15X75	12 2
NUT, LOCK/M8	9 5	PIN/16X88	10 10
NUT, LOCK/M8	9 9	PIN/16X94	10 10A
NUT, LOCK/M8	9 11	PIN/60 COMP	11 9
NUT, LOCK/M8	10 6A	PLATE, BOSS/LH COMP	14 5
NUT, LOCK/M8	15 10	PLATE, BOSS/LH COMP	14 13
NUT, LOCK/M8	15 19	PLATE, HOLDER/LH COMP	12 5
NUT, LOCK/M8	18 7	PLATE, HOLDER/RH COMP	12 8
NUT/M10	12 3	PLATE, I/25X200	15 5
NUT/M12	13 6	PLATE, I/25X304	15 6
NUT/M14	8 12	PLATE, I/25X455	15 7
NUT/M20	11 8	PLATE, I/25X455	15 16
NUT/M8	7 10	PLATE, LOWER/LH	15 8
NUT/M8	8 14	PLATE, LOWER/RH	15 17
PIN, HAIR	11 3	PLATE, SPACER	11 12
PIN, HAIR	11 7	PLATE, Z/100/100	15 12
PIN, SPLIT/2.5X15	1 8	PLATE/I-108X112	5 2
PIN, SPLIT/2.5X15	1 25	PLATE/PIN COMP	11 11
PIN, SPLIT/2.5X15	2 8	PLUG	5 4
PIN, SPLIT/2.5X15	4 12	PLUG	6 4
PIN, SPLIT/3 X15	13 17	PULLEY, FT/85X22 COMP	7 4
PIN, SPLIT/3 X15	14 21	PULLEY, VB120 COMP	8 5
PIN, SPLIT/3 X25	10 7	PULLEY/VB120 COMP	7 1
PIN, SPLIT/3 X30	10 11	PULLEY/VB120 COMP	8 5A
PIN, SPLIT/3 X40	13 4	RING, SNAP/16 C	7 6
PIN, SPLIT/3 X40	13 16	RING, SNAP/17 C	7 5
PIN, SPLIT/3 X40	14 4	RING, SNAP/20 C	1 4
PIN, SPLIT/3 X40	14 12	RING, SNAP/20 C	1 12
PIN, SPLIT/3 X40	14 20	RING, SNAP/20 C	1 21
PIN, SPRING/6 X25 W	6 16	RING, SNAP/20 C	2 4
PIN, SPRING/6 X32 W	1 14	RING, SNAP/20 C	2 12
PIN, SPRING/6 X32 W	1 30	RING, SNAP/20 C	4 8
PIN, SPRING/6 X32 W	2 36	RING, SNAP/20 C	4 16

SSM48

DESCRIPTION	FIG. KEY	DESCRIPTION	FIG. KEY
RING, SNAP/40 C	8 8	WASHER, SP/M 8	8 15
RING, SNAP/47 C	5 9	WASHER, SP/M10	8 20
RING, SNAP/47 C	5 15	WASHER, SP/M10	12 4
RING, SNAP/47 C	8 9	WASHER, SP/M10	12 14
RING, SNAP/52 C	4 4	WASHER, SP/M12	4 21
RING, SNAP/52 C	6 8	WASHER, SP/M12	11 14
RING, SNAP/52 C	6 19	WASHER, SP/M12	12 7
ROD, CHAIN TENSION	7 9	WASHER, SP/M12	12 10
ROD, CHAIN TENSION	9 10	WASHER, SP/M12	12 17
ROD, CHAIN TENSION	18 6	WASHER, SP/M12	12 20
SEAL, OIL/TC25478	5 8	WASHER, SP/M12	13 5
SEAL, OIL/TC25478	5 16	WASHER, SP/M12	13 9
SEAL, OIL/TC255210	6 7	WASHER, SP/M12	13 12
SEAL, OIL/TC255210	6 20	WASHER, SP/M12	15 3
SHAFT	5 12	WASHER, SP/M12	15 14
SHAFT, COUNTER	4 2	WASHER, SP/M14	8 13
SHAFT, DRIVE	6 11	WASHER/14X55X05	8 25
SHAFT, DRIVE	6 12	WASHER/14X55X05	8 28
SHAFT, INPUT	5 7	WASHER/M10	12 13
SHAFT, INPUT	6 6	WASHER/M20	13 3
SHAFT, YOKE ASSY	2 31	WASHER/M20	14 3
SHAFT, YOKE ASSY	3 7	WASHER/M20	14 11
SHAFT, YOKE ASSY	2 20	WHEEL, GAUGE ASSY	10 3
SHIM/0.2	5 18	WHEEL, GAUGE FRONT	10 2
SHIM/0.5	5 17	YOKE FITING	2 21
SHIM/1.2	8 24	YOKE FITING	2 32
SHIM/1.2	8 27	YOKE FITING	3 19
SPRING, CHAIN TENSION	7 8	YOKE SHAFT ASSY	3 18
SPRING, CLUTCH RETURN	9 6	YOKE, AS ASSY	2 16
SPRING/HC12X38	1 6	YOKE, AS ASSY	2 27
SPRING/HC12X38	1 23	YOKE, AS ASSY	3 3
SPRING/HC12X38	2 6	YOKE, AS ASSY	3 14
SPRING/HC12X38	4 10	YOKE, FITING	3 8
STAY, UPPER/LH COMP	15 1	YOKE, SLEEVE	1 13
WASHER	7 7	YOKE, SLEEVE	2 13
WASHER / M16	11 2	YOKE, SLEEVE	4 17
WASHER / M16	11 6	YOKE, SLEEVE	1 26
WASHER / M16	13 15	YOKE, SLEEVE	1 27
WASHER / M16	14 19	YOKE, SLEEVE SHAFT	1 9
WASHER, PL/M 8	1 7	YOKE, SLEEVE SHAFT	4 13
WASHER, PL/M 8	1 24	YOKE, SLEEVE SHAFT	1 28
WASHER, PL/M 8	2 7	YOKE, SLEEVE SHAFT	1 29
WASHER, PL/M 8	4 11	YOKE, SLEEVE SHAFT	2 9
WASHER, PL/M 8	13 14	YOKE, SPLINE	2 26
WASHER, PL/M 8	14 18	YOKE, SPLINE	3 2

DESCRIPTION	FIG. KEY	DESCRIPTION	FIG. KEY
YOKE, SPLINE	2 15		
YOKE, SPLINE	3 13		
YOKE, SPLINE B	1 10		
YOKE, SPLINE B	1 19		
YOKE, SPLINE B	2 10		
YOKE, SPLINE B	4 14		
YOKE, SPLINE/A	1 2		
YOKE, SPLINE/A	1 18		
YOKE, SPLINE/A	2 2		
YOKE, SPLINE/A	4 6		

ALPHABETICAL INDEX

SRM48

DESCRIPTION	FIG. KEY	DESCRIPTION	FIG. KEY
ARM, FRONT COMP	9 3	CLIP, PIN	8 6
ARM, TENSION ASSY	5 2	CLIP, PIN	8 9
BEARING, BALL	3 13A	COLLAR/17X25X71	4 15
BEARING, BALL	3 10	COVER, CASE	4 3
BEARING, BALL	3 14	COVER, VELT/LH COMP	7 8
BEARING, BALL	6 6	COVER, VELT/RH COMP	7 10
BEARING, BALL	6 6A	CRANK, LIFT/3P COMP	11 1
BEARING, BALL	6 7	CRANK, LIFT/LH COMP	12 1
BEARING, BALL	6 6B	CRANK, LIFT/RH COMP	12 9
BEARING, BALL/6203	3 13	DECK, MOWER/48 COMP	7 1
BEARING, RB/6205SS	4 9	DECK, MOWER/48/U COMP	7 12
BEARING, RB/6205SS	4 18	FORK, WHEEL	8 1
BEARING, RB/6302S	4 13	GASKET, CASE	3 3
BELT, V/B091	6 1	GEAR, BEVEL/16-28SET	3 11
BLADE/50X429	6 24	GEAR/16T	4 14
BOLT	6 19	GEAR/28T	4 10
BOLT, S/M10X30	12 8	GUIDE COMP	7 3
BOLT, S/M10X30	12 16	HOLDER, CABLE/LH COMP	11 7
BOLT, S/M10X45	12 6	HOLDER, CABLE/LH COMP	12 7
BOLT, S/M10X45	12 14	HOLDER, CABLE/RH COMP	11 10
BOLT, S/M6X12	6 4	HOLDER, CABLE/RH COMP	12 15
BOLT, S/M8X16	3 6	HUB, BLADE	6 10
BOLT, S/M8X20	4 5	HUB/17X25X18	6 11A
BOLT, SP/M8X20	3 5	HUB/18X22X20	6 11
BOLT, SP/M8X20	6 22	HUB/20X30X50	11 2
BOLT, SP/M8X20	6 23	HUB/20X30X50	12 2
BOLT/M12X45	9 12	HUB/20X30X50	12 10
BOLT/M12X45	10 6	JOINT, CABLE COMP	11 13
BOLT/M12X45	10 9	JOINT, CABLE COMP	12 17
BOLT/M12X55	11 8	JOINT, UNIVERSAL SET	1 1
BOLT/M12X55	11 11	JOINT, UNIVERSAL ASSY	1 16
BRACKET, CABLE/LH	10 5	JOINT, UNIVERSAL ASSY	1 17
BRACKET, CABLE/RH	10 8	JOINT, UNIVERSAL SET	2 1
BRACKET, CASE COMP	6 17	JOINT, UNIVERSAL SET	2 25
BRACKT, CASE COMP	6 16	JOINT, UNIVERSAL SET	2 14
BUSH/16X18X20	5 3	JOURNAL CROSS ASSY	2 17
BUSH/16X24X21	8 3	JOURNAL CROSS ASSY	2 22
CABLE, LIFT COMP	10 11	JOURNAL CROSS ASSY	2 28
CASE, BEVEL	3 1	JOURNAL CROSS ASSY	2 33
CASE, BEVEL	4 1	JOURNAL KIT	1 3
CASE, BEVEL	4 2	JOURNAL KIT	1 11
CIRCLIP	2 19	JOURNAL KIT	1 20
CIRCLIP	2 24	JOURNAL KIT	2 3
CIRCLIP	2 30	JOURNAL KIT	2 11
CIRCLIP	2 35	LABEL	13 11

DESCRIPTION	FIG. KEY	DESCRIPTION	FIG. KEY
LABEL, DANGER	13 7	PIN, SPLIT/2. 5X15	2 8
LABEL, DANGER	13 15	PIN, SPLIT/3 X15	11 17
LABEL, DANGER/D	13 2	PIN, SPLIT/3 X15	12 21
LABEL, DANGER/F	13 8	PIN, SPLIT/3 X40	11 4
LABEL, GAUGE WHEEL	13 16	PIN, SPLIT/3 X40	11 16
LABEL, GAUGE WHEEL/D	13 3	PIN, SPLIT/3 X40	12 4
LABEL, GAUGE WHEEL/F	13 9	PIN, SPLIT/3 X40	12 12
LABEL, MAINTENANCE	13 17	PIN, SPLIT/3 X40	12 20
LABEL, MODEL/SRM48	13 1	PIN, SPLIT/3X25	8 7
LABEL, MODEL/SRM48	13 14	PIN, SPLIT/3X30	8 11
LABEL, NOISE/LWA/105	13 4	PIN, SPRING W/6X25	4 16
LABEL, NOISE/LWA/105	13 10	PIN, SPRING W/6X32	1 14
LABEL, NOISE/LWA/105	13 13	PIN, SPRING W/6X32	1 30
LABEL, WARNING/BELT	13 5	PIN, SPRING W/6X32	2 36
LABEL, WARNING/HOT	13 6	PIN, STOPPER ASSY	7 2
LABEL, WHEEL GAUGE/E	13 12	PIN/08X44	8 8
LABEL/CE	13 2A	PIN/12X104	8 5
LABEL/CE	13 8A	PIN/12X108	8 5A
LABEL/CE	13 11A	PIN/14X73	1 5
LINK, FRONT COMP	9 6	PIN/14X73	1 22
LINK, LIFT COMP	10 1	PIN/14X73	2 5
LINK, LIFT COMP	10 1A	PIN/15X49	10 2
METAL	6 2	PIN/15X60	9 2
METAL	6 2A	PIN/16X88	8 10
NIPPLE, GREASE	2 18	PIN/16X94	8 10A
NIPPLE, GREASE	2 23	PIN/60 COMP	9 1
NIPPLE, GREASE	2 29	PLATE	6 18
NIPPLE, GREASE	2 34	PLATE	7 5
NIPPLE, GREASE	6 3	PLATE COMP	7 7
NUT, LOCK/M10	8 12	PLATE, BOSS/LH COMP	12 5
NUT, LOCK/M8	7 4	PLATE, BOSS/LH COMP	12 13
NUT, LOCK/M8	7 6	PLATE, I/108X112	3 2
NUT, LOCK/M8	7 9	PLATE, SPACER	9 11
NUT, LOCK/M8	7 11	PLATE/PIN COMP	9 10
NUT, LOCK/M8	8 6A	PLUG	3 4
NUT/M10	6 20	PLUG	4 4
NUT/M12	11 6	PULLEY, FT/85X22 COMP	5 7
NUT/M14	6 12	PULLEY/VB120 COMP	5 1
NUT/M20	9 9	PULLEY/VB120 COMP	6 5
NUT/M8	5 11	PULLEY/VB120 COMP	6 5A
NUT/M8	6 14	RING, SNAP C/16	5 6
PIN, HAIR	9 5	RING, SNAP C/17	5 8
PIN, HAIR	9 8	RING, SNAP C/20	1 4
PIN, SPLIT/2. 5X15	1 8	RING, SNAP C/20	1 12
PIN, SPLIT/2. 5X15	1 25	RING, SNAP C/20	1 21

SRM48

DESCRIPTION	FIG. KEY	DESCRIPTION	FIG. KEY
RING, SNAP C/20	2 4	WASHER/M20	12 11
RING, SNAP C/20	2 12	WASHER/M8	1 7
RING, SNAP C/40	6 8	WASHER/M8	1 24
RING, SNAP C/47	3 9	WASHER/M8	2 7
RING, SNAP C/47	3 15	WASHER/M8	11 14
RING, SNAP C/47	6 9	WASHER/M8	12 18
RING, SNAP C/52	4 8	WHEEL, GAUGE ASSY	8 2
RING, SNAP C/52	4 19	WHEEL, GAUGE FRONT	8 4
ROD, CHAIN TENSION	5 10	YOKE FITING	2 21
SEAL, OIL/TC25478	3 8	YOKE FITING	2 32
SEAL, OIL/TC25478	3 16	YOKE SHAFT ASSY	2 31
SEAL, OIL/TC255210	4 7	YOKE SHAFT ASSY	2 20
SEAL, OIL/TC255210	4 20	YOKE, SLEEVE	1 13
SHAFT	3 12	YOKE, SLEEVE	2 13
SHAFT, DRIVE	4 11	YOKE, SLEEVE	1 26
SHAFT, DRIVE	4 12	YOKE, SLEEVE	1 27
SHAFT, INPUT	3 7	YOKE, SLEEVE SHAFT	1 9
SHAFT, INPUT	4 6	YOKE, SLEEVE SHAFT	1 28
SHIM/0.2	3 18	YOKE, SLEEVE SHAFT	1 29
SHIM/0.5	3 17	YOKE, SLEEVE SHAFT	2 9
SHIM/1.2	6 25	YOKE, SPLINE	2 26
SPRING, CHAIN TENSION	5 9	YOKE, SPLINE	2 15
SPRING/HC12X38	1 6	YOKE, SPLINE B	1 10
SPRING/HC12X38	1 23	YOKE, SPLINE B	1 19
SPRING/HC12X38	2 6	YOKE, SPLINE B	2 10
WASHER	5 5	YOKE, SPLINE/A	1 2
WASHER, SP/M10	6 21	YOKE, SPLINE/A	1 18
WASHER, SP/M10	10 4	YOKE, SPLINE/A	2 2
WASHER, SP/M12	9 13	YOKE/AS ASSY	2 16
WASHER, SP/M12	10 7	YOKE/AS ASSY	2 27
WASHER, SP/M12	10 10		
WASHER, SP/M12	11 5		
WASHER, SP/M12	11 9		
WASHER, SP/M12	11 12		
WASHER, SP/M14	6 13		
WASHER, SP/M8	6 15		
WASHER/14X55X05	6 26		
WASHER/M10	10 3		
WASHER/M16	5 4		
WASHER/M16	9 4		
WASHER/M16	9 7		
WASHER/M16	11 15		
WASHER/M16	12 19		
WASHER/M20	11 3		
WASHER/M20	12 3		

ALPHABETICAL INDEX

SBC350

DESCRIPTION	FIG. KEY	DESCRIPTION	FIG. KEY
ARM, SHIFT PTO COMP	9 31	BOLT, S/M8X16	2 12
ARM, SHIFT PTO COMP	11 30	BOLT, S/M8X16	2 15
ARM, TENSION	3 3	BOLT, S/M8X16	3 10
ARM, TENTION	10 14	BOLT, S/M8X20	5 2
ARM, TENTION	12 13	BOLT, S/M8X20	10 55
ARM/40	10 40	BOLT, S/M8X20	10 60
ARM/40	12 39	BOLT, S/M8X20	12 54
BAG, COLLECTOR COMP	7 14	BOLT, S/M8X20	12 59
BAG, COLLECTOR SET	7 13	BOLT, S/N6X16	7 2
BALL, STEEL	9 19	BOLT, SEMS	10 22
BALL, STEEL	11 18	BOLT, SEMS	12 21
BAND, WIRE/140	13 3	BOLT, SEMS	10 56
BEARING, RB/6004	9 6	BOLT, SEMS	12 55
BEARING, RB/6004	9 13	BOLT, SEMS	9 38
BEARING, RB/6004	10 62	BOLT, SEMS	11 37
BEARING, RB/6004	10 70	BOLT, SP/M6X16	13 4
BEARING, RB/6004	11 5	BOLT, WING/M6X12	8 17
BEARING, RB/6004	11 12	BOLT/M 8X40	6 17
BEARING, RB/6004	12 61	BOLT/M 8X50	10 41
BEARING, RB/6004	12 69	BOLT/M 8X50	12 40
BEARING, RB/6007	9 10	BOLT/M 8X70	6 18
BEARING, RB/6007	9 18	BOLT/M10X12	9 21
BEARING, RB/6007	10 71	BOLT/M10X12	11 20
BEARING, RB/6007	11 9	BOLT/M10X20	1 2
BEARING, RB/6007	11 17	BOLT/M10X20	1 4
BEARING, RB/6007	12 70	BOLT/M10X20	2 2
BEARING, RB/6202	9 23	BOLT/M10X20	2 4
BEARING, RB/6202	11 22	BOLT/M10X20	10 8
BEARING, RB/6202SS	10 9	BOLT/M10X20	10 49
BEARING, RB/6202SS	12 8	BOLT/M10X20	12 7
BEARING, RB/6203	9 3	BOLT/M10X20	12 48
BEARING, RB/6203	11 2	BOLT/M6X16	8 8
BEARING, RB/6205SS	3 14	BOLT/M6X16	8 12
BEARING, RB/6205SS	3 23	BOLT/M6X20	8 13
BELT, COG/VC031	10 23	BOLT/M6X25	8 14
BELT, COG/VC031	12 22	BOLT/M8X50	9 28
BELT, VB071	3 30	BOLT/M8X50	11 27
BOLT, S/M10X25	10 51	BUSH/12X14X20	10 53
BOLT, S/M10X25	12 50	BUSH/12X14X20	12 52
BOLT, S/M6X12	10 7	CASE, PTO/FRONT	9 2
BOLT, S/M6X12	12 6	CASE, PTO/FRONT	11 1
BOLT, S/M6X25	9 32	CASE, PTO/FRONT	10 52
BOLT, S/M6X25	11 31	CASE, PTO/FRONT	12 51
BOLT, S/M8X16	1 12	CASE, PTO/RAER	10 57
BOLT, S/M8X16	1 15	CASE, PTO/RAER	12 56

SBC350

DESCRIPTION	FIG. KEY	DESCRIPTION	FIG. KEY
CASE, PTO/REAR	9 17	GEAR/12T OUT	11 11
CASE, PTO/REAR	11 16	GEAR/16T	10 64
CASING COMP	4 1	GEAR/16T	12 63
CASING COMP	4 1A	GRIP, HANDLE	5 7
CASING COMP	4 1B	GUIDE, SHOOTER	8 11
CLUTCH, ONE-WAY	9 9	GUIDE, SHOOTER	8 11A
CLUTCH, ONE-WAY	11 8	GUIDE, SHOOTER	8 2
COLLAR/08X12X30	6 14	HORN ASSY	13 2
COLLAR/17X30X2	9 5	HOSE, SHOOTER	8 19
COLLAR/17X30X2	11 4	JOINT/UNIVERSAL	1 5
COLLAR/18X30X05	10 67	JOINT/UNIVERSAL	2 5
COLLAR/18X30X05	12 66	JOURNAL KIT	1 9
COLLAR/21X35X02	10 63	JOURNAL KIT	2 9
COLLAR/21X35X02	12 62	KNOB	9 43
COLLAR/48X57X3	9 8	KNOB	10 33
COLLAR/48X57X3	11 7	KNOB	11 42
COLLECTOR, SIDE/LH	6 1	KNOB	12 32
COLLECTOR, SIDE/RH	6 3	LABEL	14 3
CORRUGATED/28X1375	7 15	LABEL, DANGER	14 11
CORRUGATED/28X310	7 16	LABEL, DANGER/D	14 2
COVER, BELT	10 21	LABEL, DANGER/F	14 4
COVER, BELT	12 20	LABEL, DANGER/I	14 6
COVER, BELT	3 9	LABEL, MODEL ASSY	14 1
COVER, BELT COMP	3 9A	LABEL, MODEL/SBC350	14 7
COVER, DISCHARGE	4 3	LABEL, MODEL/SBC350	14 8
COVER, JOINT COMP	1 14	LABEL, PTO	9 51
COVER, JOINT COMP	2 14	LABEL, PTO	10 74
COVER, METAL	11 51	LABEL, PTO	11 50
FAN, PLATE COMP	4 5	LABEL, PTO	12 73
FAN, PLATE COMP	4 5A	LABEL, SHIELD/PTO	14 10
FORK, SHIFT PTO	9 16	LABEL, WARNING/BLADE	14 5
FORK, SHIFT PTO	11 15	LABEL, WARNING/WINDOW	14 9
FRAME, BLOWER	3 1	LABEL/PTO	14 12
FRAME, COLLECTOR/LH	1 1	LEVER, COLLECTOR/IN	5 6
FRAME, COLLECTOR/LH/J	2 1	LEVER, COLLECTOR/OUT	5 3
FRAME, COLLECTOR/RH	1 3	LEVER, PTO	9 42
FRAME, COLLECTOR/RH/J	2 3	LEVER, PTO	10 24
FRAME, OPEN/LH COMP	6 5	LEVER, PTO	12 23
FRAME, OPEN/RH COMP	6 8	LEVER/PTO COMP	9 42A
FRAME, OPEN/RH COMP	6 8A	LEVER/PTO COMP	11 41
GEAR, SPUR/17	9 15	LOCK	7 1
GEAR, SPUR/17	11 14	LOCK COMP	7 1A
GEAR, SPUR/28	9 7	METAL, PULLEY	3 12
GEAR, SPUR/28	11 6	METAL, PULLEY	3 21
GEAR/12T OUT	9 12	METAL, REAR PTO	10 5

DESCRIPTION	FIG. KEY	DESCRIPTION	FIG. KEY
METAL, REAR PTO	12 4	PIN, HAIR	6 2
NEEDLE, GAGE	10 66	PIN, HAIR	6 4
NEEDLE, GAGE	12 65	PIN, JOINT	7 4
NIPPLE, GREASE	10 4	PIN, PTO	9 34
NIPPLE, GREASE	12 3	PIN, PTO	10 73
NUT	5 4	PIN, PTO	11 33
NUT	3 20	PIN, PTO	12 72
NUT	3 29	PIN, SPLIT/2. 5X15	10 37
NUT	9 26	PIN, SPLIT/2. 5X15	12 36
NUT	10 12	PIN, SPLIT/2. 5X20	7 9
NUT	10 19	PIN, SPLIT/3 X15	9 41
NUT	11 25	PIN, SPLIT/3 X15	11 40
NUT	12 11	PIN, SPLIT/3 X25	10 26
NUT	12 18	PIN, SPLIT/3 X25	12 25
NUT	4 7	PIN, SPRING/5 X25 W	10 68
NUT, LOCK/M10	6 7	PIN, SPRING/5 X25 W	12 67
NUT, LOCK/M10	6 10	PIN/15X51	6 6
NUT, LOCK/M8	1 13	PIN/15X51	6 9
NUT, LOCK/M8	2 13	PIN/18X52	10 65
NUT, LOCK/M8	3 2	PIN/18X52	12 64
NUT, LOCK/M8	4 2	PIPE, COLLECTOR COMP	5 1
NUT, LOCK/M8	4 4	PIPE, COLLECTOR COMP	5 1A
NUT, LOCK/M8	9 50	PLATE	10 6
NUT, LOCK/M8	10 34	PLATE	12 5
NUT, LOCK/M8	11 49	PLATE	4 6
NUT, LOCK/M8	12 33	PLATE	7 10
NUT/M6	8 6	PLATE	8 10
NUT/M6	8 9	PLATE	8 7
NUT/M6	8 15	PLATE, IR/13X35	9 46
NUT/M8	3 8	PLATE, IR/13X35	10 29
NUT/M8	3 17	PLATE, IR/13X35	11 45
NUT/M8	3 25	PLATE, IR/13X35	12 28
NUT/M8	6 15	PLATE, RETURN	10 47
NUT/M8	7 6	PLATE, RETURN	12 46
NUT/M8	10 43	PLATE, UPPERCOLLECTOR	6 11
NUT/M8	10 45	PLATE/170X215	10 50
NUT/M8	12 42	PLATE/170X215	12 49
NUT/M8	12 44	PLUG	5 8
O-RING	9 22	PLUG	10 59
O-RING	11 21	PLUG	12 58
O-RING/G50	9 35	PTO(リヤ) SET	9 1A
O-RING/G50	11 34	PTO(リヤ) SET	10 1A
O-RING/P15	10 3	PTO, REAR SET	9 1
O-RING/P15	12 2	PTO, REAR SET	10 1
PIN, HAIR	7 11	PULLEY, 140/PTO	3 13

SBC350

DESCRIPTION	FIG. KEY	DESCRIPTION	FIG. KEY
PULLEY, 97/FAN	3 22	SCREW, SP/M6X16	8 17A
PULLEY, TENSION	10 16	SCREW/M3X20	9 47
PULLEY, TENSION	12 15	SCREW/M3X20	10 30
PULLEY, TENSION/45AS	3 4	SCREW/M3X20	11 46
PULLEY/VC100	10 11	SCREW/M3X20	12 29
PULLEY/VC100	12 10	SCREW/M6X20	8 5
PULLEY/VC135	10 18	SEAL, OIL/TC12257	9 30
PULLEY/VC135	12 17	SEAL, OIL/TC12257	11 29
REVE/S-S	8 3	SEAL, OIL/TC20357	10 54
RID, SHOOTER	8 16	SEAL, OIL/TC20357	12 53
RING, CIRCLIP	9 24	SEAL, OIL/TC35558	9 29
RING, CIRCLIP	10 10	SEAL, OIL/TC35558	10 58
RING, CIRCLIP	11 23	SEAL, OIL/TC35558	11 28
RING, CIRCLIP	12 9	SEAL, OIL/TC35558	12 57
RING, PTO	9 33	SENSOR, COLLECTOR	13 1
RING, PTO	10 72	SHAFT COMP	10 38
RING, PTO	11 32	SHAFT COMP	12 37
RING, PTO	12 71	SHAFT, INPUT	3 11
RING, SNAP/12 C	10 15	SHAFT, INPUT	3 11A
RING, SNAP/12 C	12 14	SHAFT, INPUT/PTO COMP	10 61
RING, SNAP/15 C	3 5	SHAFT, INPUT/PTO COMP	12 60
RING, SNAP/15 C	10 17	SHAFT, JOINT/PTO COMP	10 2
RING, SNAP/15 C	10 39	SHAFT, JOINT/PTO COMP	12 1
RING, SNAP/15 C	12 16	SHAFT, PTO	9 4
RING, SNAP/15 C	12 38	SHAFT, PTO	11 3
RING, SNAP/20 C	9 14	SHAFT, PTO COMP	10 69
RING, SNAP/20 C	11 13	SHAFT, PTO COMP	12 68
RING, SNAP/20 C	1 10	SHIM/0.2	9 37
RING, SNAP/20 C	2 10	SHIM/0.2	11 36
RING, SNAP/25 C	3 18	SHIM/0.7	9 36
RING, SNAP/25 C	3 27	SHIM/0.7	11 35
RING, SNAP/35 C	9 11	SHOOTER SET	8 1
RING, SNAP/35 C	11 10	SHOOTER SET	8 1A
RING, SNAP/52 C	3 15	SPRING	10 46
RING, SNAP/52 C	3 24	SPRING	12 45
ROD, CHAIN TENSION	3 7	SPRING, CLUTCH	3 6
ROD, LOCK	7 3	SPRING, PRESS/100	7 5
ROD, PTO/REAR COMP	9 39	SPRING, SHIFTER	9 20
ROD, PTO/REAR COMP	11 38	SPRING, SHIFTER	11 19
ROD, REAR PTO	10 35	SPRING, TENSION/46	10 48
ROD, REAR PTO	12 34	SPRING, TENSION/46	12 47
S. W	9 48	STAY ARM, HANGER	9 44
S. W	10 31	STAY ARM, HANGER	11 43
S. W	11 47	STAY, LEVER COMP	10 27
S. W	12 30	STAY, LEVER COMP	10 27A

DESCRIPTION	FIG. KEY	DESCRIPTION	FIG. KEY
STAY, LEVER COMP	12 26	YOKE, DOUBIE	2 8
STAY/244 COMP	1 11	YOKE, SHAFT	1 6
STAY/244 COMP	2 11	YOKE, SHAFT	2 6
SWITCH, LIMIT ASSY	9 45	YOKE, SPLINE	1 7
SWITCH, LIMIT ASSY	10 28	YOKE, SPLINE	2 7
SWITCH, LIMIT ASSY	11 44		
SWITCH, LIMIT ASSY	12 27		
TRIGGER, TENSION	10 44		
TRIGGER, TENSION	12 43		
TUBE, INSERT/A	6 12		
TUBE, INSERT/B	6 13		
WASHER	10 25		
WASHER	12 24		
WASHER	3 18A		
WASHER	3 27A		
WASHER, PL/M 8	7 7		
WASHER, PL/M 8	9 40		
WASHER, PL/M 8	10 36		
WASHER, PL/M 8	10 42		
WASHER, PL/M 8	11 39		
WASHER, PL/M 8	12 35		
WASHER, PL/M 8	12 41		
WASHER, PL/M5	8 4		
WASHER, SP/M 8	3 16		
WASHER, SP/M 8	3 26		
WASHER, SP/M 8	6 16		
WASHER, SP/M 8	7 8		
WASHER, SP/M10	5 5		
WASHER, SP/M10	9 27		
WASHER, SP/M10	10 13		
WASHER, SP/M10	10 20		
WASHER, SP/M10	11 26		
WASHER, SP/M10	12 12		
WASHER, SP/M10	12 19		
WASHER, SP/M12	3 19		
WASHER, SP/M12	3 28		
WASHER/09X24X02	8 18		
WASHER/10X20X2	9 25		
WASHER/10X20X2	11 24		
WASHER/M10	7 12		
WASHER/M3	9 49		
WASHER/M3	10 32		
WASHER/M3	11 48		
WASHER/M3	12 31		
YOKE, DOUBIE	1 8		