

## 130200 to 130299

# Illustrated Parts List

## Model Series

### 130200 to 130299

#### TYPE NUMBERS

1503, 1506,  
1515 through 1525  
1535 through 1543  
1549, 1570, 1571,  
1575, 1601, 1602,  
1610 through 1617  
1630 through 1939  
2100 through 2204  
2207, 2208,  
5101, 5102, 5111,  
5112,  
5130 through 5151

#### TO FIND

#### THE CORRECT NUMBER OF THE PART YOU NEED: FOLLOW THE INSTRUCTIONS BELOW

- A. Refer to Engine Model, Type and Code Number that is stamped on the blower housing of engine. Engine type numbers such as 0123 01 are listed only as 0123 in most instances. The two digits (01 or 02, etc.) to the right of the space may be required for more accurate parts identification in some instances. Select the Illustrated Parts List covering the correct Model Series and Type Number.
- B. Refer to the Illustrations and compare the original part with illustration. The number next to the illustration is the Reference Number. Assemblies include all parts shown in frames. All parts shown in assembly frames having individual reference numbers can be purchased separately.
- C. After the Reference Number has been identified, refer to the Numerical text, where Reference and Primary Part Number are listed. **THE PRIMARY PART IS USED ON ALL TYPE NUMBERS EXCEPT THOSE TYPE NUMBERS UNDER "NOTE."**
- D. If a "Note" appears below the Primary Part Number, it means that this part differs from the Primary Part for certain types. If your Type number is listed under "Note," order the part referred to at the "Note."
- E. If your Engine Type Number does not appear after any part number listed under "Note," use the Primary Part Number.
- F. For Engine Type Numbers not covered by this book, check other Parts Lists having the same engine model or contact your source of supply.

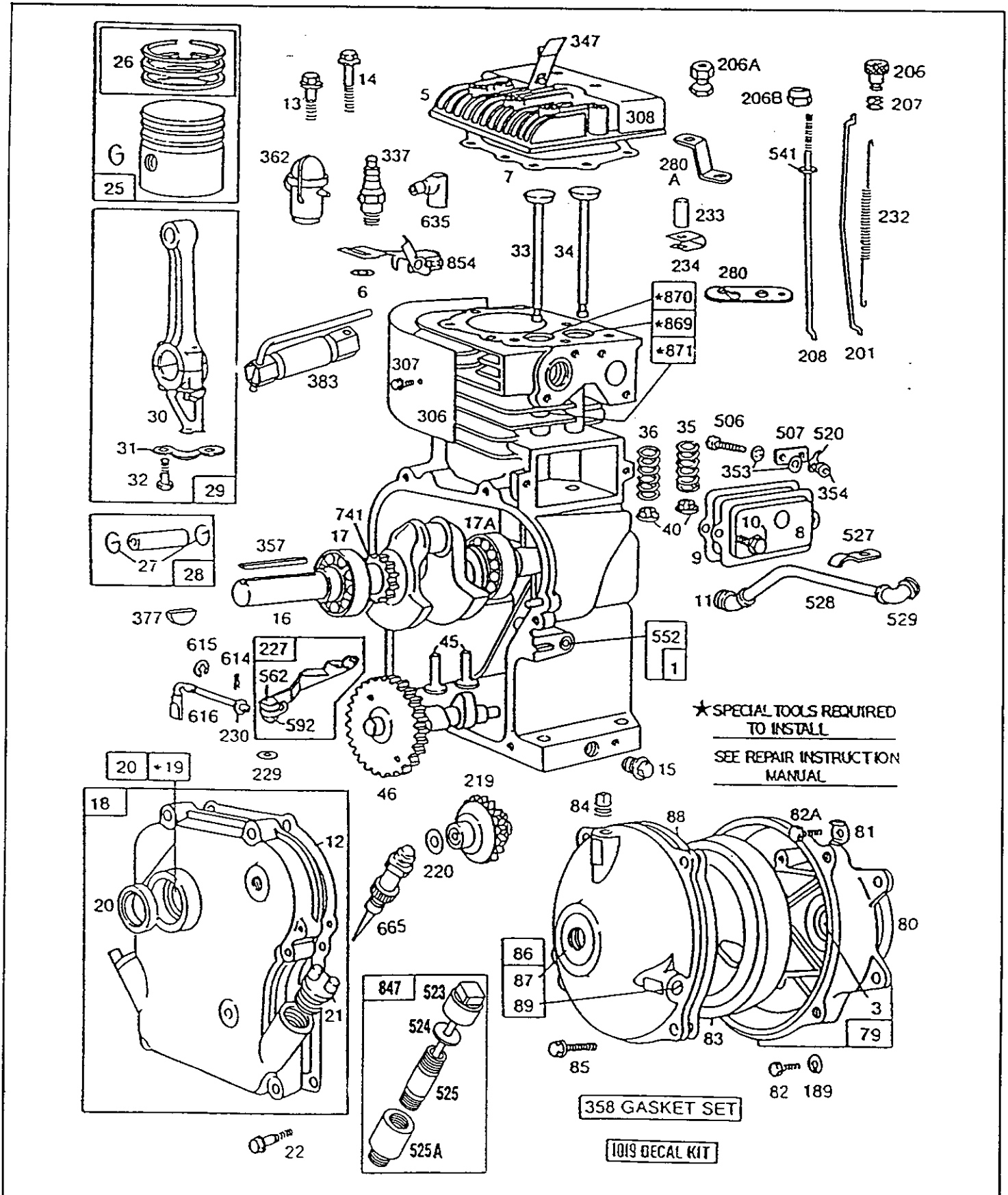
PRINTED IN U.S.A.

COPYRIGHT©

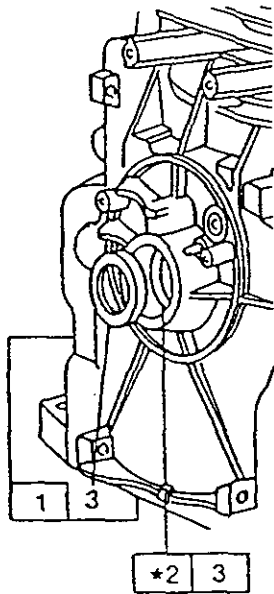
**BRIGGS & STRATTON**

®

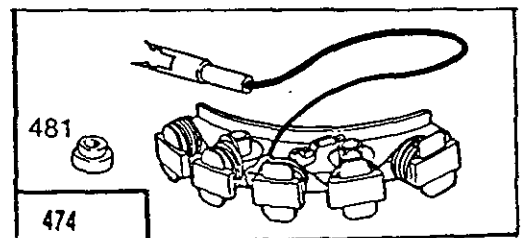
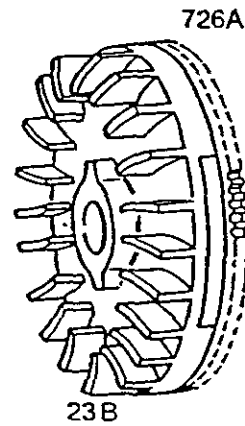
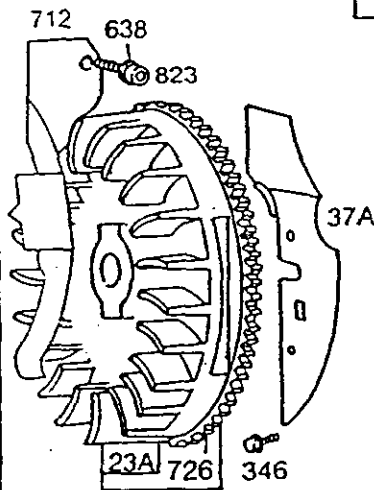
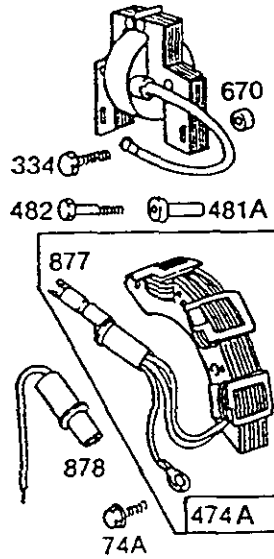
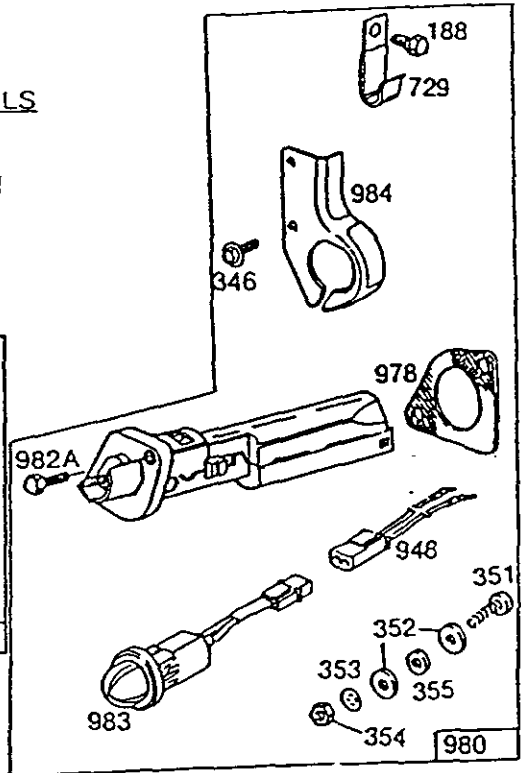
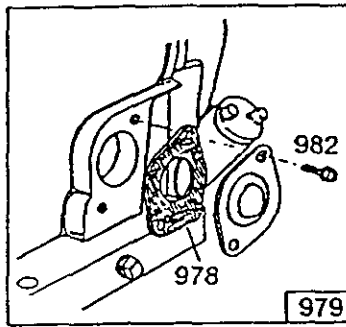
# 130200 to 130299



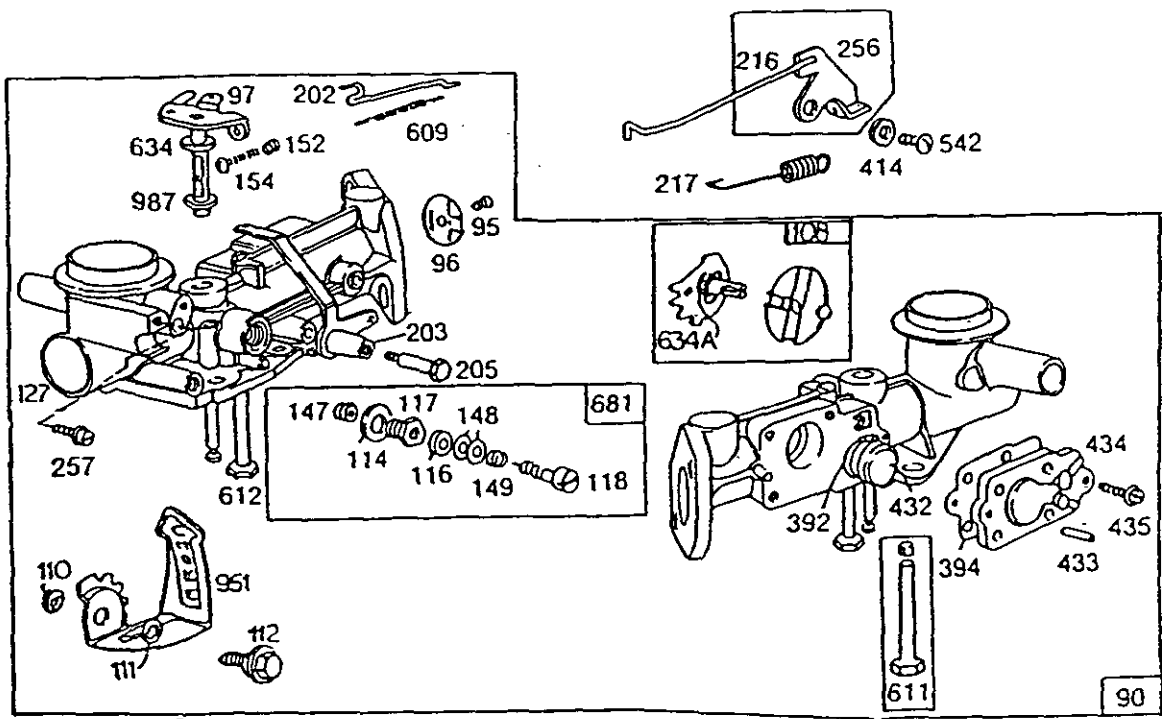
★ SPECIAL TOOLS REQUIRED TO INSTALL  
SEE REPAIR INSTRUCTION MANUAL



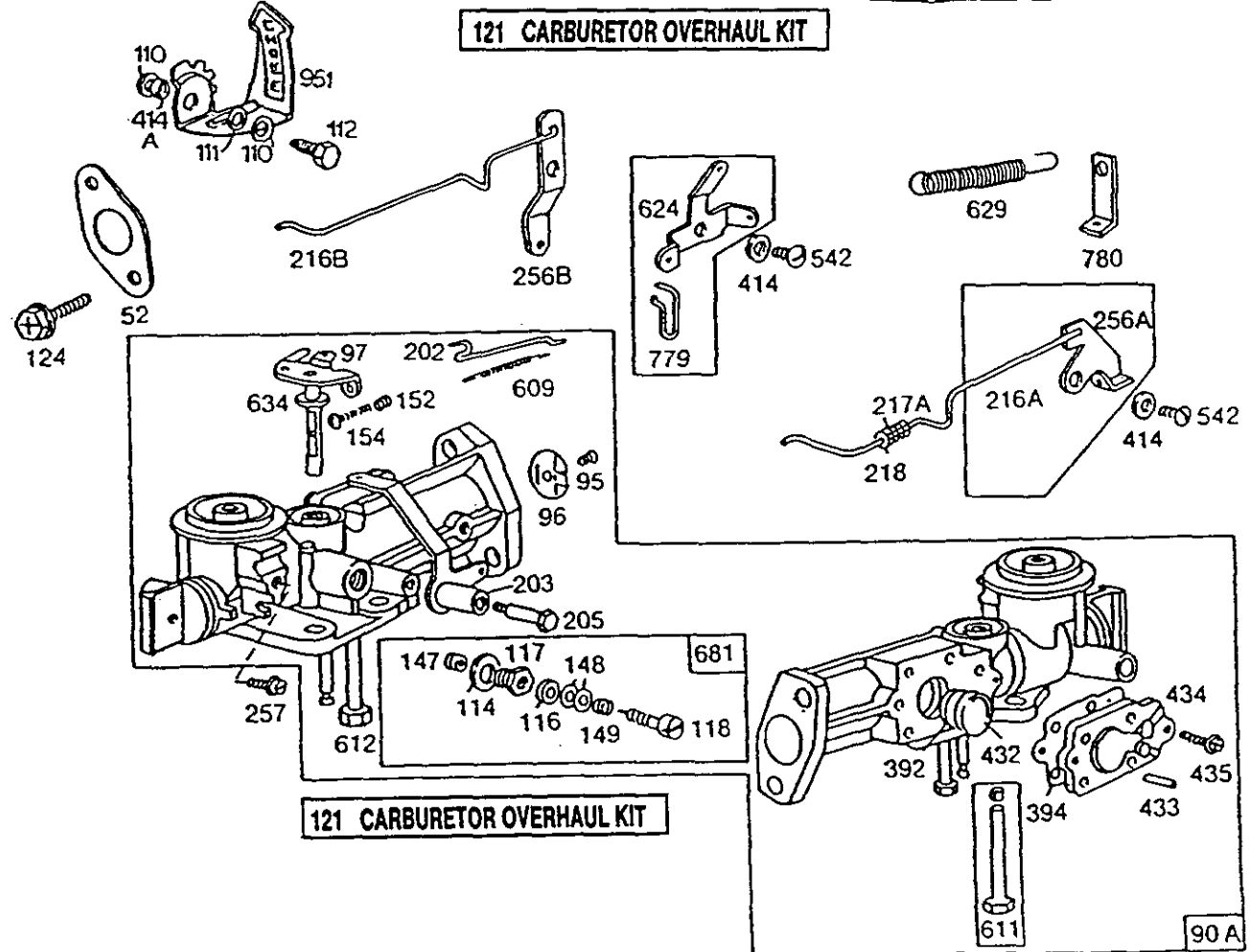
\*REQUIRES  
SPECIAL TOOLS  
TO INSTALL.  
SEE REPAIR  
INSTRUCTION  
MANUAL.





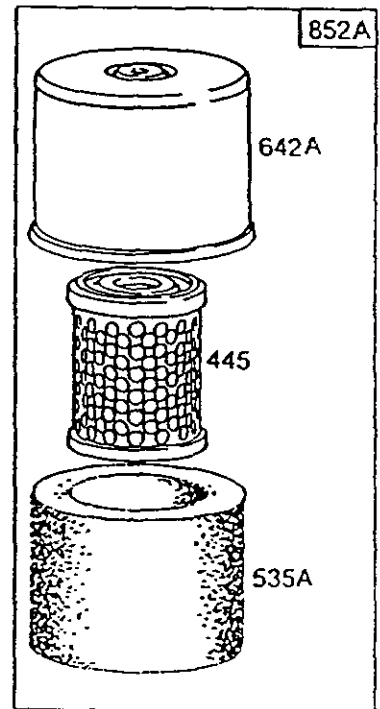
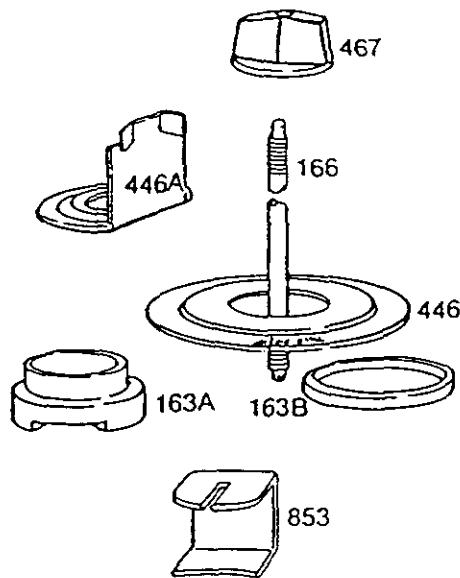
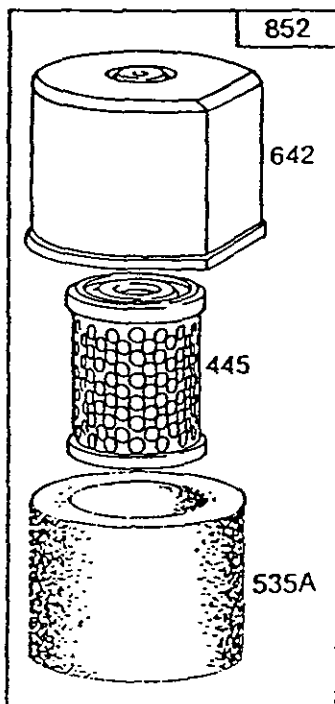
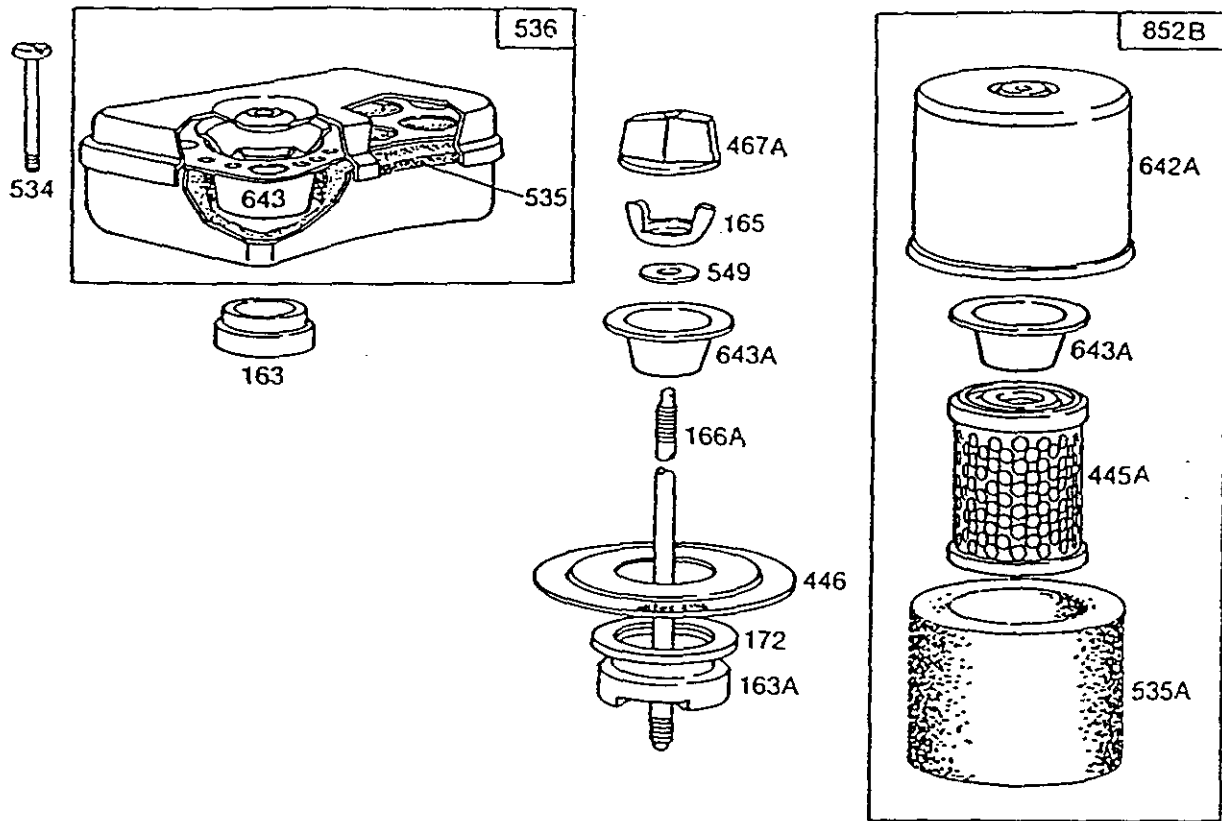


121 CARBURETOR OVERHAUL KIT



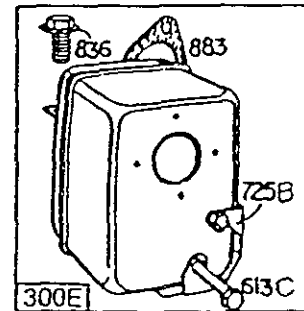
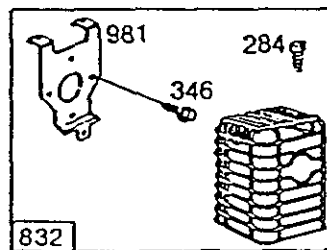
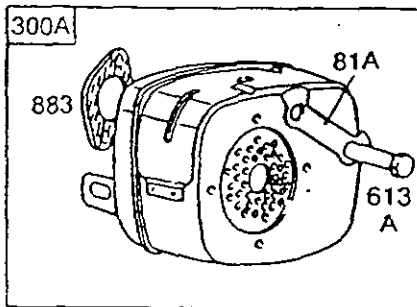
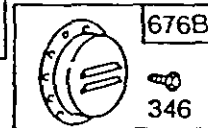
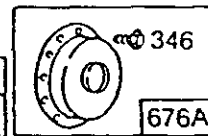
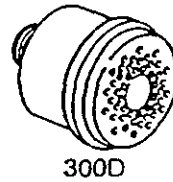
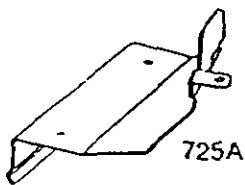
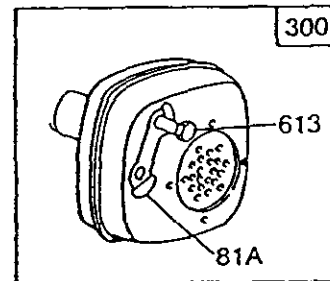
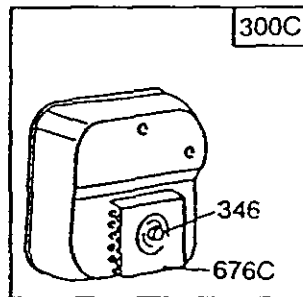
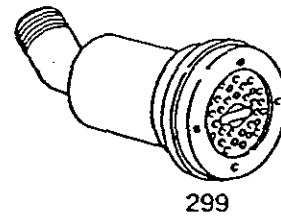
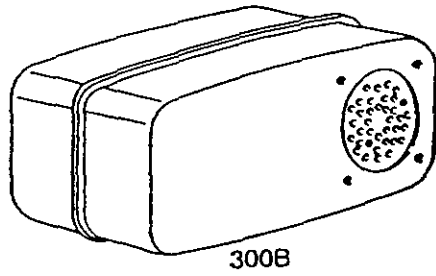
121 CARBURETOR OVERHAUL KIT

# 130200 to 130299

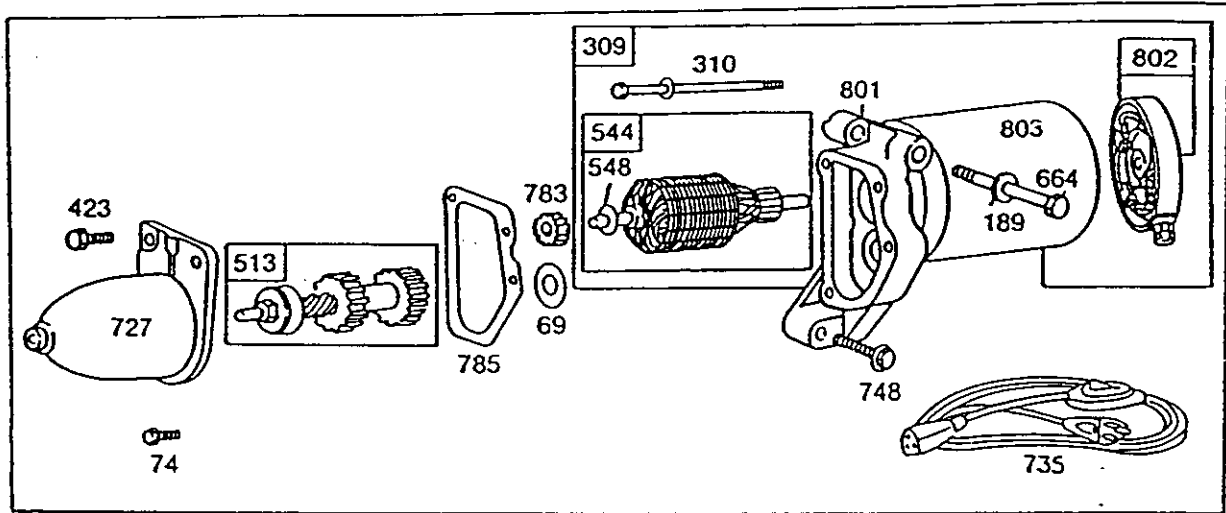




# 130200 to 130299







Reference Number	309	544	802	803
Starter Motor Mfr.	Motor	Armature Assembly	End Cap Assy. Commutator	Housing Assembly
American				
Bosch				
12V	390551*	390467	390465	390468
120V	393842**			

\*Uses #92813 Lockwasher and #231082 Hex Nut.

\*\*Includes Entire Motor and Drive Assembly.

Ref Number	Ref. Number	Flywheel Ring Gear Material
513	727	
Drive Assembly	Drive Housing	
391029	390543	Steel
397645***	394416	Aluminum

\*\*\* Includes 280311 Starter Cover.

Reference Numbers								
69	310	423	548	664	748	783	785	801
Washer 93676	Motor Bolt 93648	Sem. Screw 93654	Washer 93649	Mtg. Screw 93358	Mtg. Screw 93534	Pinion 230972	Gasket 270718	Mtg. Head 390544

# 130200 to 130299

REF. NO.	PART NO.	DESCRIPTION	REF. NO.	PART NO.	DESCRIPTION	REF. NO.	PART NO.	DESCRIPTION
1	<b>395990</b>	Cylinder Assembly <b>Note:</b> <b>494955</b> Cylinder Assy. (Used After Code Date 91063000). <b>395994</b> Cylinder Assy. (Used Before Code Date 91070100). Used on Type Nos. 1506, 1519, 1525, 1602, 1630, 1631, 1636, 1637, 1665, 1674, 1675, 1801, 1802, 1813, 1820, 1823, 1841, 1881, 1884, 1890, 1892, 1893, 1894, 1895, 1901, 1928, 1930, 1935, 1939, 2112, 2145, 2151, 2168, 2199, 2200, 2207, 2208.  <b>494955</b> Cylinder Assy. (Used After Code Date 91063000). <b>398765</b> Cylinder Assy. (Oil Gard®) (Used Before Code Date 91070100). on Type Nos. Above 5000.		<b>*270126</b>	Gasket-Crankcase (.009" Thick)	16	<b>492088</b>	Crankshaft <b>Note:</b> To Replace Crankshaft Gear Pin, Order Part No. <b>230978</b> . Used Only on Crankshaft With Loose Gear. <b>397087</b> Crankshaft Used on Type Nos. 1535, 1612, 1632, 1687, 1713, 1720, 1730, 1739, 1745, 1753, 1760, 1771, 1790, 1805, 1806, 1830, 1839, 1913, 1918, 2100, 2123, 2129, 2132, 2147, 2150, 2161.  <b>397089</b> Crankshaft (Used After Code Date 83072900). <b>260941</b> Crankshaft (Used Before Code Date 83080100). Used on Type No. 1537.
			13	<b>94221</b>	Screw-Cylinder Head (2-3/32" Long) <b>Note:</b> <b>93583</b> Stud-Cyl. Head <b>22963</b> Washer Used on Type Nos. 1503, 1656, 1670, 1679, 1683, 1684, 1689, 1700, 1703, 1714, 1717, 1735, 1745, 1770, 1771, 1778, 1798, 1799, 1808, 1826, 1829, 1830, 1836, 1839, 1897, 1909, 1910, 1922, 1926, 1937, 2116, 2133, 2139, 2159, 2171, 2181, 2185, 5102, 5112, 5137. <b>391608</b> Bracket-Mtg. Used on Type No. 1640 And Furnished by the Equipment Manufacturer.			
			14	<b>93369</b>	Screw-Cylinder Head (2-15/32" Long) <b>Note:</b> <b>93583</b> Stud-Cyl. Head <b>22963</b> Washer Used on Type Nos. 1680, 1683, 1703, 1717, 1738, 1765, 1770, 1771, 1798, 1799, 1808, 1829, 1830, 1837, 1839, 1897, 1922, 1926, 1937, 2116, 2139, 2168, 2181, 2185, 5137.			<b>397090</b> Crankshaft Used on Type Nos. 5130, 5132, 5133, 5134, 5137, 5139, 5140, 5142, 5144, 5145, 5146. <b>397094</b> Crankshaft Used on Type Nos. 5131, 5141. <b>397095</b> Crankshaft Used on Type Nos. 1524, 1549, 1616, 1716, 1737, 1744, 1774, 1775, 1776, 1777, 1788, 1792, 1810, 1825, 1840, 1851, 1871, 1874, 1927, 2104, 2175, 2193. <b>397096</b> Crankshaft Used on Type Nos. 1506, 1519, 1525, 1602, 1630, 1631,
2	<b>297565</b>	Bushing-Cylinder <b>Note: Requires Special Tools for Installation.</b>						
3	<b>299819</b>	Seal-Oil						
5	<b>211542</b>	Head-Cylinder						
6	<b>22963</b>	Washer-Flat						
7	<b>*272157</b>	Gasket-Cylinder Head						
8	<b>294178</b>	Breather-Valve Chamber						
9	<b>*27549</b>	Gasket-Valve Cover						
10	<b>94621</b>	Screw-Breather Mtg.						
11	<b>66578</b>	Grommet-Breather Tube						
12	<b>*270080</b>	Gasket-Crankcase (.015" Thick, Standard)						
	<b>*270125</b>	Gasket-Crankcase (.005" Thick)						
			15	<b>91249</b>	Plug-Pipe (Sq. Hd.) <b>Note:</b> <b>93448</b> Plug-Pipe (Hex. Socket) <b>94105</b> Pipe-Oil Drain <b>94111</b> Cap-Pipe Used on Type No. 1881. <b>94174</b> Plug-Oil Drain (Magnetic)			

\* Included in Gasket Set-Part No. 397145.

• Included in Carburetor Overhaul Kit-Part No. 494624.

# 130200 to 130299

REF. NO.	PART NO.	DESCRIPTION	REF. NO.	PART NO.	DESCRIPTION	REF. NO.	PART NO.	DESCRIPTION		
		1636, 1637, 1665, 1674, 1675, 1801, 1813, 1820, 1823, 1881, 1890, 1892, 1893, 1894, 1901, 1928, 1930, 1935, 1939, 2112, 2145, 2151, 2168, 2199, 2200, 2207, 2208. <b>397097</b> Crankshaft Used on Type No. 1802. <b>397099</b> Crankshaft Used on Type Nos. 5148, 5149, 5151.			1742, 1746, 1749, 1784, 1798, 1809, 1816, 1822, 1847, 1850, 1857, 1902, 1911, 1925, 2105, 2107, 2108, 2113, 2115, 2131, 2156, 2158, 2167, 2171, 2182, 2183, 2189, 2191. <b>492926</b> Crankshaft Used on Type Nos. 1503, 1652, 1667, 1670, 1731, 1735, 1762, 1826, 1836, 1898, 2185, 2198. <b>493015</b> Crankshaft Used on Type Nos. 1539, 1698, 1750. <b>493290</b> Crankshaft Used on Type Nos. 1536, 1541, 1542, 1543, 1613, 1638, 1641, 1645, 1647, 1648, 1658, 1659, 1662, 1677, 1680, 1683, 1684, 1693, 1697, 1699, 1701, 1709, 1710, 1711, 1712, 1719, 1727, 1729, 1732, 1736, 1743, 1747, 1751, 1752, 1756, 1758, 1759, 1767, 1773, 1779, 1781, 1786, 1791, 1793, 1799, 1803, 1804, 1808, 1811, 1812, 1818, 1824, 1829, 1831, 1833, 1834, 1835, 1838, 1870, 1873, 1876, 1879, 1885, 1889, 1896, 1903, 1904, 1932, 2101, 2103, 2106, 2109, 2124, 2126, 2128, 2137, 2148, 2149, 2162, 2164, 2166, 2176, 2180, 2184, 2190, 2194, 2197, 5111, 5112.					<b>493290</b> Crankshaft (Used After Code Date 91063000). <b>397092</b> Crankshaft (Used Before Code Date 91070100). Used on Type Nos. 5101, 5102, 5135, 5136.
		<b>397100</b> Crankshaft (Used After Code Date 83072900). <b>261227</b> Crankshaft (Used Before Code Date 83080100). Used on Type Nos. 1841, 1884, 1895.			<b>493015</b> Crankshaft Used on Type Nos. 1539, 1698, 1750. <b>493290</b> Crankshaft Used on Type Nos. 1536, 1541, 1542, 1543, 1613, 1638, 1641, 1645, 1647, 1648, 1658, 1659, 1662, 1677, 1680, 1683, 1684, 1693, 1697, 1699, 1701, 1709, 1710, 1711, 1712, 1719, 1727, 1729, 1732, 1736, 1743, 1747, 1751, 1752, 1756, 1758, 1759, 1767, 1773, 1779, 1781, 1786, 1791, 1793, 1799, 1803, 1804, 1808, 1811, 1812, 1818, 1824, 1829, 1831, 1833, 1834, 1835, 1838, 1870, 1873, 1876, 1879, 1885, 1889, 1896, 1903, 1904, 1932, 2101, 2103, 2106, 2109, 2124, 2126, 2128, 2137, 2148, 2149, 2162, 2164, 2166, 2176, 2180, 2184, 2190, 2194, 2197, 5111, 5112.			<b>17</b>	<b>99158</b>	Bearing-Ball (P.T.O. Side)
		<b>397103</b> Crankshaft Used on Type Nos. 1520, 1650, 1706, 1769, 1844, 1845, 1905, 1906, 1907, 1908, 1915, 1936, 2153. <b>397104</b> Crankshaft Used on Type Nos. 1717, 1748, 1757, 1770, 1794, 1897, 1926, 1937, 2116, 2159. <b>397105</b> Crankshaft Used on Type No. 1764. <b>492089</b> Crankshaft Used on Type Nos. 5143, 5147. <b>492090</b> Crankshaft Used on Type Nos. 1538, 1540, 1643, 1660, 1661, 1678, 1688, 1692, 1694, 1702, 1705, 1707, 1721, 1726, 1728,			<b>493015</b> Crankshaft Used on Type Nos. 1539, 1698, 1750. <b>493290</b> Crankshaft Used on Type Nos. 1536, 1541, 1542, 1543, 1613, 1638, 1641, 1645, 1647, 1648, 1658, 1659, 1662, 1677, 1680, 1683, 1684, 1693, 1697, 1699, 1701, 1709, 1710, 1711, 1712, 1719, 1727, 1729, 1732, 1736, 1743, 1747, 1751, 1752, 1756, 1758, 1759, 1767, 1773, 1779, 1781, 1786, 1791, 1793, 1799, 1803, 1804, 1808, 1811, 1812, 1818, 1824, 1829, 1831, 1833, 1834, 1835, 1838, 1870, 1873, 1876, 1879, 1885, 1889, 1896, 1903, 1904, 1932, 2101, 2103, 2106, 2109, 2124, 2126, 2128, 2137, 2148, 2149, 2162, 2164, 2166, 2176, 2180, 2184, 2190, 2194, 2197, 5111, 5112.			<b>17A</b>	<b>99157</b>	Bearing-Ball (Magneto Side) Used on Type Nos. 5100 And Up.
					<b>493015</b> Crankshaft Used on Type Nos. 1539, 1698, 1750. <b>493290</b> Crankshaft Used on Type Nos. 1536, 1541, 1542, 1543, 1613, 1638, 1641, 1645, 1647, 1648, 1658, 1659, 1662, 1677, 1680, 1683, 1684, 1693, 1697, 1699, 1701, 1709, 1710, 1711, 1712, 1719, 1727, 1729, 1732, 1736, 1743, 1747, 1751, 1752, 1756, 1758, 1759, 1767, 1773, 1779, 1781, 1786, 1791, 1793, 1799, 1803, 1804, 1808, 1811, 1812, 1818, 1824, 1829, 1831, 1833, 1834, 1835, 1838, 1870, 1873, 1876, 1879, 1885, 1889, 1896, 1903, 1904, 1932, 2101, 2103, 2106, 2109, 2124, 2126, 2128, 2137, 2148, 2149, 2162, 2164, 2166, 2176, 2180, 2184, 2190, 2194, 2197, 5111, 5112.			<b>18</b>	<b>297602</b>	Cover Assy.-Crankcase Used on Model 130201, 130202, 130203, 130206, 130207 Series Engines, Except as Listed Under <b>Note.</b> <b>Note:</b> <b>398078</b> Cover Assy.- Crankcase Used on Type Nos. 1880, 1881, 1888, 1890, 1892, 1898, 1928, 1939, 2151, 2152, 2153, 2154, 2170. <b>298204</b> Cover Assy.-Crankcase Used on Model 130231, 130232, 130233, 130235, 130236, 130237 Series Engines. <b>298517</b> Cover Assy.-Crankcase Used on Model 130212, 130217, 130251, 130252, 130253 Series Engines, Except as Listed Under <b>Note.</b> <b>Note:</b> <b>392778</b> Cover Assy.- Crankcase Used on Type Nos. 1717, 1748, 1757, 1770, 1794, 1897,

★ Included in Gasket Set-  
Part No. 397145.

● Included in Carburetor Overhaul Kit-  
Part No. 494624.

# 130200 to 130299

REF. NO.	PART NO.	DESCRIPTION	REF. NO.	PART NO.	DESCRIPTION	REF. NO.	PART NO.	DESCRIPTION
		1926, 1937, 2116, 2159.			1868, 1869, 1882, 1894, 1900, 1901, 1916, 1931, 1935, 2127, 2134, 2135, 2138, 2139, 2140, 2160, 2179, 2186, 2188, 2200, 2201, 2207, 2208.	<b>23B</b>	<b>394424</b>	Flywheel Assembly Used with Aluminum Ring Gear Used With Electric Motor With Nylon Pinion Gear.
<b>19</b>	<b>493914</b>	Cover Assy.-Crankcase Used on Model 130292, 130296, 130297 Series Engines.			<b>392741</b> Oil Seal and Spacer Used on Type Nos. 1717, 1748, 1757, 1764, 1770, 1794, 1897, 1926, 1937, 2116, 2159.	<b>24</b>	<b>222698</b>	Key-Flywheel
	<b>297603</b>	Bushing-Crankcase Cover <b>Note: Requires Special Tools For Installation.</b>	<b>21</b>	<b>66768</b>	Plug-Oil Filler	<b>25</b>	<b>298904</b>	Piston Assy. (Standard)
<b>20</b>	<b>294606</b>	Seal-Oil <b>Note: 393812</b> Seal-Oil Used on Model 130231, 130232, 130233, 130235, 130236, 130237 Series Engines.	<b>22</b>	<b>93032</b>	Screw-Crankcase Cover Mounting <b>Note: 93656</b> Stud <b>90832</b> Lockwasher Used to mount Crankcase Cover on Type Nos. 1520, 1571, 1642, 1644, 1696, 1706, 1715, 1725, 1738, 1765, 1766, 1769, 1782, 1785, 1797, 1814, 1828, 1844, 1845, 1853, 1855, 1858, 1859, 1860, 1863, 1864, 1866, 1905, 1906, 1907, 1908, 1916, 1917, 1931, 2144, 2179, 2195, 2202, 2203, 2204.		<b>298905</b>	Piston Assy. (.010" O.S.)
	<b>298504</b>	Oil Seal and Spacer Used on Type Nos. 1523, 1630, 1631, 1636, 1657, 1663, 1676, 1703, 1708, 1718, 1724, 1731, 1733, 1734, 1735, 1740, 1755, 1761, 1762, 1801, 1815, 1820, 1821, 1827, 1836, 1848, 1856, 1877, 1883, 1886, 1887, 1899, 1912, 1919, 1920, 1921, 2102, 2111, 2119, 2122, 2141, 2165, 2169, 2172, 2196, 2203.			<b>94067</b> Stud <b>90832</b> Lockwasher Used to Mount Crankcase Cover on Type Nos. 1900, 1901.		<b>298906</b>	Piston Assy. (.020" O.S.)
	<b>391484</b>	Seal-Oil Used on the Auxiliary P.T.O. Shaft Used on Type Nos. 1570, 1571, 1617, 1635, 1636, 1642, 1646, 1664, 1665, 1669, 1671, 1673, 1674, 1675, 1682, 1696, 1725, 1738, 1754, 1782, 1785, 1807, 1849, 1852, 1853, 1860, 1861, 1862, 1863, 1864, 1865, 1866, 1867,	<b>23</b>	<b>297229</b>	Flywheel-Magneto		<b>298907</b>	Piston Assy. (.030" O.S.)
			<b>23A</b>	<b>390509</b>	Flywheel Assembly (Includes Steel Ring Gear) Used With Electric Motor With Steel Pinion Gear.	<b>PISTON RING SETS:</b> <b>Note:</b> For Chrome Piston Ring Set-Standard Size Order Part No. 299742.		
						<b>26</b>	<b>298982</b>	Ring Set-Piston (Standard)
							<b>298983</b>	Ring Set-Piston (.010" O.S.)
							<b>298984</b>	Ring Set-Piston (.020" O.S.)
							<b>298985</b>	Ring Set-Piston (.030" O.S.)
						<b>27</b>	<b>26026</b>	Lock-Piston Pin
						<b>28</b>	<b>298909</b>	Pin Assy.-Piston (Standard)
							<b>298908</b>	Pin Assy.-Piston (.005" O.S.)
						<b>29</b>	<b>299430</b>	Rod Assy.-Connecting <b>Note:</b> For Connecting Rod With .020" Undersize Crankpin Bore-Order No. 390459.
						<b>30</b>	<b>221890</b>	Dipper-Connecting Rod
						<b>31</b>	<b>221876</b>	Lock-Conn. Rod Screw
						<b>32</b>	<b>92296</b>	Screw-Connecting Rod
						<b>33</b>	<b>211119</b>	Valve-Exhaust <b>Note: 262464</b> Valve-Exhaust (Used After Code Date 90051400). <b>260860</b> Valve-Exhaust (Used Before Code Date 90051500). Used on Type Nos. 1503, 1538, 1643, 1677, 1678, 1688, 1707, 1721, 1737,
★ Included in Gasket Set-Part No. 397145.			● Included in Carburetor Overhaul Kit-Part No. 494624.					

# 130200 to 130299

REF. NO.	PART NO.	DESCRIPTION	REF. NO.	PART NO.	DESCRIPTION	REF. NO.	PART NO.	DESCRIPTION
		1757, 1758, 1772, 1816, 1826, 1840, 1841, 1847, 1895, 2104, 2108, 2131, 2158, 2182, 5132, 5133, 5134, 5148, 5149, 5151.			1816, 1826, 1840, 1841, 1847, 1895, 2104, 2108, 2131, 2158, 2182, 5132, 5133, 5134, 5148, 5149, 5151.			Used on Type Nos. 1519, 1602, 1630, 1631, 1636, 1637, 1674, 1675, 1801, 1802, 1820, 1823, 1841, 1881, 1890, 1892, 1893, 1894, 1895, 1928, 1930, 1935, 1939, 2151, 2168, 2199, 2200, 2207, 2208, 5148, 5149, 5151.
34	261044	Valve-Intake	45	260642	Tappet-Valve	57	490179	Spring-Rewind Starter
35	260552	Spring-Intake Valve	46	212733	Gear-Cam	58	66884	Rope-Rewind Starter (63" Long) If Longer Rope is Required Order Rope No. 66894 and Cut to Length.
36	26478	Spring-Exhaust Valve		<b>Note:</b> 211284	Gear-Cam		<b>Note:</b> 66734	Rope-Rewind Starter Used on Type Nos. 1519, 1602, 1630, 1631, 1636, 1637, 1674, 1675, 1801, 1802, 1820, 1823, 1841, 1881, 1890, 1893, 1894, 1895, 1930, 1935, 2168, 2199, 2200, 2207, 2208, 5148, 5149, 5151.
	<b>Note</b> 262750	Spring-Exhaust Valve (Used After Code Date 90051400).			Used on Type Nos. 1570, 1571, 1617, 1635, 1636, 1642, 1646, 1664, 1665, 1669, 1671, 1673, 1674, 1675, 1682, 1696, 1725, 1738, 1754, 1782, 1785, 1807, 1823, 1852, 1853, 1860, 1861, 1862, 1863, 1864, 1866, 1867, 1869, 1882, 1894, 1900, 1901, 1916, 1931, 1935, 2134, 2135, 2138, 2139, 2140, 2160, 2179, 2186, 2188, 2200, 2201, 2207, 2208.			
	26826	Spring-Exhaust Valve (Used Before Code Date 90051500). Used on Type Nos. 1503, 1538, 1643, 1677, 1678, 1688, 1707, 1721, 1737, 1757, 1758, 1772, 1816, 1826, 1840, 1841, 1847, 1895, 2104, 2108, 2131, 2158, 2182, 5132, 5133, 5134, 5148, 5149, 5151.			212777	Gear-Cam		
37	222443	Guard-Flywheel			Used on Type Nos. 1849, 1865, 1868, 2127.	59	490653	Insert-Starter Handle
37A	222578	Guard-Flywheel (Used on Engines with Electric Starters)	52	*27355	Gasket-Carb. Mtg.	59A	230228	Pin-Starter Grip
40	93312	Retainer-Valve Spring		<b>Note:</b> 392854	Gasket-Intake Port	60	490652	Handle-Rewind Starter
	<b>Note:</b> 491442	Rotocoil-Exhaust Valve (Used After Code Date 90051400).			Used on Type Nos. 1820, 1881, 1890, 1892, 1893, 1894, 1928, 1930, 1935, 1939, 2151.	60A	393152	Grip-Starter Rope <b>Note:</b> 398101
	292259	Rotocap-Exhaust Valve						Grip-Starter Rope Used on Type Nos. 1890, 1892, 1928, 1930, 1939, 2151.
	230126	Pin-Exhaust Valve Rotocap Retainer	55	299431	Housing-Rewind Starter	65	94063	Screw-Sem
	230127	Retainer-Exhaust Valve Rotocap (Used Before Code 90051500). Used on Type Nos. 1503, 1538, 1643, 1677, 1678, 1688, 1707, 1721, 1737, 1757, 1758, 1772,	56	295871	Pulley-Rewind Starter (Includes 63" Long Rope) If Longer Rope is Required Order Rope No. 66894 and Cut to Length.	65A	94124	Screw-Guard Retaining
				<b>Note:</b> 280439	Pulley-Rewind Starter	66	399671	Clutch Assy.- Rewind Starter
						67	394897	Housing-Starter Clutch
						68	63770	Ball-Clutch
						70	298799	Ratchet-Rewind Starter
						71	394506	Washer-Clutch Retainer

\* Included in Gasket Set-Part No. 397145.

• Included in Carburetor Overhaul Kit-Part No. 494624.

# 130200 to 130299

REF. NO.	PART NO.	DESCRIPTION	REF. NO.	PART NO.	DESCRIPTION	REF. NO.	PART NO.	DESCRIPTION
73	221923	Screen-Starter Pulley	85	92747	Screw-Gear Case Mounting Sem			1780, 1782, 1789, 1793, 1797, 1813, 1814, 1817, 1819, 1836, 1840.
	<b>Note:</b> 221661	Screen-Starter Pulley	86	291730	Cover Assy.-Gear Case			390161 Carb. Assy. Used on Type Nos. 1715, 1722, 1733, 1734, 1751, 1763, 1773, 1848.
		Used on Type Nos. 1518, 1519, 1601, 1602, 1630, 1631, 1635, 1636, 1637, 1674, 1675, 1801, 1802, 1820, 1823, 1837, 1841, 1881, 1890, 1892, 1893, 1894, 1895, 1928, 1930, 1935, 1939, 2151, 2168, 2199, 2200, 2207, 2208, 5151.	87	19011	Seal-Oil			392404 Carb. Assy. Used on Type Nos. 1631, 1636, 1674, 1675, 1801, 1820, 1890, 1893, 1894, 1928, 1930, 1935, 1939, 2151, 2199.
74	93490	Screw-Sem	88	27313	Gasket-Gear Case Cover			395587 Carb. Assy. (Used Before Code Date 85080100). Used on Type Nos. 1645, 1868, 2126.
	<b>Note:</b> 93808	Screw-Sem	89	93448	Plug-Oil Drain	95	93499	Screw-Throttle Valve to Shaft Sem
		Used on Type No. 1787.	90	397135	Carburetor Assembly (Rotary Choke)	96	211203	Throttle-Carburetor
		94062 Screw-Hex. Head		<b>Note:</b> 397940	Carburetor Assy.	97	299212	Shaft and Lever-Throttle
		Used on Type Nos. 2100, 2101.			Used on Type Nos. 1506, 1516, 1571, 1640, 1641, 1651, 1673, 1685, 1689, 1701, 1711, 1716, 1724, 1729, 1731, 1735, 1735, 1743, 1752, 1762, 1776, 1780, 1782, 1789, 1793, 1797, 1813, 1814, 1817, 1819, 1836, 1840, 1864, 1872, 1875, 1876, 1889, 1898, 1921, 1924, 1927, 1931, 1936, 2112, 2128, 2141, 2142, 2145, 2170, 2174, 2176, 2177, 2178, 2179, 2188, 2196.	108	397134	Valve Group-Choke
74A	93410	Screw-Hex. Head			Used on Type Nos. 1645, 1868, 2126.	110	66432	Washer-Choke Lever
		Used to Mount Ground Wire to Cover When Starter Motor is Omitted.	90A	299437	Carburetor Assembly	111	94060	Washer-Wave
75	224061	Washer-Spring		<b>Note:</b> 299576	Carb. Assy.	112	94164	Screw-Choke Lever (Used After Code Date 86011000).
76	68238	Washer-Ratchet Sealing (Not Used With Rubber Coated Clutch)			Used on Type Nos. 1576, 1701, 1787.			<b>Note:</b> 93686 Screw-Choke Lever (Used Before Code Date 86011300).
79	290779	Case Assembly-Gear			299576 Carb. Assy. Used on Type Nos. (Before Code Date 84011100).	114	66594	Gasket-Needle Valve Nut
80	27667	Gasket-Gear Case			1506, 1516, 1571, 1640, 1641, 1651, 1673, 1685, 1689, 1701, 1711, 1716, 1724, 1729, 1731, 1735, 1736, 1743, 1752, 1762, 1776,	116	65978	Packing-Needle Valve
81	220234	Lock-Screw				117	230590	Nut-Needle Valve
81A	222263	Lock-Screw (3/8" dia. Bolt Holes)				118	23433	Valve-Needle
82	91541	Screw-Cap Hex. Hd. (7/8" Long)				121	494624	Carburetor Overhaul Kit
82A	92279	Screw-Cap, Hex. Hd. (1-1/2" Long)				124	93357	Screw-Hex. Head
83	211293	Shaft and Gear-Drive				127	22831	Plug-Welch
	<b>Note:</b> 211338	Shaft and Gear-Drive				147	230591	Seat-Needle Valve
		Used on Type No. 1802.				148	22235	Washer-Needle Valve
84	92617	Plug-Breather				149	26336	Spring-Needle Valve
						152	260575	Spring-Throttle Adjustment

★ Included in Gasket Set-Part No. 397145.

● Included in Carburetor Overhaul Kit-Part No. 494624.



# 130200 to 130299

REF. NO.	PART NO.	DESCRIPTION	REF. NO.	PART NO.	DESCRIPTION	REF. NO.	PART NO.	DESCRIPTION
		1762, 1776, 1793, 1840.	<b>216C</b>	<b>399109</b>	Rod-Choke	<b>234</b>	<b>220730</b>	Clip-Control Rod
		<b>261297</b> Rod-Control	<b>216D</b>	<b>394562</b>	Hand Choke Assy.	<b>256</b>	<b>397709</b>	Crank-Bell
		Used on Type Nos.	<b>216E</b>	<b>399110</b>	Rod-Choke			(Includes Choke Link)
		1645, 1646, 1756,	<b>217</b>	<b>261951</b>	Spring-Choke			(Used After Code Date
		1772, 1777, 1849,	<b>217A</b>	<b>260189</b>	Spring-Choke Link			84053100).
		1865, 1868, 2119,	<b>218</b>	<b>221198</b>	Washer-Choke Link			<b>Note:</b> <b>398175</b> Crank-Bell
		2126, 2127, 2138.	<b>219</b>	<b>494845</b>	Gear-Governor			(Includes Choke Link)
					(Used After Code Date			(Used Before Code
					91060900).			Date 84060100).
		<b>261985</b> Rod-Control			<b>Note:</b> <b>391737</b> Gear-Gov.	<b>256A</b>	<b>299859</b>	Crank-Bell
		(Used After Code Date			(Used Before Code			(Includes Choke Link)
		84042900).			Date 91061000).	<b>256B</b>	<b>222582</b>	Lever-Choke
		<b>230737</b> Rod-Control	<b>220</b>	<b>221551</b>	Washer-Thrust	<b>257</b>	<b>93543</b>	Screw-Fil. Hd. Sem
		(Used Before Code	<b>223</b>	<b>221517</b>	Lever-Gov. Control	<b>257A</b>	<b>92484</b>	Screw-Fil. Hd. Sem
		Date 8404300).			<b>Note:</b> <b>230943</b> Bushing-	<b>265</b>	<b>221535</b>	Clamp-Casing
		Used on Type Nos.			Governor Lever	<b>265A</b>	<b>222629</b>	Bracket-Cable Clamp
		1515, 1523, 1524,			(With 1/2" Dia. Flange)	<b>267</b>	<b>93496</b>	Screw-Sem
		1525, 1535, 1536,			<b>Uses:</b>			<b>Note:</b> <b>93686</b> Screw-Sem
		1537, 1543, 1549,			<b>93440</b> Screw-Sem and			Used on Type Nos.
		1570, 1638, 1653,			<b>93569</b> Spring Washer			1782, 1931.
		1668, 1669, 1679,			Used on Type Nos.			<b>93469</b> Screw-Sem
		1697, 1714, 1767,			1518, 1519, 1630,			Used on Type Nos.
		1774, 1825, 1833,			1631, 1636, 1674,			1706, 1769, 1844,
		1909, 1926, 1937,			1675, 1713, 1719,			1845, 1872, 1905,
		2144, 2147, 2148,			1738, 1739, 1750,			1906, 1907, 1908.
		2149, 2150, 2156,			1753, 1828, 1881,	<b>267A</b>	<b>93543</b>	Screw-Sem
		2157, 2158, 2159,			1885, 1893, 1894,	<b>268</b>	<b>66986</b>	Casing-Control Wire
		2161, 2162, 2165,			1895, 1928, 1930,			(48" Long)
		2167, 2171, 2175,			1932, 1935, 1939,			<b>Note:</b> If Longer Casing is
		2180, 2182, 2183,			2102, 2199, 5147.			Needed, Specify Length
		2184, 2189, 2190,	<b>224</b>	<b>93491</b>	Rivet-Governor Control			in Inches; if a Shorter
		5131, 5135, 5137,			Lever Mounting			Casing is Needed,
		5139, 5140, 5141,			<b>Note:</b> <b>93495</b> Rivet-Governor			Order No. <b>66986</b> and
		5142, 5143, 5144,			Control Lever Mounting			Cut to Required Length.
		5145, 5146.			Used With <b>221517</b>	<b>269</b>	<b>26099</b>	Wire-Control
					Lever, <b>222597</b>			<b>Note:</b> If Longer Wire is
<b>208A</b>	<b>399111</b>	Rod-Control			Lever-Adapter and			Needed, Specify Length
<b>209</b>	<b>260695</b>	Spring-Governor			<b>230852</b> Bushing on			in Inches; if Shorter
		<b>Note:</b> <b>260902</b> Spring-Gov.			Type Nos.			Wire is Needed, Order
		Used on Type No.			1706, 1725, 1769,			No. <b>26099</b> and Cut to
		2190.			1782, 1844, 1845,			Required Length.
		<b>261130</b> Spring-Gov.			1905, 1906, 1907,	<b>270</b>	<b>63426</b>	Locknut-Control Wire
		Used on Type No.			1908, 1931.			Casing
		1678.			<b>For Other Specials</b>	<b>271</b>	<b>290568</b>	Lever Assy.-Control
					<b>See Ref. 223.</b>	<b>280</b>	<b>223236</b>	Strap-Control Rod
<b>216</b>	<b>397709</b>	Link-Choke			<b>227</b>	<b>393920</b>		<b>Note:</b> <b>230944</b> Guide-Control
		(Includes Bell Crank)			Lever Assy.-Governor			Rod
		(Used After Code Date			<b>229</b>	<b>220680</b>		Used in <b>223236</b> Strap
		84053100).			Washer-Gov. Lever			on Type Nos.
<b>216A</b>	<b>299859</b>	Link-Choke			<b>230</b>	<b>222450</b>		1515, 1523, 1524,
		(Includes Bell Crank)			Washer-Gov. Lever			1525, 1535, 1536,
<b>216B</b>	<b>231093</b>	Link-Choke			<b>231</b>	<b>93064</b>		
					Screw-Sem			
					<b>232</b>	<b>260478</b>		
					Spring-Governor Link			
					<b>233</b>	<b>230253</b>		
					Stop-Control Rod			

\* Included in Gasket Set-Part No. 397145.

• Included in Carburetor Overhaul Kit-Part No. 494624.



# 130200 to 130299

REF. NO.	PART NO.	DESCRIPTION	REF. NO.	PART NO.	DESCRIPTION	REF. NO.	PART NO.	DESCRIPTION
		1537, 1543, 1549, 1570, 1653, 1668, 1669, 1679, 1697, 1714, 1767, 1774, 1825, 1833, 1909, 2149, 2184, 5131, 5135, 5141.			<b>93415</b> Screw (Guard and Retainer Mounting) (Used Before Code Date 88090300).			1928, 1930, 1935, 1939, 2151, 2199.
<b>280A</b>	<b>221384</b>	Strap-Control Rod <b>Note:</b> <b>230944</b> Guide-Control Rod Used in <b>221384</b> Strap on Type Nos. 1515, 1523, 1524, 1525, 1535, 1536, 1537, 1549, 1570, 1653, 1668, 1669, 1679, 1697, 1714, 1767, 1774, 1825, 1833. <b>390341</b> Strap-Control Rod Used on Type Nos. 1713, 1719, 1738, 1739, 1750, 1753, 1828, 1885, 1932, 2102, 5147.			<b>222379</b> Retainer-Muffler (Used Before Code Date 88090300). <b>222361</b> Brace-Muffler Used on Type Nos. 1633, 1643, 1644, 1723, 1795, 1825, 1871, 1872, 2110, 2114, 2124, 2158, 2170, 2174, 2177, 5131, 5136, 5141, 5151.	<b>307</b>	<b>93490</b>	Screw-Cylinder Shield Mtg. (Used After Code Date 87020800). <b>Note:</b> <b>93042</b> Screw-Cylinder Shield Mtg. (Used Before Code Date 87020900).
		<b>390341</b> Strap-Control Rod Used on Type Nos. 1713, 1719, 1738, 1739, 1750, 1753, 1828, 1885, 1932, 2102, 5147.	<b>300B</b>	<b>392101</b>	Muffler-Exhaust (25 Super Lo-Tone)	<b>308</b>	<b>221512</b>	Cover-Cylinder Head Motor-Starting <b>See Chart on Illustrated Pages for Replacement Parts for Starting Motors.</b>
		<b>284</b> <b>93572</b> Screw-Self Tapping	<b>300C</b>	<b>297274</b>	Muffler-Exhaust (Side Outlet)	<b>309</b>		
		<b>298</b> <b>261409</b> Locknut-Muffler	<b>300D</b>	<b>394569</b>	Muffler-Exhaust		<b>319</b>	<b>298316</b> Armature Assembly (Less Trigger Coil)
		<b>299</b> <b>393368</b> Muffler-Exhaust <b>Note:</b> <b>393010</b> Muffler-Exhaust Used on Type Nos. 1709, 1827, 1920, 2141, 2196.	<b>300E</b>	<b>396001</b>	Muffler-Exhaust (Lo-Tone)		<b>325</b>	<b>299421</b> Starter Pulley With Screen
		<b>300</b> <b>393615</b> Muffler-Exhaust <b>Note:</b> Parts Furnished by Equip. Manufacturer; <b>222595</b> Shield-Heat Used on Type No. 1640.	<b>303</b>	<b>91464</b>	Elbow-Exhaust 90° Street <b>Note:</b> <b>91219</b> Elbow-Exhaust <b>223327</b> Bracket-Muffler Used on Type Nos. 1827, 1920, 2196.	<b>325A</b>	<b>280457</b>	Pulley-Starter
		<b>300A</b> <b>390918</b> Muffler-Exhaust <b>Note:</b> <b>391313</b> Muffler-Exhaust <b>Uses:</b> <b>391232</b> Guard-Muffler <b>94153</b> Screw (Guard and Retainer Mounting) (Used After Code Date 88090200).	<b>304</b>	<b>398345</b>	Housing-Blower <b>Note:</b> <b>399098</b> Housing-Blower Used on Type Nos. 1506, 1525, 1665, 1813, 1884, 1901, 2145. <b>397719</b> Housing-Blower	<b>330</b>	<b>69932</b>	Rope-Starter
			<b>305</b>	<b>94608</b>	Screw-Blower Housing Mounting	<b>331</b>	<b>224061</b>	Washer-Flywheel
			<b>306</b>	<b>221511</b>	Shield-Cylinder <b>Note:</b> <b>223110</b> Shield-Cyl. Used on Type Nos. 1631, 1636, 1674, 1675, 1801, 1820, 1890, 1893, 1894,	<b>332</b>	<b>92284</b>	Nut-Flywheel
						<b>333</b>	<b>397358</b>	Armature Assembly
						<b>333A</b>	<b>397358</b>	Armature Group
						<b>334</b>	<b>93613</b>	Screw-Armature Mounting Sem
						<b>335</b>	<b>93414</b>	Screw-Armature Mtg. Sem
						<b>337</b>	<b>298809</b>	Plug-Spark (1-1/2" High, 38 mm) <b>Note:</b> <b>29693</b> Plug-Spark (2" High, 51 mm) <b>293918</b> Plug-Spark (Resistor Type) (1-1/2" High, 38 mm) <b>392588</b> Plug-Spark (Resistor Type With Gasket) (2" High, 51 mm) <b>394539</b> Plug-Spark (Resistor Type) (2-3/8" High, 62 mm) <b>492167</b> Plug-Spark (1-7/8" High, 48 mm) <b>802592</b> Plug-Spark (Resistor Type) (1-7/8" High, 48 mm)

\* Included in Gasket Set-Part No. 397145.

• Included in Carburetor Overhaul Kit-Part No. 494624.

# 130200 to 130299

REF. NO.	PART NO.	DESCRIPTION	REF. NO.	PART NO.	DESCRIPTION	REF. NO.	PART NO.	DESCRIPTION
346	93705	Screw-Sem <b>Note:</b> 93469 Screw-Sem Used to Mount Deflector and Muffler Guard on Type Nos. 1644, 1871, 1872.			2189, 2191, 5131, 5132, 5133, 5134, 5135, 5139, 5140, 5141, 5143, 5146. <b>(These Wires are Used With Armature Ref. 333A Only.)</b>	474A	494254	Stator Assy.-Alternator (Used Before Code Date 91041500).
347	220884	Switch-Stop (For 1-1/2" High, 37 mm Spark Plugs) <b>Note:</b> 221828 Switch-Stop (For 1-7/8" High, 48 mm Spark Plug) 390785 Switch-Stop (For 1-1/2" High, 38 mm Spark Plug) Used With 22963 Washer on Type Nos. 1645, 1646, 1660, 1692, 1702, 1715, 1717, 1718, 1734, 1740, 1751, 1756, 1784, 1849, 1883, 1884, 1886, 1891, 1902, 1911, 1919, 2105, 2109, 2111, 2156, 2163, 2164, 2169, 2183, 2192, 2195, 2202, 2203, 2204, 5101, 5102, 5142, 5144, 5145.			<b>Note:</b> 396585 Wire-Ground Used on Type Nos. 1639, 1648, 1699, 1786, 1793, 1801, 1802, 1823, 1831, 1835, 1876, 1878. 396947 Wire-Ground Used on Type Nos. 1820, 1881.	481	231767	Spacer-Alternator (Used After Code Date 91041400).
351	93735	Screw-Terminal	357	91539	Key	481A	230970	Bushing-Stator (Used Before Code Date 91041500).
352	66068	Washer	358	397145	Gasket Set	482	93639	Screw-Alternator Armature Mounting
353	92791	Washer-Lock	362	291630	Shield-Spark Plug (With Stop Switch)	506	90200	Screw-Machine, Fillister Hd.
354	90576	Nut-Hex.	363	19069	Flywheel Puller	507	66895	Insulator
355	66554	Washer-Insulating	373	92987	Nut-Hex.	520	93722	Terminal-Spade
356	398808	Wire-Ground <b>Note:</b> 398838 Wire-Ground Used on Type Nos. 1820, 1881, 1890, 1892, 1893, 1894, 1928, 1930, 1935, 1939, 2151. 398874 Wire-Ground Used on Type Nos. 1897, 1899, 1926, 1937, 2104, 2107, 2108, 2110, 2113, 2114, 2115, 2116, 2117, 2120, 2131, 2157, 2158, 2165, 2178, 2180, 2182,	377	93065	Key-Woodruff	521	298529	Shielding-Ignition Cable
			383	89838	Wrench-Spark Plug	523	297357	Cap-Oil Filler
			392	260455	Spring-Fuel Pump Diaphragm	524	65304	Gasket-Oil Filler Cap
			392A	260847	Spring-Choke Friction Diaphragm	525	91258	Nipple-Oil Filler (2-1/2" Long)
			394	270026	Lever-Throttle Speed Control	525A	394884	Adaptor-Oil Filler
			409	299837	Washer	526	94409	Screw-Tank Bracket Mounting Sem
			414	220982	Spacer-Choke Lever (Used Before Code Date 86011300).	527	221514	Clamp-Breather Tube
			414A	231325	Screw-Sem	528	231328	Tube-Breather Used With Rotary Choke Carburetors- Ref. 90. <b>Note:</b> 230722 Tube-Breather Used With Pull Choke Carburetors-Ref. 90A. 231386 Tube-Breather Used With Heat Shield-Ref. 725A.
			423	93410	Cap-Spring	529	67838	Grommet-Breather Tube
			432	221377	Cap-Choke Spring	534	94071	Screw-Air Cleaner (Used After Code Date 84011000). 93322 Screw-Air Cleaner (Used Before Code Date 84011100). <b>Note:</b> 231332 Stud-Air Cleaner <b>Uses:</b> 212706 Knob-Air Cleaner (Used After Code Date 84022100).
			432A	221766	Pin-Diaphragm Cover			
			433	93265	Cover-Diaphragm			
			434	210959	Screw-Diaph. Cover			
			435	93141	Cartridge-Air Cleaner			
			445	396424	Cartridge-Air Cleaner			
			445A	392308	Base-Air Cleaner			
			446	222844	Base-Air Cleaner			
			446A	395642	Knob-Air Cleaner			
			467	212706	Knob-Air Cleaner			
			467A	212293	Knob-Choke Rod			
			467B	391908	Screw-Sem			
			473	93612	Stator Assy.-Alternator (Used After Code Date 91041400).			
			474	494254				

★ Included in Gasket Set-  
Part No. 397145.

● Included in Carburetor Overhaul Kit-  
Part No. 494624.

# 130200 to 130299

REF. NO.	PART NO.	DESCRIPTION	REF. NO.	PART NO.	DESCRIPTION	REF. NO.	PART NO.	DESCRIPTION
		Used on Type Nos. 1700, 1885.			1881, 1895, 2168, 2200, 2207, 2208, 5148, 5149, 5151.	631	230852	Bushing
		<b>230741</b> Stud-Air Cleaner			<b>394490</b> Starter Assy.-Rewind (3 o'clock)	634	271853	Washer-Throttle Shaft (Foam)
		Used With <b>92067</b> Nut-Wing			Used on Type Nos. 1631, 1636, 1637, 1674, 1675, 1801, 1820, 1893, 1894, 1930, 1935, 2199.			<b>Note:</b> <b>270167</b> Washer-Throttle Shaft (Felt)
535	27987	Element-Air Cleaner			<b>398074</b> Starter Assy.-Rewind (3 o'clock)	634A	270382	Washer-Shaft
		<b>Note:</b> <b>390492</b> Element-Air Cleaner			Used on Type Nos. 1890, 1892, 1928, 1939, 2151.	635	66538	Elbow-Spark Plug
		<b>Uses:</b>						<b>Note:</b> <b>392273</b> Elbow Shielding (Used With Spark Plug <b>392588</b> Only)
		<b>390588</b> Cover-Air Cleaner			Used on Type Nos. 609			Used on Type No. 2191.
		<b>221969</b> Support-Air Cleaner	609	260694	Spring-Throttle Link	638	93713	Washer-Lock
		<b>270730</b> Gasket-Air Cleaner	611	391813	Fuel Pipe and Clip Assembly	642	223306	Cover-Air Cleaner
		Used on Type Nos. 1700, 1885.			<b>Note:</b> <b>297219</b> Pipe-Fuel (1 Quart)	642A	222626	Cover-Air Cleaner
535A	271466	Element-Air Cleaner			Used on Type Nos. 1645, 1868, 2126.	643	280374	Cup-Air Cleaner
536	397703	Cleaner Assembly-Air (Used After Code Date 84011000).	612	296811	Pipe-Fuel	643A	222845	Cup-Air Cleaner
		<b>Note:</b> <b>297036</b> Cleaner Assy.-Air (Used Before Code Date 84011100).	613	93935	Screw-Hex. Hd. Shoulder	655	222598	Anchor Spring
538	390756	Rod-Control	613A	94042	Screw-Muffler Mtg. (Used Before Code Date 82091300).	665	298858	Oil Minder
539	93784	Clamp-Choke Rod			<b>Note:</b> <b>93704</b> Screw-Muffler Mtg.	670	261065	Spacer-Armature
541	22398	Washer			(Used Before Code Date 82091300).	676	393757	Deflector-Exhaust
542	94025	Screw	613B	93377	Screw-Muffler Mtg.			<b>Note:</b> <b>393761</b> Deflector-Exhaust (Used on Type No. 1728.)
549	271118	Washer-Air Cleaner	613C	94054	Screw-Hex. Hd. Shoulder	676A	395700	Deflector-Exhaust
552	231079	Bushing-Gov. Crank	614	93306	Cotter-Pin	676B	393758	Deflector-Exhaust
562	92613	Bolt-Governor Lever	615	93307	Retainer-E-Ring	676C	393750	Deflector-Exhaust
575	396691	Stop Switch-Rotary	616	231077	Crank-Governor	681	299060	Needle Valve Kit
592	231082	Nut-Hex.	621	297472	Switch-Stop	682	211516	Shield-Clutch
608	390463	Starter Assy.-Rewind			<b>Note:</b> <b>396847</b> Switch-Stop	712	223140	Guard-Ring Gear (With one Tab for 1-5/8" Cut Out in Blower Housing)
		<b>Note:</b> <b>397124</b> Starter Assy.-Rewind			Used on Type No. 2177.			<b>Note:</b> <b>222279</b> Guard-Ring Gear (With Two Tabs for 1-1/8" Cut Out in Blower Housing)
		Used on Type Nos. 2100, 2101.	624	390383	Crank-Bell (Includes Bell Crank Link)	725	221885	Shield-Heat
608A	297372	Starter Assy.-Rewind (10 o'clock)			<b>Note:</b> <b>222476</b> Crank-Bell			<b>Note:</b> <b>222595</b> Shield-Heat (Used on Type No. 1640 and Furnished by the Equipment Manufacturer.)
		<b>Note:</b> <b>394475</b> Starter Assy.-Rewind (10 o'clock)			Used on Type Nos. 1645, 1646, 1756, 1772, 1777, 1849, 1865, 1868, 2119, 2126, 2127, 2138.	725A	223334	Shield-Heat
		Used on Type Nos. 1519, 1602, 1630, 1802, 1823, 1841,	629	261094	Spring-Throttle Return			
			630	222597	Lever-Adaptor			

\* Included in Gasket Set-Part No. 397145.

• Included in Carburetor Overhaul Kit-Part No. 494624.

# 130200 to 130299

REF. NO.	PART NO.	DESCRIPTION	REF. NO.	PART NO.	DESCRIPTION	REF. NO.	PART NO.	DESCRIPTION
725B	223303	Shield-Heat	832	398069	Guard-Muffler	897	394970	Trigger Coil Assembly
726	494548	Gear-Ring (Includes Mtg. Screws).		<b>Note:</b> 492533	Guard-Muffler Used on Type Nos. 2208, 5151.	905	394510	Shield-Sno Gard
726A	397644	Gear-Ring (Includes Mtg. Screws).	836	93559	Screw-Hex. Head	905A	394511	Shield-Sno Gard
729	223528	Clip-Wire	847	493955	Oil Filler Group	915	222933	Liner-Port
731	399183	Hood-Snow <b>Note:</b> 492008 Hood-Snow Used on Type Nos. 2208, 5151.	851	221798	Cable Terminal-Ignition	948	398661	Harness-Wire
733	93977	Screw-Hood	852	396397	Cleaner Group-Air	949	396580	Guard-Rewind Starter
735	390900	Cord-Starter	852A	397937	Cleaner Group-Air	949A	280680	Guard-Rewind Starter
741	261696	Gear-Timing (Plain Bearing) <b>Note:</b> 262060 Gear-Timing (Ball Bearing)	852B	392368	Cleaner Group-Air <b>Note:</b> For Dual Element Air Cleaner Kit Order Part No. 393018.	951	223286	Lever-Choke
779	390383	Link-Bell Crank (Includes Bell Crank)	853	394850	Bracket-Air Cleaner	978	271736	Gasket-Oil Switch
780	223169	Anchor-Spring	854	392884	Bracket Assembly- Stop Switch	979	494807	Cover-Oil Gard® Hole
780A	222267	Anchor-Spring <b>Uses:</b> 222268 Connector- Control Cable 93496 Screw for Mounting to Tank Bracket	869	211787	Seat-Intake Valve	980	398182	Switch-Oil Gard®
795	392833	Switch-Key	870	211172	Seat-Exhaust Valve <b>Note:</b> For Options see <b>Repair Manual.</b>	981	223373	Bracket-Muffler Guard
823	93712	Screw-Socket Head	871	262001	Guide-Exhaust Valve <b>Note:</b> 63709 Guide-Intake Valve <b>See Repair Instruction Manual.</b>	982	94658	Screw-Oil Gard® Cover
			877	393854	Diode and Connector Assembly	982A	94146	Screw-Oil Gard® Mtg.
			878	393422	Alternator Harness Assembly	983	398660	Light-Indicator
			883	270918	Gasket-Muffler	984	223527	Bracket-Indicator Light
						985	398525	Terminal-Insulated
						987	398970	Seal-Throttle Shaft
						989	491060	Switch Assembly (Used After Code Date '86123100). <b>Note:</b> 399668 Switch Assy. (Used Before Code Date 87010100).
						990	280596	Key
						994	399541	Arrester-Spark
						1016	490817	Spacer
						1019	491100	Label Kit

\* Included in Gasket Set-  
Part No. 397145.

• Included in Carburetor Overhaul Kit-  
Part No. 494624.