



Illustrated Parts List

Model Series

10T500

TYPE NUMBERS
0100 through 3840.

TABLE OF CONTENTS

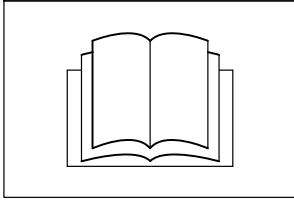
Air Cleaner	6
Blower Housing/Shrouds	7
Brake	5
Camshaft	3
Carburetor	4
Controls	5
Crankcase Cover/Sump	3
Crankshaft	3
Cylinder	2
Cylinder Head	2
Exhaust System	6
Flywheel	7
Fuel Supply	4
Gasket Set - Engine	2
Gasket Set - Valve	2
Governor Spring	5
Ignition	5
Lubrication	2
Operator's Manual	2
Piston/Rings/Connecting Rod	3
Rewind Starter	7
Warning Label	2

PRINTED IN U.S.A.

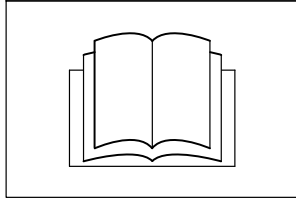


COPYRIGHT by BRIGGS & STRATTON CORPORATION
All rights reserved. No part of this material may be reproduced or transmitted, in any form or by any means, electronic or mechanical, including photocopying, recording or by any information storage and retrieval system, without permission in writing from Briggs & Stratton Corporation.

1058 OPERATOR'S MANUAL



1330 REPAIR MANUAL

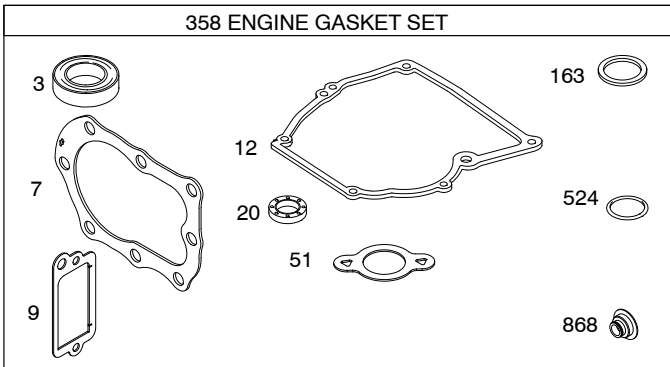


1319 WARNING LABEL

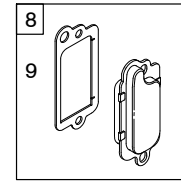
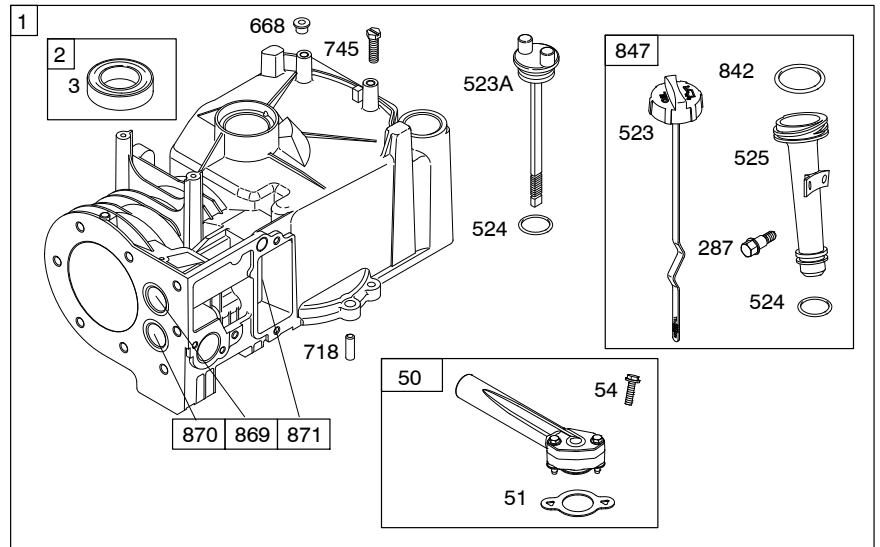
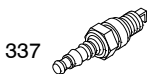
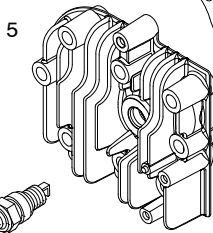
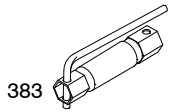
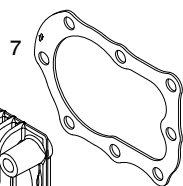
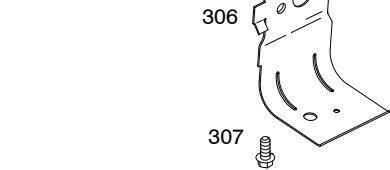
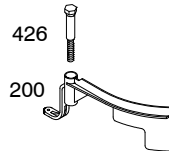
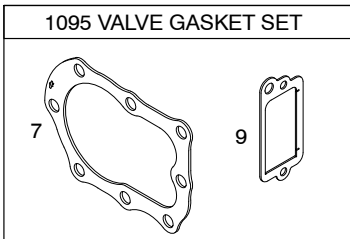
WARNING	
	Read and follow Operating instructions before running engine.
	Gasoline is flammable. Allow engine to cool at least 2 minutes before refueling.
	Engines emit carbon monoxide, DO NOT run in enclosed area.
	Muffler area temperature may exceed 150°F. Do not touch hot parts.

REQUIRED when replacing parts with warning labels affixed.

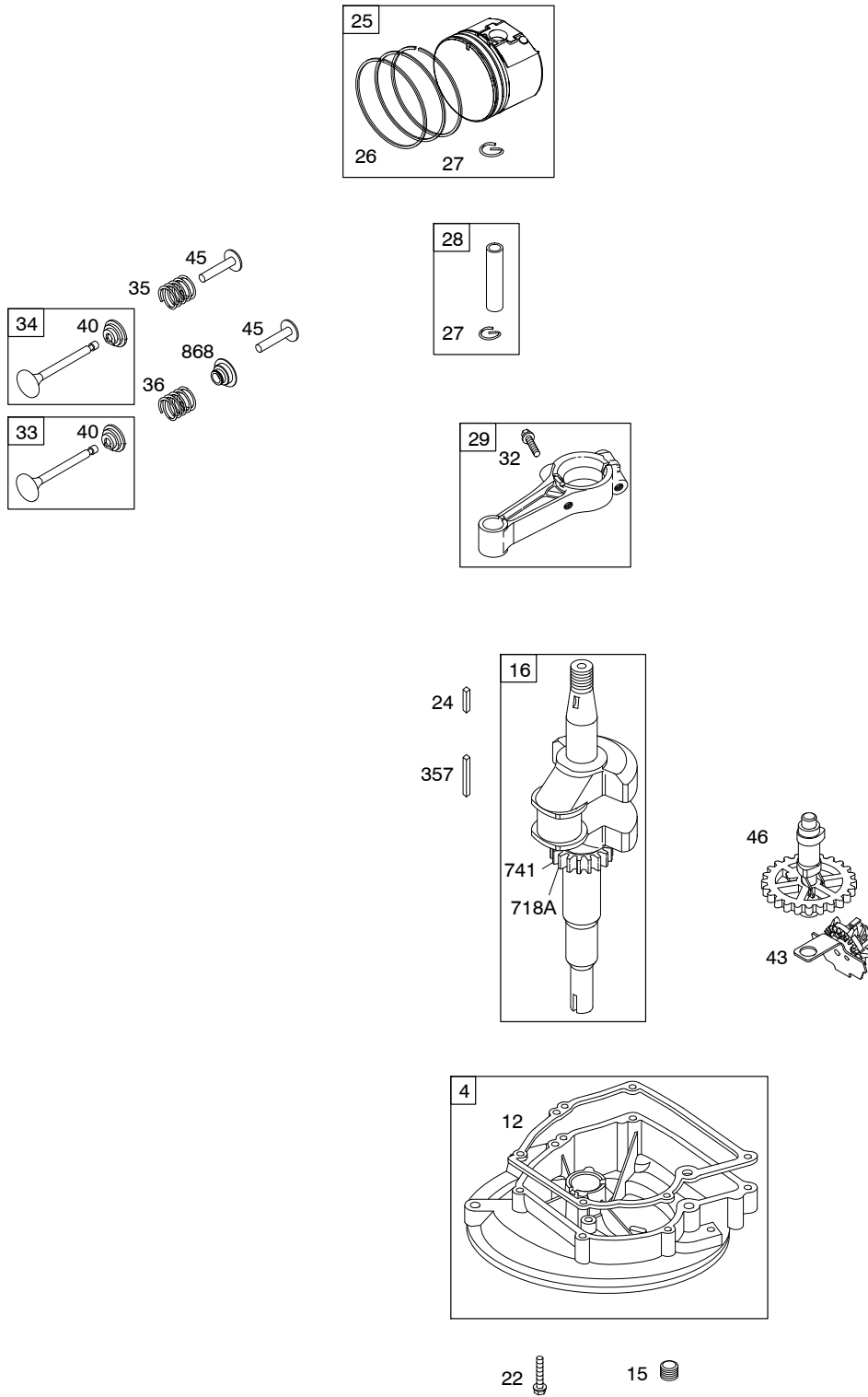
358 ENGINE GASKET SET



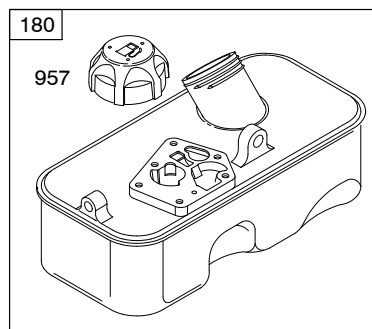
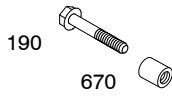
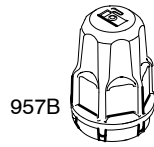
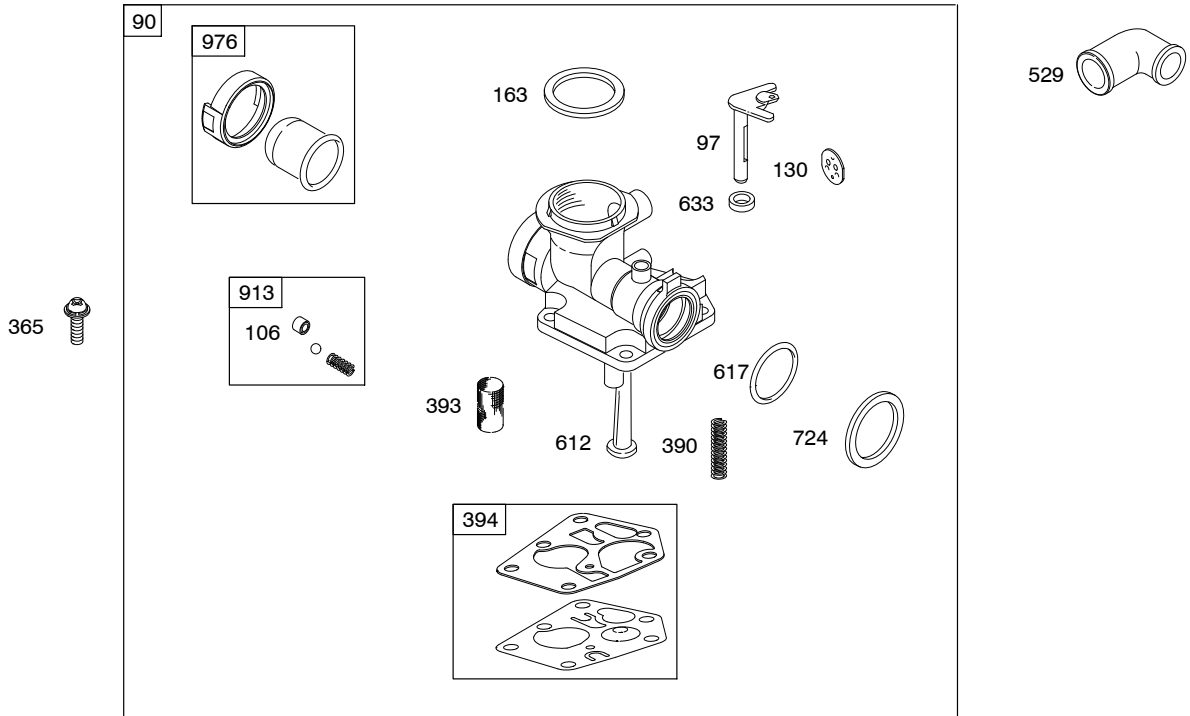
1095 VALVE GASKET SET

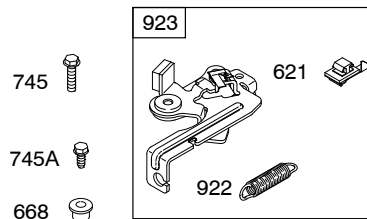
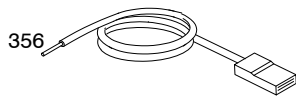
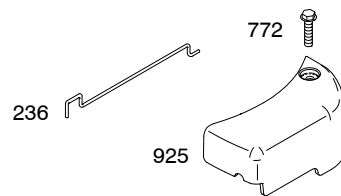
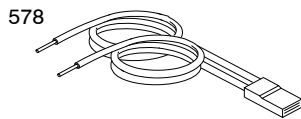
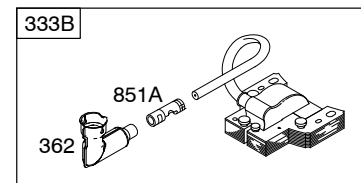
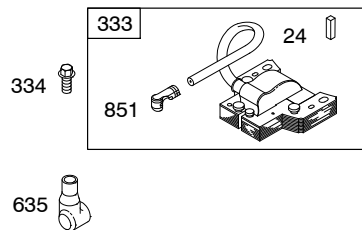
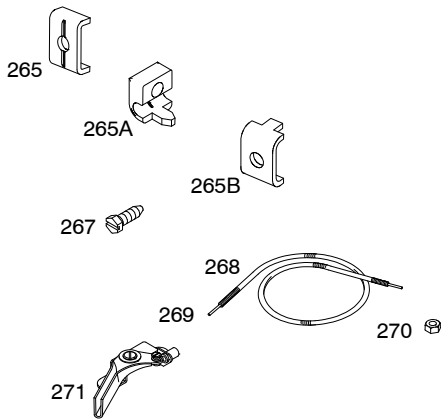
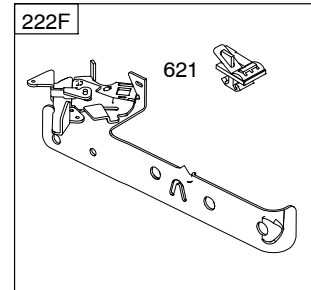
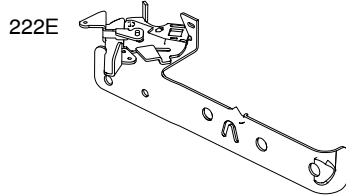
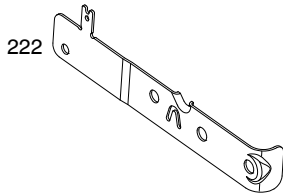


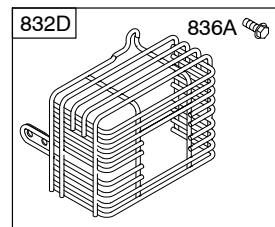
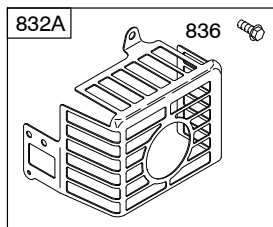
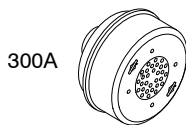
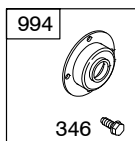
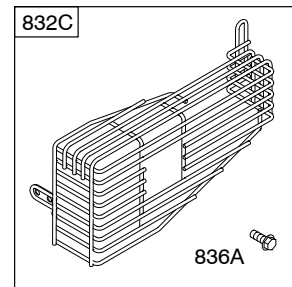
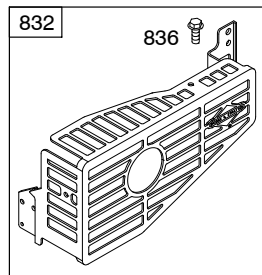
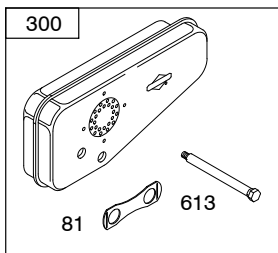
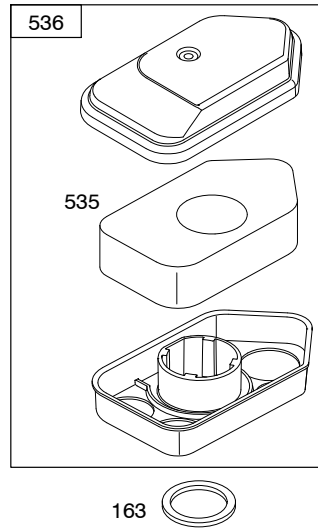
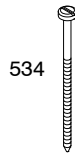
Illustrations cover a range of engines. Parts shown without corresponding text may not be used on your specific engine.
 3718-2 Assemblies include all parts shown in frames. 07/11/2008



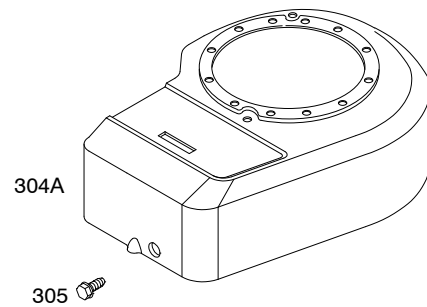
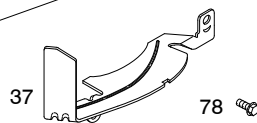
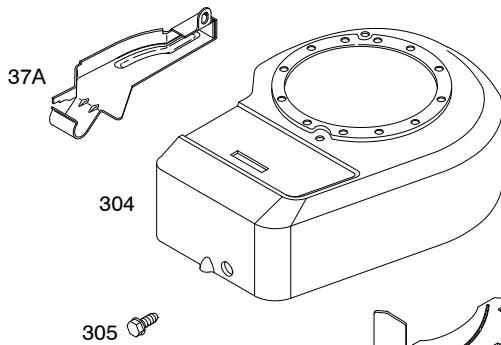
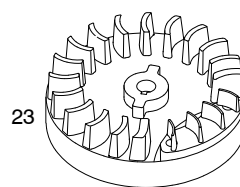
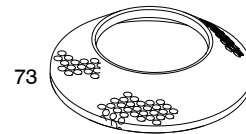
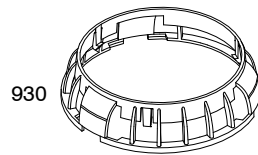
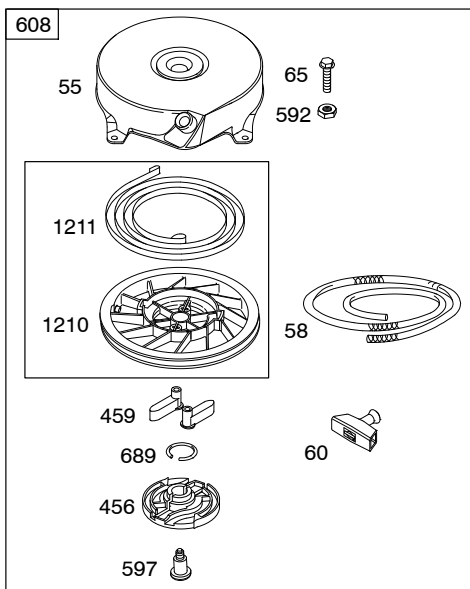
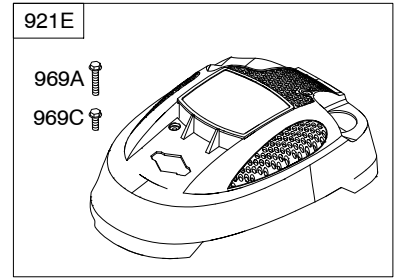
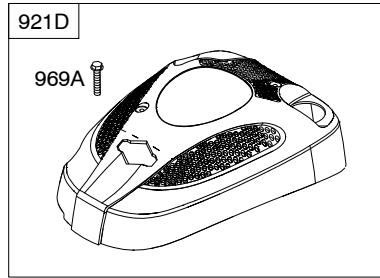
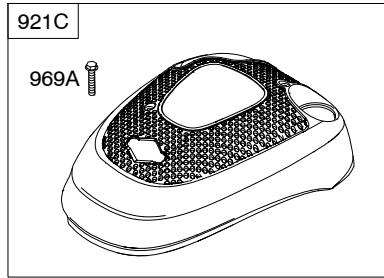
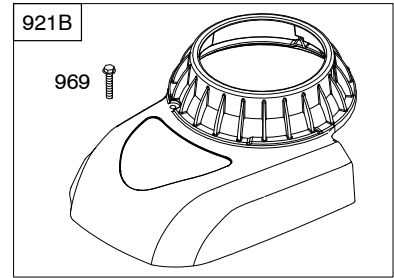
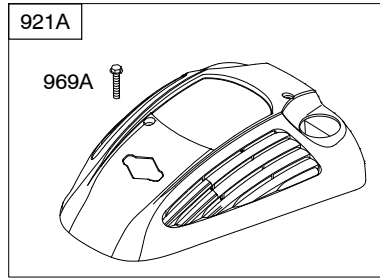
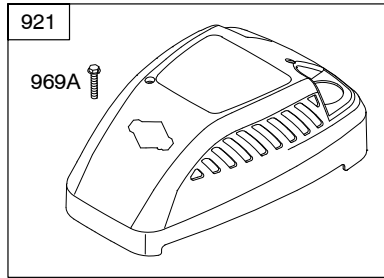
Illustrations cover a range of engines. Parts shown without corresponding text may not be used on your specific engine.
3718-3 Assemblies include all parts shown in frames. 07/11/2008







1036 EMISSIONS LABEL



Illustrations cover a range of engines. Parts shown without corresponding text may not be used on your specific engine.
 3718-7 Assemblies include all parts shown in frames. 07/11/2008

10T500

REF. NO.	PART NO.	DESCRIPTION	REF. NO.	PART NO.	DESCRIPTION	REF. NO.	PART NO.	DESCRIPTION
1	699653	Cylinder Assembly	16	692989	Crankshaft	20	★391483S	Seal-Oil (PTO Side)
2	399269	Kit-Bushing/Seal (Magneto Side)			Used on Type No(s). 0121, 0130, 0197, 0204, 0206, 0501, 0550.	22	692551	Screw (Crankcase Cover/Sump)
3	★299819S	Seal-Oil (Magneto Side)			----- Note -----	23	795549	Flywheel
4	698691	Sump-Engine			691472 Crankshaft			----- Note -----
5	790169	Head-Cylinder			Used on Type No(s). 0115, 0116, 0118, 0132, 0133, 0137, 0140, 0155, 0170, 0172, 0181, 0190, 0193, 0198, 0199, 0200, 0202, 0203, 0250, 0251, 0252, 0256, 0457, 0495, 0500, 0609, 0764, 0833, 0838, 0840, 0869, 0931, 0998, 1000, 1022, 1023, 1041, 1053, 1056, 1058, 1096, 2008, 2010, 2011, 2027, 2028, 2034, 2035, 3764, 3838, 3840.			795695 Flywheel (Used After Code Date 08012900). Used on Type No(s). 0113, 0116, 0120, 0121, 0130, 0161, 0162, 0166, 0174, 0175, 0186, 0195, 0197, 0204, 0206, 0254, 0255, 0550.
7	★Δ698717	Gasket-Cylinder Head						690843 Flywheel (Used Before Code Date 08013000). Used on Type No(s). 0113, 0116, 0120, 0121, 0130, 0161, 0162, 0166, 0174, 0175, 0186, 0195, 0197, 0204, 0206, 0254, 0255, 0550.
8	791781	Breather Assembly						795695 Flywheel Used on Type No(s). 0133, 0143.
9	★Δ695890	Gasket-Breather						
10	691666	Screw (Breather Assembly)						
11	691245	Tube-Breather						
12	★692218	Gasket-Crankcase (.015" Thick) (Standard)						
		----- Note -----						
		★270895 Gasket-Crankcase (.005" Thick)						
		★270896 Gasket-Crankcase (.009" Thick)						
13	691640	Screw (Cylinder Head)						
15	691680	Plug-Oil Drain			691471 Crankshaft Used on Type No(s). 0100, 0111, 0112, 0113, 0114, 0117, 0120, 0136, 0139, 0141, 0142, 0143, 0153, 0157, 0158, 0161, 0162, 0166, 0168, 0169, 0171, 0173, 0174, 0175, 0176, 0177, 0179, 0183, 0184, 0186, 0187, 0188, 0189, 0195, 0205, 0207, 0210, 0246, 0253, 0254, 0255, 1111, 2110.			24 222698S Key-Flywheel
								25 790908 Piston Assembly (Standard)
								----- Note -----
								792532 Piston Assembly (.020" Oversize)
								26 790909 Ring Set (Standard)
								----- Note -----
								795134 Ring Set (.020" Oversize)

★ Engine Gasket Set-Reference 358

Δ Valve Gasket Set-Reference 1095

Illustrations cover a range of engines. Parts shown without corresponding text may not be used on your specific engine.
3718-8 Assemblies include all parts shown in frames. 07/11/2008

10T500

REF. NO.	PART NO.	DESCRIPTION	REF. NO.	PART NO.	DESCRIPTION	REF. NO.	PART NO.	DESCRIPTION				
209	691297	Spring-Governor Used on Type No(s). 0100, 0115, 0186, 0250, 0457E1, 0495E1, 0500E1, 0501, 2028. ----- Note ----- 691297 Spring-Governor (Used Before Code Date 07092400). Used on Type No(s). 0457B1, 0495B1, 0500B1. 691297 Spring-Governor (Used After Code Date 07111500). Used on Type No(s). 0457B1, 0495B1, 0500B1, 691862 Spring-Governor Used on Type No(s). 0130, 0550. 690251 Spring-Governor Used on Type No(s). 0114, 0116, 0117, 0136, 0139, 0140, 0141, 0142, 0161, 0162, 0177, 0183, 0184, 0199, 0205, 0207, 0210, 0255, 0256, 0764, 0838, 0840, 1041, 1096, 2034. 690251 Spring-Governor (Used Before Code Date 07092400). Used on Type No(s). 0869, 0931, 1000, 3764, 3838, 3840. 690251 Spring-Governor (Used After Code Date 07111500). Used on Type No(s). 0833, 0869, 0931, 1000, 1022, 1023, 1053, 1056, 1058, 3764, 3838, 3840.										
					690250 Spring-Governor Used on Type No(s). 0121E1, 0133, 0204. 690250 Spring-Governor (Used Before Code Date 07092400). Used on Type No(s). 0121B1. 690250 Spring-Governor (Used After Code Date 07111500). Used on Type No(s). 0121B1. 690254 Spring-Governor Used on Type No(s). 0111, 0112, 0113, 0118, 0120, 0132, 0137, 0143, 0153, 0155, 0157, 0158, 0166, 0168, 0169, 0170, 0171, 0172, 0173, 0174, 0175, 0176, 0179, 0181, 0187, 0188, 0189, 0190, 0193, 0195, 0198, 0200, 0202, 0203, 0246, 0251, 0252, 0253, 0254, 0609, 2008, 2010, 2011, 2027, 2035, 2110. 690254 Spring-Governor (Used Before Code Date 07092400). Used on Type No(s). 0998, 1111. 690254 Spring-Governor (Used After Code Date 07111500). Used on Type No(s). 0998, 1111. 692211 Spring-Governor Used on Type No(s). 0197, 0206.							
								795160 Spring-Governor (Used Before Code Date 07111600 and After Code Date 07092300). Used on Type No(s). 0121B1, 0457B1, 0495B1, 0500B1, 0833, 0869, 0931, 0998, 1000, 1022, 1023, 1053, 1056, 1058, 1111, 3764, 3838, 3840. 211 691859 Spring-Governed Idle 222 698725 Bracket-Control (Used Before Code Date 07111600 and After Code Date 07092300). Used on Type No(s). 0121B1, 0457B1, 0495B1, 0500B1, 0833, 0869, 0931, 0998, 1000, 1022, 1023, 1053, 1056, 1058, 1111, 3764, 3838, 3840.				

★ Engine Gasket Set-Reference 358

△ Valve Gasket Set-Reference 1095

Illustrations cover a range of engines. Parts shown without corresponding text may not be used on your specific engine.
3718-10 Assemblies include all parts shown in frames. 07/11/2008

REF. NO.	PART NO.	DESCRIPTION	REF. NO.	PART NO.	DESCRIPTION	REF. NO.	PART NO.	DESCRIPTION																						
222E	691446	Bracket-Control Used on Type No(s). 0100, 0111, 0112, 0118, 0121E1, 0132, 0136, 0137, 0141, 0153, 0155, 0157, 0158, 0168, 0169, 0170, 0171, 0172, 0173, 0176, 0179, 0181, 0187, 0188, 0189, 0190, 0193, 0198, 0199, 0202, 0203, 0204, 0205, 0207, 0246, 0250, 0251, 0252, 0253, 0256, 0457E1, 0495E1, 0500E1, 0501, 0609, 0764, 0838, 0840, 1041, 1096, 2008, 2010, 2011, 2027, 2035, 2110. ----- Note ----- 691446 Bracket- Control (Used Before Code Date 07092400). Used on Type No(s). 0121B1, 0457B1, 0495B1, 0500B1, 0869, 0931, 0998, 1000, 1111, 3764, 3838, 3840. 691446 Bracket- Control (Used After Code Date 07111500). Used on Type No(s). 0121B1, 0457B1, 0495B1, 0500B1, 0833, 0869, 0931, 0998, 1000, 1022, 1023, 1053, 1056, 1058, 1111, 3764, 3838, 3840.	222F	691445	Bracket-Control Used on Type No(s). 0113, 0114, 0115, 0116, 0117, 0120, 0130, 0133, 0139, 0140, 0142, 0143, 0161, 0162, 0166, 0174, 0175, 0177, 0183, 0184, 0186, 0195, 0197, 0200, 0206, 0210, 0254, 0255, 0550, 2028, 2034. 236	691867	Link-Lockout Used on Type No(s). 0139, 0140. 265	692179	Clamp-Casing Used on Type No(s). 0116, 0142, 0166, 0183, 0184. 265A	690798	Clamp-Casing Used on Type No(s). 0100, 0117, 0120, 0132, 0139, 0140, 0162, 0179, 0195, 0198, 0199, 0200, 0205, 0207, 0256, 2011, 2028. 265B	691024	Clamp-Casing Used on Type No(s). 0115, 0118, 0210, 2034. 267	691044	Screw (Casing Clamp) 268	691025	Casing-Control Wire (Cut To Required Length) 269	691026	Wire-Control (Cut To Required Length) 270	691027	Nut (Control Wire Casing) 271	691028	Lever-Control 287	691002	Screw (Dipstick Tube)	300	692307	Muffler (Super Lo Tone) Used on Type No(s). 0100, 0111, 0112, 0113, 0114, 0115, 0116, 0117, 0118, 0120, 0121, 0132, 0133, 0136, 0137, 0139, 0140, 0141, 0142, 0143, 0153, 0155, 0157, 0158, 0161, 0162, 0166, 0168, 0169, 0170, 0171, 0172, 0173, 0174, 0175, 0176, 0177, 0179, 0183, 0184, 0186, 0187, 0188, 0189, 0190, 0193, 0195, 0197, 0198, 0199, 0200, 0202, 0203, 0204, 0205, 0207, 0210, 0252, 0253, 0254, 0255, 0256, 0609, 0833, 0838, 0931, 0998, 1000, 1111, 2011, 2027, 2028, 2034, 2035, 2110, 3838. 300A	394569S	Muffler (Round Lo Tone) Used on Type No(s). 0130, 0181, 0206, 0246, 0250, 0251, 0457, 0495, 0500, 0501, 0550, 0764, 0840, 0869, 1022, 1023, 1041, 1053, 1056, 1058, 1096, 2008, 2010, 3764, 3840.

★ Engine Gasket Set-Reference 358

△ Valve Gasket Set-Reference 1095

Illustrations cover a range of engines. Parts shown without corresponding text may not be used on your specific engine.
3718-11 Assemblies include all parts shown in frames. 07/11/2008

10T500

REF. NO.	PART NO.	DESCRIPTION	REF. NO.	PART NO.	DESCRIPTION	REF. NO.	PART NO.	DESCRIPTION
304	694051	Housing-Blower (Non Compliance Engines) Used on Type No(s). 0113, 0114, 0115, 0130, 0142, 0143, 0162, 0175, 0177, 0183, 0184, 0200, 0206, 0210, 0550, 2028, 2034. ----- Note ----- 691484 Housing-Blower (Compliance Engines) Used on Type No(s). 0100, 0136, 0139, 0140, 0141, 0153, 0155, 0168, 0179, 0246, 0250, 0251, 1111.	306	690400	Shield-Cylinder	356	692390	Wire-Stop
			307	690345	Screw (Cylinder Shield)	356C	793399	Wire-Stop
			332	690662	Nut (Flywheel)	357	692191	Key-Drive Pulley Used on Type No(s). 0197.
			333	793281	Armature-Magneto	358	699933	Gasket Set-Engine
			333B	793352	Armature-Magneto Used on Type No(s). 0111, 0112, 0113, 0114, 0116, 0120B2, 0132, 0133, 0137, 0139, 0140, 0142, 0143, 0162, 0166, 0168, 0179, 0181, 0186, 0187, 0188, 0189, 0190, 0193, 0195, 0197, 0198, 0199, 0200, 0202, 0203, 0205, 0207, 0210, 0253, 0254, 0255, 0256, 0609, 0833, 0840, 0869, 0998, 1000, 1041, 1111, 2008, 2010, 2011, 3840.	362	793351	Shield-Spark Plug
						363	19069	Puller-Flywheel
						365	790029	Screw (Carburetor)
						383	89838S	Wrench-Spark Plug
						390	691839	Spring-Choke Diaphragm
						393	691837	Screen-Carburetor
						394	795083	Diaphragm-Carburetor (Used After Code Date 07080800). ----- Note ----- 495770 Diaphragm-Carburetor (Used Before Code Date 07080900).
304A	694236	Housing-Blower (Compliance Engines) Used on Type No(s). 0111, 0112, 0118, 0132, 0137, 0157, 0158, 0169, 0170, 0171, 0172, 0173, 0176, 0181, 0187, 0188, 0189, 0190, 0193, 0198, 0199, 0202, 0203, 0205, 0207, 0252, 0253, 0256, 0457, 0495, 0500, 0501, 0609, 0764, 0833, 0838, 0840, 0869, 0931, 0998, 1000, 1022, 1023, 1041, 1053, 1056, 1058, 1096, 2008, 2010, 2011, 2027, 2035, 2110, 3764, 3838, 3840. ----- Note ----- 692536 Housing-Blower (Non Compliance Engines) Used on Type No(s). 0116, 0117, 0120, 0121, 0133, 0161, 0166, 0174, 0186, 0195, 0197, 0204, 0254, 0255.	334	691061	Screw (Magneto Armature) (1" Long)	426	691107	Screw (Governor Blade)
			335	691107	Screw (Magneto Armature With Air Vane) (1 15/16" Long)	455	691236	Cup-Flywheel
			337	802592S	Plug-Spark ----- Note ----- 697451 Plug-Spark Used on Type No(s). 0100, 0115, 0117, 0118, 0120B1, 0136, 0141, 0153, 0155, 0157, 0158, 0161, 0169, 0170, 0171, 0172, 0173, 0174, 0175, 0176, 0177, 0183, 0184, 0210, 0246, 0250, 0251, 0252, 2028, 2034, 2110.	456	692299	Plate-Pawl Friction
						459	281505S	Pawl-Ratchet
			346	690661	Screw (Spark Arrester) Used on Type No(s). 0833.	523	692040	Dipstick Used on Type No(s). 0111, 0112, 0115, 0117, 0118, 0120, 0132, 0136, 0137, 0139, 0140, 0141, 0142, 0143, 0158, 0168, 0169, 0170, 0171, 0172, 0173, 0175, 0177, 0181, 0183, 0184, 0186, 0187, 0188, 0193, 0195, 0200, 0202, 0206, 0210, 0252, 0253, 0256, 0495, 0500, 0550, 0609, 0764, 0833, 0838, 0869, 0931, 0998, 1000, 1022, 1023, 1041, 1053, 1056, 1058, 1096, 1111, 2008, 2010, 2011, 2028, 2035, 2110, 3764, 3838.
305	692198	Screw (Blower Housing)						

★ Engine Gasket Set-Reference 358

△ Valve Gasket Set-Reference 1095

Illustrations cover a range of engines. Parts shown without corresponding text may not be used on your specific engine.
3718-12 Assemblies include all parts shown in frames. 07/11/2008

REF. NO.	PART NO.	DESCRIPTION	REF. NO.	PART NO.	DESCRIPTION	REF. NO.	PART NO.	DESCRIPTION
523A	691913	Dipstick Used on Type No(s). 0100, 0113, 0114, 0116, 0121, 0133, 0143, 0153, 0155, 0157, 0161, 0162, 0166, 0174, 0176, 0179, 0189, 0190, 0197, 0198, 0199, 0203, 0204, 0205, 0207, 0246, 0250, 0251, 0254, 0255, 0457, 0501, 2027, 2034.	608	499706	Starter-Rewind (88 5/8" Rope) Used on Type No(s). 0100, 0111, 0112, 0115, 0117, 0118, 0120, 0121, 0132, 0136, 0137, 0139, 0140, 0141, 0142, 0153, 0155, 0157, 0158, 0168, 0169, 0170, 0171, 0172, 0173, 0176, 0179, 0181, 0183, 0184, 0186, 0187, 0188, 0189, 0190, 0193, 0195, 0198, 0199, 0200, 0202, 0203, 0204, 0205, 0207, 0210, 0246, 0250, 0251, 0252, 0253, 0256, 0457, 0495, 0500, 0501, 0609, 0764, 0833, 0838, 0840, 0869, 0931, 0998, 1000, 1022, 1023, 1041, 1053, 1056, 1058, 1096, 1111, 2008, 2010, 2011, 2027, 2028, 2034, 2035, 2110, 3764, 3838, 3840.	718A	499047	Pin-Locating (Crankshaft)
524	*691876	Seal-Dipstick Tube				724	697478	Retainer-Seal
525	691320	Tube-Dipstick				729	690586	Clip-Wire
529	692189	Grommet				741	691805	Gear-Timing
534	691417	Screw (Air Cleaner)				745	691146	Screw (Brake) (7/8" Long)
535	698369	Filter-Air Cleaner Foam				745A	690859	Screw (Brake) (1/2" Long)
536	698472	Cleaner-Air				772	691111	Screw (Linkage Cover)
578	398153	Wire Assembly				832	699299	Guard-Muffler (Super Lo Tone) Used on Type No(s). 0100, 0120B1.
592	690800	Nut (Rewind Starter)				832A	699670	Guard-Muffler (Round Lo Tone) Used on Type No(s). 0130, 0206, 0250, 0550.
597	691696	Screw (Pawl Friction Plate)				832C	790743	Guard-Muffler Used on Type No(s). 0111, 0112, 0113, 0114, 0115, 0116, 0117, 0118, 0120B2, 0132, 0133, 0136, 0137, 0139, 0140, 0141, 0143, 0153, 0155, 0157, 0158, 0161, 0162, 0166, 0168, 0169, 0170, 0171, 0172, 0173, 0174, 0175, 0176, 0177, 0179, 0186, 0187, 0188, 0189, 0190, 0193, 0195, 0197, 0198, 0199, 0200, 0202, 0203, 0205, 0207, 0252, 0253, 0254, 0255, 0256, 0609, 0833, 0998, 1000, 1111, 2011, 2027, 2034, 2035, 2110.
					----- Note -----			
					690101 Starter-Rope (70" Rope) Used on Type No(s). 0113, 0114, 0116, 0130, 0133, 0143, 0161, 0162, 0166, 0174, 0175, 0177, 0197, 0206, 0254, 0255, 0550.	832D	790744	Guard-Muffler Used on Type No(s). 0181, 0246, 0251, 2008, 2010.
			612	496046S	Tube-Pick Up			
			613	691413	Screw (Muffler)			
			617	270344S	Seal-O Ring (Intake Manifold)			
			621	692310	Switch-Stop			
			633	691321	Seal-Choke/Throttle Shaft (Throttle)			
			635	66538S	Boot-Spark Plug			
			668	692889	Spacer			
			670	691633	Spacer-Fuel Tank			
			689	691855	Spring-Friction			
			718	690959	Pin-Locating (Cylinder)			

★ Engine Gasket Set-Reference 358

△ Valve Gasket Set-Reference 1095

Illustrations cover a range of engines. Parts shown without corresponding text may not be used on your specific engine.

10T500

REF. NO.	PART NO.	DESCRIPTION	REF. NO.	PART NO.	DESCRIPTION	REF. NO.	PART NO.	DESCRIPTION
836	690664	Screw (Muffler Guard) Used on Type No(s). 0100, 0120B1, 0130, 0206, 0250, 0550.	836B	691125	Screw (Muffler Guard) (5/8" Long) Used on Type No(s). 0111, 0112, 0113, 0114, 0115, 0116, 0117, 0118, 0120B2, 0132, 0133, 0136, 0137, 0139, 0140, 0141, 0143, 0153, 0155, 0157, 0158, 0161, 0162, 0166, 0168, 0169, 0170, 0171, 0172, 0173, 0174, 0175, 0176, 0177, 0179, 0186, 0187, 0188, 0189, 0190, 0193, 0195, 0197, 0198, 0199, 0200, 0202, 0203, 0205, 0207, 0252, 0253, 0254, 0255, 0256, 0609, 0833, 0998, 1000, 1111, 2011, 2027, 2034, 2035, 2110.	921	694044	Cover-Blower Housing Used on Type No(s). 0171, 0172, 0175, 0177, 0183, 2010, 2110.
836A	790745	Screw (Muffler Guard) (1/2" Long) Used on Type No(s). 0111, 0112, 0113, 0114, 0115, 0116, 0117, 0118, 0120B2, 0132, 0133, 0136, 0137, 0139, 0140, 0141, 0143, 0153, 0155, 0157, 0158, 0161, 0162, 0166, 0168, 0169, 0170, 0171, 0172, 0173, 0174, 0175, 0176, 0177, 0179, 0181, 0186, 0187, 0188, 0189, 0190, 0193, 0195, 0197, 0198, 0199, 0200, 0202, 0203, 0205, 0207, 0246, 0251, 0252, 0253, 0254, 0255, 0256, 0609, 0833, 0998, 1000, 1111, 2008, 2010, 2011, 2027, 2034, 2035, 2110.	842	691870	Seal-O Ring (Dipstick Tube)	921A	793973	Cover-Blower Housing Used on Type No(s). 0111, 0118, 0132, 0137, 0143, 0173, 0181, 0184, 0193, 0200, 0202, 0206, 0252, 0253, 0256, 0495, 0609, 0838, 0931, 1053, 1058, 1096, 2008, 2011, 2035, 3838.
			847	691440	Dipstick/Tube Assembly	921B	699796	Cover-Blower Housing Used on Type No(s). 0113, 0114, 0189, 0190, 0198, 0199, 0203, 0205, 0207, 0457, 0501, 0764, 0833, 0840, 0869, 0998, 1000, 1022, 1056, 2027, 2028, 2034, 3764, 3840.
			851	493880S	Terminal-Spark Plug	921C	792273	Cover-Blower Housing Used on Type No(s). 0142, 0500, 1023, 1041.
			851A	692424	Terminal-Spark Plug	921D	795397	Cover-Blower Housing Used on Type No(s). 0115.
			868	697338	Seal-Valve	921C	796066	Cover-Blower Housing Used on Type No(s). 0210.
			869	699641	Seat-Valve (Intake)	922	692135	Spring-Brake
			870	699642	Seat-Valve (Exhaust)	923	691487	Brake
			871	699643	Bushing-Valve Guide (Exhaust)			
					----- Note ----- 63709 Bushing-Valve Guide (Intake)			
			913	494409	Seat-Check Valve			

★ Engine Gasket Set-Reference 358

△ Valve Gasket Set-Reference 1095

Illustrations cover a range of engines. Parts shown without corresponding text may not be used on your specific engine.
3718-14 Assemblies include all parts shown in frames. 07/11/2008

REF. NO.	PART NO.	DESCRIPTION	REF. NO.	PART NO.	DESCRIPTION	REF. NO.	PART NO.	DESCRIPTION
925	691349	Cover-Linkage Used on Type No(s). 0100, 0111, 0112, 0136, 0139, 0140, 0141, 0153, 0155, 0157, 0158, 0168, 0169, 0170, 0176, 0179, 0187, 0188, 0189, 0190, 0198, 0199, 0203, 0205, 0207, 0246, 0250, 0251, 0457, 0501, 0764, 0833, 0840, 0869, 0998, 1000, 1022, 1056, 1058, 1096, 1111, 2027, 3764, 3840.	957B	792878	Cap-Fuel Tank	969C	796065	Screw (Blower Housing Cover) (1 1/2" Long) Used on Type No(s). 0210.
			969	692523	Screw (Blower Housing Cover) Used on Type No(s). 0113, 0114, 0189, 0190, 0198, 0199, 0203, 0205, 0207, 0457, 0501, 0764, 0833, 0840, 0869, 0998, 1000, 1022, 1056, 2027, 2028, 2034, 3764, 3840.	976	694394	Primer-Carburetor
						994	792245	Arrester-Spark Used on Type No(s). 0833.
			969A	694046	Screw (Blower Housing Cover) (2 1/3" Long) Used on Type No(s). 0111, 0115, 0118, 0132, 0137, 0142, 0143, 0171, 0172, 0173, 0175, 0177, 0181, 0183, 0184, 0193, 0200, 0202, 0206, 0210, 0252, 0253, 0256, 0495, 0500, 0609, 0838, 0931, 1023, 1041, 1053, 1058, 1096, 2008, 2010, 2011, 2035, 2110, 3838.	1036		Label-Emissions (Available From A Briggs & Stratton Authorized Dealer)
930	691348	Guard-Rewind Used on Type No(s). 0100, 0116, 0117, 0120, 0133, 0139, 0140, 0141, 0153, 0155, 0161, 0162, 0166, 0174, 0176, 0179, 0186, 0195, 0197, 0246, 0250, 0251, 0254, 0255.				1058	277038	Operator's Manual
957	497929S	Cap-Fuel Tank				1095	498526	Gasket Set-Valve
957A	791129	Cap-Fuel Tank Used on Type No(s). 0121, 0130, 0186, 0197, 0204, 0550.				1210	499901	Pulley/Spring Assembly (Pulley)
						1211	499901	Pulley/Spring Assembly (Spring)
						1319	794467	Label-Warning
						1330	270962	Repair Manual

★ Engine Gasket Set-Reference 358

△ Valve Gasket Set-Reference 1095

Illustrations cover a range of engines. Parts shown without corresponding text may not be used on your specific engine.
3718-15 **Assemblies include all parts shown in frames.** **07/11/2008**