

135200

Illustrated Parts List

Model Series

135200

TYPE NUMBERS

0001 through 0026,
0027 through 0049,
0059 through 0075,
0079 through 0093,
0105 through 0128,
0129 through 0169,
0171 through 0200,
0202 through 0217,
0219 through 0238,
0240 through 0256,
0258 through 0269,
0271 through 0299,
0300 through 0327,
0603 through 0616,

TYPE NUMBERS

0620 through 0626,
0635 through 0660,
0670, 0671, 0679,
0700 through 0717,
0727 through 0740,
0747 through 0767,
0772 through 0791,
0814, 0815, 0913
1003 through 1050,
1060 through 1093,
1105 through 1197,
1200 through 1299,
1301 through 1333,
1336 through 1345.

TO FIND

THE CORRECT NUMBER OF THE PART YOU NEED: FOLLOW THE INSTRUCTIONS BELOW

- A. Refer to Engine Model, Type and Code Number that is stamped on the blower housing of engine. Engine type numbers such as 0123 01 are listed only as 0123 in most instances. The two digits (01 or 02, etc.) to the right of the space may be required for more accurate parts identification in some instances. Select the Illustrated Parts List covering the correct Model Series and Type Number.
- B. Refer to the Illustrations and compare the original part with Illustration. The number next to the illustration is the Reference Number. Assemblies include all parts shown in frames. All parts shown in assembly frames having individual reference numbers can be purchased separately.
- C. After the Reference Number has been identified, refer to the Numerical text, where Reference and Primary Part Number are listed. **THE PRIMARY PART IS USED ON ALL TYPE NUMBERS EXCEPT THOSE TYPE NUMBERS UNDER "NOTE."**
- D. If a "Note" appears below the Primary Part Number, it means that this part differs from the Primary Part for certain types. If your Type number is listed under "Note," order the part referred to at the "Note."
- E. If your Engine Type Number does not appear after any part number listed under "Note," use the Primary Part Number.
- F. For Engine Type Numbers not covered by this book, check other Parts Lists having the same engine model or contact your source of supply.

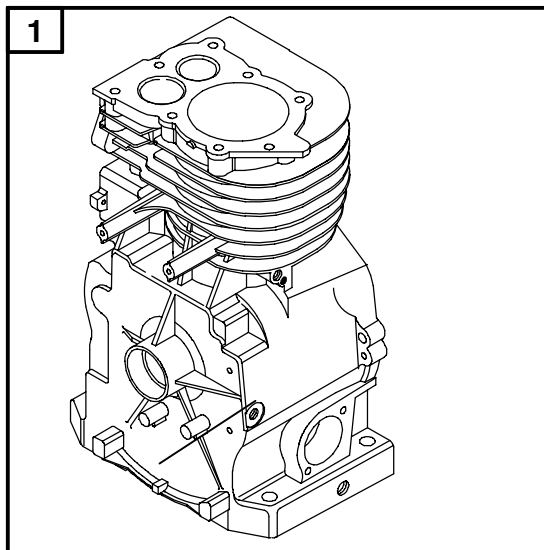
PRINTED IN U.S.A.

BRIGGS & STRATTON



COPYRIGHT by BRIGGS & STRATTON CORPORATION
All rights reserved. No part of this material may be reproduced or transmitted, in any form or by any means, electronic or mechanical, including photocopying, recording or by any information storage and retrieval system, without permission in writing from Briggs & Stratton Corporation.

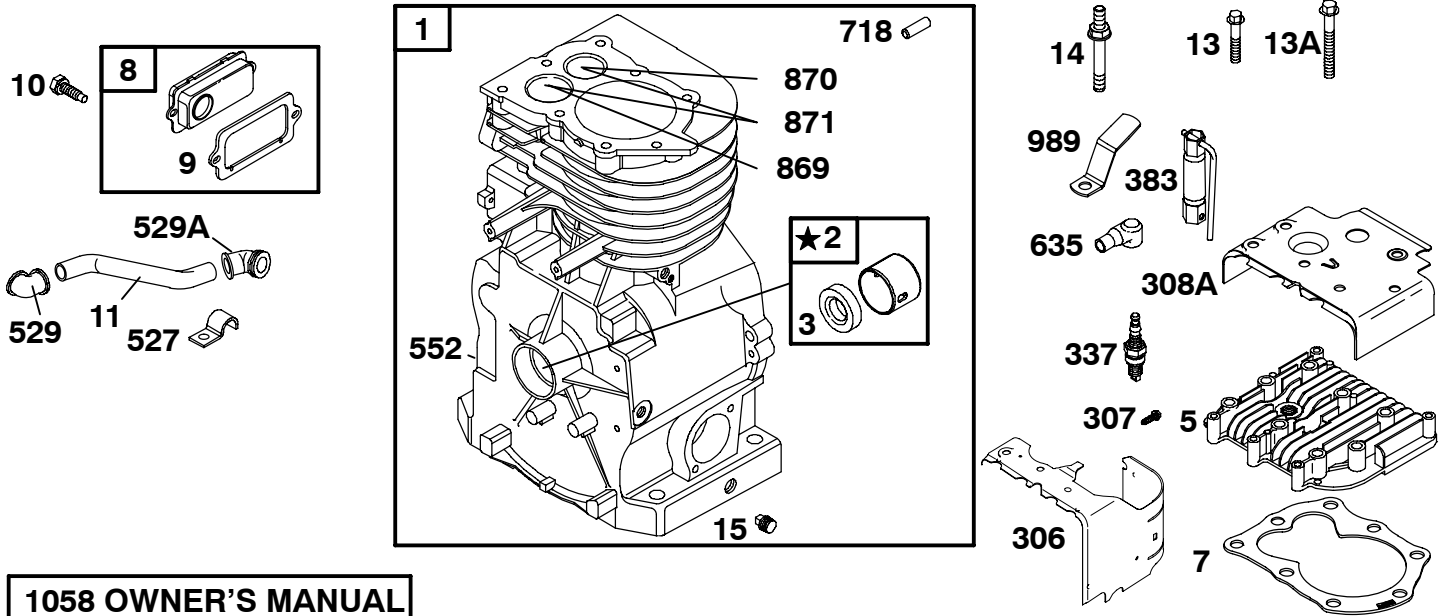
135200 to 135299



REF. NO.	PART NO.	DESCRIPTION	REF. NO.	PART NO.	DESCRIPTION	REF. NO.	PART NO.	DESCRIPTION
1	497144	Cylinder Assembly ----- Note ----- 494955 Cylinder Assembly Used on Type No(s). 0011, 0013, 0022, 0025, 0026, 0059, 0072, 0075, 0080, 0082, 0083, 0084, 0093, 0115, 0121,		0126, 0138, 0157, 0162, 0163, 0164, 0166, 0168, 0181, 0205, 0215, 0225, 0226, 0236, 0241, 0244, 0247, 0248, 0251, 0252, 0256, 0259, 0264, 0277, 0291, 0292, 0297, 0299, 0312, 0314,			0327, 0611, 0625, 0626, 0752, 0757, 0762, 0791, 1011, 1012, 1025, 1026, 1072, 1075, 1080, 1084, 1093, 1115, 1157, 1215, 1252, 1291, 1292, 1312, 1314, 1327, 1328, 1333, 1337, 1340.	

★ Included in Engine Gasket Set-Ref. 358.
● Included in Carburetor Overhaul Kit-Ref. 121.

∅ Included in Valve Gasket Set-Ref. 1095.



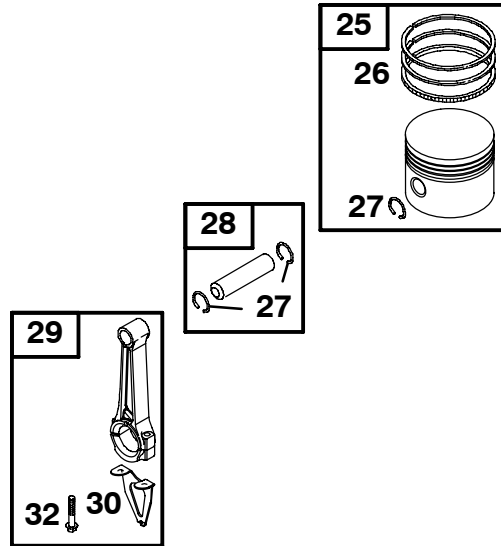
1058 OWNER'S MANUAL

REF. NO.	PART NO.	DESCRIPTION	REF. NO.	PART NO.	DESCRIPTION	REF. NO.	PART NO.	DESCRIPTION
1		Cylinder Assembly (See previous page)	13	691640	Screw (Cylinder Head)	869	691705	Seat-Valve (Intake)
2	399269	Kit-Bushing/Seal (Magneto Side) (Used After Code Date 94012300).	13A	691659	Screw (Cylinder Head)	870	691701	Seat-Valve (Exhaust)
		----- Note ----- 297565 Kit-Bushing/ Seal (Magneto Side) (Used Before Code Date 94012400).	14	691690	Stud (Cylinder Head)	871	262001	Bushing-Valve Guide (Exhaust)
3	★299819S	Seal-Oil (Magneto Side)	15	691686	Plug-Oil Drain (Standard)			----- Note ----- 63709 Bushing-Valve Guide (Intake)
5	691716	Head-Cylinder	306	694514	Shield-Cylinder	989	221828	Stopswitch-Spark Plug Used on Type No(s). 1011, 1012.
7	★∅272157S	Gasket-Cylinder Head	307	691660	Screw (Cylinder Shield)	1058	274266	Owner's Manual (Emission) ----- Note ----- 276646 Owner's Manual (Non Emission)
8	699448	Breather Assembly	308A	690473	Cover-Cylinder Head (Full)			
9	★∅27549	Gasket-Breather	337	802592S	Plug-Spark			
10	691666	Screw (Breather Assembly)	383	89838	Wrench-Spark Plug			
11	231550	Tube-Breather ----- Note ----- 230722 Tube-Breather Used on Type No(s). 0299. 690517 Tube-Breather Used on Type No(s). 1011, 1012.	527	691741	Clamp-Tube			
			529	692189	Grommet (90 Degree)			
			529A	692187	Grommet (120 Degree)			
			552	690508	Bushing-Governor Crank			
			635	66538	Boot-Spark Plug			
			718	690959	Pin-Locating			

★ Included in Engine Gasket Set-Ref. 358.
● Included in Carburetor Overhaul Kit-Ref. 121.

∅ Included in Valve Gasket Set-Ref. 1095.

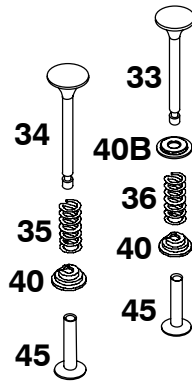
135200 to 135299



REF. NO.	PART NO.	DESCRIPTION	REF. NO.	PART NO.	DESCRIPTION	REF. NO.	PART NO.	DESCRIPTION
25	790908	Piston Assembly (Standard) (Used After Code Date 99011100). ----- Note ----- 298904 Piston Assembly (Standard) (Used Before Code Date 99011200). 792532 Piston Assembly (.020" Oversize) (Used After Code Date 99011100). 298906 Piston Assembly (.020" Oversize) (Used Before Code Date 99011200). 298907 Piston Assembly (.030" Oversize) (Used Before Code Date 99011200).	26	498680	Ring Set (Standard) (Used After Code Date 99011100). ----- Note ----- 298982 Ring Set (Standard) (Used Before Code Date 99011200). 498682 Ring Set (.020" Oversize) (Used After Code Date 99011100). 298984 Ring Set (.020" Oversize) (Used Before Code Date 99011200). 498683 Ring Set (.030" Oversize) (Used After Code Date 99011100).	27	691588	Lock-Piston Pin
						28	298909	Pin-Piston (Standard) ----- Note ----- 298908 Pin-Piston (.005" Oversize)
						29	299430	Rod-Connecting
						30	691759	Dipper-Connecting Rod
						32	691664	Screw (Connecting Rod)

★ Included in Engine Gasket Set-Ref. 358.
● Included in Carburetor Overhaul Kit-Ref. 121.

∅ Included in Valve Gasket Set-Ref. 1095.

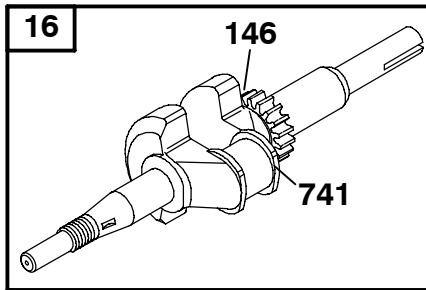


REF. NO.	PART NO.	DESCRIPTION	REF. NO.	PART NO.	DESCRIPTION	REF. NO.	PART NO.	DESCRIPTION
33	211119S	Valve-Exhaust	35	690520	Spring-Valve (Intake)	40	692194	Retainer-Valve
34	261044S	Valve-Intake	36	692180	Spring-Valve (Exhaust)	40B	691760	Retainer-Valve (Exhaust)
						45	690509	Tappet-Valve

★ Included in Engine Gasket Set-Ref. 358.
 ● Included in Carburetor Overhaul Kit-Ref. 121.

∅ Included in Valve Gasket Set-Ref. 1095.

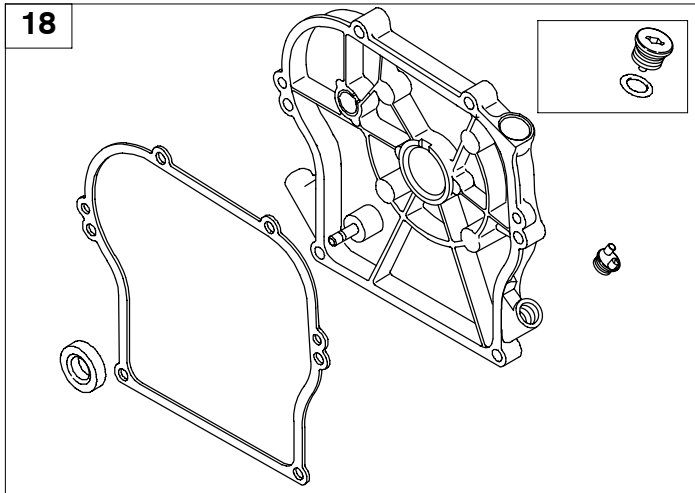
135200 to 135299



REF. NO.	PART NO.	DESCRIPTION	REF. NO.	PART NO.	DESCRIPTION	REF. NO.	PART NO.	DESCRIPTION				
16	492088	Crankshaft (No Longer Available) ----- Note ----- 397095 Crankshaft Used on Type No(s). 0049, 0107, 0155, 0215, 0243, 0277, 0649, 1049, 1215. 397103 Crankshaft Used on Type No(s). 0020, 0117, 0132, 0258, 0620, 0728, 0759, 1299, 1020, 1128, 1231, 1258, 1299. 494035 Crankshaft Used on Type No(s). 0026, 0115, 0129, 0151, 0160, 0162, 0163, 0164, 0166, 0199, 0211, 0244, 0252, 0292, 0297, 0327, 0626, 0729, 0752, 1327, 1026, 1115, 1129, 1160, 1252, 1292, 1340. 692140 Crankshaft Used on Type No(s). 1080, 1314. 495642 Crankshaft Used on Type No(s). 0080, 0314. 495643 Crankshaft Used on Type No(s). 0038, 0059, 0072, 0075, 0082, 0083, 0093, 0126, 0228, 0241, 0251, 0291, 0311, 0312, 0638, 0791, 1038, 1072, 1075, 1093, 1291, 1312.										
					495644 Crankshaft Used on Type No(s). 0035, 0084, 0131, 0247, 0301, 0326, 0635, 1035, 1084, 1301, 1326, 1328, 1333. 495645 Crankshaft Used on Type No(s). 0009, 0018, 0019, 0027, 0029, 0036, 0073, 0106, 0116, 0125, 0128, 0131, 0133, 0134, 0139, 0143, 0161, 0165, 0168, 0176, 0179, 0181, 0186, 0192, 0200, 0208, 0212, 0217, 0227, 0230, 0249, 0250, 0256, 0264, 0268, 0283, 0288, 0299, 0303, 0317, 0318, 0636, 0700, 0717, 0730, 0762, 0779, 0788, 1009, 1012, 1019, 1027, 1029, 1036, 1050, 1073, 1106, 1139, 1143, 1161, 1179, 1186, 1200, 1217, 1250, 1268, 1283, 1288, 1317, 1318. 495649 Crankshaft Used on Type No(s). 0003, 0007, 0060, 0144, 0146, 0148, 0152, 0167, 0171, 0177, 0178, 0183, 0188, 0189, 0190, 0191, 0196, 0197, 0213, 0240, 0255, 0272, 0273, 0289, 0300, 0305, 0603, 0607, 0660, 0767, 0790, 0815, 1003, 1007, 1060, 1146,							1167, 1171, 1190, 1197, 1289, 1330. 499764 Crankshaft Used on Type No(s). 0079, 0140, 0223, 0263, 0294, 0298, 0302, 0307, 0308, 0679, 0702, 0913, 1008, 1079, 1140, 1223, 1263, 1308, 1313. 499765 Crankshaft Used on Type No(s). 0014, 0253. 692142 Crankshaft Used on Type No(s). 0740, 0814, 1261.
						17	692007	Bearing-Ball				
						24	222698S	Key-Flywheel				
						146	690979	Key-Timing (Used with Timing Gear 691847)				
								----- Note ----- 499047 Key-Timing (Used with Timing Gear 261696)				
						357	692191	Key-Drive Pulley				
						357A	690339	Key-Drive Pulley (Woodruff)				
						741	691847	Gear-Timing (Uses Woodruff Key)				
								----- Note ----- 261696 Gear-Timing (Uses Locating Pin)				

★ Included in Engine Gasket Set-Ref. 358.
● Included in Carburetor Overhaul Kit-Ref. 121.

∅ Included in Valve Gasket Set-Ref. 1095.

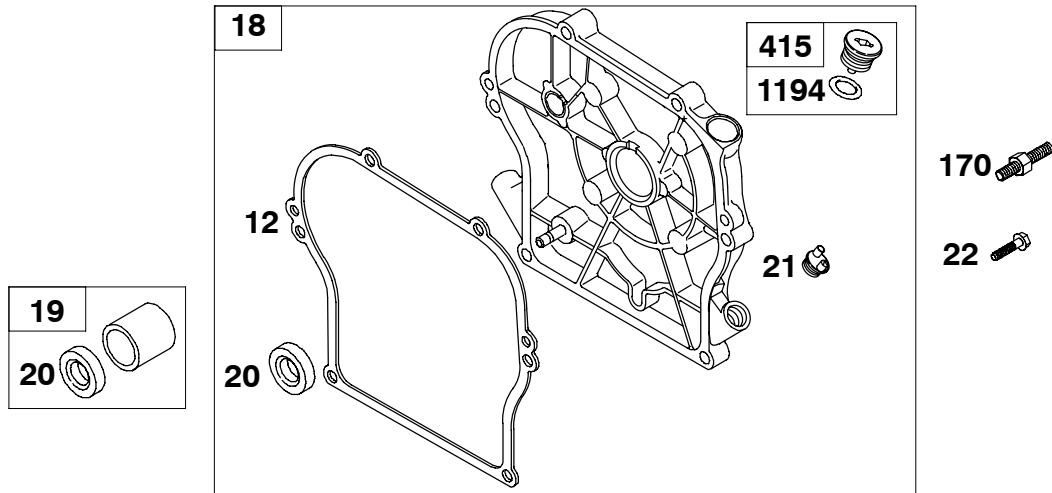


REF. NO.	PART NO.	DESCRIPTION	REF. NO.	PART NO.	DESCRIPTION	REF. NO.	PART NO.	DESCRIPTION
18	694377	Cover-Crankcase (Gear Reduction) ----- Note ----- 694375 Cover-Crankcase (Auxillary PTO)		694350	Cover-Crankcase (Plain Bearing)		694319	Cover-Crankcase (Ball Bearing)

★ Included in Engine Gasket Set-Ref. 358.
● Included in Carburetor Overhaul Kit-Ref. 121.

∅ Included in Valve Gasket Set-Ref. 1095.

135200 to 135299



REF. NO.	PART NO.	DESCRIPTION	REF. NO.	PART NO.	DESCRIPTION	REF. NO.	PART NO.	DESCRIPTION
12	★692213	Gasket-Crankcase (Standard) ----- Note ----- ★270125 Gasket-Crankcase (.005" Thick) ★270126 Gasket-Crankcase (.009" Thick)		0293, 0295, 0304, 0306, 0309, 0310, 0315, 0316, 0320, 0324, 0603, 0611, 0615, 0616, 0620, 0625, 0670, 0671, 0704, 0706, 0727, 0728, 0757, 0758, 0759, 0780, 0784, 1003, 1004, 1005, 1011, 1016, 1020, 1025, 1070, 1071, 1105, 1119, 1127, 1128, 1142, 1153, 1154, 1157, 1158, 1159, 1169, 1171, 1180, 1194, 1231, 1232, 1238, 1245, 1258, 1259, 1260, 1261, 1263, 1271, 1276, 1281, 1284, 1289, 1299, 1304, 1310, 1315, 1320, 1324, 1329, 1336, 1337, 1338.		0232, 0236, 0254, 0260, 0265, 0269, 0295, 0309, 0310, 0320, 0324, 0611, 0670, 0671, 0728, 0757, 0758, 0780, 1011, 1070, 1071, 1128, 1154, 1157, 1158, 1169, 1173, 1180, 1194, 1232, 1260, 1261, 1265, 1309, 1310, 1320, 1324, 1336, 1337, 1338, 1343.		
18		Cover-Crankcase (See Previous Page)		691952 Seal-Oil (PTO Side) Used on Type No(s). 0001, 0003, 0004, 0005, 0015, 0016, 0020, 0025, 0105, 0114, 0117, 0118, 0119, 0127, 0132, 0136, 0142, 0145, 0150, 0153, 0156, 0157, 0159, 0171, 0175, 0178, 0182, 0183, 0185, 0193, 0194, 0195, 0209, 0210, 0214, 0222, 0237, 0238, 0245, 0253, 0254, 0258, 0260, 0262, 0263, 0265, 0269, 0271, 0274, 0276, 0281, 0284, 0285, 0289,		692019 Seal-Oil (PTO Side) Used on Type No(s). 0026, 0115, 0129, 0151, 0160, 0162, 0163, 0164, 0166, 0199, 0211, 0244, 0252, 0292, 0327, 0626, 0752, 1026, 1115, 1129, 1160, 1252, 1292, 1327.		
19	495660	Kit-Bushing/Seal (PTO Side)			21 281658S Cap-Oil Fill			
20	★495307	Seal-Oil (PTO Side) ----- Note ----- 294606 Seal-Oil (PTO Side) Used on Type No(s). 0001, 0003, 0004, 0005, 0015, 0016, 0020, 0025, 0105, 0114, 0117, 0118, 0119, 0127, 0132, 0136, 0142, 0145, 0150, 0153, 0156, 0157, 0159, 0171, 0175, 0178, 0182, 0183, 0185, 0193, 0194, 0195, 0209, 0210, 0214, 0222, 0237, 0238, 0245, 0253, 0254, 0258, 0260, 0262, 0263, 0265, 0269, 0271, 0274, 0276, 0281, 0284, 0285, 0289,			22 691551 Screw (Crankcase Cover)			
					170 691120 Stud (Crankcase Cover, Install In #1 and/or #2 Positions)			
					415 691363 Plug (Crankcase Cover)			
					1194 ★691876 Seal-O Ring (Plug)			

★ Included in Engine Gasket Set-Ref. 358.
● Included in Carburetor Overhaul Kit-Ref. 121.

∅ Included in Valve Gasket Set-Ref. 1095.

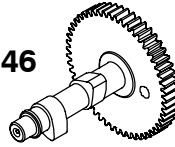
219



220



46



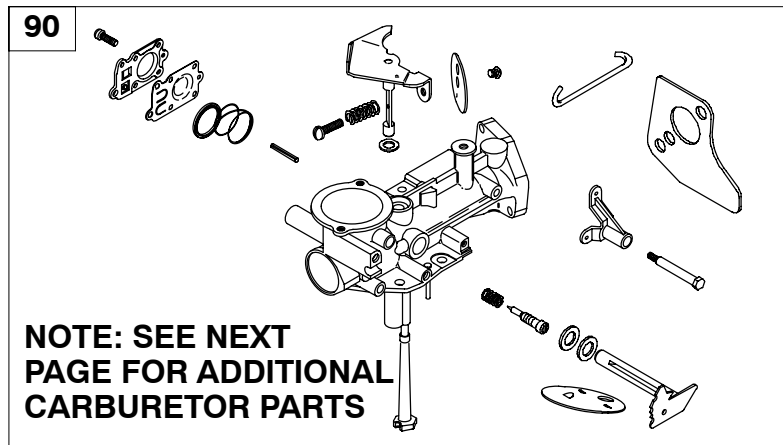
REF. NO.	PART NO.	DESCRIPTION	REF. NO.	PART NO.	DESCRIPTION	REF. NO.	PART NO.	DESCRIPTION
46	691164	Camshaft (Used After Code Date 96112400). ----- Note ----- 691166 Camshaft (Used After Code Date 96112400). Used on Type No(s). 0173, 0214, 0309, 0611, 0670, 0671, 0728, 0757, 0758, 0780, 1011, 1070, 1071, 1128, 1154, 1157, 1158, 1169, 1180, 1194, 1232, 1261, 1265, 1309, 1310, 1320, 1324, 1336, 1337, 1338, 1343.		691166	Camshaft (Used Before Code Date 96112500). Used on Type No(s). 0070, 0071, 0108, 0120, 0121, 0124, 0141, 0154, 0157, 0158, 0169, 0174, 0180, 0182, 0194, 0198, 0202, 0203, 0204, 0205, 0206, 0207, 0209, 0216, 0232, 0236, 0254, 0260, 0265, 0269, 0295, 0309, 0310, 0320, 0322, 0324, 0611, 0670, 0671, 0757, 0758, 0780. 692526 Camshaft (Used Before Code Date 96112500). Used on Type No(s). 0173, 0214.	219	494845	Gear-Governor ----- Note ----- 391737 Gear-Governor (Used Before Code Date 91061000).
						220	691724	Washer (Governor Gear)

★ Included in Engine Gasket Set-Ref. 358.
● Included in Carburetor Overhaul Kit-Ref. 121.

∅ Included in Valve Gasket Set-Ref. 1095.

135200 to 135299

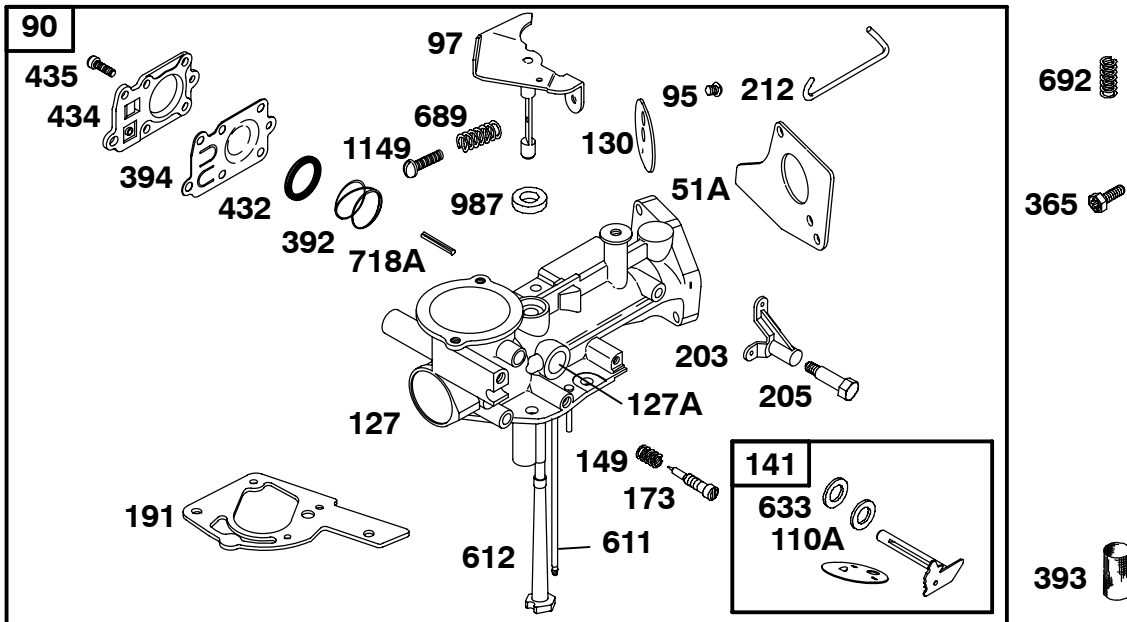
147 



REF. NO.	PART NO.	DESCRIPTION	REF. NO.	PART NO.	DESCRIPTION	REF. NO.	PART NO.	DESCRIPTION	
90	498298	Carburetor ----- Note ----- 495951 Carburetor Used on Type No(s). 0185, 0263. 495425 Carburetor Used on Type No(s). 0214. 498298 Carburetor Used on Type No(s). 0309, 0603, 0607, 0611, 0615, 0616, 0620, 0623, 0625, 0626, 0635, 0636, 0638, 0649, 0660, 0670, 0671, 0679, 0700, 0702, 0704, 0717, 0706, 0727, 0728, 0729, 0730, 0740, 0747, 0752, 0757, 0758, 0759, 0762, 0767, 0772, 0779, 0780, 0784, 0788, 0790, 0814, 0815, 0913, 1003, 1004, 1005, 1007, 1008, 1009, 1011, 1019, 1020, 1023, 1025, 1027, 1029, 1035, 1036, 1049, 1050, 1060, 1070, 1071, 1073, 1079, 1080, 1084, 1105, 1106, 1119, 1127, 1128, 1129, 1139, 1140, 1142, 1143, 1146, 1147, 1153, 1154, 1157, 1158,			1159, 1161, 1167, 1169, 1171, 1173, 1179, 1180, 1190, 1194, 1196, 1197, 1200, 1215, 1216, 1217, 1219, 1223, 1231, 1232, 1238, 1242, 1245, 1246, 1250, 1258, 1259, 1261, 1268, 1271, 1276, 1281, 1283, 1284, 1288, 1289, 1289, 1299, 1301, 1304, 1308, 1310, 1313, 1314, 1315, 1317, 1318, 1320, 1324, 1326, 1328, 1329, 1330, 1333, 1336, 1337, 1338, 1340, 1342, 1343, 1345.				0788, 0790, 0814, 0815, 0913, 1003, 1004, 1005, 1007, 1008, 1009, 1011, 1019, 1020, 1023, 1025, 1027, 1029, 1035, 1036, 1049, 1050, 1060, 1070, 1071, 1073, 1079, 1080, 1084, 1105, 1106, 1119, 1127, 1128, 1129, 1139, 1140, 1142, 1143, 1146, 1147, 1153, 1154, 1157, 1158, 1159, 1161, 1167, 1169, 1171, 1173, 1179, 1180, 1190, 1194, 1196, 1197, 1200, 1215, 1216, 1217, 1219, 1223, 1231, 1232, 1238, 1242, 1245, 1246, 1250, 1258, 1259, 1261, 1268, 1271, 1276, 1281, 1283, 1284, 1288, 1289, 1289, 1299, 1301, 1304, 1308, 1313, 1314, 1315, 1317, 1318, 1320, 1324, 1326, 1328, 1329, 1330, 1333, 1336, 1337, 1338, 1340, 1342, 1343. 692725 Jet-Pilot (High Altitude)
			147	691250	Jet-Pilot (Standard) Used on Type No(s). 0309, 0603, 0607, 0611, 0615, 0616, 0620, 0623, 0625, 0626, 0635, 0636, 0638, 0649, 0660, 0670, 0671, 0679, 0700, 0702, 0704, 0717, 0706, 0727, 0728, 0729, 0730, 0740, 0747, 0752, 0757, 0758, 0759, 0762, 0767, 0772, 0779, 0780, 0784,				

★ Included in Engine Gasket Set-Ref. 358.
● Included in Carburetor Overhaul Kit-Ref. 121.

∅ Included in Valve Gasket Set-Ref. 1095.

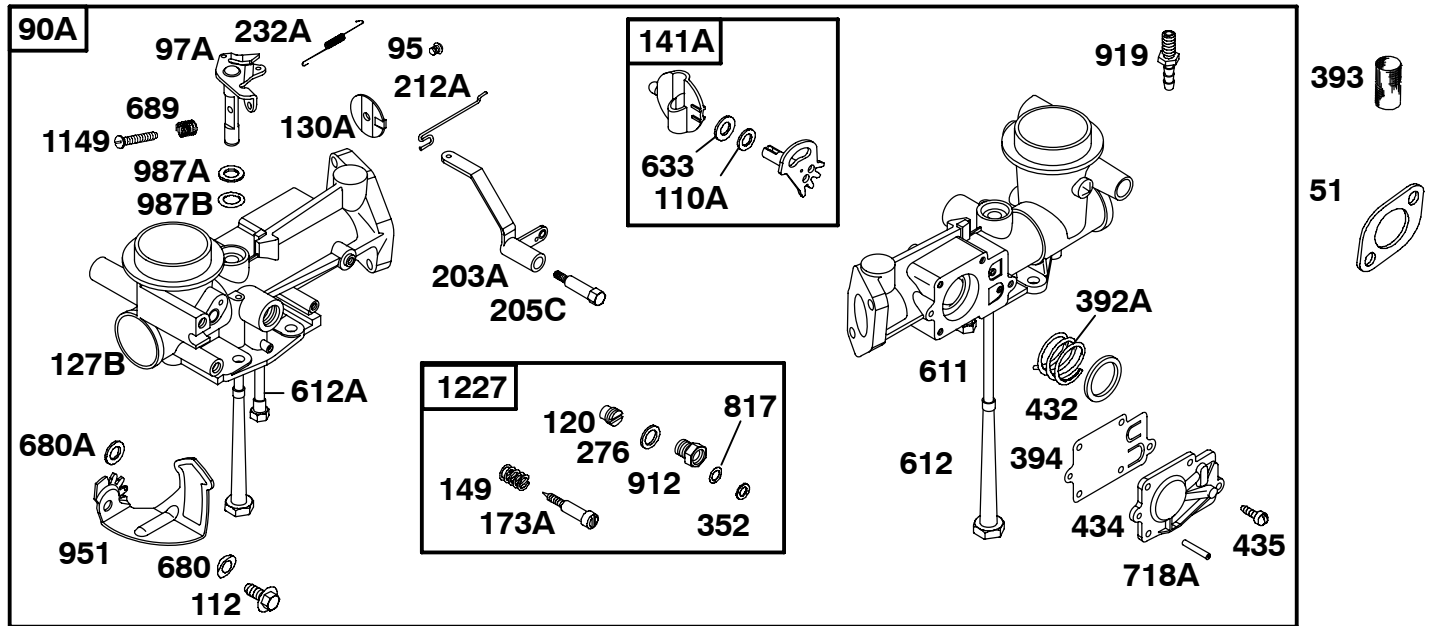


REF. NO.	PART NO.	DESCRIPTION	REF. NO.	PART NO.	DESCRIPTION	REF. NO.	PART NO.	DESCRIPTION
51A★	273113	Gasket-Intake	191	★692241	Gasket-Fuel Tank	633	691869	Seal-Choke/Throttle Shaft
90		Carburetor (See Previous Page)	203	691906	Crank-Bell (Standard, Nylon)			(Choke Shaft)
95	691437	Screw (Throttle Valve)	205	691776	Screw (Bell Crank)			(Felt)
97	692325	Shaft-Throttle	212	691812	Link-Throttle	689	691783	Spring-Friction (Idle Screw)
110A	690401	Washer (Choke Shaft) (Brass)	365	690953	Screw (Carburetor)	692	690572	Spring-Detent (Used On Part
127	691718	Plug-Welch	392	691823	Spring-Pump Diaphragm	718A	690296	Pin-Locating (Pump Cover)
127A	691742	Plug-Welch	393	691213	Screen-Carburetor			
130	691743	Valve-Throttle	394	●272538	Diaphragm-Carburetor	987	695273	Seal-Throttle Shaft (Foam)
141	497230	Kit-Choke Shaft (Used After Code Date 94083100). ----- Note ----- 491177 Kit-Choke Shaft (Used Before Code Date 94090100).	432	690766	Cap-Spring	1149	691624	Screw (Throttle Shaft) (Idle Speed Adjusting Only)
149	●691592	Spring-Needle Valve	434	691713	Cover-Diaphragm			
173	●691777	Valve-Idle Mixture (Idle)	435	691619	Screw (Diaphragm Cover)			
			611	691770	Pipe-Fuel			
			612	391813	Tube-Pick Up (Uses Clip Spring) ----- Note ----- 297219 Tube-Pick Up (Uses Spiral Pin) Used on Type No(s). 0214.			

★ Included in Engine Gasket Set-Ref. 358.
● Included in Carburetor Overhaul Kit-Ref. 121.

∅ Included in Valve Gasket Set-Ref. 1095.

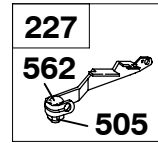
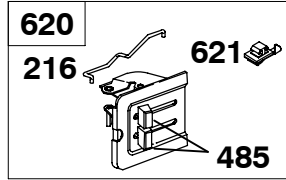
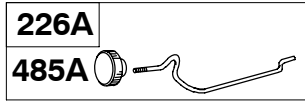
135200 to 135299



REF. NO.	PART NO.	DESCRIPTION	REF. NO.	PART NO.	DESCRIPTION	REF. NO.	PART NO.	DESCRIPTION
51	★27355	Gasket-Intake Used on Type No(s). 0299, 1101, 1012, 1309.	205C	691630	Screw (Bell Crank)	680	691089	Washer (Choke Lever) (Spring)
90A	397135	Carburetor Used on Type No(s). 1011, 1012. ----- Note ----- 299437 Carburetor Used on Type No(s). 0299. 498298 Carburetor Used on Type No(s). 1309.	212A	691786	Link-Throttle Used on Type No(s). 0299, 1101, 1012, 1309.	680A	691607	Washer (Choke Lever) (Flat)
95	691437	Screw (Throttle Valve)	232A	690498	Spring-Governor Link Used on Type No(s). 0299, 1101, 1012, 1309.	689	691783	Spring-Friction (6 Coil, Closed Ends, Idle Screw)
97A	691946	Shaft-Throttle Used on Type No(s). 0299, 1101, 1012, 1309.	276	●691608	Washer-Sealing	718A	690296	Pin-Locating (Pump Cover)
110A	690401	Washer (Choke Shaft) (Brass)	352	●690257	Washer (High Speed Valve)	817	●691606	Seal-O Ring (High Speed Valve)
112	691091	Screw (Choke Lever)	392A	692206	Spring-Pump Diaphragm Used on Type No(s). 0299, 1101, 1012, 1309.	912	●690504	Nut-Needle Valve
120	●692134	Seat-Needle Valve	393	691213	Screen-Carburetor	919	692783	Connector-Vacuum Tube
127B	691585	Plug-Welch	394	●272538	Diaphragm-Carburetor (Pump)	951	691180	Lever-Choke
130A	211203	Valve-Throttle	432	690766	Cap-Spring	987A	692279	Seal-Throttle Shaft (Felt) ----- Note ----- 270167 Seal-Throttle Shaft (Felt) Used on Type No(s). 0299.
141A	397134	Kit-Choke Shaft	434	691713	Cover-Diaphragm	987B	692001	Seal-Throttle Shaft (Lip Seal)
149	●691592	Spring-Needle Valve	435	691619	Screw (Diaphragm Cover)	1149	691624	Screw (Throttle Shaft) (Idle Speed Adjusting Only)
173A	●690266	Valve-Idle Mixture (Main)	611	691770	Pipe-Fuel	1227	●299060	Valve-High Speed
203A	691965	Crank-Bell (Steel, Long)	612	391813	Tube-Pick Up (Uses Clip Spring)			
			612A	497413	Tube-Pick Up (Uses Spiral Pin)			
			633	691869	Seal-Choke/Throttle Shaft (Choke Shaft) (Felt)			

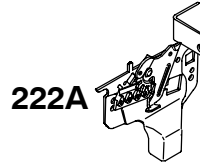
★ Included in Engine Gasket Set-Ref. 358.
● Included in Carburetor Overhaul Kit-Ref. 121.

∅ Included in Valve Gasket Set-Ref. 1095.



- 688
- 689A
- 1197
- 729A
- 367

- 615
- 614
- 404
- 616

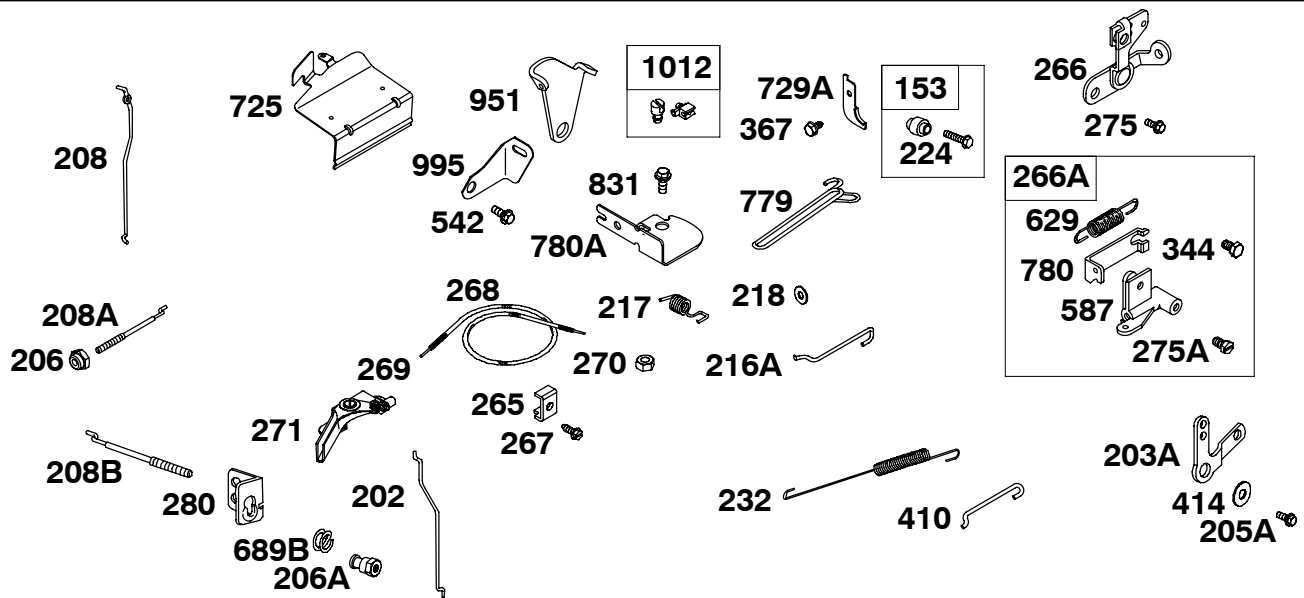


REF. NO.	PART NO.	DESCRIPTION	REF. NO.	PART NO.	DESCRIPTION	REF. NO.	PART NO.	DESCRIPTION
216	691824	Link-Choke (Manual)	404	691691	Washer (Governor Crank)	614	691620	Pin-Cotter
222A	690816	Bracket-Control (Gear and Rack) Used on Type No(s). 0214.	485	692295	Knob-Control (Slide)	615	93307	Retainer-E Ring
226A	399109	Rod-Hand Choke (Rod Assembly)	485A	391908	Knob-Control	616	692016	Crank-Governor
227	690653	Lever-Governor Control	505	691251	Nut (Governor Control Lever)	620	490649	Bracket-Control (Panel)
		----- Note -----	562	691119	Bolt (Governor Control Lever) (Round)	621	692310	Switch-Stop
		692357 Lever-Governor Control Used on Type No(s). 0299, 1011, 1012.				688	690395	Cap-Friction
367	94025	Screw (Wire Clip)				689A	690529	Spring-Friction (Conical Spring, Hand Choke Control)
						729A	93784	Clip-Wire (Clamp, Steel)
						1197	92484	Screw (Hand Choke Rod)

★ Included in Engine Gasket Set-Ref. 358.
 ● Included in Carburetor Overhaul Kit-Ref. 121.

∅ Included in Valve Gasket Set-Ref. 1095.

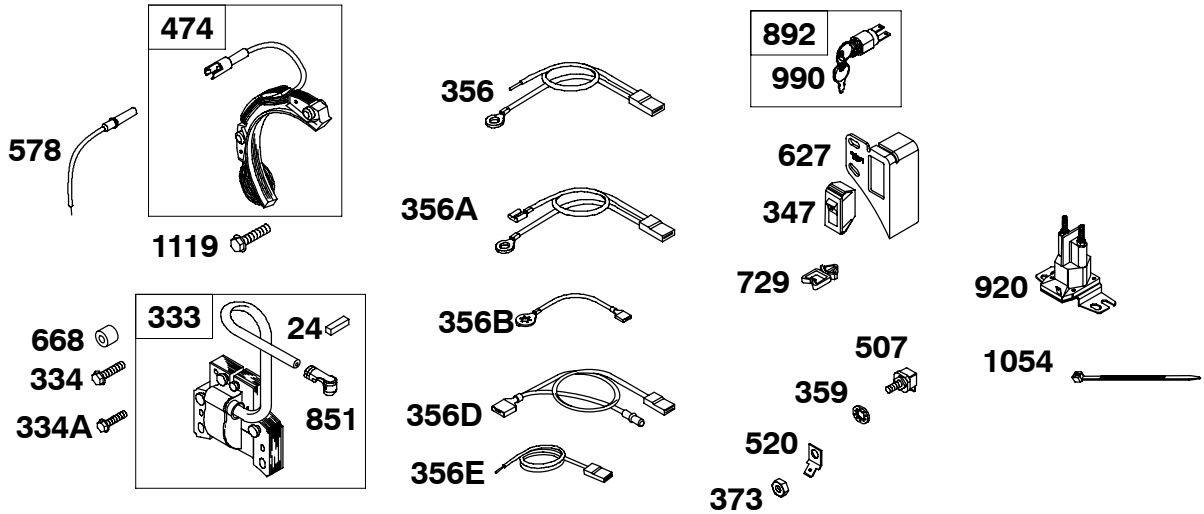
135200 to 135299



REF. NO.	PART NO.	DESCRIPTION	REF. NO.	PART NO.	DESCRIPTION	REF. NO.	PART NO.	DESCRIPTION
153	490589	Kit-Collar/Screw	218	691722	Washer (Choke Link)			(Cable Clamp)
202	691814	Link-Mechanical Governor	224	690320	Screw (Collar/Screw Kit)	367	691660	Screw (Wire Clip)
		-----Note-----	232	691819	Spring-Governor Link	410	691274	Link-Control
		261558 Link-Mechanical Governor Used on Type No(s). 0299, 1011, 1012.	265	691024	Clamp-Casing	414	691721	Washer (Bell Crank)
203A	691744	Crank-Bell (Steel)	266	691414	Control-Throttle (Remote/Governor Idle)	542	691683	Screw (Link Bracket)
205A	690320	Screw (Bell Crank)	266A	692316	Control-Throttle (Kit with Spring)	587	690769	Clamp-Cable
206	690325	Nut-Governor Adjusting (Governor Idle)	267	690804	Screw (Casing Clamp)	629	690457	Spring-Throttle Return
206A	691771	Nut-Governor Adjusting (Fixed Speed)	268	691025	Casing-Control Wire (Cut To Required Length)	689B	692522	Spring-Friction (4 Coil, Closed Ends)
208	691813	Rod-Governor Control (Non Threaded)	269	691026	Wire-Control (Cut To Required Length)	725	690440	Shield-Heat (Fuel Tank)
208A	691820	Rod-Governor Control (Threaded) (Governor Idle Speed)	270	691027	Nut (Control Wire Casing)	729A	690471	Clip-Wire (Steel)
208B	691821	Rod-Governor Control (Fixed Speed)	271	691028	Lever-Control	779	691828	Link-Bell Crank
216A	691271	Link-Choke (Choke A Matic)	275	691683	Screw (Throttle Control)	780	690594	Anchor-Spring (Throttle Control)
217	691815	Spring-Choke Return	275A	691646	Screw (Throttle Control)	780A	691211	Anchor-Spring (Governor Idle)
			280	691184	Bracket-Rod	831	691683	Screw (Spring Anchor)
			344	691645	Screw	951	690436	Lever-Choke (Choke A Matic)
						995	691756	Bracket-Link
						1012	490507	Retainer-Link

★ Included in Engine Gasket Set-Ref. 358.
● Included in Carburetor Overhaul Kit-Ref. 121.

∅ Included in Valve Gasket Set-Ref. 1095.

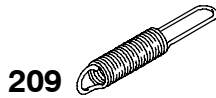


REF. NO.	PART NO.	DESCRIPTION	REF. NO.	PART NO.	DESCRIPTION	REF. NO.	PART NO.	DESCRIPTION
24	691732	Key-Flywheel	356E	692390	Wire-Stop	668	690531	Spacer
333	397358	Armature-Magneto	359	691077	Washer (Ground Terminal)	729	690588	Clip-Wire (Snap In, Nylon)
334	690306	Screw (Magneto Armature)	373	691612	Nut (Ground Terminal)	851	493880S	Terminal-Spark Plug
334A	691621	Screw (Magneto Armature)	474	494254	Alternator (Magneto Armature)	892	690646	Switch-Key
347	691995	Switch-Rocker	507	691972	Insulator	920	691656	Solenoid-Starter
356	398808	Wire-Stop	520	691084	Terminal-Ground	990	691959	Key Set
356A	690650	Wire-Stop	578	692306	Wire Assembly	1054	280275	Tie-Cable
356B	690817	Wire-Stop	627	690474	Bracket-Stops witch	1119	691183	Screw (Alternator)
356D	690818	Wire-Stop						
356E								

★ Included in Engine Gasket Set-Ref. 358.
 ● Included in Carburetor Overhaul Kit-Ref. 121.

∅ Included in Valve Gasket Set-Ref. 1095.

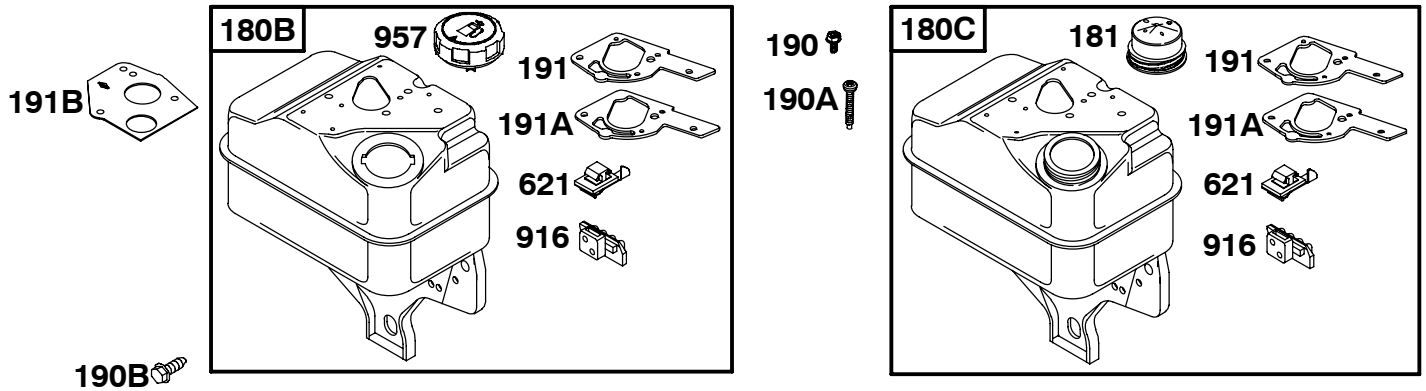
135200 to 135299



REF. NO.	PART NO.	DESCRIPTION	REF. NO.	PART NO.	DESCRIPTION	REF. NO.	PART NO.	DESCRIPTION	
209	690376	Spring-Governor (Rich Red) ----- Note ----- 691816 Spring-Governor (Black) Used on Type No(s). 0004, 0016, 0020, 0027, 0029, 0119, 0124, 0127, 0141, 0142, 0143, 0176, 0177, 0185, 0189, 0195, 0203, 0209, 0217, 0232, 0240, 0242, 0254, 0260, 0262, 0263, 0265, 0268, 0276, 0281, 0309, 0315, 0324, 1003, 1035, 1080, 1084, 1155, 1171, 1246, 1283, 1326, 1328, 1333. 690549 Spring-Governor (Blue) Used on Type No(s). 0018, 0215, 0225, 0248, 0603, 0607, 0611, 0615, 0623, 0625, 0635, 0636, 0649, 0660, 0670, 0671, 0679, 0700, 0702, 0704, 0717, 0730, 0740, 0747, 0759, 0762, 0767, 0779, 0780, 0784, 0788, 0790, 0814, 0815, 0913, 1005, 1007, 1008, 1009, 1011, 1019, 1023, 1025, 1036, 1049, 1050, 1060, 1070, 1071, 1073, 1079, 1105, 1106, 1139, 1140, 1143, 1146, 1147, 1153, 1154, 1157, 1158, 1159, 1161, 1167, 1169, 1173, 1179, 1180, 1186, 1190, 1194, 1196, 1197, 1200,			1216, 1219, 1223, 1231, 1238, 1245, 1250, 1258, 1259, 1271, 1284, 1288, 1289, 1296, 1299, 1301, 1304, 1308, 1310, 1313, 1314, 1317, 1318, 1320, 1329, 1330. 691817 Spring-Governor (Green) Used on Type No(s). 0026, 0038, 0082, 0115, 0129, 0151, 0160, 0162, 0164, 0166, 0199, 0211, 0241, 0244, 0252, 0311, 0327, 0626, 0638, 0729, 0752, 0791, 1026, 1038, 1115, 1129, 1160, 1252, 1291, 1327, 1340.				690550 Spring-Governor (Yellow) Used on Type No(s). 0059, 0072, 0075, 0083, 0093, 0126, 0163, 0228, 0251, 0292, 0297, 0312, 1072, 1093, 1292, 1312, 1342. 691845 Spring-Governor (Silver) Used on Type No(s). 0616, 0620, 0706, 0727, 0728, 1004, 1016, 1020, 1027, 1029, 1119, 1127, 1128, 1142, 1217, 1232, 1242, 1260, 1261, 1263, 1265, 1268, 1276, 1281, 1309, 1315, 1324, 1343, 1345. 692896 Spring-Governor (Bright Orange) Used on Type No(s). 1215.
						209C	692208	Spring-Governor (Green) Used on Type No(s). 0299, 1011, 1012.	
						211	691850	Spring-Governed Idle	

★ Included in Engine Gasket Set-Ref. 358.
● Included in Carburetor Overhaul Kit-Ref. 121.

∅ Included in Valve Gasket Set-Ref. 1095.



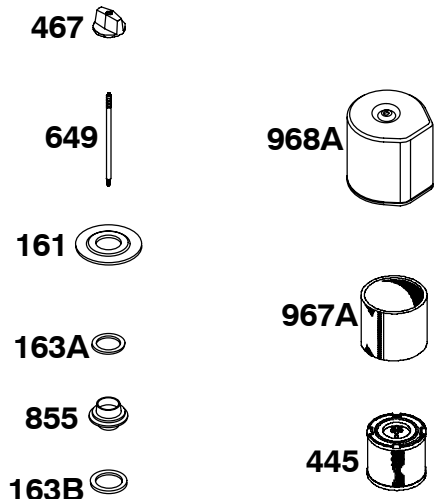
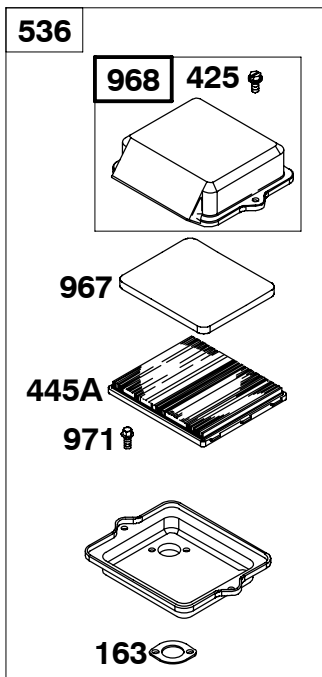
★ **NOTE: ALL FUN-KART APPLICATIONS USING MODEL SERIES 135200 ENGINES MUST USE 694315 FUEL TANK.**

REF. NO.	PART NO.	DESCRIPTION	REF. NO.	PART NO.	DESCRIPTION	REF. NO.	PART NO.	DESCRIPTION
180B	694315	Tank-Fuel ----- Note ----- 495370 Tank-Fuel Used on Type No(s). 0214.	190	692200	Screw (Fuel Tank)	916	691900	Rack-Governor Gear (Black)
180C	494600	Tank-Fuel Used on Type No(s). 0299, 1011, 1012, 0293.	190A	691687	Screw (Fuel Tank)			----- Note ----- 690583 Rack-Governor Gear (Natural)
181	394818S	Cap-Fuel Tank (Metal) (Threaded, Vented) ----- Note ----- 498156 Cap-Fuel Tank (Metal) (Threaded, Non Vented) Used on Type No(s). 0293.	190B	691685	Screw (Fuel Tank)			Used on Type No(s). 0016, 0019, 0071, 0147, 0148, 0185, 0195, 0200, 0213, 0214, 0216, 0232, 0260, 0263, 0306, 0310, 1016, 1071, 1147, 1200, 1232, 1260, 1263, 1310.
			191	★●692241	Gasket-Fuel Tank	957	494559	Cap-Fuel Tank
			191A	★●272996	Gasket-Fuel Tank			
			191B	★●272409S	Gasket-Fuel Tank Used on Type No(s). 0299, 1011, 1012.			
			621	692310	Switch-Stop			

★ Included in Engine Gasket Set-Ref. 358.
● Included in Carburetor Overhaul Kit-Ref. 121.

∅ Included in Valve Gasket Set-Ref. 1095.

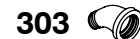
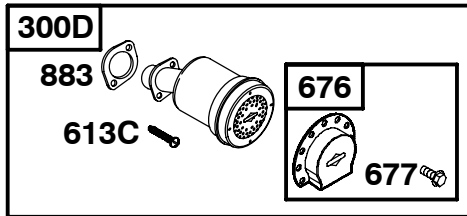
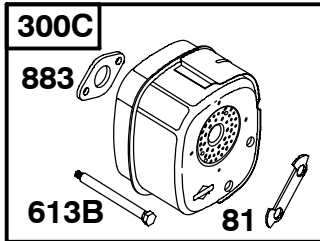
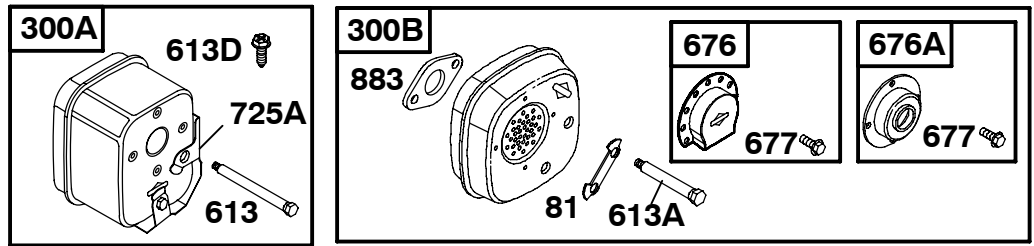
135200 to 135299



REF. NO.	PART NO.	DESCRIPTION	REF. NO.	PART NO.	DESCRIPTION	REF. NO.	PART NO.	DESCRIPTION
161	691735	Base–Air Cleaner			Cartridge			0185, 0263, 1263.
163★	271935S	Air Cleaner Gasket (Standard, Oval)	467	691668	Knob–Air Cleaner	855	690599	Adapter–Air Cleaner
163A	271139S	Air Cleaner Gasket (1 5/8" O.D. Round)	536	494279	Cleaner–Air (Rectangular)	967	491435	Filter–Pre Cleaner (Rectangular)
163B	690580	Air Cleaner Gasket (1 15/16" O.D. Round)	649	231332	Stud (Air Cleaner Cover, 1/4" Diameter)	967A	271466	Filter–Pre Cleaner (Round)
425	694515	Screw (Air Cleaner Cover)			----- Note -----	968	692321	Cover–Air Cleaner (Rectangular)
445	396424	Filter–Air Cleaner Cartridge (Canister)			691248 Stud	968A	493822	Cover–Air Cleaner (Canister)
445A	491588	Filter–Air Cleaner			(Air Cleaner Cover, 1/2" Diameter)	971	690370	Screw (Air Cleaner Base)
					Used on Type No(s).			

★ Included in Engine Gasket Set–Ref. 358.
● Included in Carburetor Overhaul Kit–Ref. 121.

∅ Included in Valve Gasket Set–Ref. 1095.

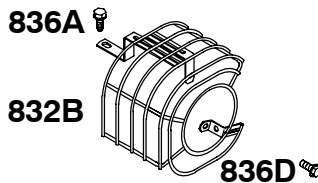
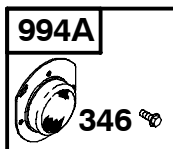
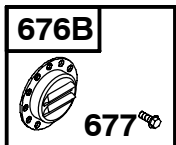
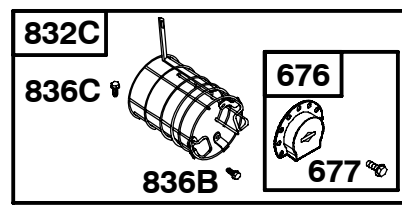
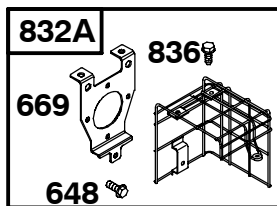
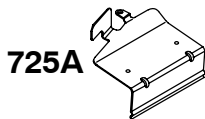
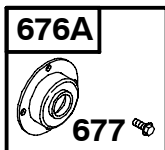
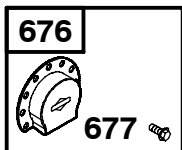


REF. NO.	PART NO.	DESCRIPTION	REF. NO.	PART NO.	DESCRIPTION	REF. NO.	PART NO.	DESCRIPTION
81	691729	Lock-Muffler Screw	303	94089	Elbow-Exhaust	676	393757	Deflector-Muffler (Side Out) (Deep)
298	690453	Locknut-Muffler/Elbow	613	691351	Screw (Muffler)			----- Note -----
300A	691969	Muffler (Super Lo Tone)	613A	691413	Screw (Muffler)			494423 Deflector-Muffler (Side Out) (Shallow)
300B	494585	Muffler	613B	691632	Screw (Muffler)			Used on Type No(s). 0029, 0167, 0190, 0225, 0248, 0276, 0767, 1029, 1276, 1167, 1190.
		----- Note ----- (Heat Shield Supplied By Equipment Manufacturer) Used on Type No(s). 0185.	613C	691665	Screw (Muffler)	676A	395700	Deflector-Muffler (Direct Out)
300C	390918	Muffler (Lo Tone)	613D	690810	Screw (Muffler)	677	690661	Screw (Muffler Deflector)
		----- Note ----- 692304 Muffler (Lo Tone) Used on Type No(s). 0072, 0075, 0142, 0143, 0193, 0195, 0198, 0208, 0244, 0315, 0316, 1072, 1075, 1127, 1142, 1143, 1315.	613E	692557	Screw (Muffler) Used on Type No(s). 1127.	725A	690466	Shield-Heat (Muffler)
300D	496892	Muffler (Round Lo Tone) Used on Type No(s). 0138, 0165, 0227, 0274.				883	★692237	Gasket-Exhaust
						981	690408	Brace-Muffler

★ Included in Engine Gasket Set-Ref. 358.
● Included in Carburetor Overhaul Kit-Ref. 121.

∅ Included in Valve Gasket Set-Ref. 1095.

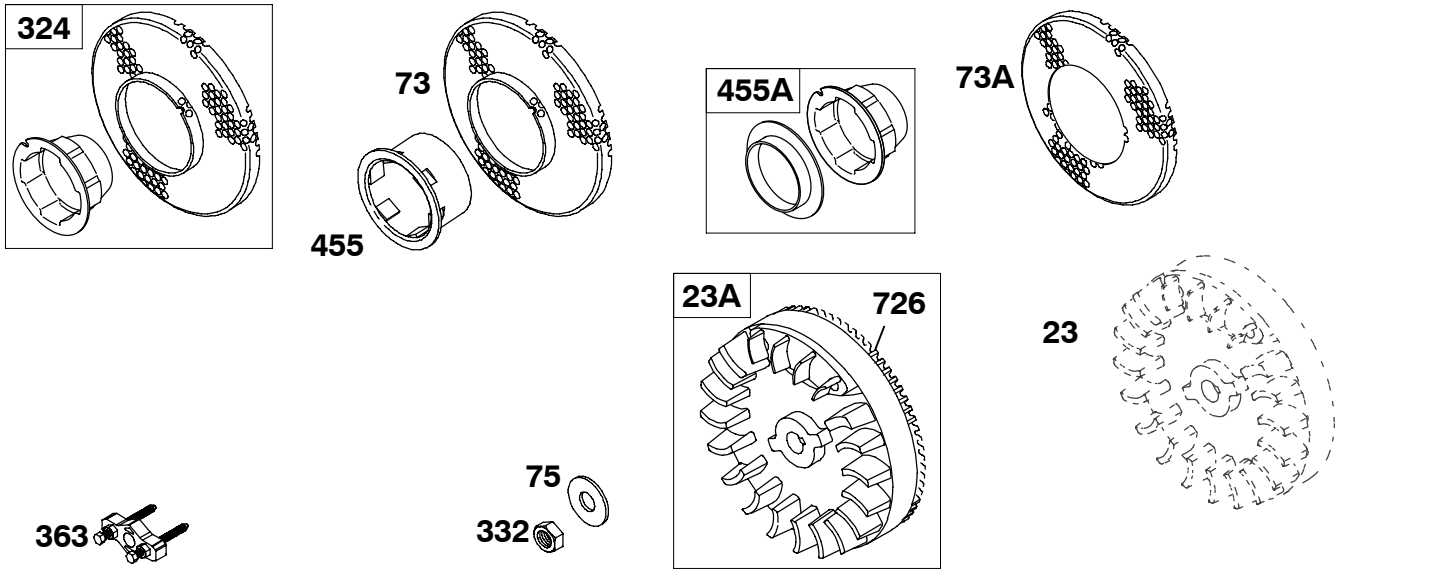
135200 to 135299



REF. NO.	PART NO.	DESCRIPTION	REF. NO.	PART NO.	DESCRIPTION	REF. NO.	PART NO.	DESCRIPTION
346	690661	Screw (Spark Arrestor)	677	690661	Screw (Muffler Deflector)	836	691683	Screw (Muffler Guard)
648	691660	Screw (Muffler Guard Bracket)	725A	690440	Shield-Heat (Fuel Tank)	836A	690810	Screw (Muffler Guard)
669	690425	Bracket-Muffler Guard	832A	490534	Guard-Muffler (Super Lo Tone)	836B	690367	Screw (Muffler Guard)
676	393757	Deflector-Muffler (Side Out) (Deep)	832B	690625	Guard-Muffler (Lo Tone)	836C	691681	Screw (Muffler Guard)
		----- Note -----	832C	498257	Guard-Muffler (Round Lo Tone)	836D	690661	Screw (Muffler Guard)
		494423 Deflector-Muffler (Side Out) (Shallow) Used on Type No(s). 0029, 0167, 0190, 0225, 0248, 0276, 0767, 1029, 1276, 1167, 1190.				994A	399541	Arrestor-Spark
676A	395700	Deflector-Muffler (Direct Out)						
676B	393758	Deflector-Muffler (Louvered)						

★ Included in Engine Gasket Set-Ref. 358.
● Included in Carburetor Overhaul Kit-Ref. 121.

∅ Included in Valve Gasket Set-Ref. 1095.

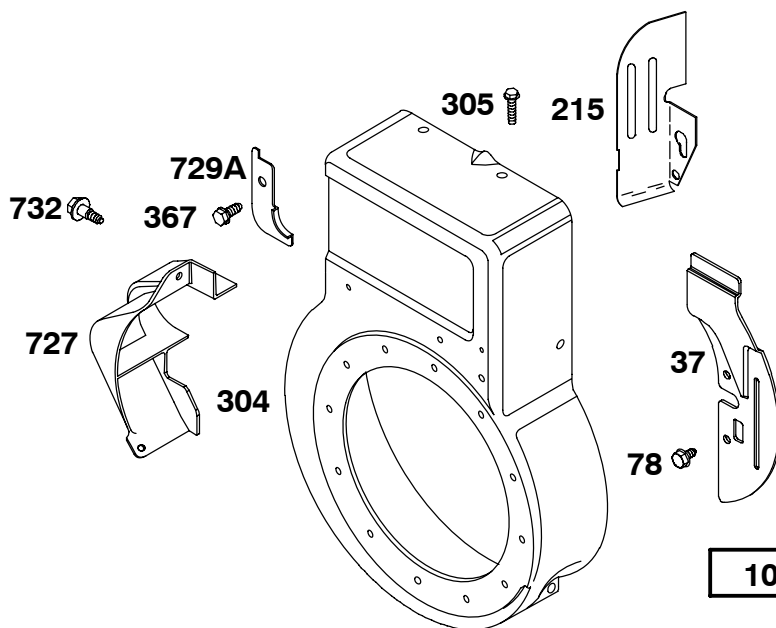


REF. NO.	PART NO.	DESCRIPTION	REF. NO.	PART NO.	DESCRIPTION	REF. NO.	PART NO.	DESCRIPTION
23		Flywheel (No Longer Available) (Rewind Start)	75	690582	Washer (Flywheel)	455	224250	Cup-Flywheel (Straight Side Cup) (Used Before Code Date 95020300).
23A	690820	Flywheel (With Ring Gear)	324	695161	Screen/Cup Assembly (Used After Code Date 95010800).	455A	494770	Cup-Flywheel (Straight Side Cup With Rotating Screen Ring)
73	224883	Screen-Rotating (Used Before Code Date 95020300).	332	690662	Nut (Flywheel)	726	495765	Gear-Ring (Includes Mounting Hardware)
73A	691226	Screen-Rotating (Used After Code Date 95010800). ----- Note ----- 224974 Screen-Rotating (Used Before Code Date 95010900).	363	19069	Flywheel Puller			

★ Included in Engine Gasket Set-Ref. 358.
● Included in Carburetor Overhaul Kit-Ref. 121.

∅ Included in Valve Gasket Set-Ref. 1095.

135200 to 135299

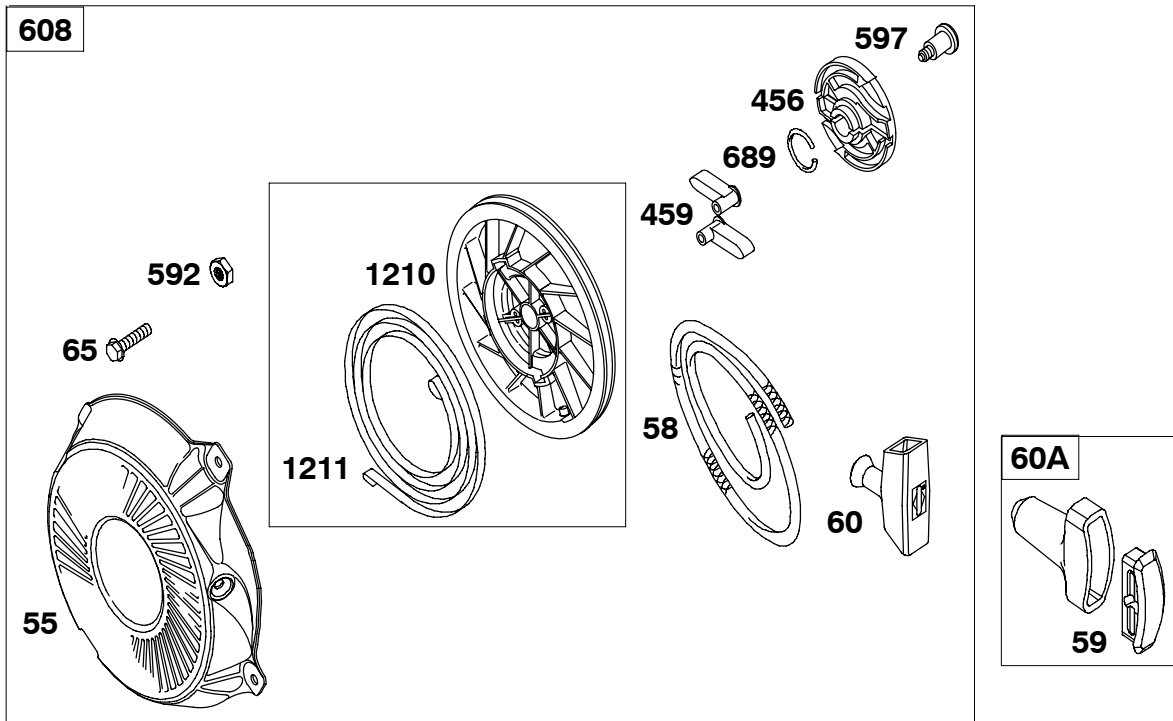


1036 EMISSIONS LABEL

REF. NO.	PART NO.	DESCRIPTION	REF. NO.	PART NO.	DESCRIPTION	REF. NO.	PART NO.	DESCRIPTION
37	691732	Guard-Flywheel	305	692198	Screw (Blower Housing)	729A	690471	Clip-Wire (Steel)
78	691660	Screw (Flywheel Guard)	367	691660	Screw (Wire Clip)	732	691097	Screw (Starter Drive Cover)
215	691745	Guide-Air (Rewind Start)	727	690600	Cover-Starter Drive	1036		Label-Emission (Available from A Briggs & Stratton Authorized Dealer)
		----- Note -----						
		690472 Guide-Air (Electric Start)						
304	495759	Housing-Blower						

★ Included in Engine Gasket Set-Ref. 358.
 ● Included in Carburetor Overhaul Kit-Ref. 121.

∅ Included in Valve Gasket Set-Ref. 1095.

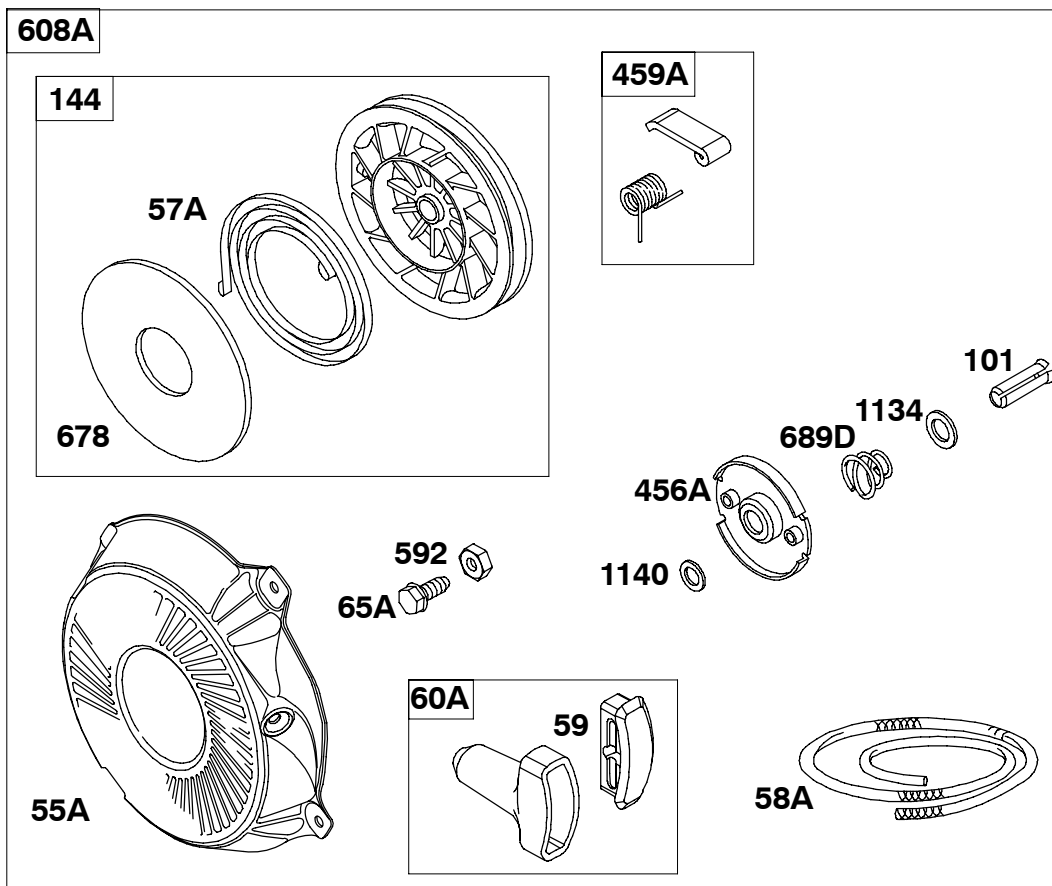


REF. NO.	PART NO.	DESCRIPTION	REF. NO.	PART NO.	DESCRIPTION	REF. NO.	PART NO.	DESCRIPTION
55	691422	Housing-Rewind Starter	65	690837	Screw (Rewind Starter)	689C	691855	Spring-Friction (Ratchet Pawl)
58	691921	Rope-Starter (Cut To Required Length)	456	692299	Plate-Pawl Friction	1210	498144	Pulley/Spring Assembly (Pulley)
59	396892	Insert-Grip	459	281505	Pawl-Ratchet	1211	498144	Pulley/Spring Assembly (Spring)
60	691915	Grip-Starter Rope (1 Piece)	592	690800	Nut (Rewind Starter)			
60A	393152	Grip-Starter Rope (2 Piece)	597	691696	Screw (Pawl Friction Plate)			
			608	497830	Starter-Rewind			

★ Included in Engine Gasket Set-Ref. 358.
 ● Included in Carburetor Overhaul Kit-Ref. 121.

∅ Included in Valve Gasket Set-Ref. 1095.

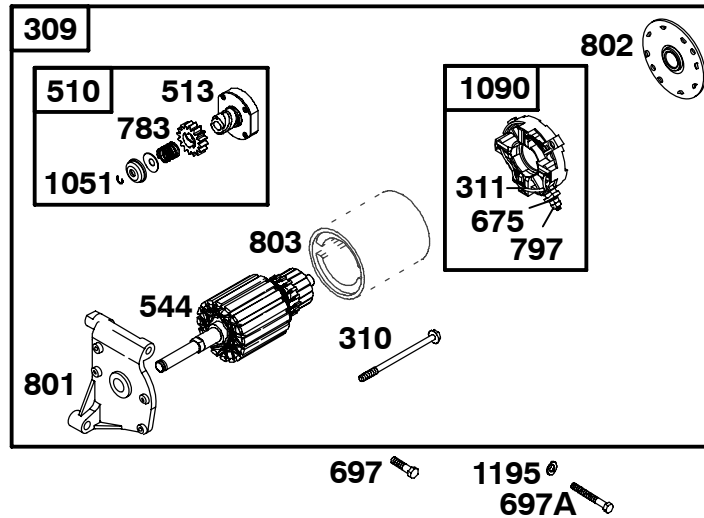
135200 to 135299



REF. NO.	PART NO.	DESCRIPTION	REF. NO.	PART NO.	DESCRIPTION	REF. NO.	PART NO.	DESCRIPTION
55A		Housing–Rewind Starter (For Complete Rewind Starter Service, See Ref 608, Previous Page)	60A	393152	Grip–Starter Rope	608A		Starter–Rewind (For Complete Rewind Starter Service, See Ref 608, Previous Page)
57A	491889	Rewind Starter Spring	65A	94686	Screw (Rewind Starter)	678	224278	Rewind Spacer
58A	280406	Starter Rope (Cut To Required Length)	101	262626	Shaft Pin	689D	262625	Friction Spring
59	396892	Insert–Grip	144	493824	Starter Pulley	1134	498144	Washer (Pawl Friction Plate)
			456A	224321	Plate–Pawl Friction	1140	280973	Washer (Rewind Starter)
			459A	492833	Pawl–Ratchet (Rewind Starter)			
			592	690800	Nut			

★ Included in Engine Gasket Set–Ref. 358.
● Included in Carburetor Overhaul Kit–Ref. 121.

∅ Included in Valve Gasket Set–Ref. 1095.

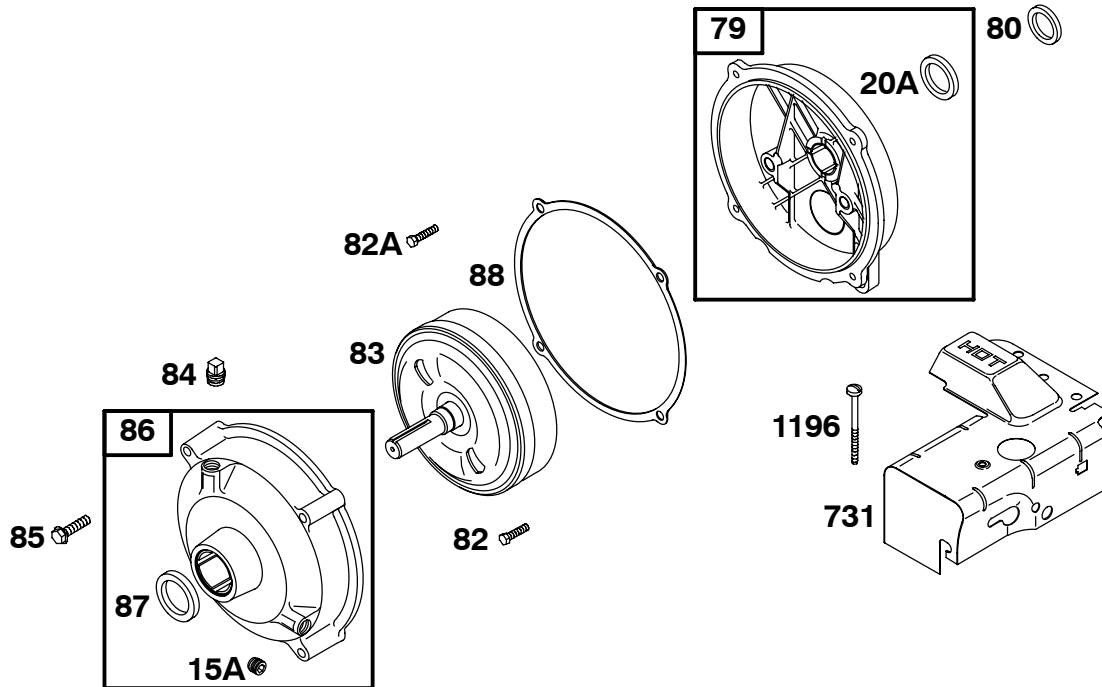


REF. NO.	PART NO.	DESCRIPTION	REF. NO.	PART NO.	DESCRIPTION	REF. NO.	PART NO.	DESCRIPTION
309	690658	Motor-Starter	697	693972	Screw (Drive Cap)	801	690835	Cap-Drive
310	690323	Bolt (Starter Motor)	697A	690298	Screw (Drive Cap) (Starter Drive Cover)	802	691286	Cap-End
311	497608	Set-Brush	783	692353	Gear-Pinion	803		Housing-Starter (No Longer Available)
510	499308	Drive-Starter	797	691029	Nut (Brush Retainer)	1051	691265	Ring-Retaining
513	692024	Clutch-Drive				1090	691293	Retainer-Brush
544	692966	Armature-Starter				1195	691075	Washer (Drive Cap)
675	691621	Washer (Brush Retainer)						

★ Included in Engine Gasket Set-Ref. 358.
● Included in Carburetor Overhaul Kit-Ref. 121.

∅ Included in Valve Gasket Set-Ref. 1095.

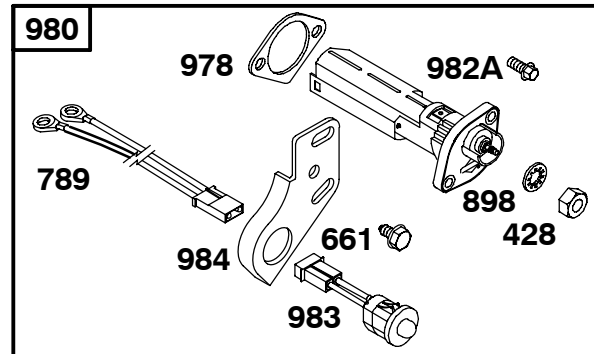
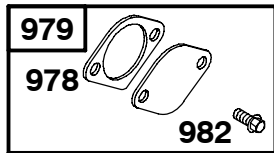
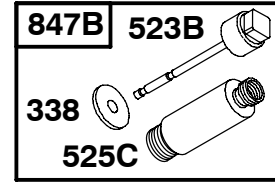
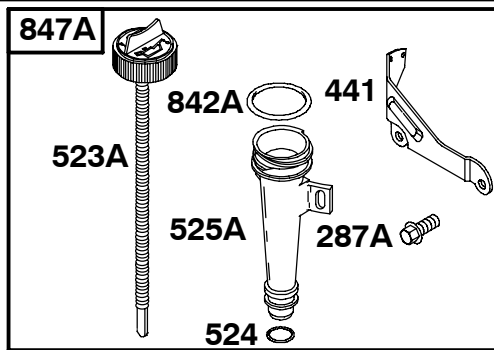
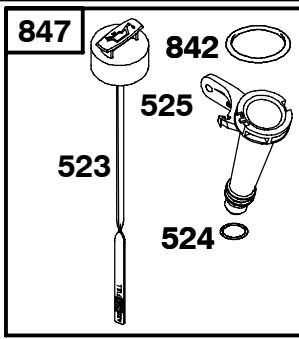
135200 to 135299



REF. NO.	PART NO.	DESCRIPTION	REF. NO.	PART NO.	DESCRIPTION	REF. NO.	PART NO.	DESCRIPTION
15A	691682	Plug–Oil Drain Plug (Flush)	82	690369	Screw (Gear Reduction Case)	86	690608	Cover–Gear
20A	★299819	Seal–Oil (PTO Side) (53/64" I.D. Without Spring)	82A	699164	Screw (Gear Reduction Case)	87	691582	Seal–Gear Reduction
79	690605	Case–Gear Reduction	83	690374	Shaft–Auxiliary Drive	88	691600	Gasket–Gear Reduction Cover
80	691602	Gasket–Gear Case	84	691121	Plug–Breather	731	399183	Hood–Snow
			85	691117	Screw (Gear Cover To Gear Reduction)	1196	93977	Screw (Snow Hood)

★ Included in Engine Gasket Set–Ref. 358.
 ● Included in Carburetor Overhaul Kit–Ref. 121.

∅ Included in Valve Gasket Set–Ref. 1095.

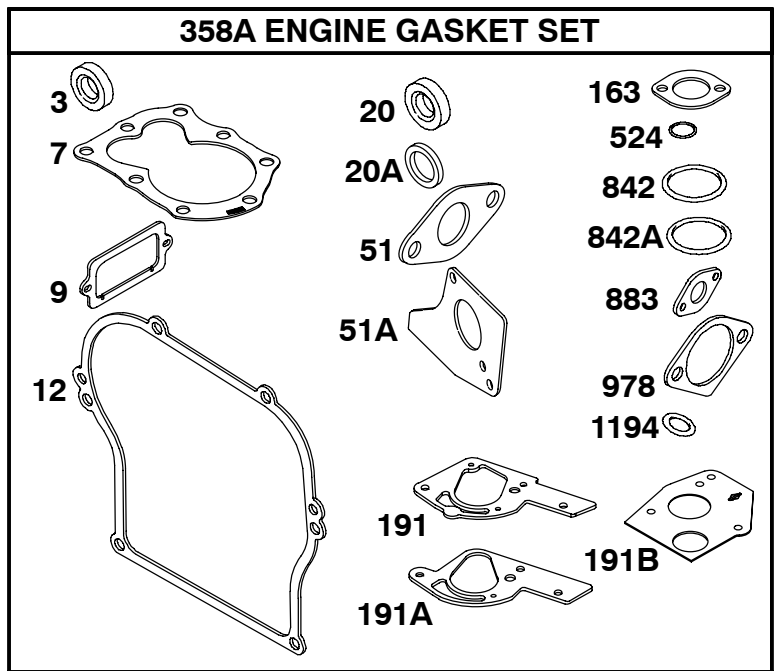


REF. NO.	PART NO.	DESCRIPTION	REF. NO.	PART NO.	DESCRIPTION	REF. NO.	PART NO.	DESCRIPTION
287		Screw (No Longer Available)	524	★691876	Seal-Dipstick Tube	847	694381	Dipstick/Tube Assembly (Without Bracket) (Used After Code Date 99031400).
287A	691693	Screw (Dipstick Tube)	525	694379	Tube-Dipstick (31/32" ID Top) (Used After Code Date 99031400).	847A	691379	Dipstick/Tube Assembly (With Bracket) (Used Before Code Date 99031500).
338	690270	Gasket-Dipstick	525A	694531	Tube-Dipstick (1 1/64" ID Top) (Used Before Code Date 99031500).	847B	493955	Dipstick/Tube Assembly (Uses 691257 Dipstick Tube)
428	691612	Nut (OIL GARD® Kit)	525C	691257	Tube-Dipstick (Oil Filler Pipe Adapter) (3 1/8" Long)	898	691077	Washer (OIL GARD® Kit)
441	690448	Bracket-Oil Fill	661	690661	Screw (OIL GARD® Light Bracket)	978	★273326	Gasket-OIL GARD®
523	499621	Dipstick (8 7/16" Flat Wire) (Used After Code Date 99031400).	789	398661	Harness-Wiring	979	691382	Cover-OIL GARD®
523A	691388	Dipstick (7 11/16" Spring) (Used Before Code Date 99031500).	842	★691031	Seal-O Ring (Dipstick Tube) (Used After Code Date 99031400).	980	398182	Kit-OIL GARD®
523B	691942	Dipstick (4 13/16" Round Bar) ----- Note ----- 690777 Dipstick (8 11/16" Spring) Used on Type No(s). 0255, 0273, 0294, 0307, 0308, 1008, 1308.	842A	★691870	Seal-O Ring (Dipstick Tube) (Used Before Code Date 99031500).	982	690351	Screw (OIL GARD Cover)
						982A	690350	Screw (OIL GARD Cover)
						983	398660	Light-Indicator
						984	692340	Bracket-OIL GARD® Light

★ Included in Engine Gasket Set-Ref. 358.
● Included in Carburetor Overhaul Kit-Ref. 121.

∅ Included in Valve Gasket Set-Ref. 1095.

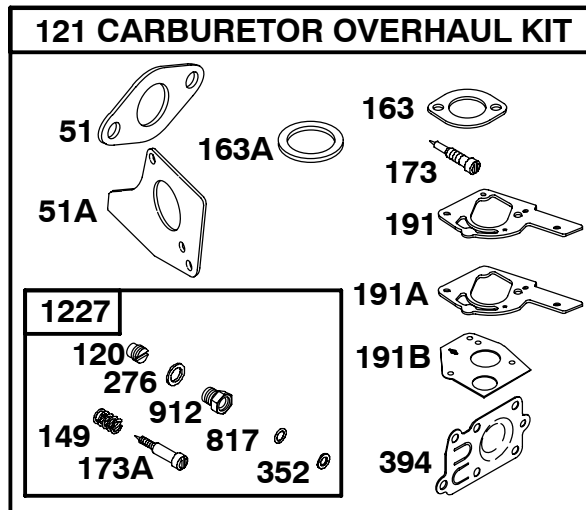
135200 to 135299



REF. NO.	PART NO.	DESCRIPTION	REF. NO.	PART NO.	DESCRIPTION	REF. NO.	PART NO.	DESCRIPTION
3	★299819	Seal-Oil (Magneto Side)	51	★●27355	Gasket-Intake Used on Type No(s). 0299, 1101, 1012, 1309.	842	★691031	Seal-O Ring (Dipstick Tube) (Used After Code Date 99031400).
7	★∅272157	Gasket-Cylinder Head	51A	★∅●273113	Gasket-Intake	842A	★691870	Seal-O Ring (Dipstick Tube) (Used Before Code Date 99031500).
9	★∅27549	Gasket-Breather	163	★∅271935	Gasket-Air Cleaner (Standard, Oval)	883	★692237	Gasket-Exhaust
12	★692213	Gasket-Crankcase (Standard)	191	★●692241	Gasket-Fuel Tank	978	★273326	Gasket-OIL GARD®
		----- Note -----	191A	★●272996	Gasket-Fuel Tank	1194	★691876	Seal-O Ring (Plug)
		★270125 Gasket- Crankcase (.005" Thick)	191B	★●272409	Gasket-Fuel Tank Used on Type No(s). 0299, 1011, 1012.			
		★270126 Gasket- Crankcase (.009" Thick)	358A	495603	Gasket Set-Engine			
20	★495307	Seal-Oil (PTO Side)	524	★691876	Seal-Dipstick Tube			
20A	★299819	Seal-Oil (PTO Side)						

★ Included in Engine Gasket Set-Ref. 358.
● Included in Carburetor Overhaul Kit-Ref. 121.

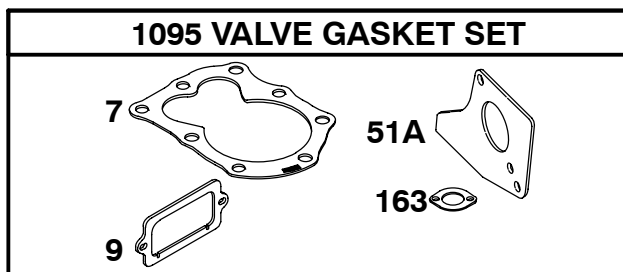
∅ Included in Valve Gasket Set-Ref. 1095.



REF. NO.	PART NO.	DESCRIPTION	REF. NO.	PART NO.	DESCRIPTION	REF. NO.	PART NO.	DESCRIPTION
51	★●27355	Gasket-Intake Used on Type No(s). 0299, 1101, 1012, 1309.	173	●691777	Valve-Idle Mixture (Idle)	394	●272538	Diaphragm-Carburetor (Pump)
51A	★∅●273113	Gasket-Intake	173A	●690266	Valve-Idle Mixture (Main)	817	●691606	Seal-O Ring (High Speed Valve)
120	●692134	Seat-Needle Valve	191	★●692241	Gasket-Fuel Tank	912	●690504	Nut-Needle Valve
121	495606	Kit-Carburetor Overhaul	191A	★●272996	Gasket-Fuel Tank	1227	●299060	Valve-High Speed
149	●691592	Spring-Needle Valve	191B	★●272409	Gasket-Fuel Tank Used on Type No(s). 0299, 1011, 1012.			
163	★∅271935	Gasket-Air Cleaner (Standard, Oval)	276	●691608	Washer-Sealing			
163A	●271139	Gasket-Air Cleaner (1 5/8" O.D. Round)	352	●690257	Washer (High Speed Valve)			

★ Included in Engine Gasket Set-Ref. 358.
● Included in Carburetor Overhaul Kit-Ref. 121.

∅ Included in Valve Gasket Set-Ref. 1095.



REF. NO.	PART NO.	DESCRIPTION	REF. NO.	PART NO.	DESCRIPTION	REF. NO.	PART NO.	DESCRIPTION
7	★Ø272157	Gasket-Cylinder Head	163	★Ø271935	Gasket-Air Cleaner (Standard, Oval)			
9	★Ø27549	Gasket-Breather	1095	498529	Gasket Set-Valve			
51A	★Ø●273113	Gasket-Intake						

★ Included in Engine Gasket Set-Ref. 358.
 ● Included in Carburetor Overhaul Kit-Ref. 121.

Ø Included in Valve Gasket Set-Ref. 1095.