

**422700**

# Illustrated Parts List

## Model Series

# 422700

TYPE NUMBERS  
1105 through 4822.

For Use On Engines Built Before Date Code – 02050900

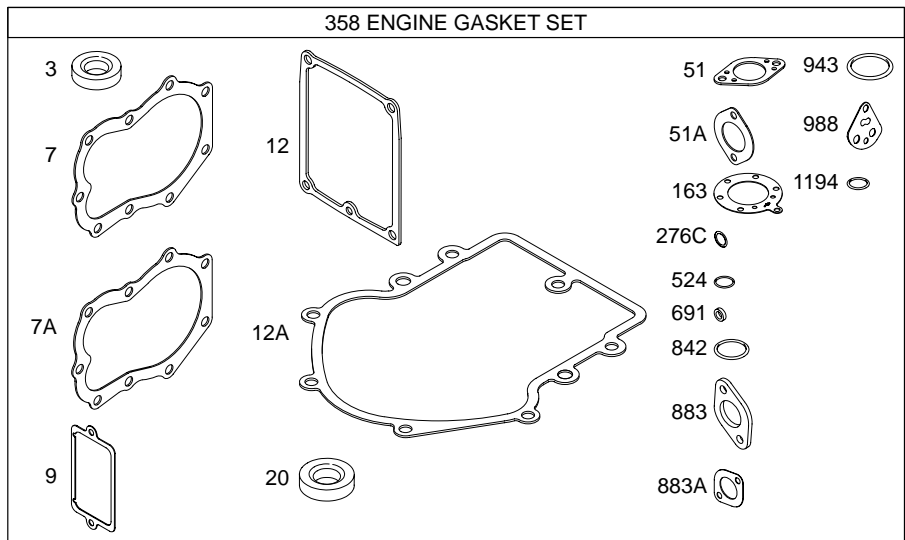
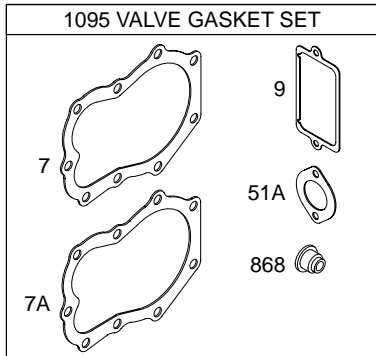
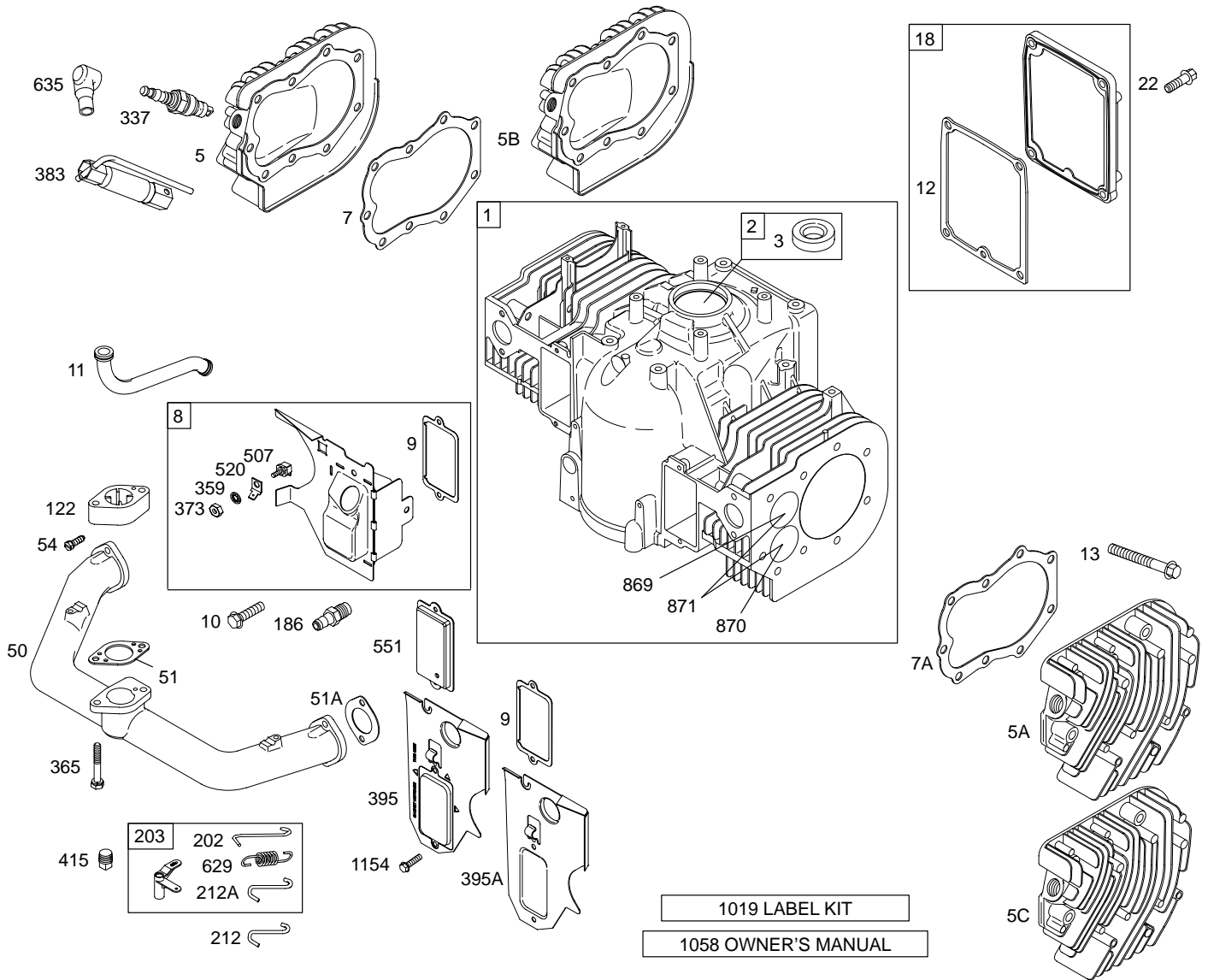
### TABLE OF CONTENTS

Air Cleaner .....	9
Alternator .....	8
Blower Housing/Shrouds .....	10
Cam .....	3
Carburetor .....	6
Carburetor .....	7
Controls .....	8
Crankcase Cover/Cylinder .....	2
Crankshaft .....	3
Electric Starter .....	12
Flywheel .....	11
Head .....	2
Kit/Gasket Sets – Carburetor .....	6
Kit/Gasket Sets – Engine .....	2
Kit/Gasket Sets – Fuel Pump .....	6
Kit/Gasket Sets – Valve .....	2
Muffler .....	9
Oil .....	4
Piston .....	3
Sump .....	5
Valves .....	3

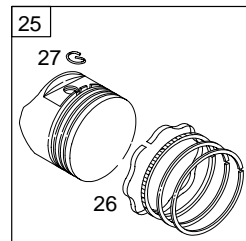
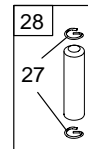
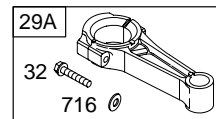
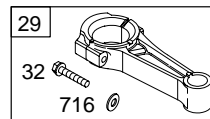
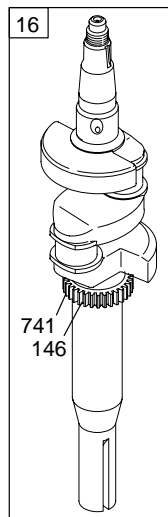
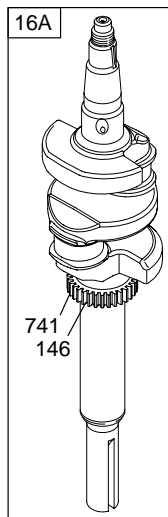
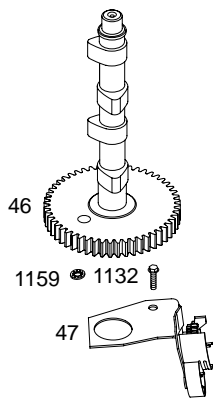
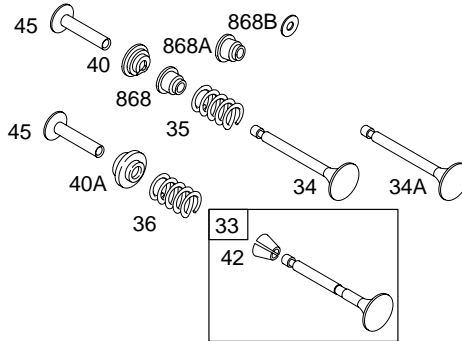


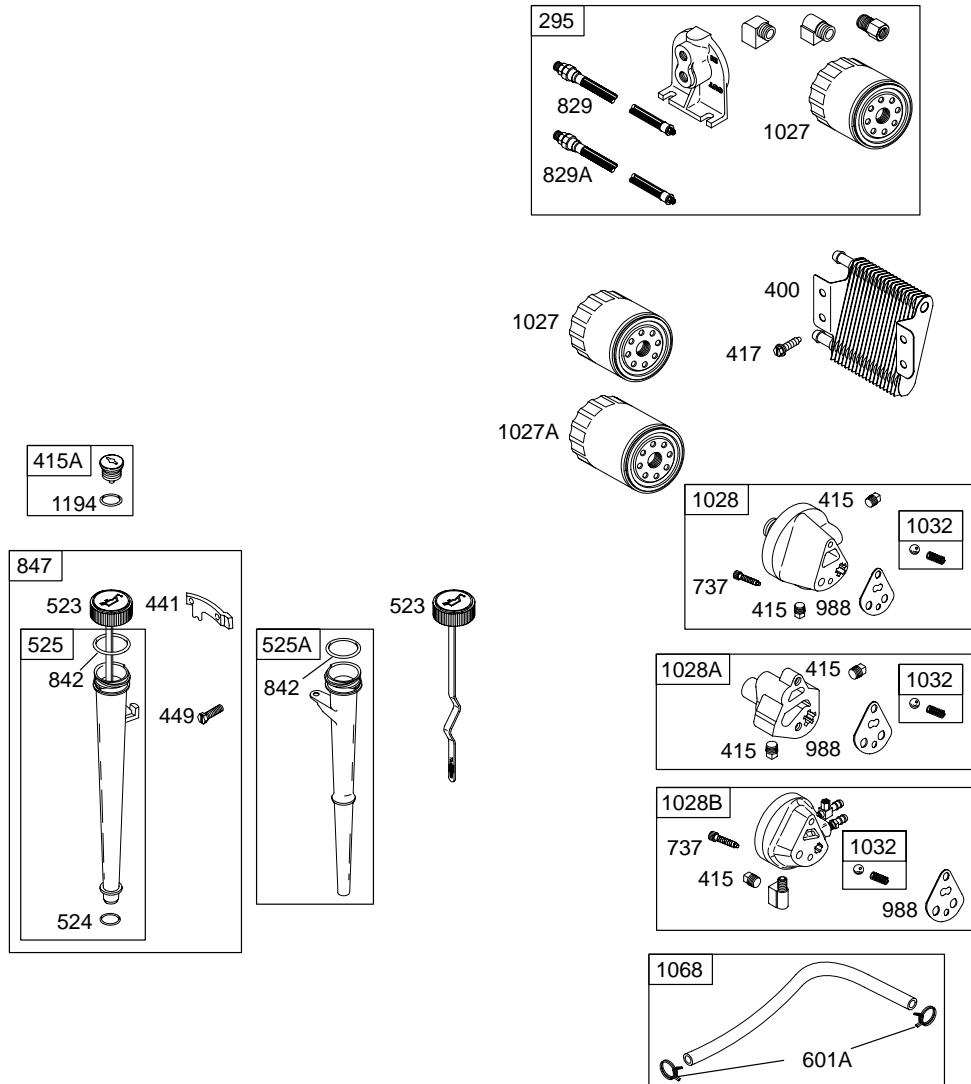
PRINTED IN U.S.A.

COPYRIGHT by BRIGGS & STRATTON CORPORATION  
All rights reserved. No part of this material may be reproduced or transmitted, in any form or by any means, electronic or mechanical, including photocopying, recording or by any information storage and retrieval system, without permission in writing from Briggs & Stratton Corporation.

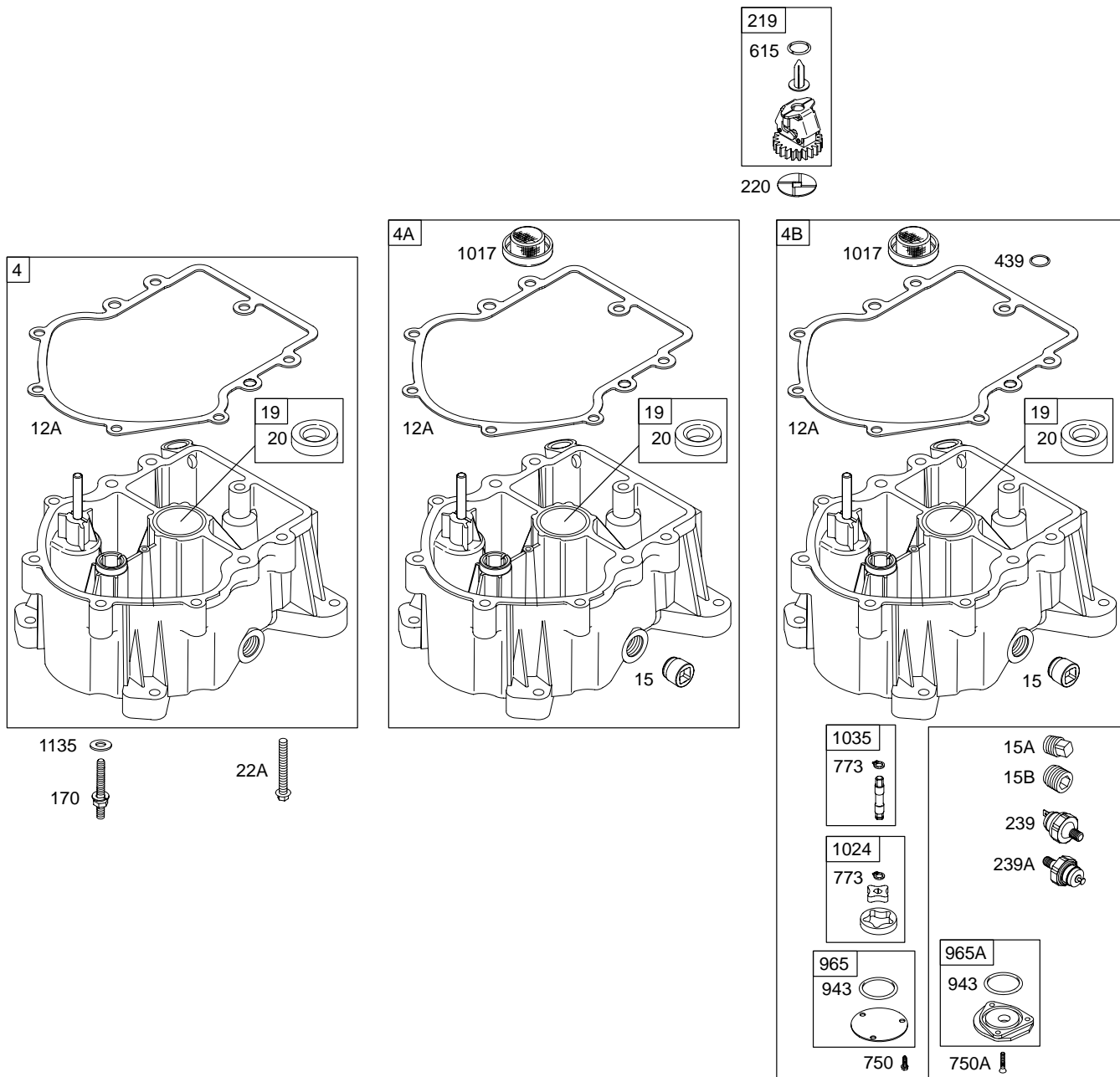


**Illustrations cover a range of engines. Parts shown without corresponding text may not be used on your specific engine.**  
**9493-2** Assemblies include all parts shown in frames. **5C-6/2002**



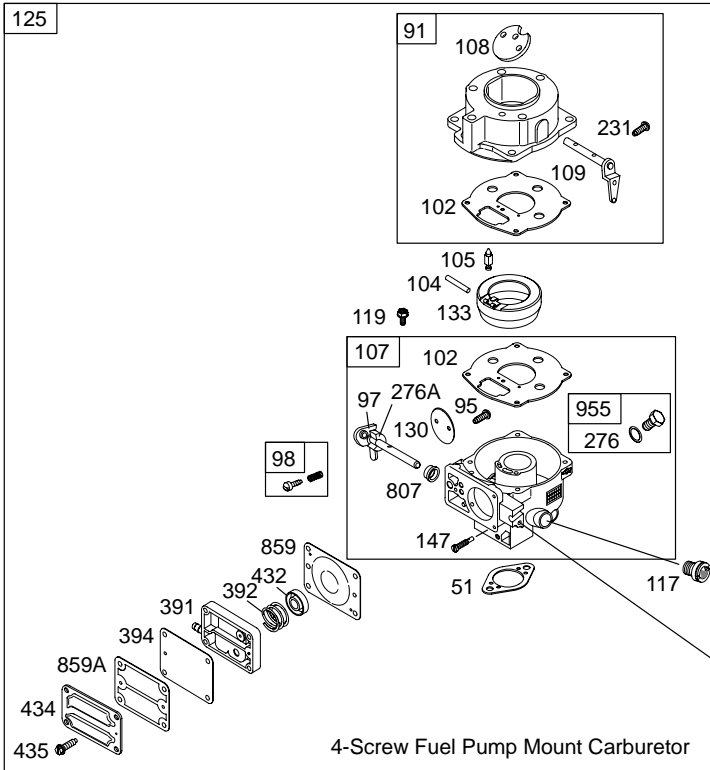


*Illustrations cover a range of engines. Parts shown without corresponding text may not be used on your specific engine.*  
 9493-4 Assemblies include all parts shown in frames. 5C-6/2002

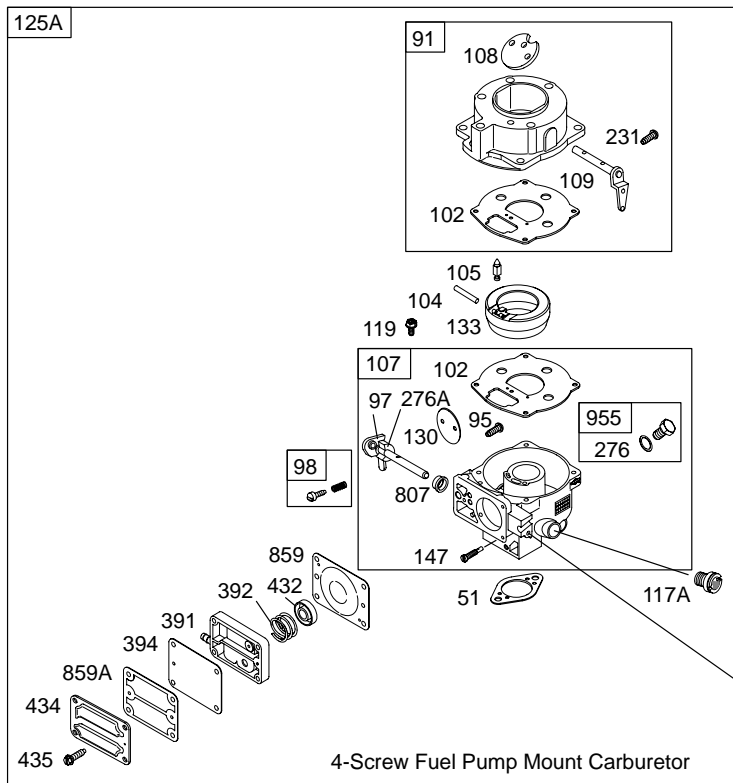
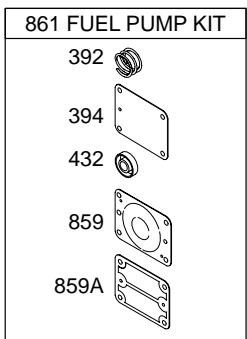
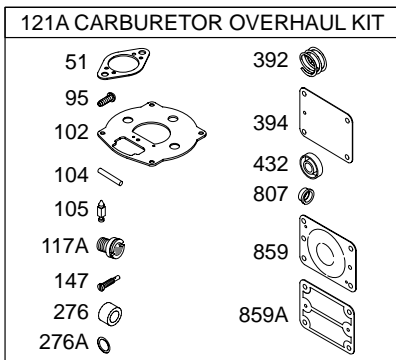
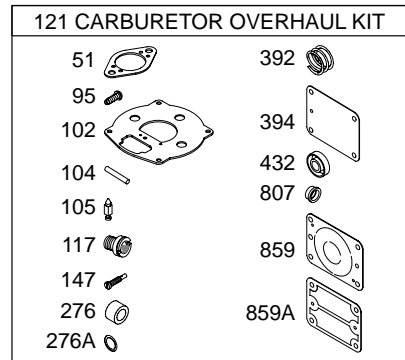


Illustrations cover a range of engines. Parts shown without corresponding text may not be used on your specific engine.  
 9493-5 Assemblies include all parts shown in frames. 5C-6/2002

**SEE ADDITIONAL PAGES  
FOR MORE CARBURETOR  
INFORMATION**

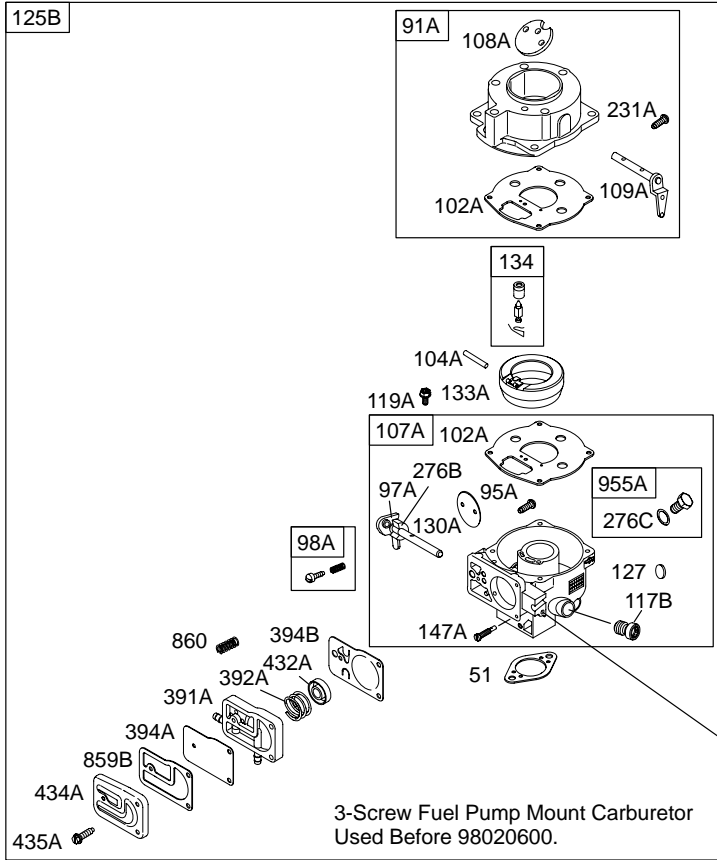


- Model 4607**
- Model 4617**
- Model 4627**
- Model 4637**

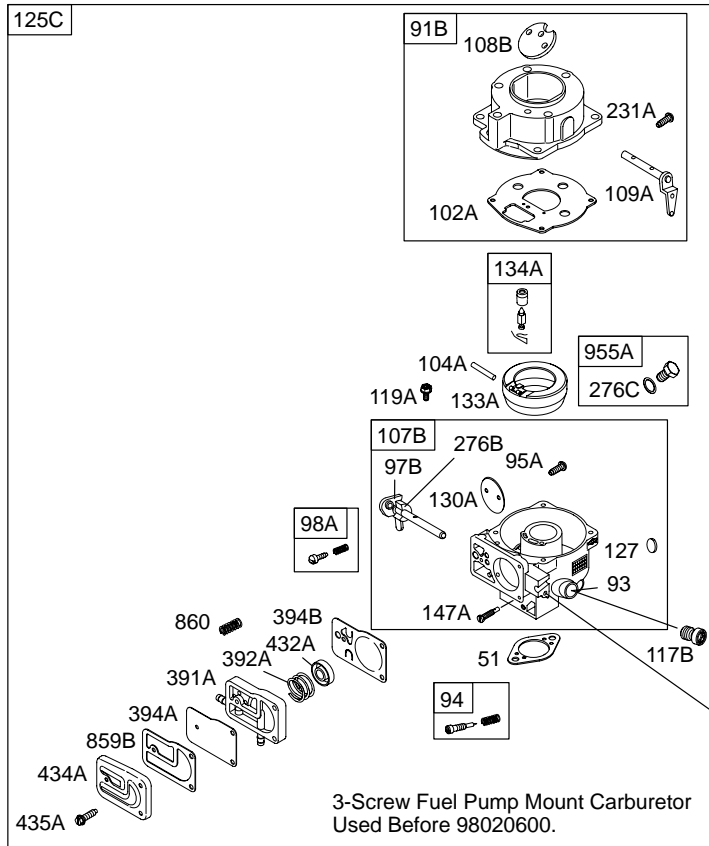
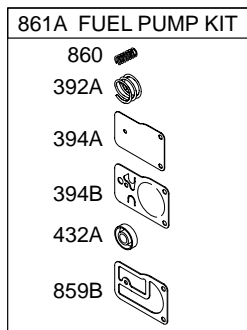
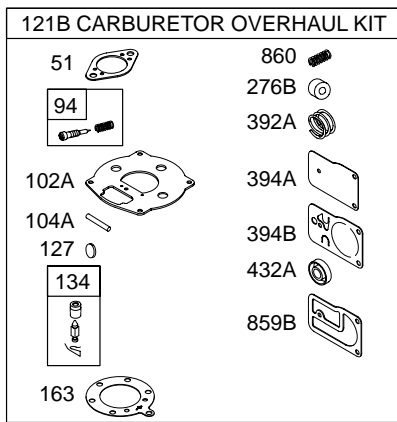
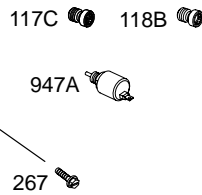


- Model 42A7**
- Model 42B7**
- Model 42D7**
- Model 42E7**
- Model 4227**

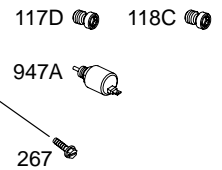
*Illustrations cover a range of engines. Parts shown without corresponding text may not be used on your specific engine.*  
**9493-6** Assemblies include all parts shown in frames. **5C-6/2002**



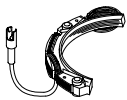
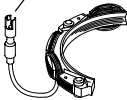





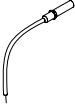
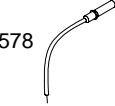

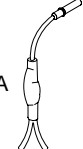
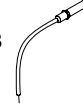
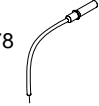
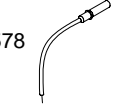





- Model 42A7**
  - Model 42B7**
  - Model 42D7**
  - Model 42E7**
  - Model 42Z7**
- 3-Screw Fuel Pump Mount Carburetor  
Used Before 98020600.

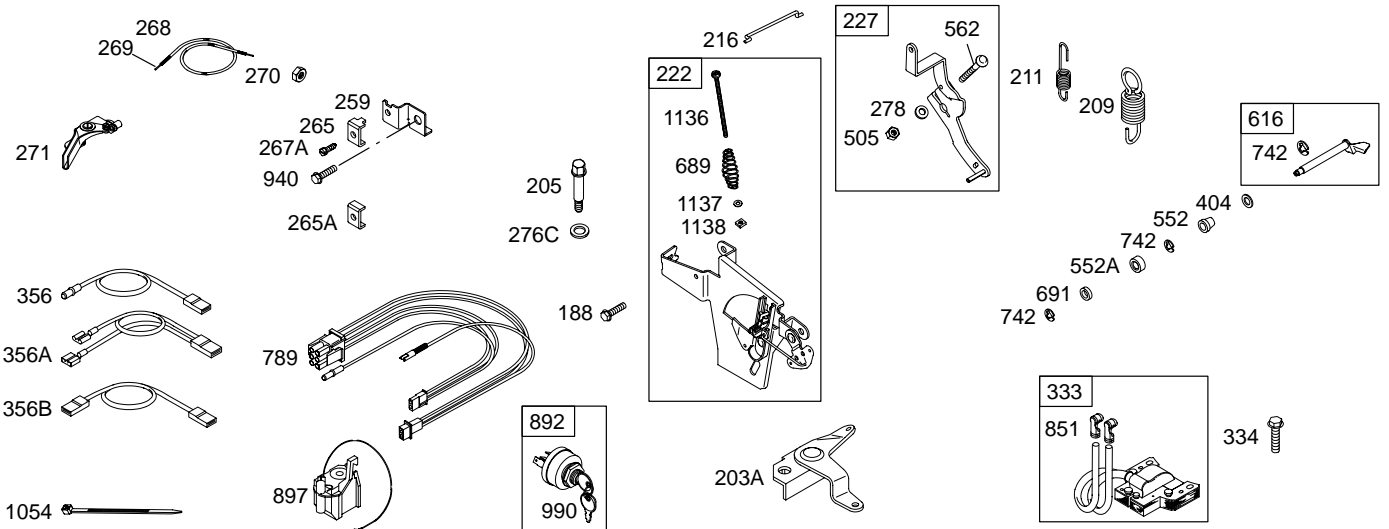
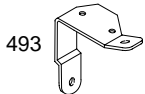


- Model 4607**
  - Model 4617**
- 3-Screw Fuel Pump Mount Carburetor  
Used Before 98020600.



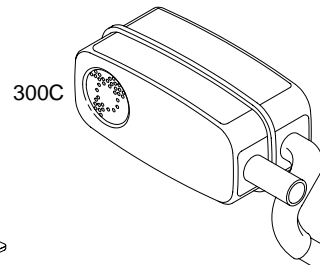
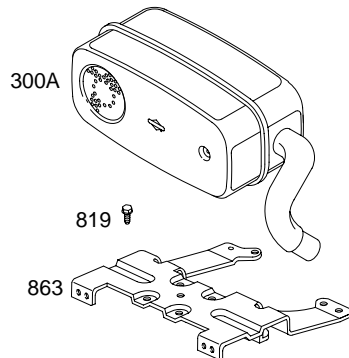
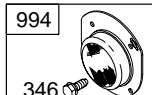
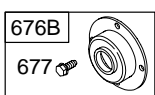
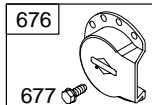
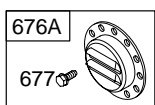
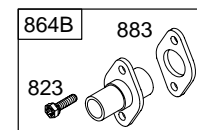
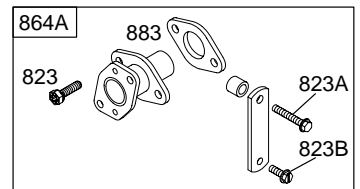
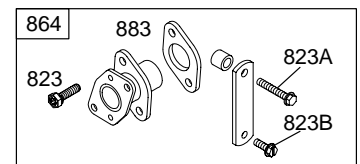
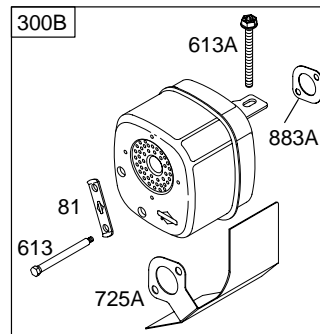
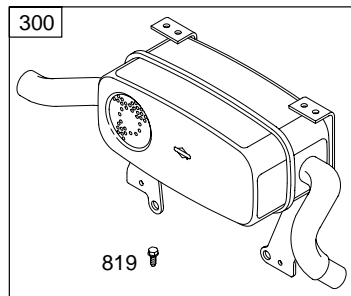
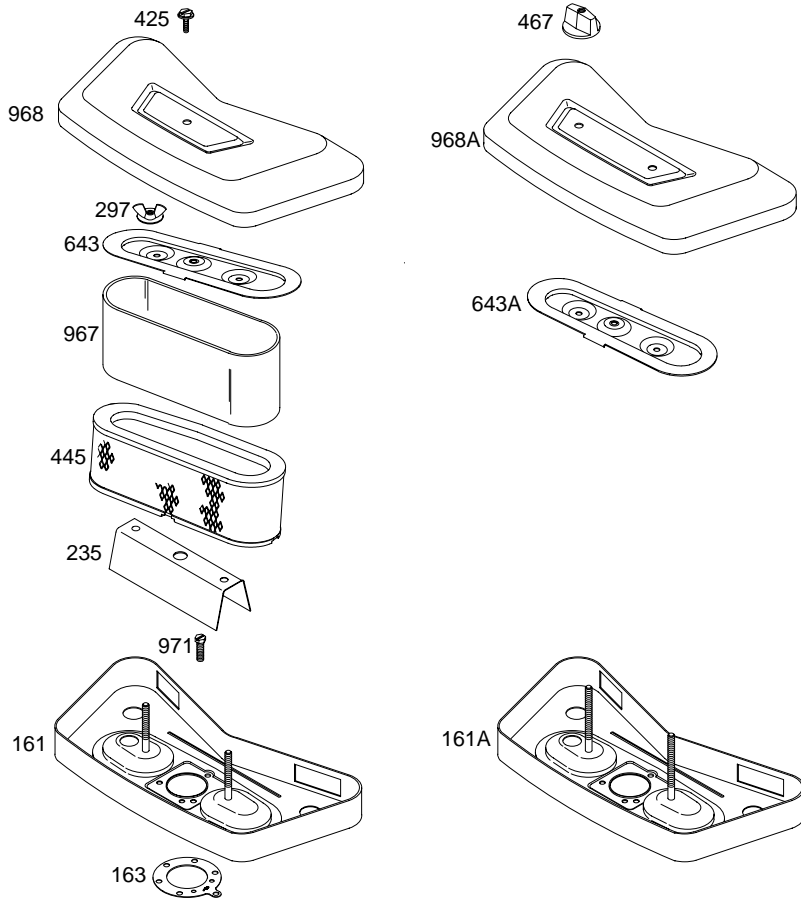
# 422700

AC ONLY	DC ONLY	DUAL CIRCUIT	TRI CIRCUIT	9 AMP	10 AMP	16 AMP
474	474A	474B	474C	474C	474D	474D
	877A 	877 	877B 	877B 	877C 	877C 
578 	578 	878 	878A 	578 	578 	578 
<p><b>NOTE:</b> All Stators Use a No. 1119 Mounting Screw. </p> <p><b>NOTE:</b> The proper flywheel part number and/or the alternator magnet size will determine the alternator type or output. See repair instruction manual for additional information.</p>				526A  501A 	526  501 	

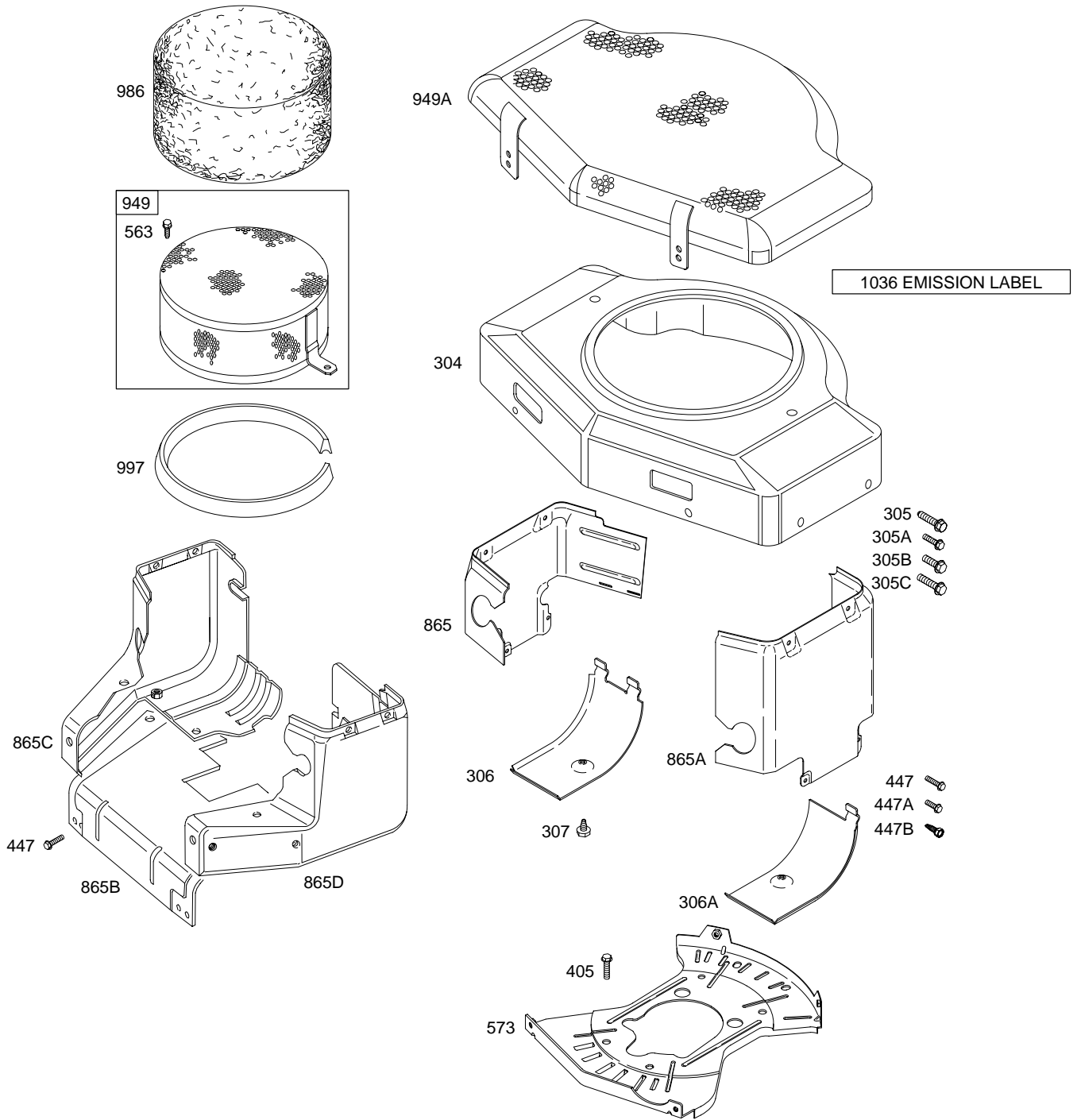


Illustrations cover a range of engines. Parts shown without corresponding text may not be used on your specific engine.  
 9493-8 Assemblies include all parts shown in frames. 5C-6/2002

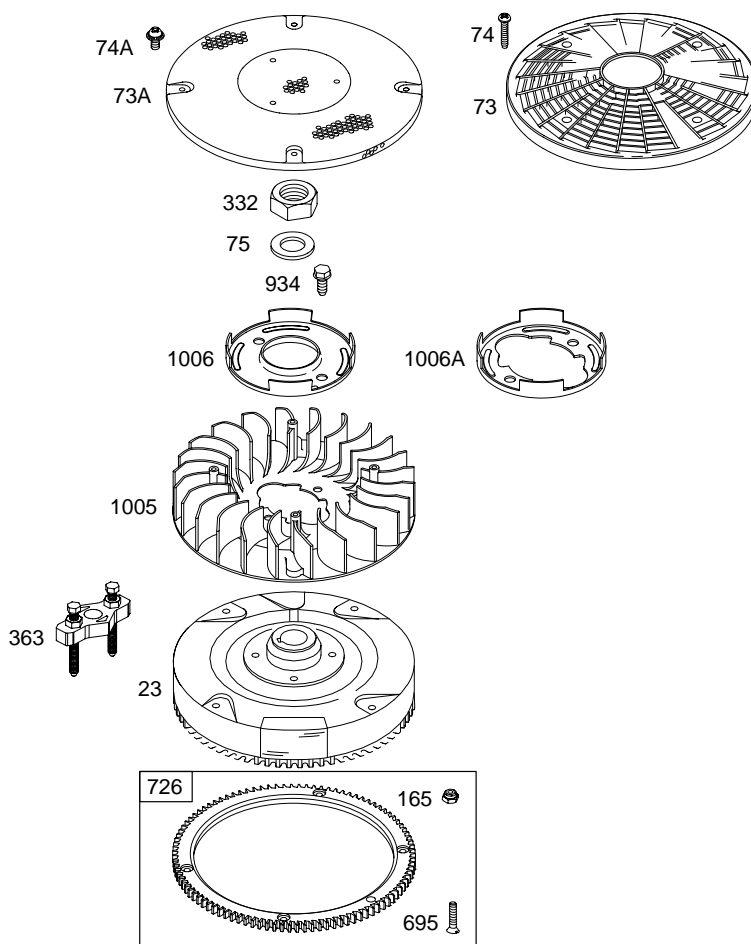




Illustrations cover a range of engines. Parts shown without corresponding text may not be used on your specific engine.  
 9493-9 Assemblies include all parts shown in frames. 5C-6/2002

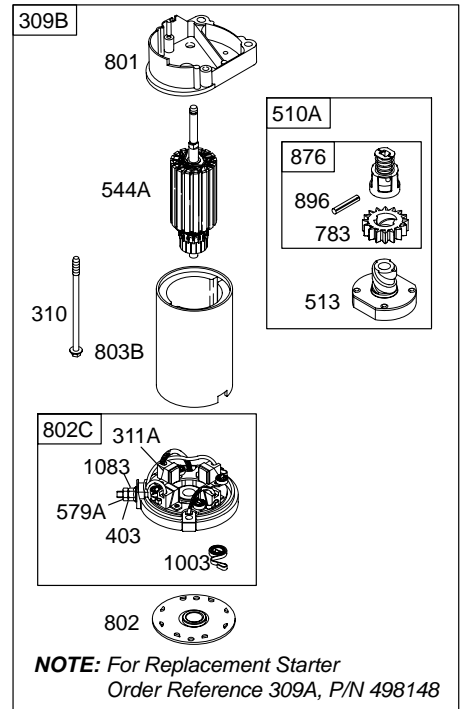
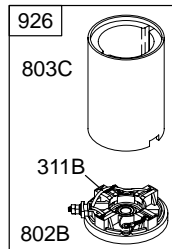
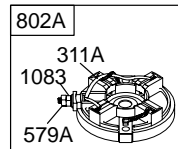
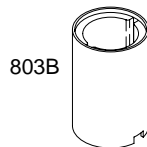
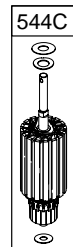
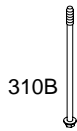
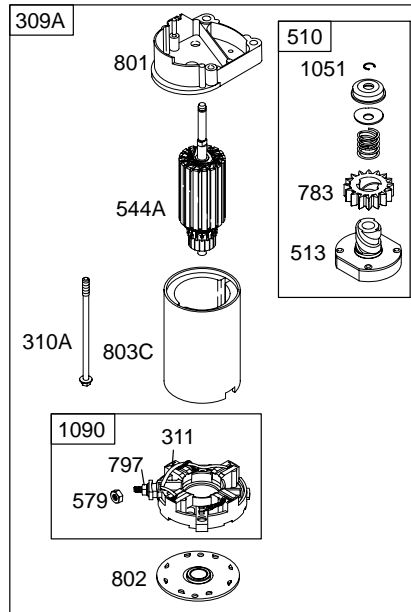
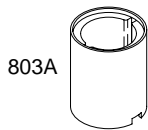
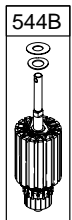
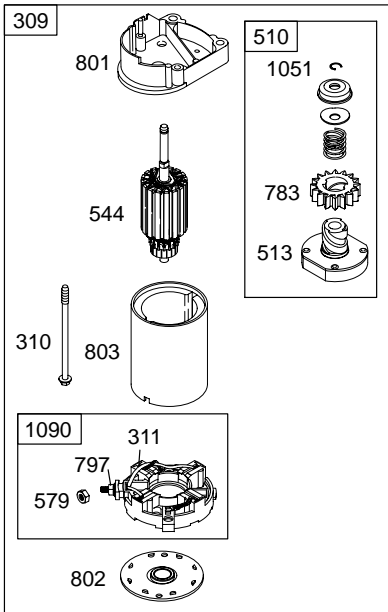


*Illustrations cover a range of engines. Parts shown without corresponding text may not be used on your specific engine.*



*Illustrations cover a range of engines. Parts shown without corresponding text may not be used on your specific engine.*

697 



Illustrations cover a range of engines. Parts shown without corresponding text may not be used on your specific engine.  
9493-12 Assemblies include all parts shown in frames. 5C-6/2002

REF. NO.	PART NO.	DESCRIPTION	REF. NO.	PART NO.	DESCRIPTION	REF. NO.	PART NO.	DESCRIPTION
1	498583	Cylinder Assembly	16	690636	Crankshaft	25	498584	Piston Assembly (Standard)
2	399265	Kit-Bushing/Seal (Magneto Side)			<b>Note</b>			<b>Note</b>
3	★391086	Seal-Oil (Magneto Side)		690643	Crankshaft Used on Type No(s). 1106, 1209, 1507, 2106.		498585	Piston Assembly (.010" Oversize)
4	493304	Sump-Engine (Splash Lube)		690784	Crankshaft Used on Type No(s). 1125, 1127, 1201, 1203, 1215, 1218, 1220, 1223, 1224, 1230, 1231, 1234, 1235, 1238, 1239, 1240, 1244, 1259, 1265, 1266, 1278, 1281, 1725, 1727, 1881, 2125, 2127, 2281, 4022, 4822.		498586	Piston Assembly (.020" Oversize)
4A	692709	Sump-Engine (Pressure Lube) (Used After Code Date 98011100).					498587	Piston Assembly (.030" Oversize)
4B	692710	Sump-Engine (Pressure Lube) (Used Before Code Date 98011200).				26	394959	Ring Set (Standard)
5	493457	Head-Cylinder (Cylinder 1)						<b>Note</b>
5A	493458	Head-Cylinder (Cylinder 2)	18	495901	Cover-Crankcase		394960	Ring Set (.010" Oversize)
7	∅★271867	Gasket-Cylinder Head (Cylinder 1)	19	399264	Kit-Bushing/Seal (PTO Side)		394961	Ring Set (.020" Oversize)
7A	∅★271868	Gasket-Cylinder Head (Cylinder 2)	20	★291675	Seal-Oil (PTO Side)	27	691299	Lock-Piston Pin (Used After Code Date 95101500).
8	495754	Breather Assembly	22	691104	Screw (Crankcase Cover/Sump)			<b>Note</b>
9	∅★27803	Gasket-Breather	22A	693972	Screw (Crankcase Cover/Sump)		691792	Lock-Piston Pin (Used Before Code Date 95101600).
10	690334	Screw (Breather Assembly)	23	691976	Flywheel	28	498319	Pin-Piston (Standard) (Used After Code Date 95101500).
11	691899	Tube-Breather			<b>Note</b>			<b>Note</b>
12	★692287	Gasket-Crankcase		690655	Flywheel Used on Type No(s). 1105, 1106, 1107, 1125, 1127, 1130, 1131, 1207, 1212, 1215, 1216, 1219, 1225, 1227, 1230, 1231, 1235, 1238, 1239, 1240, 1257, 1258, 1259, 1278, 1705, 1706, 1707, 1725, 1727, 2105, 2106, 2107, 2125, 2127, 4015, 4022, 4030, 4822.		299691	Pin-Piston (Standard) (Used Before Code Date 95101600).
12A	★692292	Gasket-Crankcase (.015" Thick)					498320	Pin-Piston (.005" Oversize) (Used After Code Date 95101500).
		<b>Note</b>					391286	Pin-Piston (.005" Oversize) (Used Before Code Date 95101600).
		★271188 Gasket-Crankcase (.005" Thick)						
		★271189 Gasket-Crankcase (.009" Thick)						
13	691651	Screw (Cylinder Head)	24	222698	Key-Flywheel			
15	691680	Plug-Oil Drain (1/2" Square Flush)						
15A	690946	Plug-Oil Drain (3/8" Standard)						
15B	690343	Plug-Oil Drain (1/4" Hex Flush)						

★ Included in Engine Gasket Set-Ref. No. 358.

● Included in Carburetor Overhaul Kit-Ref. No. 121.

■ Included in Carburetor Gasket Set-Ref. No. 977.

∅ Included in Valve Gasket Set-Ref. No. 1095.

*Illustrations cover a range of engines. Parts shown without corresponding text may not be used on your specific engine.*

# 422700

REF. NO.	PART NO.	DESCRIPTION	REF. NO.	PART NO.	DESCRIPTION	REF. NO.	PART NO.	DESCRIPTION
29	394306	Rod-Connecting (Standard) <b>Note</b> — 397158 Rod-Connecting (.020" Undersize)	51	★692278	Gasket-Intake	109	693498	Shaft-Choke
			51A	∅★692219	Gasket-Intake	109A	691957	Shaft-Choke
			54	93208	Screw (Intake Manifold)	117A	693507	Jet-Main (Standard)
			73A	692527	Screen-Rotating (Steel)	117B	691773	Jet-Main (Standard)
32	691133	Screw (Connecting Rod)	74A	691677	Screw (Rotating Screen)	117C	691253	Jet-Main (Standard)
33	691794	Valve-Exhaust	75	691056	Washer (Flywheel)	118A	693499	Jet-Main (High Altitude)
34	691804	Valve-Intake	81	691178	Lock-Muffler Screw	118B	231333	Jet-Main (High Altitude)
35	691605	Spring-Valve (Intake)	91	693483	Body-Upper Carburetor	119	690720	Screw (Upper To Lower Body)
36	691597	Spring-Valve (Exhaust)	91A	499281	Body-Upper Carburetor	119A	691090	Screw (Upper to Lower Body)
40	690656	Retainer-Valve (Intake)	91B	495035	Body-Upper Carburetor	121	693503	Kit-Carburetor Overhaul (Used On 4 Screw Fuel Pump Mount Carburetors)
40A	691939	Retainer-Valve (Exhaust) <b>Note</b> — 690274 Retainer-Valve (Exhaust) Used on Type No(s). 1130, 4030.	93	690513	Bushing-Throttle Shaft	121A	694056	Kit-Carburetor Overhaul (Used On 3 Screw Fuel Pump Mount Carburetors)
42	494553	Keeper-Valve	94	●491538	Kit-Idle Mixture	122	691928	Spacer-Carburetor
45	691800	Tappet-Valve	95	●690718	Screw (Throttle Valve)	125A	693480	Carburetor (4 Screw Fuel Pump Mount)
46	691156	Camshaft <b>Note</b> — 214484 Camshaft Used on Type No(s). 1705, 1706, 1707, 2105, 2106, 2107, 2200, 2500. 692857 Camshaft Used on Type No(s). 1725, 1727, 1881, 2125, 2127, 2201, 2281, 4822.	95A	691437	Screw (Throttle Valve)	125B		Carburetor (3 Screw Fuel Pump Mount) (Service With Reference 125A)
			97	693485	Shaft-Throttle	127	●691739	Plug-Welch
			97A	691485	Shaft-Throttle	130	693504	Valve-Throttle
			97B	690629	Shaft-Throttle	130A	691727	Valve-Throttle
			98	807923	Kit-Idle Speed	133	693512	Float-Carburetor
			98A	693942	Kit-Idle Speed	133A	692265	Float-Carburetor
			102	●693509	Gasket-Carburetor Body	134	●394682	Kit-Needle/Seat
			102A	●273186	Gasket-Carburetor Body	146	691639	Key-Timing
			104	●693506	Pin-Float Hinge	147	693508	Jet-Pilot
			104A	●691775	Pin-Float Hinge	147A	691431	Jet-Pilot
			105	●692078	Valve-Float Needle			
			107	693482	Body-Lower Carburetor			
			107A	499655	Body-Lower Carburetor			
			107B	491543	Body-Upper Carburetor			
			108	693505	Valve-Choke			
			108A	691233	Valve-Choke			
			108B	223534	Valve-Choke			

★ Included in Engine Gasket Set-Ref. No. 358.

● Included in Carburetor Overhaul Kit-Ref. No. 121.

■ Included in Carburetor Gasket Set-Ref. No. 977.

∅ Included in Valve Gasket Set-Ref. No. 1095.

*Illustrations cover a range of engines. Parts shown without corresponding text may not be used on your specific engine.*

REF. NO.	PART NO.	DESCRIPTION	REF. NO.	PART NO.	DESCRIPTION	REF. NO.	PART NO.	DESCRIPTION	
161	691401	Base–Air Cleaner (Metal)		262353	Spring–Governor (Blue)	265	691024	Clamp–Casing	
161A	495617	Base–Air Cleaner (Metal)			Used on Type No(s). 1210, 1213, 1215, 1220.	265A	692179	Clamp–Casing Used on Type No(s). 1209, 1229, 1236, 1261, 1507, 1515, 1524, 1525.	
163	★690273	Gasket–Air Cleaner		690559	Spring–Governor (Black)	267	690316	Screw (Casing Clamp)	
165	693148	Nut (Ring Gear)			Used on Type No(s). 1217, 1233, 1509.	267A	690804	Screw (Casing Clamp)	
170	691695	Stud (Crankcase Cover/Sump) (Used in Positions 1 and 7) Used on Type No(s). 1214, 1244, 1257, 1510.		690565	Spring–Governor (Orange)	268	691025	Casing–Control Wire (Cut To Required Length)	
186	691764	Connector–Hose (Pulse Line)			Used on Type No(s). 1130, 1208, 1218, 1222, 1224, 1225, 1232, 1238, 1239, 1251, 1265, 1505, 1512, 1521, 4030.	269	691026	Wire–Control (Cut To Required Length)	
187	499167	Line–Fuel (Cut To Required Length)		211	691807	Spring–Governed Idle	270	691027	Nut (Control Wire Casing)
188	691003	Screw (Control Bracket)	212	693544	Link–Throttle (Used On 4 Screw Fuel Pump Mount Carburetors)	271	691028	Lever–Control	
202	690570	Link–Mechanical Governor		212A	690571	Link–Throttle (Used On 3 Screw Fuel Pump Mount Carburetors)	276	●693497	Washer–Sealing (Carburetor Plug)
203	493230	Crank–Bell				276A	●693510	Washer–Sealing (Foam)	
203A	690652	Crank–Bell				276B	★691872	Washer–Sealing (Foam)	
205	690322	Screw (Bell Crank)				276C	★691319	Washer–Sealing (Carburetor Plug)	
209	690558	Spring–Governor (Brown)		216	690562	Link–Choke	278	692810	Washer (Governor Control Lever)
		<b>Note</b>		219	394348	Gear–Governor	295	492061	Adapter–Remote Oil Filter (Includes 18" Hose)
		691273 Spring–Governor (White) Used on Type No(s). 1209, 1214, 1216, 1219, 1229, 1234, 1235, 1236, 1240, 1241, 1242, 1243, 1244, 1256, 1257, 1258, 1259, 1260, 1261, 1263, 1264, 1266, 1267, 1275, 1276, 1277, 1278, 1281, 1507, 1508, 1510, 1515, 1516, 1522, 1524, 1525, 1527, 1529, 1881, 2281.		220	690412	Washer (Governor Gear)			<b>Note</b>
				222	691366	Bracket–Control			492062 Adapter–Remote Oil Filter (Includes 30" Hose)
				227	690762	Lever–Governor Control	297	691331	Nut (Air Filter Retainer)
				231	690718	Screw (Choke Valve)			
				231A	691437	Screw (Choke Valve)			
				235	691206	Shield–Fuel Spray			
				239	491657	Switch–Oil Pressure			
				239A	692999	Switch–Oil Pressure Used on Type No(s). 1281, 1881, 2281.			
				240	394358	Filter–Fuel			
				240A	691035	Filter–Fuel			
				259	690437	Bracket–Casing Clamp			

★ Included in Engine Gasket Set–Ref. No. 358.

● Included in Carburetor Overhaul Kit–Ref. No. 121.

■ Included in Carburetor Gasket Set–Ref. No. 977.

⊙ Included in Valve Gasket Set–Ref. No. 1095.

*Illustrations cover a range of engines. Parts shown without corresponding text may not be used on your specific engine.*

# 422700

REF. NO.	PART NO.	DESCRIPTION	REF. NO.	PART NO.	DESCRIPTION	REF. NO.	PART NO.	DESCRIPTION
300	491319	Muffler (Super Lo Tone)	332	691059	Nut (Flywheel)	394	●■693489	Diaphragm– Carburetor
300A	690838	Muffler (Super Lo Tone)	333	394891	Armature–Magneto (MAGNETRON®)	394A	●■691871	Diaphragm– Carburetor
300B	399635	Muffler (Square Lo Tone)	334	691061	Screw (Magneto Armature)	394B	●■272638	Diaphragm– Carburetor
300C	494436	Muffler (Super Lo Tone)	337	802592	Plug–Spark (Resistor)	395	690481	Cover–Valve Chamber (Used After Code Date 91080400).
304	690826	Housing–Blower (Black)	346	690661	Screw (Spark Arrestor)	395A	224362	Cover–Valve Chamber (Used Before Code Date 91080500).
		<b>Note</b>	356	690807	Wire–Stop (1 Wire, 15–13/16” Long)(Snap Connect Insulated Female Blade Terminal, And Snap Connect Insulated Pin Socket)	400	690674	Cooler–Oil
		691391 Housing– Blower (Red)	356A	491391	Wire–Stop (2 Wires, 5–33/64” And 15–23/32” Long)(Snap Connect Insulated Female Blade Terminal, And 2 Push–On Female Blade Terminals)	403	690288	Washer (End Cap)
305B	692198	Screw (Blower Housing)				404	690442	Washer (Governor Crank)
306	690414	Shield–Cylinder				405	690364	Screw (Back Plate)
306A	690435	Shield–Cylinder				415	690283	Plug (Oil Pressure Switch)
307	691003	Screw (Cylinder Shield)				415A	691363	Plug (For High Oil Fill Hole) Used on Type No(s). 1105, 1106, 1107, 1125, 1127, 1200, 1201, 1202, 1203, 1207, 1208, 1209, 1211, 1214, 1224, 1225, 1227, 1228, 1229, 1230, 1232, 1233, 1234, 1235, 1236, 1238, 1239, 1240, 1241, 1242, 1243, 1244, 1251, 1253, 1254, 1256, 1257, 1258, 1259, 1260, 1261, 1263, 1264, 1265, 1266, 1267, 1500, 1502, 1507, 1510, 1511, 1512, 1513, 1515, 1516, 1521, 1522, 1524, 1525, 1527, 4015, 4022.
309	497596	Motor–Starter (3-5/8” Housing Length)						
309A	498148	Motor–Starter (4-3/8” Housing Length)						
309B		Motor–Starter (For Replacement Starter Motor, Reference 309A)	356B	691423	Wire–Stop (1 Wire, 10–3/4” Long)(2 Snap Connect Insulated Female Blade Terminals)			
310	690323	Bolt (Starter Motor) (3-5/8” Housing Length)	358	495868	Gasket Set–Engine			
310A	691263	Bolt (Starter Motor) (4-3/8” Housing Length)	359	691077	Washer (Ground Terminal)			
310B	692329	Bolt (Starter Motor) (4-1/2” and 4-3/8” Housing Length)	363	19203	Flywheel Puller			
311	497608	Brush Set	365	690321	Screw (Carburetor)			
311A	395538	Brush Set (3-5/8” Housing Length)	373	691612	Nut (Ground Terminal)			
311B	490311	Brush Set (4-1/2” Housing Length)	383	89838	Wrench–Spark Plug			
			391	693487	Body–Fuel Pump			
			391A	691896	Body–Fuel Pump			
			392	●■693491	Spring–Pump Diaphragm			
			392A	●■691801	Spring–Pump Diaphragm			

★ Included in Engine Gasket Set–Ref. No. 358.

● Included in Carburetor Overhaul Kit–Ref. No. 121.

■ Included in Carburetor Gasket Set–Ref. No. 977.

⊘ Included in Valve Gasket Set–Ref. No. 1095.

*Illustrations cover a range of engines. Parts shown without corresponding text may not be used on your specific engine.*



REF. NO.	PART NO.	DESCRIPTION	REF. NO.	PART NO.	DESCRIPTION	REF. NO.	PART NO.	DESCRIPTION
417	691693	Screw (Oil Cooler)	520	691084	Terminal-Ground	578	692306	Wire Assembly (1 Wire, 48-1/2" Long)(Snap Connect Female Pin Socket, And Bare Wire End)
425	691675	Screw (Air Cleaner Cover)	523	691385	Dipstick	579	690958	Nut (Starter Cable)
432	●■693492	Cap-Spring	524	★692532	Seal-Dipstick Tube	601	95162	Clamp-Hose (Zinc Plate)(Spring Wire)
432A	●■690766	Cap-Spring	525	690823	Tube-Dipstick (Used After Code Date 92071900).	601A	691145	Clamp-Hose (Spring Wire)
434	693493	Cover-Diaphragm	525A	691389	Tube-Dipstick (Used Before Code Date 92072000).	613	691416	Screw (Muffler)
434A	690434	Cover-Diaphragm	526	690297	Screw (Regulator) (10 To 16 Amp Regulated)	613A	690810	Screw (Muffler)
435	693494	Screw (Diaphragm Cover)	526A	690326	Screw (Regulator) (5 To 9 Amp Regulated)	615	690317	Retainer-Governor Shaft
435A	691085	Screw (Diaphragm Cover)	527	690423	Clamp-Tube	616	491530	Crank-Governor
439	690589	Seal-O Ring (Crankcase Cover/Sump)	544	692034	Armature-Starter (3-5/8" Housing Length)	629	262539	Spring-Throttle Return
441	691176	Bracket-Oil Fill	544A	498595	Armature-Starter (4-3/8" Housing Length) (Service With Reference 309A, Part Number 498148)	635	66538	Boot-Spark Plug
445	394019	Filter-Air Cleaner Cartridge	544B	390837	Armature-Starter (3-5/8" Housing Length)	643	496700	Retainer-Air Filter
447	690297	Screw (Air Guide Cover)	544C	490309	Armature-Starter (4-1/2" and 4-3/8" Housing Lengths)	643A	223714	Retainer-Air Filter
447B	690312	Screw (Air Guide Cover)	551	690415	Cover-Valve	676	393761	Deflector-Muffler
449	691044	Screw (Oil Fill Bracket)	552	690553	Bushing-Governor Crank	676A	397630	Deflector-Muffler Used on Type No(s). 1206, 1207.
467	691668	Knob-Air Cleaner	552A	690552	Bushing-Governor Crank	676B	396903	Deflector-Muffler Used on Type No(s). 1216, 1219.
474A	691953	Alternator (DC Only)	562	690311	Bolt (Governor Control Lever)	677	690661	Screw (Muffler Deflector))
474B	696459	Alternator (Dual Circuit)	563	691693	Screw (Debris Guard Screen)	689	690555	Spring-Friction
474C	696457	Alternator (Tri Circuit 5 To 9 Amp Regulated)	573	696040	Plate-Back (Used After Code Date 00101500).	691	★690657	Seal-Governor Shaft
474D	696458	Alternator (10 To 16 Amp Regulated)				695	693149	Screw (Ring Gear)
493	690416	Bracket-Mounting				697	691625	Screw (Drive Cap)
501	691185	Regulator (10 To 16 Amp Regulated)				716	220863	Washer (Connecting Rod)
501A	691188	Regulator (5 To 9 Amp Regulated)				725	280866	Shield-Heat
505	691029	Nut (Governor Control Lever)				725A	690420	Shield-Heat
507	691972	Insulator				726	391362	Gear-Ring (Includes Mounting Hardware)
510	497606	Drive-Starter				737	690332	Screw (Oil Filter Adapter)
510A	495878	Drive-Starter				741	691285	Gear-Timing
513	692024	Clutch-Drive				742	690328	Retainer-E Ring

★ Included in Engine Gasket Set-Ref. No. 358.

● Included in Carburetor Overhaul Kit-Ref. No. 121.

■ Included in Carburetor Gasket Set-Ref. No. 977.

⊙ Included in Valve Gasket Set-Ref. No. 1095.

*Illustrations cover a range of engines. Parts shown without corresponding text may not be used on your specific engine.*

# 422700

REF. NO.	PART NO.	DESCRIPTION	REF. NO.	PART NO.	DESCRIPTION	REF. NO.	PART NO.	DESCRIPTION	
750	690960	Screw (Oil Pump Cover) (Used After Code Date 98011100).	829	494724	Hose—Oil (18" Long)	871	261961	Bushing—Valve Guide (Exhaust)	
750A	690336	Screw (Oil Pump Cover) (Used Before Code Date 98011200).	829A	494725	Hose—Oil (30" Long)	———— <b>Note</b> ————		231218	Bushing—Valve Guide (Intake)
773	692334	Retainer	842	★271170	Seal—O Ring (Dipstick Tube)	876	495877	Kit—Pinion Spring	
783	693059	Gear—Pinion	847	495715	Dipstick/Tube Assembly	877	393456	Wire/Connector— Alternator (Dual Circuit)	
797	693167	Nut (Brush Retainer)	851	493880	Terminal—Spark Plug	877A	399916	Wire/Connector— Alternator (2 Wires, 7–5/32" Long)(2 Bare Wire Ends, And Insulated Snap Connect Male Pin Terminal)	
801	691967	Cap—Drive	859	●693488	Gasket—Carburetor Pump	877B	393537	Wire/Connector— Alternator (Tri Circuit 5 To 9 Amp Regulated)	
802	691286	Cap—End	859A	●693490	Gasket—Carburetor Pump	877C	393814	Wire/Connector— Alternator (10 To 16 Amp Regulated)	
802A	395537	Cap—End (3-5/8" Housing Length)	859B	●691873	Gasket—Carburetor Pump	878	691237	Harness—Alternator (2 Wires, 48–1/2", And 48–1/2" Long)(Snap Connect Female Pin Terminal, And 2 Bare Wire Ends)	
802B	494988	Cap—End (4-3/8" Housing Length)	860	●691799	Spring—Diaphragm	878A	691955	Harness—Alternator (3 Wires, 5", 48", And 48" Long)(Snap Connect Pin Socket, 2 Bare Wire Ends, And 2 Insulated Rectifier Diodes)	
802C		Cap—End (4–3/8" Housing Length)(Service With Reference 309A, Part Number 498148)	861	693502	Kit—Fuel Pump (Used On 4 Screw Fuel Pump Mount Carburetors)	883	★692282	Gasket—Exhaust	
803	693757	Housing—Starter (3-5/8" Housing Length)	861A	393397	Kit—Fuel Pump (Used On 3 Screw Fuel Pump Mount Carburetors)	883A	★692236	Gasket—Exhaust	
803A	398159	Housing—Starter (3-5/8" Housing Length)	863	690444	Bracket—Muffler	892	692318	Switch—Key	
803B	398892	Housing—Starter (4-1/2" Housing Length)	864	691975	Adapter—Muffler (Cylinder 1)	896	691641	Pin—Drive Retainer	
803C	494205	Housing—Starter (4-3/8" Housing Length)	864A	691365	Adapter—Muffler (Cylinder 2)	897	394970	Kit—MAGNETRON® Ignition	
807	693511	Spacer—Throttle	864B	691970	Adapter—Muffler				
819	690297	Screw (Muffler Bracket)	865	691196	Cover—Air Guide				
823	691681	Screw (Muffler Adapter)	865A	691197	Cover—Air Guide				
823A	691648	Screw (Muffler Adapter)	865B	690830	Cover—Air Guide (Cylinder 1)				
823B	690316	Screw (Muffler Adapter)	865C	690831	Cover—Air Guide (Cylinder 2)				
			865D	690829	Cover—Air Guide (Cylinder 2)				
			868	∅692324	Seal—Valve (Black)				
			869	691802	Seat—Valve (Intake)				
			870	691844	Seat—Valve (Exhaust)				

★ Included in Engine Gasket Set—Ref. No. 358.

● Included in Carburetor Overhaul Kit—Ref. No. 121.

■ Included in Carburetor Gasket Set—Ref. No. 977.

∅ Included in Valve Gasket Set—Ref. No. 1095.

*Illustrations cover a range of engines. Parts shown without corresponding text may not be used on your specific engine.*

REF. NO.	PART NO.	DESCRIPTION	REF. NO.	PART NO.	DESCRIPTION	REF. NO.	PART NO.	DESCRIPTION
918	393815	Hose–Vacuum (Cylinder To Impulse Pump) (Cut to Required Length)	1019	491262	Kit–Label	1068	499501	Hose/Clamp Assembly
			1024	499054	Pump–Oil	1083	690958	Nut (End Cap)
			1027	492932	Filter–Oil (2-1/4" Long)	1090	691293	Retainer–Brush
926	498233	Kit–Housing/Cap (4-1/2" Housing Length)	1027A	491056	Filter–Oil (3-1/4" Long)	1095	498047	Gasket Set–Valve
			1028	491721	Adapter–Oil Filter	1119	691183	Screw (Alternator)
934	691058	Screw (Fan Retainer)	1028A	492675	Adapter–Oil Filter	1132	690353	Screw (Oil Slinger)
			1028B	690675	Adapter–Oil Filter	1135	691261	Washer (Crankcase Cover/Sump) (Used in Positions 1 and 7)
940	690316	Screw (Casing Clamp Bracket)	1032	491710	Ball–Oil Pump			Used on Type No(s). 1105, 1106, 1107, 1125, 1127, 1200, 1201, 1202, 1203, 1207, 1208, 1209, 1211, 1214, 1224, 1225, 1227, 1228, 1229, 1230, 1232, 1233, 1234, 1235, 1236, 1238, 1239, 1240, 1241, 1242, 1243, 1244, 1251, 1253, 1254, 1256, 1257, 1258, 1259, 1260, 1261, 1263, 1264, 1265, 1266, 1267, 1500, 1502, 1507, 1510, 1511, 1512, 1513, 1515, 1516, 1521, 1522, 1524, 1525, 1527, 4015, 4022.
943	★690589	Seal–O Ring (Oil Pump Cover)	1035	693158	Shaft–Pump (Used After Code Date 98011100).			
947	693495	Solenoid–Fuel	1036	696779	Label–Emission (Used After Code Date 01093000).			
947A	397266	Solenoid–Fuel			<b>Note</b>			
949	491349	Guard–Debris Screen			695702 Label– Emission (Used After Code Date 00063000 and Before Code Date 01100100).			
949A	690840	Guard–Debris Screen			694979 Label– Emission (Used After Code Date 99093000 and Before Code Date 00070100).			
955	693513	Plug–Carburetor			694391 Label– Emission (Used After Code Date 98123100 and Before Code Date 99100100).			
955A	397882	Plug–Carburetor			499380 Label– Emission (Used After Code Date 97052500 and Before Code Date 99010100).			
957	493988	Cap–Fuel Tank (Plastic)			499379 Label– Emission (Used Before Code Date 97052600).			
965	499613	Cover–Oil Pump (Used After Code Date 98011100).						
965A	492197	Cover–Oil Pump (Used Before Code Date 98011200).						
967	272490	Filter–Pre Cleaner						
968	691207	Cover–Air Cleaner						
968A	224436	Cover–Air Cleaner						
971	691100	Screw (Air Cleaner Base)						
986	271964	Filter–Debris Used on Type No(s). 1130, 4030.						
988	★691313	Gasket–Oil Adapter						
990	691959	Key Set						
994	392390	Arrestor–Spark						
997	280754	Shield–Debris Used on Type No(s). 1130, 4030.						
1003	490316	Spring–Brush (4-1/2" Housing Length)	1051	691265	Ring–Retaining	1136	690329	Screw (High Speed Control)
1005	498157	Fan–Flywheel	1054	280275	Cable Tie	1137	690390	Washer (High Speed Control)
1006	691247	Retainer–Fan	1058	274796	Owner's Manual (Emission)	1138	690330	Nut (High Speed Control)
1006A	690452	Retainer–Fan			<b>Note</b>	1154	690366	Screw (Valve Chamber Cover)
1017	690770	Screen–Oil Pump			272112 Owner's Manual (Non Emission)	1159	690286	Washer (Oil Slinger)
						1194	★691876	Seal–O-Ring (Plug)

★ Included in Engine Gasket Set–Ref. No. 358.

● Included in Carburetor Overhaul Kit–Ref. No. 121.

■ Included in Carburetor Gasket Set–Ref. No. 977.

⊙ Included in Valve Gasket Set–Ref. No. 1095.

*Illustrations cover a range of engines. Parts shown without corresponding text may not be used on your specific engine.*