



282H00

Illustrated Parts List

Model Series

282H00

TYPE NUMBERS
0105 through 0600.

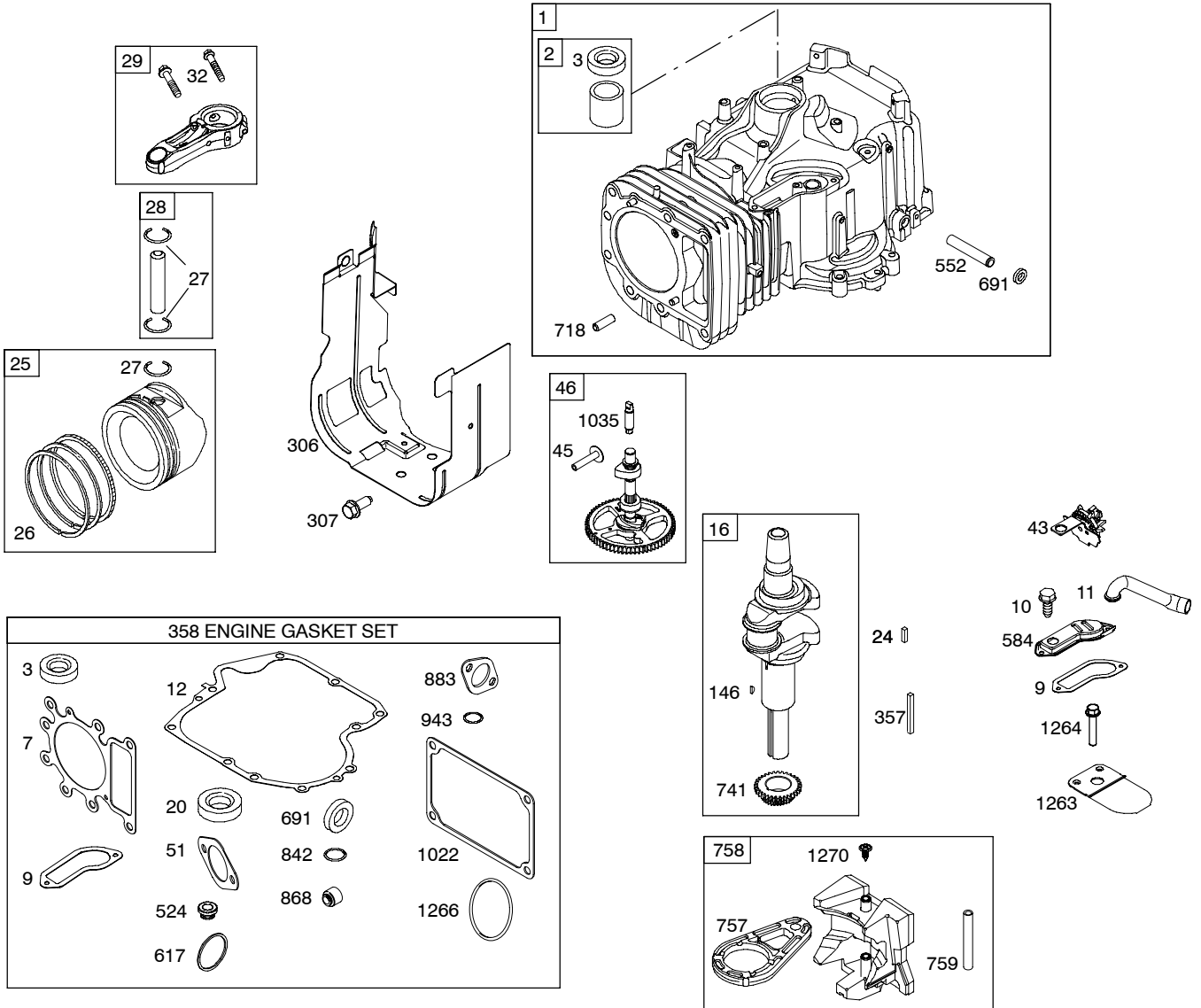
TABLE OF CONTENTS

Air Cleaner	5
Alternator	7
Blower Housing	5
Camshaft	2
Carburetor	4
Controls	7
Crankshaft	2
Cylinder	2
Cylinder Head	3
Electric Starter	7
Engine Sump	2
Flywheel	6
Fuel Supply	4
Gasket Set - Engine	2
Gasket Set - Valve	3
Governor Spring	7
Ignition	7
Kit - Carburetor Overhaul	4
Lubrication	3
Piston, Rings, Connecting Rod	2
Valves	3



PRINTED IN U.S.A.

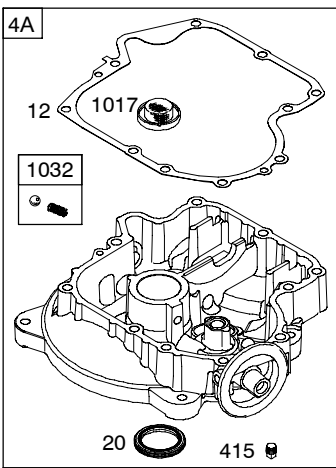
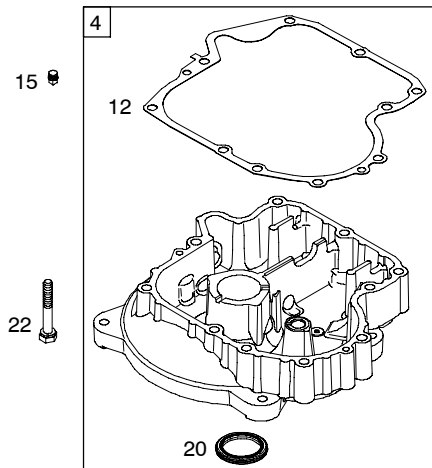
COPYRIGHT by BRIGGS & STRATTON CORPORATION
All rights reserved. No part of this material may be reproduced or transmitted, in any form or by any means, electronic or mechanical, including photocopying, recording or by any information storage and retrieval system, without permission in writing from Briggs & Stratton Corporation.



1058 OWNER'S MANUAL

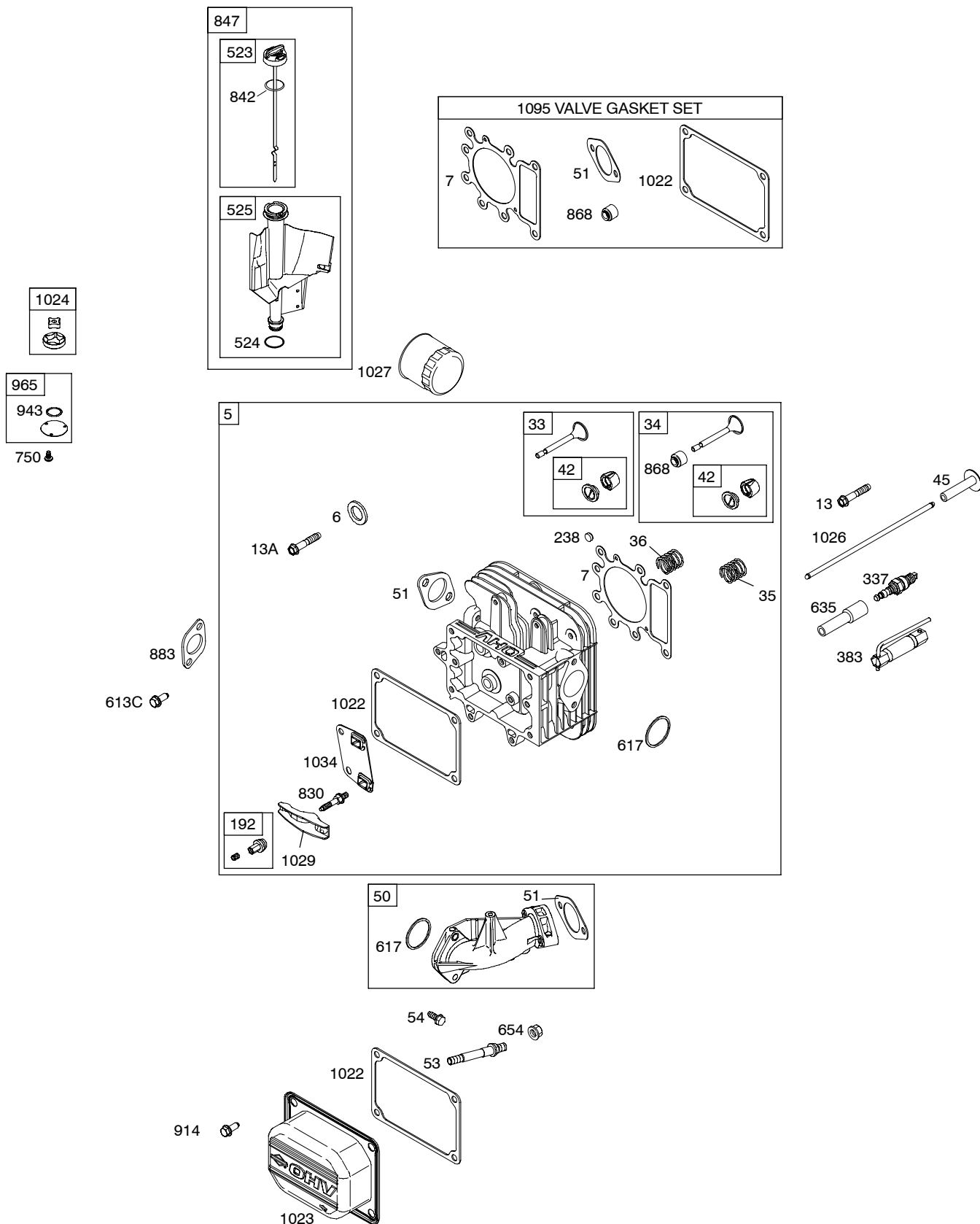
1330 REPAIR MANUAL

1319 WARNING LABEL



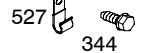
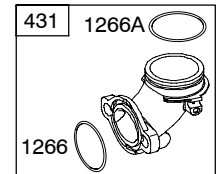
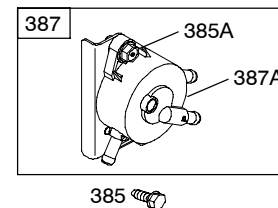
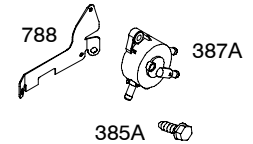
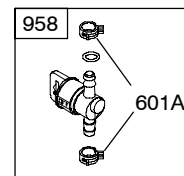
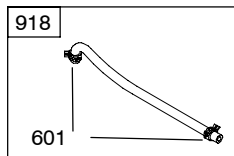
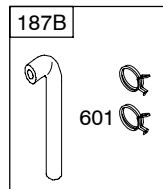
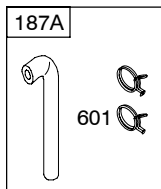
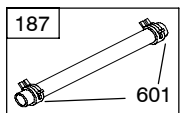
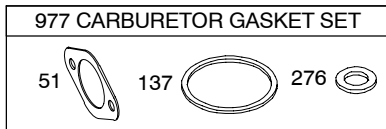
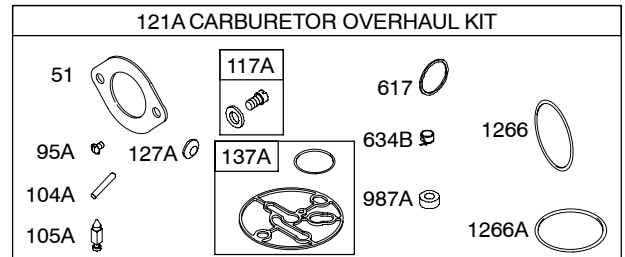
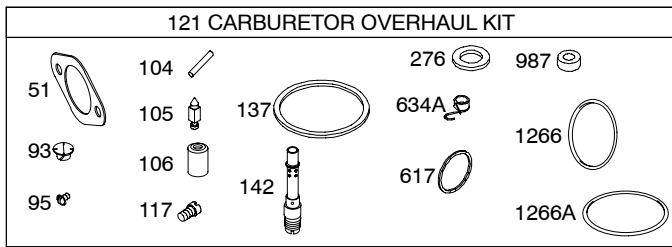
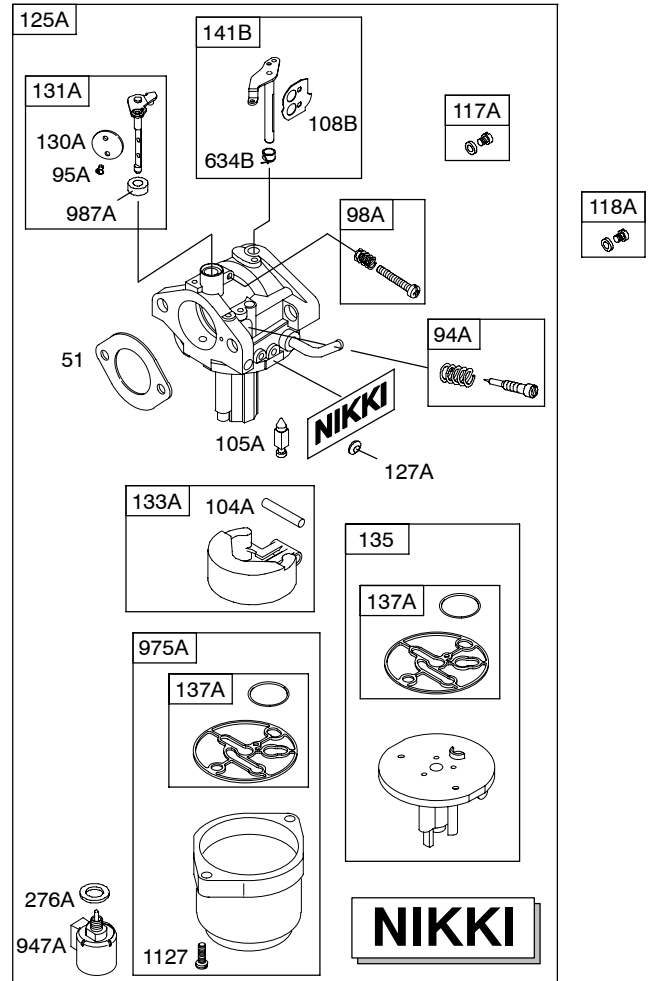
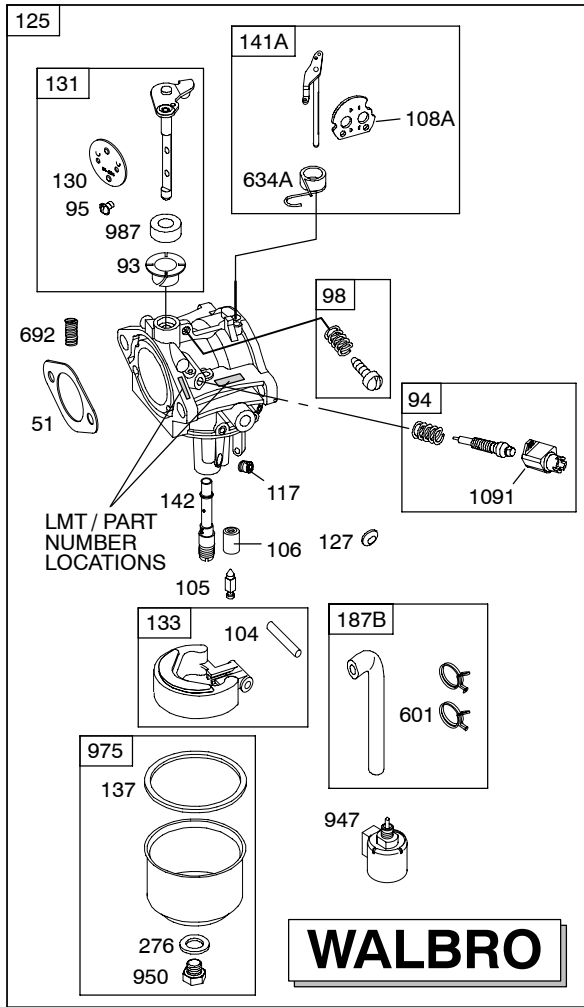
WARNING	
	Read and follow Operating Instructions before running engine.
	Gasoline is flammable. Allow engine to cool at least 2 minutes before refueling.
	Engines emit carbon monoxide, DO NOT run in enclosed area.
	Muffler area temperature may exceed 150°F. Do not touch hot parts.
REQUIRED when replacing parts with warning labels affixed.	

Illustrations cover a range of engines. Parts shown without corresponding text may not be used on your specific engine.

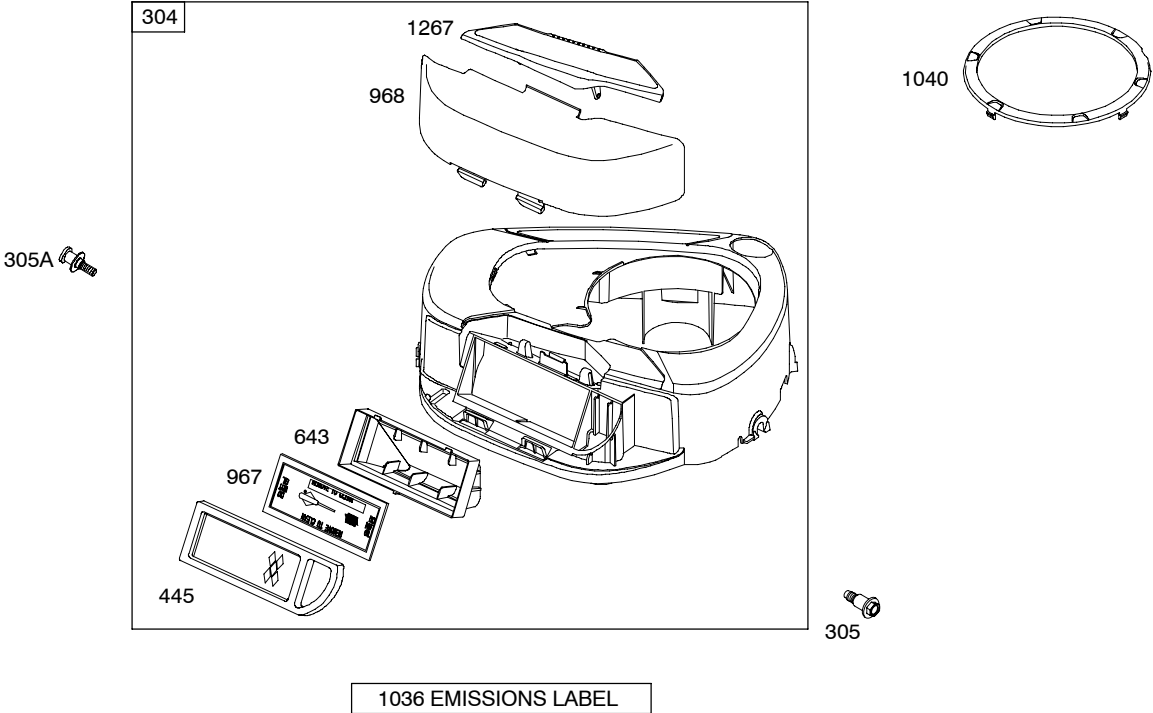


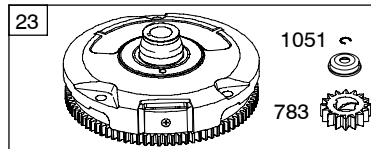
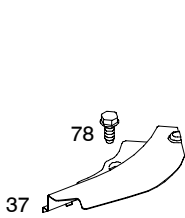
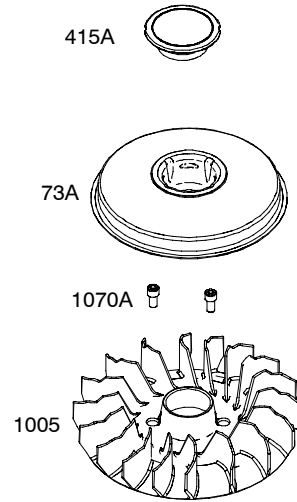
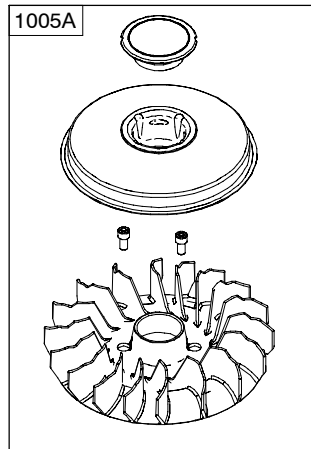
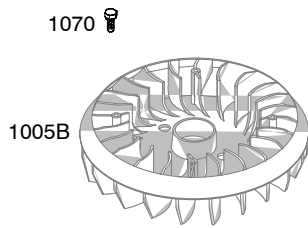
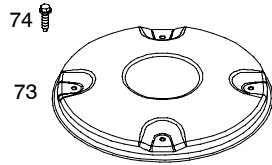
Illustrations cover a range of engines. Parts shown without corresponding text may not be used on your specific engine.

282H00

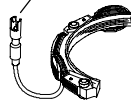



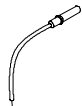

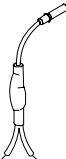




Illustrations cover a range of engines. Parts shown without corresponding text may not be used on your specific engine.



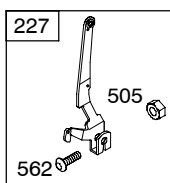
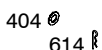
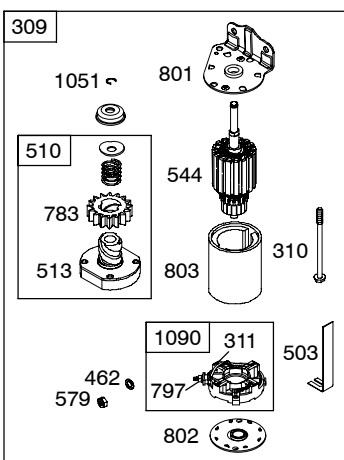
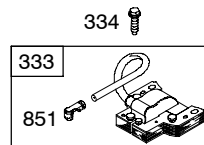
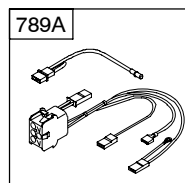
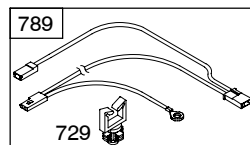


Illustrations cover a range of engines. Parts shown without corresponding text may not be used on your specific engine.

DC ONLY	DUAL CIRCUIT	474B	TRI CIRCUIT
474 	474A 	1059 	1059 
578 	878 	878A 	5/9 AMP REGULATED 501 

NOTE: All stators use a No. 1119 mounting screw. 

NOTE: The proper flywheel part number and/or the alternator magnet size will determine the alternator type or output. See repair instruction manual for additional information.



Illustrations cover a range of engines. Parts shown without corresponding text may not be used on your specific engine.

282H00

REF. NO.	PART NO.	DESCRIPTION	REF. NO.	PART NO.	DESCRIPTION	REF. NO.	PART NO.	DESCRIPTION
1	794087	Cylinder Assembly	24	222698s	Key-Flywheel	35	691279	Spring-Valve (Intake)
2	399265	Kit-Bushing/Seal (Magneto Side)	25	792307	Piston Assembly (Standard)	36	691279	Spring-Valve (Exhaust)
3	★391086s	Seal-Oil (Magneto Side)			----- Note -----	37	697352	Guard-Flywheel
4	697106	Sump-Engine			792728 Piston Assembly (.020 Oversize)	42	499586	Keeper-Valve
4A	697188	Sump-Engine Used on Type No(s). 0242, 0257.	26	792306	Ring Set (Standard)	43	691968	Slinger-Governor/Oil
5	794538	Head-Cylinder			792643 Ring Set (.020" Oversize)	45	690564	Tappet-Valve
6	690310	Washer (Cylinder Head) (Used After Code Date 07010900).			----- Note -----	46	793583	Camshaft
7Δ	★273280s	Gasket-Cylinder Head			698375 Ring Set (Standard) (Used Before Code Date 05103100).	50	690193	Manifold-Intake
9	★697109	Gasket-Breather			698397 Ring Set (.020" Oversize) (Used Before Code Date 05103100).	51Δ★	692137	Gasket-Intake
10	697157	Screw (Breather Assembly)	27	698469	Lock-Piston Pin	53	690227	Stud (Carburetor)
11	697113	Tube-Breather	28	697099	Pin-Piston (Standard)	54	691148	Screw (Intake Manifold)
12	★697110	Gasket-Crankcase	29	791631	Rod-Connecting (Standard)	73	697133	Screen-Rotating (Used Before Code Date 07040900).
13	690360	Screw (Cylinder Head) (Used Before Code Date 07011000).	32	791118	Screw (Connecting Rod)	73A	794437	Screen-Rotating (Used After Code Date 07040800).
13A	793988	Screw (Cylinder Head) (Used After Code Date 07010900).	33	791934	Valve-Exhaust (Used After Code Date 06011900).	74	697897	Screw (Rotating Screen)
15	690946	Plug-Oil Drain (Square Head)			----- Note -----	78	691003	Screw (Flywheel Guard)
16	697127	Crankshaft			695760 Valve-Exhaust (Used Before Code Date 06012000).	93	●690602	Bushing-Throttle Shaft
20	★791892	Seal-Oil (PTO Side)	34	791935	Valve-Intake (Used After Code Date 06011900).	94	498030	Kit-Idle Mixture
22	692125	Screw (Crankcase Cover/Sump)			----- Note -----	94A	695425	Kit-Idle Mixture
23	693557	Flywheel Used on Type No(s). 0110, 0125, 0188, 0196, 0198, 0200, 0231, 0239, 0242, 0334, 0382, 0600.			691279 Valve-Intake (Used Before Code Date 06012000).	95	●691636	Screw (Throttle Valve)
		----- Note -----				95A	●690718	Screw (Throttle Valve)
		693556 Flywheel Used on Type No(s). 0105, 0111, 0113, 0115, 0116, 0117, 0119, 0120, 0121, 0122, 0123, 0124, 0199, 0257, 0262.				98	495800	Kit-Idle Speed
						98A	695408	Kit-Idle Speed
						104	●690525	Pin-Float Hinge
						104A	●694918	Pin-Float Hinge
						105	●231855s	Valve-Float Needle
						105A	●696136	Valve-Float Needle
						106	●690577	Seat-Inlet (Walbro)(Gravity Feed)
								----- Note -----
								●691780 Seat-Inlet (Walbro)(Pump Feed)
						108A	692344	Valve-Choke
						108B	695419	Valve-Choke
						117	●694352	Jet-Main (Standard)
						117A	●699457	Jet-Main (Standard)
						118	697228	Jet-Main (High Altitude)
						118A	699458	Jet-Main (High Altitude)

★ Included in Engine Gasket Set-Ref. No.358.

● Included in Carburetor Overhaul Kit-Ref. No. 121 & 121A.

◆ Included in Carburetor Gasket Set-Ref. No. 977.

Δ Included in Valve Gasket Set-Ref. No 1095.

Illustrations cover a range of engines. Parts shown without corresponding text may not be used on your specific engine.

282H00

REF. NO.	PART NO.	DESCRIPTION	REF. NO.	PART NO.	DESCRIPTION	REF. NO.	PART NO.	DESCRIPTION
337	691043	Plug-Spark Used on Type No(s). 0105, 0110, 0111, 0113, 0115, 0116, 0117, 0119, 0120, 0121, 0125, 0199, 0239, 0262, 0382. ----- Note ----- 491055s Plug-Spark Used on Type No(s). 0188, 0196, 0198, 0200, 0231, 0242, 0257, 0334, 0600. 792015 Plug-Spark Used on Type No(s). 0423.	462	691261	Washer (Starter Cable)	526	697088	Screw (Regulator)
			474	696578	Alternator (DC Only) Used on Type No(s). 0110.	527	698467	Clamp-Tube
			474A	696459	Alternator (Dual Circuit) Used on Type No(s). 0125, 0188, 0196, 0198, 0200, 0231, 0239, 0242, 0334, 0382, 0423, 0600.	544	692034	Armature-Starter
			474B	696457	Alternator (Tri Circuit) Used on Type No(s). 0105, 0111, 0113, 0115, 0116, 0117, 0119, 0120, 0121, 0122, 0123, 0124, 0199, 0257, 0262.	552	697144	Bushing-Governor Crank
344	693675	Screw (Cable Clamp)	501	691188	Regulator	559	697561	Screw (Remote Choke Stop)
356	697089	Wire-Stop	503	691532	Strap-Starter	562	691119	Bolt (Governor Control Lever)
357	691483	Key-Drive Pulley Used on Type No(s). 0115, 0116, 0119, 0199.	505	691251	Nut (Governor Control Lever)	578	692306	Wire Assembly Used on Type No(s). 0110.
358	697151	Gasket Set-Engine	510	693699	Drive-Starter	579	691029	Nut (Starter Cable)
363	19203	Puller-Flywheel	513	692024	Clutch-Drive	584	697112	Cover-Breather Passage
383	89838	Wrench-Spark Plug	521	690581	Shield-Cable	601	791850	Clamp-Hose
385	694476	Screw (Fuel Pump)	523	699908	Dipstick	601A	691038	Clamp-Hose
385A	690297	Screw (Fuel Pump)	524	★691032	Seal-Dipstick Tube	613C	698941	Screw (Muffler)
387	697090	Pump-Fuel (Includes Mounting Bracket) Used on Type No(s). 0110, 0117, 0121, 0123, 0257.	525	697184	Tube-Dipstick Used on Type No(s). 0105, 0111, 0113, 0115, 0116, 0119, 0121, 0123, 0124, 0125, 0188, 0196, 0198, 0199, 0200, 0231, 0239, 0242, 0262, 0334, 0382, 0423, 0600. ----- Note ----- 697085 Tube-Dipstick Used on Type No(s). 0110, 0117, 0120, 0122, 0123, 0257.	614	691620	Pin-Cotter
387A	808656	Pump-Fuel Used on Type No(s). 0110, 0117, 0121, 0122, 0257.				616	692012	Crank-Governor
404	691691	Washer (Governor Crank)				617	★692138	Seal-O Ring (Intake Manifold)
415	690283	Plug (Sump)				634A	●690802	Spring/Seal Assembly
415A	794129	Plug (Cover/Retainer)				634B	●698779	Spring/Seal Assembly
431	697122	Elbow-Intake				635	691909	Boot-Spark Plug
445	698083	Filter-Air Cleaner Cartridge (Non Washable)				643	698401	Retainer-Air Filter
						654	690958	Nut (Carburetor)
						691	★692407	Seal-Governor Shaft
						692	690572	Spring-Detent
						697	690372	Screw (Drive Cap)
						718	690959	Pin-Locating (Wire Saddle)
						729	691335	Clip-Wire
						729A	691224	Clip-Wire (Aluminum Coated Steel)
						741	697128	Gear-Timing

★ Included in Engine Gasket Set-Ref. No.358.

● Included in Carburetor Overhaul Kit-Ref. No. 121 & 121A.

◆ Included in Carburetor Gasket Set-Ref. No. 977.

△ Included in Valve Gasket Set-Ref. No 1095.

Illustrations cover a range of engines. Parts shown without corresponding text may not be used on your specific engine.

REF. NO.	PART NO.	DESCRIPTION	REF. NO.	PART NO.	DESCRIPTION	REF. NO.	PART NO.	DESCRIPTION
750	790832	Screw (Oil Pump Cover) Used on Type No(s). 0242, 0257.	851	692424	Terminal-Spark Plug	965	499613	Cover-Oil Pump Used on Type No(s). 0242, 0257.
757	697607	Link-Counterweight	868	Δ★690968	Seal-Valve	967	697015	Filter-Pre Cleaner
758	793763	Counterweight	877	393456	Wire/Connector- Alternator (Dual Circuit) Used on Type No(s). 0125, 0188, 0196, 0198, 0200, 0231, 0239, 0242, 0334, 0382, 0600.	968	698403	Cover-Air Cleaner
759	697392	Pin-Counterweight	877A	393814	Wire/Connector- Alternator (DC Only) Used on Type No(s). 0110.	975	495933	Bowl-Float
783	693713	Gear-Pinion	877B	393537	Wire/Connector- Alternator (Tri Circuit) Used on Type No(s). 0105, 0111, 0113, 0115, 0116, 0117, 0119, 0120, 0121, 0199, 0257, 0262.	975A	699502	Bowl-Float
788	699347	Bracket-Fuel Pump	878	398661	Harness-Alternator Used on Type No(s). 0125, 0188, 0196, 0198, 0200, 0231, 0239, 0242, 0334, 0382, 0600.	977	690192	Gasket Set-Carburetor
789	692037	Harness-Wiring Used on Type No(s). 0105, 0111, 0115, 0116, 0117, 0119, 0120, 0121, 0122.	878A	691955	Harness-Alternator Used on Type No(s). 0105, 0111, 0113, 0115, 0116, 0117, 0119, 0120, 0121, 0199, 0257, 0262.	987	●691326	Seal-Throttle Shaft
789A	698329	Harness-Wiring Used on Type No(s). 0110, 0113, 0123, 0124, 0125, 0188, 0196, 0198, 0199, 0200, 0231, 0239, 0242, 0257, 0262, 0334, 0382, 0423, 0600.	883	★692236	Gasket-Exhaust	987A	●698777	Seal-Throttle Shaft Used on Type No(s). 0242, 0257.
797	693167	Nut (Brush Retainer)	914	691108	Screw (Rocker Cover)	1005	794438	Fan-Flywheel (Used After Code Date 07040800).
801	691283	Cap-Drive	918	791851	Hose-Vacuum (Formed)	1005A	794436	Fan-Flywheel (Used Before Code Date 07040900).
802	691286	Cap-End	943	★690589	Seal-O Ring (Oil Pump Cover) Used on Type No(s). 0242, 0257.	1005B		Fan-Flywheel (No Longer Available) (See Reference 1005A For Service Flywheel Fan).
803		Housing-Starter (Not Serviced Separately, Order Starter Motor 693551)	947	694393	Solenoid-Fuel	1017	690770	Screen-Oil Pump
830	691095	Stud-Rocker Arm	947A	699915	Solenoid-Fuel	1022	Δ★272475s	Gasket-Rocker Cover
842	★691031	Seal-O Ring (Dipstick Tube)	950	695407	Screw-Float Bowl (Bottom Of Bowl)	1023	791079	Cover-Rocker (Used After Code Date 05013100). ----- Note ----- 692492 Cover-Rocker (Used Before Code Date 05020100).
847	790442	Dipstick/Tube Assembly Used on Type No(s). 0105, 0111, 0113, 0115, 0116, 0119, 0125, 0188, 0196, 0198, 0199, 0200, 0231, 0239, 0242, 0262, 0334, 0382. ----- Note ----- 790443 Dipstick/Tube Assembly Used on Type No(s). 0110, 0117, 0120, 0122, 0257.	958	698183	Valve-Fuel Shut Off (Plastic)	1024	499054	Pump-Oil Used on Type No(s). 0242, 0257.
						1026	692003	Rod-Push (Intake) ----- Note ----- 692011 Rod-Push (Exhaust)
						1027	492932	Filter-Oil Used on Type No(s). 0242, 0257.
						1029	691751	Arm-Rocker
						1032	491710	Ball-Oil Pump
						1034	690822	Guide-Push Rod
						1035	693784	Shaft-Pump Used on Type No(s). 0242, 0257.
						1036		Label-Emissions (Available From A Briggs & Stratton Authorized Dealer)

★ Included in Engine Gasket Set-Ref. No.358.

● Included in Carburetor Overhaul Kit-Ref. No. 121 & 121A.

◆ Included in Carburetor Gasket Set-Ref. No. 977.

Δ Included in Valve Gasket Set-Ref. No 1095.

Illustrations cover a range of engines. Parts shown without corresponding text may not be used on your specific engine.

282H00

X	REF. NO.	PART NO.	DESCRIPTION	REF. NO.	PART NO.	DESCRIPTION	REF. NO.	PART NO.	DESCRIPTION
	1040	698368	Plate-Trim	1090	691293	Retainer-Brush	1267	697575	Latch-Blower Housing (Black)
	1044	691658	Screw (Flywheel)	1091	691333	Cap-Limiter			----- Note -----
	1051	691265	Ring-Retaining	1095	691581	Gasket Set-Valve			697419 Latch-Blower Housing (Black)
	1054	280275	Tie-Cable	1119	691183	Screw (Alternator)			Used on Type No(s). 0119, 0121.
	1058	276344	Owner's Manual	1127	695407	Screw (Float Bowl)			
	1059	698516	Kit-Screw/Washer	1263	697124	Reed-Breather	1270	697156	Plug-AVS Counterweight
	1070	690372	Screw (Flywheel Fan) (Used Before Code Date 07040900).	1264	697104	Screw (Breather Reed)	1330	272147	Repair Manual
	1070A	690363	Screw (Flywheel Fan) (Used After Code Date 07040800).	1266	★691917	Seal-O Ring (Intake Elbow)			
				1266A	●697123	Seal-O Ring (Intake Elbow)			

★ Included in Engine Gasket Set-Ref. No.358.

● Included in Carburetor Overhaul Kit-Ref. No. 121 & 121A.

◆ Included in Carburetor Gasket Set-Ref. No. 977.

Δ Included in Valve Gasket Set-Ref. No 1095.

Illustrations cover a range of engines. Parts shown without corresponding text may not be used on your specific engine.