

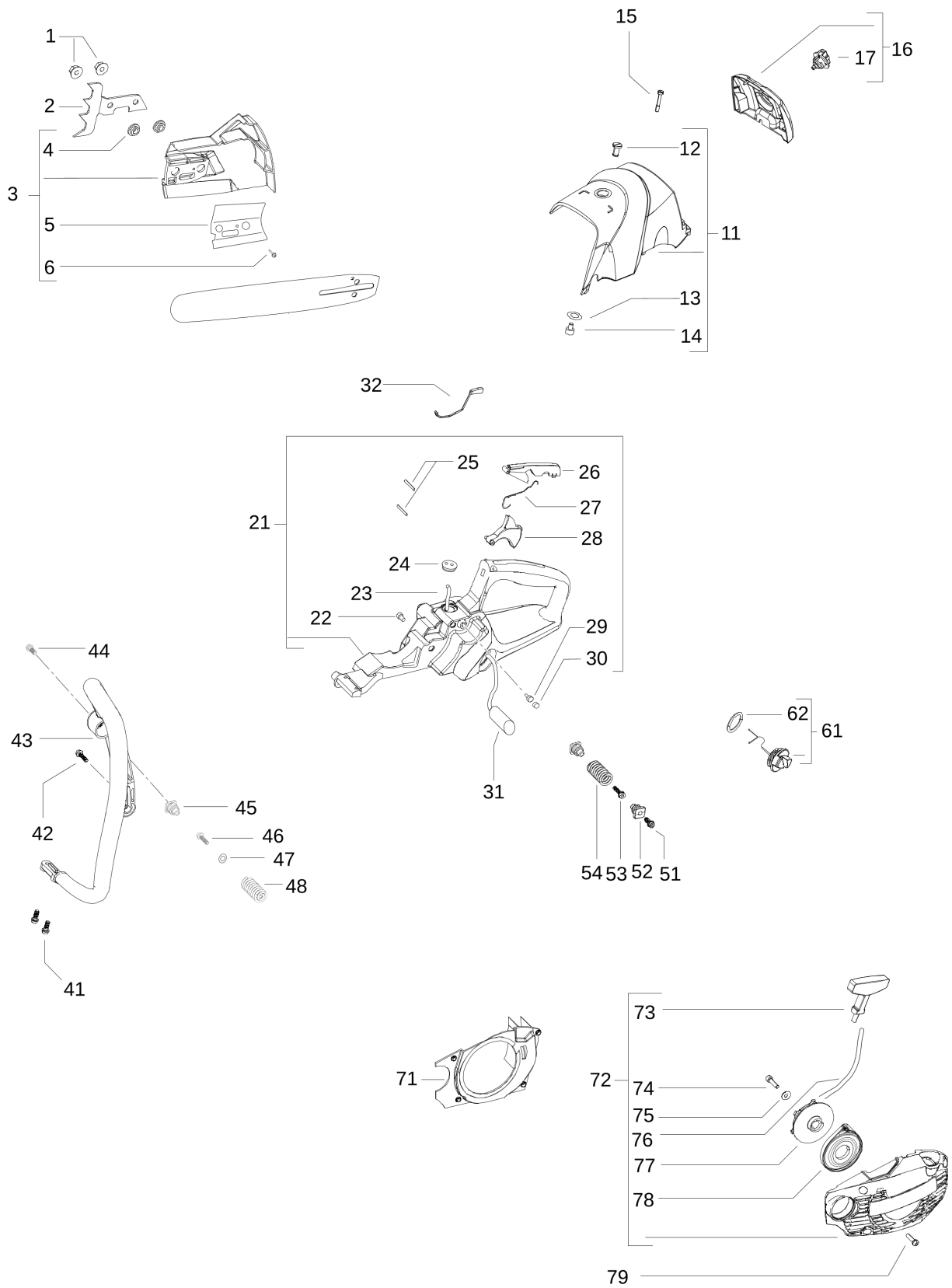
HUSQVARNA OUTDOOR PRODUCTS ITALIA

PNC	ML	Model	Brand
966566701	01	Mac 20X Power	McCulloch

Number of Pages 1 of 7

Factory:	IIQ - Valmadrera	Product Group:	OP 93
Publication Number:	MIPL2010_V220000001	Petrol Portable	
Publication Date:	30/05/10	Sub Group	9430

FIGURE 1



Item	PN	Qty	Description
FIGURE 1			
1	538227762	2	nut M8
C 2	538243964	1	spiked bumper
C 3	538243111	1	clutch cover assy
4	* 538241912	2	bushings
5	* 538240360	1	bar plate
6	* 538228554	1	screw
11	538243938	1	engine cover assy, black
12	* 503227001	1	screw
13	* 538236936	1	washer
14	* 538240272	1	grommet
15	* 538243903	2	screw
16	538243940	1	air filter cover, black
C 17	* 538243765	1	knob
C 21	538249707	1	rear handle assy
22	* 538243340	2	grommet
23	* 538240402	1	fuel hose
24	* 538235675	1	grommet
25	* 538243234	2	pin
C 26	* 538243100	1	safety lever
27	* 538243103	1	trigger spring
C 28	* 538243099	1	throttle trigger
29	* 538235658	1	valve
30	* 538235735	1	synterized
A 31	503443201	1	fuel filter
32	538243532	1	throttle lever
41	503218816	2	screw
42	503217520	2	screw
43	538243101	1	front handle
44	503218816	1	screw
C 45	538243133	1	screw support
46	538240845	1	screw
47	538235248	1	washer
48	538243339	1	upper spring
51	503218816	2	screw
C 52	538243885	4	screw support
53	503217432	2	screw
C 54	538243887	2	spring lower
61	538243137	2	fuel/oil cap assy
62	* 538235510	2	o-ring
C 71	538243105	1	air conveyor
B 72	538250159	1	starter assy, black
73	* 538235043	1	handle
74	* 538229791	1	screw
75	* 538227259	1	washer
A 76	* 505305125	1	rope
B 77	* 506016401	1	pulley

Item	PN	Qty	Description
B 78	* 501763101	1	spring
79	538243520	4	screw with washer

A = ALTA ROTAZIONE	A = HIGH MOVING	A = HAUTE DEMANDE	A = GROBE NACHFRAGE
B = MEDIA ROTAZIONE	B = MEDIUM MOVING	B = MOYENNE DEMANDE	B = MITTELMAESSIGE
C = BASSA ROTAZIONE	C = SLOW MOVING	C = BASSE DEMANDE	C = WENIGE NACHFRAGE
NUOVI CODICI	NEW PARTS	NOUVELLE REFERENCES	NEU CODEX

FIGURE 2

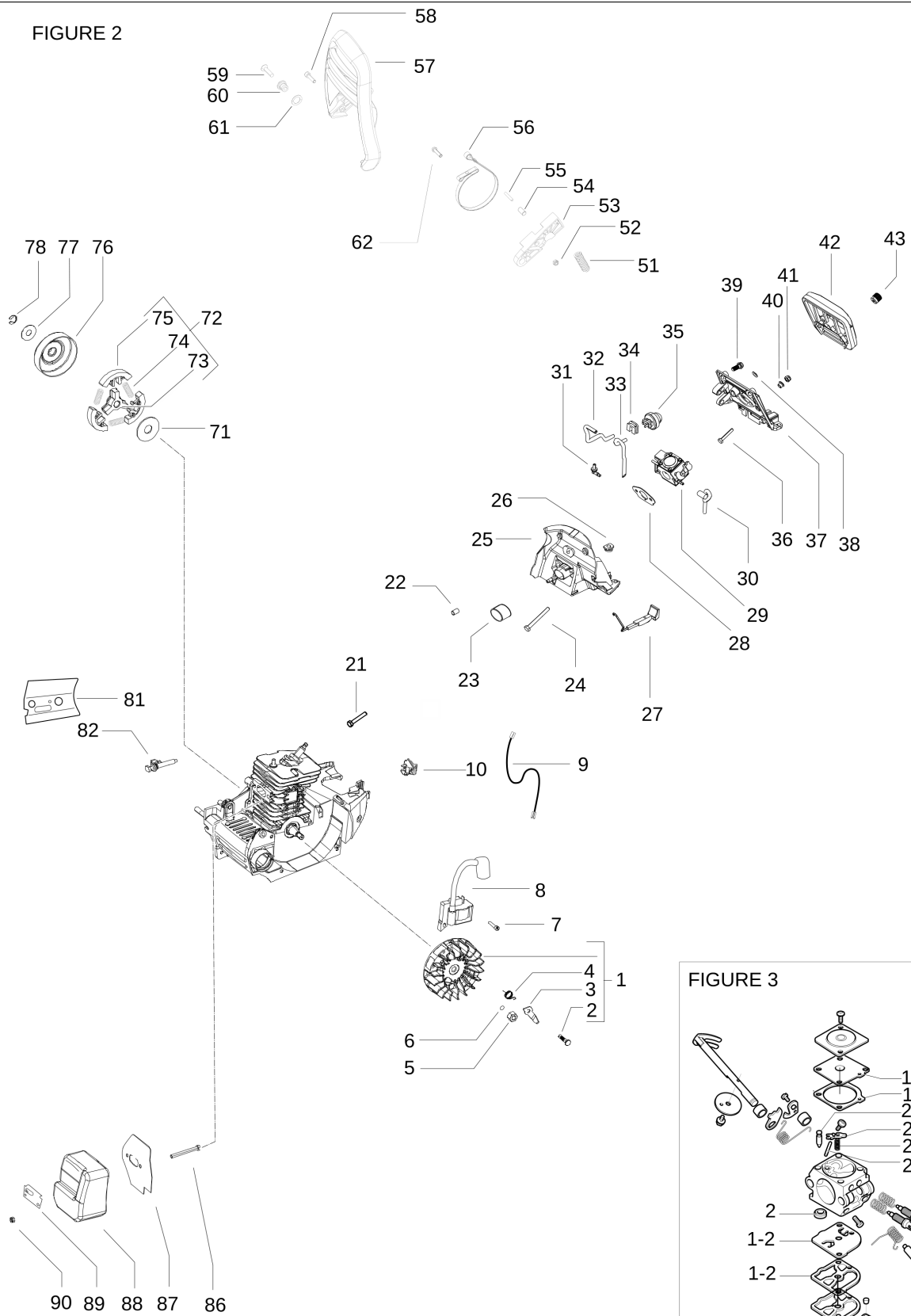
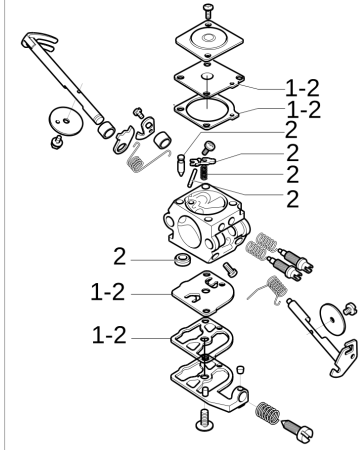


FIGURE 3



Item	PN	Qty	Description
FIGURE 2			
1	538243271	1	flywheel assy
2	* 538235516	2	pin
3	* 538243383	2	pawl
4	* 503783201	2	spring
5	503221011	1	nut
6	503230101	1	washer
7	503202520	2	screw
C	8	538242925	1 ignition coil
C	9	538243321	1 cable, ignition coil-switch
C	10	538243440	1 switch
	21	538240137	1 screw
B	22	505310751	1 hose
B	23	503161602	1 intake hose
	24	538243907	2 screw
C	25	538243142	1 carb spacer
	26	501527801	3 fairlead
	27	538243145	1 choke knob
A	28	503490701	1 carb. Gasket
B	29	—	1 FIGURE 3
	31	538227410	1 hose joint
	32	538243232	1 primer-carb hose
	33	538243233	1 primer-tank hose
	34	538242960	1 fairlead
B	35	538022424	1 primer
	36	538243908	2 screw
	37	538243899	1 air filter housing
	38	503222302	1 nut
	39	503218816	2 screw
	40	538227924	2 bushing
	41	538235642	2 nut
A	42	538227561	1 air filter
	43	538243917	2 knob
	51	538235076	1 brake spring
	52	538235642	2 nut M5
	53	538241902	1 brake housing
	54	538241903	1 brake needle
	55	538242017	1 band pivot
B	56	538235073	1 brake band
	57	538243092	1 brake lever
	58	538235806	2 screw M5x20
	59	538241905	1 screw M6x25
	60	538241904	1 sleeve
	61	538241906	1 washer
	62	538235812	1 screw
	71	538243338	1 washer
B	72	538242004	1 clutch assy

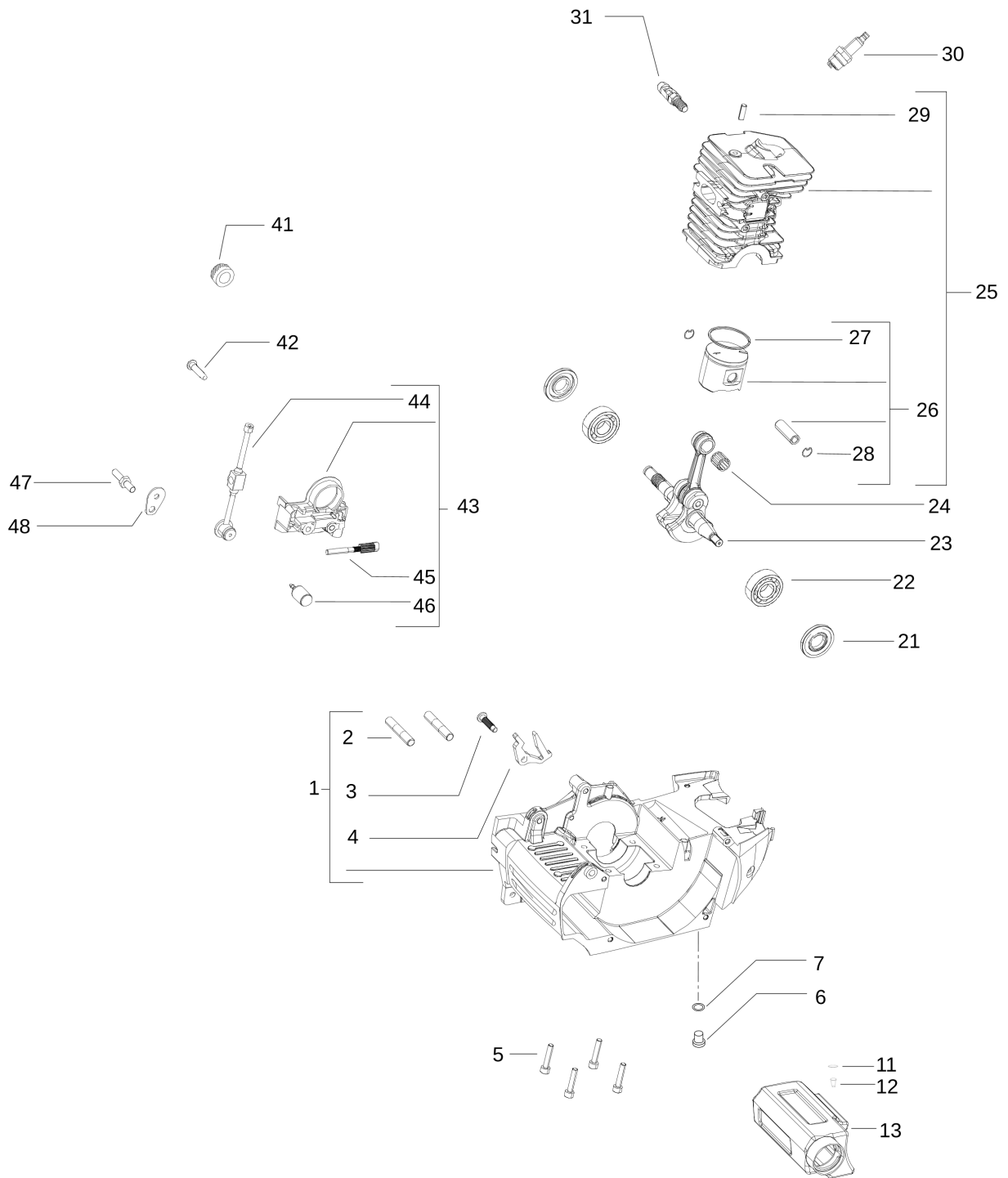
Item	PN	Qty	Description
C	73	* 538242005	1 clutch rotor
B	74	* 538240926	3 clutch spring
C	75	* 538227359	3 clutch shoe
B	76	538243223	1 clutch drum 7T (.325)
B		538240260	1 clutch drum 6T (3/8)
	77	538235287	1 washer
	78	538229137	1 seeger
	81	538240359	1 bar plate
B	82	537071201	1 chain tensioner
	86	503218201	2 screw
	87	503723701	1 exhaust gasket
	88	506011703	1 muffler
	89	* 503853301	1 muffler shield
	90	503222302	2 nut

FIGURE 3 — WALBRO WT738			
B	-	538243187	1 carburetor
	1	* 538229191	1 gasket kit
	2	* 538247260	1 repair kit

FIGURE 3 — ZAMA C1Q-M44			
B	-	-	carburetor
	1	503482101	1 gasket kit GND-33
	2	538249171	1 repair kit RB 45 Z

A = ALTA ROTAZIONE	A = HIGH MOVING	A = HAUTE DEMANDE	A = GROBE NACHFRAGE
B = MEDIA ROTAZIONE	B = MEDIUM MOVING	B = MOYENNE DEMANDE	B = MITTELMAESSIGE
C = BASSA ROTAZIONE	C = SLOW MOVING	C = BASSE DEMANDE	C = WENIGE NACHFRAGE
NUOVI CODICI	NEW PARTS	NOUVELLE REFERENCES	NEU CODEX

FIGURE 4



Item PN Qty Description

FIGURE 4

	1	538249708	1	crankcase kit
	2	* 538241881	2	bar bolt
	3	* 538235075	1	latch pivot
	4	* 538242367	1	brake latch
	5	538227565	4	screw
	6	538243340	1	grommet
	7	538236936	1	washer
C	11	538241717	1	felt
C	12	538235658	1	valve
	13	538243097	1	oil tank
B	21	538243174	2	seal
C	22	538227541	2	ball bearing
	23	538243172	1	crankshaft assy
	24	501451601	1	needle bearing
C		538249699	1	cylinder kit 49 cc
B		* 538249711	1	piston kit 49 cc
B		** 503289010	1	piston ring 49cc
B	28	** 737441000	2	snap ring
	29	* 538240319	1	bolt
A	30	538240010	1	spark plug RCJ7Y
	31	538094273	1	decompression valve
C	41	538243415	1	endless screw
	42	503202520	2	screw
A	43	538243098	1	oil pump assy
B	44	* 538243095	1	oil pump hose
C	45	* 538249719	1	oil pump piston kit
C	46	* 538225062	1	oil filter
	47	538240363	1	oil cap plate
C	48	538240309	1	chain catcher

A = ALTA ROTAZIONE	A = HIGH MOVING	A = HAUTE DEMANDE	A = GROBE NACHFRAGE
B = MEDIA ROTAZIONE	B = MEDIUM MOVING	B = MOYENNE DEMANDE	B = MITTELMAESSIGE
C = BASSA ROTAZIONE	C = SLOW MOVING	C = BASSE DEMANDE	C = WENIGE NACHFRAGE
NUOVI CODICI	NEW PARTS	NOUVELLE REFERENCES	NEU CODEX