



Illustrated Parts List

Model Series

12F800

TYPE NUMBERS
0600 through 3511.

TABLE OF CONTENTS

Alternator	8
Air Cleaner	4
Blower Housing/Shrouds	6
Camshaft	2
Carburetor	3
Controls	5
Crankshaft	2
Cylinder	2
Electric Starter	8
Electrical	8
Engine Sump	2
Exhaust System	4
Flywheel	7
Flywheel Brake	8
Fuel Supply	5
Governor Spring	5
Ignition	8
Lubrication	2
Kits/Gaskets	2 & 3
Piston Group	2
Rewind Starter	7
Valves	2



PRINTED IN U.S.A.

COPYRIGHT by BRIGGS & STRATTON CORPORATION
All rights reserved. No part of this material may be reproduced or transmitted, in any form or by any means, electronic or mechanical, including photocopying, recording or by any information storage and retrieval system, without permission in writing from Briggs & Stratton Corporation.

12F800

1319 WARNING LABEL



REQUIRED when replacing parts with warning labels affixed.

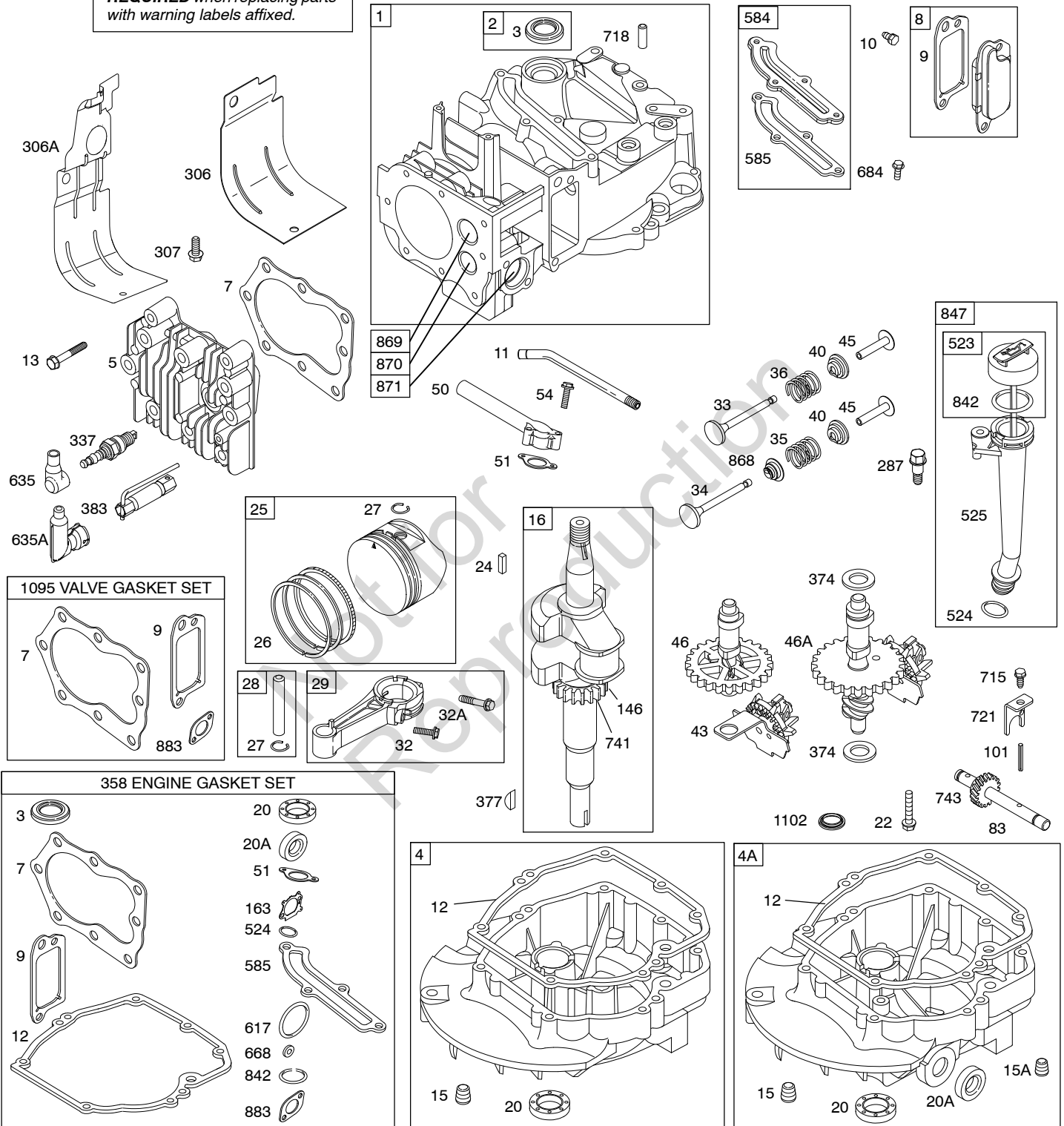
1058 OPERATOR'S MANUAL



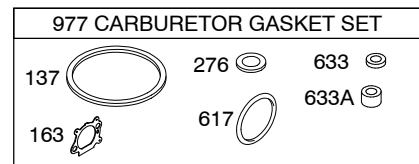
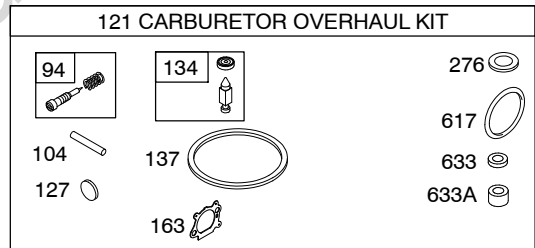
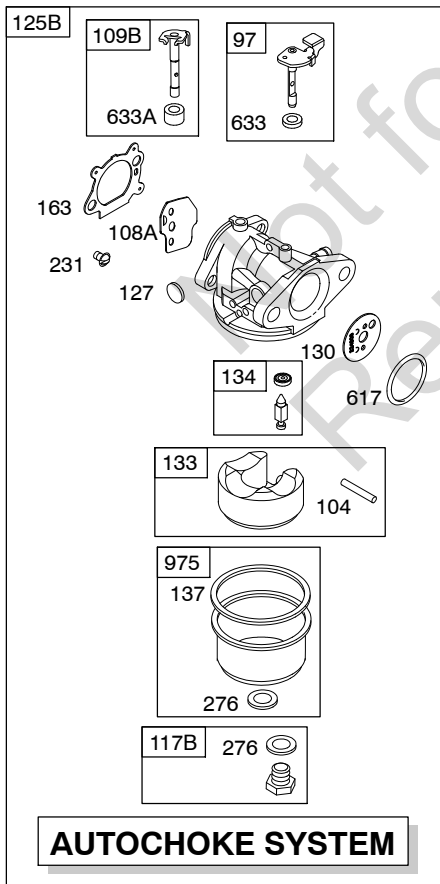
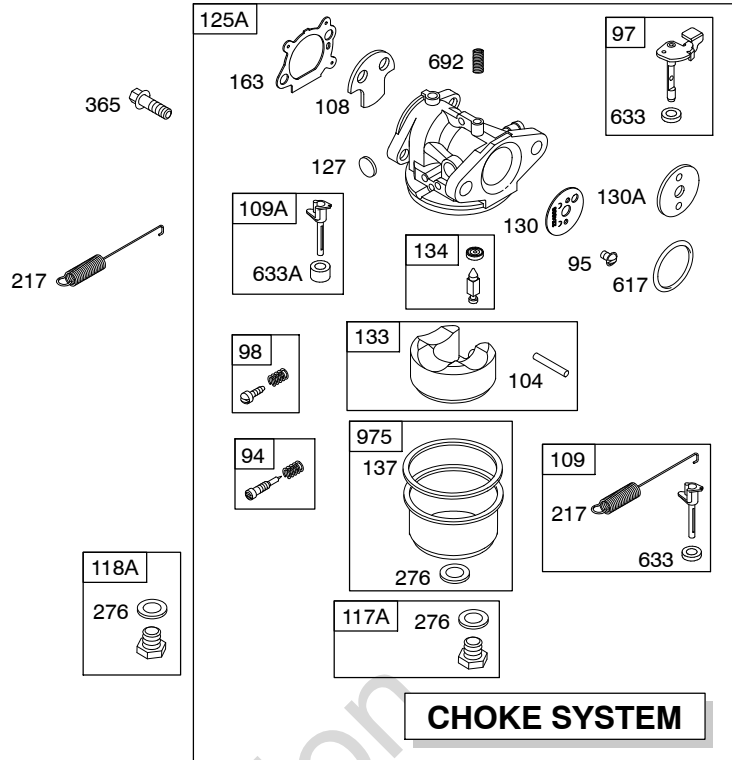
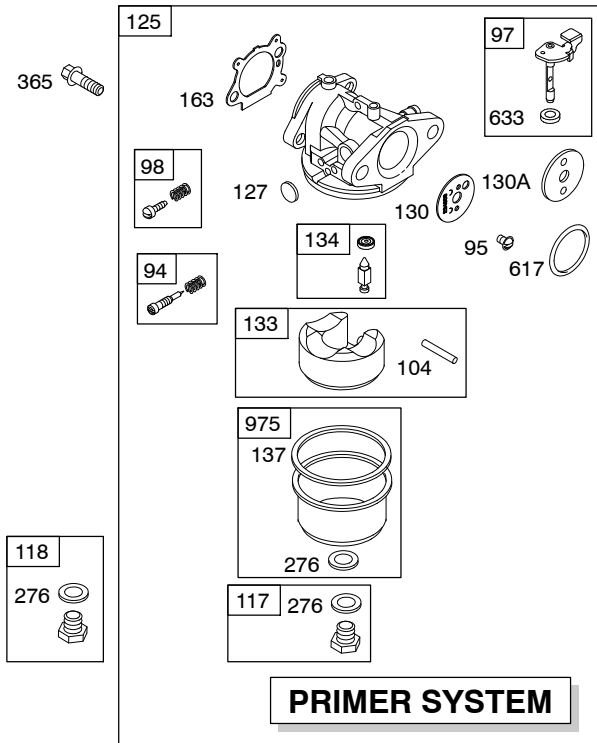
1330 REPAIR MANUAL



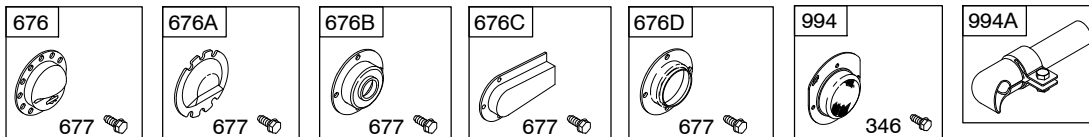
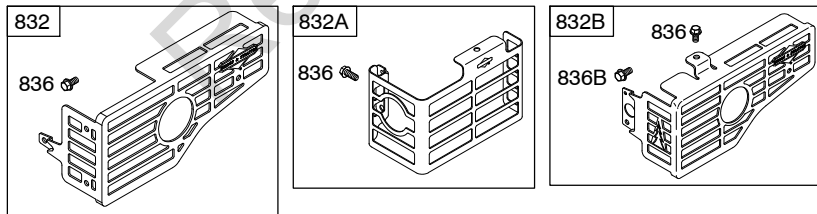
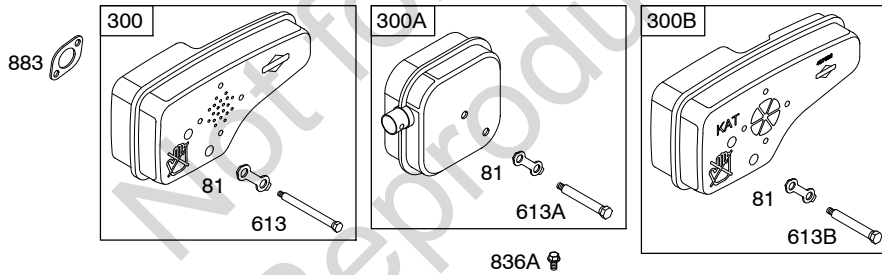
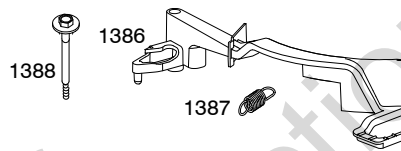
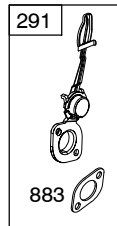
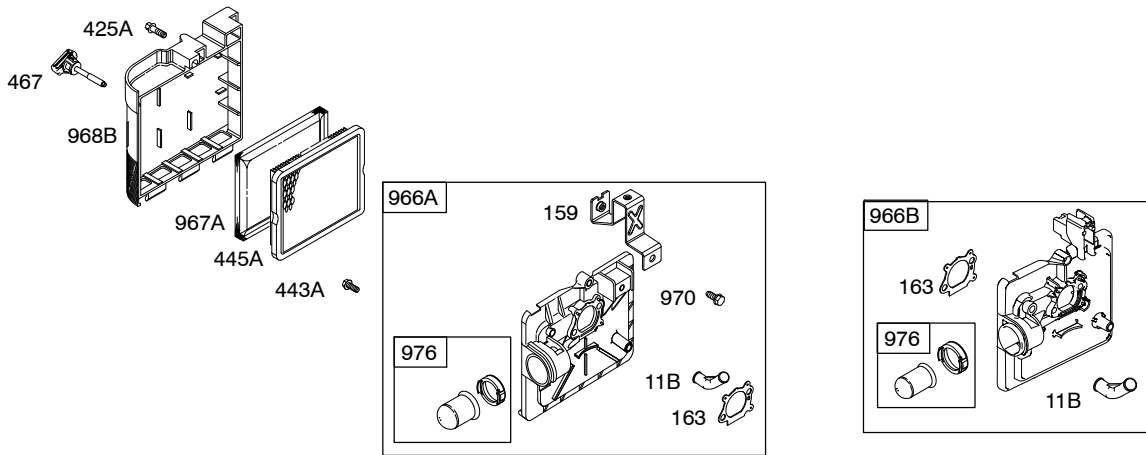
1019 LABEL KIT



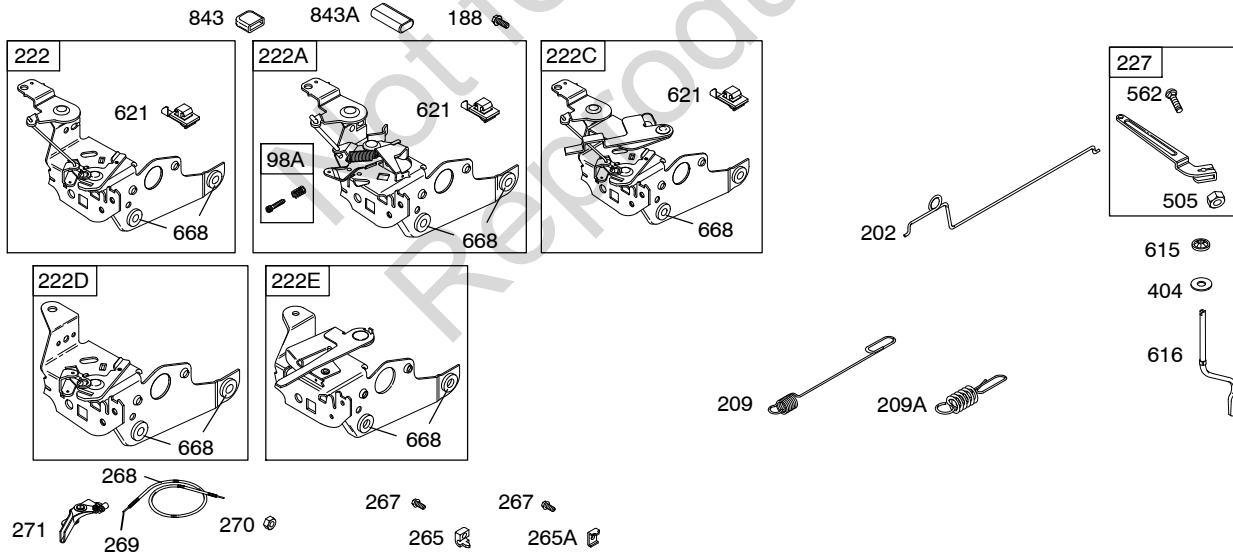
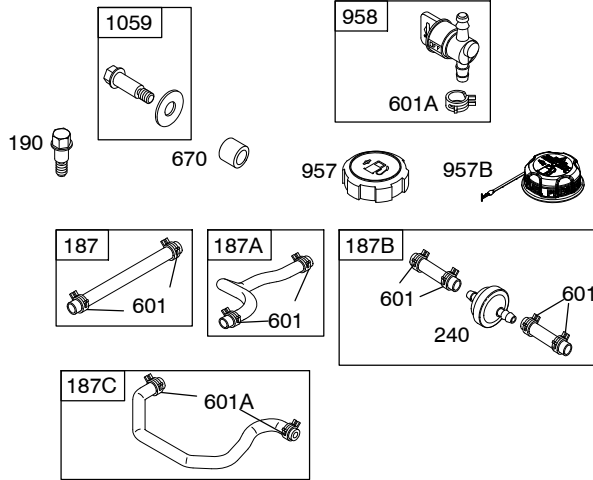
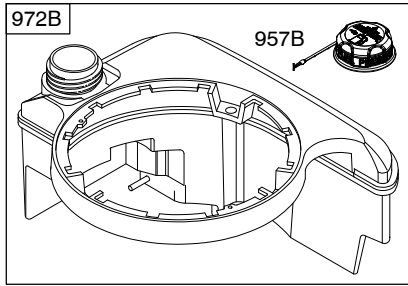
Illustrations cover a range of engines. Parts shown without corresponding text may not be used on your specific engine.
0517-2 Assemblies include all parts shown in frames. 11/22/2011



12F800

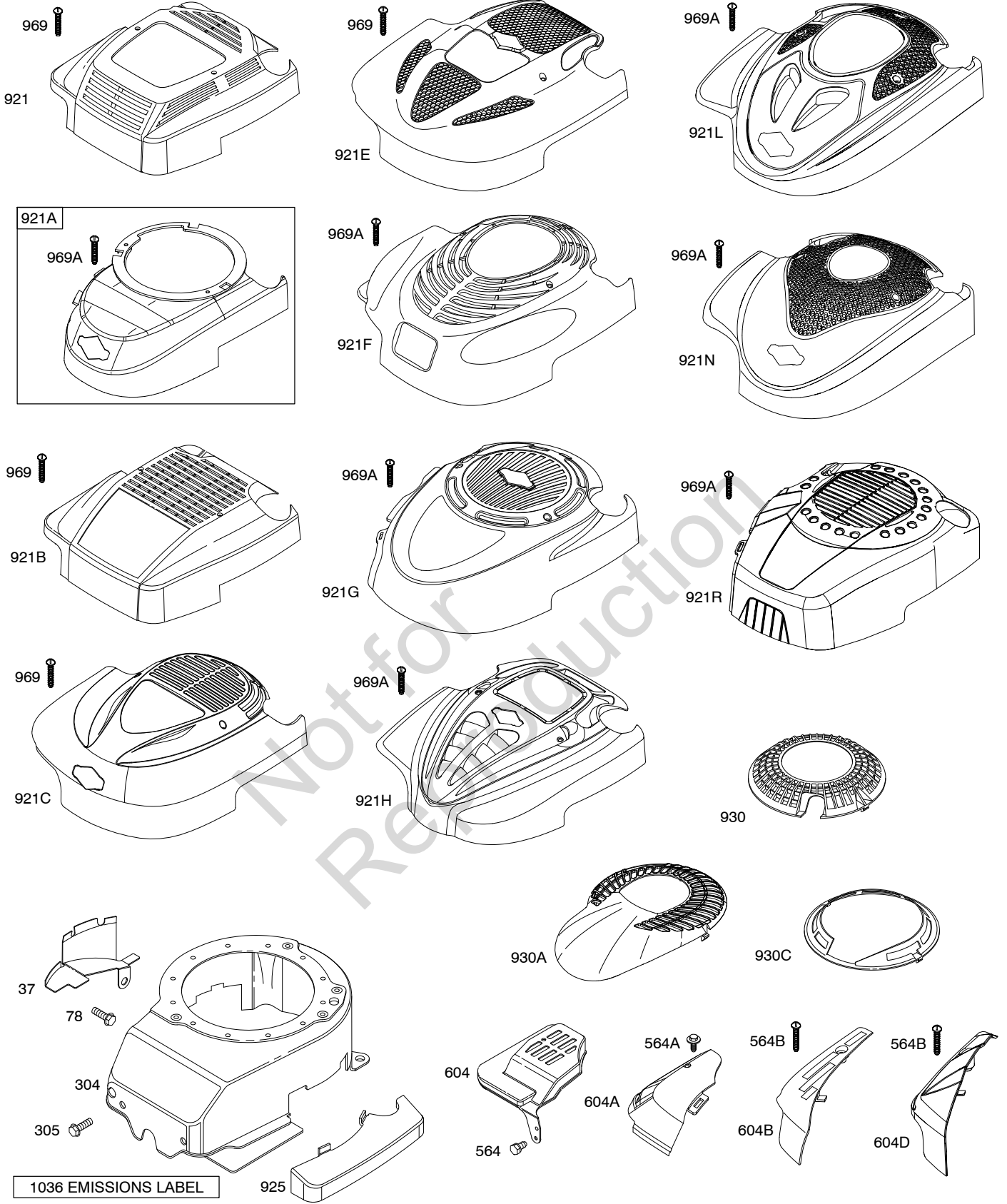


Illustrations cover a range of engines. Parts shown without corresponding text may not be used on your specific engine.
 0517-4 Assemblies include all parts shown in frames. 11/22/2011

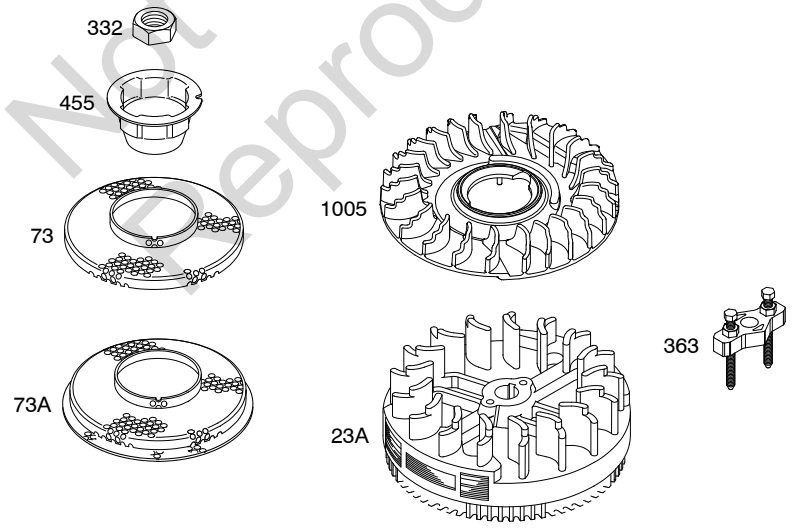
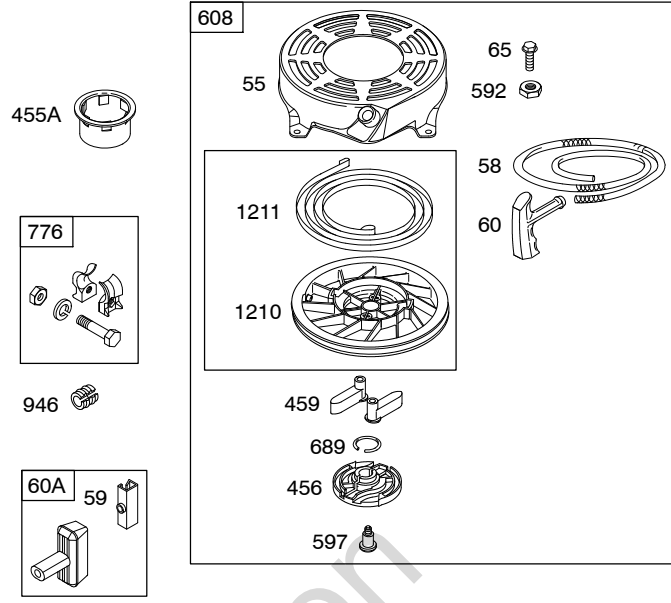
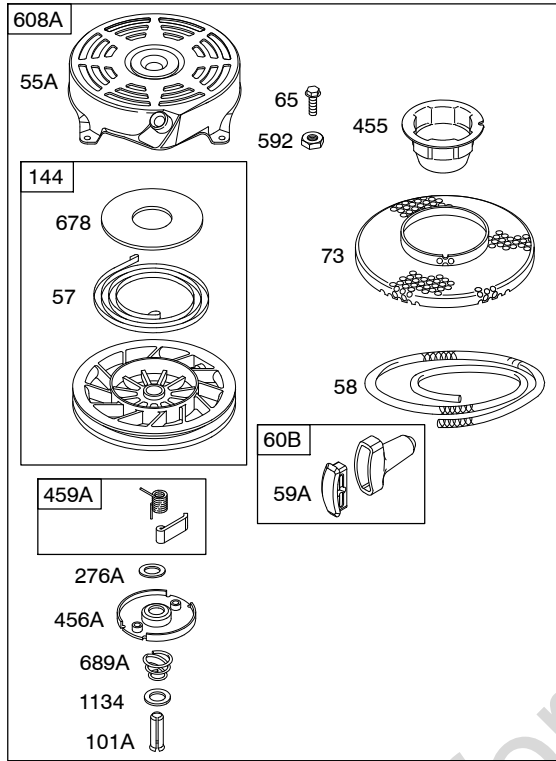


Illustrations cover a range of engines. Parts shown without corresponding text may not be used on your specific engine.
 0517-5 Assemblies include all parts shown in frames. 11/22/2011

12F800

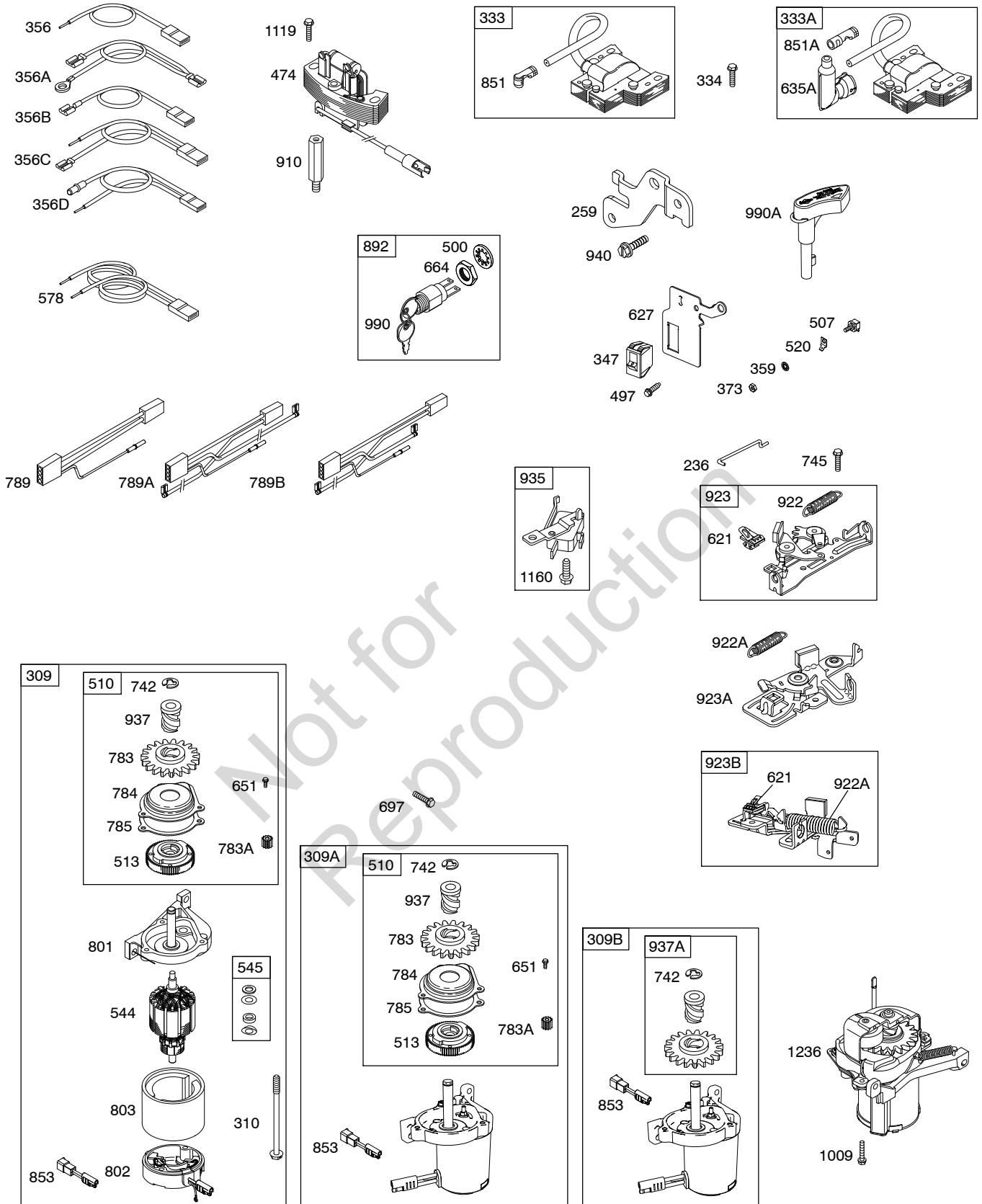


Illustrations cover a range of engines. Parts shown without corresponding text may not be used on your specific engine.
0517-6 Assemblies include all parts shown in frames. **11/22/2011**



0517-7 *Illustrations cover a range of engines. Parts shown without corresponding text may not be used on your specific engine.* Assemblies include all parts shown in frames. 11/22/2011

12F800



Illustrations cover a range of engines. Parts shown without corresponding text may not be used on your specific engine.
 0517-8 Assemblies include all parts shown in frames. 11/22/2011

REF. NO.	PART NO.	DESCRIPTION	REF. NO.	PART NO.	DESCRIPTION	REF. NO.	PART NO.	DESCRIPTION
1	590401	Cylinder Assembly (Used After Code Date 11063000). ----- Note ----- 697322 Cylinder Assembly (Used Before Code Date 11070100).	5	590411	Head-Cylinder (Used After Code Date 11063000). ----- Note ----- 691160 Head-Cylinder (Used Before Code Date 11070100).	9	★Ø699472	Gasket-Breather (Used After Code Date 11063000). ----- Note -----
2	399269	Kit-Bushing/Seal (Magneto Side)	7	★Ø799875	Gasket-Cylinder Head (Used After Code Date 11063000). ----- Note -----	10	94650	Screw (Breather Assembly)
3	★299819S	Seal-Oil (Magneto Side)			692249 Gasket-Cylinder Head (Used Before Code Date 11070100).	11	691781	Tube-Breather
4	493279	Sump-Engine ----- Note ----- 498983 Sump-Engine Used on Type No(s). 2026, 3116, 3134. 696294 Sump-Engine Used on Type No(s). 1717, 1718, 1925, 1958, 2027, 2038, 2044, 2046, 2327, 2329, 2611, 2612, 2613, 3186, 3322, 3324.	8	590395	Breather Assembly (Used After Code Date 11063000). ----- Note ----- 695250 Beather-Assembly (Used Before Code Date 11070100).	11B	691923	Tube-Breather
4A	493365	Sump-Engine (Auxiliary PTO) ----- Note ----- 699920 Sump-Engine (Auxiliary PTO) Used on Type No(s). 2007, 2685, 2687.				12	★692232	Gasket-Crankcase
						13	590422	Screw (Cylinder Head) (Used After Code Date 11063000). ----- Note -----
						15	691680	Plug-Oil Drain (Square Socket)
						15A	691093	Plug-Oil Drain (Hex Socket)

★ Included in Engine Gasket Set-Ref. No.358.

● Included in Carburetor Overhaul Kit-Ref. No. 121.

◆ Included in Carburetor Gasket Set-Ref. No. 977.

Ø Included in Valve Gasket Set-Ref. No 1095.

Illustrations cover a range of engines. Parts shown without corresponding text may not be used on your specific engine.

12F800

REF. NO.	PART NO.	DESCRIPTION	REF. NO.	PART NO.	DESCRIPTION	REF. NO.	PART NO.	DESCRIPTION
16	691451	Crankshaft (Used After Code Date 97011200). ----- Note ----- 694442 Crankshaft (Used Before Code Date 97011300). 691450 Crankshaft (Used After Code Date 97011200). Used on Type No(s). 0600,0808,0820,0833, 0835,0838,0840,0841, 0842,0852,0863,0876, 0884,0890,0906,1108, 1110,1147,1149,1154, 1159,1160,1162,1163, 1173,1174,1188,1191, 1201,1215,1220,1221, 1312,1508,1523,1524, 1557,1558,1560,1569, 1573,1700,1718,1719, 1720,1721,1722,1737, 1791,1908,1932,1946, 1947,1949,1950,1951, 1952,1961,1962,1965, 1968,1969,1970,1971, 1973,1974,1976,1985, 2006,2011,2021,2047, 2058,2059,2308,2310, 2373,2374,2608,2611, 2612,2613,2623,2624, 2625,2626,2627,2628, 2925,3112,3133,3180, 3185,3186,3187,3188. 694440 Crankshaft (Used Before Code Date 97011300). Used on Type No(s). 0600,0808,0820,0833, 0835,0838,0840,0841, 0842,0852,0863,0876, 0884,0890,0906,1108, 1110,1147,1149,1154, 1159,1160,1162,1163, 1173,1174,1188,1191, 1508,1523,1524,1557, 1558,1560,1569,1573, 1976. 692980 Crankshaft (Used After Code Date 97011200). Used on Type No(s). 0650,0667,1734,1735, 1750,1767.			694443 Crankshaft (Used Before Code Date 97011300). Used on Type No(s). 0650,0667,1750. 691452 Crankshaft (Used After Code Date 97011200). Used on Type No(s). 0639,0640,0653,0654, 0817,0823,0830,0844, 0845,0853,0859,0862, 0866,0868,0870,0874, 0879,0882,0883,0887, 0894,0905,0907,0908, 0911,0914,0915,0916, 0918,1145,1151,1152, 1157,1158,1166,1167, 1170,1171,1175,1178, 1181,1182,1183,1186, 1190,1193,1194,1198, 1199,1208,1209,1210, 1212,1310,1311,1318, 1319,1320,1327,1328, 1329,1360,1366,1376, 1377,1378,1520,1521, 1566,1571,1574,1717, 1733,1753,1754,1782, 1783,1785,1786,1792, 1793,1917,1927,1934, 1936,1937,1938,1941, 1943,1944,1945,1955, 1959,1966,1967,1982, 2003,2026,2027,2029, 2031,2032,2036,2049, 2050,2051,2052,2057, 2060,2327,2329,2355, 2356,2357,2366,2371, 2378,2379,2380,2399, 2402,2414,2671,2674, 2686,3105,3111,3119, 3120,3127,3131,3132, 3136,3165,3166,3168, 3177,3178,3200,3320, 3322,3323,3324,3325. 694059 Crankshaft (Used Before Code Date 97011300). Used on Type No(s). 0639,0640,0817,0823, 0830,0844,0845,0853, 0859,0862,0866,0868, 0870,0874,0879,0882, 0883,0887,0894,0907,			0908,1145,1151,1152, 1157,1158,1166,1167, 1170,1171,1175,1178, 1181,1182,1183,1186, 1190,1194,1310,1311, 1366,1376,1377,1520, 1521,1566,1571,1574. 691455 Crankshaft (Used After Code Date 97011200). Used on Type No(s). 0815,0877,0888,1189, 1192,1581,1914,1977, 2001,2017,2407,2411, 2409,2681,2682,2918. 691375 Crankshaft (Used Before Code Date 97011300). Used on Type No(s). 0815,0877,0888,1189, 1581. 691454 Crankshaft Used on Type No(s). 0857,0858,0860,0878, 0880,1164,1177,1948, 1978,1980,2004,2005, 2007,2037,2038,2044, 2045,2685,2687,3510, 3511. 692981 Crankshaft (Used After Code Date 97011200). Used on Type No(s). 1142. Used on Type No(s). 1142. 691482 Crankshaft Used on Type No(s). 3116, 3134. 694079 Crankshaft Used on Type No(s). 1769. 696009 Crankshaft Used on Type No(s). 1770,1901. 695242 Crankshaft Used on Type No(s). 1213, 1214, 2033. 694850 Crankshaft Used on Type No(s). 2406, 2413.

★ Included in Engine Gasket Set-Ref. No.358.

● Included in Carburetor Overhaul Kit-Ref. No. 121.

◆ Included in Carburetor Gasket Set-Ref. No. 977.

⊗ Included in Valve Gasket Set-Ref. No 1095.

Illustrations cover a range of engines. Parts shown without corresponding text may not be used on your specific engine.

REF. NO.	PART NO.	DESCRIPTION	REF. NO.	PART NO.	DESCRIPTION	REF. NO.	PART NO.	DESCRIPTION
20	★399781S	Seal-Oil (PTO Side)	25	590404	Piston Assembly (Standard) (Used After Code Date 11063000).		590405	Piston Assembly (.020" Oversize) (Used After Code Date 11063000).
20A	★691952	Seal-Oil (PTO Side) (Auxiliary PTO)			----- Note ----- 797302 Piston Assembly (Standard) (Used After Code Date 09041600 and Before Code Date 11070100).		797303	Piston Assembly (.020" Oversize) (Used After Code Date 09041600 and Before Code Date 11070100).
22	691092	Screw (Crankcase Cover/Sump)			795429 Piston Assembly (Standard) (Used After Code Date 07090300 and Before Code Date 09041700).		795430	Piston Assembly (.020" Oversize) (Used After Code Date 07090300 and Before Code Date 09041700).
23A	691987	Flywheel ----- Note ----- 691992 Flywheel Used on Type No(s). 0645, 0817, 0882, 0883, 0905, 1189, 1192, 1570, 1571, 1580, 1581, 1782, 1785, 1914, 1917, 1982, 2001, 2017, 2026, 2029, 2031, 2035, 2036, 2049, 2051, 2056, 2406, 2413, 2325, 2356, 2403, 2404, 2405, 2407, 2671, 2681, 2682, 3116, 3181, 3182. 696291 Flywheel Used on Type No(s). 1717, 1718, 1925, 1958, 2007, 2027, 2038, 2044, 2046, 2327, 2329, 2611, 2612, 2613, 2685, 2687, 3186, 3322, 3324.			791097 Piston Assembly (Used After Code Date 97011200 and Before Code Date 07090400). 493262 Piston Assembly (Standard) (Used Before Code Date 97011300).			791326 Piston Assembly (.020" Oversize) (Used After Code Date 97011200 and Before Code Date 07090400). 493386 Piston Assembly (.020" Oversize) (Used Before Code Date 97011300). 493387 Piston Assembly (.030" Oversize) (Used Before Code Date 97011300).

★ Included in Engine Gasket Set-Ref. No.358.
● Included in Carburetor Overhaul Kit-Ref. No. 121.

◆ Included in Carburetor Gasket Set-Ref. No. 977.
⊘ Included in Valve Gasket Set-Ref. No 1095.

Illustrations cover a range of engines. Parts shown without corresponding text may not be used on your specific engine.
0517-11 Assemblies include all parts shown in frames. 11/22/2011

12F800

REF. NO.	PART NO.	DESCRIPTION	REF. NO.	PART NO.	DESCRIPTION	REF. NO.	PART NO.	DESCRIPTION	
26	590402	Ring Set (Standard) (Used After Code Date 11063000). ----- Note ----- 797304 Ring Set (Standard) (Used After Code Date 09041600 and Before Code Date 11070100). 795431 Ring Set (Standard) (Used After Code Date 07090300 and Before Code Date 09041700). 791098 Ring Set (Standard) (Used After Code Date 04031400 and Before Code Date 07090400). 499425 Ring Set (Standard) (Used After Code Date 97011200 and Before Code Date 04031500). 493261 Ring Set (Standard) (Used Before Code Date 97011300).			590403 Ring Set (.020" Oversize) (Used After Code Date 11063000). 797305 Ring Set (.020" Oversize) (Used After Code Date 09041600 and Before Code Date 11070100). 795432 Ring Set (.020" Oversize) (Used After Code Date 07090300 and Before Code Date 09041700). 791324 Ring Set (.020" Oversize) (Used After Code Date 04102100 and Before Code Date 07090400). 499427 Ring Set (.020" Oversize) (Used After Code Date 97011200 and Before Code Date 04102200). 493389 Ring Set (.020" Oversize) (Used Before Code Date 97011300). 493390 Ring Set (.030" Oversize) (Used Before Code Date 97011300).				27 691588 Lock-Piston Pin (Used After Code Date 09041600). ----- Note ----- 691866 Lock-Piston Pin (Used After Code Date 97011200 and Before Code Date 09041700). 691588 Lock-Piston Pin (Used Before Code Date 97011300). 28 298909 Pin-Piston (Standard) (Used After Code Date 09041600). ----- Note ----- 499423 Pin-Piston (Standard) (Used After Code Date 97011200 and Before Code Date 09041700). 298909 Pin-Piston (Standard) (Used Before Code Date 97011300). 298908 Pin-Piston (.005" Oversize) (Used Before Code Date 97011300).

★ Included in Engine Gasket Set-Ref. No.358.

● Included in Carburetor Overhaul Kit-Ref. No. 121.

◆ Included in Carburetor Gasket Set-Ref. No. 977.

⊗ Included in Valve Gasket Set-Ref. No 1095.

Illustrations cover a range of engines. Parts shown without corresponding text may not be used on your specific engine.

REF. NO.	PART NO.	DESCRIPTION	REF. NO.	PART NO.	DESCRIPTION	REF. NO.	PART NO.	DESCRIPTION
29	797306	Rod-Connecting (Standard) (Used After Code Date 09041600). ----- Note ----- 499424 Rod- Connecting (Standard) (Used After Code Date 97011200 and Before Code Date 09041700). 490566 Rod- Connecting (Standard) (Used Before Code Date 97011300).	36	691270	Spring-Valve (Exhaust)	55	691421	Housing-Rewind Starter
32	691664	Screw (Connecting Rod)	37	694086	Guard-Flywheel	55A	492831	Housing-Rewind Starter
32A	695759	Screw (Connecting Rod) (Used After Code Date 00042200).	40	692194	Retainer-Valve	57	491889	Spring-Rewind Starter
33	590394	Valve-Exhaust (Used After Code Date 11063000). ----- Note ----- 260651S Valve- Exhaust (Used Before Code Date 11070100).	43	691997	Slinger-Governor/Oil ----- Note ----- 691486 Slinger- Governor/Oil Used on Type No(s). 3116.	58	280399S	Rope-Starter (Cut To Required Length) ----- Note ----- 791362 Rope-Starter Used on Type No(s). 1968.
34	590393	Valve-Intake (Used After Code Date 11063000). ----- Note ----- 262652S Valve-Intake (Used Before Code Date 11070100).	45	690548	Tappet-Valve	59	692594	Insert-Grip
35	691270	Spring-Valve (Intake)	46	691449	Camshaft (Used After Code Date 96060200). ----- Note ----- 492830 Camshaft (Used Before Code Date 96060300).	59A	396892	Insert-Grip
			46A	691459	Camshaft (Counterclockwise) (Used After Code Date 96060200). ----- Note ----- 691460 Camshaft (Clockwise) (Used After Code Date 96060200). Used on Type No(s). 0860, 2950. 493740 Camshaft (Clockwise) (Used Before Code Date 96060300). Used on Type No(s). 0860, 2950.	60	281434S	Grip-Starter Rope (One Piece)
			50	497465	Manifold-Intake	60A	494212	Grip-Starter Rope (Two Piece)
			51	★272199S	Gasket-Intake	60B	393152	Grip-Starter Rope
			54	691650	Screw (Intake Manifold)	60C	799716	Grip-Starter Rope
						65	690837	Screw (Rewind Starter)
						73	691222	Screen-Rotating
						73A	224527	Screen-Rotating
						78	691108	Screw (Flywheel Guard)
						81	691740	Lock-Muffler Screw
						83	691778	Shaft-Auxiliary Drive ----- Note ----- 690522 Shaft- Auxiliary Drive Used on Type No(s). 1170, 2950, 2951. 690527 Shaft- Auxiliary Drive Used on Type No(s). 1141, 1172, 1516.

★ Included in Engine Gasket Set-Ref. No.358.

● Included in Carburetor Overhaul Kit-Ref. No. 121.

◆ Included in Carburetor Gasket Set-Ref. No. 977.

⊘ Included in Valve Gasket Set-Ref. No 1095.

Illustrations cover a range of engines. Parts shown without corresponding text may not be used on your specific engine.

12F800

REF. NO.	PART NO.	DESCRIPTION	REF. NO.	PART NO.	DESCRIPTION	REF. NO.	PART NO.	DESCRIPTION
94	●493765	Kit-Idle Mixture	117	494870	Jet-Main (Standard)	118	498975	Jet-Main (High Altitude)
95	691636	Screw (Throttle Valve)			(Used After Code Date 96060200).			(Used After Code Date 96060200).
97	493267	Shaft-Throttle (Metal)			----- Note -----			----- Note -----
		----- Note -----			497466 Jet-Main (Standard)			496495 Jet-Main (High Altitude)
		696565 Shaft-Throttle (Plastic)			(Used After Code Date 95102900 and Before Code Date 96060300).			(Used After Code Date 95102900 and Before Code Date 96060300).
98	398185	Kit-Idle Speed (Carburetor)			497315 Jet-Main (Standard)			497348 Jet-Main (High Altitude)
98A	493280	Kit-Idle Speed (Control Bracket)			(Used Before Code Date 95103000).			(Used Before Code Date 95103000).
101	691623	Pin-Shaft						
101A	262626	Pin-Shaft						
104	●691242	Pin-Float Hinge	117A	498977	Jet-Main (Standard)	118A	498981	Jet-Main (High Altitude)
108	691182	Valve-Choke			(Used After Code Date 96060200).			(Used After Code Date 96060200).
108A	795935	Valve-Choke (Used After Code Date 08031200).			----- Note -----			----- Note -----
		----- Note -----			493637 Jet-Main (Standard)			496063 Jet-Main (High Altitude)
		790844 Valve-Choke (Used Before Code Date 08031300).			(Used Before Code Date 96060300).			(Used Before Code Date 96060300).
109	494218	Shaft-Choke			498978 Jet-Main (Standard)			498975 Jet-Main (High Altitude)
109A	498593	Shaft-Choke Used on Type No(s). 1910, 1914, 2001, 2017, 2026, 2403, 2404, 2405, 2406, 2407, 2413, 2681, 2682, 3116, 3134.			Used on Type No(s). 1910, 1914, 2017, 2026, 2403, 2404, 2405, 2407, 2681, 2682, 3116, 3134.			Used on Type No(s). 1910, 1914, 2017, 2026, 2403, 2404, 2405, 2407, 2681, 2682, 3116, 3134.
					498981 Jet-Main (Standard)			494870 Jet-Main (High Altitude)
109B	795936	Shaft-Choke (Used After Code Date 08031200).			Used on Type No(s). 1726, 1727, 1737, 1787, 1788, 1789, 1928, 1929, 1930, 2001, 2054, 2055, 2056, 2406, 2413.			Used on Type No(s). 1726, 1727, 1737, 1787, 1788, 1789, 1928, 1929, 1930, 2001, 2054, 2055, 2056, 2406, 2413.
		----- Note -----						
		790843 Shaft-Choke (Used Before Code Date 08031300).	117B	697355	Jet-Main (Standard)	118B	692677	Jet-Main (High Altitude)

★ Included in Engine Gasket Set-Ref. No.358.
● Included in Carburetor Overhaul Kit-Ref. No. 121.

◆ Included in Carburetor Gasket Set-Ref. No. 977.
⊘ Included in Valve Gasket Set-Ref. No 1095.

Illustrations cover a range of engines. Parts shown without corresponding text may not be used on your specific engine.
0517-14 Assemblies include all parts shown in frames. 11/22/2011

REF. NO.	PART NO.	DESCRIPTION	REF. NO.	PART NO.	DESCRIPTION	REF. NO.	PART NO.	DESCRIPTION
121	498260	Kit-Carburetor Overhaul	127	●694468	Plug-Welch	187	791766	Line-Fuel (Cut to Required Length)
125	498170	Carburetor (Used After Code Date 96060200).	130	696564	Valve-Throttle			----- Note -----
		----- Note -----			691203 Valve-Throttle			----- Note -----
		498254 Carburetor (Used Before Code Date 96060300).			Used on Type No(s). 1910, 1914, 2017, 2026, 2403, 2404, 2405, 2407, 2681, 2682, 3116.			791745 Line-Fuel (Cut to Required Length)
		790821 Carburetor Used on Type No(s). 1931.	130A	691181	Valve-Throttle			Used on Type No(s). 0853, 1718, 2612, 2613.
125A	498965	Carburetor (Used After Code Date 96060200).	133	398187	Float-Carburetor	187A	791873	Line-Fuel (Molded)
		----- Note -----	137	●796610	Gasket-Float Bowl (1/8" Thick)	187B	791891	Line-Fuel (Includes Filter)
		494217 Carburetor (Used Before Code Date 96060300).			----- Note -----	187C	791875	Line-Fuel (Molded)
		499059 Carburetor Used on Type No(s). 1910, 1914, 2017, 2026, 2403, 2404, 2405, 2407, 2681, 2682, 3116, 3134.			693981 Gasket-Float Bowl (1/16" Thick)			----- Note -----
		790978 Carburetor Used on Type No(s). 1726, 1727, 1737, 1787, 1788, 1789, 1928, 1929, 1930, 2054, 2055, 2056, .	134	●398188	Kit-Needle/Seat			791870 Line-Fuel (Molded)
		792253 Carburetor Used on Type No(s). 2001, 2406, 2413.	144	493824	Pulley/Spring Assembly			(Used After Code Date 05063000).
125B	790845	Carburetor	146	690979	Key-Timing			Used on Type No(s). 0853, 1718, 2612, 2613.
			159	691753	Bracket-Air Cleaner Primer			698164 Line-Fuel (Molded)
			163	●272653	Gasket-Air Cleaner			(Used Before Code Date 05070100).
								Used on Type No(s). 0853, 1718, 2612, 2613.
						188	690877	Screw (Control Bracket)
						190	690940	Screw (Fuel Tank)
						202	691829	Link-Mechanical Governor

★ Included in Engine Gasket Set-Ref. No.358.
 ● Included in Carburetor Overhaul Kit-Ref. No. 121.

◆ Included in Carburetor Gasket Set-Ref. No. 977.
 ∅ Included in Valve Gasket Set-Ref. No 1095.

Illustrations cover a range of engines. Parts shown without corresponding text may not be used on your specific engine.

12F800

REF. NO.	PART NO.	DESCRIPTION	REF. NO.	PART NO.	DESCRIPTION	REF. NO.	PART NO.	DESCRIPTION
209	691292	Spring-Governor ----- Note ----- 691851 Spring-Governor Used on Type No(s). 0820, 0838, 0842, 0843, 0847, 0875, 0876, 0906, 0910, 0919, 1147, 1160, 1175, 1187, 1191, 1312, 1317, 1328, 1379, 1520, 1559, 1560, 1562, 1568, 1573, 1729, 1781, 1911, 1912, 1918, 1925, 1940, 1956, 1969, 1975, 1976, 2001, 2006, 2010, 2011, 2013, 2021, 2043, 2048, 2310, 2373, 2374, 2403, 2404, 2405, 2406, 2413, 3112, 3117, 3118, 3120, 3179, 3180, 3183, 3184, 3185, 3186, 3188. 691290 Spring-Governor Used on Type No(s). 1910, 1914, 2026. 691291 Spring-Governor Used on Type No(s). 0848, 0878, 0880, 0890, 1189, 1733, 1948, 1978, 1980. 691852 Spring-Governor Used on Type No(s). 1210, 1212, 1380, 1381, 1770, 1790, 1792, 1901, 1923, 1924, 1927, 1941, 1944, 1955, 1967, 1970, 1986, 1987, 2004, 2005, 2007, 2046, 2060, 2329, 2357, 2375, 2376, 2377, 2378, 2379, 2614, 2687, 3128, 3130, 3135, 3168, 3181.			699056 Spring-Governor Used on Type No(s). 0600, 0610, 0625, 0630, 0632, 0639, 0640, 0808, 0817, 0821, 0823, 0826, 0829, 0836, 0839, 0853, 0883, 0899, 0909, 1108, 1119, 1128, 1141, 1145, 1148, 1152, 1153, 1156, 1172, 1199, 1313, 1315, 1329, 1508, 1516, 1521, 1574, 1700, 1725, 1730, 1732, 1782, 1908, 1915, 1917, 1943, 1968, 1999, 2003, 2008, 2009, 2022, 2051, 2052, 2062, 2308, 2319, 2353, 2409, 2608, 2674, 2684, 2686, 3113, 3115, 3187. 690241 Spring-Governor Used on Type No(s). 3116, 3134. 693187 Spring-Governor Used on Type No(s). 2681, 2682, 2407.	209A	691835	Spring-Governor ----- Note ----- 690568 Spring-Governor Used on Type No(s). 1192. 691275 Spring-Governor Used on Type No(s). 0833, 0835, 1110, 1173, 1174, 1581. 691833 Spring-Governor Used on Type No(s). 0837, 0841, 0869, 1176. 691834 Spring-Governor Used on Type No(s). 0822, 1188, 1201, 1215. 690569 Spring-Governor Used on Type No(s). 0637, 0638, 0645, 0818, 0819, 0918, 1159, 1210, 1212, 1213, 1214, 1220, 1221, 1327, 1941, 1944, 2329, 2357, 2377, 2378, 3168. 691276 Spring-Governor Used on Type No(s). 0892, 0917. 262663 Spring-Governor Used on Type No(s). 0642, 0644, 0911, 2056, . 791157 Spring-Governor Used on Type No(s). 1726, 1727, 1737, 1787, 1788, 1789, 1928, 1929, 1930, 2054, 2055.

★ Included in Engine Gasket Set-Ref. No.358.

● Included in Carburetor Overhaul Kit-Ref. No. 121.

◆ Included in Carburetor Gasket Set-Ref. No. 977.

⊗ Included in Valve Gasket Set-Ref. No 1095.

Illustrations cover a range of engines. Parts shown without corresponding text may not be used on your specific engine.

REF. NO.	PART NO.	DESCRIPTION	REF. NO.	PART NO.	DESCRIPTION	REF. NO.	PART NO.	DESCRIPTION
217	690354	Spring-Choke Return	227	690783	Lever-Governor Control	270	691027	Nut (Control Wire Casing)
222	790143	Bracket-Control (Remote/Manual Friction)(Primer)	231	691636	Screw (Choke Valve)	271	691028	Lever-Control
222A	692021	Bracket-Control (Remote Choke A Matic, Non Compliance)	236	691826	Link-Lockout	276	•♦271716	Washer-Sealing
		----- Note -----	240	298090S	Filter-Fuel	276A	280973	Washer-Sealing (Pawl Friction Plate)
		790982 Bracket-Control	259	691223	Bracket-Casing Clamp	287	690940	Screw (Dipstick Tube)
		Used on Type No(s). 1726, 1727, 1737, 1787, 1788, 1928, 1929, 1930, 2054, 2055.	265	690798	Clamp-Casing	291	790830	Thermostat
			265A	691024	Clamp-Casing	300	496106S	Muffler (Tuned)
			267	691044	Screw (Casing Clamp)			----- Note -----
			268	691025	Casing-Control Wire (Cut to Required Length)			790828 Muffler
			269	691026	Wire-Control (Cut to Required Length)			Used on Type No(s). 1970, 2047, 2058, 2059.
222C	692150	Bracket-Control (Remote/Manual Friction) (Variable Speed and 5 Position Manual Choke)				300A	494343S	Muffler (Square Lo Tone)
222D	692467	Bracket-Control (Remote/Manual Friction) (Variable Speed and 5 Position Manual Choke, Without Stopswitch)				300B	497681	Muffler (Catalyst)
		----- Note -----						
		791128 Bracket-Control						
		Used on Type No(s). 1901, 1904, 1965, 1969, 1971, 1973.						
222E	692982	Bracket-Control (Fixed Speed and 5 Position Manual Choke)						

★ Included in Engine Gasket Set-Ref. No.358.

● Included in Carburetor Overhaul Kit-Ref. No. 121.

◆ Included in Carburetor Gasket Set-Ref. No. 977.

⊘ Included in Valve Gasket Set-Ref. No 1095.

Illustrations cover a range of engines. Parts shown without corresponding text may not be used on your specific engine.

12F800

REF. NO.	PART NO.	DESCRIPTION	REF. NO.	PART NO.	DESCRIPTION	REF. NO.	PART NO.	DESCRIPTION	
304	493293	Housing-Blower ----- Note ----- 493294 Housing-Blower Used on Type No(s). 0645, 0653, 0817, 0837, 0841, 0842, 0843, 0847, 0859, 0862, 0869, 0875, 0879, 0882, 0883, 0905, 0906, 0908, 0910, 0917, 0919, 1160, 1161, 1162, 1167, 1175, 1176, 1177, 1178, 1181, 1182, 1186, 1187, 1189, 1191, 1192, 1198, 1199, 1312, 1314, 1328, 1329, 1360, 1379, 1524, 1558, 1559, 1560, 1562, 1568, 1570, 1571, 1573, 1580, 1581, 1720, 1729, 1733, 1781, 1782, 1785, 1910, 1914, 1917, 1918, 1940, 1943, 1956, 1975, 1982, 2001, 2003, 2006, 2010, 2013, 2017, 2023, 2026, 2029, 2031, 2032, 2035, 2036, 2043, 2048, 2049, 2051, 2052, 2062, 2325, 2356, 2403, 2404, 2405, 2406, 2413, 2407, 2624, 2625, 2627, 2671, 2681, 2682, 2686, 3110, 3112, 3116, 3117, 3120, 3129, 3134, 3179, 3180, 3181, 3182, 3184.			695892 Housing-Blower Used on Type No(s). 1220, 1221, 1721, 1722, 1723, 1737, 1788, 1904, 1931, 1932, 1946, 1947, 1949, 1952, 1960, 1961, 1962, 1963, 1965, 1968, 1969, 1971, 1973, 1974, 2041, 2411, 2628, 3135, 3136. 696298 Housing-Blower Used on Type No(s). 1717, 1718, 1925, 1958, 2027, 2038, 2044, 2046, 2327, 2329, 2611, 2612, 2613, 2685, 2687, 3186, 3322, 3324. 791291 Housing-Blower Used on Type No(s). 2047. 790983 Housing-Blower Used on Type No(s). 2058. 790826 Housing-Blower Used on Type No(s). 1970, 2059. 695892 Housing-Blower (Used After Code Date 06081300). Used on Type No(s). 1734, 1959, 1987, 2045, 2055, 2057, 2060, 2380. 493293 Housing-Blower (Used Before Code Date 06081400). Used on Type No(s). 1734, 1959, 1987, 2045, 2055, 2057, 2060, 2380.				305 691108 Screw (Blower Housing) 306 690450 Shield-Cylinder 306A 790836 Shield-Cylinder 307 690345 Screw (Cylinder Shield) 309 695550 Motor-Starter (Used Before Code Date 07052900). 309A 795092 Motor-Starter (Used After Code Date 07052800 and Before Code Date 10112800). 309B 799045 Motor-Starter (Used After Code Date 10112700). 310 692327 Bolt (Starter Motor) 332 690662 Nut (Flywheel)

★ Included in Engine Gasket Set-Ref. No.358.

● Included in Carburetor Overhaul Kit-Ref. No. 121.

◆ Included in Carburetor Gasket Set-Ref. No. 977.

⊗ Included in Valve Gasket Set-Ref. No 1095.

Illustrations cover a range of engines. Parts shown without corresponding text may not be used on your specific engine.

REF. NO.	PART NO.	DESCRIPTION	REF. NO.	PART NO.	DESCRIPTION	REF. NO.	PART NO.	DESCRIPTION
333	802574	Armature-Magneto ----- Note ----- 790817 Armature-Magneto Used on Type No(s). 1931, 2062.	337	799876	Plug-Spark (Used After Code Date 11063000). ----- Note ----- 802592S Plug-Spark (Resistor) (Used Before Code Date 11070100). 697451 Plug-Spark (EMS) (Used Before Code Date 11070100).	377	692193	Key-Woodruff
333A	792640	Armature-Magneto (Screw On Spark Plug Boot) ----- Note ----- 793353 Armature-Magneto (Snap In Spark Plug Boot) 792631 Armature-Magneto (Screw On Spark Plug Boot) Used on Type No(s). 1931. 793354 Armature-Magneto (Snap In Spark Plug Boot) Used on Type No(s). 1931.	346	690661	Screw (Spark Arrestor)	383	89838S	Wrench-Spark Plug
			347	691396	Switch-Rocker	404	690272	Washer (Governor Crank)
			356	692390	Wire-Stop	425A	690670	Screw (Air Cleaner Cover)
			356A	690650	Wire-Stop	443A	692523	Screw (Air Cleaner Primer Base)
			356B	693010	Wire-Stop	445A	491588S	Filter-Air Cleaner Cartridge
			356C	690808	Wire-Stop	455	791960	Cup-Flywheel
			356D	496381	Wire-Stop	456	692299	Plate-Pawl Friction
			358	590508	Gasket Set-Engine (Used After Code Date 11063000). ----- Note ----- 794307 Gasket Set-Engine (Used Before Code Date 11070100).	456A	224321	Plate-Pawl Friction
334	691061	Screw (Magneto Armature)	359	691077	Washer (Ground Terminal)	459	281505S	Pawl-Ratchet
			363	19069	Pulley-Flywheel	459A	492833	Pawl-Ratchet
			365	691688	Screw (Carburetor)	467	790842	Knob-Air Cleaner
			373	691612	Nut (Ground Terminal)	474	691991	Alternator
			374	691074	Washer (Camshaft)	497	690664	Screw (Stopswitch Bracket)
						500	691086	Washer (Key Switch)
						505	691251	Nut (Governor Control Lever)
						507	691972	Insulator
						510	795093	Drive-Starter
						513	692358	Clutch-Drive
						520	691084	Terminal-Ground
						523	499621	Dipstick
						524	★692296	Seal-Dipstick Tube
						525	495265	Tube-Dipstick
						544	690786	Armature-Starter
						545	492919	Washer Set (Starter Motor)

★ Included in Engine Gasket Set-Ref. No.358.

● Included in Carburetor Overhaul Kit-Ref. No. 121.

◆ Included in Carburetor Gasket Set-Ref. No. 977.

⊘ Included in Valve Gasket Set-Ref. No 1095.

Illustrations cover a range of engines. Parts shown without corresponding text may not be used on your specific engine.

12F800

REF. NO.	PART NO.	DESCRIPTION	REF. NO.	PART NO.	DESCRIPTION	REF. NO.	PART NO.	DESCRIPTION
562	92613	Bolt (Governor Control Lever)	613	691340	Screw (Muffler)	651	691660	Screw (Starter Gear Cover)
564	690664	Screw (Control Cover)			----- Note -----	664	691087	Nut (Key Switch)
564A	691142	Screw (Control Cover)			790833 Screw (Muffler)	668	★493823	Spacer
564B	698589	Screw (Control Cover)			Used on Type No(s). 1970, 2047, 2058, 2059.	670	692294	Spacer-Fuel Tank
578	398153	Wire Assembly	613A	691653	Screw (Muffler)	676	396548	Deflector-Muffler (Louvered)
584	697734	Cover-Breather Passage	613B	691114	Screw (Muffler)	676A	393756	Deflector-Muffler (Side Out) (Shallow)
585	★691879	Gasket-Breather Passage	615	690340	Retainer-Governor Shaft	676B	397931	Deflector-Muffler (Direct Out)
592	690800	Nut (Rewind Starter)	616	698801	Crank-Governor	676C	493871	Deflector-Muffler (Side Out) (Extended) (Horseshoe)
597	691696	Screw (Pawl Friction Plate)	617★◆270344		Seal-O Ring (Intake Manifold)	676D	497682	Deflector-Muffler (For TUV)
601	791850	Clamp-Hose	621	692310	Switch-Stop	677	690661	Screw (Muffler Deflector)
601A	691038	Clamp-Hose	627	692872	Bracket-Stopswitch	678	224278	Spacer-Rewind
604	691757	Cover-Control			----- Note -----	684	690345	Screw (Breather Passage Cover)
604A	691344	Cover-Control			792565 Bracket- Stopswitch	689	691855	Spring-Friction
604B	790703	Cover-Control			Used on Type No(s). 3134.	689A	262625	Spring-Friction (Rewind Starter)
604D	793770	Cover-Control	633	◆691321	Seal-Choke/Throttle Shaft	692	690572	Spring-Detent
608	497680	Starter-Rewind			----- Note -----	697	691127	Screw (Drive Cap)
		----- Note -----	633A	◆693867	Seal-Choke/Throttle Shaft	715	691147	Screw (Shaft Stop)
		791363 Starter- Rewind			Used on Type No(s). 1969.	718	690959	Pin-Locating
608A	497598	Starter-Rewind	635	66538S	Boot-Spark Plug	721	690449	Stop-Shaft
			635A	792597	Boot-Spark Plug (Screw On Style)			
					----- Note -----			
					793351 Boot-Spark Plug (Snap On Style)			

★ Included in Engine Gasket Set-Ref. No.358.

● Included in Carburetor Overhaul Kit-Ref. No. 121.

◆ Included in Carburetor Gasket Set-Ref. No. 977.

⊙ Included in Valve Gasket Set-Ref. No 1095.

Illustrations cover a range of engines. Parts shown without corresponding text may not be used on your specific engine.

REF. NO.	PART NO.	DESCRIPTION	REF. NO.	PART NO.	DESCRIPTION	REF. NO.	PART NO.	DESCRIPTION
741	797521	Gear-Timing (Metal) (Used After Code Date 08021700). ----- Note ----- 795755 Gear-Timing (Plastic) (Used After Code Date 08021700). 794388 Gear-Timing (Use Without Woodruff Key) (Used After Code Date 07093000 and Before Code Date 08021800). 790345 Gear-Timing (Use Without Woodruff Key) (Used Before Code Date 07100100). 691830 Gear-Timing (Uses Woodruff Key)	784	795095	Cover-Starter Gear	802	695267	Cap-End (Used After Code Date 00040600). ----- Note ----- 695975 Cap-End (Used Before Code Date 00040700).
			785	692352	Gasket-Starter Cover			
			789	696546	Harness-Wiring (Used After Code Date 00040600). ----- Note ----- 690790 Harness-Wiring (Used Before Code Date 00040700).	803	695266	Housing-Starter (Used After Code Date 00040600). ----- Note ----- 695975 Housing-Starter (Used Before Code Date 00040700).
			789A	695552	Harness-Wiring (Used After Code Date 00040600). ----- Note ----- 691372 Harness-Wiring (Used Before Code Date 00040700).			
			789B	494544	Harness-Wiring ----- Note ----- 696547 Harness-Wiring Used on Type No(s). 0644, 0654, 0918, 1209, 1210, 1212, 1213, 1324, 1327, 1719, 1735, 1787, 1792, 1903, 1924, 1930, 1934, 1936, 1944, 1950, 1951, 1962, 1963, 1974, 2005, 2054, 2058, 2377, 2414, 2614, 3127, 3132, 3510.	832	590486	Guard-Muffler (Used After Code Date 11063000). ----- Note ----- 499034 Guard-Muffler (Used Before Code Date 11070100).
742	93941	Retainer-E Ring				832A	691424	Guard-Muffler
743	691772	Gear-Drive (Counterclockwise) ----- Note ----- 690516 Gear-Drive (Clockwise) Used on Type No(s). 0860, 2950.				832B	497683	Guard-Muffler
						836	690664	Screw (Muffler Guard)
745	691648	Screw (Brake)				836A	690661	Screw (Muffler Guard)
776	396526	Guide-Rope				836B	691147	Screw (Muffler Guard)
783	691918	Gear-Pinion (Starter)				842	★691031	Seal-O Ring (Dipstick Tube)
783A	691269	Gear-Pinion	801	690782	Cap-Drive	843	691884	Sleeve-Lever (Speed Control)
						843A	691895	Sleeve-Lever (Choke)

★ Included in Engine Gasket Set-Ref. No.358.

● Included in Carburetor Overhaul Kit-Ref. No. 121.

◆ Included in Carburetor Gasket Set-Ref. No. 977.

⊘ Included in Valve Gasket Set-Ref. No 1095.

Illustrations cover a range of engines. Parts shown without corresponding text may not be used on your specific engine.

12F800

REF. NO.	PART NO.	DESCRIPTION	REF. NO.	PART NO.	DESCRIPTION	REF. NO.	PART NO.	DESCRIPTION
847	692047	Dipstick/Tube Assembly	883	★∅691881	Gasket-Exhaust	923	691994	Brake
851	493880S	Terminal-Spark Plug	892	690646	Switch-Key			----- Note -----
851A	692424	Terminal-Spark Plug	910	691094	Stud (Alternator)			691994 Brake (Used Before Code Date 06081400).
853	695268	Adapter-Wire	921	497233	Cover-Blower Housing			Used on Type No(s). 1734, 1959, 1987, 2045, 2055, 2057, 2059, 2060, 2380.
		----- Note -----	921A	695886	Cover-Blower Housing	923A	695891	Brake
		698471 Adapter-Wire Used on Type No(s). 3129, 3130.	921B	692931	Cover-Blower Housing (Black)			----- Note -----
868	590410	Seal-Valve (Used After Code Date 11063000).			----- Note -----			695891 Brake (Used After Code Date 06081300 and Before Code Date 08050100).
		----- Note -----	921C	695889	Cover-Blower Housing			Used on Type No(s). 1734, 1959, 1987, 2045, 2055, 2057, 2059, 2060, 2380.
		697338 Seal-Valve (Used Before Code Date 11070100).	921E	696262	Cover-Blower Housing			695891 Brake (Used Before Code Date 08050100).
869	691155	Seat-Valve (Intake)	921F	697343	Cover-Blower Housing			Used on Type No(s). 1220, 1221, 1700, 1721, 1722, 1723, 1737, 1783, 1788, 1791, 1793, 1904, 1908, 1931, 1932, 1946, 1947, 1949, 1952, 1960, 1961, 1965, 1968, 1969, 1970, 1971, 1973, 2041, 2308, 2411, 2628, 3135, 3165, 3136.
870	690380	Seat-Valve (Exhaust)	921G	790701	Cover-Blower Housing	923B	796136	Brake (Used After Code Date 08043000).
871	590409	Bushing-Valve Guide (Exhaust) (Used After Code Date 11063000).	921H	790037	Cover-Blower Housing			Used on Type No(s). 1220, 1221, 1700, 1721, 1722, 1723, 1737, 1783, 1788, 1791, 1793, 1904, 1908, 1931, 1932, 1946, 1947, 1949, 1952, 1960, 1961, 1965, 1968, 1969, 1970, 1971, 1973, 2041, 2308, 2411, 2628, 3135, 3165, 3136.
		----- Note -----	921L	791026	Cover-Blower Housing			
		590409 Bushing-Valve Guide (Intake) (Used After Code Date 11063000).	921N	792675	Cover-Blower Housing			
		262001 Bushing-Valve Guide (Exhaust) (Used Before Code Date 11070100).	921R	793771	Cover-Blower Housing			
		63709 Bushing-Valve Guide (Intake) (Used Before Code Date 11070100).	922	691831	Spring-Brake			
			922A	692135	Spring-Brake			

★ Included in Engine Gasket Set-Ref. No.358.

● Included in Carburetor Overhaul Kit-Ref. No. 121.

◆ Included in Carburetor Gasket Set-Ref. No. 977.

∅ Included in Valve Gasket Set-Ref. No 1095.

Illustrations cover a range of engines. Parts shown without corresponding text may not be used on your specific engine.

REF. NO.	PART NO.	DESCRIPTION	REF. NO.	PART NO.	DESCRIPTION	REF. NO.	PART NO.	DESCRIPTION
925	795403	Cover-Linkage (Used After Code Date 07072200).	967A	493537S	Filter-Pre Cleaner	1019	494256	Kit-Label
		----- Note -----	968B	692298	Cover-Air Cleaner			----- Note -----
		690595 Cover-Linkage (Used Before Code Date 07072300).	969	690700	Screw (Blower Housing Cover)			790231 Kit-Label (Touch N Mow)
930	691919	Guard-Rewind (Round)	969A	691138	Screw (Blower Housing Cover)	1036		Label-Emissions (Available From A Briggs & Statton Authorized Dealer)
930A	691345	Guard-Rewind (Tear Drop)	970	691669	Screw (Air Cleaner Primer Bracket)	1058	380567	Operator's Manual (Used After Code Date 11063000).
930C	690598	Guard-Rewind (Trim Ring)	972B	699374	Tank-Fuel (Plastic)			----- Note -----
935	499421	Switch-Interlock (Used Before Code Date 08050100).			699387 Tank-Fuel (Plastic) Used on Type No(s). 1717, 1925, 1958, 2027, 2038, 2044, 2046, 2327, 2329, 2611, 2612, 2613, 2685, 2687, 3186, 3322, 3324.			277039 Operator's Manual (Used Before Code Date 11070100).
937	691325	Spline-Starter	975	493640	Bowl-Float			277101 Operator's Manual (Touch N Mow)
937A	799420	Spline-Starter	976	694395	Primer-Carburetor	1059	692311	Kit-Screw/Washer ----- Note -----
940	691004	Screw (Casing Clamp Bracket)	977	498261	Gasket Set-Carburetor			696293 Kit-Screw/ Washer (Touch N Mow)
946	691738	Stop-Rope	990	691959	Key Set	1095	590507	Gasket Set-Valve (Used After Code Date 11063000).
957	397974S	Cap-Fuel Tank (Plastic)	990A	695951	Key Set			----- Note -----
957B	699985	Cap-Fuel Tank (Plastic)	994	398067	Arrestor-Spark			498528 Gasket Set-Valve (Used Before Code Date 11070100).
958	698183	Valve-Fuel Shut Off (Plastic)	994A	692957	Arrestor-Spark			
966A	496116	Base-Air Cleaner Primer	1005	691346	Fan-Flywheel			
966B	792040	Base-Air Cleaner Primer	1009	696255	Screw (Starter Motor)			

★ Included in Engine Gasket Set-Ref. No.358.
● Included in Carburetor Overhaul Kit-Ref. No. 121.

◆ Included in Carburetor Gasket Set-Ref. No. 977.
⊗ Included in Valve Gasket Set-Ref. No 1095.

Illustrations cover a range of engines. Parts shown without corresponding text may not be used on your specific engine.
0517-23 Assemblies include all parts shown in frames. 11/22/2011

12F800

REF. NO.	PART NO.	DESCRIPTION	REF. NO.	PART NO.	DESCRIPTION	REF. NO.	PART NO.	DESCRIPTION
1102	691255	Pilot-Guide	1236	695959	Starter-Mechanical (Touch N Mow)	1319	794467	Label-Warning
1119	691648	Screw (Alternator)			(Do Not Service Individual Parts, Only As A Whole)	1330	270962	Manual-Repair
1134	224322	Washer (Pawl Friction Plate)			----- Note -----	1386	790848	Vane-Air (Autochoke System)
1160	690345	Screw (Interlock Switch)			699914 Starter-Mechanical	1387	790849	Spring-Air Vane
1210	498144	Pulley/Spring Assembly (Pulley)			(Touch N Mow)	1388	790850	Screw (Air Vane) (Autochoke System)
1211	498144	Pulley/Spring Assembly (Spring)			(Do Not Service Individual Parts, Only As A Whole)			
					Used on Type No(s). 1958, 2685.			

Not for
Reproduction

- ★ Included in Engine Gasket Set-Ref. No.358.
- Included in Carburetor Overhaul Kit-Ref. No. 121.

- ◆ Included in Carburetor Gasket Set-Ref. No. 977.
- ⊘ Included in Valve Gasket Set-Ref. No 1095.

Illustrations cover a range of engines. Parts shown without corresponding text may not be used on your specific engine.

Not for
Reproduction

Not for
Reproduction

Not for
Reproduction

Not for
Reproduction

