

brand	MEP
-------	------------

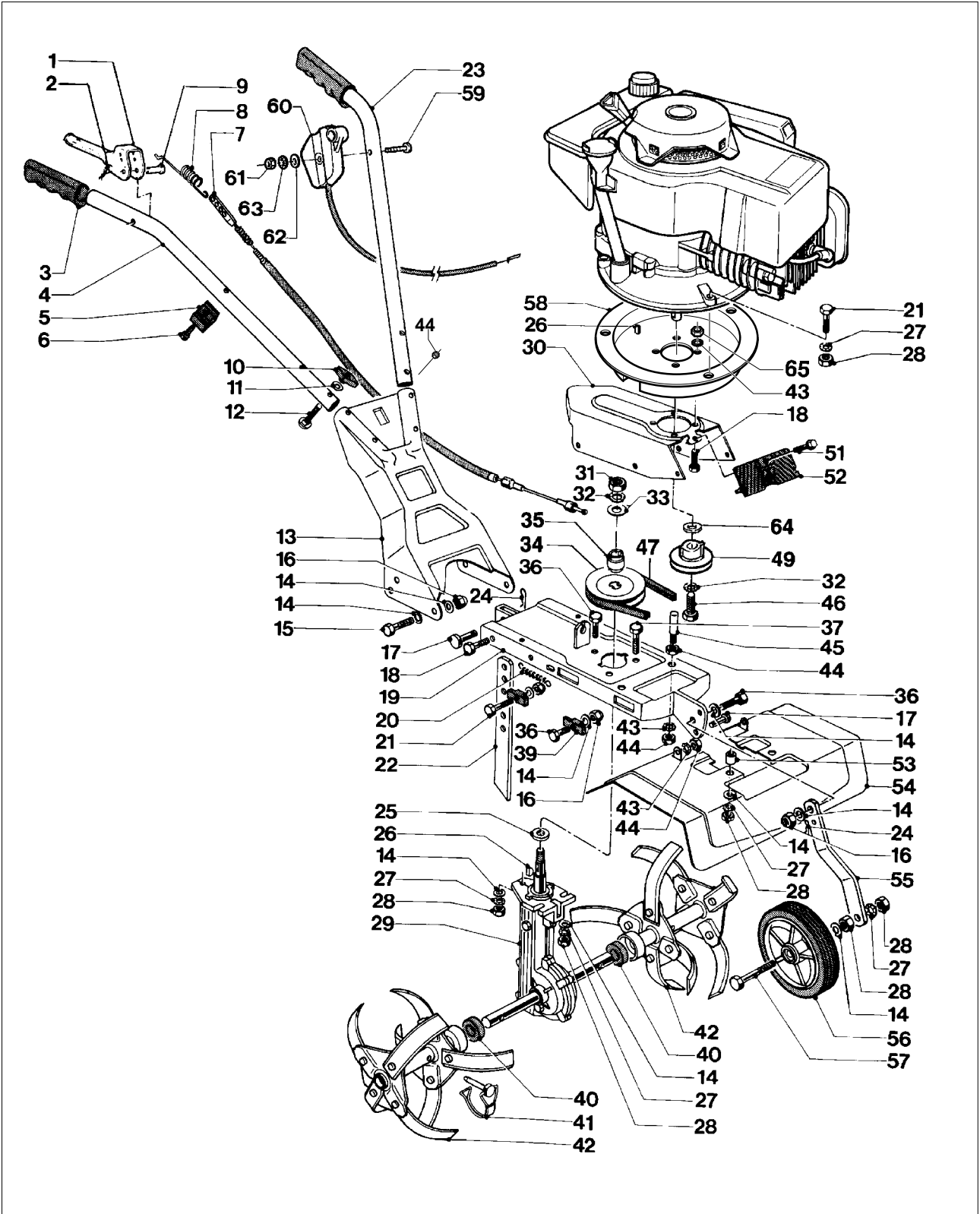
date	MAR/03	SHEET 1/4
------	--------	-----------

Model

MEPPY 3.7

Product number

953875169



brand	MEP
-------	------------

date	MAR/03	SHEET 2/4
------	--------	-----------

Model

MEPPY 3.7

Product number

953875169

Pos.	PN ELX	PN MEP	DESCRIPTION	Q.ty	NOTE
1	531205422	10128683	clutch lever	1	
2	531207408	10651300	cotter pin	1	1.1x17
3	531205267	10122683	sheating	2	
4	531205261	12122661	right handle	1	
5	531207923	10876103	cable bearing	1	
6	531207937	10878000	screw	1	TCTC 3,9x16
7	531205273	10122730	clutch cable	1	
8	531205326	10123380	spring	1	
9	531207409	10651400	pin	1	
10	531204960	10115703	knob	4	
11	531204961	10115900	washer	4	6,5E
12	531207842	10830800	screw	4	TTSQ M6x40 1/2F ZV
13	531205280	10122771	handle bearing	1	
14	531204922	10114200	washer	20	8x16x1,5 ZB
15	531208585	20382300	screw	4	TE M8x20 UNI 5739-8,8-ZB
16	531208599	20404900	nut	9	M8 H10 UNI7473-ZB
17	531205293	10122990	pin	2	
18	531208769	20655100	screw	2	TE M6x16 UNI 5739-8,8-ZB
19	531205247	10122621	lower deck	1	
20	531205290	10122920	spring	2	
21	531205196	10121700	screw	5	TE M8x35 UNI 5739-8,8-ZB
22	531205291	10122973	rod	1	
23	531205304	10123081	left handle	1	
24	531208657	20501290	cotter pin	2	D.2
25	531206629	10244700	washer	1	14x29x2,5
26	531204907	10100900	key	2	4x6,5 UNI6606 WODRUF
27	531207981	20106200	washer	9	D.8E DIN 6798
28	531207982	20106300	nut	10	M8 H8 UNI 5587-6S ZB
29	531204421	09123520	reducer	1	
30	531205253	10122631	upper deck	1	
31	531207978	20101700	nut	1	M10 H8 UNI 5588-6S ZB
32	531208974	30102100	washer	2	10E
33	531207989	20113000	washer	1	10x30x2,5
34	531205243	10122590	gear pulley	1	
35	531205286	10122870	joint	1	TE M8x25 UNI 5739-8,8-ZB
36	531208586	20385300	screw	4	TE M8x45 UNI 5739-8,8-ZB
37	531204905	10069100	screw	2	
39	531205275	10122753	slider	4	
40	531205297	10123043	washer	2	
41	531205271	10122710	pin with spring	2	
42	531205270	10122703	blade star	2	
43	531208499	20286606	washer	8	D.6E
44	531207165	10501200	nut	10	M6 H6 UNI 5587-6S-ZB

brand	MEP
-------	------------

Model

MEPPY 3.7

date	MAR/03	SHEET 3/4
------	--------	-----------

Product number

953875169

Pos.	PN ELX	PN MEP	DESCRIPTION	Q.ty	NOTE
45	531205292	10122980	pin	2	
46	531208008	20120580	screw	1	TE 3/8 UNFx37-8,8 1/2F ZB
47	531205295	10123020	belt	1	Z 17 3/4 (10x450 LI) S
49	531205332	10123570	pulley	1	
51	531207120	10427400	screw	1	TE FR TC 4,8x13
52	531205276	10122763	plate	1	
53	531205296	10123030	spacer	2	
54	531205256	10122643	deflector	1	
55	531205269	10122693	rod	1	
56	531204876	10023903	wheel	1	D.160X35 RIG
57	531207105	10407600	screw	1	TE M8x70 UNI 5737-8,8-ZB
58	531205288	10122893	motor bearing	1	
59	531205328	10123420	screw	1	TCTC M4x45 UNI6107-4,8
60	531205300	10123070	accelerador	1	TECNA4T
61	531208490	20280500	nut	1	M4 H4 ZB UNI 5587
62	531207170	10501250	washer	1	D.4/12/1
63	531207128	10480100	washer	1	4E
64	531207122	10428900	washer	2	10x21x2
65	531208491	20281800	nut	4	M6 H8 UNI7473-ZB

brand	MEP
-------	------------

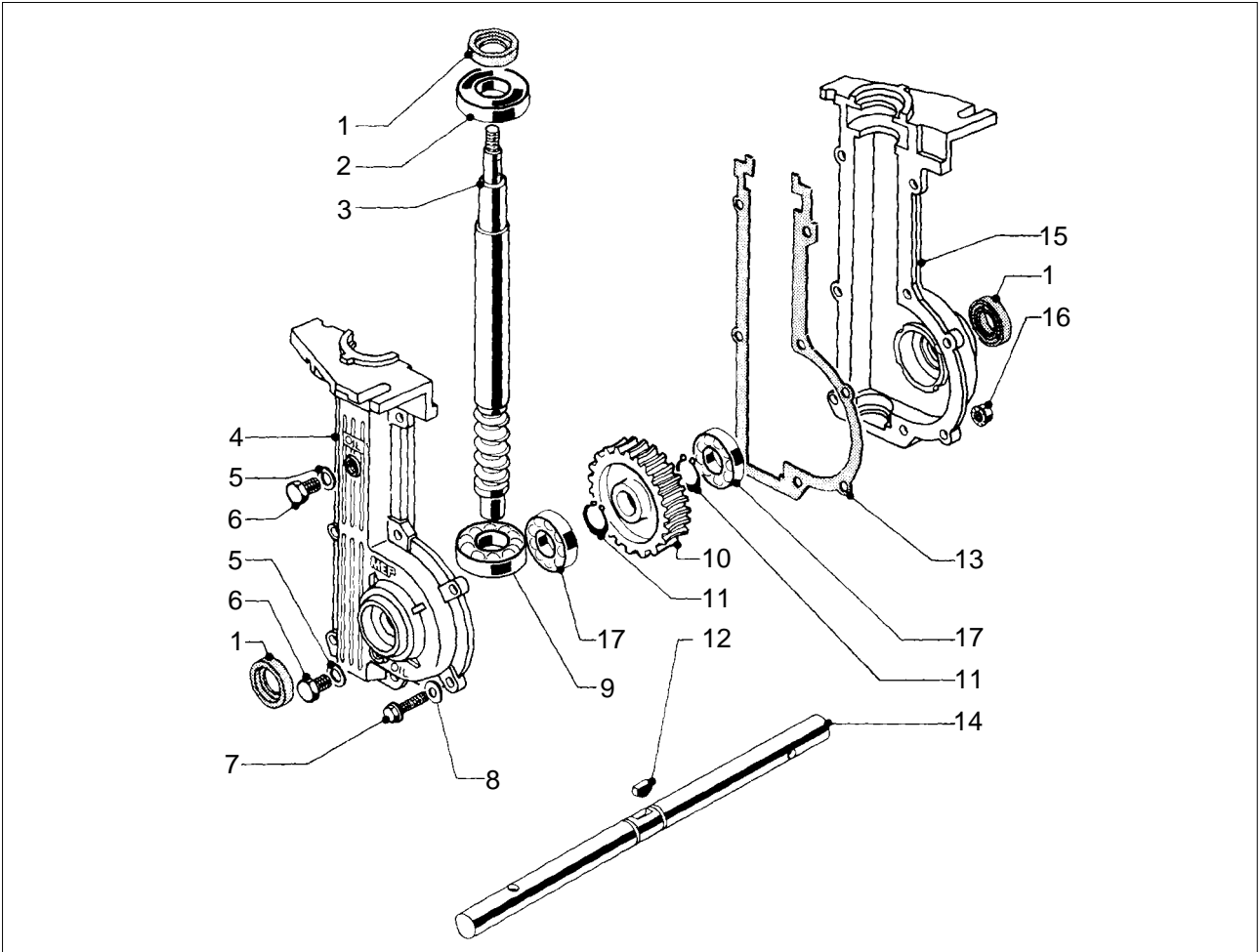
date	MAR/03	SHEET 4/4
------	--------	-----------

Model

MEPPY 3.7

Product number

953875169



Pos.	PN ELX	PN MEP	DESCRIPTION	Q.ty	NOTE
1	531208505	20286637	gas ring	3	D.20/32/7 RP
2	531208050	20122560	ball-bearing	1	20/47/14 6204 2RS
3	531208086	20123480	worm screw	1	
4	531208084	20123450	right box	1	
5	531208881	20763600	gasket	2	
6	531208882	20763700	plug	2	D.1/8" GAS
7	531206665	10283700	screw	6	TE M6x25-UNI5737- 8,8 ZB
7	531208425	20228705	screw	2	TE M6x35 UNI 5737-8,8-ZB
8	531208751	20650519	washer	8	6E
9	531208087	20123490	ball-bearing	1	30203 17/40/13,25
10	531208075	20123120	crown gear	1	
11	531208502	20286631	seeger	2	D.20E-UNI7437
12	531208069	20122960	key	1	5x6,5
13	531208088	20123510	gasket	1	
14	531208076	20123130	shaft	1	
15	531208085	20123460	left box	1	
16	531208063	20122790	nut	8	M6 FLANGIATO
17	531208077	20123140	ball-bearing	2	20/42/12 - 6004