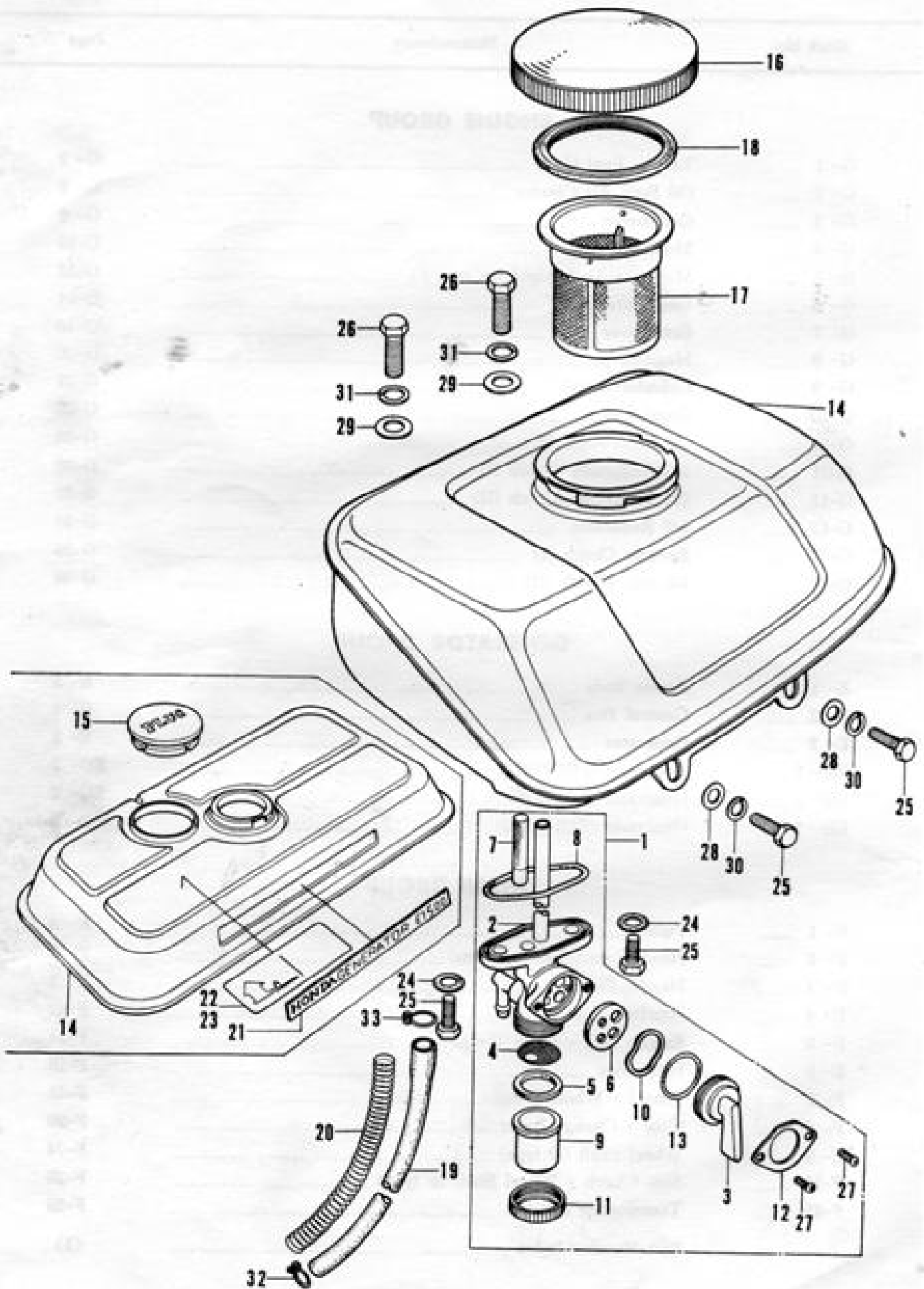


## F 4 2

Type	Side clutch	Wheel	Shipping country
F42FD	equipped	not equipped	France
F42D	not equipped	equipped	Others



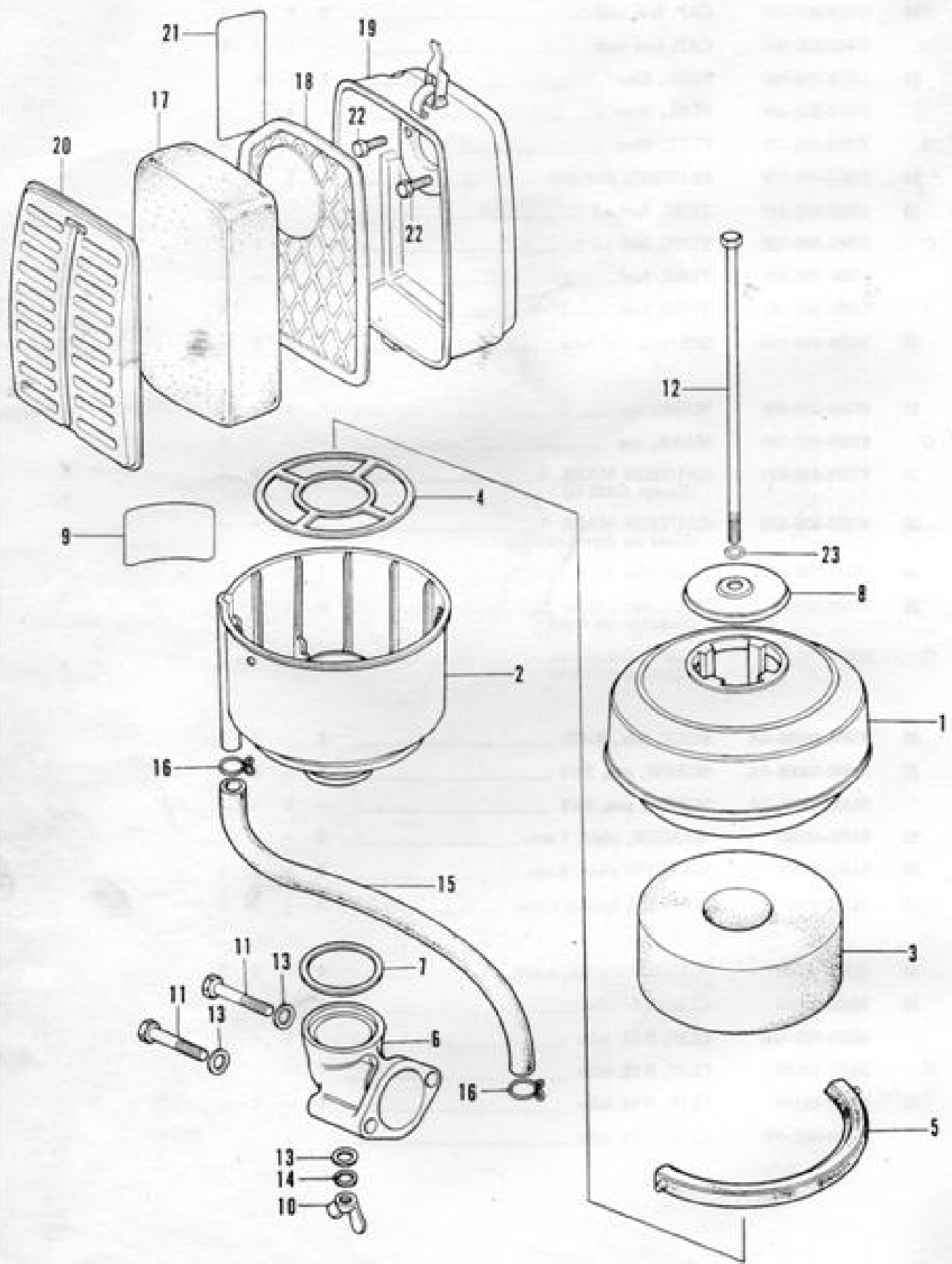
## G-1 Tank - Fuel Cock

Ref. No.	Part No.	Description	Reqd. No.				Remarks
			G	E1	E2	F	
1	16950-865-020	COCK ASSY., fuel .....	1	-	-	-	
○	16950-865-030	COCK ASSY., fuel .....	-	-	1	-	
	16950-822-000	COCK ASSY., fuel .....	-	1	-	-	
○	16950-865-780	COCK ASSY., fuel .....	-	-	-	1	
2	16951-865-010	BODY COMP., fuel cock .....	1	-	-	-	
○	16951-865-020	BODY COMP., fuel cock .....	-	-	1	-	
	16961-815-020	BODY COMP., fuel cock .....	-	1	-	-	
○	16961-865-781	BODY COMP., fuel cock .....	-	-	-	1	
3	16952-865-010	LEVER, cock .....	1	-	1	-	
	16972-822-014	LEVER, cock .....	-	1	-	-	
○	16972-865-780	LEVER, cock .....	-	-	-	1	
4	16957-865-010	ELEMENT .....	1	-	1	-	
	16931-822-004	ELEMENT .....	-	1	-	-	
○	16931-815-014	ELEMENT .....	-	-	-	1	
5	16958-703-007	PACKING, cap .....	1	1	1	1	
6	16959-865-000	PACKING, cock .....	1	-	1	-	
	16973-815-014	PACKING, cock .....	-	1	-	1	
7	16960-865-010	STRAINER, upper .....	1	-	1	-	
○	16981-822-000	FILTER, check .....	-	-	-	1	
8	16962-865-010	RING COCK, seal .....	1	-	1	1	
	16955-815-004	O-RING .....	-	1	-	1	
9	16967-865-000	CAP, strainer .....	1	-	1	-	
	16921-815-004	CHAMBER, fuel .....	-	1	-	-	
○	16911-841-004	CAP, fuel strainer .....	-	-	-	1	
10	16975-815-004	SPRING, cock lever .....	1	1	1	1	
11	16957-703-000	NUT, ring .....	1	1	1	-	
○	16912-841-650	NUT, ring .....	-	-	-	1	
12	16978-865-000	STOPPER, lever .....	1	-	1	-	
	16978-815-004	STOPPER, lever .....	-	1	-	-	
○	16978-865-780	STOPPER, lever .....	-	-	-	1	
13	16983-815-000	O-RING, 21 mm .....	1	1	1	1	
14	17500-865-020XC	TANK COMP., fuel .....	1	-	-	-	
	17500-839-680XC	TANK COMP., fuel (Used on type G42E-D and G42E-A)	-	1	-	-	
	17500-839-610XC	TANK COMP., fuel (Used on type G42E-G)	-	1	-	-	
	17500-865-660XC	TANK COMP., fuel .....	-	-	1	-	
○	17500-865-780XC	TANK COMP., fuel .....	-	-	-	1	
15	17617-822-000XC	COVER, plug .....	-	1	-	-	

### G-1 Tank - Fuel Cock

Ref. No.	Part No.	Description	Reqd. No.				Remarks
			G	E1	E2	F	
16	17650-805-000	CAP, fuel tank .....	1	1	1	-	
○	17650-808-000	CAP, fuel tank .....	-	-	-	1	
17	17672-703-020	FUEL, filter .....	1	-	1	-	
	17672-822-000	FUEL, filter .....	-	1	-	-	
○	17672-865-731	FUEL, filter .....	-	-	-	1	
18	17673-703-030	PACKING, fuel filter .....	1	1	1	1	
19	17685-865-010	TUBE, fuel 4.5 .....	1	-	-	-	
○	17685-865-020	TUBE, fuel 4.5 .....	-	-	1	-	
	17685-865-630	TUBE, fuel .....	-	1	-	-	
○	17685-865-781	TUBE, fuel .....	-	-	-	1	
20	16236-865-010	SPRING, fuel tube .....	1	1	1	-	
21	87101-839-000	MARK, top .....	-	1	-	-	
○	87525-865-780	MARK, top .....	-	-	-	1	
22	87522-836-670	CAUTION MARK A (Except G42E-G) .....	-	1	1	-	
23	87522-836-610	CAUTION MARK A (Used on type G42E-G) .....	-	1	-	-	
24	90445-700-000	PACKING, 6 mm .....	2	2	2	2	
25	92000-06016	BOLT, hex., 6x16 (Installed on tank) .....	4	2	2	2	
○	93500-06016	SCREW, pan, 6x16, (Installed on cock) .....	-	-	2	2	
26	92000-08020-0A	BOLT, hex., 8x20 .....	2	-	2	2	
27	93500-03008-0A	SCREW, pan, 3x8 .....	2	-	2	-	
	93500-03006-0A	SCREW, pan, 3x6 .....	-	2	-	2	
28	94101-06000	WASHER, plain, 6 mm .....	2	-	2	2	
29	94101-08000	WASHER, plain, 8 mm .....	2	-	2	2	
30	94111-06000	WASHER, spring, 6 mm .....	2	-	2	2	
31	94111-08000	WASHER, spring, 8 mm .....	2	-	2	2	
32	95002-02080	CLIP, B 8, tube .....	1	-	1	-	
	90604-921-000	CLIP, B 12, tube .....	-	1	-	-	
○	95002-02120	CLIP, B 12, tube .....	-	-	-	2	
33	95002-02100	CLIP, B 10, tube .....	1	-	1	-	
	90604-921-000	CLIP, B 12, tube .....	-	1	-	-	

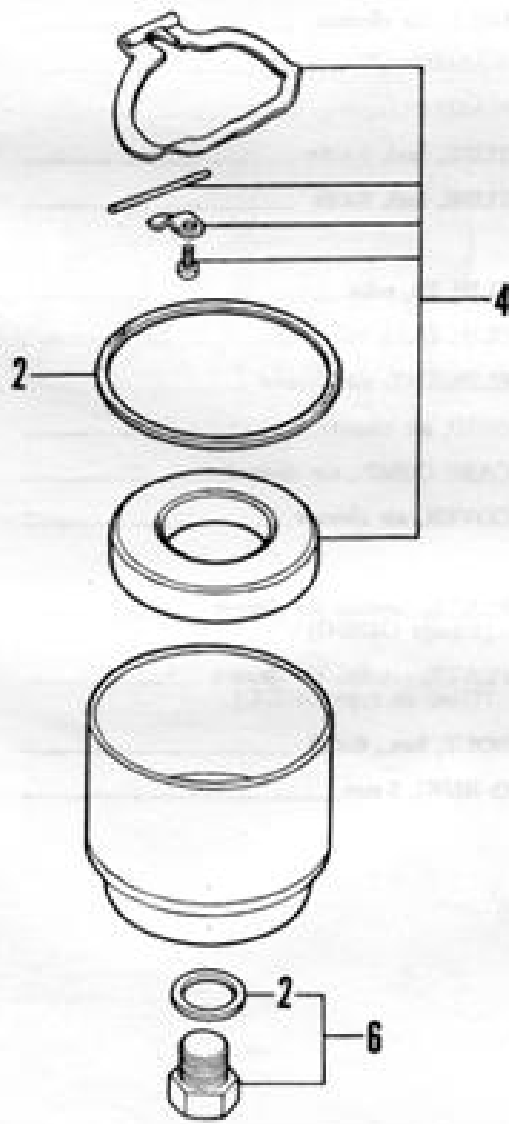
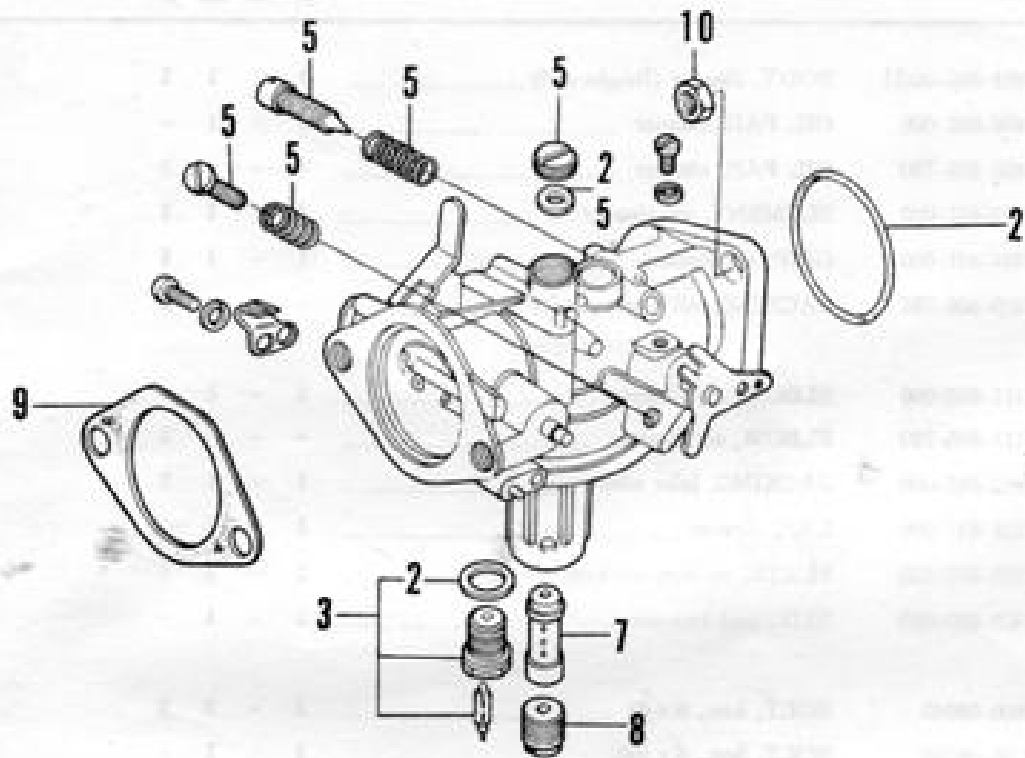
# G-2 Oil Bath Air Cleaner



## G-2 Oil Bath Air Cleaner

Ref. No.	Part No.	Description	Reqd. No.				Remarks
			G	E1	E2	F	
1	17401-865-000H	BODY, cleaner (Bright red) .....	1	-	1	1	
2	17402-865-000	OIL PAN, cleaner .....	1	-	1	-	
○	17402-865-780	OIL PAN, cleaner .....	-	-	-	1	
3	17403-841-000	ELEMENT, air cleaner .....	1	-	1	1	
4	17404-841-000	GRIP, air cleaner .....	1	-	1	1	
○ 5	17409-865-781	PACKING, oil cleaner .....	-	-	-	1	
6	17411-865-000	ELBOW, air cleaner .....	1	-	1	-	
○	17411-865-780	ELBOW, air cleaner .....	-	-	-	1	
7	17412-841-000	PACKING, inlet elbow .....	1	-	1	1	
8	17421-841-000	CAP, cleaner .....	1	-	1	1	
9	87535-816-660	PLATE, caution oil bath cleaner.....	1	-	1	1	
10	90325-865-650	NUT, tool box set .....	1	-	1	-	
11	92000-06040	BOLT, hex., 6×40 .....	2	-	2	2	
12	92000-06160	BOLT, hex., 6×160.....	1	-	1	-	
○	17425-865-780	BOLT, air cleaner .....	-	-	-	1	
13	94101-06000	WASHER, plain, 6 mm .....	3	-	3	2	
14	94111-06000	WASHER, spring, 6 mm .....	1	-	1	-	
15	95001-80200-40	TUBE, fuel, 8×200 .....	1	-	1	1	
	95001-80085-40	TUBE, fuel, 8×85 .....	-	1	-	-	
16	95002-02080	CLIP, B8, tube .....	2	-	2	2	
	95002-02130	CLIP, B12.5, tube .....	-	2	-	-	
17	17211-807-641	ELEMENT, air cleaner .....	-	1	-	-	
18	17212-807-641	GRID, air cleaner.....	-	1	-	-	
19	17220-865-630H	CASE COMP., air cleaner.....	-	1	-	-	
20	17231-865-630H	COVER, air cleaner.....	-	1	-	-	
21	87534-822-660	PLATE, caution air cleaner .....	-	1	-	-	
		(Except G42E-G)					
	87534-822-680	PLATE, caution air cleaner .....	-	1	-	-	
		(Used on type G42E-G)					
22	92000-06010	BOLT, hex., 6×10 .....	-	2	-	-	
○23	91304-865-780	O-RING, 5 mm .....	-	-	-	1	

# G-3 Carburetor



### G-3 Carburetor

Ref. No.	Part No.	Description	Reqd. No.				Remarks
			G	E1	E2	F	
1	16100-865-004	CARBURETOR ASSY. ....	1	-	1	-	
	16100-865-630	CARBURETOR ASSY. ....	-	1	-	-	
○	16100-865-781	CARBURETOR ASSY. ....	-	-	-	1	
2	16010-848-650	PACKING SET .....	1	1	1	1	
3	16011-865-004	VALVE SET, float .....	1	1	1	1	
4	16013-841-004	FLOAT, set .....	1	1	1	1	
5	16016-848-004	SCREW, set A .....	1	1	1	1	
6	16028-848-004	SCREW, set B .....	1	1	1	1	
7	16166-865-004	NOZZLE, main .....	1	1	1	1	
8	99114-841-0720	JET, main (#72) .....	(1)	(1)	(1)	-	
○	99114-848-0720	JET, main (#72) .....	-	-	-	(1)	
	99114-841-0750	JET, main (#75) .....	(1)	(1)	(1)	-	
○	99114-848-0750	JET, main (#75) .....	-	-	-	(1)	
	99114-841-0780	JET, main (#78) (S.T.D.) .....	1	1	1	-	
○	99114-848-0780	JET, main (#78) (S.T.D.) .....	-	-	-	1	
	99114-841-0800	JET, main (#80) .....	(1)	(1)	(1)	-	
○	99114-848-0800	JET, main (#80) .....	-	-	-	(1)	
	99114-841-0820	JET, main (#82) .....	(1)	(1)	(1)	-	
○	99114-848-0820	JET, main (#82) .....	-	-	-	(1)	
9	16269-822-000	PACKING, air cleaner .....	1	1	1	1	
10	94001-06000	NUT, hex., 6 mm .....	2	2	2	2	