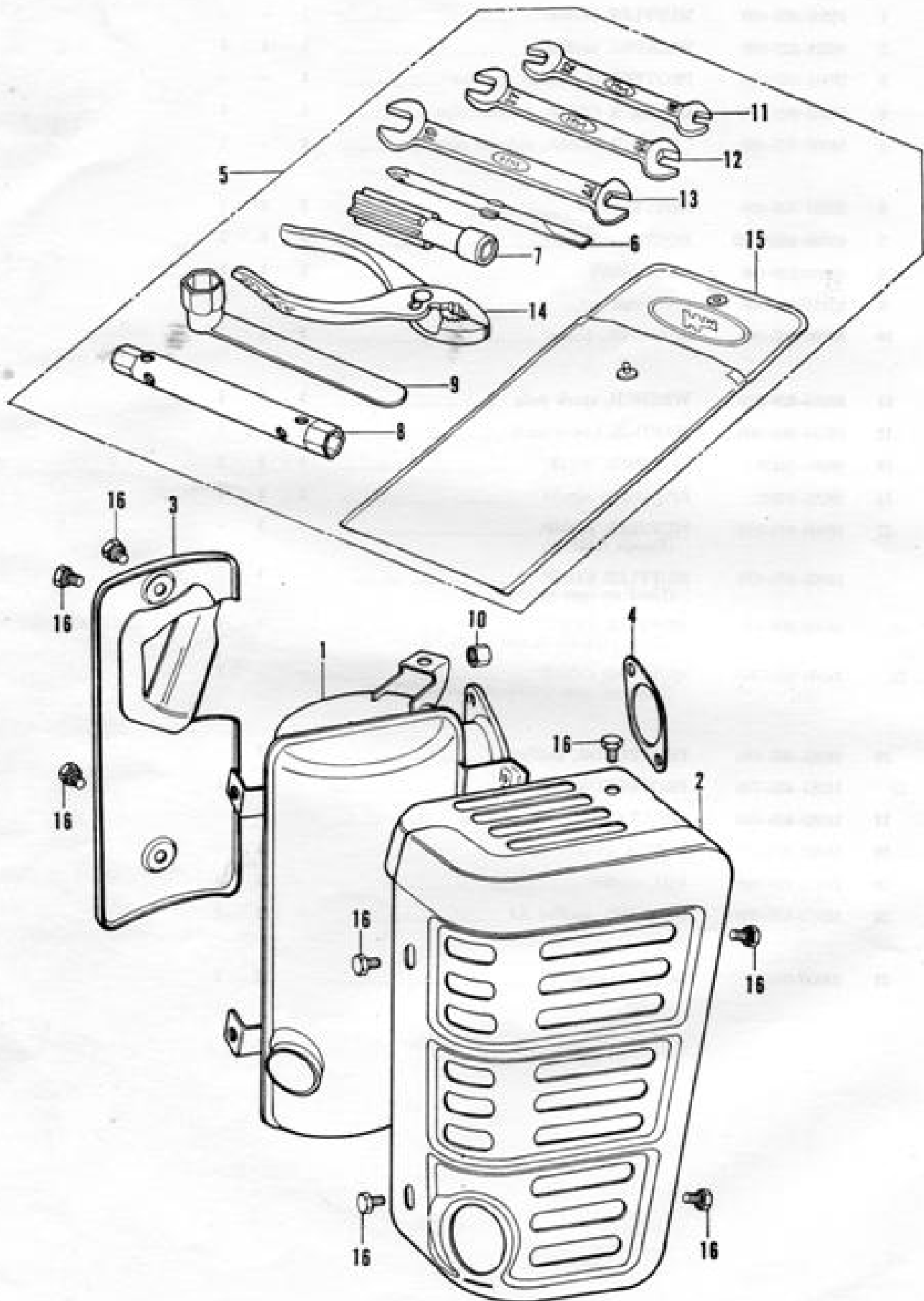


G-4 Muffler · Tool

Ref. No.	Part No.	Description	Reqd. No.			Remarks
			G	E1	E2	
1	18300-865-000	MUFFLER COMP.	1	-	-	
2	18351-822-000	PACKING, muffler	1	1	1	
3	18361-865-010	PROTECTOR COMP., muffler	1	-	-	
4	18365-865-000	COVER A COMP., exhaust pipe	1	-	1	
5	18366-865-000	COVER B COMP., exhaust pipe	1	-	1	
6	90381-703-000	NUT, hex., 6 ϕ	2	2	2	
7	93000-06008-02	BOLT, hex., 6 \times 8	5	6	2	
8	89000-839-000	TOOL ASSY.	1	1	1	
9	83151-805-000	BAG, tool	1	1	1	
10	89206-805-000	SPANNER, 17 mm	1	1	1	
11	89216-829-010	WRENCH, spark plug	1	1	1	
12	89219-805-000	HANDLE, box wrench	1	1	1	
13	99001-08120	SPANNER, 8 \times 12	1	1	1	
14	99001-10140	SPANNER, 10 \times 14	1	1	1	
15	18300-815-010	MUFFLER COMP. (Except G42E-A)	-	1	-	
	18300-865-670	MUFFLER COMP. (Used on type G42E-A)	-	1	-	
○	18300-865-740	MUFFLER COMP. (Except G42EG-A and G42ED-A)	-	-	1	
○	18300-865-760	MUFFLER COMP. (Used on type G42EG-A and G42ED-A)	-	-	1	
16	18361-805-640	PROTECTOR, muffler	-	1	-	
○	18361-865-740	PROTECTOR, muffler	-	-	1	
17	18363-805-640	SEPARATE PLATE, muffler	-	1	-	
18	18365-815-010	COVER, exhaust pipe	-	1	-	
19	18371-815-000	RID, muffler	-	1	1	
20	18372-815-000	PACKING, muffler rid	-	1	1	
21	92000-06016	BOLT, hex., 6 \times 16	-	1	1	

G-5 Muffler · Tool (Used on type F)



G-5 Muffler - Tool (Used on type F)

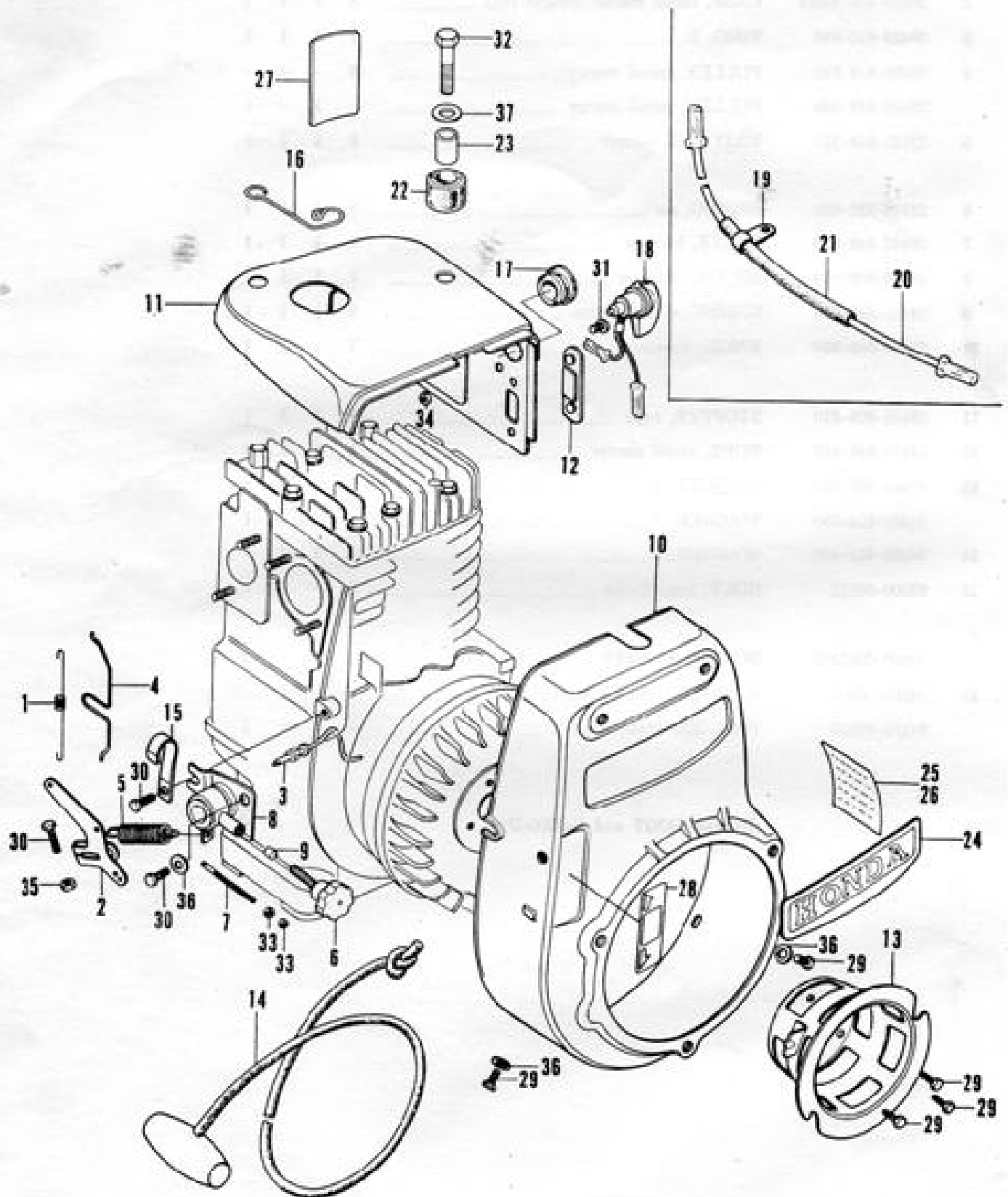
Ref. No.	Part No.	Description	Reqd. No. F	Remarks
1	18300-865-780	MUFFLER COMP.	1	
2	18311-865-780	PROTECTOR, muffler	1	
3	18315-865-780	SEPARATE, muffler	1	
4	18351-822-000	PACKING, muffler	1	
5	89000-719-000	TOOL ASSY.	1	
6	89102-538-000	DRIVER, screw	1	
7	89103-538-000	GRIP, screw driver	1	
8	89216-333-000	BOX WRENCH, 10×12,	1	
9	89216-719-000	WRENCH, plug	1	
10	90381-703-000	NUT, hex., 6 mm	2	
11	99001-10120	SPANNER, 10×12	1	
12	99001-14170	SPANNER, 14×17	1	
13	99001-17190	SPANNER, 17×19	1	
14	99002-13500	PLIER, 135 mm	1	
15	99008-02000	BAG, tool	1	
16	92000-06006-02	BOLT, hex., 6×6	8	

G-6 Recoil Starter

Ref. No.	Part No.	Description	Reqd. No.				Remarks
			G	E1	E2	F	
1	28400-848-000H	RECOIL STARTER ASSY. (Bright red).....	1	-	1	-	
	28400-865-630H	RECOIL STARTER ASSY. (Bright red).....	-	1	-	1	
2	28410-848-810H	CASE, recoil starter (Bright red)	1	1	1	1	
3	28423-810-810	RING, E	1	1	1	1	
4	28420-848-810	PULLEY, recoil starter	1	-	1	-	
	28420-848-650	PULLEY, recoil starter	-	1	-	1	
5	28441-848-810	RATCHET, starter	1	1	1	1	
6	28445-822-650	SPRING, set	1	1	1	1	
7	28445-848-810	PLATE, friction	1	1	1	1	
8	28446-809-810	SPRING, friction	1	1	1	1	
9	28451-848-810	SPRING, stater return	1	1	1	1	
10	28461-805-810	KNOB, starter	1	1	1	1	
11	28465-809-810	STOPPER, rope	1	1	1	1	
12	28471-848-810	ROPE, recoil starter	1	1	1	1	
13	90481-809-810	WASHER, A	1	-	1	-	
	90481-822-650	WASHER, A	-	1	-	1	
14	90482-822-650	WASHER, B	1	1	1	1	
15	92000-06012	BOLT, hex., 6x12	3	-	3	-	
	92000-0601202	BOLT, hex., 6x12	-	3	-	3	
16	94101-06000	WASHER, plain, 6 mm	3	-	3	-	
	94101-06200	WASHER, plain, 6 mm	-	3	-	3	

(Except G42QT and G42EC-D)

G-7 Fan Cover



G-7 Fan Cover

Ref. No.	Part No.	Description	Reqd. No.				Remarks
			G	E1	E2	F	
1	16501-841-000	SPRING, throttle return	1	1	-	1	
○	16501-865-750	SPRING, throttle return	-	-	1	-	
2	16541-822-000	ARM, governor	1	1	1	1	
3	16535-822-010	SHAFT, governor arm	1	1	1	1	
4	16545-822-000	ROD, governor	1	1	1	1	
5	16551-822-000	SPRING, governor	1	1	1	1	(* Indicates 50 Hz)
○	16551-865-750	SPRING, governor	-	-	1	-	(60 Hz)
6	16561-865-000	SCREW COMP, governor adjust	1	1	1	-	
7	16564-822-010	BOLT, spring adjust	1	1	1	-	~1007000
○	16564-822-020	BOLT, spring adjust	1	1	1	-	G42-1007001~
8	16570-865-000	LEVER COMP., control	1	1	1	-	
9	16574-822-000	BUSHING, control	1	1	1	-	
10	19600-865-000H	(Superseded by 19600-865-010H)	1	1	-	-	
○	19600-865-010H	COVER COMP., fan (Bright red)	1	1	1	-	
○	19600-865-780H	COVER COMP., fan (Bright red)	-	-	-	1	
11	19611-865-660H	COVER, side (Bright red)	1	-	1	-	
	19611-865-631H	COVER, side (Bright red)	-	1	-	-	
○	19611-865-000H	COVER, side (Bright red)	-	-	-	1	
12	19901-807-000	DEFENDER, side cover (Except G42ED-D and G42ED-A)	1	1	1	-	
	19901-865-780	GROMMET, side cover (Used on type G42ED-D and G42ED-A)	-	-	1	-	
13	28430-865-660	PULLEY COMP., starter (Except G42QT and G42EC-D)	1	1	1	1	
	28430-865-000	PULLEY COMP., starter (Used on type G42QT and G42EC-D)	1	-	1	-	
14	28470-822-000	ROPE, starter (Used on type G42QT and G42EC-D)	1	-	1	-	
15	30564-848-000	CLAMPER, cord	1	1	1	-	
16	30564-865-630	CLAMPER, hightension cord	-	1	-	-	
17	36151-805-641	GROMMET A, cord	-	1	-	-	
○	19902-865-780	GROMMET A, side cover	-	-	-	1	
18	36100-841-660	SWITCH ASSY., engine stop	1	-	1	-	
○19	36102-842-000	BINDER, cord (Used on type G42ED-D and G42ED-A)	-	-	1	-	
20	36103-842-000	CORD, engine stop switch (Used on type G42ED-D and G42ED-A)	-	-	1	-	

G-7 Fan Cover

Ref. No.	Part No.	Description	Reqd. No.				Remarks
			G	E1	E2	F	
○21	36104-842-000	TUBE, 12 mm (Used on type G42ED-D and G42ED-A)	-	-	1	-	
22	50318-839-000	RUBBER, stopper	-	1	-	-	
23	50319-839-000	COLLAR, distance	-	1	-	-	
24	87101-865-000	EMBLEM	1	1	1	-	
○	87511-865-780	MARK, side	-	-	-	1	
25	87515-865-660	MARK, oil level	1	-	1	-	
26	87542-844-660	MARK, oil level (Used on type G42E-D)	-	1	-	-	
	87515-865-641	MARK, oil level (Used on type G42EG)	-	1	-	-	
27	87521-865-660	PLATE, description	1	-	-	-	
○	87521-865-790	PLATE, caution	-	-	-	1	
28	87531-865-660	PLATE, throttle (Except G42E-G and G42EC-D)	1	1	1	-	
	87531-865-640	PLATE, throttle (Used on type G42E-G)	-	1	-	-	
○	87531-865-750	PLATE, throttle (Used on type G42EC-D)	-	-	1	-	
29	92000-06012	BOLT, hex., 6×12	8	8	8	8	
30	92000-06016	BOLT, hex., 6×16	3	3	3	-	
31	93500-05010	SCREW, pan, 5×10	1	-	1	-	~1007000
	93500-05010-0A	SCREW, pan, 5×10	1	-	1	-	G42-1007001~
32	92000-08032-0A	BOLT, hex., 8×32	-	1	-	-	
33	94001-04000	NUT, hex., 4 mm	2	2	2	-	~1007000
	94001-04000-0S	NUT, hex., 4 mm	2	2	2	-	G42-1007001~
34	94001-05000	NUT, hex., 5 mm	1	1	1	-	~1007000
	94001-05000-0S	NUT, hex., 5 mm	1	1	1	-	G42-1007001~
35	94001-06000	NUT, hex., 6 mm	1	1	1	1	
36	94101-06000	WASHER, plain, 6 mm	4	4	4	4	
37	94101-08000	WASHER, plain, 8 mm	-	1	-	-	

G-8 Magneto

