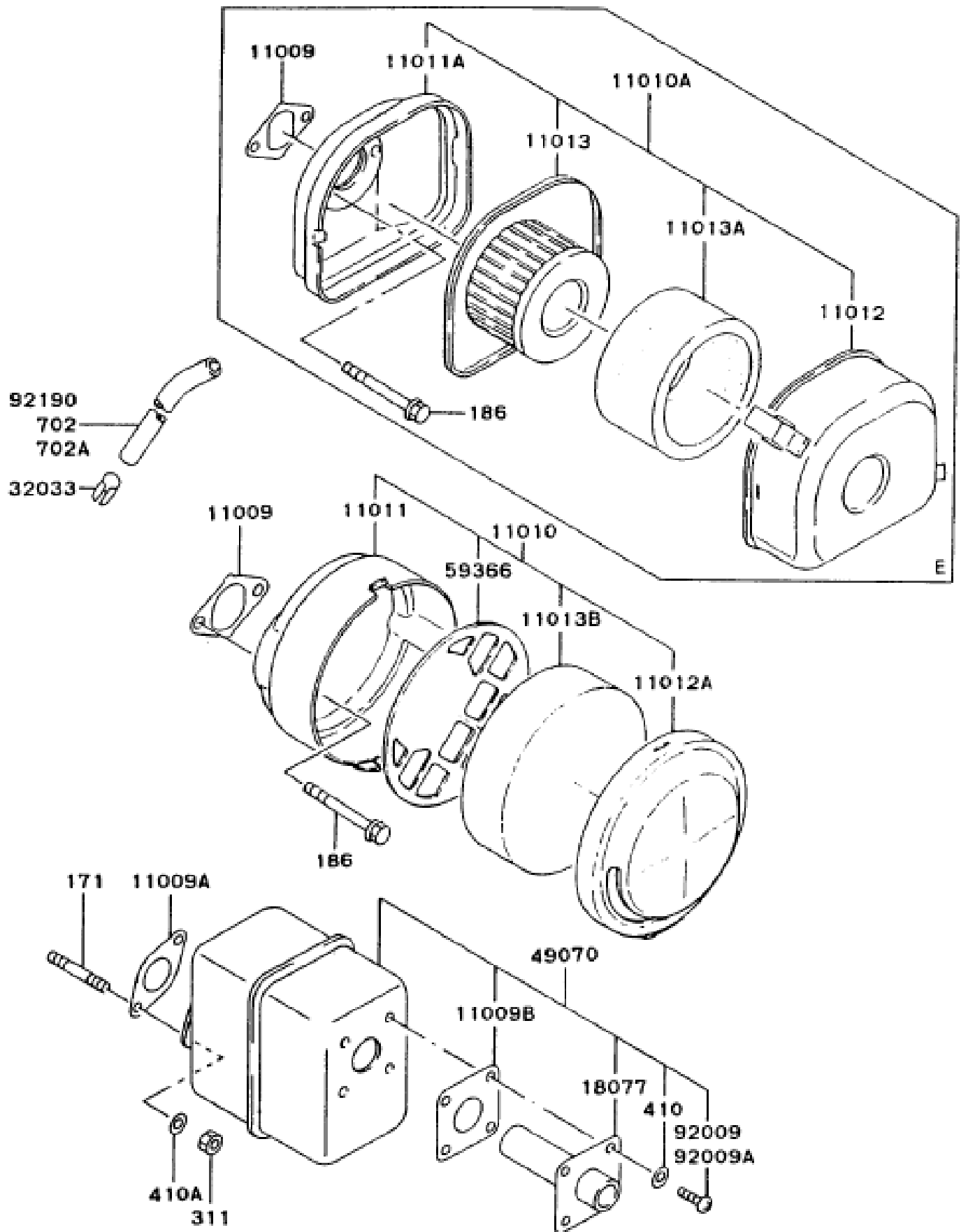
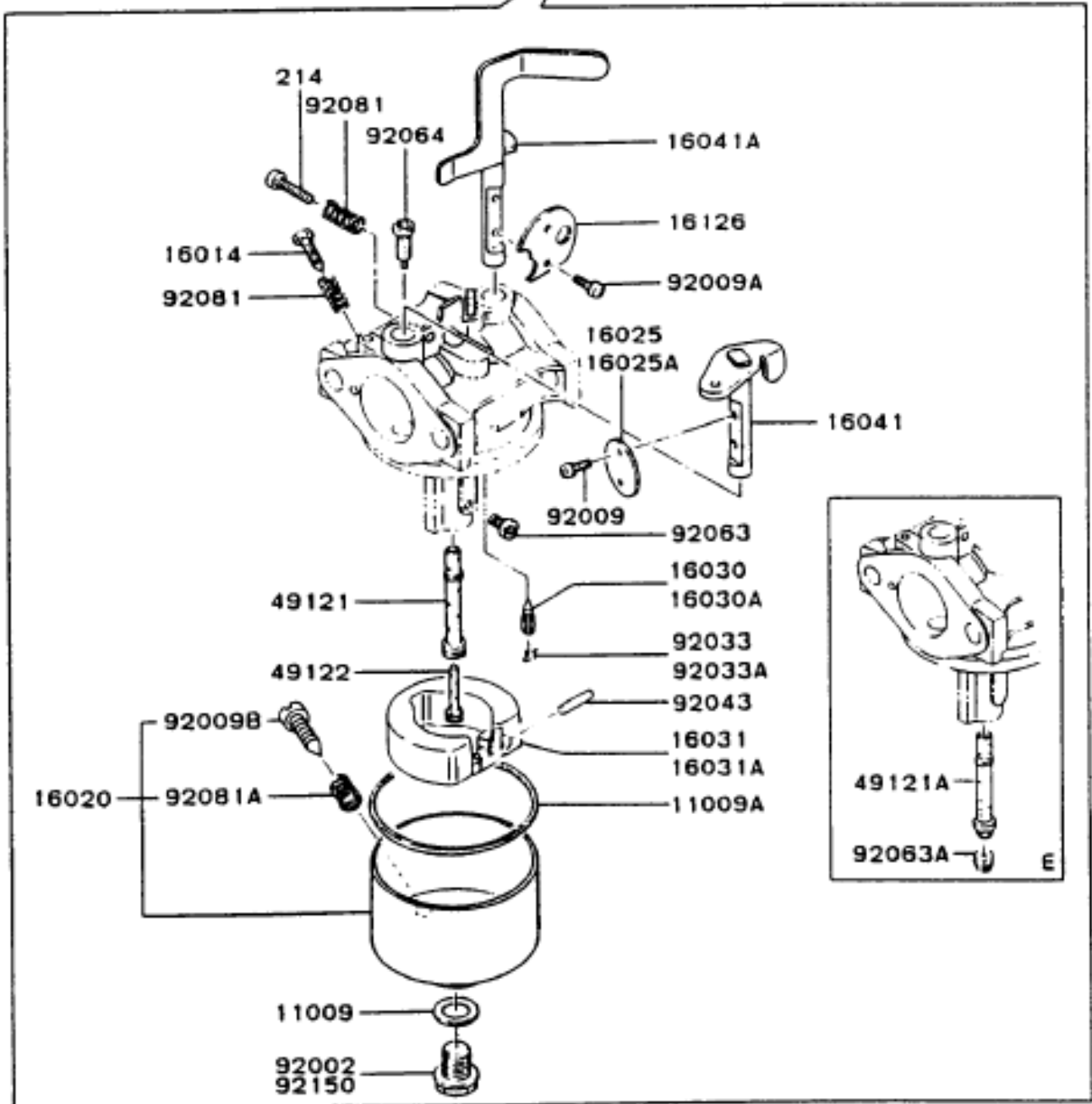
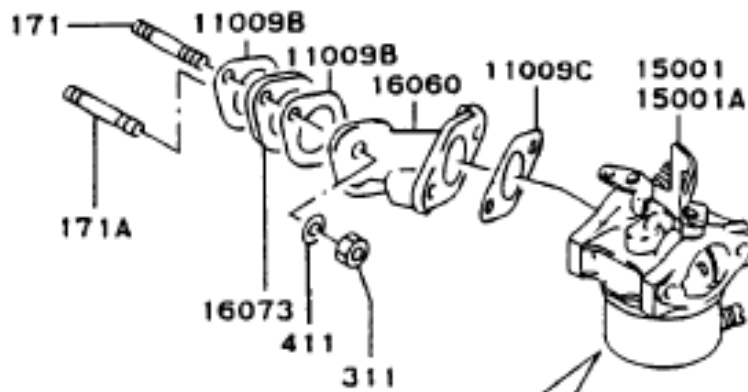




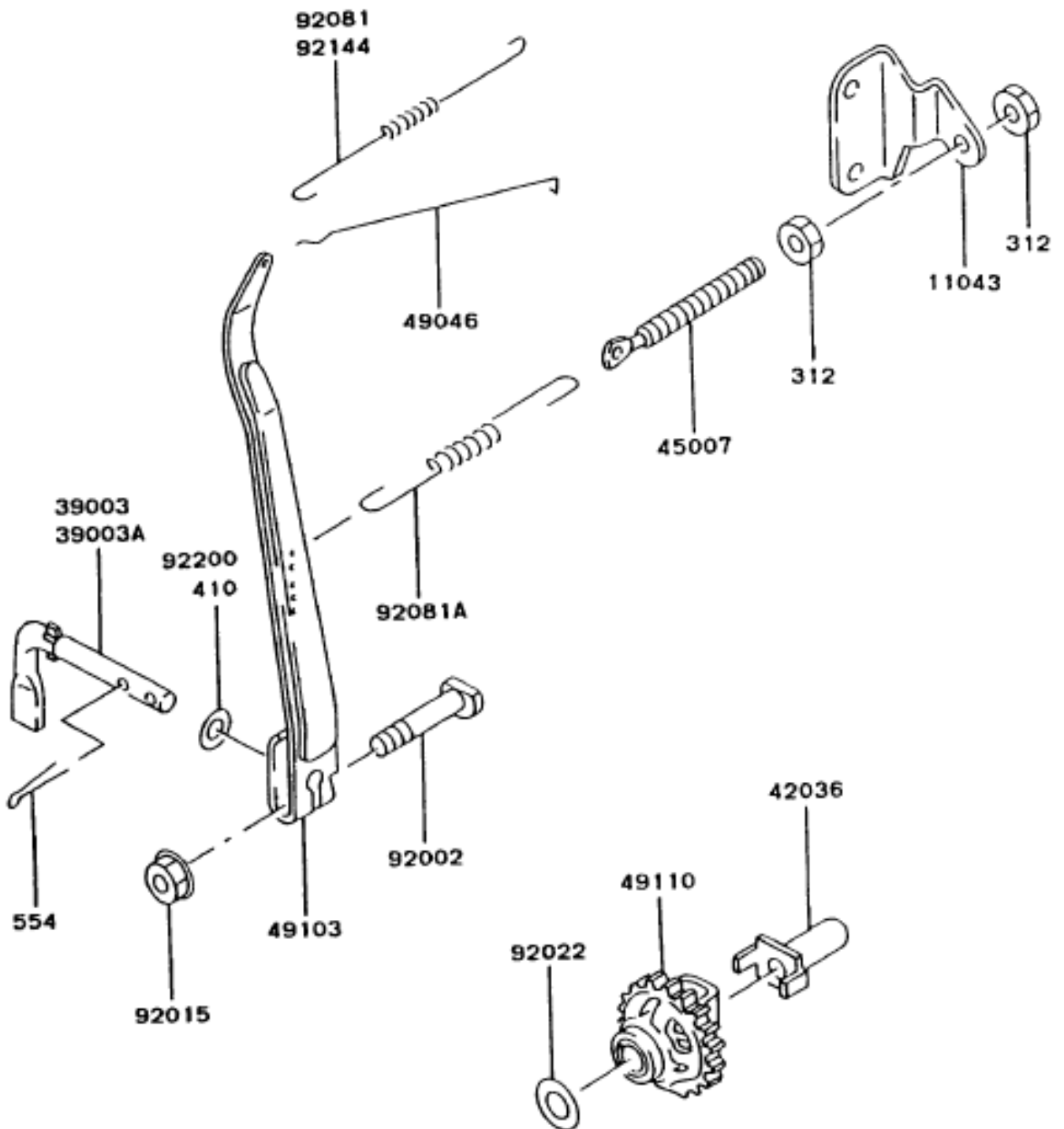
Vue éclatée

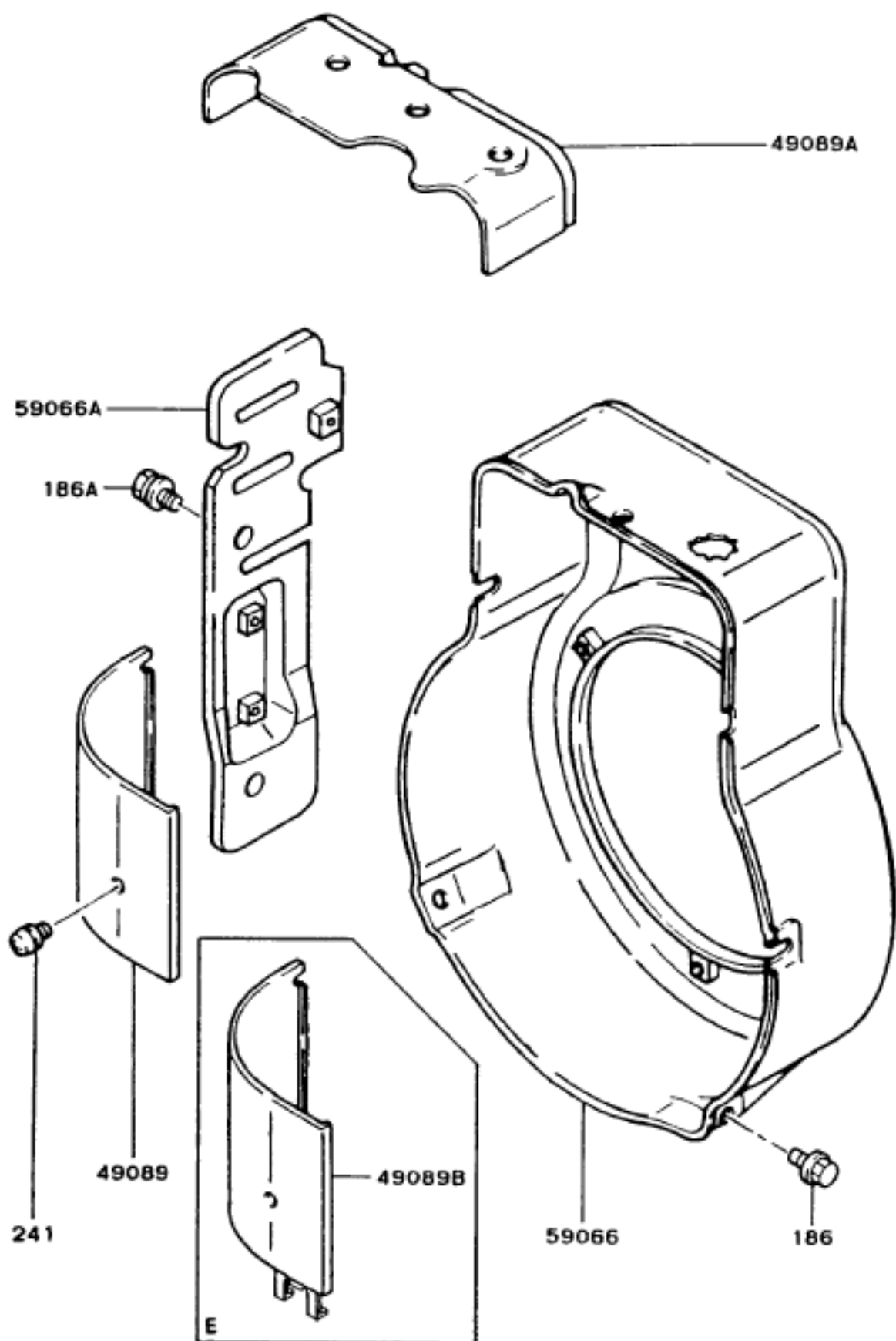
**FA 210 D**



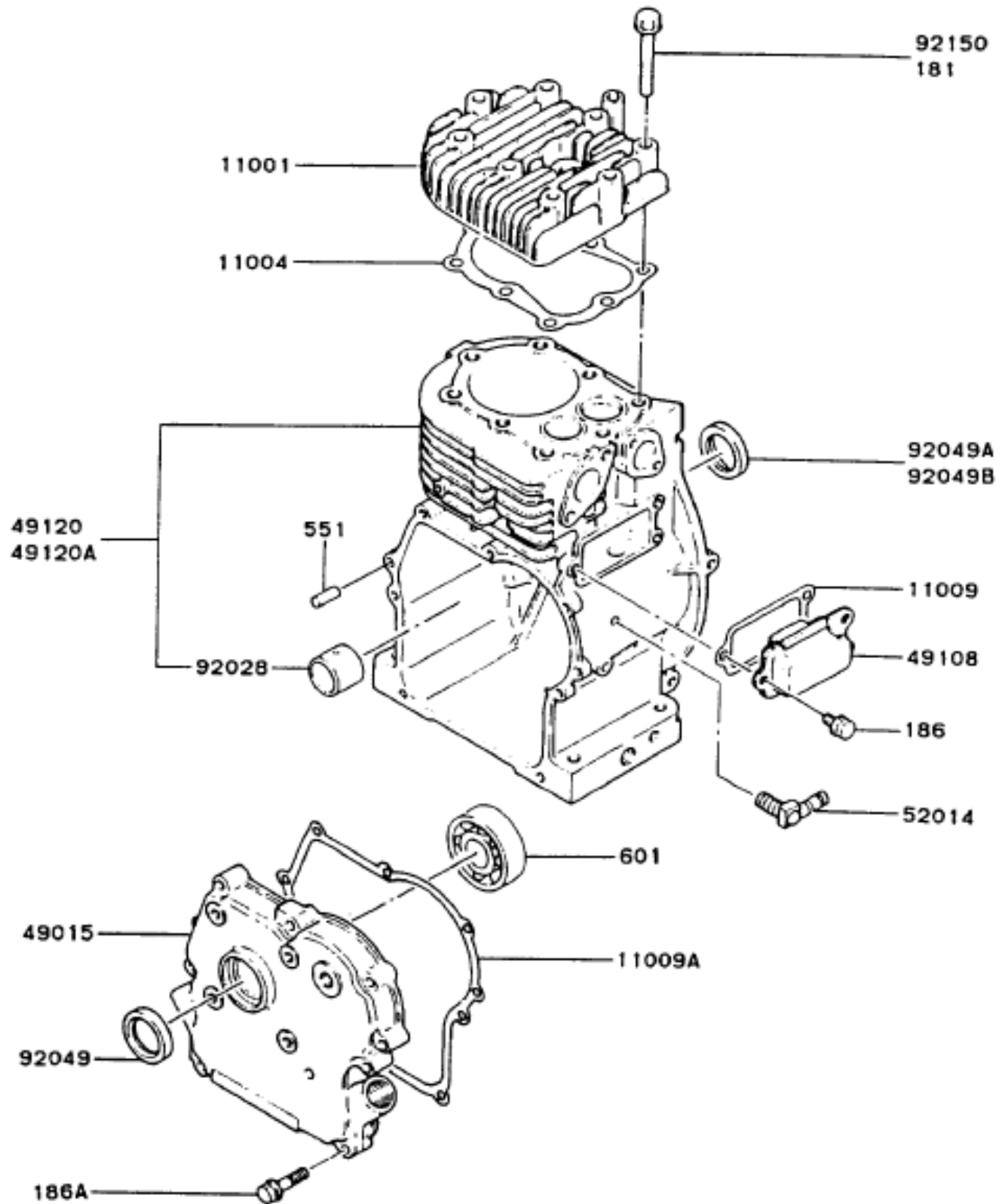


E0170-2283A

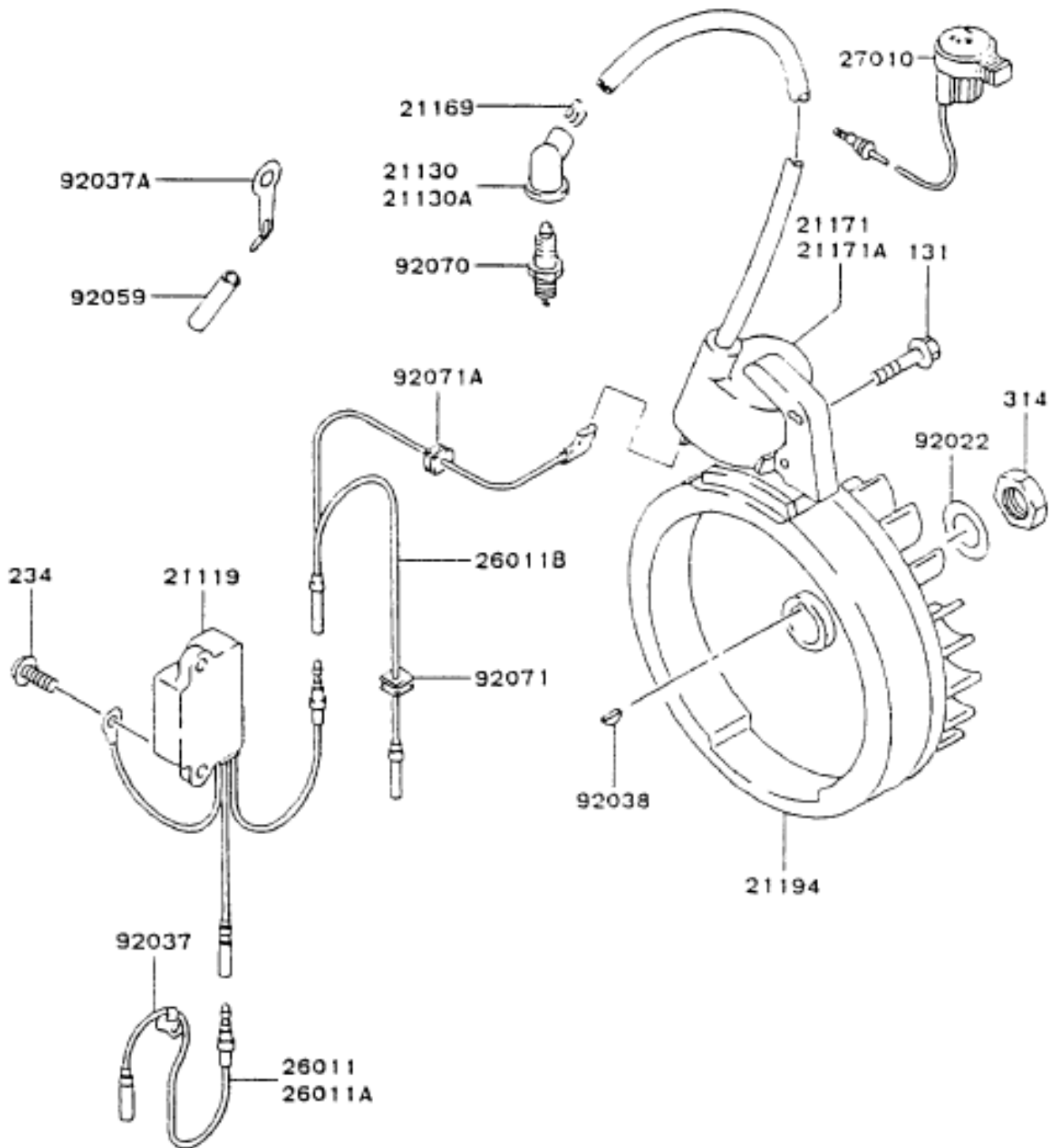




E0110-2098B



E0160-2411A



56031

CLEAN ELEMENT EVERY 20-50 HRS OR REQUIRED. WASH IN KEROSENE, SQUEEZE DRY, SOAK ELEMENT IN ENGINE OIL, SQUEEZE AND SHAKE OFF EXCESS OIL.

56031A

**LUBRICATION**  
 BEFORE STARTING FILL CRANKCASE WITH OIL.  
 USE CLASS : SC, SD, SE.  
 WINTER USE : SAE 20      SUMMER USE : SAE 30  
**SEE YOUR INSTRUCTION BOOK**

56031B

**DUAL ELEMENT AIR CLEANER MAINTENANCE**  
**FOAM ELEMENT: CLEAN EVERY 20 HRS.**  
 1. WASH IN DETERGENT AND WATER, AND DRY THOROUGHLY.  
 2. SATURATE IN ENGINE OIL AND SQUEEZE OUT EXCESS.  
**PAPER ELEMENT: CLEAN EVERY 100 HRS.**  
 1. CLEAN BY TAPPING GENTLY TO REMOVE DIRT.  
 2. IF NECESSARY, REPLACE OR WASH IN DETERGENT AND WATER AND DRY THOROUGHLY.  
 OPERATING IN DIRTY CONDITIONS MAY REQUIRE DAILY MAINTENANCE.

56038



56040

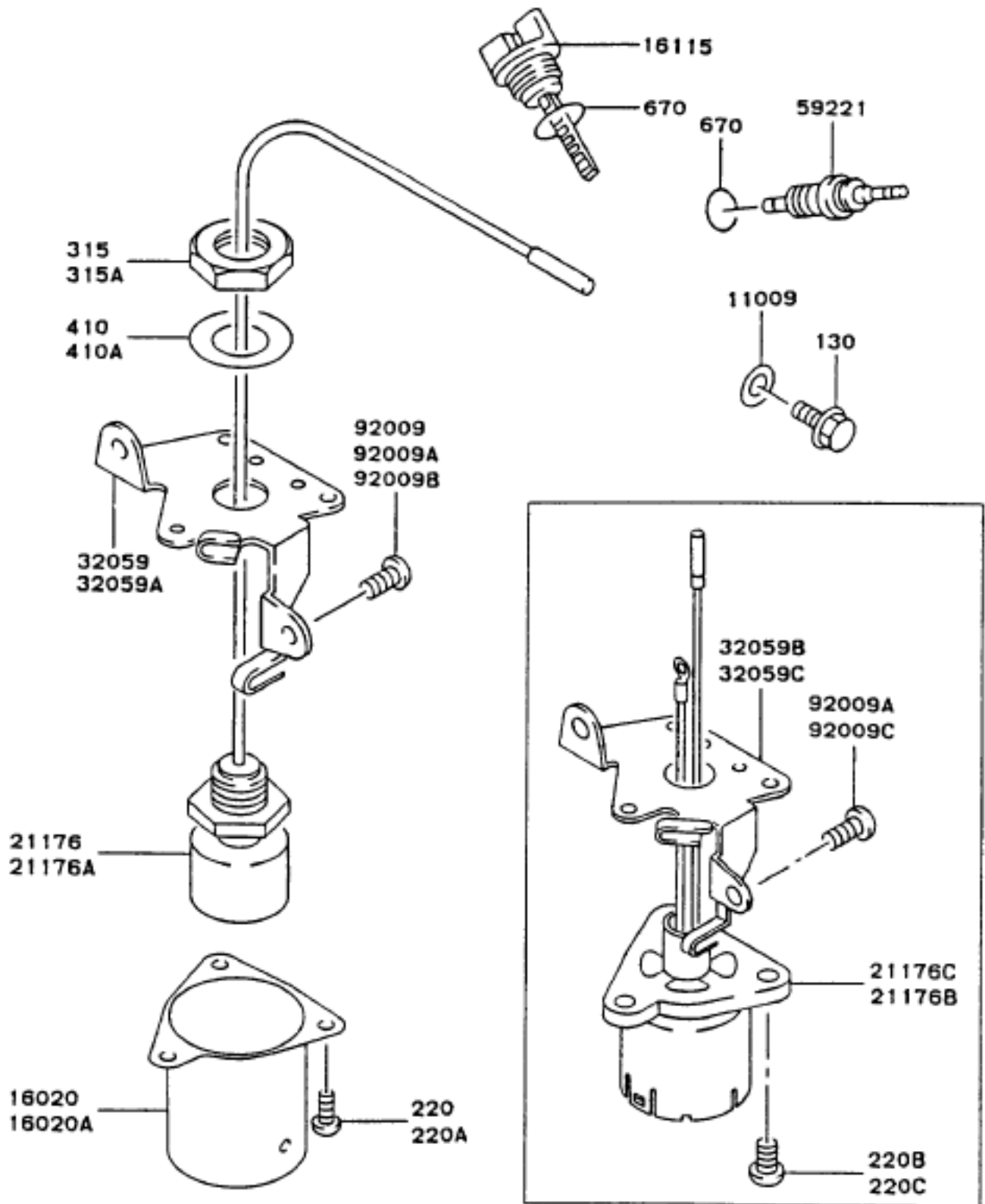
Unleaded Only

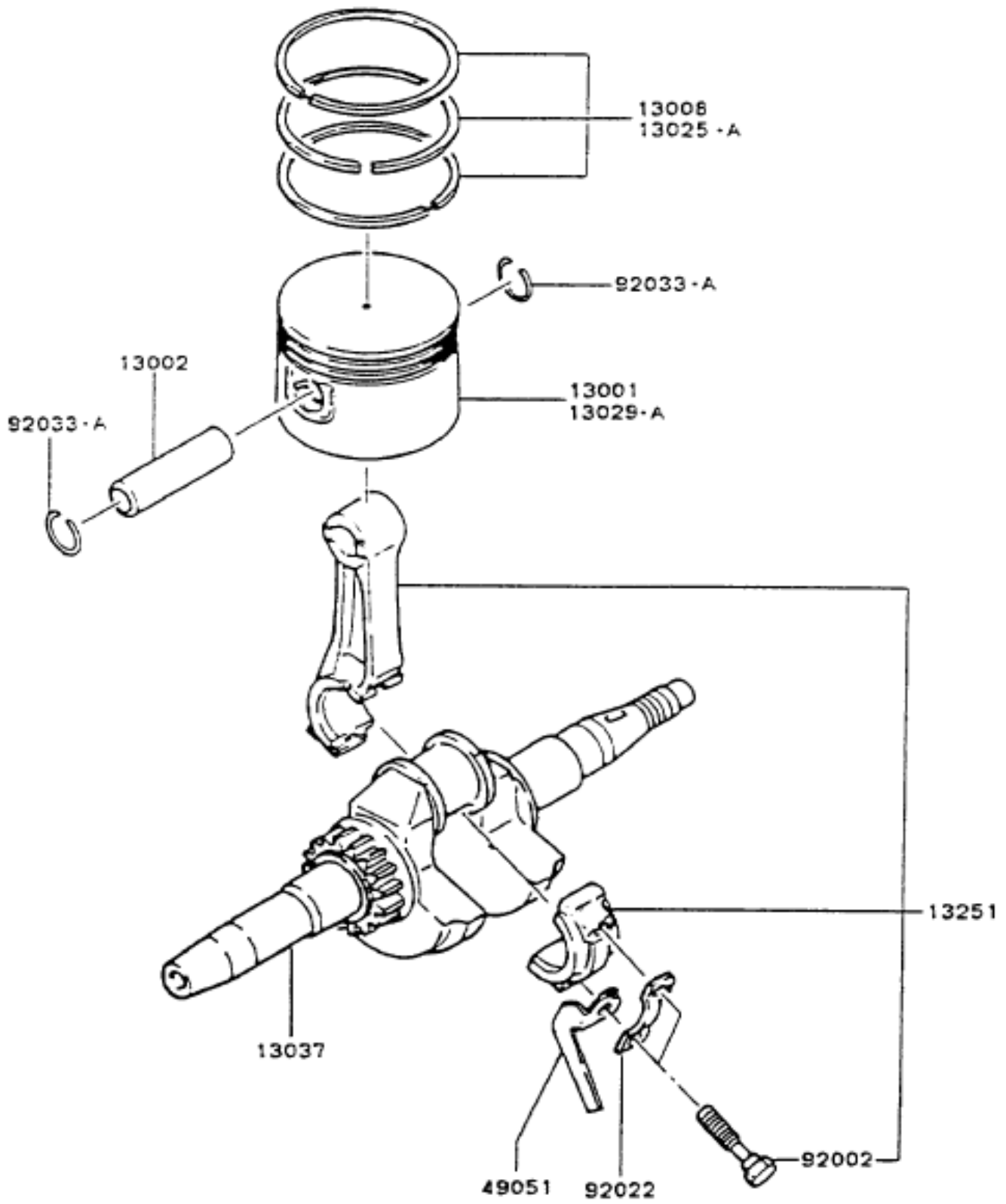
56040A

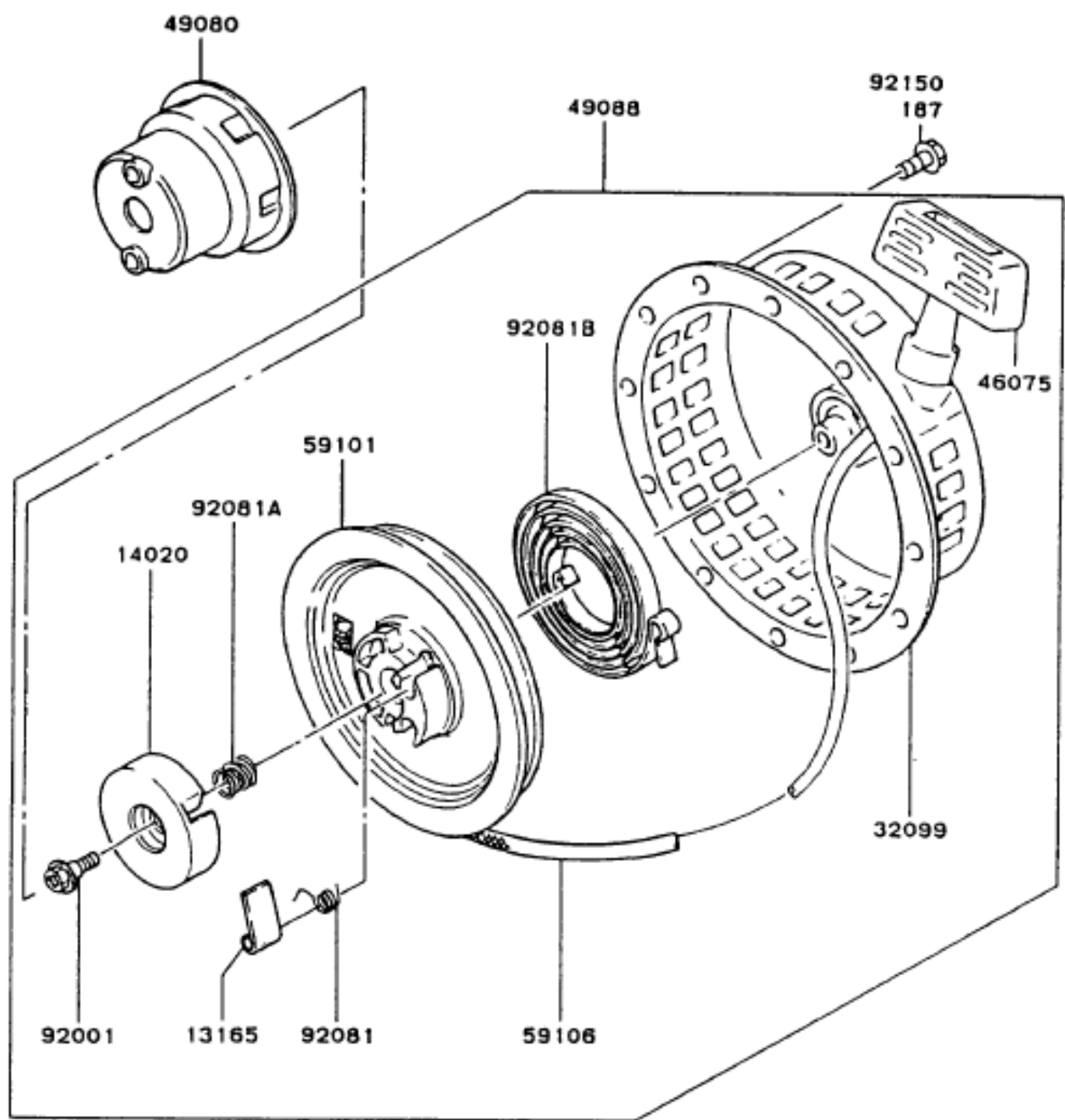




E0140-2107A







E0210-2097D

