

220700 to 220799

Illustrated Parts List

Model Series

220700 to 220799

TYPE NUMBERS

0016 and 0026
0111 through 0164
0516, 0526, 0611,
0618, 0619
0630 through 0657
0668 through 0670

TO FIND

THE CORRECT NUMBER OF THE PART YOU NEED:

FOLLOW THE INSTRUCTIONS BELOW

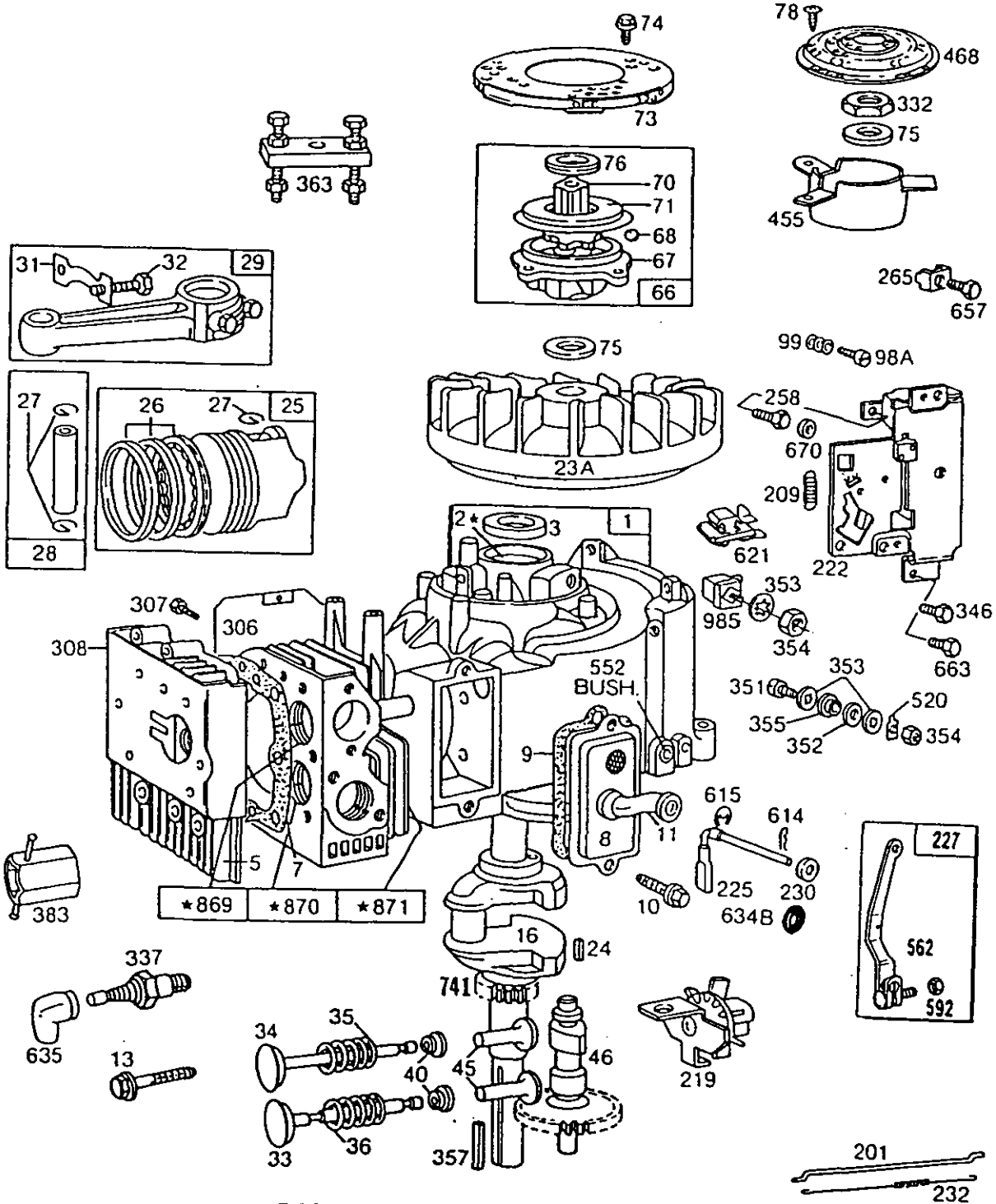
- A. Refer to Engine Model, Type and Code Number that is stamped on the blower housing of engine. Engine type numbers such as 012301 are listed herein only as 0123. The two digits (01 or 02, etc.) to the right of the space are not needed for parts identification. Then use the *Illustrated Parts List covering the Model Series*.
- B. Refer to Illustrated Parts section and compare the old part with illustration. The number on the illustration is the Reference Number. Assemblies include all parts shown in frames. All parts shown in assembly frames on which individual reference numbers are given can be purchased separately.
- C. After the Reference Number has been identified, refer to the Numerical Parts List, where Reference and Master Part Number are listed. **THE MASTER PART IS USED ON ALL TYPE NUMBERS EXCEPT THOSE TYPE NUMBERS UNDER "NOTE"**.
- D. If a "Note" appears below the Master Part Number, this means that this part differs from the Master Part for certain types. If the Type number is listed under "Note", order the part referred to.
- E. *If the Engine Type Number does not appear after any part number listed under "Note", use the Master Part Number.*
- F. For Type Numbers higher than those covered by this book, please refer to the factory if you are unable to identify the part by comparison.

PRINTED IN U S A



COPYRIGHT ©

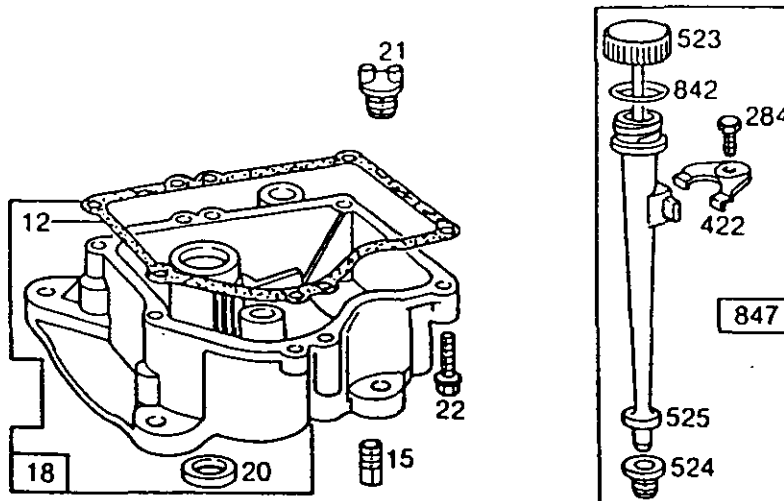
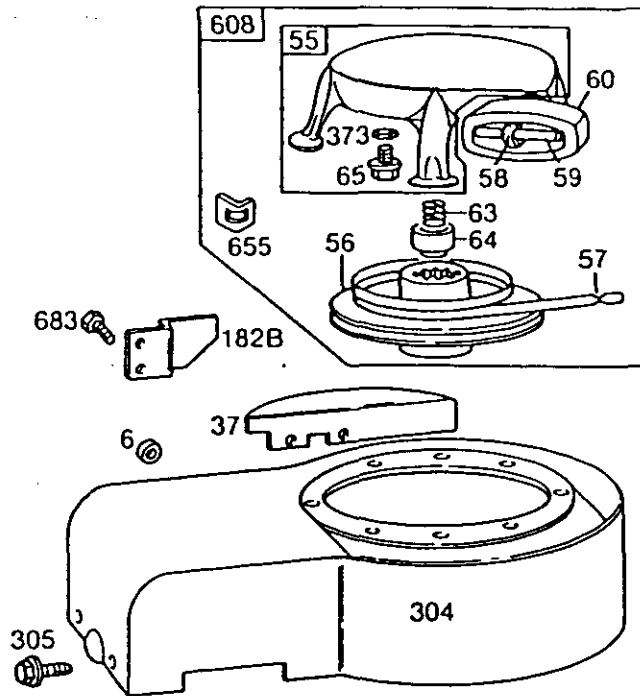
220700 to 220799



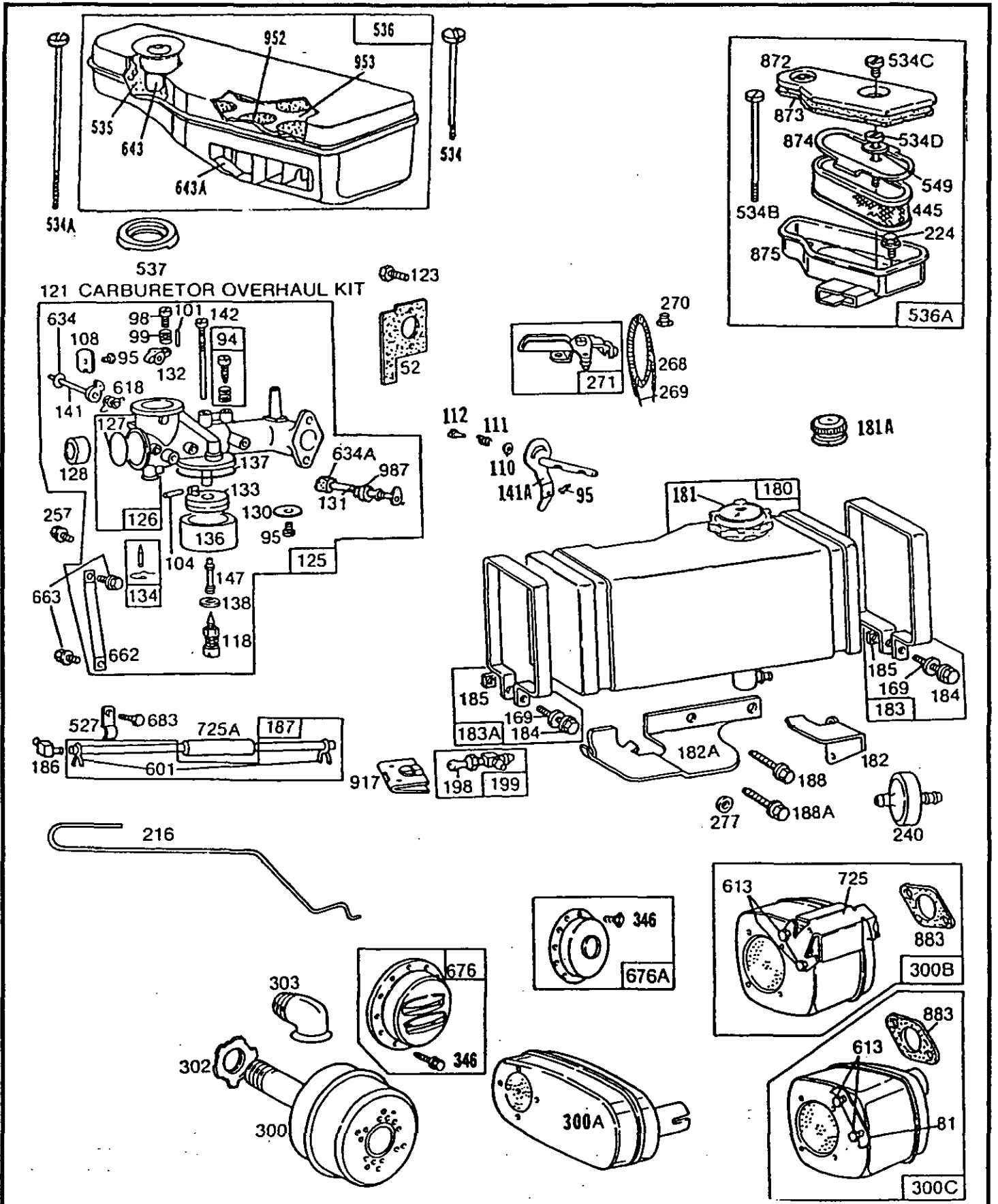
1019 LABEL KIT

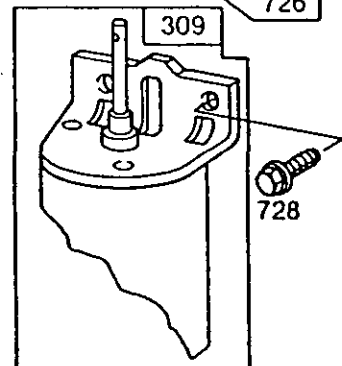
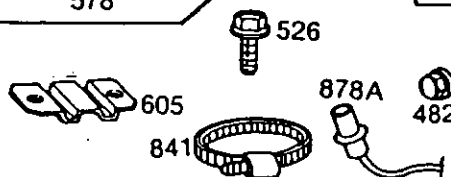
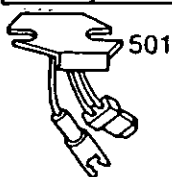
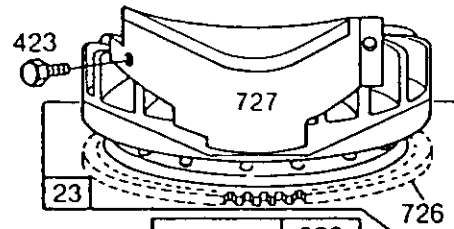
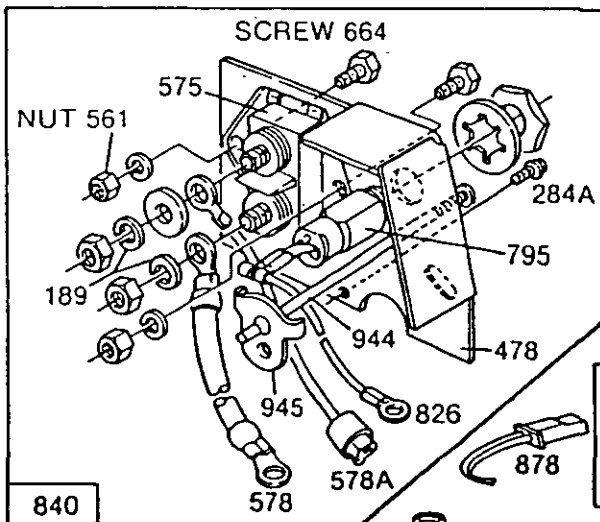
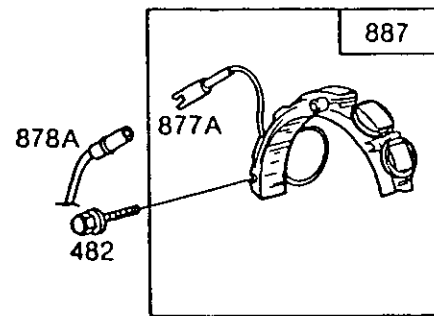
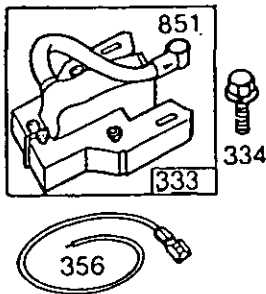
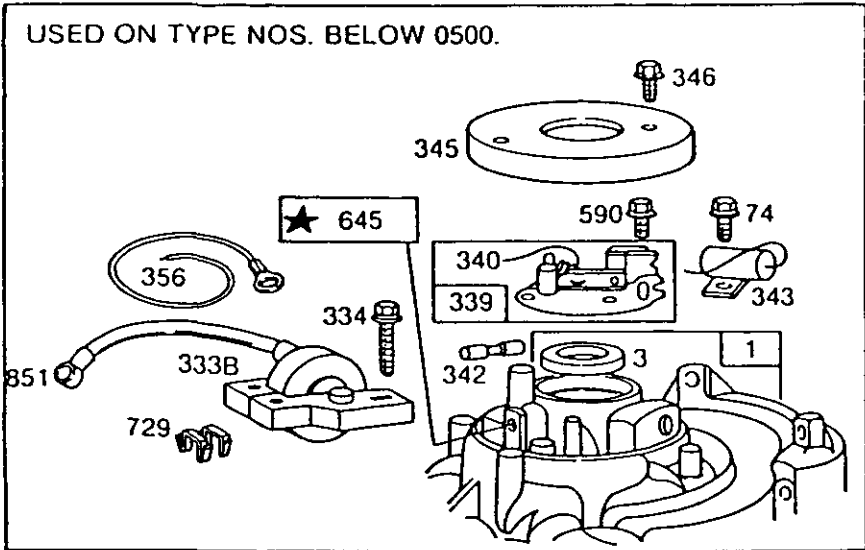
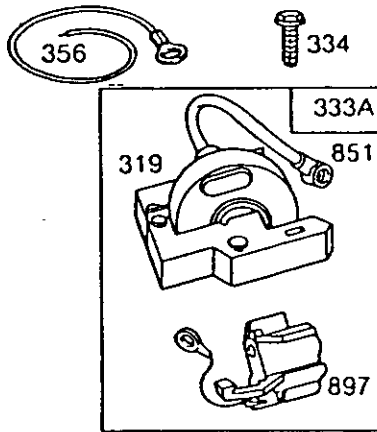
358 GASKET SET

*REQUIRES SPECIAL TOOLS TO INSTALL.
SEE REPAIR INSTRUCTION MANUAL.

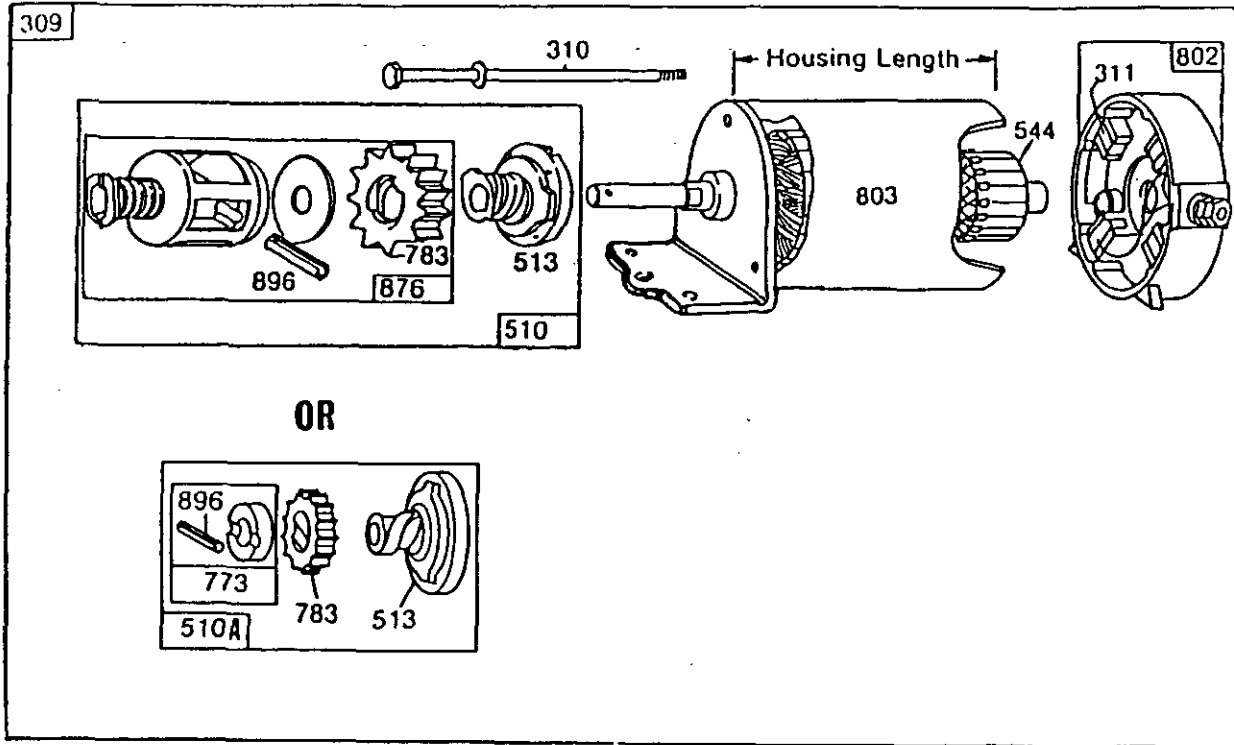


220700 to 220799





220700 to 220799



Reference Number		309	310	311	510	510A	544	801	802	803
Manufacturer		Motor and Drive Ass'y.	Thru Bolt Assembly	Brush Assembly	Drive Assembly	Drive Assembly	Armature Assembly	Drive End Cap Assembly	End Cap Ass'y. Commutator	Housing Assembly
Briggs & Stratton	Housing Length									
	†12V 3-13/16"	394943	391790	394747	-	391461**	391160	392061	391172	391167
	†12V 3-1/16"	394805	391706	391705	-	391461**	390837	392061	390846*	392744
	12V 4-3/8"	394943	94004	395538	396865***	-	391160	394857	395537*	394544
United Technologies	12V 3-21/32"	394805	94003	395538	396865***	-	390837	394857	395537*	393825
	12V 3-15/32"	394805	-	492020	490421††	-	-	394857	492021*	-

*Includes Brush Set

**Includes #391135 Clutch Assembly (Ref. No. 513)
 #280104 Gear (Ref. No. 783)
 #391462 Retainer and Pin (Ref. No. 773)
 #93754 Roll Pin (Ref. No. 896)

***Includes #391135 Clutch Assembly (Ref. No. 513)
 #280104 Gear (Ref. No. 783)
 #393254 Retainer and Pin (Ref. No. 876)
 #93754(Black) or 94288(Yellow) Roll Pin (Ref. No. 896)

††Includes #398003 Clutch Assembly (Ref. No. 513)
 #280104 Gear (Ref. No. 783)
 #490467 Retainer Kit (Ref. No. 876)
 #94288 Roll Pin (Ref. No. 896)

NOTE: Style Identification of 12 Volt Motors. New Style: Thru Bolt Heads are Located on the Brush End Head Side.
 †Old Style: Brush End Head is 13/16" Wide.

REF. NO.	PART NO.	DESCRIPTION	REF. NO.	PART NO.	DESCRIPTION	REF. NO.	PART NO.	DESCRIPTION
1	396295	Cylinder Assembly Used on Type Nos. 0500 and up.		491638	Crankshaft Used on Type No. 0634.	36	26828	Spring—Exhaust Valve
	Note:	393863 Cylinder Assy. Used on Type Nos. 0500 and below.		491641	Crankshaft Used on Type Nos. 0635, 0643, 0646, 0647, 0652.	37	222475	Guard—Flywheel
2	261623	Bushing—Cylinder					Note:	223182 Guard— Flywheel Used on Type No. 0146.
	Note:	Requires special tools for installation	18	391784	Base—Engine	40	221596	Retainer—Intake Valve
3	391086	Seal—Oil	20	291675	Seal—Oil	45	261183	Tappet—Valve
5	212366	Head—Cylinder	21	66768	Plug—Oil Filler	46	212296	Gear—Cam
6	22963	Washer—Flat	22	93585	Screw—Base Mounting Sem	52	* 270872	Gasket—Carburetor Mounting
7	* 271075	Gasket—Cylinder Head	23	391988	Flywheel and Ring Gear Assy.—Magneto	55	393576	Housing—Rewind Starter (Includes 63" Rope)
8	391406	Breather Assembly	23A	392157	Flywheel—Magneto (For Rope and Rewind Starter Engines)	56	295871	Pulley—Rewind Starter
9	* 27803	Gasket—Valve Cover	24	222698	Key—Flywheel	57	490179	Spring—Rewind Starter
10	93394	Screw—Sem	25	391285	Piston Assy.—Standard	58	66884	Rope—Rewind Starter
11	280100	Tube—Breather		391287	Piston Assembly— .010" O.S.	59	230228	Pin—Starter Grip
12	* 270808	Gasket—Crankcase Cover—1/64" thick		391288	Piston Assembly— .020" O.S.	60	66728	Grip—Starter Grip
	* 270915	Gasket—Crankcase Cover—.005" thick		391289	Piston Assembly— .030" O.S.	63	260414	Spring—Ratchet
	* 270916	Gasket—Crankcase Cover—.009" thick				64	230543	Adapter—Ratchet Spring
13	93723	Screw—Cylinder Head (3" long)				65	93067	Screw—Rewind Starter Housing Mounting (3/8" long)
	Note:	93781 Stud—Cylinder Head 22963 Washer Used on Type Nos. 0133, 0134, 0135, 0136, 0137, 0143, 0144, 0150, 0630, 0631, 0636, 0650, 0652.				66	399671	Clutch Assy.—Rewind Starter
15	91084	Plug—Oil Drain				67	394897	Housing
16	491643	Crankshaft (Used after Code Date 82073100)				68	63770	Ball—Clutch
	Note:	To Replace Crankshaft Gear Key, order Part No. 94196. 261505 Crankshaft Used on Type Nos. 0131, 0133, 0134, 0139, 0142, 0145, 0150, 0163. 261628 Crankshaft Used on Type No. 0141.				70	298799	Ratchet—Rewind Starter Clutch
						71	221653	Washer—Retainer
						73	221796	Screen—Rotating
						74	93042	Screw—Sem
						75	224061	Washer—Spring
						76	68238	Washer—Ratchet Sealing
						78	93805	Screw—Sem
						81	223016	Lock—Muffler Screw
						94	† 292681	Valve Assembly— Carburetor Idle
						95	93499	Screw—Throttle and Choke Valve Mtg. Sem
						98	91920	Screw—Machine, Fill. Hd. 8-32 x 5/8"
						98A	90200	Screw—Machine, Fill. Hd. 8-32 x 1/2"
						99	26157	Spring—Compression
						101	93043	Pin—Throttle Stop
						104	† 230896	Pin—Float Hinge
						108	222010	Valve Choke
						110	220899	Washer—Choke Lever
						111	26229	Spring—Choke Lever
						112	23270	Screw—Choke Lever

* Included In Gasket Set—Part No. 393411

† Included In carburetor Overhaul Kit—Part
No. 299852

220700 to 220799

REF. NO.	PART NO.	DESCRIPTION	REF. NO.	PART NO.	DESCRIPTION	REF. NO.	PART NO.	DESCRIPTION
118	† 396568	Valve—Needle (Used after Code Date 83051500.) Note: 391233 Valve—Needle (Used before Code Date 83051600.)	180	390225	Tank Assembly—Fuel (3 Quart) Note: 399092 Tank Assy.—Fuel Used on Type No. 0630.			Note: 261609 Link—Governor (Used before Code Date 87030200 and after Code Date 82110200.) 261198 Link—Governor (Used before Code Date 82110300.)
121	299852	Carburetor Overhaul Kit	181	397975	Cap—Fuel Tank (2-1/4" I.D.) (Non-Metal) (Used after Code Date 85113100)	209	260695	Spring—Governor (Used after Code Date 87030100.) 261306 Spring—Governor (Used before Code Date 87030200.) Note: 260871 Spring—Governor (Used after Code Date 87030100.) 261129 Spring—Governor (Used before Code Date 87030200.) on Type Nos. 0516, 0611, 0618, 0619, 0631, 0656. 261126 Spring—Governor (Used after Code Date 87030100.) 260871 Spring—Governor (Used before Code Date 87030200.) on Type Nos. 0643, 0653. 261126 Spring—Governor (Used after Code Date 87030100.) 261306 Spring—Governor (Used before Code Date 87030200.) on Type Nos. 0634, 0636, 0638, 0639, 0655. 261130 Spring—Governor (Used after Code Date 87030100.)
123	93357	Screw—Carburetor Mtg.	181A	392300	Cap—Fuel Tank (1-9/16" I.D.) (Metal) (Used before Code Date 85120100)			
125	391788	Carburetor Assembly (Choke-A-Matic) Note: 491028 Carburetor Assembly (Remote & Manual Choke) (Used after Code date 87030100.) 391789 Carburetor Assembly (Used before Code Date 87030200.) on Type Nos. 0111, 0118, 0119, 0146, 0151, 0611, 0618, 0619, 0637, 0668.	182	222980	Bracket—Fuel Tank (R.H.)			
			182A	222979	Bracket—Fuel Tank (L.H.) Note: 223157 Bracket—Fuel Tank 93294 Screw—Sem Used with 222979 Bracket on Type Nos. 0141, 0147, 0633, 0634, 0651.			
126	391787	Body Assembly Carburetor (271013 Foam Washer (2) Included)	182B	222971	Bracket—Fuel Tank Support			
127	† 221997	Plug—Welch	183	390406	Strap Assy.—Fuel Tank (R.H.)			
128	211960	Venturi—Carburetor	183A	390405	Strap Assy.—Fuel Tank (L.H.)			
130	222433	Valve—Throttle	184	93803	Screw—Hex. Hd.			
131	491006	Shaft and Lever— Throttle	185	90970	Nut—Square, 1/4-20			
132	211712	Stop—Throttle	186	67218	Connector—Fuel Pipe			
133	299707	Float—Carburetor	187	296004	Pipe—Fuel (23" long) Note: 393815 Pipe—Fuel (11" long)			
134	† 394681	Valve—Fuel Inlet	188	93535	Screw—Sem (5/16"-18 x 3/4")			
136	221995	Bowl—Float	188A	93634	Screw—Sem (5/16"-18 x 7/8")			
137	† 270511	Gasket—Float Bowl	189	90366	Lockwasher			
138	† 222014	Washer—Float Bowl	198	293934	Valve—Fuel Shut-Off			
141	390684	Shaft and Lever—Choke	199	390303	Connector—Fuel Pipe			
141A	299647	Shaft and Lever— Manual Choke	201	262348	Link—Governor (Used after Code Date 87030100.)			
142	† 299740	Nozzle—Carburetor						
147	† 231323	Screw—Nozzle (Used after Code Date 83051500.) Note: 230932 Screw—Nozzle (Used before Code Date 83051600.)						
169	90832	Washer—Lock— 1/4 x 3/32 x 5/64"						

† Included in carburetor Overhaul Kit—Part No. 299852

220700 to 220799

REF. NO.	PART NO.	DESCRIPTION	REF. NO.	PART NO.	DESCRIPTION	REF. NO.	PART NO.	DESCRIPTION
		260871 Spring—Governor (Used before Code Date 87030200.) on Type Nos. 0657, 0669, 0670.			Note: 391733 Lever Assy.—Governor (Used before Code Date 87030200.)			94186 Screw (Guard to Muffler)
216	261610	Link—Choke (Used after Code Date 82130200.)	230	222450	Washer—Governor Crank (1/4" I.D.)	300C	394170	Muffler—Exhaust
		Note: 261274 Link—Choke (Used before Code Date 82110300.)	232	260584	Spring—Governor Link (Used after Code Date 82110200.)	302	261564	Locknut—Muffler
219	490815	Oil Slinger, Governor Gear and Bracket Assembly			Note: 261197 Spring—Governor Link (Used before Code Date 821110300.)	303	91308	Elbow—Muffler—90°, Street
222	390784	Plate—Governor Control (Choke-A-Matic [®]) (Used after Code Date 85041400.)	240	298090	Filter—Fuel	304	391556	Housing—Blower
		491594 Plate—Governor Control (Used before Code Date 85041500 and after Code Date 82110200.)			Note: 394358 Filter—Fuel Used on Type No. 0643.	305	93158	Screw—Blower Housing Mounting Sem
		396349 Plate—Governor Control (Not Illustrated) (Used before Code Date 82110300.)	257	93543	Screw—Control Casing to Carburetor	306	222744	Shield—Cylinder
		Note: 491593 Plate—Governor Control (Remote and Manual Choke) (Used after Code Date 82110200.)	258	93686	Screw—Control Bracket Mounting	307	93163	Screw—Cylinder Shield Mtg. Sem
		396349 Plate—Governor Control (Not Illustrated) (Used before Code Date 82110300.) Used on Type Nos. 0111, 0118, 0119, 0146, 0151, 0611, 0619, 0637, 0668.	265	221535	Clamp—Casing	308	222725	Cover—Cylinder Head
224	94018	Screw—Sem	268	65616	Casing—Control Wire—72" long	309		Motor—Starting (12 Volt) See Chart on Illustrated Pages for Replacement Parts for Starting Motors.
225	231058	Crank—Governor (1/4" dia.)			Note: If longer casing is required, specify length in inches; if shorter casing is needed, Order No. 65616 and cut to required length.	319	395326	Armature Assembly (Less Trigger Coil)
227	490927	Lever Assy.—Governor (for 1/4" dia. Crank) (Used after Code Date 87030100.)	269	26633	Wire—Control—78" long	332	92284	Nut—Hex.
					Note: If longer wire is required, specify length in inches; if shorter wire is needed, Order No. 26633 and cut to required length.	333	398811	Armature—Magneto
			270	63426	Locknut—Control Wire Casing	333A	395492	Armature Group (MAGNETRON [®] Ignition)
			271	290568	Lever Assy.—Control	333B	298968	Armature Assembly (For Points and Condenser)
			277	22776	Washer—Flat	334	93381	Screw—Armature Mounting Sem
			284	93804	Screw—Clamp Mtg.	337	298809	Plug—Spark (1-1/2" high—37-42 M.M.)
			284A	93572	Screw—Thread Forming			Note: 293918 Plug—Spark (Resistor Type) (1-1/2" high—37 M.M.)
			300	391569	Muffler—Exhaust	339	391284	Breaker Assembly—Ignition
			300A	392101	Muffler—Exhaust	340	26018	Spring—Breaker Arm
			300B	491413	Muffler—Exhaust	342	65704	Plunger—Breaker Point
					Note: 398247 Guard—Muffler Includes: 93587 Screw (Guard to Cylinder Head)	343	29861	Condenser
						345	222309	Cover—Breaker Point
						346	93705	Screw—Sem
						351	93735	Screw—Terminal
								Note: 91920 Screw—Terminal Used on Type Nos. 0131, 0133, 0134, 0136, 0140, 0141, 0142, 0145, 0148,

220700 to 220799

REF. NO.	PART NO.	DESCRIPTION	REF. NO.	PART NO.	DESCRIPTION	REF. NO.	PART NO.	DESCRIPTION
		0150, 0161, 0163, 0164, 0632, 0634, 0635, 0640, 0641, 0643, 0644, 0645, 0646, 0647, 0652, 0657.	549	270978	Washer—Air Cleaner	662	222311	Bracket—Carburetor
352	66068	Washer—Insulating	552	231597	Bushing—Governor Crank (1/4" I.D.) (Used after Code Date 88041700)	663	93572	Screw
353	92791	Washer—Lock— Shakeproof		Note:	231055 Bushing— Governor Crank (Used before Code Date 88041800)	664	93415	Screw—Sem
354	90576	Nut—Hex.—8-32	561	92278	Nut—Hex. (1/4-20)	670	231039	Spacer—Control Bracket Mounting
355	66554	Collar—Insulating	562	92613	Bolt—Governor Lever	676	393761	Deflector—Muffler Note: 397630 Deflector— Muffler Used on Type Nos. 0645, 0648.
356	398808	Wire—Ground	575	299139	Switch—Starting	676A	396903	Deflector—Muffler
357	91540	Key—Puller	578	392683	Wire—Starter Switch	683	93572	Screw
358	393411	Gasket Set	578A	393109	Wire—Switch (Starter Switch to Alternator)	725	223023	Shield—Muffler
363	19203	Puller—Flywheel	590	93226	Screw—Breaker Adjusting Sem	725A	222175	Shield—Heat
373	92987	Nut—Hex.	592	231082	Nut—Hex., 10-24	726	392134	Gear—Ring (Includes Mounting Parts)
383	89838	Wrench—Spark Plug	601	93053	Clamp—Fuel Pipe	727	395405	Cover—Starter (Includes Mounting Screws)
422	222502	Clamp—Oil Filler Tube	605	222934	Bracket—Regulator	728	93535	Screw—Sem
423	93984	Screw—Sem Note: 93410 Screw—Sem Used with Metal Starter Cover	608	390391	Starter Assembly— Rewind	729	221907	Clip—Wire
445	393725	Cartridge—Air Cleaner	613	93927	Screw—Muffler Mtg.	741	262135	Gear—Timing
455	222561	Cup—Screen Mounting	614	93306	Cotter—Hair Pin	795	392697	Switch—Ignition (Toggle) Uses: 93888 Nut—Hex. Note: 392833 Switch—Ignition (Key)
468	222562	Screen—Flush Rotating	615	93307	Retainer—E-Ring	826	392684	Wire—Panel (Starter Switch to Ground Wire Terminal)
474	393474	Stator—Alternator (Dual Circuit) Note: 393295 Stator— Alternator (10 Amp.) (Uses Ref. 878A)	618	261116	Spring—Choke Return	836	93559	Screw—Hex. Head
478	395410	Panel—Instrument Use 222751 Starter Panel on Engines before Code No. 81102100.	621	396847	Switch—Stop (Used after Code Date 85041400.) Note: 297472 Switch—Stop (Used before Code Date 85041500.)	840	395408	Panel Kit—Starter (Toggle Switch) Note: 395409 Panel Kit— Starter (Key Switch) Use 392725 Starter Panel Kit on Engines before Code Date 81102100.
482	93621	Screw—Sem	634	270382	Washer—Choke Shaft	841	393514	Clamp—Regulator
501	393374	Regulator—Alternator (10 Amp.)	634A	271853	Washer—Throttle Shaft (Foam) Note: 271013 Washer— Throttle Shaft (Foam) (Used before Code Date 86031900.)	842	270920	Seal—Oil Filler Cap
520	93722	Terminal—Spade	634B	491323	Seal—Oil (Gov. shaft) (Used after Code Date 88041700)	847	392067	Fill Group—Oil
523	391841	Cap and Dipstick— Oil Filler	635	66538	Elbow—Spark Plug	851	221798	Terminal—Ignition Cable
524	68838	Seal—Filler Tube	643	222380	Cup—Air Cleaner Support	869	261463	Seat—Intake Valve (Standard)
525	280134	Tube—Oil Filler	643A	280118	Support—Air Cleaner Element	870	211661	Seat—Exhaust Valve (Standard)
526	93343	Screw—Regulator	645	23513	Bushing—Plunger	871	261961	Guide—Exhaust Valve Note: 231218 Guide—Exhaust Valve or Intake (Brass)
527	221428	Clamp (2)	655	222598	Anchor—Spring			
534	93622	Screw—Air Cleaner	657	93496	Screw—Sem			
534A	93323	Screw—Air Cleaner						
534B	93911	Screw—Air Cleaner						
534C	93913	Screw—Air Cleaner						
534D	93910	Screw—Air Cleaner						
535	270843	Element—Air Cleaner						
536	391786	Cleaner Assembly—Air						
536A	393749	Cleaner—Air						
537	270853	Gasket—Air Cleaner						

220700 to 220799

REF. NO.	PART NO.	DESCRIPTION	REF. NO.	PART NO.	DESCRIPTION	REF. NO.	PART NO.	DESCRIPTION
		See Repair Manual						
872	222943	Cover—Air Cleaner						
873	271232	Gasket—Air Cleaner						
874	222898	Plate—Air Cleaner Cartridge						
875	393726	Body—Air Cleaner						
877	393456	Diode and Connector Assembly						
877A	393814	Diode and Connector Assy. (D.C.)						
878	393362	Alternator Harness Assy. (Dual Circuit)						
878A	393422	Alternator Harness Assembly						
883	270917	Gasket—Exhaust Pipe						
887	391529	Stator Assembly— Alternator (D.C.)						
897	394970	Trigger Coil (MAGNETRON® Ignition)						
917	223271	Valve Handle— Fuel Shut-Off						
944	94003	Bolt						
945	223159	Bracket—Instrument Panel						
952	222495	Spacer—Air Cleaner						
953	222382	Screen—Air Cleaner						
985	398525	Insulator Assembly						
987	398970	Seal—Throttle Shaft (Used after Code Date 86031800)						
1019	491194	Label Kit						