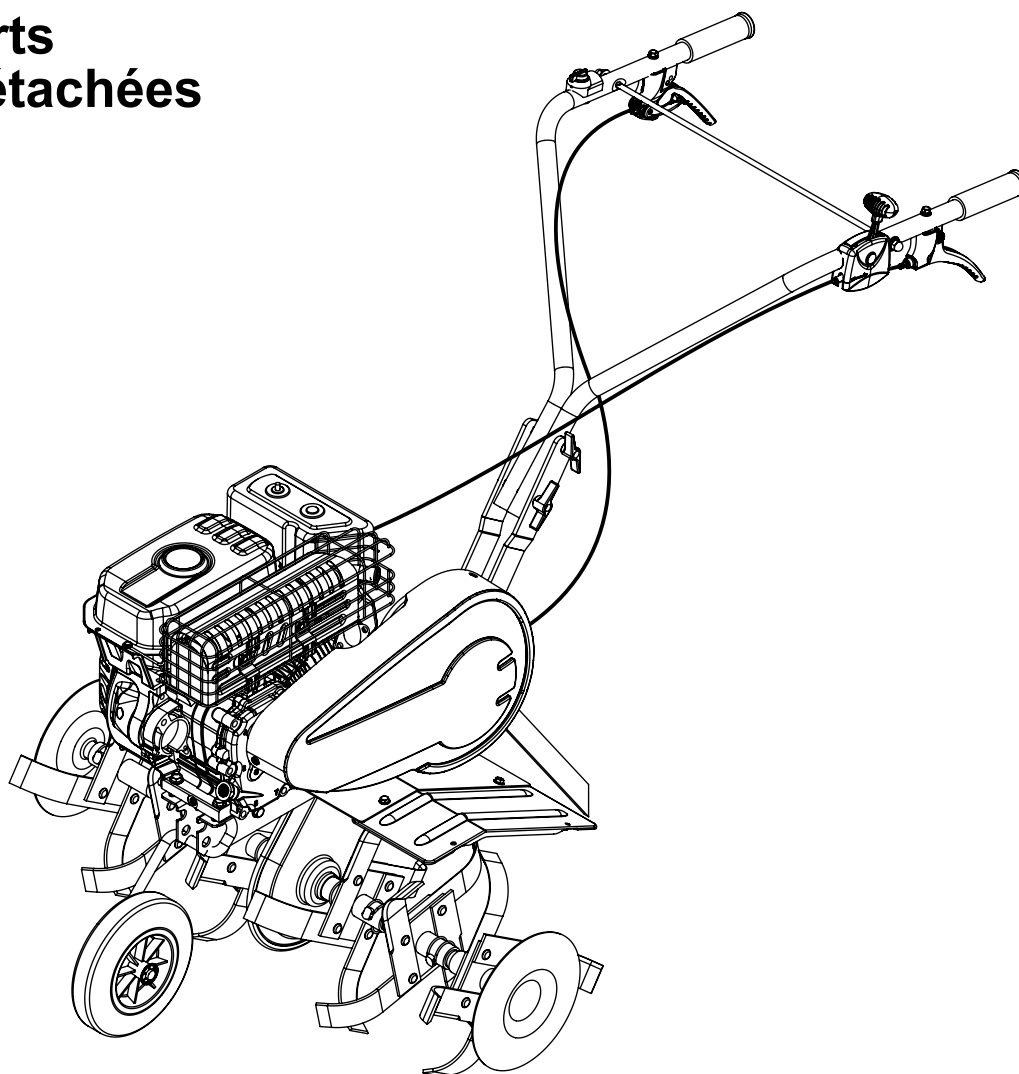


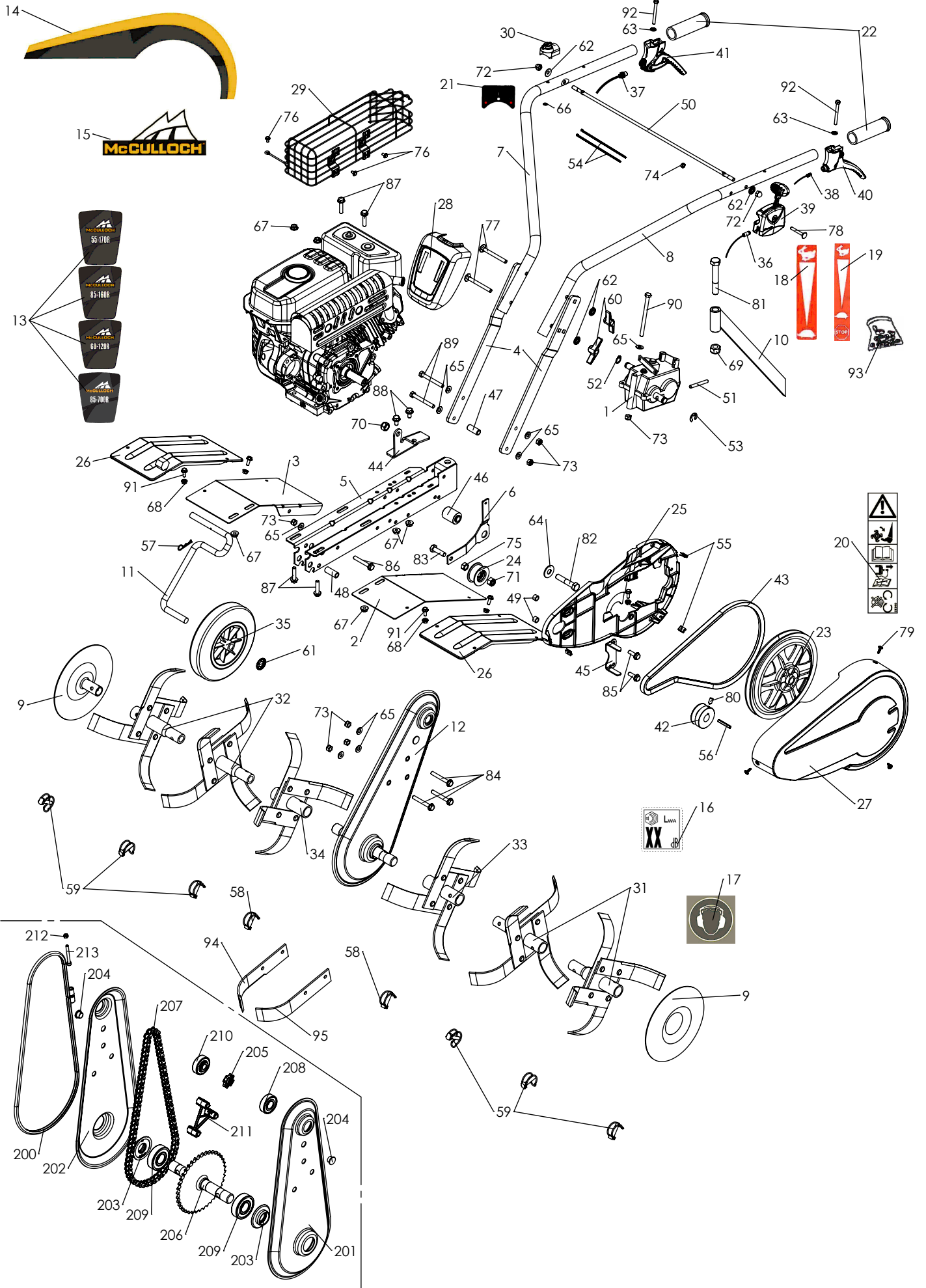
MFT55 170R : Loncin Lc170F
MFT60 120R : Honda GX120
MFT85 160R : Honda GX160
MFT85 700R : Briggs 750

Spare parts
Pièces détachées



REPAIR PARTS

TILLER - MODEL NO. MFT55 170R / MFT60 120R / MFT85 160R / MFT85 700R , PRODUCT NO. 577 49 01-01



REPAIR PARTS

TILLER - MODEL NO. MFT55 170R / MFT60 120R / MFT85 160R / MFT85 700R , PRODUCT NO. 577 49 01-01

Rep N°	Ref.	Description	Désignation	Moteur Engine	Qte
1	585 36 50-01	KIT REVERSE GEAR BOX (06-2012)	KIT INVERSEUR MOTOB (06-2012)		1
2	577 48 79-01	LEFT TINE GUARD COMPACT EVO BLACK RAL9005	TOLE PROTECTION GAUCHE NOIR RAL9005		1
3	577 48 78-01	RIGHT TINE GUARD COMPACT EVO BLACK RAL9005	TOLE PROTECTION DROITE NOIR RAL9005		1
4	577 48 75-01	HANDLEBAR BRACKET 40x6 BLACK RAL9005	PLAT POTENCE GUID 40x6 NOIR RAL9005		2
5	577 48 74-01	FRAME OF COMPACT EVO BLACK RAL9005	CHASSIS COMPACT EVO NOIR RAL9005		1
6	577 45 33-01	PLATE FOR CLUTCH LEVER	LEVIER D'EMB COMPACT EVO		1
7	577 48 77-01	RIGHT HANDELBAR x BLACK WITH GAP 500MM	GUIDON DROIT COMPACT x Noir ENTRAXE 500MM		1
8	577 48 76-01	LEFT HANDELBAR x BLACK WITH GAP 500MM	GUIDON GAUCHE COMPACT x Noir ENTRAXE 500MM		1
9	519 65 33-62	DISK D25 BLACK RAL9005	DISQUE D25 NOIR RAL9005		2
10	531 00 82-06	SPUR FOR PRIMO BLACK RAL9005	EPERON PRIMO NOIR RAL9005		1
11	577 44 80-01	TRANSPORT WHEEL SUPPORT WIRE D14 ZNCR3	SUPPORT ROUE FIL DIA14 ZNCR3		1
12	575 35 87-01	Transmission, Grey flanged	CART 1/5 JONC xGRIS8x / Jt Bleu/Ch Elite		1
13	585 36 51-01	STICKER MC CULLOCH 85-700R 85 x 100 mm	ETIQ McCULLOCH 85-700R 85 x 100 mm		1
13	577 48 97-01	STICKER MC CULLOG 85-160R 85 x 100 mm	ETIQ McCULLOCH 85-160R 85 x 100 mm		1
13	577 48 96-01	STICKER MC CULLOCH 60-120R 85 x 100 mm	ETIQ McCULLOCH 60-120R 85 x 100 mm		1
13	577 48 95-01	STICKER MC CULLOCH 55-170R 85 x 100 mm	ETIQ McCULLOCH 55-170R 85 x 100 mm		1
14	577 48 94-01	STICKER LOGO MC CULLOCH 365 x 125 mm	ETIQ CONTOUR CAPOT McCULLOCH 365 x 125 mm		1
15	577 48 93-01	STICKER MC CULLOCH 195 x 125 mm	ETIQ LOGO McCULLOCH 195 x 125 mm		1
16	587 69 99-01	STICKER NOISE LEVEL '100Db'	ETIQ. "NIVEAU DE BRUIT" 100 dB	LC170/GX160/750 SERIES	1
16	501 96 25-01	STICKER NOISE LEVEL '93Db'	"ETIQ. ""NIVEAU DE BRUIT"" 93	GX120	1
17	577 46 33-01	SAFTY STICKER EARS PROTECTION	ETIQ. "SECURITE" 31x31 MM PROTECTION AUDITIVE		1
18	519 64 66-80	STICKER THROTTLE CONTROL STOP-MIN-MAX	ETIQ. POIGNEE GAZ (AVEC STOP)	750 SERIES	1
19	531 00 82-51	Label throttle control without stop	ETIQ. GAZ (SS STOP)VERS PNEUM DIM 42X11	LC170/GX	1
20	531 00 85-40	STICKER SECURITY	"ETIQ. ""SECURITE 5 LOGOS""Xce		1
21	501 96 37-01	STICKER SWITCH ON/OFF GX	"ETIQ. ""MARCHE/ARRET""/SWITCH DIM 20 X 15	LC170/GX	1
22	544 31 14-01	HAND SIDE GRIP	POIGNEE PLASTIQUE DIAM 25 CB		2
23	519 65 30-60	TRANSMISSION PULLEY	POULIE POLYA. xINV MECAX		1
24	519 65 34-57	CLUTCH RUNNER ROUL 6200 ZZ	GALET 2 EPAULEMENTS ROUL 6200 ZZ		1
25	577 52 48-01	PLASTIC COVER PLATE COMPACT EVO (REVERSE)	CACHE INT COMPACT EVO MAR		1
26	577 48 85-01	ADD. TINE GUARD xBLACK RAL9005	EXTENTION TOLE PROT COMPACT EVO NOIR RAL9005		2
27	577 48 87-01	BELT COVER BLACK RAL9005 COMPACT	CAPOT COURROIE ECO+99 xNOIRx		1
28	577 48 90-01	BRACKET COVER COMPACT EVO BLACK RAL9005	CAPOT POTENCE NOIR RAL9005		1
29	577 54 63-01	EXHAUST GRILL LONCIN 212cc	GRILLE ECHAPP LONCIN 212cc	LC170	1
29	531 00 94-18	EXHAUST GRILL GX120/GX160	GRILLE ECHAP GX120/GX160	GX	1
30	531 00 85-58	Switch engine cut-off	SWITCH STOP GX	GX	1
30	577 51 77-01	SWITCH ON/OFF LONCIN	SWITCH ON/OFF LONCIN	LC170	1
31	531 00 82-14	LEFT ADDITIONAL TINE D25 STRAIGHT BLADE (40X4)	FRAISE ADDIT STD 40X4 GAUCHE		2
32	531 00 82-15	RIGHT ADDITIONAL TINE D25 STRAIGHT BLADE (40X4)	FRAISE ADDIT STD 40X4 DROIT		2
33	531 00 82-11	LEFT TINE REMOVABLE D25 STRAIGHT BLADE (40X4)	FRAISE DEPART DEM STD 40X4 GAUCHE		1
34	531 00 82-13	RIGHT TINE REMOVABLE D25 STRAIGHT BLADE (40X4)	FRAISE DEPART DEM STD 40X4 DROIT		1
35	577 44 78-01	BLACK WHELL D200 BORE 14 LG.60	ROUE 200 ALES 14 MOY 60 NOIR		1
36	577 52 50-01	Throttle cable Lg 1050mm stroke 60mm	CABLE GAZ x1050 xLF60 Z0° MANETTE LGC		1
37	577 46 37-01	CLUTCH CABLE LG1050 CF133 LAKS LEVER x CLIP TIP	CABLE EMB Lg 1050 CF 133 LAKS EMB CLIP		1
38	501 00 53-01	SELECT SPEED CABLE LAB HANDLEVER	CABLE INVERS VITESSE Motob LAB		1
39	577 45 30-01	THROTTLE LEVER LGC BLACK KNOB RAL9005	MANETTE GAZ LGC POMMEAU NOIR RAL9005		1
40	501 00 52-01	lever LAB Ø25 stroke 20	LEVIER EMB LAB C20 ECROU M6 TEMPO MAR		1
41	577 46 36-01	HANDLEVER LAKS C27 NUT M6 CLUTCHING SYMBOL	LEVIER EMB LAKS C27 ECROU M6 TEMPO EMBRAYAGE		1
42	544 24 39-01	ENGINE PULLEY D55 BORE Ø19,06	POULIE MOT D55 ALES 19,06		1
43	575 36 02-01	BELT BAREBACK 6841Gts A39 BBK	COURROIE BAREBACK 6841 Gts A39 BBK		1
44	577 52 51-01	SUPPORT FOR CLUTCH LEVER COMPACT EVO MAR	EQUERRE SUPPORT LEVIER EMBR COMPACT EVO MAR		1
45	531 00 85-77	DRIVE BELT ENGINE PULLEY D55	GUIDE COURROIE POULIE D55		1
46	577 45 34-01	SPACER FOR CLUTCH LEVER FT	ENTR. LEVIER EMBR FT		1
47	575 36 09-01	Spacer Ø9 x Ø14 x 34z	ENTR. 14x9x34 xZNCr3		1
48	575 36 10-01	SPACER 14x9x35 xZ	ENTR. 14x9x35 xZNCr3x ENTRETOISE CHASSIS		1
49	531 00 82-16	Spacer Ø13 x Ø9 x 8.5	ENTR. 13x9x8.5 ZN		2
50	577 45 24-01	HANDELBAR TIE GAP 500MM	BARRE GUIDON COMPACT FILETEE ENTRAXE 500MM		1
51	519 65 30-67	PULLEY PIN SHAFT MECANIQUE	AXE FIXATION POULIE INVERSEUR MECANIQUE		1
52	585 36 52-01	REINFORCE CIRCLIPS 13.5x1.5	CIRCLIPS AS 13.5x1.5 VERSION LOURDE		1
53	580 31 42-01	RADIAL RETAINING RING Ø12	ANNEAU ELASTIQUE RADIAL DIAM12 DIN6799		1
54	544 31 11-01	COLLAR	COLLIER POLYAM.3.6 X 140 NOIR		4
55	519 65 34-25	CLIPS 4.2	CLIPS PRESTOLE Z/VIS 4.2 EP 4		3
56	519 65 30-21	KEY 4.76X4.76X40 DRO TOL h 9 - XC 48	CLAVETTE 4.76X4.76X 40 BTS DRO TOL h 9 - XC 48		1
57	519 65 12-20	CLIP PIN BETA 2 Z	GOUPILLE BETA 2 Z x 50		1
58	577 45 36-01	CLIP PIN D10 x 36	GOUPILLE CLIPS 10 x 36		2
59	577 45 35-01	CLIP PIN D8 x 36	GOUPILLE CLIPS 8 x 36		6
60	531 00 84-62	Black handlebar tightening lever	POIGNEE SERR HELICO 68M8F10 NOIR M8 PA6.6		2
61	577 46 31-01	STARLOCK WASHER DIA 14	RONDELLE STARLOCK DIA 14		1

REPAIR PARTS

TILLER - MODEL NO. MFT55 170R / MFT60 120R / MFT85 160R / MFT85 700R , PRODUCT NO. 577 49 01-01

Rep N°	Ref.	Description	Désignation	Moteur Engine	Qte
62	544 31 49-01	CONTACT WASHER 8	RONDELLE CONTACT M8 NFE 25511		4
63	531 00 94-03	CONTACT WASHER 6	RONDELLE CONTACT 6 BIC NFE 25-511		2
64	577 45 39-01	PLATE WASHER M 12X32X2.5 Z	RONDELLE PLATE M 12X32X2.5 Z		1
65	544 20 81-01	PLATE WASHER M 8X18X1.5 Z NFE 25513	RONDELLE PLATE M 8X18X1.5 Z NFE 25513		9
66	531 00 85-39	Washer M 3.2x10x1 Z	RONDELLE PLATE 3.2x10x1 Z		1
67	519 65 34-30	NUT H M8 Z NOTCHED SHOULDER	ECROU HM 8 ZEMB CR DIN 6923-8		6
68	519 65 34-32	NUT H M6 Z NOTCHED SHOULDER	ECROU HM 6 ZEMB CR DIN 6923		5
69	531 00 85-78	Blocking nut M 14 Z DIN 985-8	ECROU FREIN M14 Z DIN 985-8		1
70	752 25 50-51	BLOCKING NUT M 12 Z	ECROU FREIN M 12 Z DIN 985/8		1
71	519 65 34-58	BLOCKING NUT M 10 Z	ECROU FREIN M 10 Z DIN 985/8		1
72	577 48 91-01	Cap blocking nut M8z	ECROU FREIN BORGNE M 8 Z DIN 986		2
73	544 20 79-01	BLOCKING NUT HM 8 Z DIN 985/8	ECROU FREIN M 8 Z DIN 985/8		7
74	732 26 16-01	BLOCKING NUT M 6 Z	ECROU FREIN M 6 Z DIN 985-8		1
75	519 65 34-56	NUT HM 10Z	ECROU H.U. M 10 Z DIN 934		1
76	519 65 30-48	Tensil screw TH 5x10 bic	VIS TENSIL TH CRANT 5X10 BIC	LC170	3
76	585 36 53-01	POZIDRIVE SCREW M6x13Z	VIS TOLE TCB POZI 6,3 X 13 Z	GX	1
76	585 36 54-01	POZIDRIVE SCREW M5x10Z	VIS METAUX TCB POZI 5X10 Z DIN 7985	GX	2
77	575 36 13-01	Screw TRCC M8x80 z DIN 603 cl 4.6	VIS TRCC 8 X 80/20 Z DIN603		2
78	577 45 38-01	SCREW TRCC 6 X 45 Z	VIS TRCC 6 X 45/20 Z Din603		1
79	519 65 34-26	SCREW POZI 4.2X16Z	VIS TOLE TETE POELIER D11 POZI Cr 4.2X16 Z		3
80	728 69 23-00	SCREW ST HC M8X16 DIN 914 45H	VIS STHC 8 X 16 N BT POINTU DIN 914 45H		1
81	531 00 82-20	Screw H M14x90-34 z cl 8.8 NFE 24014 - ISO 4014	VIS H 14 X 90/34 Z CL 8.8 NFE 24014 - ISO 4014		1
82	505 02 66-01	SCREW H 12x60/30 Z DIN 931/6.8	VIS H 12x60/30 Z DIN 931/6.8		1
83	519 65 34-55	SCREW HM 10X35Z FST	VIS H 10 X 35 FST Z NFEN 24017		1
84	573 94 31-01	SCREW H 8x60 Z DIN 6921 NOTCHED SHOULDER CL 6.8	VIS H 8x60 Z EMB CR DIN 6921 CL 6.8		3
85	573 94 25-01	SCREW H 8x25 Z DIN 6921 NOTCHED SHOULDER CL 6.8	VIS H 8x25 Z EMB CR DIN 6921 CL 6.8	LC170/750 SERIES	2
85	519 65 34-12	SCREW 5/16 TH24 UNF LG 25 NOTCHED SHOULDER	VIS 5/16 TH24 UNF1"(LG25)EMB C EMBASE CRANTEE 18	GX	2
86	575 36 16-01	SCREW H 8x55 Z DIN 6921 NOTCHED SHOULDER CL 6.8	VIS H 8x55 Z EMB CR DIN 6921 CL 6.8 FILETAGE PARTIEL		1
87	544 20 73-01	SCREW H 8x35 Z DIN 6921 NOTCHED SHOULDER CL 6.8	VIS H 8x35 Z EMB CR DIN 6921		4
88	531 00 82-02	SCREW H M8X16 Z NOTCHED SHOULDER CL 6.8	VIS H 8x16 Z EMB CR DIN 6921 CL 6.8		2
89	575 36 17-01	SCREW H 8 X 70/22Z DIN 931/6.8	VIS H 8 X 70/22Z DIN 931/6.8		2
90	519 65 30-45	Screw HM 8x110 z	VIS HM8x110/22Z ISO 4014 CL8.8		1
91	519 65 34-35	SCREW HM 6X16 Z NOTCHED SHOULDER	VIS H 6x16 Z EMB CR DIN 6921		5
92	519 65 31-13	SCREW H 6 X 60 Z CL 6.8 NFEN 24017	VIS H 6X60 Z CL 6.8 NFEN 24017		2
93	577 46 32-01	BAG OF SCREWS FOR COMPACT EVO	POCH. VISS xCOMPACT EVO POIGNEE DE SERRAGE EN ABS		1
94	519 65 34-47	Blade LH 40x4	COUTEAU PRIMO 40X4 D 320 GAUC		1
95	519 65 34-48	Blade RH 40x4	COUTEAU PRIMO 40X4 D 320 DROI		1
200	577 49 04-01	FLANGE 1/5 x YELLOW RAL1033 COMPACT	JONC CARTER 1/5 JAUNE RAL1033		1
201	519 65 30-42	LEFT TRANSMISSION HOUSING 1/5 BLACK x COMPACT	JOUE CARTER ECO (Ø 65) 1/5 G GAUCHE NOIR		1
202	519 65 30-41	RIGHT TRANSMISSION HOUSING 1/5 BLACK x COMPACT	JOUE CARTER ECO (Ø 65)1/5 D DROITE NOIR		1
203	531 00 85-76	Seal	Joint carter 1/5 Ø62 x Ø25		2
204	519 65 33-91	GREASE CAP	CAPE BOUCHON SR1011 M16		2
205	519 65 30-57	PIGNON 8 TOOTH 12.7 RIBBED	PIGNON 8 DTS 12.7 SIMPLE cannelé		1
206	519 65 30-07	BLADE SHAFT 1/5 D 40 DTS 12.7/MODIF	ARBRE TRAVAIL 1/5 SOUDE AVEC D 40 DTS 12.7/MODIF		1
207	575 36 23-01	CHAIN (80 LINKS RSF) 08B	CHAINE ISO 08B-1 pas 12.7mm "80 maillons RSF (Marquée : ""		1
208	505 54 40-01	SPECIAL BALL BEARING 2RS	ROULEMENT SPECIAL TYPE 62042RS		1
209	519 65 30-53	BALL BEARING 6305 2RS	ROULEMENT 6305 2 RS cl: 0		2
210	531 00 85-46	SPECIAL BALL BEARING 6204 2RS	ROULEMENT 6204 2RS EPAULE		1
211	585 36 55-01	3PTS SPACER FOR 1/5 TRANSMISSION	ENTRETOISE 3PTS CARTER 1/5		1
212	732 26 16-01	BLOCKING NUT M 6 Z	ECROU FREIN M 6 Z DIN 985-8		1
213	501 96 38-01	SCREW CHC 6 X 55 Z	VIS CHC 6 X 55 Z		1