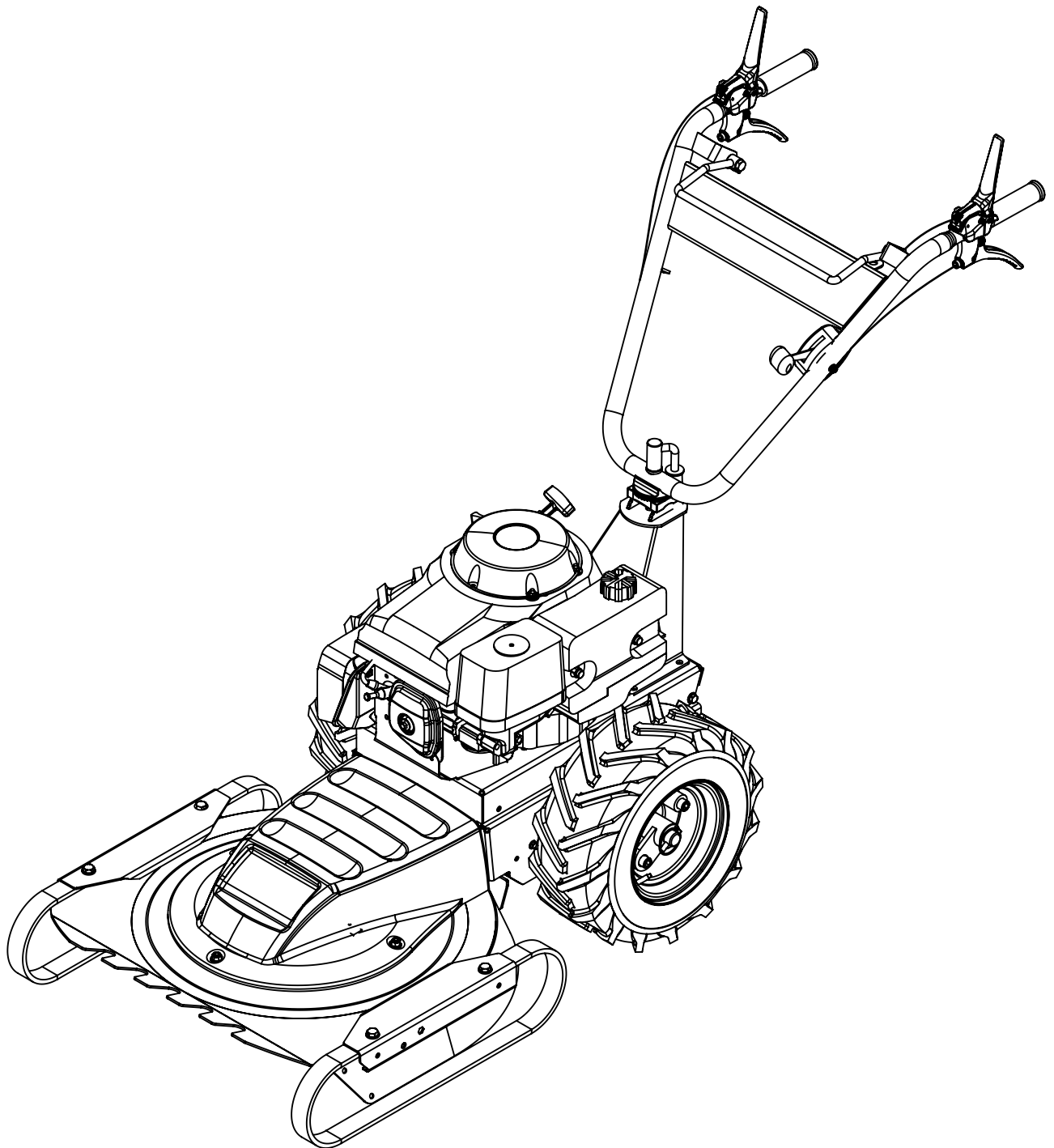
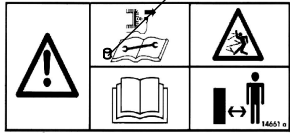


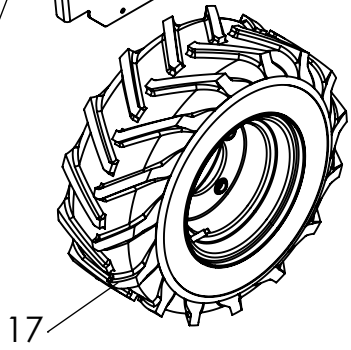
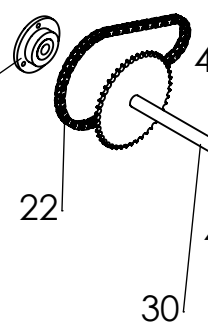
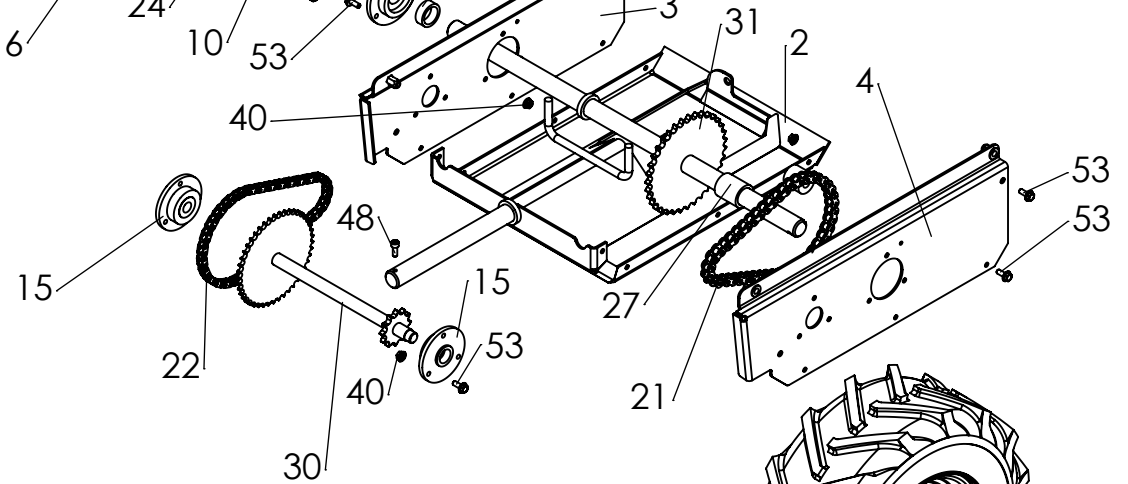
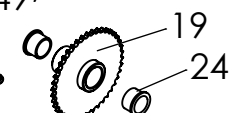
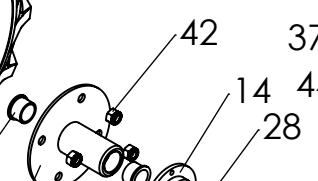
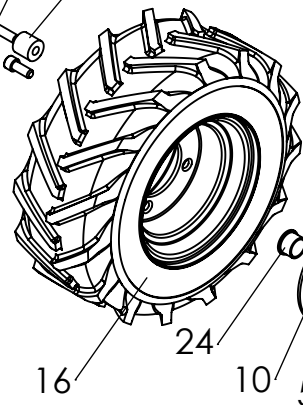
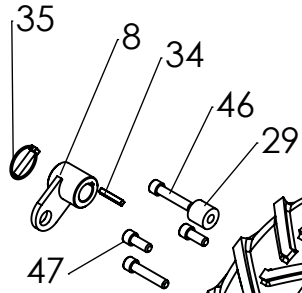
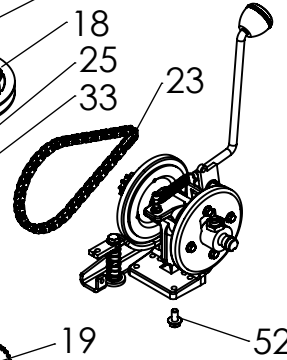
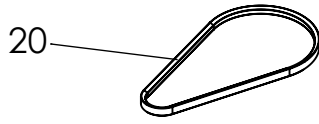
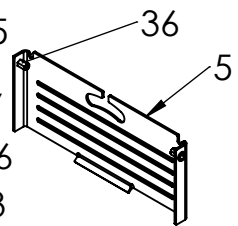
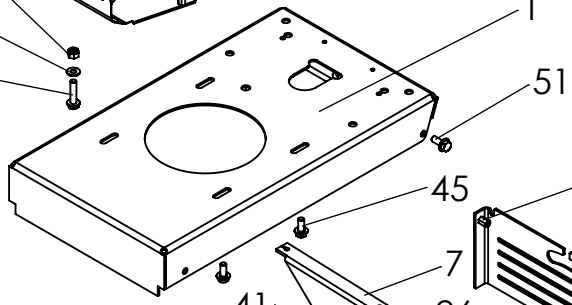
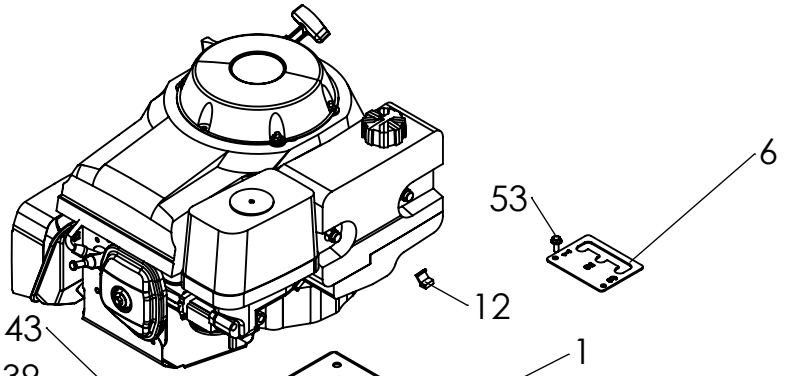
# Pièces de rechange Spare parts list

## L Senior

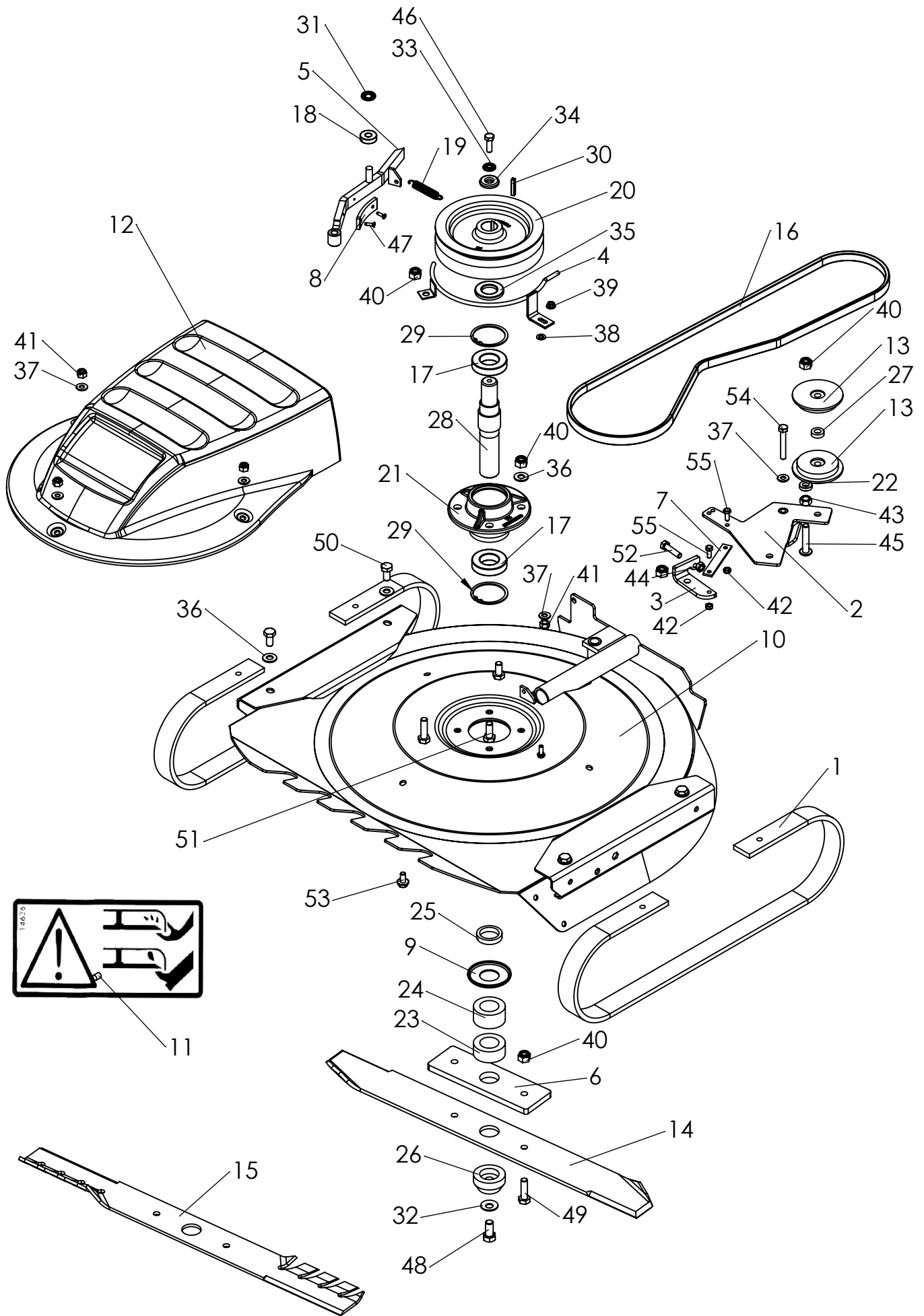




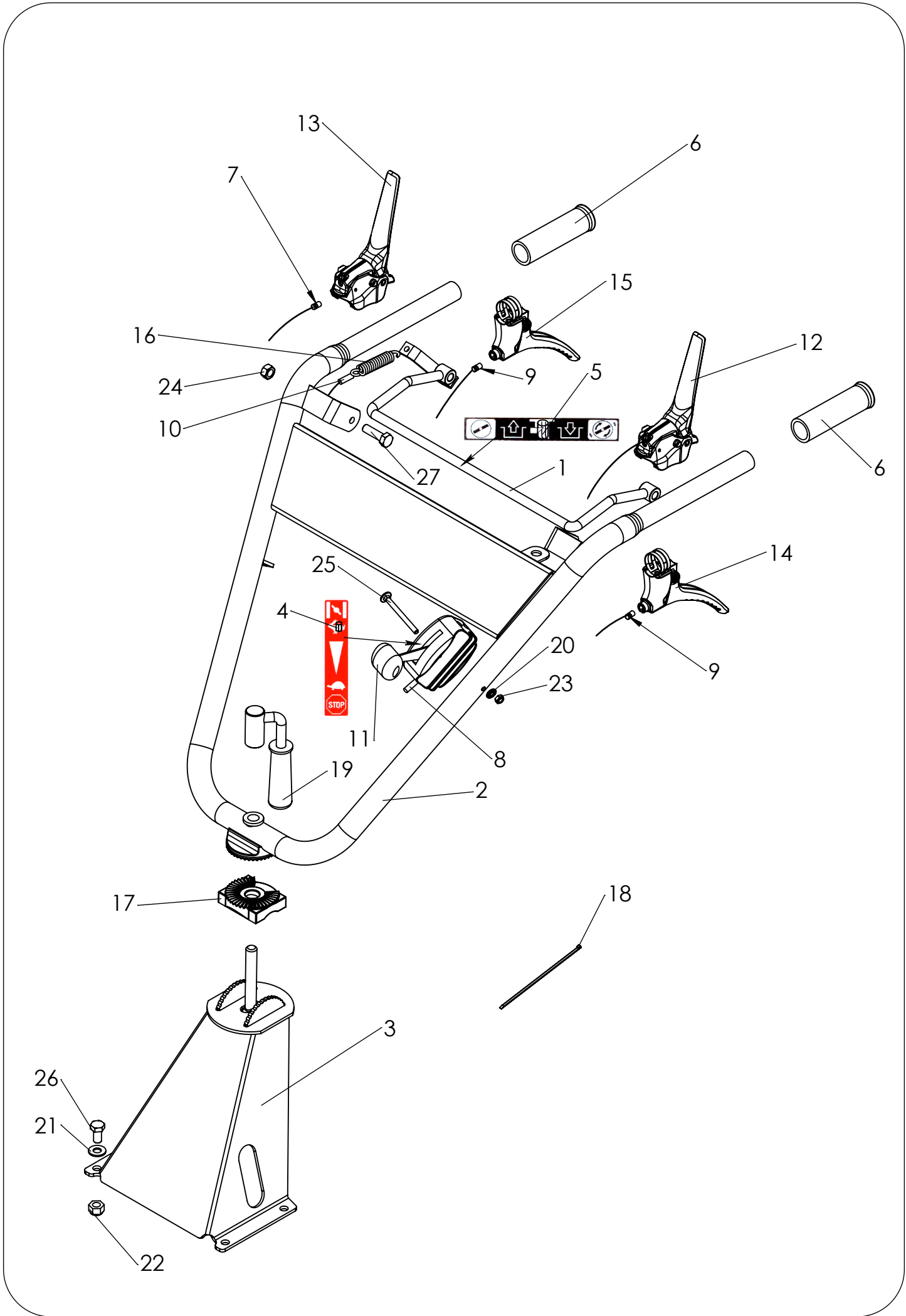
11



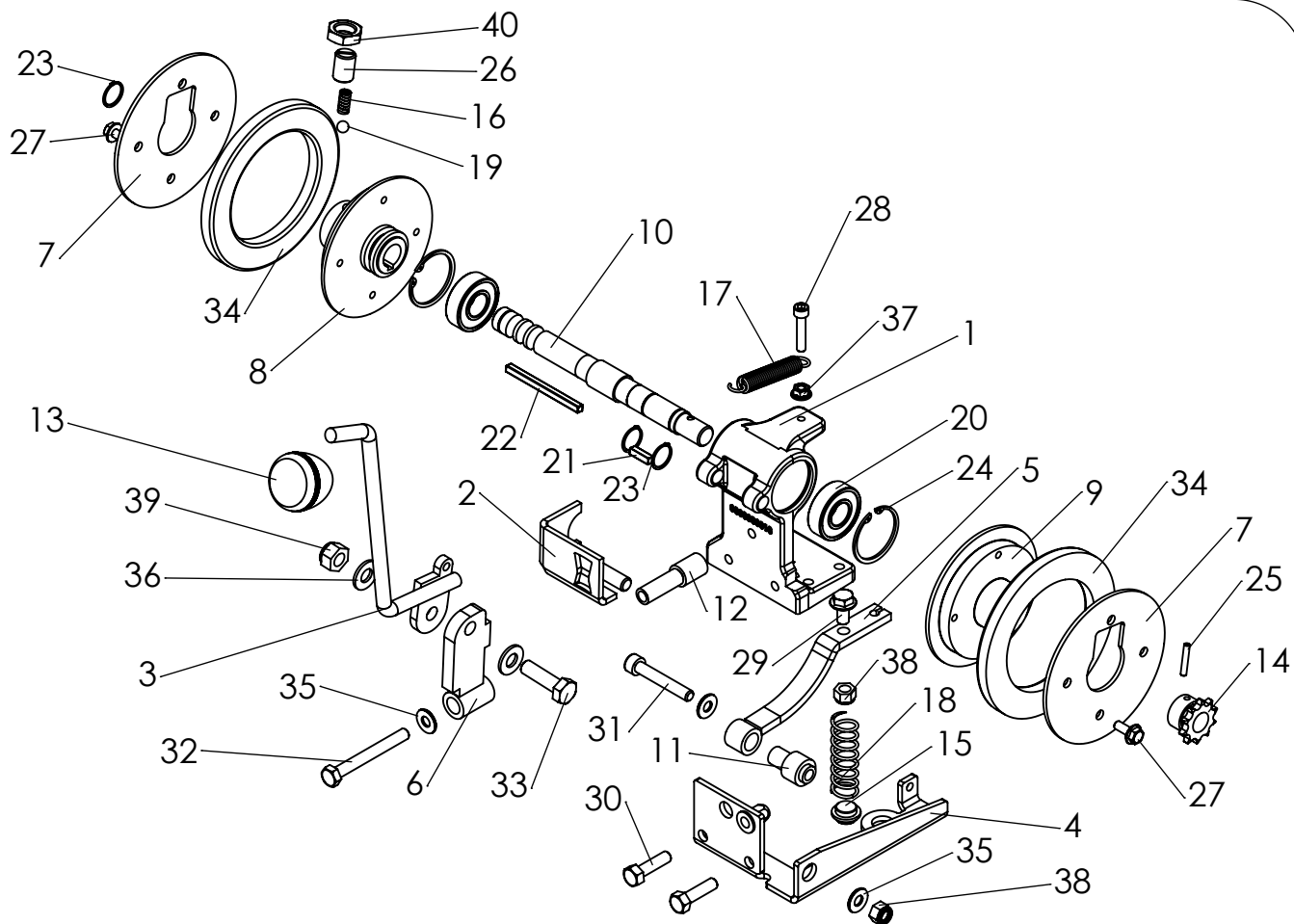
Rep N°	Ref.	Désignation	Description	Qte
1	5102010504	CAISSON SUP xL SENIORxGRIS 8120x	Grey (8120) upper plate	1
2	5102010501	CAISSON INF xL SENIORxGRIS 8120x	Grey (8120) lower case cover	1
3	5102010502	CAISSON LATER DRxL SENIORxGRIS 8120x	Grey (8120) RHS case cover	1
4	5102010503	CAISSON LAT GAUCHxL SENIORxGRIS 8120x	Grey (8120) LHS case cover	1
5	5102010509	TRAPPE VISITE ARR L SENIOR GRIS 8120	Grey (8120) inspection hatch	1
6	5102011312	GRILLE VITESSE xL SENIOR ROUGE RAL3002	Red RAL 3002 gear selection plate	1
6	5102012301	GRILLE VITESSE xL SENIOR BLEU P301	Blue P301 gear selection plate	1
6	5102012401	GRILLE VITES xL SENIOR ORANGE RAL2004	Orange RAL 2004 gear selection plate	1
7	5102010101	BALANCIER xL SENIORxBICHx	Rocker arm	1
8	5102010113	MOYEU 3-4T xL SENIORxBICHx	3/4 hub for 25 shaft	2
9	5102010115	POULIE MOT GXV340 xL SENIORxBICHx	Engine pulley L Senior	1
10	5102010505	MOYEU ROUE L SENIOR	Wheel hub	2
11	0503000016	ETIQ "PRECAUTIONS EMPLOI"	"Safety instructions" label	1
12	0341000057	FICHE ELECTRIQUE 564	Conector	1
13	0341000046	RONDELLE FEUTRE 22x48x2	Felt washer 22x48x2	1
14	0340050001	PALIER ARBRE ROUE L SENIOR	Wheel-axel bearing	2
15	0340040013	PALIER ARBRE INT + 6202 xL JUNIORx	Countershaft bearing Ø15	2
16	0309000018	ROUE 16.00x6.50/8 DROITE PNEU 4PR KT801 JANTE 4.85.115 + PAC	Right wheel	1
17	0309000017	ROUE 16.00x6.50/8 GAUCHE PNEU 4PR KT801 JANTE 5.50x8 4.85.11	Left wheel	1
18	0306060013	POULIE OSCILLANTE GORGE 13 FIN F GRAPHITE LAMEL	Oscillating pulley	1
19	0306050021	PIGNON FOU d25 xL SENIOR	Free gear	1
20	0306030023	COURROIE 4L 13 X 703	Fanbelt 4L13 x 703	1
21	0306020018	Chaîne 12.7 (46 maillons)	Chain 08B-1 pitch 12.7 45 links + connecting link	1
22	0306020017	Chaîne 9.52 (62 maillons)	Chain ISO 06B-1 pitch 9.525 45 links + connecting link	1
23	0306020016	Chaîne 9.525 (57 maillons)	Chain ISO 06B-1 pitch 9.525 55 links + offset link + connecting link	1
24	0306010022	BAGUE BRONZE d25	Bronze ring Ø25	6
25	0306010015	ROULEMENT 6204 2RS	6204 2RS Ball-Bearing	1
26	0302020067	ENTRETOISE 12,2x30x13 xZNCR3	Spacer 12.2x30x13	1
27	0302020064	ENTRETOISE 25.4x33,5x39	Spacer	1
28	0302020063	ENTRETOISE 25.4x33,5x12	Spacer	1
29	0302020062	ENTRETOISE 12x30x28	Spacer 12x30 28	4
30	0302010079	ARBRE INT SOUDE xL SENIORx	Countershaft	1
31	0302010078	ARBRE ROUE SOUDE xL SENIORx	Wheel Shaft	1
32	0302010016	AXE DE POULIE OSCILLANTE	Oscillating pulley axle	1
33	0301070006	CIRCLIP INTERIEUR 47 DIN472-47	Circlips Int. 47	2
34	0301040006	CLAVETTE 6.35 X 6.35 X 40 TOL h 9 - XC 48	Key 6.35x6.35x40	2
35	0301010009	GOUPILLE CLIPS 8X42 ZING	Cotter-pin	2
36	0300600602	INSERT A SERTIR HEX M6 OUVERT TETE PLATE PR TOLE EP<3mm	Insert M6	1
37	0300451201	RONDELLE GROWER 12 Z	Grower washer M12	1
38	0300411101	RONDELLE SPECIALE 11X30X5 Z	Washer 11x30x5z	1
39	0300400802	RONDELLE PLATE M 8X18X1.5 Z NFE 25513	PLATE WASHER M 8X18X1.5 Z NFE 25513	2
40	0300260601	ECROU HM 6 ZEMB CR DIN 6923	NUT H M6 Z NOTCHED SHOULDER	20
41	0300251202	ECROU HM 12 ZEMB CR DIN 6923	Nut H M12 z notched shoulder	1
42	0300211201	ECROU FREIN M 12 Z DIN 985/8	BLOCKING NUT M 12 Z	4
43	0300210802	ECROU FREIN M 8 Z DIN 985/8	BLOCKING NUT HM 8 Z DIN 985/8	2
44	0300060702	VIS TH 7/16 20 UNF 21/4 ZIN DIN 931 classe 8.8	Screw 7/16 20 UNF Lg57	1
45	0300060504	VIS 5/16 TH24 UNF3/4(LG19)E EMBASE CRANTEE 18	Screw 5/16 TH24z lg.19 notched shoulder	2
46	0300021203	VIS CHC M12x60 Z DIN 912 Classe 8.8	Screw CHC M12x60 z	4
47	0300021202	VIS CHC M12x30 Z DIN 912 Classe 8.8	Screw CHC M12x30 z	4
48	0300020601	VIS CHC 6 X 16 Z DIN912 ISO4762	Screw CHC M6x16z	1
49	0300011209	VIS H M12x70 Z cl 8.8 ISO4017	Screw HM 12x70z	1
50	0300010834	VIS H 8x35 Z EMB CR DIN 6921	SCREW H 8x35 Z DIN 6921 NOTCHED SHOULDER CL 6.8	2
51	0300010816	VIS H 8x20 Z EMB CR	SCREW H M8X20 Z NOTCHED SHOULDER CL 8.8	4
52	0300010815	VIS H 8x16 Z EMB CR DIN 6921 CL 6.8	SCREW H M8X16 Z NOTCHED SHOULDER CL 6.8	4
53	0300010609	VIS H 6x16 Z EMB CR DIN 6921	SCREW HM 6X16 Z NOTCHED SHOULD	25



Rep N°	Ref.	Désignation	Description	Qte
1	5102010510	PATIN COUPELLE xL SENIORxGRIS 8120x	Grey (8120) blade guard runner	2
2	5102010105	LEVIER EMBR LAME xL SENIORxBIC	Blade guard clutch lever	1
3	5102010109	LEVIER ACTIONNEUR FREIN xL SENIORxBICHx	Brake lever adjuster	1
4	5102010104	GUIDE COURR COUPELLE xL SENIORxBICHx	Cup belt guide	1
5	5102010106	LEVIER FREIN LAME xL SENIORxBICHx	Blade brake lever	1
6	5102010116	PLAT RENFORT LAME xL SENIORxZN Blancx	Blade fixing plate	1
7	5102010108	PLAT LIAISON LEVIER EMBR COUP xL SENIORxBICHx	Junction plate	1
8	5504000011	GARNITURE FREIN LAME SEULE	Blade brake lining	1
9	5504000032	RONDELLE PROTEC ARBRE COUP	Cup shaft protection washer	1
10	5102010506	COUPELLE xL SENIORxGRIS 8120x	Blade guard	1
11	0503000006	AUTO-COLLANT DANGER LAME 78 X	Label "danger sticker"	.
12	0340040016	CAPOT COURROIE xL JUNIORxJAUNE RAL1028x	Yellow RAL 1028 L Junior belt cover	1
12	0340040010	CAPOT COURROIE xL JUNIORxROUGE	Red L Junior belt cover	1
12	0340040008	CAPOT COURROIE xL JUNIORxORANG	Orange L Junior belt cover	1
12	0340040002	CAPOT COURROIE xL JUNIORxBLEUX	Blue L Junior belt cover	1
13	0340040014	GALET EMBRAYAGE MOULE	Clutch roller	4
14	0320020013	LAME Debr 650x70x6.5 LSEN	Brush blade Ø650	1
15	0320020012	LAME HERBE 650x ... x6.4 LSEN	Grass blade Ø650	1
16	0306030052	COURROIE MITSUBOSHI xLB59x	Fanbelt Mitsuboshi LB 59	1
17	0306010008	ROULEMENT 6006 2RS	Bearing 6006	2
18	0306010003	ROULEMENT 6000 ZZ	Bearing 6000 ZZ	1
19	0305010011	RESSORT TR 12x65 18/10 GAL	Locking spring	1
20	0303000016	POULIE LAME L SENIOR	Blade pulley Ø170	1
21	0302030025	PALIER COUPELLE xPUB Lx F GRAPHITE SPHEROIDAL GJS 400	Blade guard bearing	1
22	0302020080	ENTR. 20x10.5x5.5	Spacer 20x10.5x5.5 Z	2
23	0302020066	ENTRETOISE 30x50x21 x ZNCR3	Spacer	1
24	0302020061	ENTRETOISE LAME L SENIOR	Spacer	1
25	0302020043	RONDELLE LAME EP8 ZN 16060021	Spacer 40 x 30,5 x 8	1
26	0302020041	RONDELLE DE SERRAGE	Blocking washer	1
27	0302020018	ENTR. 20x10.5x6 xGALET EMBR xL JUN V2xB	Spacer 20 x 10,5 x 6	2
28	0302010071	ARBRE COUPELLE L SENIOR	Blade shaft	1
29	0301070009	CIRCLIPS INTERIEUR 55 DIN472-5	Circlip int 55	2
30	0301040003	CLAVETTE 5 X 5 X 30 BTS DROITS TOL h 9 - XC 48	Key 5x5x43	1
31	0300461001	RONDELLE STARLOCK Ø10	Starlock washer Ø10	1
32	0300431201	RONDELLE CONTACT 12 NFE 25-511	Elastic washer 12 Bic	1
33	0300430801	RONDELLE CONTACT M8 NF E 25511	CONTACT WASHER 8	1
34	0300411101	RONDELLE SPECIALE 11X30X5 Z	Washer 11x30x5z	1
35	0300402501	RONDELLE 25X45X4 Z SERIE Z NFE 25513	Washer 25x45x45z	1
36	0300401002	RONDELLE PLATE M 10X22X2 Z NFE 27611	PLATE WASHER M 10X22X2 Z NFE 27611	8
37	0300400802	RONDELLE PLATE M 8X18X1.5 Z NFE 25513	PLATE WASHER M 8X18X1.5 Z NFE 25513	5
38	0300400602	RONDELLE PLATE M 6X14X1.2 Z	PLATE WASHER M 6X14X1.2 Z NFEN 25513	1
39	0300260601	ECROU HM 6 ZEMB CR DIN 6923	NUT H M6 Z NOTCHED SHOULDER	1
40	0300211001	ECROU FREIN M 10 Z DIN 985/8	BLOCKING NUT M 10 Z	10
41	0300210802	ECROU FREIN M 8 Z DIN 985/8	BLOCKING NUT HM 8 Z DIN 985/8	4
42	0300210602	ECROU FREIN M 6 Z DIN 985-8	BLOCKING NUT M 6 Z	2
43	0300201002	ECROU H.U. M 10 Z DIN 934	NUT HM 10Z	2
44	0300200802	ECROU H.U. M 8 Z DIN 934/8	Nut HM8 z	1
45	0300101001	VIS BHC E 10x50 10.9 ZN DEG ISO 7380	Screw BHC 10x50z	2
46	0300090801	VIS A GAUCHE 8X25 Z	Screw H M8x25 z LH	1
47	0300090402	VIS AUTOFORMEUSE à tête fraisée DIN7500-ME-Z2-(A2K)-M4	Screw Spiriforme M4x15 K	2
48	0300011211	VIS HM 12x25 N CI 10.9	Screw HM 12x25 N CI 10.9	1
49	0300011015	VIS HM10 X 30 Z NFEN24017 CL8.8 FST	Screw HM 10x30z FST	2
50	0300011012	VIS H 6/8 10 X 20 Z DIN933/6.8	Screw H M10x20 z	4
51	0300011008	VIS H 10 X25 Z DIN 933/8/8	Screw H M10x25 z	4
52	0300010827	VIS HM 8 X 35/22 Z ISO 4014 CL 10.9	Screw HM8x35/22z	1
53	0300010815	VIS H 8x16 Z EMB CR DIN 6921 CL 6.8	SCREW H M8X16 Z NOTCHED SHOULDER CL 6.8	3
54	0300010809	VIS H 8 X 55/22 Z CL10.9	Screw HM 8x55 z cl 10.9	1
55	0300010602	VIS H 6 X 16 Z DIN 933/6.8	Screw HM6x16z	2



Rep N°	Ref.	Désignation Parts list	Description	Qte
1	5102011311	MANETTE EMBR LAME xL SENIORxROUGE 3002x	Red RAL 3002 blade clutch lever	1
2	5102010507	GUIDON xL SENIORxGRIS 8120x	Grey (8120) L Senior handlebar	1
2	5102010307	GUIDON xL SENIORxNOIRx	Black handlebar L sénior	1
3	5102012302	POTENCE xL SENIOR BLEU P301	Blue P301 L Senior handlebar bracket	1
3	5102011308	POTEN GUIDONxLSENIOR ROUGE RAL3002	Red RAL 3002 L Senior handlebar bracket	1
3	5102012402	POTENCE xL SENIOR ORANGE RAL2004	Orange RAL 2004 L Senior handlebar bracket	1
4	0503000040	ETIQ. Départ/panneau/stop	Label throttle control	1
5	0503000023	ETIQ EMBR LAME	Forward gear clutch label	1
6	0341000037	POIGNEE PLASTIQUE DIAM 25 CB	HAND SIDE GRIP	2
7	0308050016	CABLE FREIN PARC (manette LASC)	Brake cable	1
8	0308040037	CABLE GAZ LG630 CF50 MANETTE TOLE START	Throttle cable lenght: 630mm stroke: 50mm	1
9	0308020061	Câble d' embr Mav Mar L J / L S LAB	Clutch cable	2
10	0308020035	CABLE EMBR LAME xL Seniorx	Blade clutch cable	1
11	0307020009	MANETTE GAZ xProV2/ LSENIOR	Throttle lever	1
12	0307010043	LEVIER FREIN MOTEUR LASC05R00 + Tempo	Brake lever LASC Ø25	1
13	0307010042	LEVIER LASC05R00T.PK + tempo Frein de park	Brake lever LASC Ø25	1
14	0307010041	Levier LABC7B01.MR Ø25 course 25 + Tempo .Mar	lever LAB Ø25 stroke 25	1
15	0307010040	Levier LABC7B01.MA Ø25 course 25 + Tempo .Mav	lever LAB Ø25 stroke 25	1
16	0305010006	RESSORT TR 15x65 30/10 GALVA R65152	Locking spring	1
17	0303000007	PIECE INTERMEDIAIRE Avec logem ergot rotation	FILLER PIECE	1
18	0301060003	COLLIER POLYAM.3.6 X 140 NOIR	COLLAR	2
19	0300801401	POIGNEE SERRAGE M14x150 EMBOUT NOIR	HANDLEBAR TIGHTENING LEVER	1
20	0300430601	RONDELLE CONTACT 6 BIC NFE 25-511	CONTACT WASHER 6	1
21	0300401002	RONDELLE PLATE M 10X22X2 Z NFE 27611	PLATE WASHER M 10X22X2 Z NFE 27611	4
22	0300211001	ECROU FREIN M 10 Z DIN 985/8	BLOCKING NUT M 10 Z	4
23	0300210602	ECROU FREIN M 6 Z DIN 985-8	BLOCKING NUT M 6 Z	1
24	0300201002	ECROU H.U. M 10 Z DIN 934	NUT HM 10Z	2
25	0300080607	VIS TRCC 6 X 70/20 Z Din603 CI 4.6	Screw TBCC M6x70 z	1
26	0300011012	VIS H 6/8 10 X 20 Z DIN933/6.8	Screw H M10x20 z	4
27	0300011003	VIS H 10 X 35 FST Z NFEN 24017	SCREW HM 10X35Z FST	2



Rep N°	Ref.	Designation	Description	Qte
1	0303000018	Palier mécanisme LS	Mechanism bearing	1
2	5102010103	Fourchette mécanisme L S	Fork	1
3	5102010301	Levier de vitesse LS noir	Gear lever	1
4	5102010111	Toile frein L Senior	Support plate braking	1
5	5102010110	Levier frein mécanisme L S	Brake lever L S	1
6	5102010112	Support levier de vitesse L S	Gear lever support L S	1
7	5002010102	Flasque mécanisme	Bearing plate	2
8	0303000005	MOYEU GAUCHE DEBR xL JUNIORx	LHS mechanism hub	1
9	0303000004	MOYEU DROIT DEBR xL JUNIORx	RHS mechanism hub	1
10	0302010019	Axe de vitesse Mecanisme 3 V	Gear shaft 3 speeds	1
11	0302010077	Axe Levier frein mecanisme	Brake lever shaft	1
12	0302010076	Axe levier vitesse L Senior	Gear lever shaft	1
13	0341000055	Poignée	Grip	1
14	0306050014	Pignon 10 dts Pas 9.52	Pinion	1
15	0302010082	Pion guidage Ø15	Axle	1
16	0305020004	Ressort CP Ø7.8 Lg 15.5	Locking spring	1
17	0305010004	RESSORT TR 12.2x75.2 18/10 GAL	Spring	1
18	0305020006	Ressort CP 19x80x20/10 galva	Locking spring	1
19	0306010001	Bille acier Ø7.94	Steel ball Ø7.94	1
20	0306010013	ROULEMENT 6203 2RS 17X40X12	Ball Bearing 6203 2 RS	2
21	0301040002	Clavette 5x5x18	Key 5x5x18	1
22	0301040005	Clavette 5x5x70	Key 5x5x70	1
23	0301070003	Circlips E 17	Circlips E 17	3
24	0301070005	Circlips Int Ø40	Circlips Int Ø40	2
25	0301020002	GOUPILLE HBK 4x24	Cotter-pin 4x24 HBK	1
26	0302010043	Vis creuse M14	Hollow screw M14	1
27	0300010609	VIS H 6x16 Z EMB CR DIN 6921	SCREW HM 6X16 Z NOTCHED SHOULD	8
28	0300020603	Vis CHC M 6x30z	Screw CHC M6x30z	1
29	0300010815	VIS H 8x16 Z EMB CR DIN 6921	SCREW H M8X16 Z	1
30	0300010807	VIS H 8 X 30/22 Z DIN 931/6.8	SCREW H 8 X 30/22 Z DIN 931 /	2
31	0300020803	Vis CHC M8x50 z	Screw CHC M8x50 z	1
32	0300010822	VIS H 8x70/22 Z CL8.8 DIN 931	Screw HM8x70z DIN 931 - ISO 4014	1
33	0300011003	VIS H 10 X 35 FST Z NFEN 24017	SCREW HM 10X35Z FST	1
34	0341000044	Rondelle de friction	Rubber washer	2
35	0300400802	RONDELLE PLATE M 8X18X1.5 Z	PLATE WASHER M 8X18X1.5 Z	3
36	0300401002	RONDELLE PLATE M 10X22X2 Z	PLATE WASHER M 10X22X2 Z	2
37	0300260601	ECROU HM 6 ZEMB CR DIN 6923	NUT H M6 Z NOTCHED SHOULDER	1
38	0300210802	ECROU FREIN M 8 Z DIN 985/8	BLOCKING NUT HM 8 Z DIN 985/8	2
39	0300211001	ECROU FREIN M 10 Z DIN 985/8	BLOCKING NUT M 10 Z	1
40	0300251401	Ecrou Bas Hm 14 z	Nut Hm 14 z	1