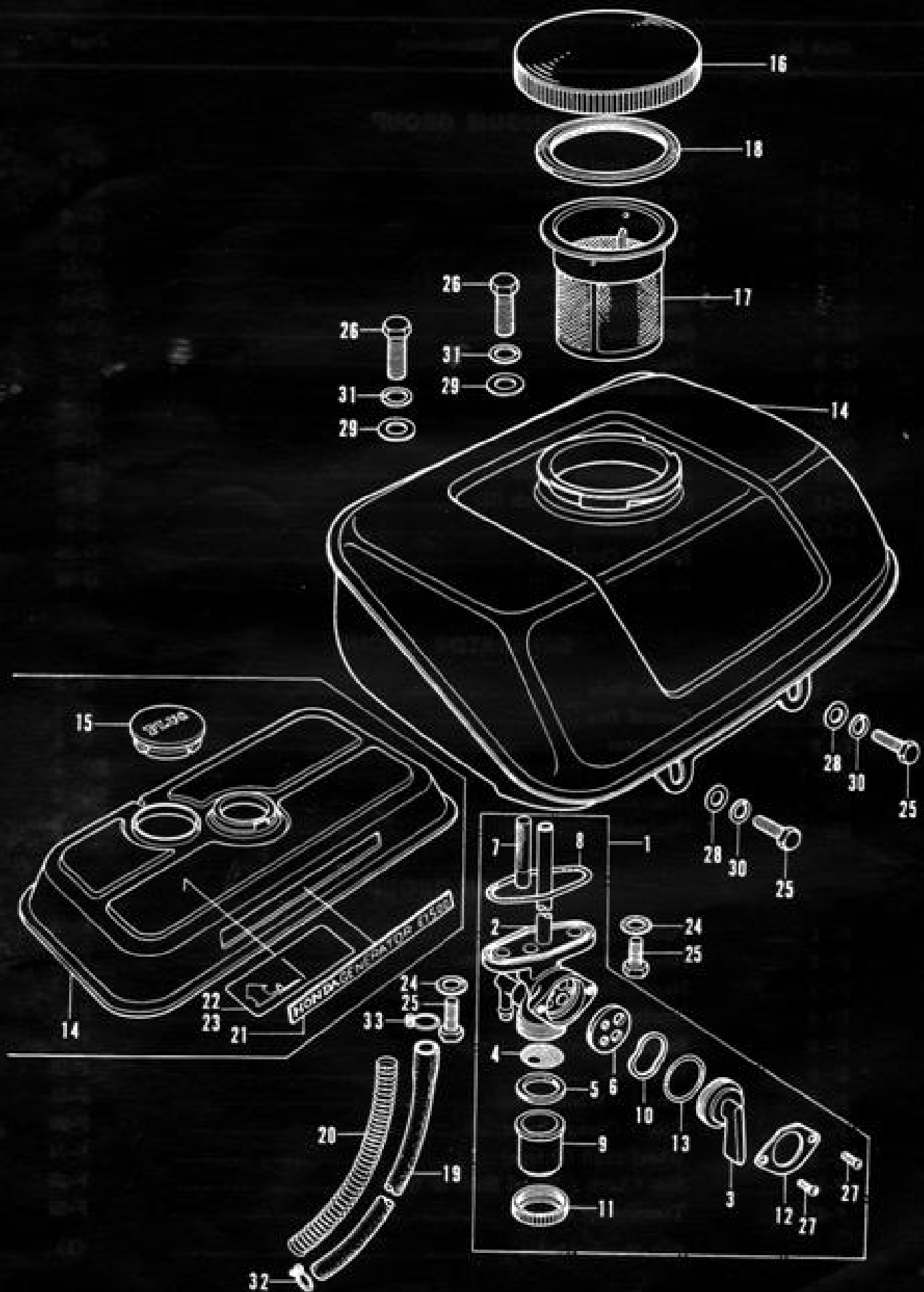


## F 42

Type	Side clutch	Wheel	Shipping country
F42FD	equipped	not equipped	France
F42D	not equipped	equipped	Others



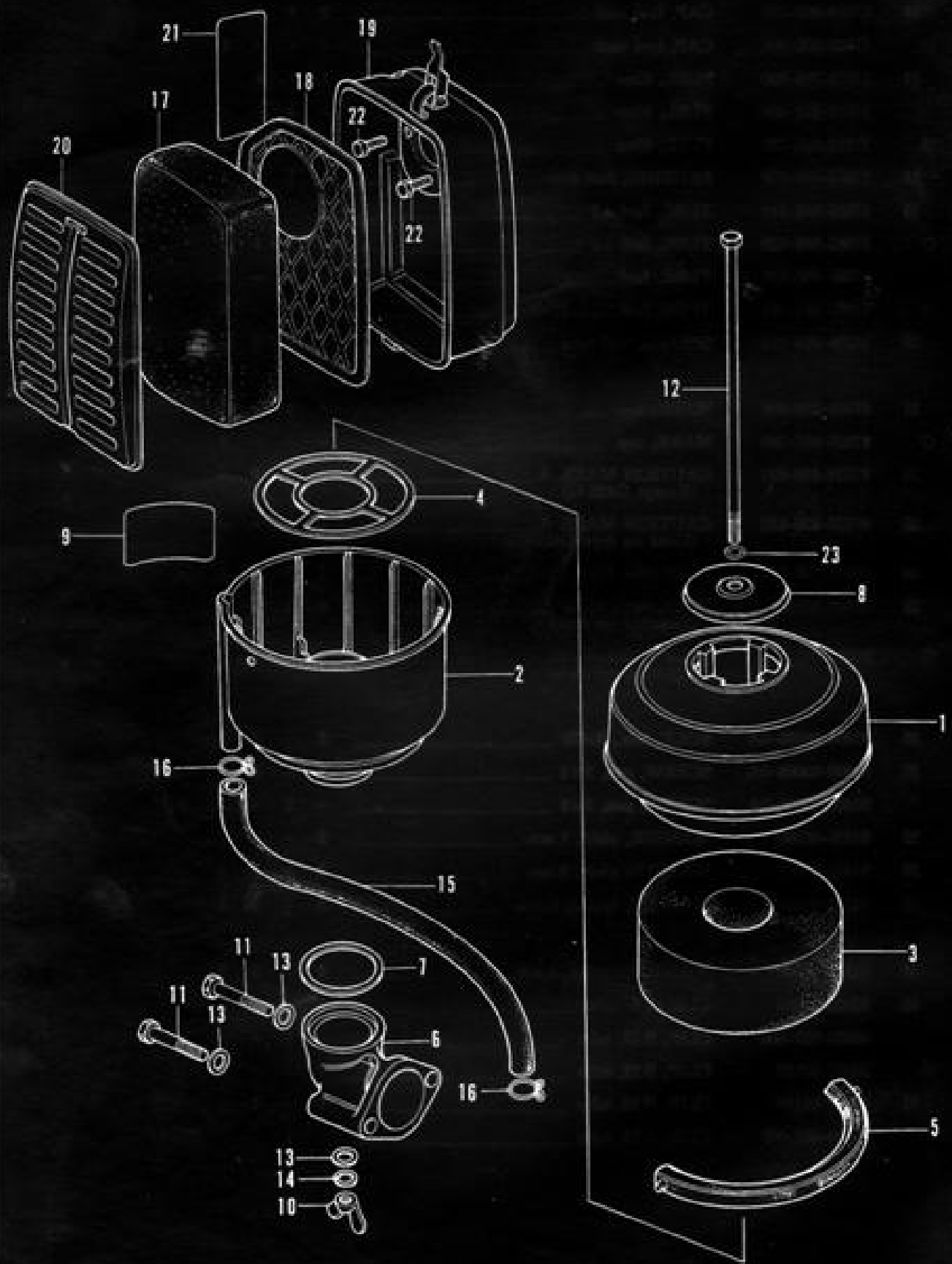
## G-1 Tank · Fuel Cock

Ref. No.	Part No.	Description	Reqd. No.				Remarks
			G	E1	E2	F	
1	16950-865-020	COCK ASSY., fuel .....	1	-	-	-	
○	16950-865-030	COCK ASSY., fuel .....	-	-	1	-	
	16950-822-000	COCK ASSY., fuel .....	-	1	-	-	
○	16950-865-780	COCK ASSY., fuel .....	-	-	-	1	
2	16951-865-010	BODY COMP., fuel cock .....	1	-	-	-	
○	16951-865-020	BODY COMP., fuel cock .....	-	-	1	-	
	16961-815-020	BODY COMP., fuel cock .....	-	1	-	-	
○	16961-865-781	BODY COMP., fuel cock .....	-	-	-	1	
3	16952-865-010	LEVER, cock .....	1	-	1	-	
	16972-822-014	LEVER, cock .....	-	1	-	-	
○	16972-865-780	LEVER, cock .....	-	-	-	1	
4	16957-865-010	ELEMENT .....	1	-	1	-	
	16931-822-004	ELEMENT .....	-	1	-	-	
○	16931-815-014	ELEMENT .....	-	-	-	1	
5	16958-703-007	PACKING, cap .....	1	1	1	1	
6	16959-865-000	PACKING, cock .....	1	-	1	-	
	16973-815-014	PACKING, cock .....	-	1	-	1	
7	16960-865-010	STRAINER, upper .....	1	-	1	-	
○	16981-822-000	FILTER, check .....	-	-	-	1	
8	16962-865-010	RING COCK, seal .....	1	-	1	1	
	16955-815-004	O-RING .....	-	1	-	1	
9	16967-865-000	CAP, strainer .....	1	-	1	-	
	16921-815-004	CHAMBER, fuel .....	-	1	-	-	
○	16911-841-004	CAP, fuel strainer .....	-	-	-	1	
10	16975-815-004	SPRING, cock lever .....	1	1	1	1	
11	16957-703-000	NUT, ring .....	1	1	1	-	
○	16912-841-650	NUT, ring .....	-	-	-	1	
12	16978-865-000	STOPPER, lever .....	1	-	1	-	
	16978-815-004	STOPPER, lever .....	-	1	-	-	
○	16978-865-780	STOPPER, lever .....	-	-	-	1	
13	16983-815-000	O-RING, 21 mm .....	1	1	1	1	
14	17500-865-020XC	TANK COMP., fuel .....	1	-	-	-	
	17500-839-680XC	TANK COMP., fuel (Used on type G42E-D and G42E-A)	-	1	-	-	
	17500-839-610XC	TANK COMP., fuel (Used on type G42E-G)	-	1	-	-	
	17500-865-660XC	TANK COMP., fuel .....	-	-	1	-	
○	17500-865-780XC	TANK COMP., fuel .....	-	-	-	1	
15	17617-822-000XC	COVER, plug .....	-	1	-	-	

## G-1 Tank - Fuel Cock

Ref. No.	Part No.	Description	Reqd. No.				Remarks
			G	E1	E2	F	
16	17650-805-000	CAP, fuel tank .....	1	1	1	-	
○	17650-808-000	CAP, fuel tank .....	-	-	-	1	
17	17672-703-020	FUEL, filter .....	1	-	1	-	
	17672-822-000	FUEL, filter .....	-	1	-	-	
○	17672-865-731	FUEL, filter .....	-	-	-	1	
18	17673-703-030	PACKING, fuel filter .....	1	1	1	1	
19	17685-865-010	TUBE, fuel 4.5 .....	1	-	-	-	
○	17685-865-020	TUBE, fuel 4.5 .....	-	-	1	-	
	17685-865-630	TUBE, fuel .....	-	1	-	-	
○	17685-865-781	TUBE, fuel .....	-	-	-	1	
20	16236-865-010	SPRING, fuel tube .....	1	1	1	-	
21	87101-839-000	MARK, top .....	-	1	-	-	
○	87525-865-780	MARK, top .....	-	-	-	1	
22	87522-836-670	CAUTION MARK A (Except G42E-G) .....	-	1	1	-	
23	87522-836-610	CAUTION MARK A (Used on type G42E-G) .....	-	1	-	-	
24	90445-700-000	PACKING, 6 mm .....	2	2	2	2	
25	92000-06016	BOLT, hex., 6x16 (Installed on tank) .....	4	2	2	2	
○	93500-06016	SCREW, pan, 6x16 (Installed on cock) .....	-	-	2	2	
26	92000-08020-0A	BOLT, hex., 8x20 .....	2	-	2	2	
27	93500-03008-0A	SCREW, pan, 3x8 .....	2	-	2	-	
	93500-03006-0A	SCREW, pan, 3x6 .....	-	2	-	2	
28	94101-06000	WASHER, plain, 6 mm .....	2	-	2	2	
29	94101-08000	WASHER, plain, 8 mm .....	2	-	2	2	
30	94111-06000	WASHER, spring, 6 mm .....	2	-	2	2	
31	94111-08000	WASHER, spring, 8 mm .....	2	-	2	2	
32	95002-02080	CLIP, B 8, tube .....	1	-	1	-	
	90604-921-000	CLIP, B 12, tube .....	-	1	-	-	
○	95002-02120	CLIP, B 12, tube .....	-	-	-	2	
33	95002-02100	CLIP, B 10, tube .....	1	-	1	-	
	90604-921-000	CLIP, B 12, tube .....	-	1	-	-	

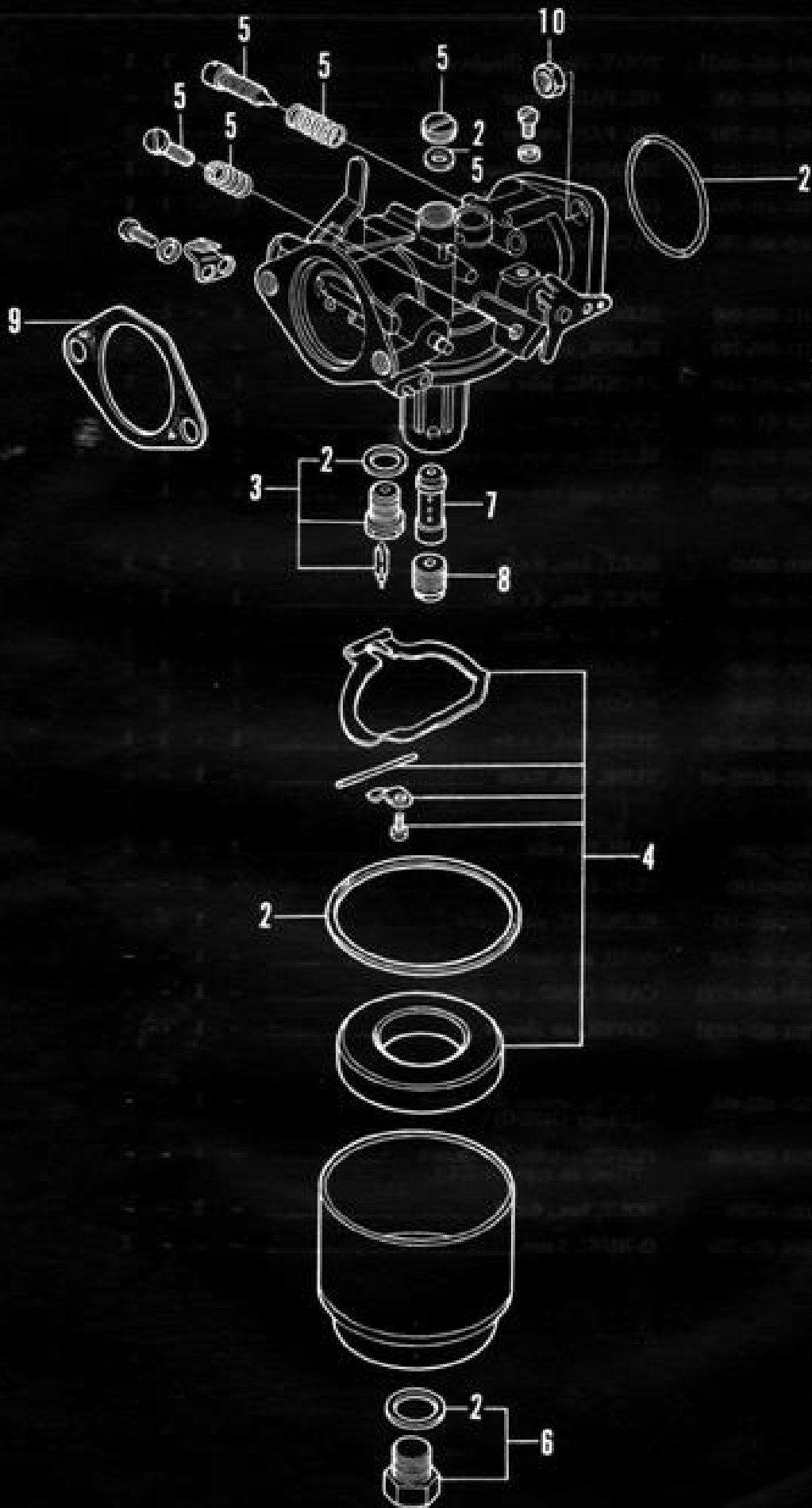
# G-2 Oil Bath Air Cleaner



## G-2 Oil Bath Air Cleaner

Ref. No.	Part No.	Description	Reqd. No.				Remarks
			G	E1	E2	F	
1	17401-865-000H	BODY, cleaner (Bright red) .....	1	-	1	1	
2	17402-865-000	OIL PAN, cleaner .....	1	-	1	-	
○	17402-865-780	OIL PAN, cleaner .....	-	-	-	1	
3	17403-841-000	ELEMENT, air cleaner .....	1	-	1	1	
4	17404-841-000	GRIP, air cleaner .....	1	-	1	1	
○ 5	17409-865-781	PACKING, oil cleaner .....	-	-	-	1	
6	17411-865-000	ELBOW, air cleaner .....	1	-	1	-	
○	17411-865-780	ELBOW, air cleaner .....	-	-	-	1	
7	17412-841-000	PACKING, inlet elbow .....	1	-	1	1	
8	17421-841-000	CAP, cleaner .....	1	-	1	1	
9	87535-816-660	PLATE, caution oil bath cleaner .....	1	-	1	1	
10	90325-865-650	NUT, tool box set .....	1	-	1	-	
11	92000-06040	BOLT, hex., 6×40 .....	2	-	2	2	
12	92000-06160	BOLT, hex., 6×160 .....	1	-	1	-	
○	17425-865-780	BOLT, air cleaner .....	-	-	-	1	
13	94101-06000	WASHER, plain, 6 mm .....	3	-	3	2	
14	94111-06000	WASHER, spring, 6 mm .....	1	-	1	-	
15	96001-80200-40	TUBE, fuel, 8×200 .....	1	-	1	1	
	96001-80085-40	TUBE, fuel, 8×85 .....	-	1	-	-	
16	96002-02080	CLIP, B8, tube .....	2	-	2	2	
	96002-02130	CLIP, B12.5, tube .....	-	2	-	-	
17	17211-807-641	ELEMENT, air cleaner .....	-	1	-	-	
18	17212-807-641	GRID, air cleaner .....	-	1	-	-	
19	17220-865-630H	CASE COMP., air cleaner .....	-	1	-	-	
20	17231-865-630H	COVER, air cleaner .....	-	1	-	-	
21	87534-822-660	PLATE, caution air cleaner .....	-	1	-	-	
		(Except G42E-G)					
	87534-822-680	PLATE, caution air cleaner .....	-	1	-	-	
		(Used on type G42E-G)					
22	92000-06010	BOLT, hex., 6×10 .....	-	2	-	-	
○ 23	91304-865-780	O-RING, 5 mm .....	-	-	-	1	

### G-3 Carburetor

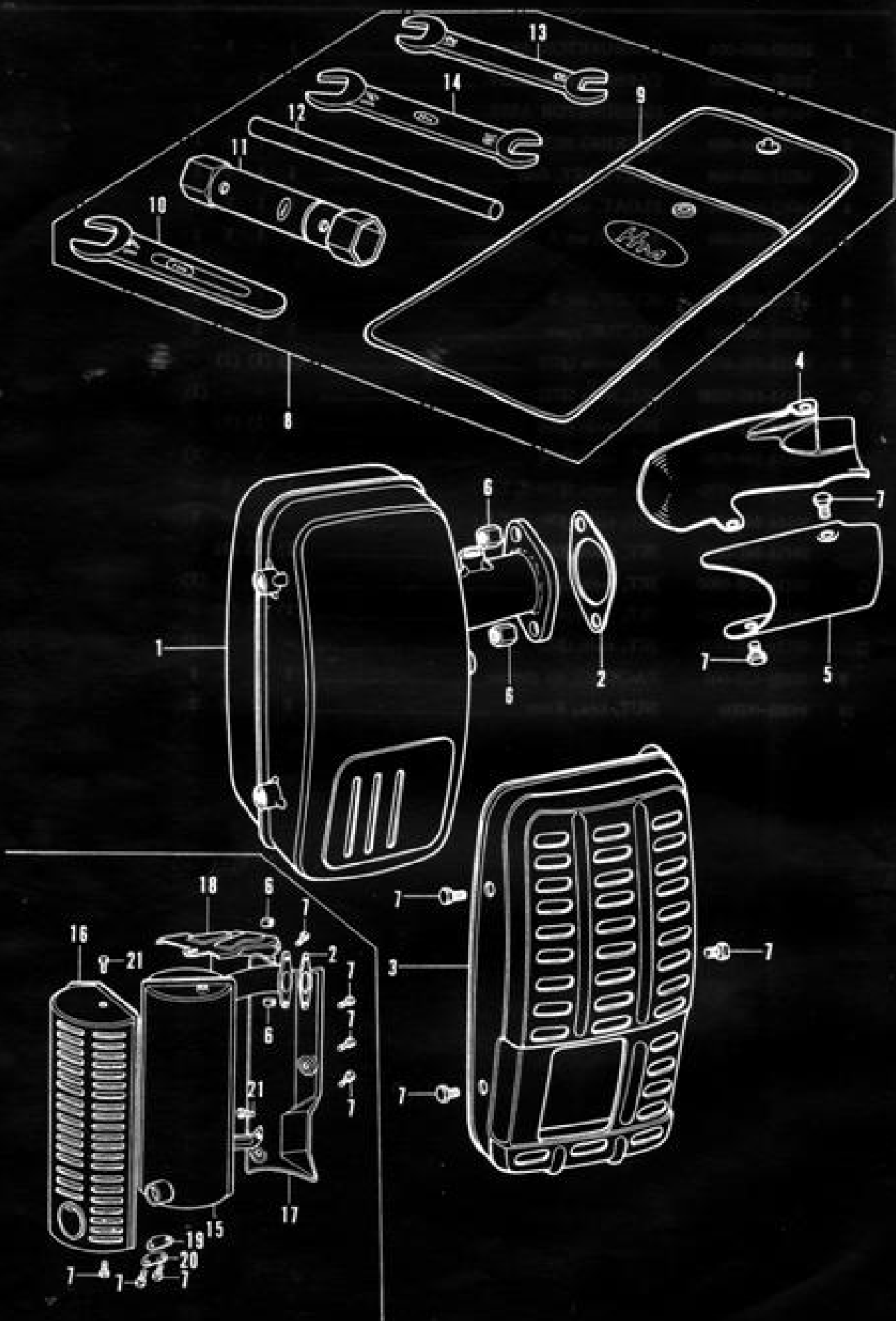


### G-3 Carburetor

Ref. No.	Part No.	Description	Reqd. No.				Remarks
			G	E1	E2	F	
1	16100-865-004	CARBURETOR ASSY. ....	1	-	1	-	
	16100-865-630	CARBURETOR ASSY. ....	-	1	-	-	
○	16100-865-781	CARBURETOR ASSY. ....	-	-	-	1	
2	16010-848-650	PACKING SET .....	1	1	1	1	
3	16011-865-004	VALVE SET, float .....	1	1	1	1	
4	16013-841-004	FLOAT, set .....	1	1	1	1	
5	16016-848-004	SCREW, set A .....	1	1	1	1	
6	16028-848-004	SCREW, set B .....	1	1	1	1	
7	16166-865-004	NOZZLE, main .....	1	1	1	1	
8	99114-841-0720	JET, main (#72) .....	(1)	(1)	(1)	-	
○	99114-848-0720	JET, main (#72) .....	-	-	-	(1)	
	99114-841-0750	JET, main (#75) .....	(1)	(1)	(1)	-	
○	99114-848-0750	JET, main (#75) .....	-	-	-	(1)	
	99114-841-0780	JET, main (#78) (S.T.D.) .....	1	1	1	-	
○	99114-848-0780	JET, main (#78) (S.T.D.) .....	-	-	-	1	
	99114-841-0800	JET, main (#80) .....	(1)	(1)	(1)	-	
○	99114-848-0800	JET, main (#80) .....	-	-	-	(1)	
	99114-841-0820	JET, main (#82) .....	(1)	(1)	(1)	-	
○	99114-848-0820	JET, main (#82) .....	-	-	-	(1)	
9	16269-822-000	PACKING, air cleaner .....	1	1	1	1	
10	94001-06000	NUT, hex., 6 mm .....	2	2	2	2	



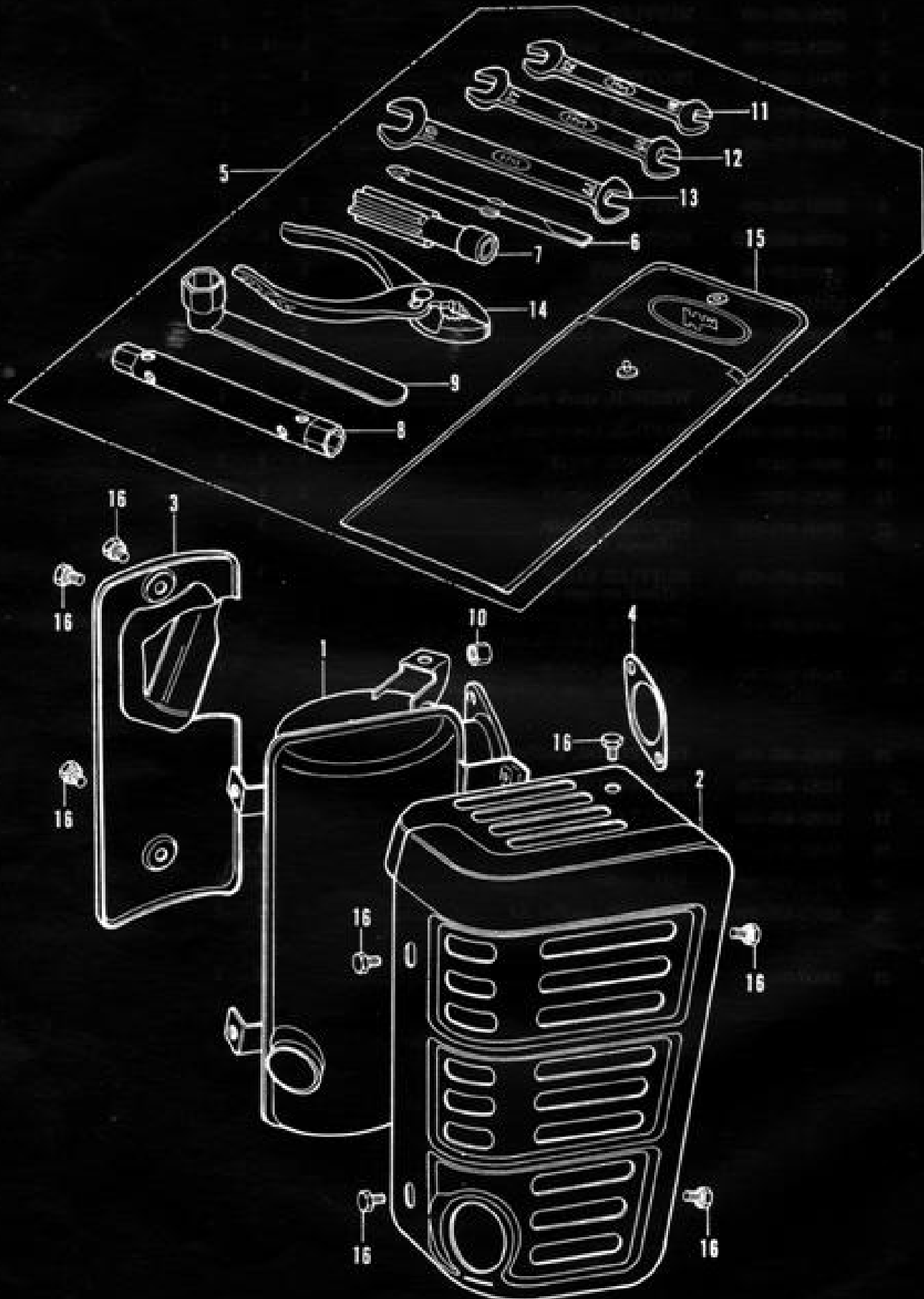
# G-4 Muffler · Tool



## G-4 Muffler · Tool

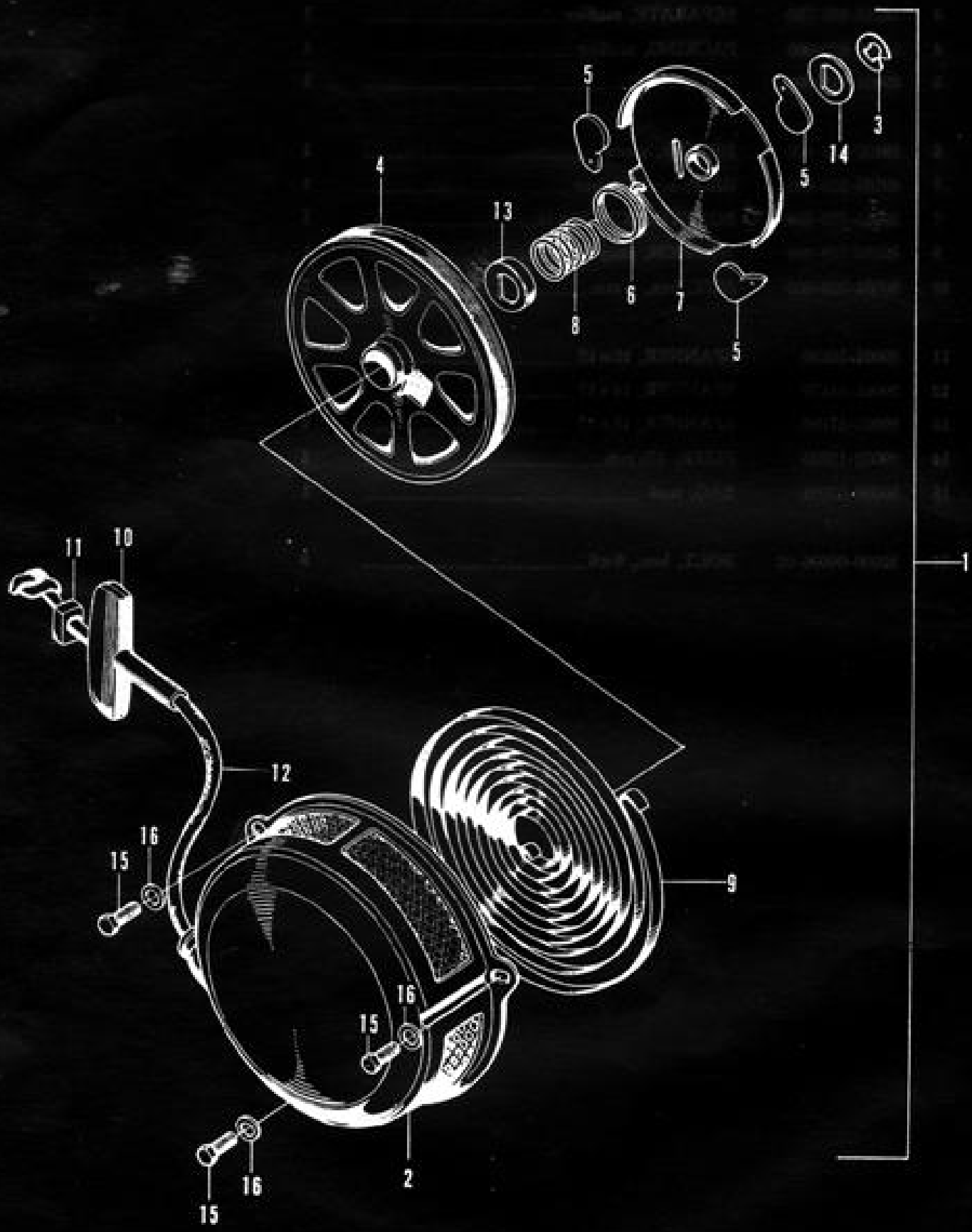
Ref. No.	Part No.	Description	Reqd. No.			Remarks
			G	E1	E2	
1	18300-865-000	MUFFLER COMP. ....	1	-	-	
2	18351-822-000	PACKING, muffler ....	1	1	1	
3	18361-865-010	PROTECTOR COMP., muffler ....	1	-	-	
4	18365-865-000	COVER A COMP., exhaust pipe ....	1	-	1	
5	18366-865-000	COVER B COMP., exhaust pipe ....	1	-	1	
6	90381-703-000	NUT, hex., 6φ ....	2	2	2	
7	93000-06008-02	BOLT, hex., 6×8 ....	5	6	2	
8	89000-839-000	TOOL ASSY. ....	1	1	1	
9	83151-805-000	BAG, tool ....	1	1	1	
10	89206-805-000	SPANNER, 17 mm ....	1	1	1	
11	89216-829-010	WRENCH, spark plug ....	1	1	1	
12	89219-805-000	HANDLE, box wrench ....	1	1	1	
13	99001-08120	SPANNER, 8×12 ....	1	1	1	
14	99001-10140	SPANNER, 10×14 ....	1	1	1	
15	18300-815-010	MUFFLER COMP. .... (Except G42E-A)	-	1	-	
	18300-865-670	MUFFLER COMP. .... (Used on type G42E-A)	-	1	-	
○	18300-865-740	MUFFLER COMP. .... (Except G42EG-A and G42ED-A)	-	-	1	
○	18300-865-760	MUFFLER COMP. .... (Used on type G42EG-A and G42ED-A)	-	-	1	
16	18361-805-640	PROTECTOR, muffler ....	-	1	-	
○	18361-865-740	PROTECTOR, muffler ....	-	-	1	
17	18363-805-640	SEPARATE PLATE, muffler ....	-	1	-	
18	18365-815-010	COVER, exhaust pipe ....	-	1	-	
19	18371-815-000	RID, muffler ....	-	1	1	
20	18372-815-000	PACKING, muffler rid ....	-	1	1	
21	92000-06016	BOLT, hex., 6×16 ....	-	1	1	

G-5 Muffler - Tool (Used on type F)



## G-5 Muffler - Tool (Used on type F)

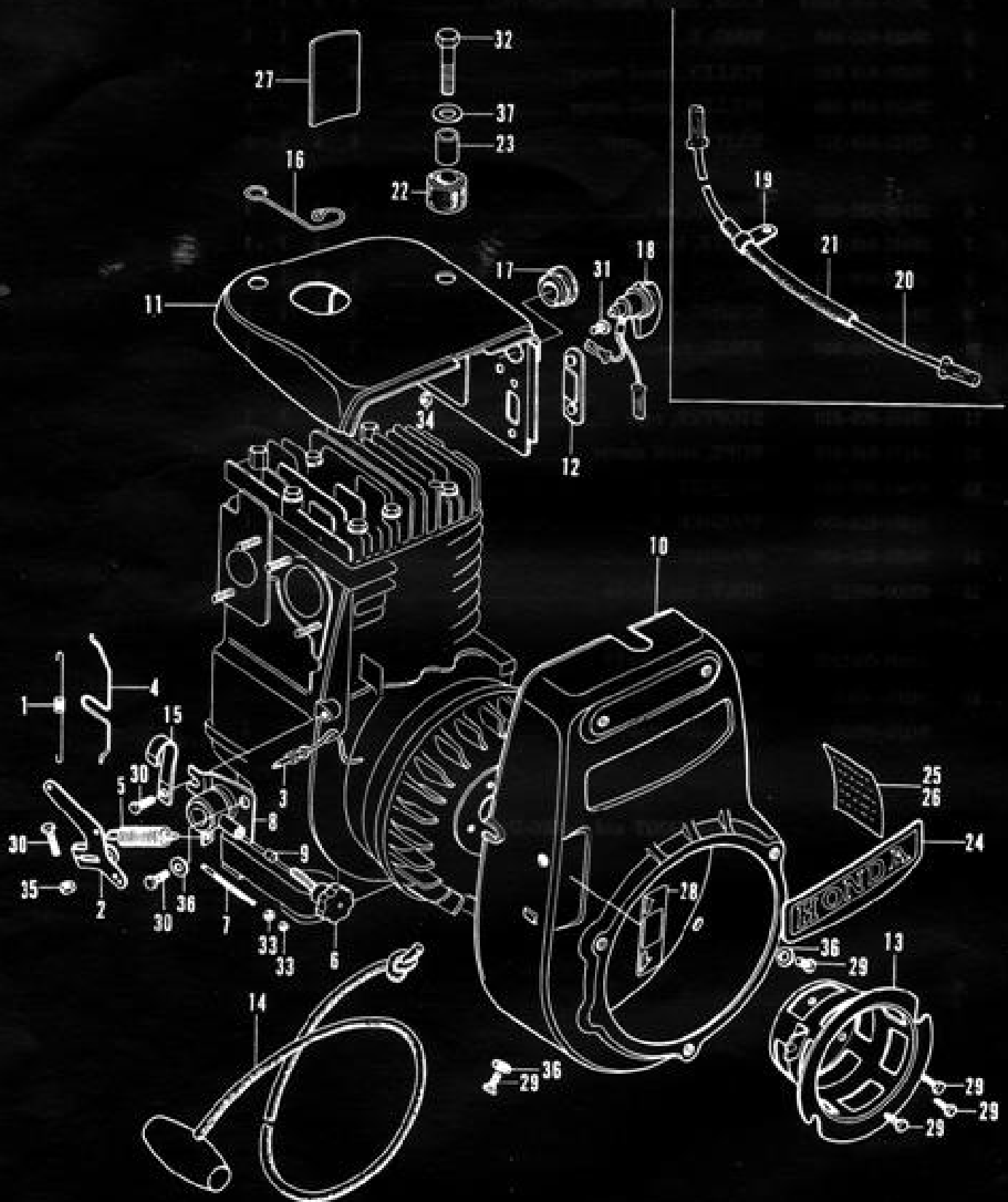
Ref. No.	Part No.	Description	Reqd. No. F	Remarks
1	18300-865-780	MUFFLER COMP. ....	1	
2	18311-865-780	PROTECTOR, muffler ....	1	
3	18315-865-780	SEPARATE, muffler ....	1	
4	18351-822-000	PACKING, muffler ....	1	
5	89000-719-000	TOOL ASSY. ....	1	
6	89102-538-000	DRIVER, screw ....	1	
7	89103-538-000	GRIP, screw driver ....	1	
8	89216-333-000	BOX WRENCH, 10×12, ....	1	
9	89216-719-000	WRENCH, plug ....	1	
10	90381-703-000	NUT, hex., 6 mm ....	2	
11	99001-10120	SPANNER, 10×12 ....	1	
12	99001-14170	SPANNER, 14×17 ....	1	
13	99001-17190	SPANNER, 17×19 ....	1	
14	99002-13500	PLIER, 135 mm ....	1	
15	99008-02000	BAG, tool ....	1	
16	92000-06006-02	BOLT, hex., 6×6 ....	8	



## G-6 Recoil Starter

Ref. No.	Part No.	Description	Reqd. No.				Remarks
			G	E1	E2	F	
1	28400-848-000H	RECOIL STARTER ASSY. (Bright red).....	1	-	1	-	
	28400-865-630H	RECOIL STARTER ASSY. (Bright red).....	-	1	-	1	
2	28410-848-810H	CASE, recoil starter (Bright red) .....	1	1	1	1	
3	28423-810-810	RING, E .....	1	1	1	1	
4	28420-848-810	PULLEY, recoil starter .....	1	-	1	-	
	28420-848-650	PULLEY, recoil starter .....	-	1	-	1	
5	28441-848-810	RATCHET, starter .....	1	1	1	1	
6	28445-822-650	SPRING, set .....	1	1	1	1	
7	28445-848-810	PLATE, friction .....	1	1	1	1	
8	28446-809-810	SPRING, friction .....	1	1	1	1	
9	28451-848-810	SPRING, stater return .....	1	1	1	1	
10	28461-805-810	KNOB, starter .....	1	1	1	1	
11	28465-809-810	STOPPER, rope .....	1	1	1	1	
12	28471-848-810	ROPE, recoil starter .....	1	1	1	1	
13	90481-809-810	WASHER, A .....	1	-	1	-	
	90481-822-650	WASHER, A .....	-	1	-	1	
14	90482-822-650	WASHER, B .....	1	1	1	1	
15	92000-06012	BOLT, hex., 6×12 .....	3	-	3	-	
	92000-0601202	BOLT, hex., 6×12 .....	-	3	-	3	
16	94101-06000	WASHER, plain, 6 mm .....	3	-	3	-	
	94101-06200	WASHER, plain, 6 mm .....	-	3	-	3	

(Except G42QT and G42EC-D)



## G-7 Fan Cover

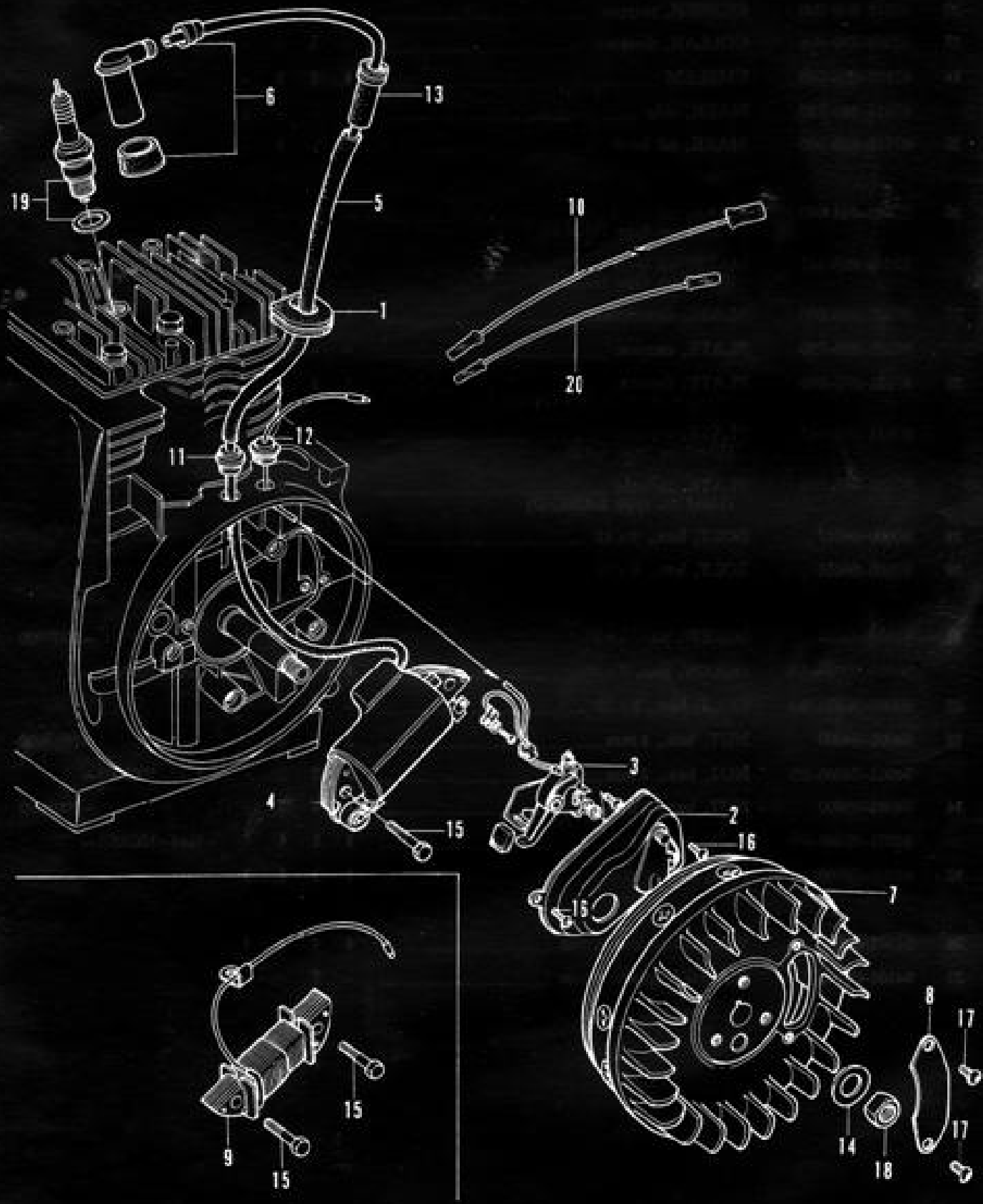
Ref. No.	Part No.	Description	Reqd. No.				Remarks
			G	E1	E2	F	
1	16501-841-000	SPRING, throttle return .....	1	1	-	1	
○	16501-865-750	SPRING, throttle return .....	-	-	1	-	
2	16541-822-000	ARM, governor .....	1	1	1	1	
3	16535-822-010	SHAFT, governor arm .....	1	1	1	1	
4	16545-822-000	ROD, governor .....	1	1	1	1	
5	16551-822-000	SPRING, governor .....	1	1	1	1	(* Indicates 50 Hz)
○	16551-865-750	SPRING, governor .....	-	-	1	-	(60 Hz)
6	16561-865-000	SCREW COMP, governor adjust .....	1	1	1	-	
7	16564-822-010	BOLT, spring adjust .....	1	1	1	-	~1007000
○	16564-822-020	BOLT, spring adjust .....	1	1	1	-	G42-1007001~
8	16570-865-000	LEVER COMP., control .....	1	1	1	-	
9	16574-822-000	BUSHING, control .....	1	1	1	-	
10	19600-865-000H	(Superseded by 19600-865-010H) .....	1	1	-	-	
○	19600-865-010H	COVER COMP., fan (Bright red) .....	1	1	1	-	
○	19600-865-780H	COVER COMP., fan (Bright red) .....	-	-	-	1	
11	19611-865-660H	COVER, side (Bright red) .....	1	-	1	-	
	19611-865-631H	COVER, side (Bright red) .....	-	1	-	-	
○	19611-865-000H	COVER, side (Bright red) .....	-	-	-	1	
12	19901-807-000	DEFENDER, side cover .....	1	1	1	-	
		(Except G42ED-D and G42ED-A)					
	19901-865-780	GROMMET, side cover .....	-	-	1	-	
		(Used on type G42ED-D and G42ED-A)					
13	28430-865-660	PULLEY COMP., starter .....	1	1	1	1	
		(Except G42QT and G42EC-D)					
	28430-865-000	PULLEY COMP., starter .....	1	-	1	-	
		(Used on type G42QT and G42EC-D)					
14	28470-822-000	ROPE, starter .....	1	-	1	-	
		(Used on type G42QT and G42EC-D)					
15	30564-848-000	CLAMPER, cord .....	1	1	1	-	
16	30564-865-630	CLAMPER, hightension cord .....	-	1	-	-	
17	36151-805-641	GROMMET A, cord .....	-	1	-	-	
○	19902-865-780	GROMMET A, side cover .....	-	-	-	1	
18	36100-841-660	SWITCH ASSY., engine stop .....	1	-	1	-	
○19	36102-842-000	BINDER, cord .....	-	-	1	-	
		(Used on type G42ED-D and G42ED-A)					
20	36103-842-000	CORD, engine stop switch .....	-	-	1	-	
		(Used on type G42ED-D and G42ED-A)					



## G-7 Fan Cover

Ref. No.	Part No.	Description	Reqd. No.				Remarks
			G	E1	E2	F	
○21	35104-842-000	TUBE, 12 mm (Used on type G42ED-D and G42ED-A)	-	-	1	-	
22	50318-839-000	RUBBER, stopper	-	1	-	-	
23	50319-839-000	COLLAR, distance	-	1	-	-	
24	87101-865-000	EMBLEM	1	1	1	-	
○	87511-865-780	MARK, side	-	-	-	1	
25	87515-865-660	MARK, oil level	1	-	1	-	
26	87542-844-660	MARK, oil level (Used on type G42E-D)	-	1	-	-	
	87515-865-641	MARK, oil level (Used on type G42EG)	-	1	-	-	
27	87521-865-660	PLATE, description	1	-	-	-	
○	87521-865-790	PLATE, caution	-	-	-	1	
28	87531-865-660	PLATE, throttle (Except G42E-G and G42EC-D)	1	1	1	-	
	87531-865-640	PLATE, throttle (Used on type G42E-G)	-	1	-	-	
○	87531-865-750	PLATE, throttle (Used on type G42EC-D)	-	-	1	-	
29	92000-06012	BOLT, hex., 6×12	8	8	8	8	
30	92000-06016	BOLT, hex., 6×16	3	3	3	-	
31	93500-05010	SCREW, pan, 5×10	1	-	1	-	~1007000
	93500-05010-0A	SCREW, pan, 5×10	1	-	1	-	G42-1007001~
32	92000-08032-0A	BOLT, hex., 8×32	-	1	-	-	
33	94001-04000	NUT, hex., 4 mm	2	2	2	-	~1007000
	94001-04000-0S	NUT, hex., 4 mm	2	2	2	-	G42-1007001~
34	94001-05000	NUT, hex., 5 mm	1	1	1	-	~1007000
	94001-05000-0S	NUT, hex., 5 mm	1	1	1	-	G42-1007001~
35	94001-06000	NUT, hex., 6 mm	1	1	1	1	
36	94101-06000	WASHER, plain, 6 mm	4	4	4	4	
37	94101-08000	WASHER, plain, 8 mm	-	1	-	-	

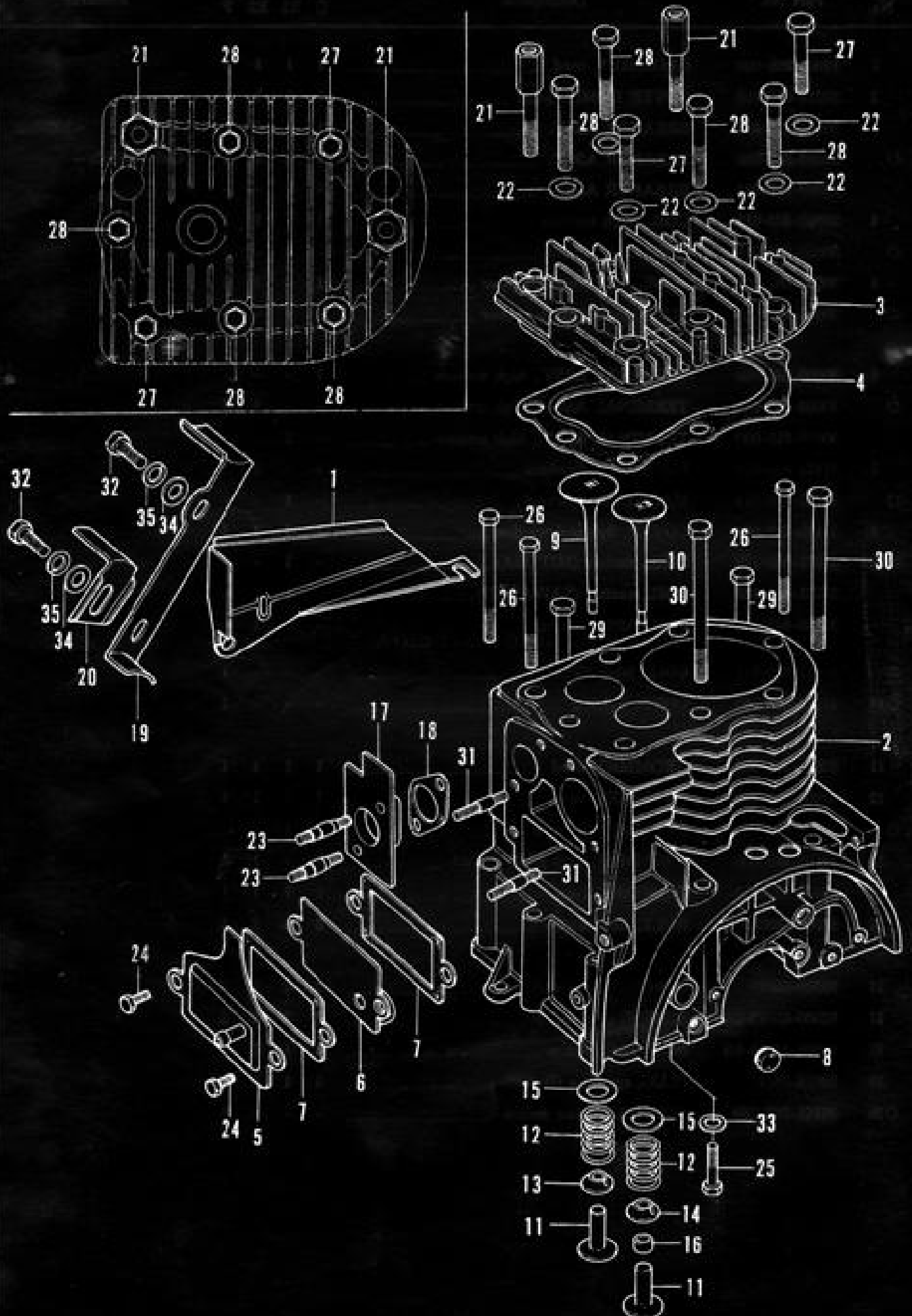
# G-8 Magneto



## G-8 Magneto

Ref. No.	Part No.	Description	Reqd. No.				Remarks
			G	E1	E2	F	
1	19905-865-000	GROMMET, cord .....	1	1	1	1	
2	30210-822-010	COVER COMP., point .....	1	1	1	1	
3	30280-822-020	BREAKER ASSY. ....	1	-	1	1	~1007000
○	30280-822-030	BREAKER ASSY. ....	1	-	1	1	G42-1007001~
	30280-815-024	BREAKER ASSY. ....	-	1	-	-	
4	30560-822-013	COIL, high tension .....	1	-	1	1	
○	30560-822-014	COIL, high tension .....	-	1	-	-	
5	30565-865-000	TUBE, high tension rubber .....	1	-	1	1	
○	30565-865-650	TUBE, high tension rubber .....	-	1	-	-	
6	30600-841-000	TERMINAL ASSY., high tension .....	1	-	-	-	
○	30600-805-641	TERMINAL ASSY., high tension .....	-	-	1	1	
	30600-815-030	TERMINAL ASSY., high tension .....	-	1	-	-	
7	31121-822-030	MAGNETO, flywheel .....	1	-	1	1	
○	31121-822-014	MAGNETO, flywheel .....	-	1	-	-	
8	31125-822-000	COVER, flywheel window .....	1	1	1	1	
○ 9	31521-815-179	COIL, exciter (MITUBA) .....	-	1	-	-	
	31521-815-188	COIL, exciter (SAWAFUJI) .....	-	1	-	-	
	31160-842-158	COIL ASSY., charge (Used on type G42ED-D and G42ED-A)	-	-	1	-	
○	31511-822-811	COIL, lamp 6V .....	-	-	-	1	
○10	31512-865-780	CORD, lighting .....	-	-	-	1	
11	32951-705-000	GROMMET, cord .....	1	1	1	1	
12	32952-805-020	GROMMET, cord .....	1	-	1	1	
○	36152-805-640	GROMMET B, cord .....	-	1	-	-	
13	36153-865-000	GROMMET, high tension cord .....	1	-	1	1	
14	90408-822-010	WASHER, 14 mm .....	1	1	1	1	
15	92000-06028	BOLT, hex., 6×28 .....	2	4	2	4	
16	93500-05010	SCREW, pan, 5×10 .....	2	2	2	2	
17	93500-05010-0A	SCREW, pan, 5×10 .....	2	2	2	2	
18	94001-14000-0S	NUT, hex., 14 mm .....	1	1	1	1	
19	98076-56741	PLUG, sparking (B-6HS) .....	1	1	1	1	
○20	36151-865-780	CORD A, engine switch .....	-	-	-	1	

# G-9 Cylinder Barrel

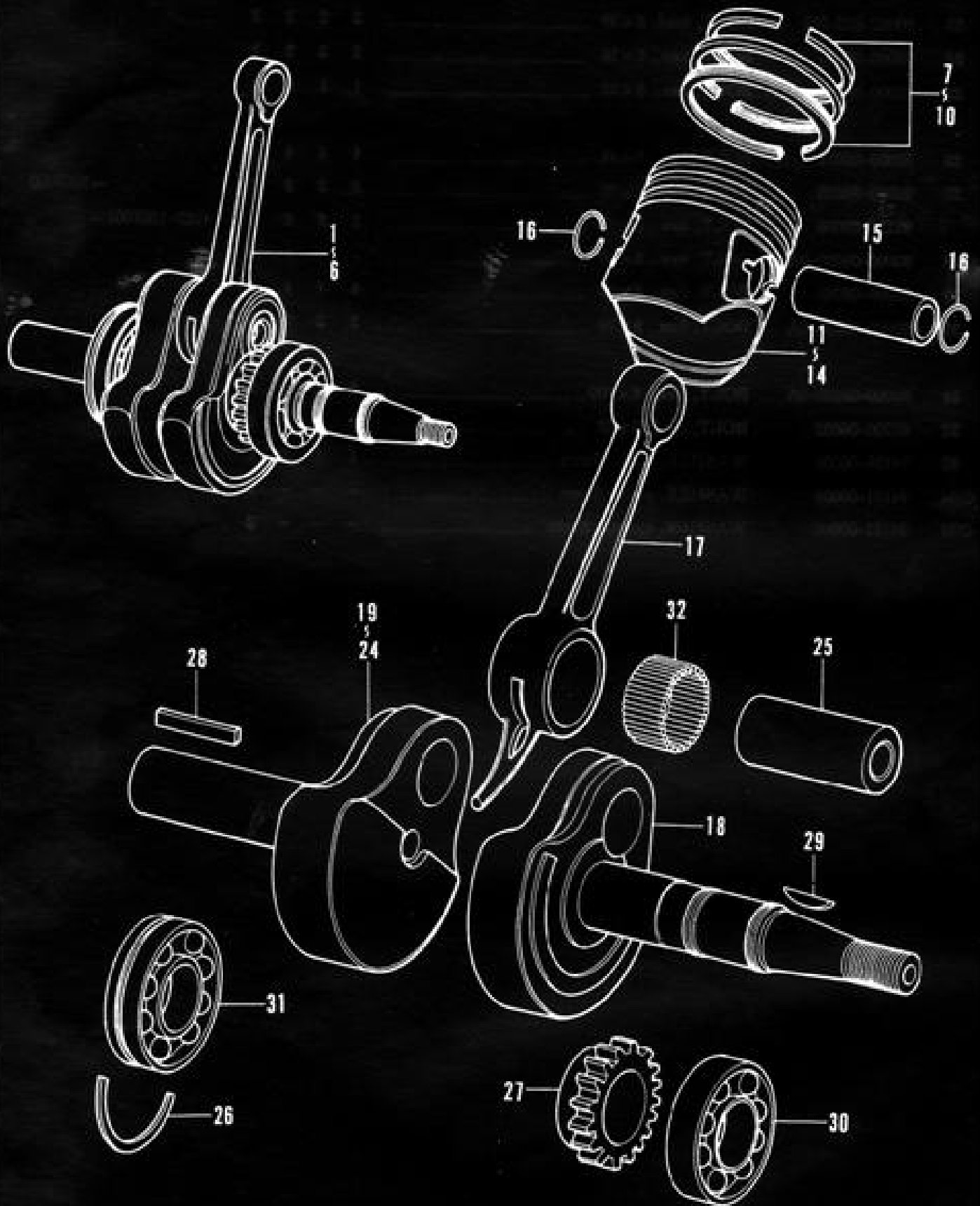


## G-9 Cylinder Barrel

Ref. No.	Part No.	Description	Reqd. No.				Remarks
			G	E1	E2	F	
○ 1	11901-704-000	PLATE, bottom guide.....	-	-	-	1	
2	12100-865-000	BARREL COMP., cylinder ..... (Except G42P, G42Q, G42U, G42V and G42QT)	1	1	1	-	~1007000
	12100-865-010	(Superseded by 12100-865-020).....	1	1	1	1	G42-1007001~1010001
	12100-865-020	BARREL COMP., cylinder ..... (Except G42P, G42Q, G42U, G42V and G42QT)	1	1	1	1	G42-1010002~
	12100-865-690	BARREL COMP., cylinder ..... (Used on type G42P, G42Q, G42U, G42V and G42QT)	1	-	-	-	
	12100-865-691	BARREL COMP., cylinder .....	1	-	-	-	
3	12201-841-000	HEAD, cylinder .....	1	-	1	1	
	12201-822-000	HEAD, cylinder .....	-	1	-	-	
4	12251-822-000	GASKET, cylinder head .....	1	1	1	1	
5	12361-822-000	COVER, tappet.....	1	1	1	1	
6	12370-843-000	SEPARATOR, oil.....	1	1	1	1	
7	12372-822-000	PACKING, breather case .....	2	2	2	2	
8	14214-822-000	PLUG, cam shaft sealing .....	1	1	1	1	
9	14711-822-010	VALVE, inlet.....	1	1	1	1	
10	14721-822-020	VALVE, exhaust .....	1	1	1	1	
11	14731-822-000	LIFTER, valve .....	2	2	2	2	
12	14751-822-000	SPRING, valve .....	2	2	2	2	
13	14771-805-000	RETAINER, valve spring (Inlet side) .....	1	1	1	1	
14	14771-822-030	RETAINER, valve (Exhaust side) .....	1	1	1	1	
15	14775-822-010	SEAT, valve spring.....	2	2	2	2	
16	14777-822-405	ADJUSTER, tappet clearance (5.2~5.3) .....	(1)	(1)	(1)	(1)	
	14777-822-415	ADJUSTER, tappet clearance (5.5~5.6) .....	(1)	(1)	(1)	(1)	
	14777-822-425	ADJUSTER, tappet clearance (5.9~6.0) .....	(1)	(1)	(1)	(1)	
17	16211-822-010	INSULATOR, carburetor .....	1	1	1	-	
○	16211-865-780	INSULATOR, carburetor .....	-	-	-	1	
18	16229-822-010	PACKING, carburetor insulator .....	1	1	1	1	
○19	22441-719-010	STOPPER A, belt .....	-	-	-	1	
○20	22442-719-000	STOPPER B, belt .....	-	-	-	1	

## G-9 Cylinder Barrel

Ref. No.	Part No.	Description	Reqd. No.				Remarks
			G	E1	E2	F	
21	90001-822-000	BOLT, cylinder head clamp .....	2	2	2	2	
22	90402-822-000	WASHER, head, 8 mm .....	8	8	8	8	
23	90062-822-701	BOLT, stud, 8×39 .....	2	2	2	2	
24	92000-06016	BOLT, hex., 6×16 .....	2	2	2	2	
25	92000-06032	BOLT, hex., 6×32 .....	1	1	1	1	
26	92000-06071	BOLT, hex., 6×71 .....	4	4	4	4	
27	92000-08036	BOLT, hex., 8×36 .....	2	2	2	2	~1007000
	95125-08036	BOLT, hex., 8×36 .....	2	2	2	2	G42-1007001~
○28	92000-08020-0A	BOLT, hex., 8×20 .....	-	-	-	2	
29	92000-08045	BOLT, hex., 8×45 .....	4	4	4	4	
30	92000-08070-0A	BOLT, hex., 8×70 .....	2	2	2	2	
31	92000-08100-0A	BOLT, hex., 8×100 .....	2	2	2	2	
32	92700-06032	BOLT, stud, 6×32 .....	2	2	2	2	
33	94101-06000	WASHER, plain, 6 mm .....	1	1	1	1	
○34	94101-08000	WASHER, plain, 8 mm .....	-	-	-	2	
○35	94111-08000	WASHER, spring, 8 mm .....	-	-	-	2	

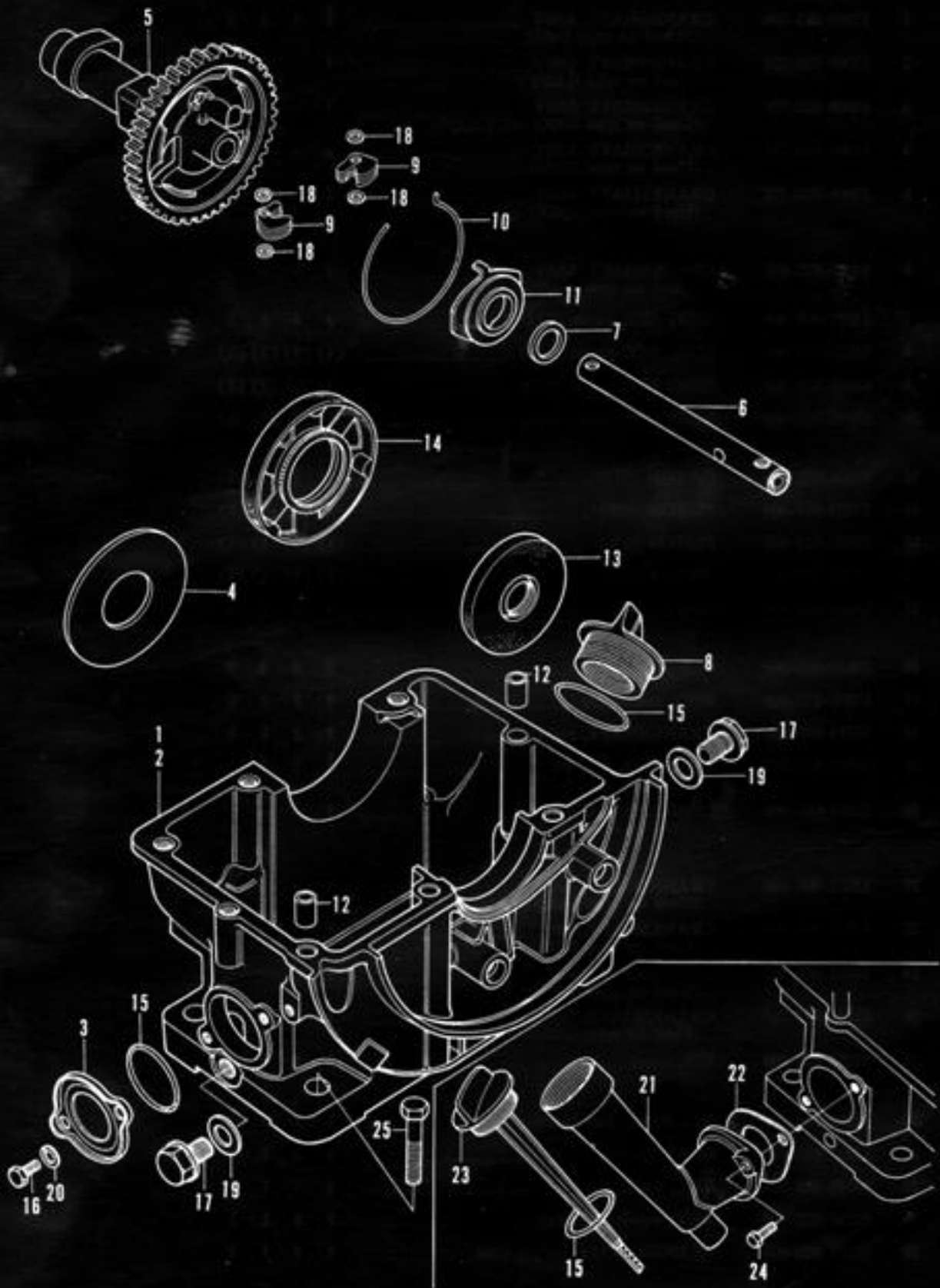


## G-10 Crankshaft

Ref. No.	Part No.	Description	Read. No.				Remarks
			G	E1	E2	F	
1	13000-822-030	CRANKSHAFT ASSY. .... (*Used on type G42D)	1	1	1	1	
2	13000-822-691	CRANKSHAFT ASSY. .... (Used on type G42P)	1	-	-	-	
3	13000-822-701	CRANKSHAFT ASSY. .... (Used on type G42Q and G42QT)	1	-	-	-	
4	13000-822-711	CRANKSHAFT ASSY. .... (Used on type G42U)	1	-	-	-	
5	13000-822-721	CRANKSHAFT ASSY. .... (Used on type G42V)	1	-	-	-	
6	13000-822-631	CRANKSHAFT ASSY. .... (Used on type G42HD)	1	-	-	-	
7	13011-805-000	RING SET, siston (STD.) .....	1	1	1	1	
8	13021-805-000	RING SET, piston (0.25) .....	(1)	(1)	(1)	(1)	
9	13031-805-000	RING SET, piston (0.50) .....	(1)	(1)	(1)	(1)	
10	13041-805-000	RING SET, piston (0.75) .....	(1)	(1)	(1)	(1)	
11	13101-822-000	PISTON (STD.) .....	1	1	1	1	
12	13102-822-000	PISTON (0.25) .....	(1)	(1)	(1)	(1)	
13	13103-822-000	PISTON (0.50) .....	(1)	(1)	(1)	(1)	
14	13104-822-000	PISTON (0.75) .....	(1)	(1)	(1)	(1)	
15	13111-805-000	PIN, piston .....	1	1	1	1	
16	13115-805-000	CLIP, piston pin .....	2	2	2	2	
17	13201-822-000	ROD, connecting .....	1	1	1	1	
18	13311-822-020	CRANKSHAFT, right .....	1	1	1	1	
19	13321-805-020	CRANKSHAFT, left .....	1	1	1	1	
		(*Used on type G42D)					
20	13321-807-680	CRANKSHAFT, left .....	1	-	-	-	
		(Used on type G42?)					
21	13321-807-690	CRANKSHAFT, left .....	1	-	-	-	
		(Used on type G42Q and G42QT)					
22	13321-807-700	CRANKSHAFT, left .....	1	-	-	-	
		(Used on type G42U)					
23	13321-807-710	CRANKSHAFT, left .....	1	-	-	-	
		(Used on type G42V)					
24	13321-807-730	CRANKSHAFT, left .....	1	-	-	-	
		(Used on type G42HD)					
25	13381-822-000	PIN, crank .....	1	1	1	1	
26	13491-701-000	SET-RING, ball bearing .....	1	1	1	1	
27	14311-822-000	GEAR, timing .....	1	1	1	1	
28	90741-805-000	KEY, 7×7×33 .....	1	-	1	1	
29	90743-822-010	KEY, woodruff 16×12 .....	1	1	1	1	
30	91001-822-000	BEARING BALL, radial, 6304 .....	1	1	1	1	
31	91002-805-000	BEARING BALL, radial, 6206SHS .....	1	1	1	1	
32	91101-805-000	ROLLER, rod, 2.48×18.8 .....	36	36	36	36	



G-11 Camshaft · Oil Pan



## G-11 Camshaft · Oil Pan

Ref. No.	Part No.	Description	Reqd. No.				Remarks
			G	E1	E2	F	
1	11200-865-000	PAN, oil ..... (*Used on type G42D, G42RD, G42CD and G42HD)	1	1	1	1	
2	11200-865-690	PAN, oil ..... (Used on type G42P, G42Q, G42U, G42V and G42QT)	1	-	-	-	
3	11210-822-010	COVER, oil pan hole .....	1	-	1	1	
4	11951-807-680	PLATE, attachment guide ..... (Used on type G42P, G42Q, G42U, G42V and G42QT)	1	-	-	-	
5	14101-822-020	CAM, shaft .....	1	1	1	1	
6	14210-822-020	CENTER COMP., camshaft .....	1	1	1	1	
7	14213-822-000	COLLAR, camshaft .....	1	1	1	1	
8	15611-921-000	CAP, oil .....	1	1	1	1	
9	16511-805-000	WEIGHT, governor .....	8	8	8	8	
10	16515-805-000	CENTER, governor weight .....	1	1	1	1	
11	16521-822-010	SLIDER, governor .....	1	1	1	1	
12	90701-200-000	PIN, knock, 8.5×11 .....	2	2	2	2	
13	91201-822-003	OIL-SEAL, PJ20528 .....	1	1	1	1	
14	91204-805-000	OIL-SEAL, PJ306510 .....	1	1	1	1	
15	91301-805-000	O-RING, 26×2.7 .....	2	2	2	2	
16	92000-06012	BOLT, hex., 6×12 .....	2	-	2	2	
17	92800-12000	BOLT, plug drain 12 mm .....	2	2	2	2	
18	94101-03000	WASHER, plain, 3 mm .....	4	4	4	4	
19	94109-12000	WASHER, plug drain, 12 mm .....	2	2	2	2	
20	94111-06000	WASHER, spring, 6 mm .....	2	2	2	2	
○21	11220-815-000	PIPE, oil .....	-	1	-	-	
○22	11211-822-000	PACKING, oil pan .....	-	1	-	-	
○23	15620-815-000	CAP, oil .....	-	1	-	-	
○24	92000-06020	BOLT, hex., 6×20 .....	-	2	-	-	
○25	92000-10040-0A	BOLT, hex., 10×40 .....	-	4	-	-	