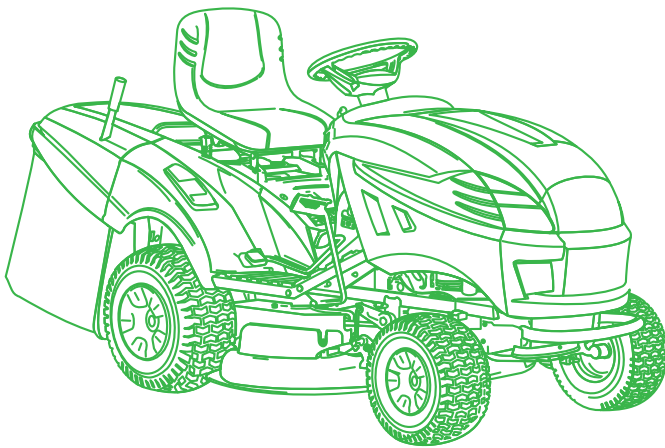


# ILLUSTRATED PARTS LIST

## NJTP 92 Hydro

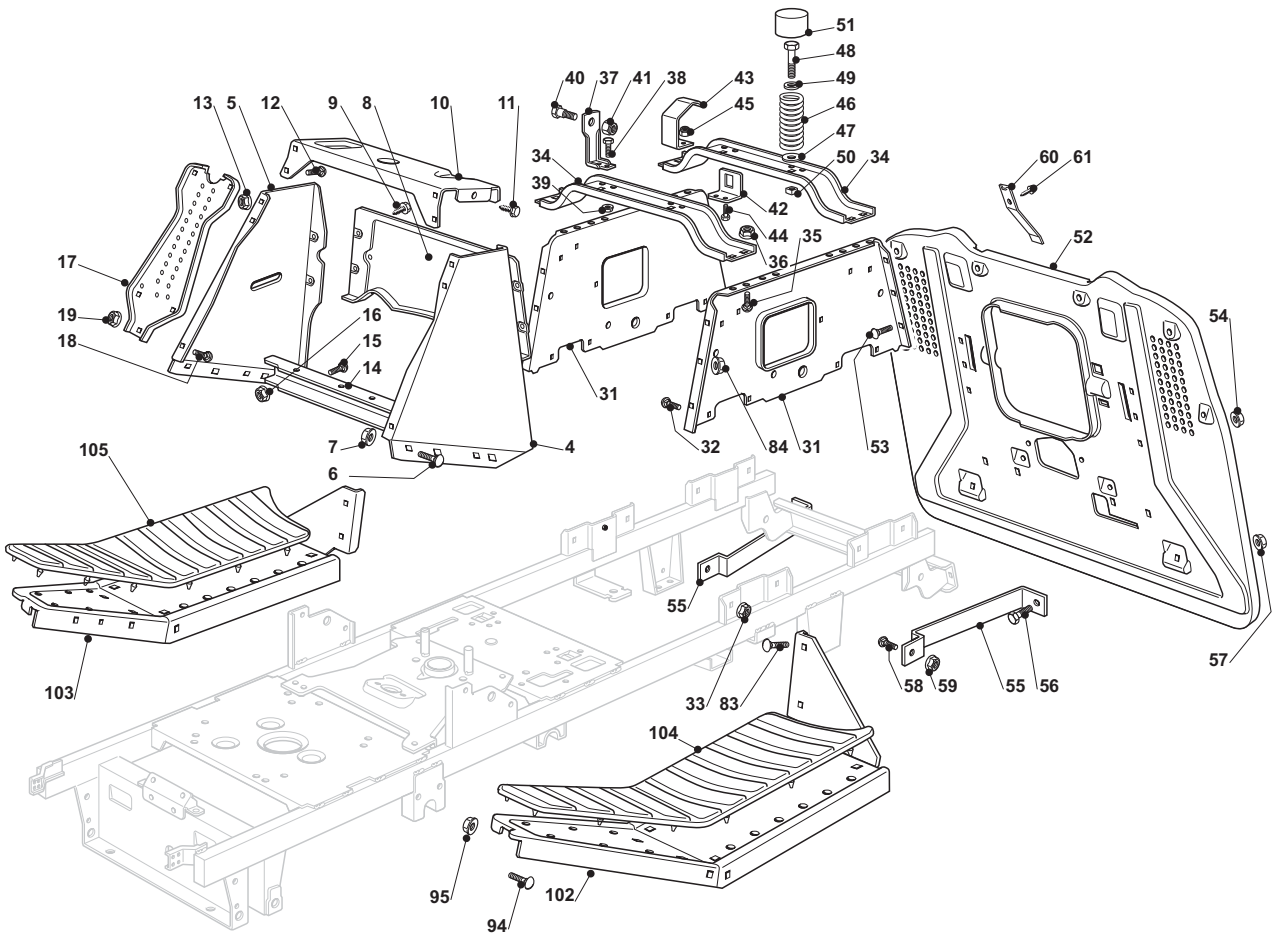


- Use GLOBAL GARDEN PRODUCT Genuine Spare Parts specified in the parts list for repair and/or replacement.
- The contents described in the parts list may change due to improvement.
- The drawings of the spare parts are only indicative and might not represent the part in question exactly.
- The indications "right" - "left" - "front" - "rear" refer to the position of the operator when using the machine.
- When placing orders of parts for repair and/or replacement, make sure that the illustrated parts list is the one applying to the machine's year of manufacture, as shown on the identification plate attached to the machine.

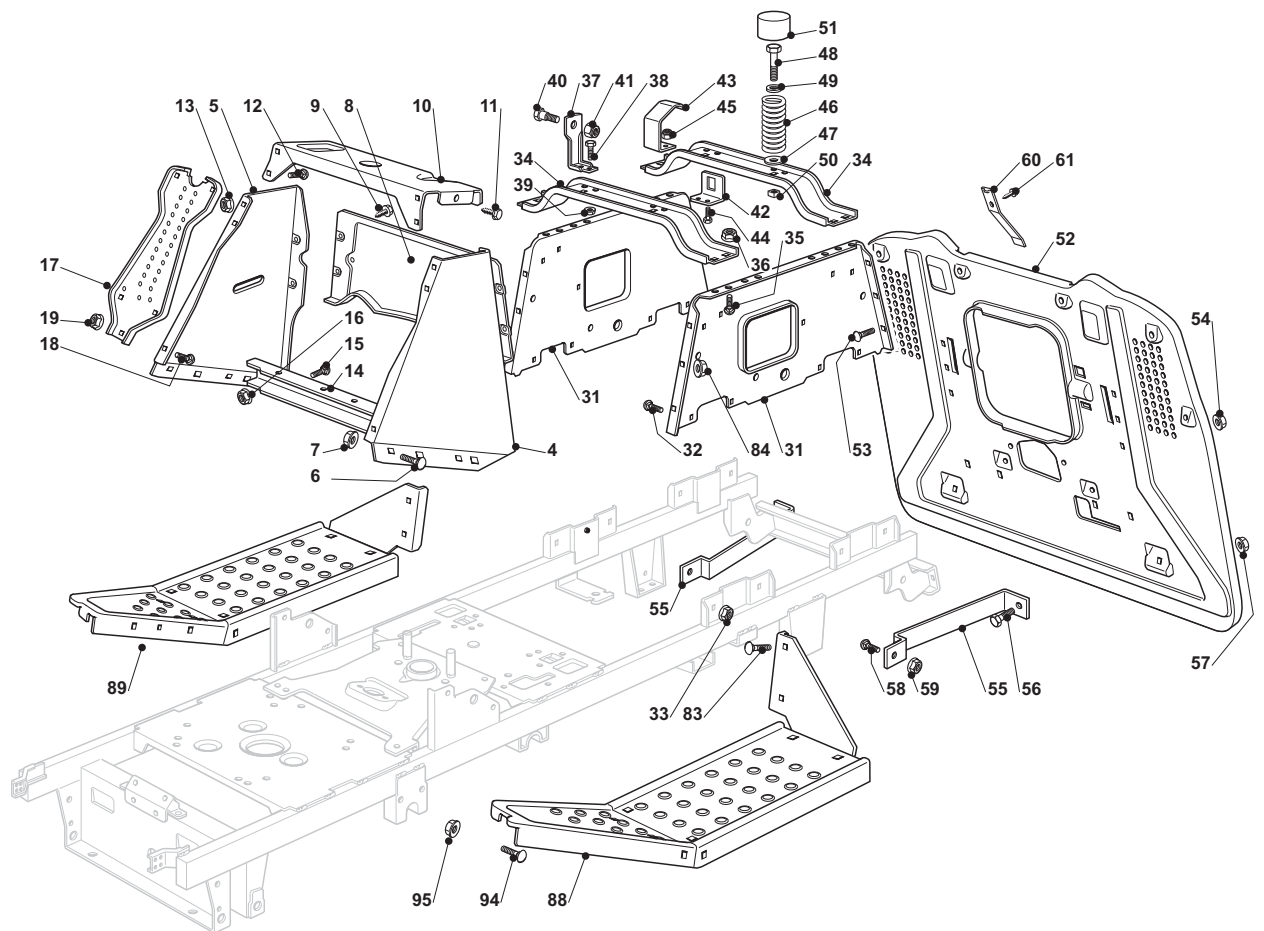
© Copyright 2013 Global Garden Products

All content is subject to copyright by Global Garden Products and may not be reproduced in whole or in part by any means, electronic or otherwise, without prior written approval.

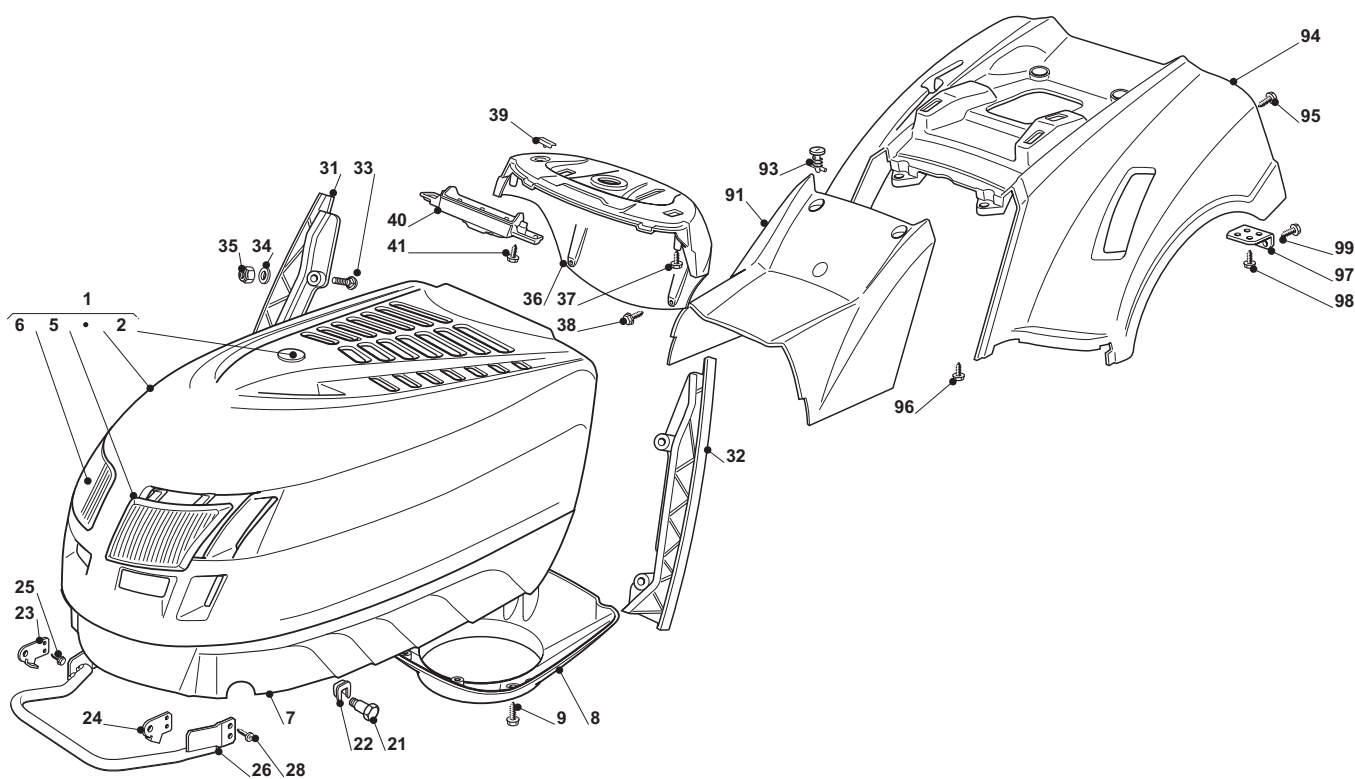
THIS INFORMATION IS NOT INTENDED FOR SALE OR RESALE, AND THIS NOTICE MUST REMAIN ON ALL COPIES.



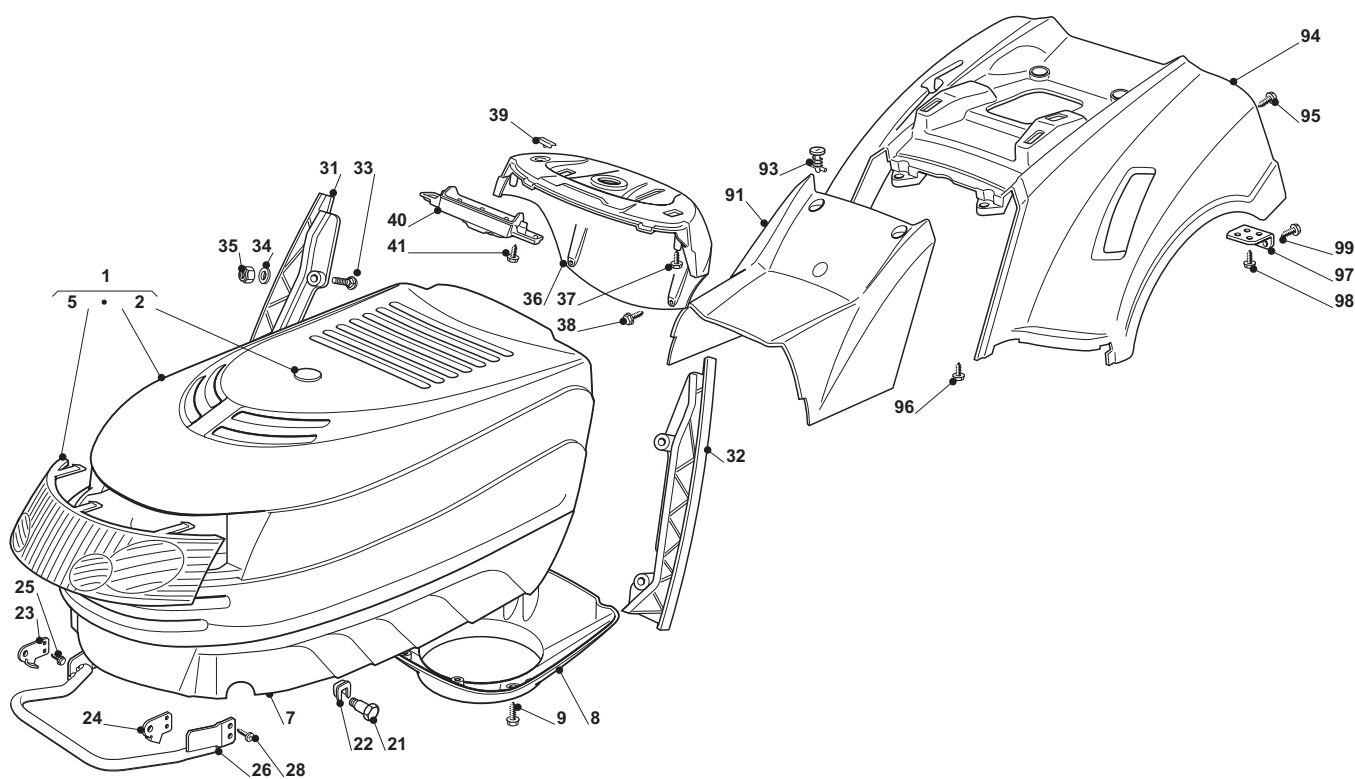
Chassis							
POS	CODE	Q.TY	DESCRIZIONE	DESCRIPTION	DESCRIPTION	BESCHREIBUNG	NOTES
4	325785243/1	1	Left Dashboard Support	Supp. Cruscotto Sinistro	Support Tableau Gauche	Linker Konsolehalter	
5	325785245/0	1	Right Dashboard Support	Supp. Cruscotto Destro	Support Tableau Droit	Rechter Konsolehalter	
6	112818690/0	4	Screw	Vite	Vis	Schraube	
7	112293201/0	4	Nut	Dado	Ecrou	Mutter	
8	382785151/1	1	Rear Dashboard Support	Supp. Cruscotto Posteriore	Support Tableau Arriere	Konsole Hinterrad	
9	112735110/0	4	Screw	Vite	Vis	Schraube	
10	325785255/0	1	Central Dashboard Support	Supporto Cruscotto	Support Tableau Centr.	Zentr. Konsole Halter	
11	112735110/0	2	Screw	Vite	Vis	Schraube	
12	112815200/0	4	Screw	Vite	Vis	Schraube	
13	112292102/0	4	Nut	Dado	Ecrou	Mutter	
14	325785241/0	1	Support	Supporto	Support	Halter	
15	112815200/0	2	Screw	Vite	Vis	Schraube	
16	112292102/0	2	Nut	Dado	Ecrou	Mutter	
17	382785153/1	2	Front Dashboard Support	Supp. Cruscotto Anteriore	Support Tableau Avant	Konsole Vorderrad	
18	112815200/0	2	Screw	Vite	Vis	Schraube	
19	112292102/0	2	Nut	Dado	Ecrou	Mutter	
31	325785249/1	2	Seat Support	Seat Support	Seat Support	Seat Support	
32	112815200/0	8	Screw	Vite	Vis	Schraube	
33	112292102/0	8	Nut	Dado	Ecrou	Mutter	
34	325785257/1	2	Seat Support	Seat Support	Seat Support	Seat Support	
35	112818690/0	8	Screw	Vite	Vis	Schraube	
36	112293201/0	8	Nut	Dado	Ecrou	Mutter	
37	325755039/0	2	Bracket	Staffa	Etrier	Bride	
38	112792611/0	4	Screw	Vite	Vis	Schraube	
39	112293201/0	4	Nut	Dado	Ecrou	Mutter	
40	122524970/2	2	Fulcrum Pin	Fulcrum Pin	Fulcrum Pin	Fulcrum Pin	
41	112155010/0	2	Self-Locking Nut	Dado Autobloccante	Écrou auto-bloquant	Selbstsichernde Mutter	
42	325755043/0	1	Bracket	Staffa	Etrier	Bride	
43	325430253/0	1	Spring	Molla	Ressort	Feder	
44	112789000/0	2	Screw	Vite	Vis	Schraube	
45	112154330/0	2	Low Self-Locking Nut	Dado Autobloccante	Écrou auto-bloquant	Selbstsichernde Mutter	
46	125430257/1	2	Spring	Molla	Ressort	Feder	
47	112523070/0	2	Washer	Rosetta	Rondelle	Scheibe	
48	112760515/0	2	Screw	Vite	Vis	Schraube	
49	122671653/0	2	Washer	Rosetta	Rondelle	Scheibe	
50	112360425/0	2	Nut	Dado	Ecrou	Mutter	
51	325122000/2	2	Spring	Molla	Ressort	Feder	
52	382547041/1	1	Plate	Piastra	Plaque	Platte	
53	112792611/0	6	Screw	Vite	Vis	Schraube	
54	112293201/0	6	Nut	Dado	Ecrou	Mutter	
55	325650119/0	2	Plate Stiffening	Plate Stiffening	Plate Stiffening	Plate Stiffening	
56	112792611/0	2	Screw	Vite	Vis	Schraube	
57	112293201/0	2	Nut	Dado	Ecrou	Mutter	
58	112818690/0	2	Screw	Vite	Vis	Schraube	
59	112293201/0	2	Nut	Dado	Ecrou	Mutter	
60	125430276/0	1	Spring	Molla	Ressort	Feder	
61	112735110/0	1	Screw	Vite	Vis	Schraube	
83	112792611/0	4	Screw	Vite	Vis	Schraube	
84	112293201/0	4	Nut	Dado	Ecrou	Mutter	
94	112815200/0	4	Screw	Vite	Vis	Schraube	
95	112292102/0	4	Nut	Dado	Ecrou	Mutter	
102	382510083/0	1	Left Footboard Support	Supporto Pedana Sinistra	Support Marchepied Gauche	Linke Fussbretthalter	
103	382510081/0	1	Right Footboard Support	Supporto Pedana Destra	Marchepied Droit Support	Rechte Fussbretthalter	
104	325110327/0	1	Left Footboard Cover	Copripedana Sinistra	Couvre Marchepied Gauche	Linke Fussbrettedeckel	
105	325110326/0	1	Right Footboard Cover	Copripedana Destra	Couvre Marchepied Droit	Rechte Fussbrettedeckel	



Chassis							
POS	CODE	Q.TY	DESCRIZIONE	DESCRIPTION	DESCRIPTION	BESCHREIBUNG	NOTES
4	325785243/1	1	Left Dashboard Support	Supp. Cruscotto Sinistro	Support Tableau Gauche	Linker Konsolehalter	
5	325785245/0	1	Right Dashboard Support	Supp. Cruscotto Destro	Support Tableau Droit	Rechter Konsolehalter	
6	112818690/0	4	Screw	Vite	Vis	Schraube	
7	112293201/0	4	Nut	Dado	Ecrou	Mutter	
8	382785151/1	1	Rear Dashboard Support	Supp. Cruscotto Posteriore	Support Tableau Arriere	Konsole Hinterrad	
9	112735110/0	4	Screw	Vite	Vis	Schraube	
10	325785255/0	1	Central Dashboard Support	Supporto Cruscotto Centrale	Support Tableau Centr.	Zentr. Konsole Halter	
11	112735110/0	2	Screw	Vite	Vis	Schraube	
12	112815200/0	4	Screw	Vite	Vis	Schraube	
13	112292102/0	4	Nut	Dado	Ecrou	Mutter	
14	325785241/0	1	Support	Supporto	Support	Halter	
15	112815200/0	2	Screw	Vite	Vis	Schraube	
16	112292102/0	2	Nut	Dado	Ecrou	Mutter	
17	382785153/1	2	Front Dashboard Support	Supp. Cruscotto Anteriore	Support Tableau Avant	Konsole Vorderrad	
18	112815200/0	2	Screw	Vite	Vis	Schraube	
19	112292102/0	2	Nut	Dado	Ecrou	Mutter	
31	325785249/1	2	Seat Support	Seat Support	Seat Support	Seat Support	
32	112815200/0	8	Screw	Vite	Vis	Schraube	
33	112292102/0	8	Nut	Dado	Ecrou	Mutter	
34	325785257/1	2	Seat Support	Seat Support	Seat Support	Seat Support	
35	112818690/0	8	Screw	Vite	Vis	Schraube	
36	112293201/0	8	Nut	Dado	Ecrou	Mutter	
37	325755039/0	2	Bracket	Staffa	Étrier	Bride	
38	112792611/0	4	Screw	Vite	Vis	Schraube	
39	112293201/0	4	Nut	Dado	Ecrou	Mutter	
40	122524970/2	2	Fulcrum Pin	Fulcrum Pin	Fulcrum Pin	Fulcrum Pin	
41	112155010/0	2	Self-Locking Nut	Dado Autobloccante	Écrou auto-bloquant	Selbstsichernde Mutter	
42	325755043/0	1	Bracket	Staffa	Étrier	Bride	
43	325430253/0	1	Spring	Molla	Ressort	Feder	
44	112789000/0	2	Screw	Vite	Vis	Schraube	
45	112154330/0	2	Low Self-Locking Nut	Dado Autobloccante	Écrou auto-bloquant	Selbstsichernde Mutter	
46	125430257/1	2	Spring	Molla	Ressort	Feder	
47	112523070/0	2	Washer	Rosetta	Rondelle	Scheibe	
48	112760515/0	2	Screw	Vite	Vis	Schraube	
49	122671653/0	2	Washer	Rosetta	Rondelle	Scheibe	
50	112360425/0	2	Nut	Dado	Ecrou	Mutter	
51	325122000/2	2	Spring	Molla	Ressort	Feder	
52	382547041/1	1	Plate	Piastra	Plaque	Platte	
53	112792611/0	6	Screw	Vite	Vis	Schraube	
54	112293201/0	6	Nut	Dado	Ecrou	Mutter	
55	325650119/0	2	Plate Stiffening	Plate Stiffening	Plate Stiffening	Plate Stiffening	
56	112792611/0	2	Screw	Vite	Vis	Schraube	
57	112293201/0	2	Nut	Dado	Ecrou	Mutter	
58	112818690/0	2	Screw	Vite	Vis	Schraube	
59	112293201/0	2	Nut	Dado	Ecrou	Mutter	
60	125430276/0	1	Spring	Molla	Ressort	Feder	
61	112735110/0	1	Screw	Vite	Vis	Schraube	
83	112792611/0	4	Screw	Vite	Vis	Schraube	
84	112293201/0	4	Nut	Dado	Ecrou	Mutter	
88	382510079/0	1	Left Footboard Support	Supporto Pedana Sinistra	Support Marchepied Gauche	Linke Fussbretthalter	
89	382510077/0	1	Right Footboard Support	Supporto Pedana Destra	Marchepied Droit Support	Rechte Fussbretthalter	
94	112815200/0	4	Screw	Vite	Vis	Schraube	
95	112292102/0	4	Nut	Dado	Ecrou	Mutter	

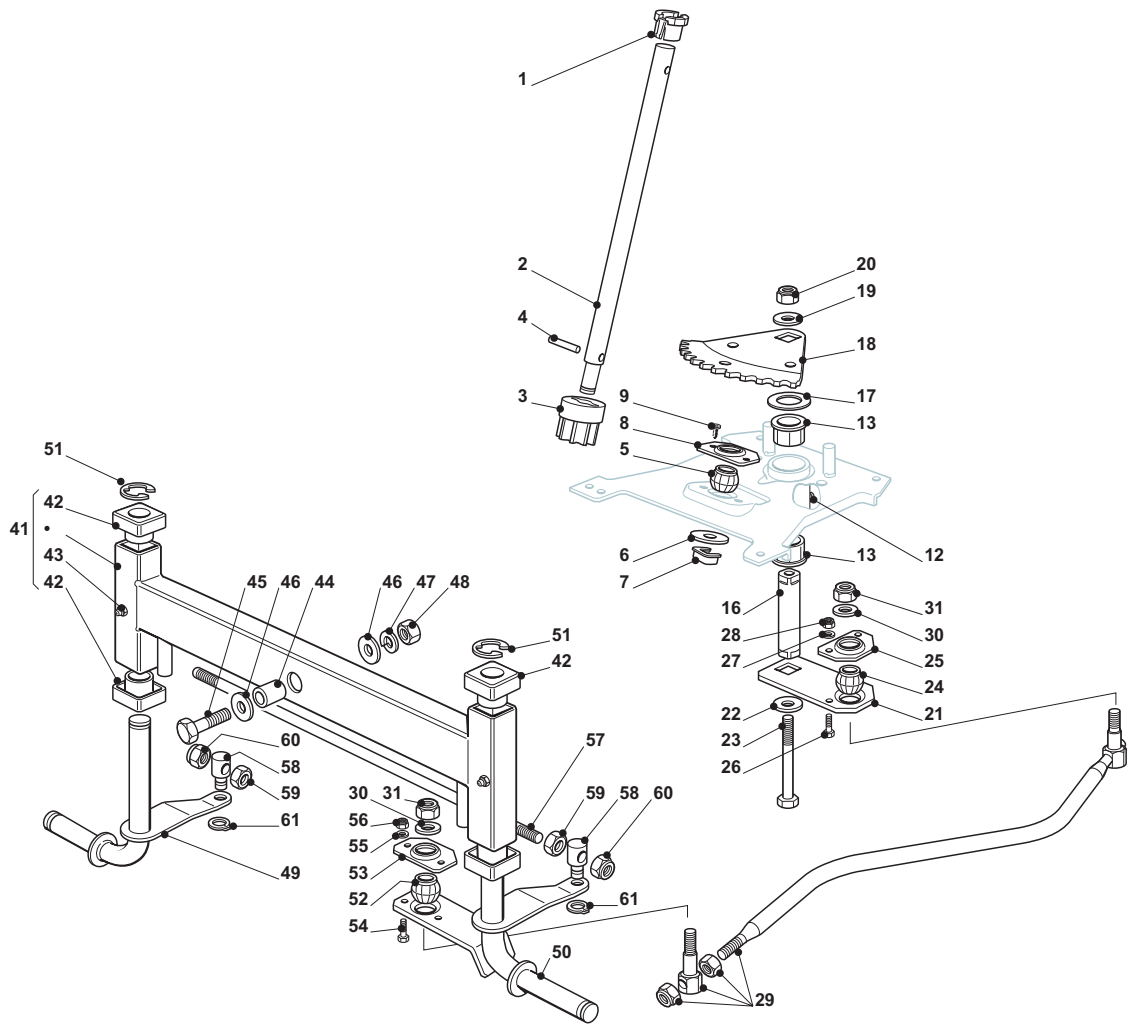


Body							In parts list notes identify as model NJTP
POS	CODE	Q.TY	DESCRIZIONE	DESCRIPTION	DESCRIPTION	BESCHREIBUNG	NOTES
1	382076841/3	1	Upper Engine Hood Red	Cofano Superiore Rosso	Capot Superieure Rouge	Oberhaubesatz Rot	
2	325547025/1	1	Plate	Piastrina	Plaque	Plättchen	
5	125410861/0	1	Left Grill	Mascherina Sinistra	Panneau Gauche	Linke Schutz	
6	125410860/0	1	Right Grill	Mascherina Destra	Panneau Droit	Rechte Schutz	
7	125076808/0	1	Lower Engine Hood	Cofano Inferiore	Capot Inferieure	Unterhaubesatz	
8	325108024/0	1	Conveyor	Convogliatore	Convoyeur	Konveyor	only for model with <b>Honda</b>
8	325108028/0	1	Conveyor	Convogliatore	Convoyeur	Konveyor	only for model with <b>B&amp;S-GGP-Kohler</b>
9	112728686/0	3	Screw	Vite	Vis	Schraube	
21	125510023/1	2	Pin	Perno	Pivot	Bolzen	
22	112436050/0	2	Plate	Piastra	Plaque	Platte	
23	325547089/1	1	Right Plate	Piastrina Destra	Plaque Droite	Rechte Plättchen	
24	325547091/1	1	Left Plate	Piastrina Sinistra	Plaque Gauche	Linke Platte	
25	112731580/0	4	Screw	Vite	Vis	Schraube	
26	382869033/0	1	Muffler Protection	Protezione Silenziatore	Protection Silencieux	Auspuffschutz	
28	112734995/0	4	Screw	Vite	Vis	Schraube	
31	325599012/0	1	Right Dashboard Support	Supp. Cruscotto Destro	Support Tableau Droit	Rechter Konsolehalter	
32	325599013/0	1	Left Dashboard Support	Supp. Cruscotto Sinistro	Support Tableau Gauche	Linker Konsolehalter	
33	112815221/0	4	Screw	Vite	Vis	Schraube	
34	112521330/0	4	Washer	Rosetta	Rondelle	Scheibe	
35	112154510/0	4	Nut	Dado	Ecrou	Mutter	
36	325120188/2	1	Dashboard	Cruscotto	Console	Konsole	
37	112728440/0	2	Screw	Vite	Vis	Schraube	
38	112735402/0	2	Screw	Vite	Vis	Schraube	
39	125260000/0	2	Grommet	Gommino	Caoutchouc	Gummi	
40	325600074/0	1	Card Protection	Protezione Scheda	Protection De Carte	Kartenschutz	
41	112735402/0	2	Screw	Vite	Vis	Schraube	
91	325110363/0	1	Cover, Red	Capottina Rossa	Capot Rouge	Haube Rot	
93	125580020/2	2	Pin	Perno	Pivot	Bolzen	
94	325110322/0	1	Red Wheels Cover	Copertura Ruote Rosso	Couvre Roues Rouge	Radenkappe Rot	
95	112735402/0	4	Screw	Vite	Vis	Schraube	
96	112735402/0	2	Screw	Vite	Vis	Schraube	
97	325755041/0	2	Bracket	Staffa	Etrier	Bride	
98	112728686/0	4	Screw	Vite	Vis	Schraube	
99	112735110/0	2	Screw	Vite	Vis	Schraube	

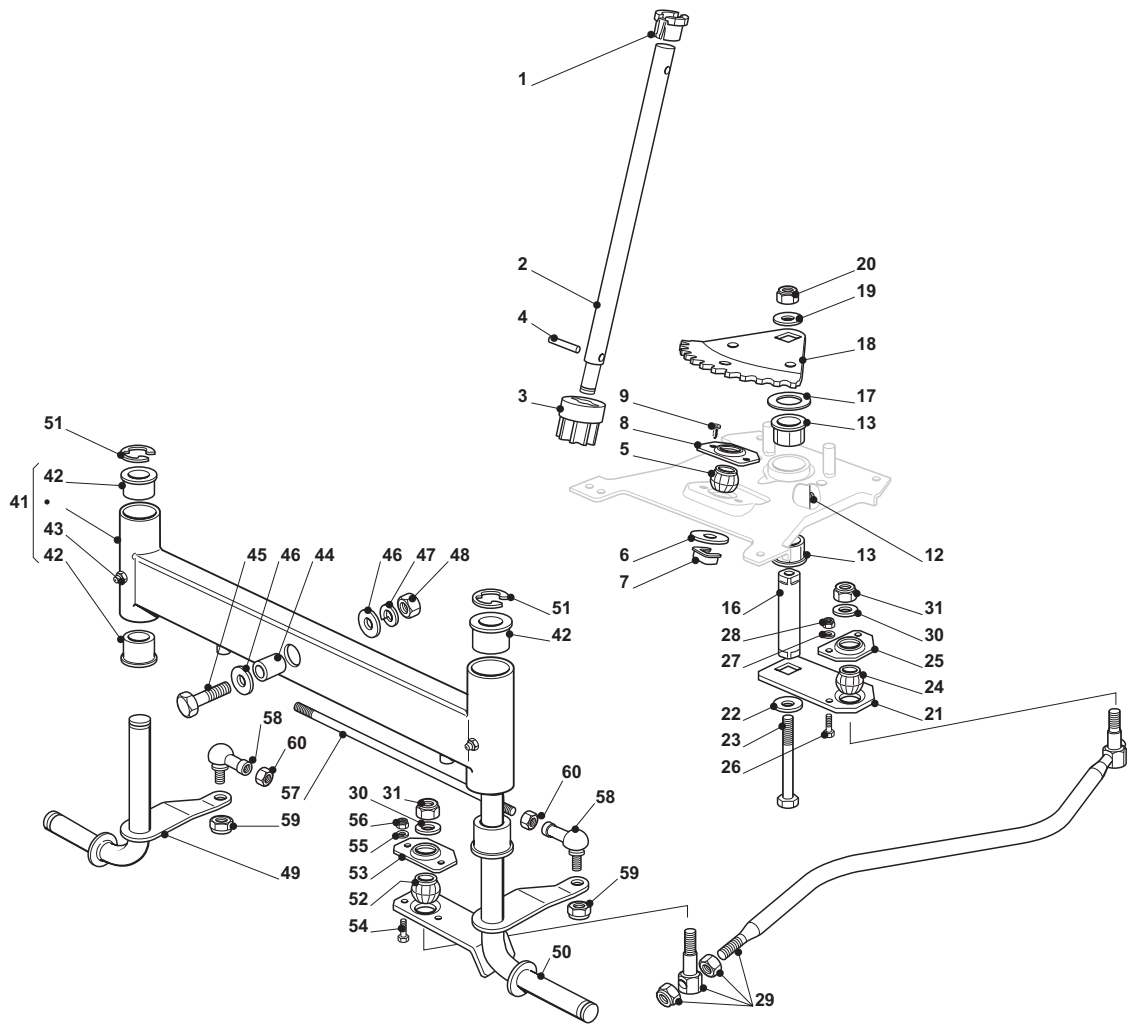




Body				In parts list notes identify as model NJTP			
POS	CODE	Q.TY	DESCRIZIONE	DESCRIPTION	DESCRIPTION	BESCHREIBUNG	NOTES
1	382076943/0	1	Upper Engine Hood Grey	Cofano Superiore Grigio	Capot Superieure Gris	Oberhaubesatz Grau	
2	325547183/0	1	Plate Grey	Piastrina Grigio	Plaque Gris	Plättchen Grau	
5	125410859/0	1	Light Grill	Mascherina Fari	Panneau Pharese	Schutz	
7	125076808/0	1	Lower Engine Hood	Cofano Inferiore	Capot Inferieure	Unterhaubesatz	
8	325108024/0	1	Conveyor	Convogliatore	Convoyeur	Konveyor	only for model with <b>Honda</b>
8	325108028/0	1	Conveyor	Convogliatore	Convoyeur	Konveyor	only for model with <b>B&amp;S-GGP-Kohler</b>
9	112728686/0	3	Screw	Vite	Vis	Schraube	
21	125510023/1	2	Pin	Perno	Pivot	Bolzen	
22	112436050/0	2	Plate	Piastra	Plaque	Platte	
23	325547089/1	1	Right Plate	Piastrina Destra	Plaque Droite	Rechte Plättchen	
24	325547091/1	1	Left Plate	Piastrina Sinistra	Plaque Gauche	Linke Platte	
25	112731580/0	4	Screw	Vite	Vis	Schraube	
26	382869033/0	1	Muffler Protection	Protezione Silenziatore	Protection Silencieux	Auspuffschutz	
28	112734995/0	4	Screw	Vite	Vis	Schraube	
31	325599012/0	1	Right Dashboard Support	Supp. Cruscotto Destro	Support Tableau Droit	Rechter Konsolehalter	
32	325599013/0	1	Left Dashboard Support	Supp. Cruscotto Sinistro	Support Tableau Gauche	Linker Konsolehalter	
33	112815221/0	4	Screw	Vite	Vis	Schraube	
34	112521330/0	4	Washer	Rosetta	Rondelle	Scheibe	
35	112154510/0	4	Nut	Dado	Ecrou	Mutter	
36	325120188/2	1	Dashboard	Cruscotto	Console	Konsole	
37	112728440/0	2	Screw	Vite	Vis	Schraube	
38	112735402/0	2	Screw	Vite	Vis	Schraube	
39	125260000/0	2	Grommet	Gommino	Caoutchouc	Gummi	
40	325600074/0	1	Card Protection	Protezione Scheda	Protection De Carte	Karteschutz	
41	112735402/0	2	Screw	Vite	Vis	Schraube	
91	325110369/0	1	Cover, Grey	Capottina Grigio	Capot Gris	Haube Grau	
93	125580020/2	2	Pin	Perno	Pivot	Bolzen	
94	325110341/0	1	Grey Wheels Cover	Copertura Ruote Grigio	Couvre Roues Gris	Radenkappe Grau	
95	112735402/0	4	Screw	Vite	Vis	Schraube	
96	112735402/0	2	Screw	Vite	Vis	Schraube	
97	325755041/0	2	Bracket	Staffa	Etrier	Bride	
98	112728686/0	4	Screw	Vite	Vis	Schraube	
99	112735110/0	2	Screw	Vite	Vis	Schraube	

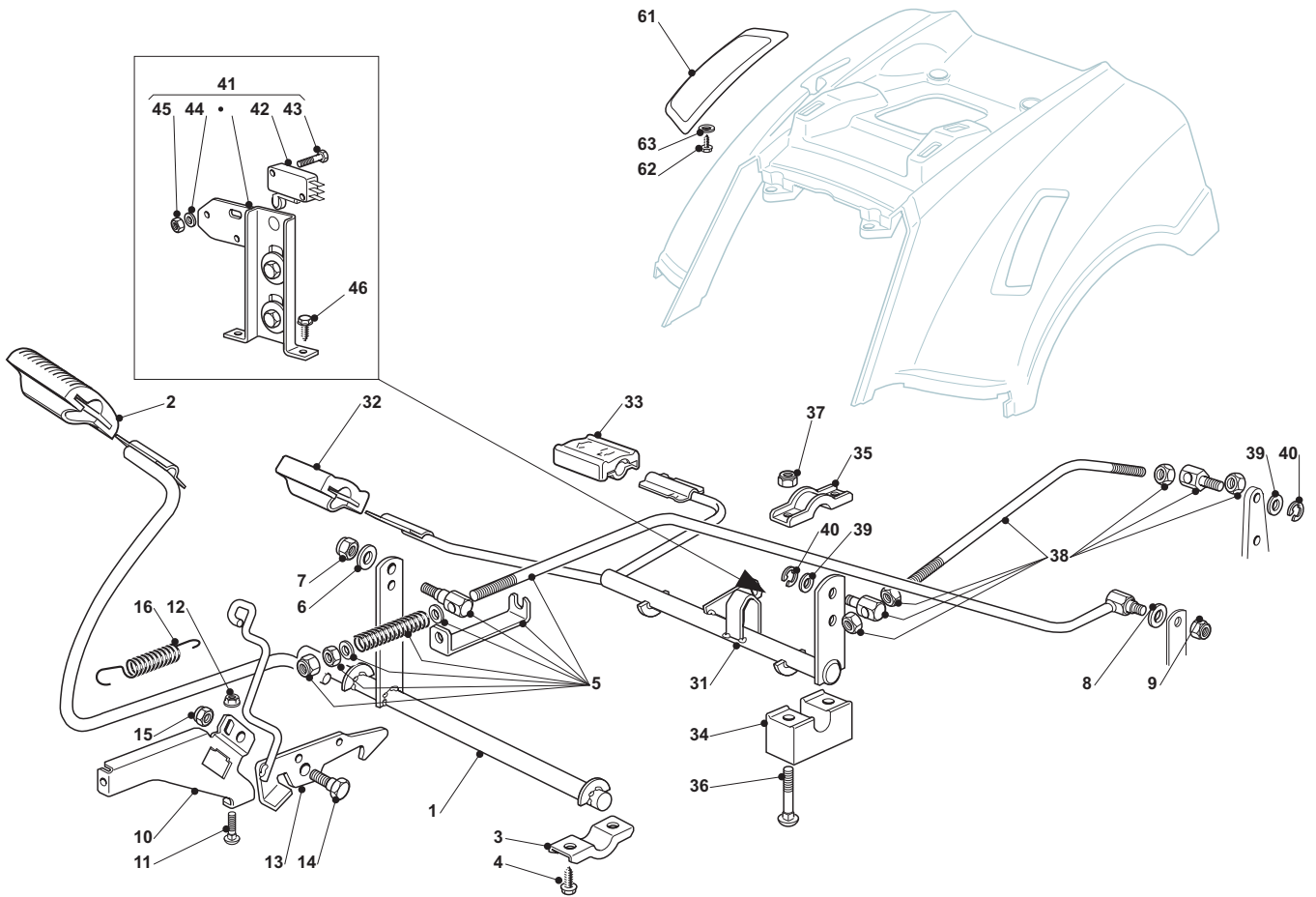


Steering 15"							
POS	CODE	Q.TY	DESCRIZIONE	DESCRIPTION	DESCRIPTION	BESCHREIBUNG	NOTES
1	325038004/0	1	Bush	Bussola	Douille	Büchse	
2	125520006/1	1	Steering Column	Piantone Sterzo	Tube De Direction	Lenkungsaeule	
3	127570050/0	1	Pinion	Pignone	Pignon	Ritzel	
4	112622650/0	1	Pin	Perno	Pivot	Bolzen	
5	325743000/0	1	Joint Tc/Junior	Snodo	Joint	Gelenk	
6	112521370/0	1	Washer	Rosetta	Rondelle	Scheibe	
7	112436030/0	1	Plate	Piastra	Plaque	Platte	
8	325785213/1	1	Support	Supporto	Support	Halter	
9	112729601/1	2	Screw	Vite	Vis	Schraube	
12	112379511/0	1	Grease Dispenser	Ingrassatore	Graisseur	Fettbüchse	
13	325040624/0	2	Bushing	Bussola	Douille	Büchse	
16	125510092/0	1	Pin	Perno	Pivot	Bolzen	
17	125670019/0	1	Washer	Rosetta	Rondelle	Scheibe	
18	325735513/0	1	Steering Shaft	Settore Sterzo	Secteur Direction	Lenkkranz	
19	112523080/0	1	Washer	Rosetta	Rondelle	Scheibe	
20	112155020/0	1	Self-Locking Nut	Dado Autobloccante	Écrou auto-bloquant	Selbstsichernde Mutter	
21	325318205/0	1	Lever	Leva	Levier	Hebel	
22	112523080/0	1	Washer	Rosetta	Rondelle	Scheibe	
23	112794985/0	1	Screw	Vite	Vis	Schraube	
24	325743000/0	1	Joint Tc/Junior	Snodo	Joint	Gelenk	
25	325785213/1	1	Support	Supporto	Support	Halter	
26	112791213/1	2	Screw	Vite	Vis	Schraube	
27	112521330/0	2	Washer	Rosetta	Rondelle	Scheibe	
28	112154510/0	2	Nut	Dado	Écrou	Mutter	
29	382000539/1	1	Steering Rod	Asta Comando Sterzo	Levier Barre De Direction	Lenkungsstab	
30	112523070/0	2	Washer	Rosetta	Rondelle	Scheibe	
31	112155010/0	2	Self-Locking Nut	Dado Autobloccante	Écrou auto-bloquant	Selbstsichernde Mutter	
41	382034024/1	1	Equalizer With Bush And Lubricator	Bilanciere Con Boccola Ed Ingrassatore	Balancier Avec Douille Et Graisseur	Kipphebel Mit Büchse Und Fettbüchse	
42	125034002/1	4	Bush	Bussola	Douille	Büchse	
43	112379511/0	2	Grease Dispenser	Ingrassatore	Graisseur	Fettbüchse	
44	125160016/0	1	Equalizer Spacer	Distanziale	Entretoise	Distanzring	
45	112692695/0	1	Screw	Vite	Vis	Schraube	
46	112523100/0	2	Washer	Rosetta	Rondelle	Scheibe	
47	112587100/0	1	Grower	Grower	Grower	Federring	
48	112295300/0	1	Hexagonal Nut	Dado	Écrou	Mutter	
49	382230363/0	1	Right Stub Axle	Fusello Destro	Fuseau Droit	Rechter Achsschenkel	
50	382230365/0	1	Left Stub Axle	Fusello Sinistro	Fuseau Gauche	Linker Achsschenkel	
51	112001000/0	2	Benzing Ring	Anello Benzing	Anneau Benzing	Ring Benzing	
52	325743000/0	1	Joint Tc/Junior	Snodo	Joint	Gelenk	
53	325785213/1	1	Support	Supporto	Support	Halter	
54	112791213/1	2	Screw	Vite	Vis	Schraube	
55	112521330/0	2	Washer	Rosetta	Rondelle	Scheibe	
56	112154510/0	2	Nut	Dado	Écrou	Mutter	
57	125840023/0	1	Tie Rod	Tirante	Tirant	Spannstange	
58	122746609/0	2	Joint	Snodo	Joint	Gelenk	
59	112156602/0	2	Nut	Dado	Écrou	Mutter	
60	112295201/0	2	Nut	Dado	Écrou	Mutter	

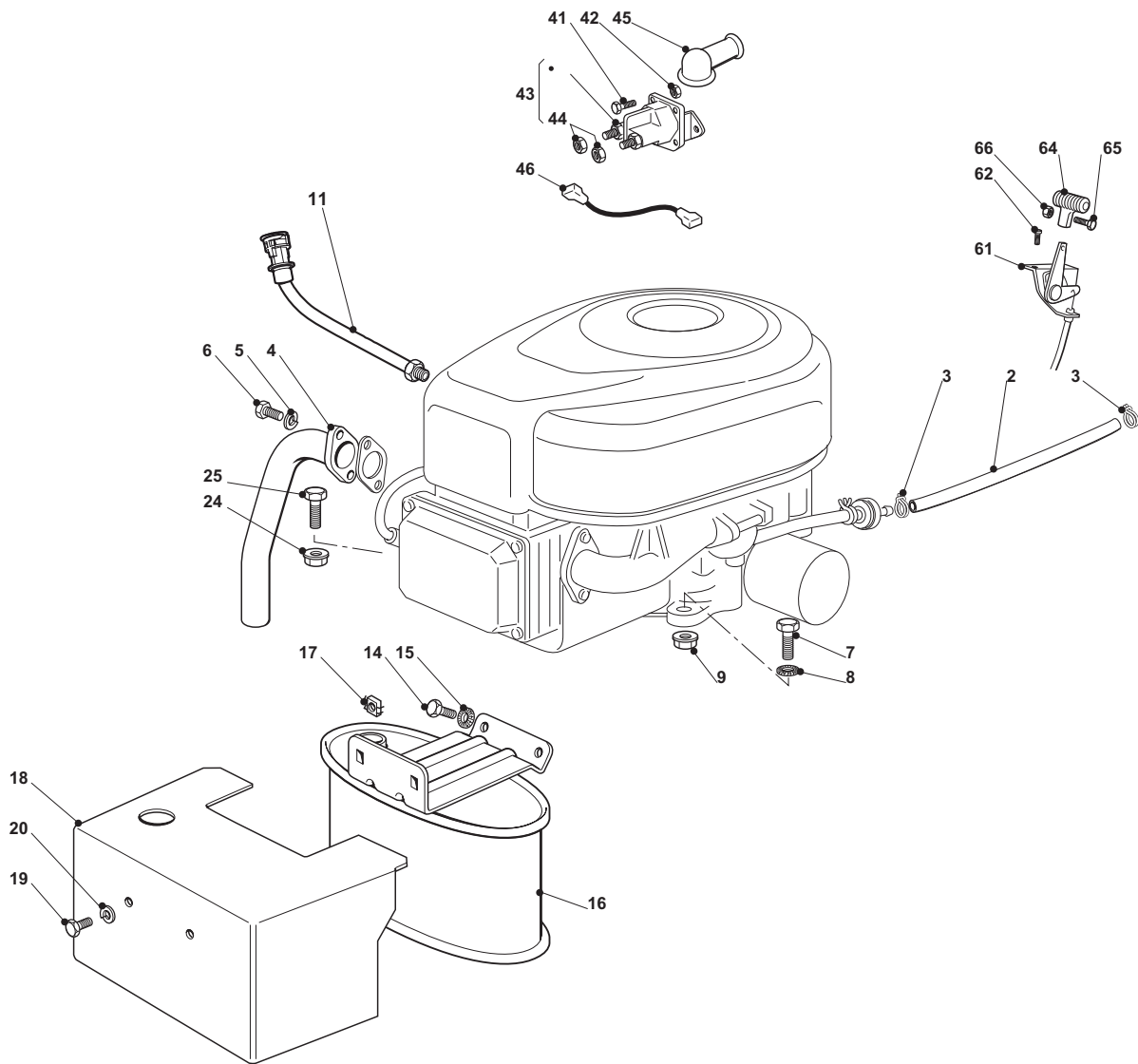


## Steering 13"

POS	CODE	Q.TY	DESCRIZIONE	DESCRIPTION	DESCRIPTION	BESCHREIBUNG	NOTES
1	325038004/0	1	Bush	Bussola	Douille	Büchse	
2	125520006/1	1	Steering Column	Steering Column	Steering Column	Steering Column	
3	127570050/0	1	Pinion	Pignone	Pignon	Ritzel	
4	112622650/0	1	Pin	Perno	Pivot	Bolzen	
5	325743000/0	1	Joint Tc/Junior	Snodo	Joint	Gelenk	
6	112521370/0	1	Washer	Rosetta	Rondelle	Scheibe	
7	112436030/0	1	Plate	Piastra	Plaque	Platte	
8	325785213/1	1	Support	Supporto	Support	Halter	
9	112729601/1	2	Screw	Vite	Vis	Schraube	
12	112379511/0	1	Grease Dispenser	Ingrassatore	Graisseur	Fettbüchse	
13	325040624/0	2	Bushing	Bushing	Bushing	Bushing	
16	125510092/0	1	Pin	Perno	Pivot	Bolzen	
17	125670019/0	1	Washer	Rosetta	Rondelle	Scheibe	
18	325735513/0	1	Steering Shaft	Settore Sterzo	Secteur Direction	Lenkkranz	
19	112523080/0	1	Washer	Rosetta	Rondelle	Scheibe	
20	112155020/0	1	Self-Locking Nut	Dado Autobloccante	Écrou auto-bloquant	Selbstsichernde Mutter	
21	325318205/0	1	Lever	Leva	Levier	Hebel	
22	112523080/0	1	Washer	Rosetta	Rondelle	Scheibe	
23	112794985/0	1	Screw	Vite	Vis	Schraube	
24	325743000/0	1	Joint Tc/Junior	Snodo	Joint	Gelenk	
25	325785213/1	1	Support	Supporto	Support	Halter	
26	112791213/1	2	Screw	Vite	Vis	Schraube	
27	112521330/0	2	Washer	Rosetta	Rondelle	Scheibe	
28	112154510/0	2	Nut	Dado	Écrou	Mutter	
29	382000538/1	1	Steering Rod	Asta Comando Sterzo	Barre De Direction	Lenkungsstab	
30	112523070/0	2	Washer	Rosetta	Rondelle	Scheibe	
31	112155010/0	2	Self-Locking Nut	Dado Autobloccante	Écrou auto-bloquant	Selbstsichernde Mutter	
41	382034021/1	1	Equalizer With Bush And Lubricator	Bilanciere Con Boccola Ed Ingrassatore	Balancier Avec Douille Et Graisseur	Kipphebel Mit Büchse Und Fettbüchse	
42	325040622/0	4	Bushing	Bussola	Douille	Büchse	
43	112379511/0	2	Grease Dispenser	Ingrassatore	Graisseur	Fettbüchse	
44	125160016/0	1	Equalizer Spacer	Distanziale	Entretoise	Distanzring	
45	112692695/0	1	Screw	Vite	Vis	Schraube	
46	112523100/0	2	Washer	Rosetta	Rondelle	Scheibe	
47	112587100/0	1	Grower	Grower	Grower	Federring	
48	112295300/0	1	Hexagonal Nut	Dado	Écrou	Mutter	
49	382230363/0	1	Right Stub Axle	Fusello Destro	Fuseau Droit	Rechter Achsschenkel	
50	382230365/0	1	Left Stub Axle	Fusello Sinistro	Fuseau Gauche	Linker Achsschenkel	
51	112001000/0	2	Benzing Ring	Anello Benzing	Anneau Benzing	Ring Benzing	
52	325743000/0	1	Joint Tc/Junior	Snodo	Joint	Gelenk	
53	325785213/1	1	Support	Supporto	Support	Halter	
54	112791213/1	2	Screw	Vite	Vis	Schraube	
55	112521330/0	2	Washer	Rosetta	Rondelle	Scheibe	
56	112154510/0	2	Nut	Dado	Écrou	Mutter	
57	125840022/0	1	Tie Rod	Tirante	Tirant	Spannstange	
58	125510096/0	2	Pin	Perno	Pivot	Bolzen	
59	112295200/0	2	Hexagonal Nut	Dado	Écrou	Mutter	
60	112156602/0	2	Nut	Dado	Écrou	Mutter	
61	112000956/0	2	Ring (Benzing)	Anello (Benzing)	Anneau (Benzing)	Ring (Benzing)	



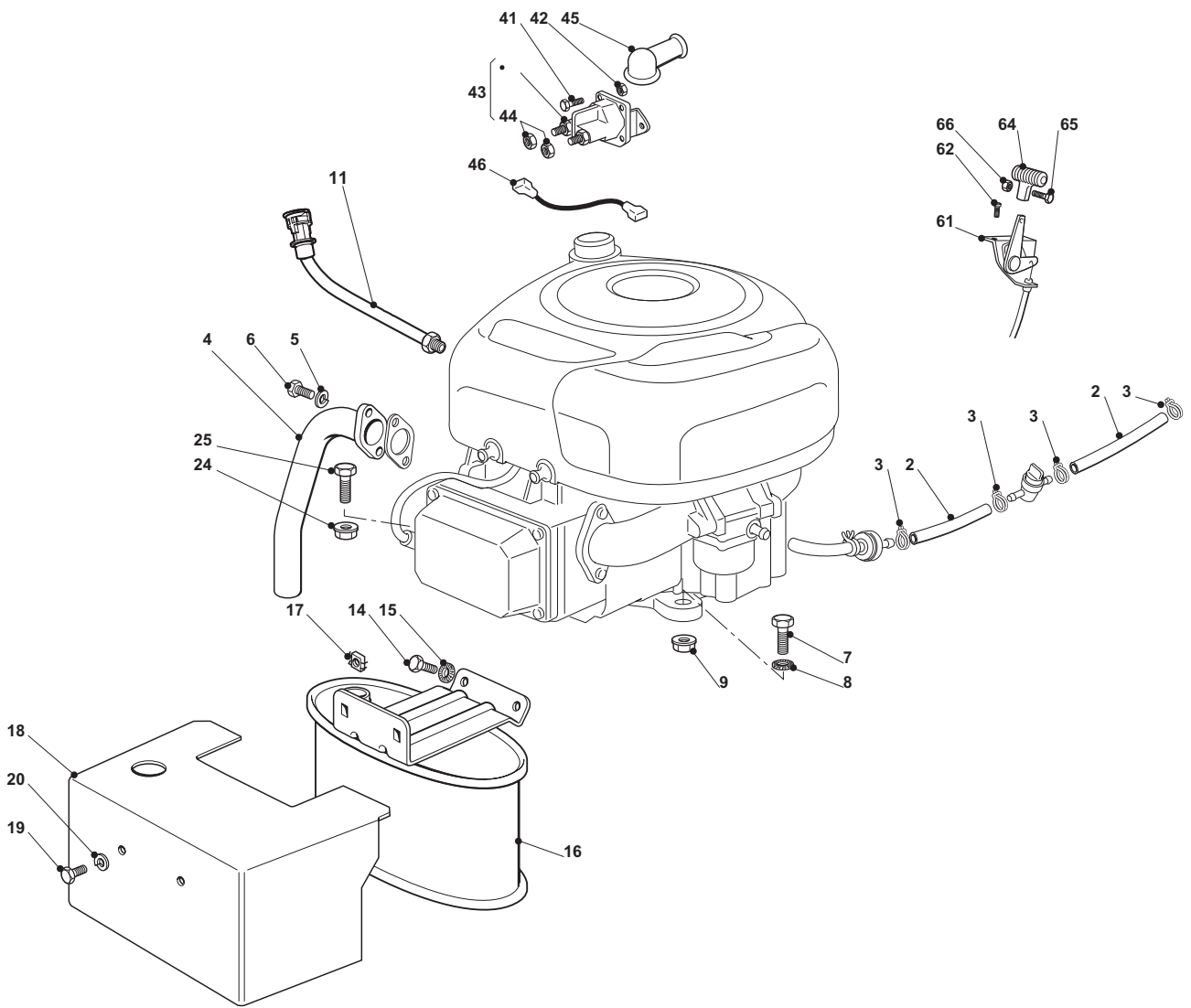
HydroGear, Brake And Gearbox Controls							
POS	CODE	Q.TY	DESCRIZIONE	DESCRIPTION	DESCRIPTION	BESCHREIBUNG	NOTES
1	382500029/1	1	Pedal	Pedal	Pedal	Pedal	
2	325110416/0	1	Clamp Cover	Copristaffa	Couvre Etrier	Bridedeckel	
3	327546015/1	2	Plate	Piastra	Plaque	Platte	
4	112729601/1	4	Screw	Vite	Vis	Schraube	
5	382000627/0	1	Rod (Hydro-Gear)	Asta (Hydro-Gear)	Barre (Hydro-Gear)	Stange (Hydro-Gear)	
6	112521350/0	1	Washer	Rosetta	Rondelle	Scheibe	
7	112155000/0	1	Nut	Dado	Ecrou	Mutter	
8	112521350/0	1	Washer	Rosetta	Rondelle	Scheibe	
9	112155000/0	1	Nut	Dado	Ecrou	Mutter	
10	325785261/0	1	Support	Supporto	Support	Halter	
11	112815200/0	2	Screw	Vite	Vis	Schraube	
12	112292102/0	2	Nut	Dado	Ecrou	Mutter	
13	382000531/0	1	Rod	Asta	Tige	Stange	
14	122524970/2	1	Fulcrum Pin	Fulcrum Pin	Fulcrum Pin	Fulcrum Pin	
15	112155000/0	1	Nut	Dado	Ecrou	Mutter	
16	125430213/0	1	Spring	Molla	Ressort	Feder	
31	382000605/0	1	Drive Pedal	Drive Pedal	Drive Pedal	Drive Pedal	
32	325110417/0	1	Clamp Cover Front	Copristaffa Anteriore	Couvre Etrier Avant	Bridedeckel Vorde	
33	325110418/0	1	Clamp Cover Rear	Copristaffa Posteriore	Couvre Etrier Arriere	Bridedeckel Hinter	
34	325785185/0	2	Support	Supporto	Support	Halter	
35	327546015/1	2	Plate	Piastra	Plaque	Platte	
36	112815245/0	4	Screw	Vite	Vis	Schraube	
37	112154510/0	4	Nut	Dado	Ecrou	Mutter	
38	382000578/0	1	Rod (Hydro-Gear)	Asta (Hydro-Gear)	Barre (Hydro-Gear)	Stange (Hydro-Gear)	
39	112523040/0	2	Washer	Rosetta	Rondelle	Scheibe	
40	112000940/0	2	Benzing Ring	Anello Benzing	Anneau Benzing	Ring Benzing	
41	382394853/0	1	Switch Ass.Y	Ass. Micro	Micro. Ens.	Mikrosatz	
42	119410609/0	1	Micro Switch	Micro Interruttore	Microinterrupteur	Mikroschalter	
43	112735602/0	2	Screw	Vite	Vis	Schraube	
44	112581100/0	2	Grower	Grower	Grower	Federring	
45	112290791/0	2	Hexagonal Nut	Dado	Ecrou	Mutter	
46	112735110/0	2	Screw	Vite	Vis	Schraube	
61	325207171/0	1	Cover (Hydro)	Copertura (Hydro)	Couvre (Hydro)	Kappe (Hydro)	
62	112735402/0	2	Screw	Vite	Vis	Schraube	
63	112523050/0	4	Washer	Rosetta	Rondelle	Scheibe	





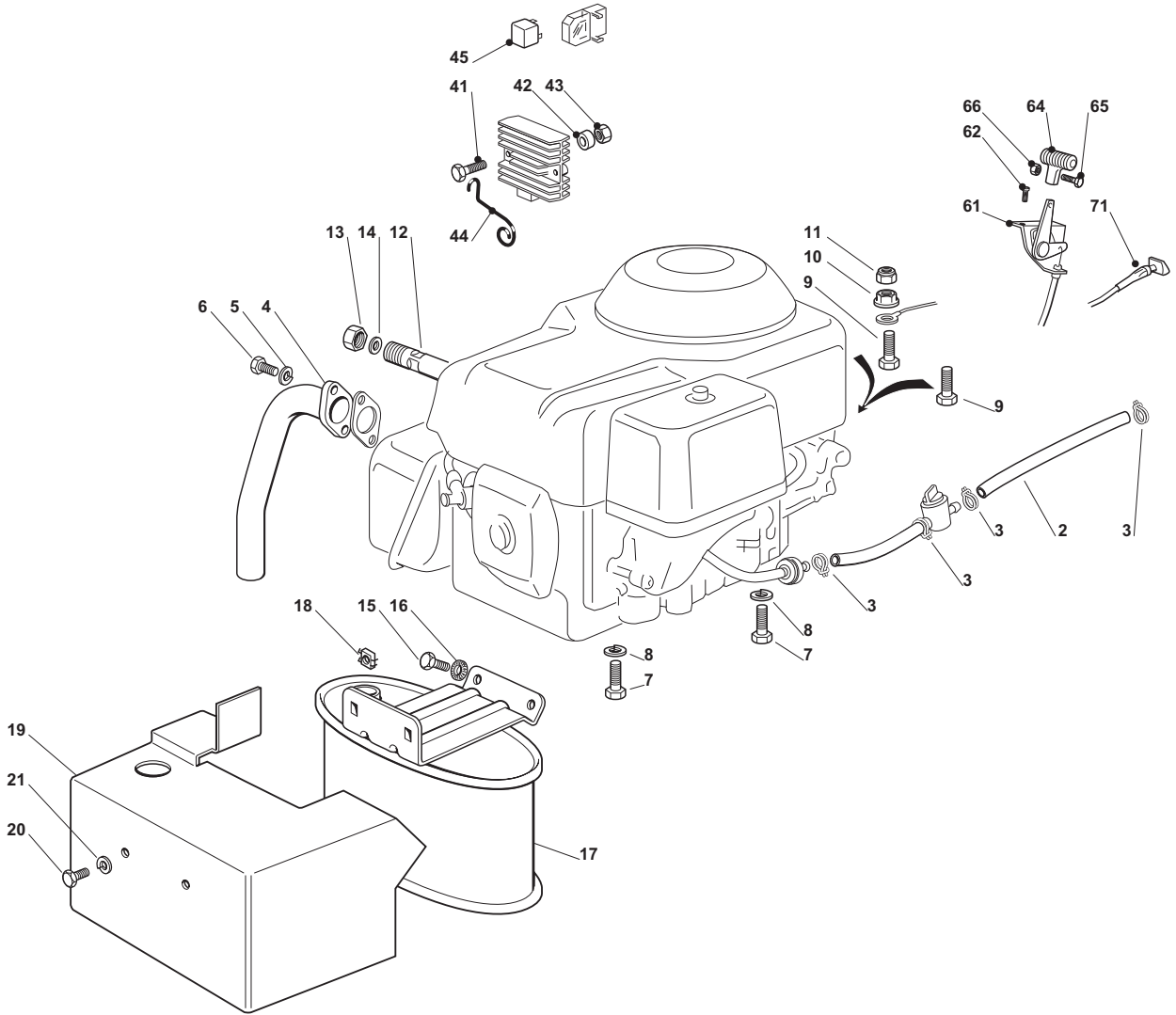
**Engine B&S 11,5-12,5-13,5**

POS	CODE	Q.TY	DESCRIZIONE	DESCRIPTION	DESCRIPTION	BESCHREIBUNG	NOTES
2	325869057/0	1	Connecting Tube	Tube Collegamento	Tube De Connexion	Verbindungsrohr	
3	118375051/1	4	Fair Led	Fascetta	Collier	Rohrschelle	
4	118738224/0	1	Exhaust Conn. Tube	Exhaust Conn. Tube	Exhaust Conn. Tube	Exhaust Conn. Tube	
5	112583500/0	2	Grower	Grower	Grower	Federring	
6	112735530/0	2	Screw	Vite	Vis	Schraube	
7	112691115/0	1	Screw	Vite	Vis	Schraube	
8	112540260/0	1	Grower	Grower	Grower	Federring	
9	112154210/0	1	Self-Locking Nut	Dado Autobloccante	Écrou auto-bloquant	Selbstsichernde Mutter	
11	1134-5827-01	1	Oil Drain Assy	Oil Drain Assy	Oil Drain Assy	Oil Drain Assy	
14	112793102/0	2	Screw	Vite	Vis	Schraube	
15	112540260/0	2	Grower	Grower	Grower	Federring	
16	182750010/0	1	Muffler	Silenziatore	Silencieux	Set Schalldämpfer	
17	112360425/0	2	Nut	Dado	Ecrou	Mutter	
18	382598009/2	1	Muffler Protection	Protezione Silenziatore	Protection Silencieux	Auspuffschutz	
19	112792611/0	2	Screw	Vite	Vis	Schraube	
20	112583500/0	2	Grower	Grower	Grower	Federring	
24	112154210/0	3	Self-Locking Nut	Dado Autobloccante	Écrou auto-bloquant	Selbstsichernde Mutter	
25	112691100/0	3	Screw	Vite	Vis	Schraube	
41	112791213/1	2	Screw	Vite	Vis	Schraube	
42	112292102/0	2	Nut	Dado	Ecrou	Mutter	
43	118736110/0	1	Starter Relay	Relé Avviamento	Relais D'Allumage	Anlassrelais	
44	112360352/0	2	Nut	Dado	Ecrou	Mutter	
45	118564861/1	1	Protection	Protezione	Protection	Schutz	
46	125065017/0	1	Cable	Cable	Cable	Cable	
61	182000200/1	1	Throttle Cable	Cavo Acceleratore	Câble Accélérateur	Gashebel Kabel	
62	125943012/0	2	Screw	Vite	Vis	Schraube	
64	325592000/0	1	Knob	Manopola	Poignee	Knopf	
65	112726388/0	1	Screw	Vite	Vis	Schraube	
66	112290800/0	1	Hexagonal Nut	Dado	Ecrou	Mutter	



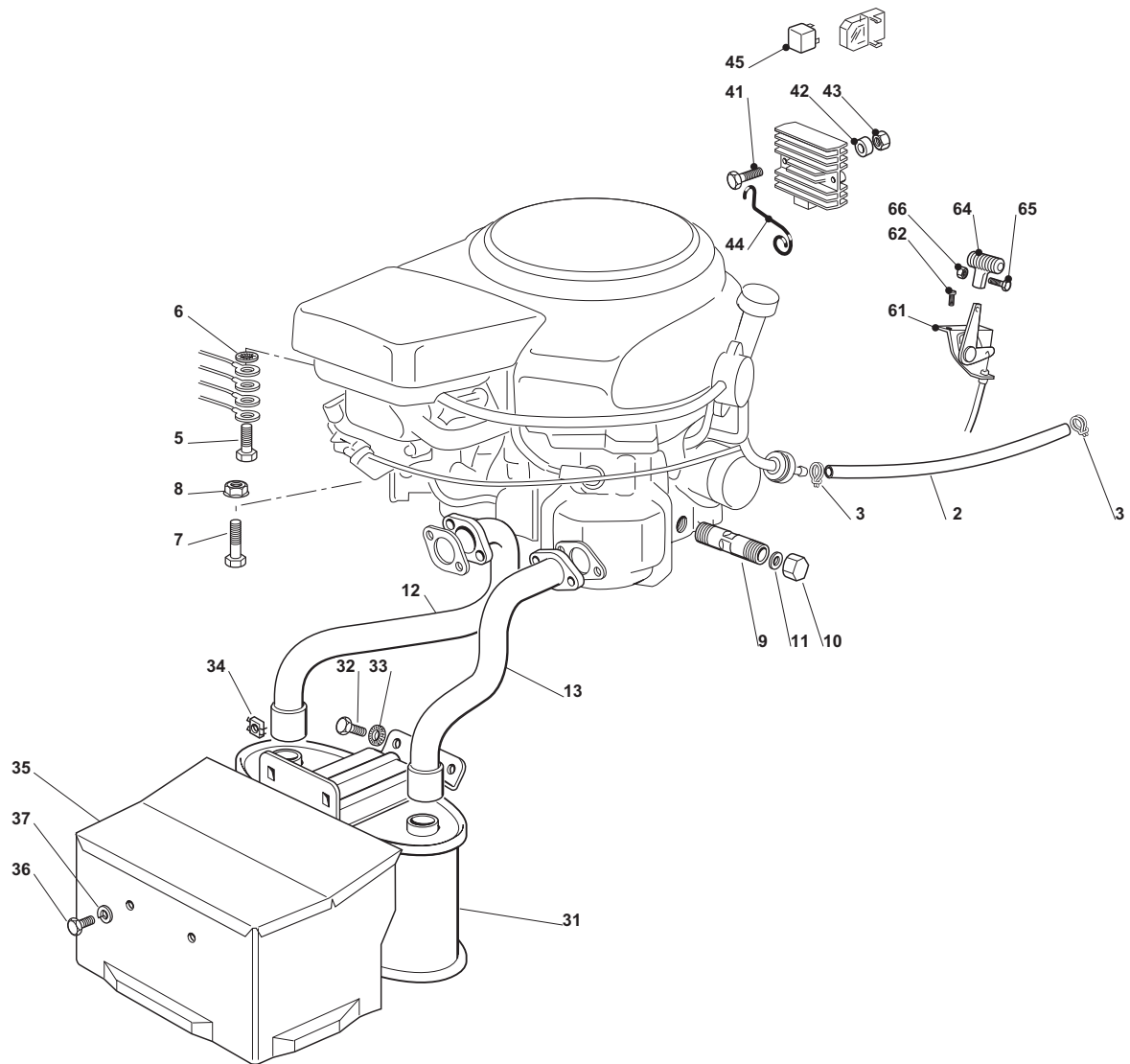
**Engine B&S 15,5-16,5**

POS	CODE	Q.TY	DESCRIZIONE	DESCRIPTION	DESCRIPTION	BESCHREIBUNG	NOTES
2	325869057/0	1	Connecting Tube	Tube Collegamento	Tube De Connexion	Verbindungsrohr	
3	118375051/1	2	Fair Led	Fascetta	Collier	Rohrschelle	
4	118738206/0	1	Discharged Connect.Tube	Discharged Connect.Tube	Discharged Connect.Tube	Discharged Connect.Tube	
5	112583500/0	2	Grower	Grower	Grower	Federring	
6	112735530/0	2	Screw	Vite	Vis	Schraube	
7	112691115/0	1	Screw	Vite	Vis	Schraube	
8	112540260/0	1	Grower	Grower	Grower	Federring	
9	112154210/0	1	Self-Locking Nut	Dado Autobloccante	Écrou auto-bloquant	Selbstsichernde Mutter	
11	1134-5827-01	1	Oil Drain Assy	Oil Drain Assy	Oil Drain Assy	Oil Drain Assy	
14	112793102/0	2	Screw	Vite	Vis	Schraube	
15	112540260/0	2	Grower	Grower	Grower	Federring	
16	182750010/0	1	Muffler	Silenziatore	Silencieux	Set Schalldämpfer	
17	112360425/0	2	Nut	Dado	Écrou	Mutter	
18	382598009/2	1	Muffler Protection	Protezione Silenziatore	Protection Silencieux	Auspuffschutz	
19	112792611/0	2	Screw	Vite	Vis	Schraube	
20	112583500/0	2	Grower	Grower	Grower	Federring	
24	112154210/0	3	Self-Locking Nut	Dado Autobloccante	Écrou auto-bloquant	Selbstsichernde Mutter	
25	112691100/0	3	Screw	Vite	Vis	Schraube	
41	112791213/1	2	Screw	Vite	Vis	Schraube	
42	112292102/0	2	Nut	Dado	Écrou	Mutter	
43	118736110/0	1	Starter Relay	Relé Avviamento	Relais D'Allumage	Anlassrelais	
44	112360352/0	2	Nut	Dado	Écrou	Mutter	
45	118564861/1	1	Protection	Protezione	Protection	Schutz	
46	125065017/0	1	Cable	Cable	Cable	Cable	
61	182000200/1	1	Throttle Cable	Cavo Acceleratore	Câble Accélérateur	Gashebel Kabel	
62	125943012/0	2	Screw	Vite	Vis	Schraube	
64	325592000/0	1	Knob	Manopola	Poignee	Knopf	
65	112726388/0	1	Screw	Vite	Vis	Schraube	
66	112290800/0	1	Hexagonal Nut	Dado	Écrou	Mutter	



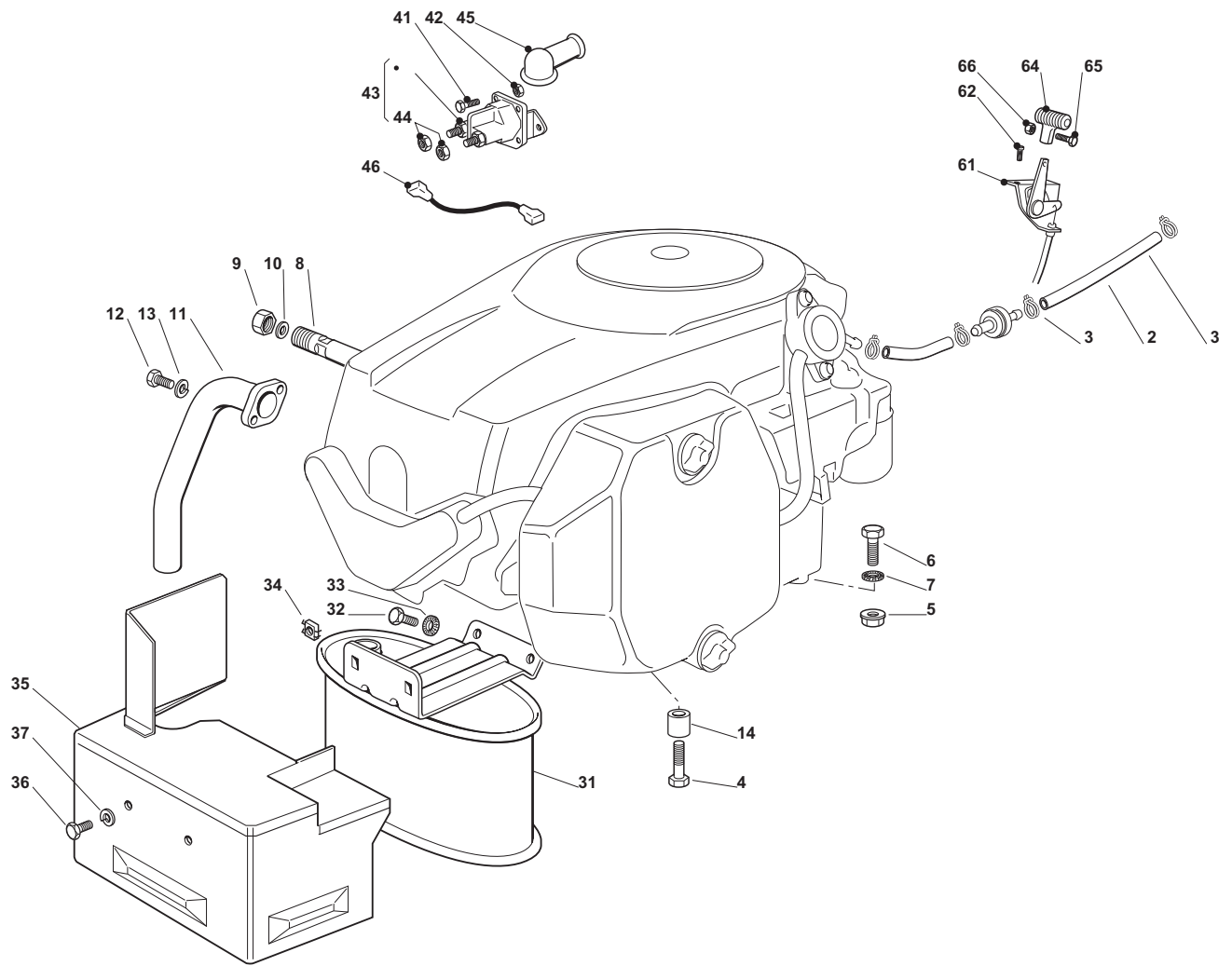
**Engine Honda GXV 390**

POS	CODE	Q.TY	DESCRIZIONE	DESCRIPTION	DESCRIPTION	BESCHREIBUNG	NOTES
2	325869057/0	1	Connecting Tube	Tube Collegamento	Tube De Connexion	Verbindungsrohr	
3	118375051/1	4	Fair Led	Fascetta	Collier	Rohrschelle	
4	118738204/0	1	Discharged Connect.Tube	Discharged Connect.Tube	Discharged Connect.Tube	Discharged Connect.Tube	
5	112583500/0	2	Grower	Grower	Grower	Federring	
6	112793102/0	2	Screw	Vite	Vis	Schraube	
7	112735802/0	2	Screw	Vite	Vis	Schraube	
8	112583500/0	2	Grower	Grower	Grower	Federring	
9	112691100/0	2	Screw	Vite	Vis	Schraube	
10	112154210/0	2	Self-Locking Nut	Dado Autobloccante	Écrou auto-bloquant	Selbstsichernde Mutter	
11	112155000/0	1	Nut	Dado	Ecrou	Mutter	
12	125598050/0	1	Oil Discharge Extension	Oil Discharge Extension	Oil Discharge Extension	Oil Discharge Extension	
13	118737849/0	1	Plug	Tappo	Bouchon	Stopfen	
14	118401001/1	1	Oil Seal	Anello Di Tenuta	Anneau De Tenue	Dichtring	
15	112792611/0	2	Screw	Vite	Vis	Schraube	
16	112540260/0	2	Grower	Grower	Grower	Federring	
17	182750010/0	1	Muffler	Silenziatore	Silencieux	Set Schalldämpfer	
18	112360425/0	2	Nut	Dado	Ecrou	Mutter	
19	382598003/1	1	Muffler Protection	Protezione Silenziatore	Protection Silencieux	Auspuffschutz	
20	125943012/0	2	Screw	Vite	Vis	Schraube	
21	112583500/0	2	Grower	Grower	Grower	Federring	
41	112815221/0	2	Screw	Vite	Vis	Schraube	
42	122170950/0	2	Spacer	Distanziale	Entretoise	Distanzring	
43	112292102/0	2	Nut	Dado	Ecrou	Mutter	
44	127430561/0	1	Spring	Molla	Ressort	Feder	
45	133567000/0	1	Relay	Relay	Relay	Relay	
61	184000251/1	1	Accelerator	Acceleratore	Accelérateur	Gas Zug	
62	112788512/0	2	Screw	Vite	Vis	Schraube	
64	325592000/0	1	Knob	Manopola	Poignee	Knopf	
65	112726388/0	1	Screw	Vite	Vis	Schraube	
66	112290800/0	1	Hexagonal Nut	Dado	Ecrou	Mutter	
71	125090007/0	1	Choke Control	Choke Control	Choke Control	Choke Control	



**Engine Honda GXV 530**

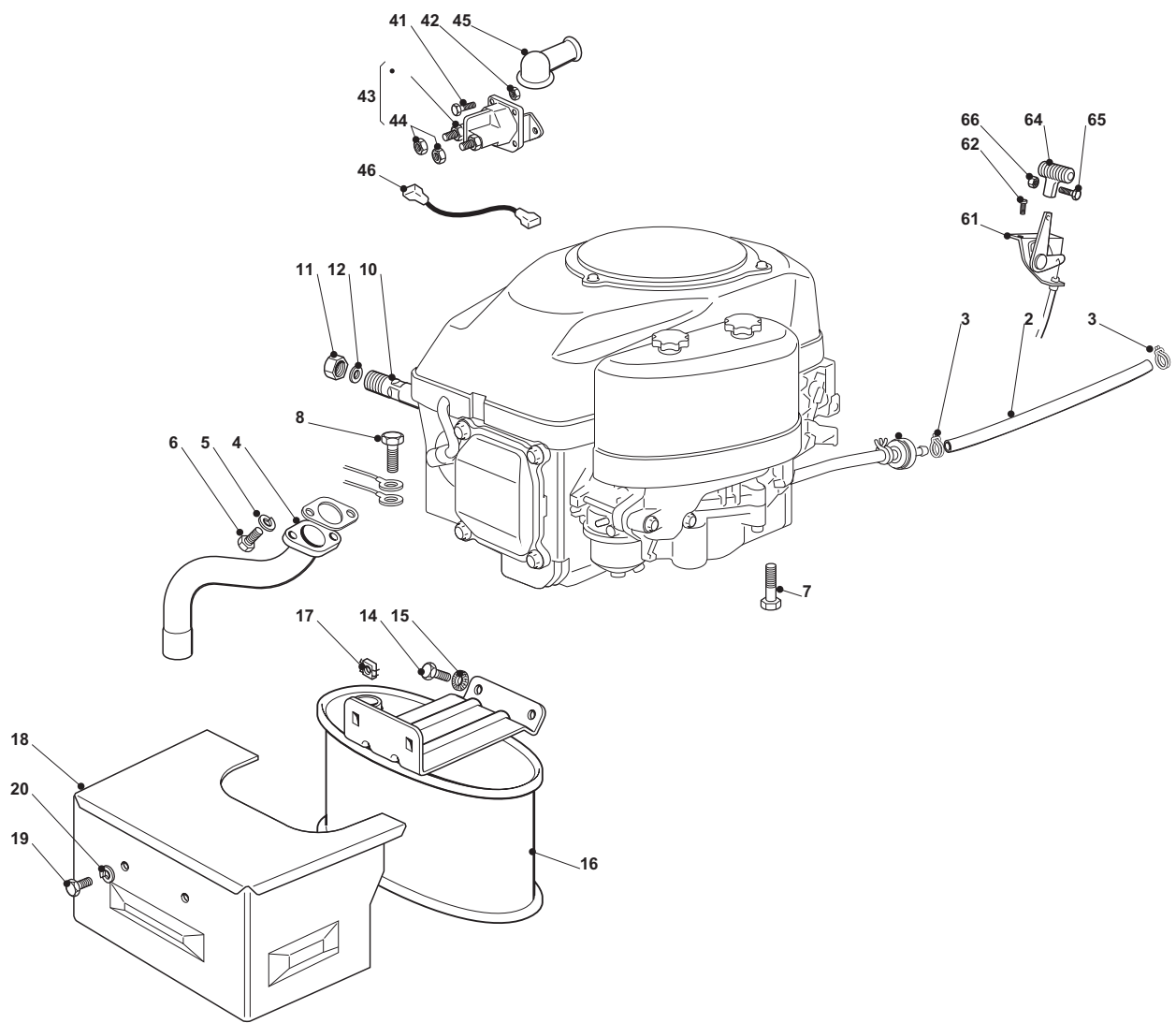
POS	CODE	Q.TY	DESCRIZIONE	DESCRIPTION	DESCRIPTION	BESCHREIBUNG	NOTES
2	325869057/0	1	Connecting Tube	Tube Collegamento	Tube De Connexion	Verbindungsrohr	
3	118375051/1	2	Fair Led	Fascetta	Collier	Rohrschelle	
5	112735599/0	1	Screw	Vite	Vis	Schraube	
6	112540260/0	1	Grower	Grower	Grower	Federring	
7	112691115/0	4	Screw	Vite	Vis	Schraube	
8	112154210/0	4	Self-Locking Nut	Dado Autobloccante	Écrou auto-bloquant	Selbstsichernde Mutter	
9	125598052/0	1	Oil Discharge Extention	Prolunga Scarico Olio	Rallonge Dechargement Huile	Öl Abfluss	
10	118737849/0	1	Plug	Tappo	Bouchon	Stopfen	
11	118401001/1	1	Oil Seal	Anello Di Tenuta	Anneau De Tenue	Dichtring	
12	118738221/0	1	Exhaust Tube Right	Tube Scarico Destro	Tube Echappement Droit	Abgasrohr, Rechte	
13	118738222/0	1	Right Exhaust Connection	Raccordo Scarico Destro	Connexion Echappement Droite	Auspuffanschluss, Rechte	
31	182750003/0	1	Muffler Assy	Ass. Silenziatore	Silencieux	Set Schalldämpfer	
32	112793102/0	2	Screw	Vite	Vis	Schraube	
33	112540260/0	2	Grower	Grower	Grower	Federring	
34	112360425/0	2	Nut	Dado	Ecrou	Mutter	
35	382598005/2	1	Muffler Protection	Protezione Silenziatore	Protection Silencieux	Auspuffschutz	
36	112792611/0	2	Screw	Vite	Vis	Schraube	
37	112583500/0	2	Grower	Grower	Grower	Federring	
41	112815221/0	2	Screw	Vite	Vis	Schraube	
42	122170950/0	2	Spacer	Distanziale	Entretoise	Distanzring	
43	112292102/0	2	Nut	Dado	Ecrou	Mutter	
44	127430561/0	1	Spring	Molla	Ressort	Feder	
45	133567000/0	1	Relay	Relay	Relay	Relay	
61	182000201/2	1	Throttle Cable	Cavo Acceleratore	Câble Accélérateur	Gashebel Kabel	
62	125943012/0	2	Screw	Vite	Vis	Schraube	
64	325592000/0	1	Knob	Manopola	Poignee	Knopf	
65	112726388/0	1	Screw	Vite	Vis	Schraube	
66	112290800/0	1	Hexagonal Nut	Dado	Ecrou	Mutter	



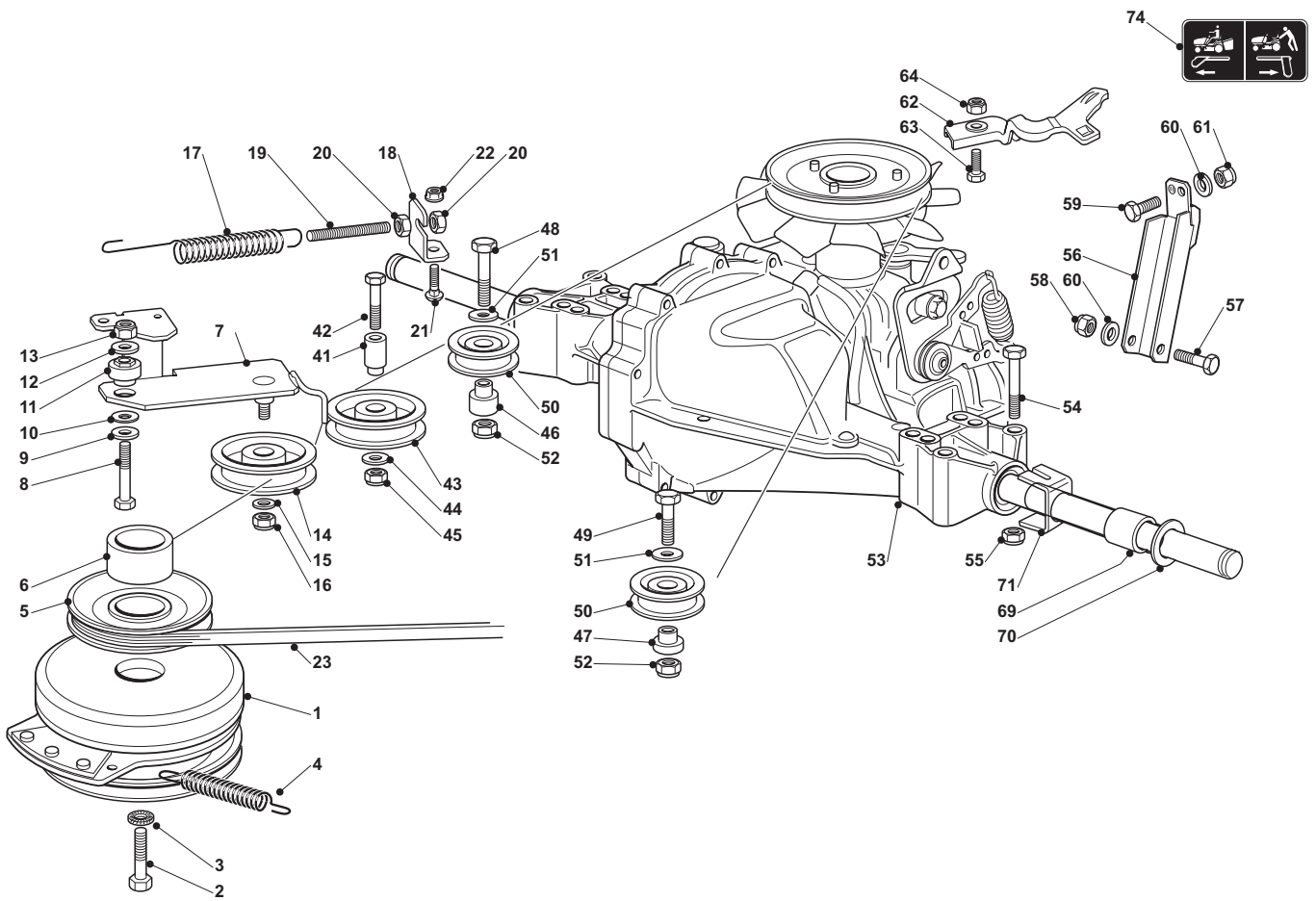


**Engine Kohler 16 hp**

POS	CODE	Q.TY	DESCRIZIONE	DESCRIPTION	DESCRIPTION	BESCHREIBUNG	NOTES
2	325869057/0	1	Connecting Tube	Tube Collegamento	Tube De Connexion	Verbindungsrohr	
3	118375051/1	2	Fair Led	Fascetta	Collier	Rohrschelle	
4	112735108/1	3	Screw	Vite	Vis	Schraube	
5	112154210/0	1	Self-Locking Nut	Dado Autobloccante	Écrou auto-bloquant	Selbstsichernde Mutter	
6	112691115/0	1	Screw	Vite	Vis	Schraube	
7	112540260/0	1	Grower	Grower	Grower	Federring	
8	127598060/0	1	Oil Discharge Extension	Oil Discharge Extension	Oil Discharge Extension	Oil Discharge Extension	
9	118737849/0	1	Plug	Tappo	Bouchon	Stopfen	
10	118401001/1	1	Oil Seal	Anello Di Tenuta	Anneau De Tenue	Dichtring	
11	118738227/0	1	Exhaust Pipe	Exhaust Pipe	Exhaust Pipe	Exhaust Pipe	
12	112735530/0	2	Screw	Vite	Vis	Schraube	
13	112583500/0	2	Grower	Grower	Grower	Federring	
14	125160035/0	3	Spacer	Distanziale	Entretoise	Distanzring	
31	182750010/0	1	Muffler	Silenziatore	Silencieux	Set Schalldämpfer	
32	112793102/0	2	Screw	Vite	Vis	Schraube	
33	112540260/0	2	Grower	Grower	Grower	Federring	
34	112360425/0	2	Nut	Dado	Ecrou	Mutter	
35	382598029/0	1	Muffler Protection	Protezione Silenziatore	Protection Silencieux	Auspuffschutz	
36	112792611/0	2	Screw	Vite	Vis	Schraube	
37	112583500/0	2	Grower	Grower	Grower	Federring	
41	112791011/0	2	Screw	Vite	Vis	Schraube	
42	112292102/0	2	Nut	Dado	Ecrou	Mutter	
43	118736110/0	1	Starter Relay	Relé Avviamento	Relais D'Allumage	Anlassrelais	
44	112360352/0	2	Nut	Dado	Ecrou	Mutter	
45	118564861/1	1	Protection	Protezione	Protection	Schutz	
46	125065017/0	1	Cable	Cable	Cable	Cable	
61	182000200/1	1	Throttle Cable	Cavo Acceleratore	Câble Accélérateur	Gashebel Kabel	
62	125943012/0	2	Screw	Vite	Vis	Schraube	
64	325592000/0	1	Knob	Manopola	Poignee	Knopf	
65	112726388/0	1	Screw	Vite	Vis	Schraube	
66	112290800/0	1	Hexagonal Nut	Dado	Ecrou	Mutter	

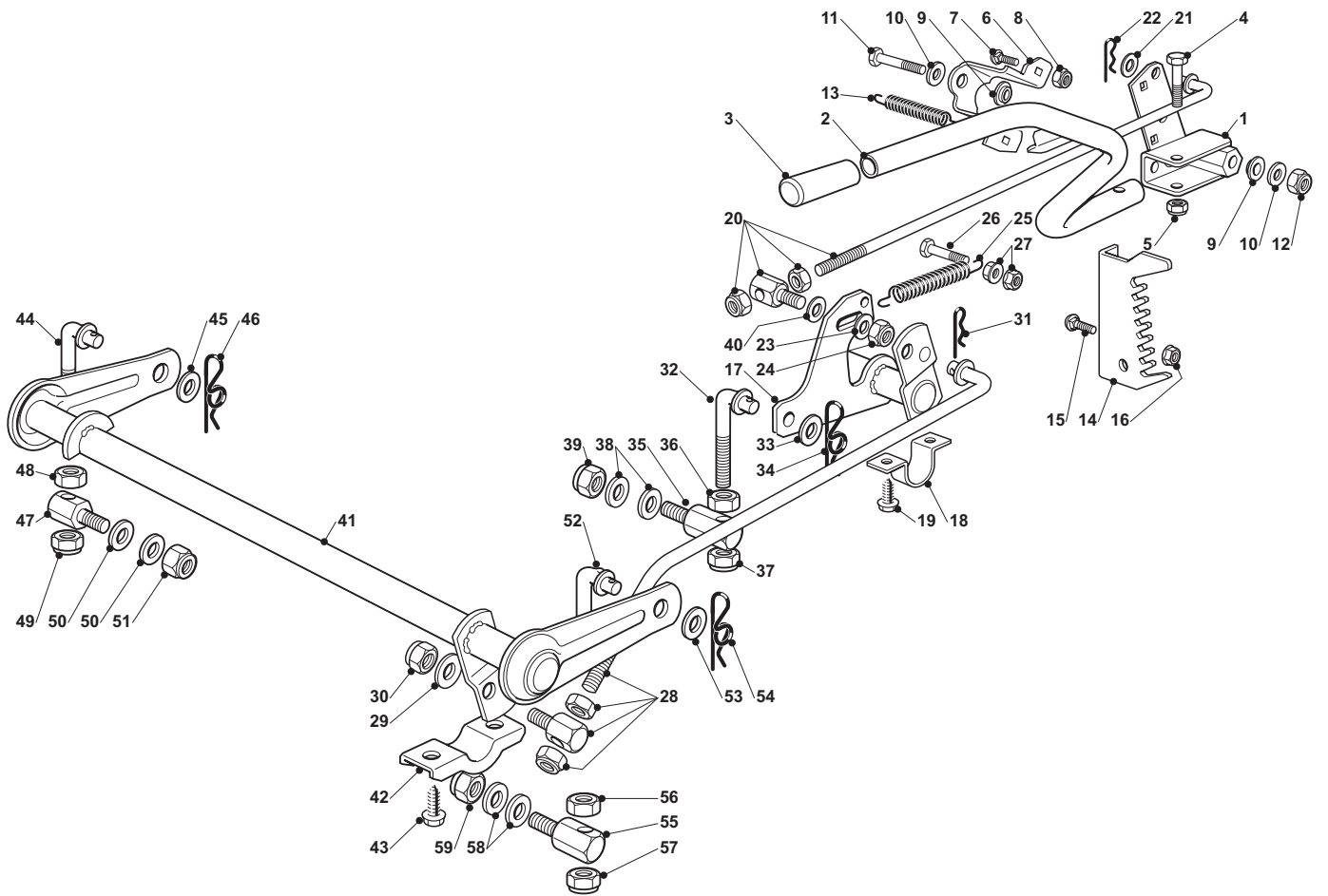


Engine GGP							
POS	CODE	Q.TY	DESCRIZIONE	DESCRIPTION	DESCRIPTION	BESCHREIBUNG	NOTES
2	325869057/0	1	Connecting Tube	Tube Collegamento	Tube De Connexion	Verbindungsrohr	
3	118375051/1	4	Fair Led	Fascetta	Collier	Rohrschelle	
4	118738231/1	1	Exhaust Tube	Tubo Scarico	Tube Echappement	Abgasungrohr	
5	112583500/0	2	Grower	Grower	Grower	Federring	
6	112737450/0	2	Screw	Vite	Vis	Schraube	
7	112735108/1	4	Screw	Vite	Vis	Schraube	
8	112735599/0	1	Screw	Vite	Vis	Schraube	
10	127598060/0	1	Oil Discharge Extension	Oil Discharge Extension	Oil Discharge Extension	Oil Discharge Extension	
11	118737849/0	1	Plug	Tappo	Bouchon	Stopfen	
12	118401001/1	1	Oil Seal	Anello Di Tenuta	Anneau De Tenue	Dichtring	
14	112793102/0	2	Screw	Vite	Vis	Schraube	
15	112540260/0	2	Grower	Grower	Grower	Federring	
16	182750010/0	1	Muffler	Silenziatore	Silencieux	Set Schalldämpfer	
17	112360425/0	2	Nut	Dado	Ecrou	Mutter	
18	382598039/0	1	Guard	Protezione	Protection	Schutz	
19	112792611/0	2	Screw	Vite	Vis	Schraube	
20	112583500/0	2	Grower	Grower	Grower	Federring	
41	112791213/1	2	Screw	Vite	Vis	Schraube	
42	112292102/0	2	Nut	Dado	Ecrou	Mutter	
43	118736110/0	1	Starter Relay	Relé Avviamento	Relais D'Allumage	Anlassrelais	
44	112360352/0	2	Nut	Dado	Ecrou	Mutter	
45	118564861/1	1	Protection	Protezione	Protection	Schutz	
46	125065017/0	1	Cable	Cable	Cable	Cable	
61	182000212/0	1	Accelerator	Acceleratore	Accelérateur	Gas Zug	
62	125943012/0	2	Screw	Vite	Vis	Schraube	
64	325592000/0	1	Knob	Manopola	Poignee	Knopf	
65	112726388/0	1	Screw	Vite	Vis	Schraube	
66	112290800/0	1	Hexagonal Nut	Dado	Ecrou	Mutter	



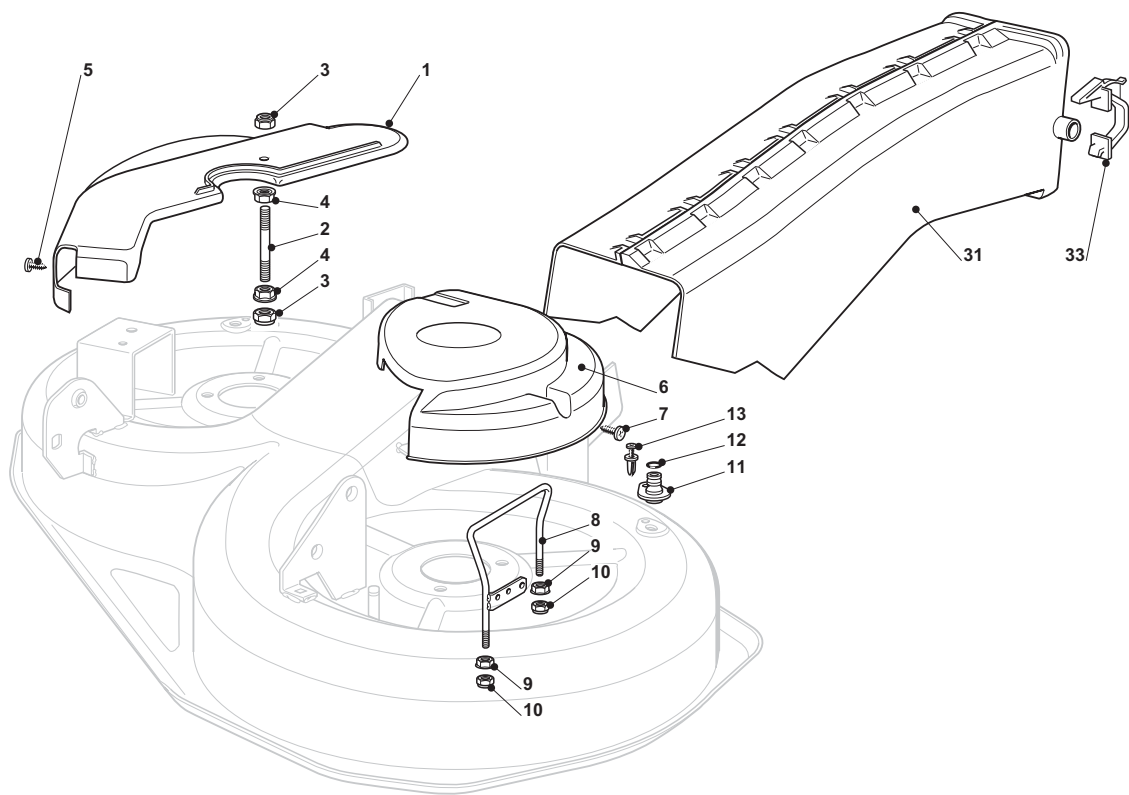
**Hydro-Gear Transmission**

POS	CODE	Q.TY	DESCRIZIONE	DESCRIPTION	DESCRIPTION	BESCHREIBUNG	NOTES
1	118399063/0	1	Clutch Assy	Ass. Frizione	Friction	Set Kupplung	
2	112737320/0	1	Screw	Vite	Vis	Schraube	
3	112543000/0	1	Washer	Rosetta	Rondelle	Scheibe	
4	122430216/0	1	Tension Spring	Molla Tensionamento	Rondelle De Tension	Spannscheibe	
5	125601577/0	1	Pulley	Puleggia	Poulie	Riemenscheibe	
6	125160021/0	1	Spacer	Distanziale	Entretoise	Distanzring	
7	382318217/0	1	Lever	Leva	Levier	Hebel	
8	112691115/0	1	Screw	Vite	Vis	Schraube	
9	112523060/0	1	Washer	Rosetta	Rondelle	Scheibe	
10	327670055/0	1	Antifriction Washer	Rondella Antifrizione	Rondelle Antifriction	Anti Friktionswäscher	
11	125510087/0	1	Pin	Perno	Pivot	Bolzen	
12	112523060/0	1	Washer	Rosetta	Rondelle	Scheibe	
13	112155000/0	1	Nut	Dado	Ecrou	Mutter	
14	125601554/0	1	Pulley	Puleggia	Poulie	Riemenscheibe	
15	112523060/0	1	Washer	Rosetta	Rondelle	Scheibe	
16	112155000/0	1	Nut	Dado	Ecrou	Mutter	
17	125430260/0	1	Spring	Molla	Ressort	Feder	
18	325755049/0	1	Bracket	Staffa	Etrier	Bride	
19	125840005/0	1	Tie Rod	Tie Rod	Tie Rod	Tie Rod	
20	112293200/0	2	Hexagonal Nut	Dado	Ecrou	Mutter	
21	112818690/0	1	Screw	Vite	Vis	Schraube	
22	112293201/0	1	Nut	Dado	Ecrou	Mutter	
23	135062013/0	1	Belt	Cinghia	Courroie	Riemen	
41	125510100/0	1	Pin	Perno	Pivot	Bolzen	
42	112691800/0	1	Screw	Vite	Vis	Schraube	
43	125601555/0	1	Pulley	Puleggia	Poulie	Riemenscheibe	
44	112523060/0	1	Washer	Rosetta	Rondelle	Scheibe	
45	112155000/0	1	Nut	Dado	Ecrou	Mutter	
46	125160024/2	1	Right Spacer	Distanziale Destro	Entretoise Droit	Rechter Entfernungsstück	
47	125160030/2	1	Left Spacer	Distanziale Sinistro	Entretoise Gauche	Linker Entfernungsstück	
48	112691400/0	1	Screw	Vite	Vis	Schraube	
49	112691115/0	1	Screw	Vite	Vis	Schraube	
50	125601588/0	2	Pulley	Puleggia	Poulie	Riemenscheibe	
51	122671653/0	2	Washer	Rosetta	Rondelle	Scheibe	
52	112155000/0	2	Nut	Dado	Ecrou	Mutter	
53	118400919/2	1	Rear Axle	Asse Posteriore	Axe Arriere	Hinterachse	
54	112691600/0	4	Screw	Vite	Vis	Schraube	
55	112154210/0	4	Self-Locking Nut	Dado Autobloccante	Écrou auto-bloquant	Selbstsichernde Mutter	
56	382785199/0	1	Support	Supporto	Support	Halter	
57	112691700/0	1	Screw	Vite	Vis	Schraube	
58	112155000/0	1	Nut	Dado	Ecrou	Mutter	
59	112793701/0	1	Screw	Vite	Vis	Schraube	
60	112523060/0	2	Washer	Rosetta	Rondelle	Scheibe	
61	112155000/0	1	Nut	Dado	Ecrou	Mutter	
62	325318253/0	1	Lever	Leva	Levier	Hebel	
63	112791213/1	1	Screw	Vite	Vis	Schraube	
64	112154210/0	1	Self-Locking Nut	Dado Autobloccante	Écrou auto-bloquant	Selbstsichernde Mutter	
69	125160058/0	2	Spacer	Distanziale	Entretoise	Distanzring	
70	125670005/1	2	Washer	Rosetta	Rondelle	Scheibe	
71	325670025/0	2	Washer	Rosetta	Rondelle	Scheibe	
74	114361451/0	1	Label	Etichetta	Etiquette	Etikett	



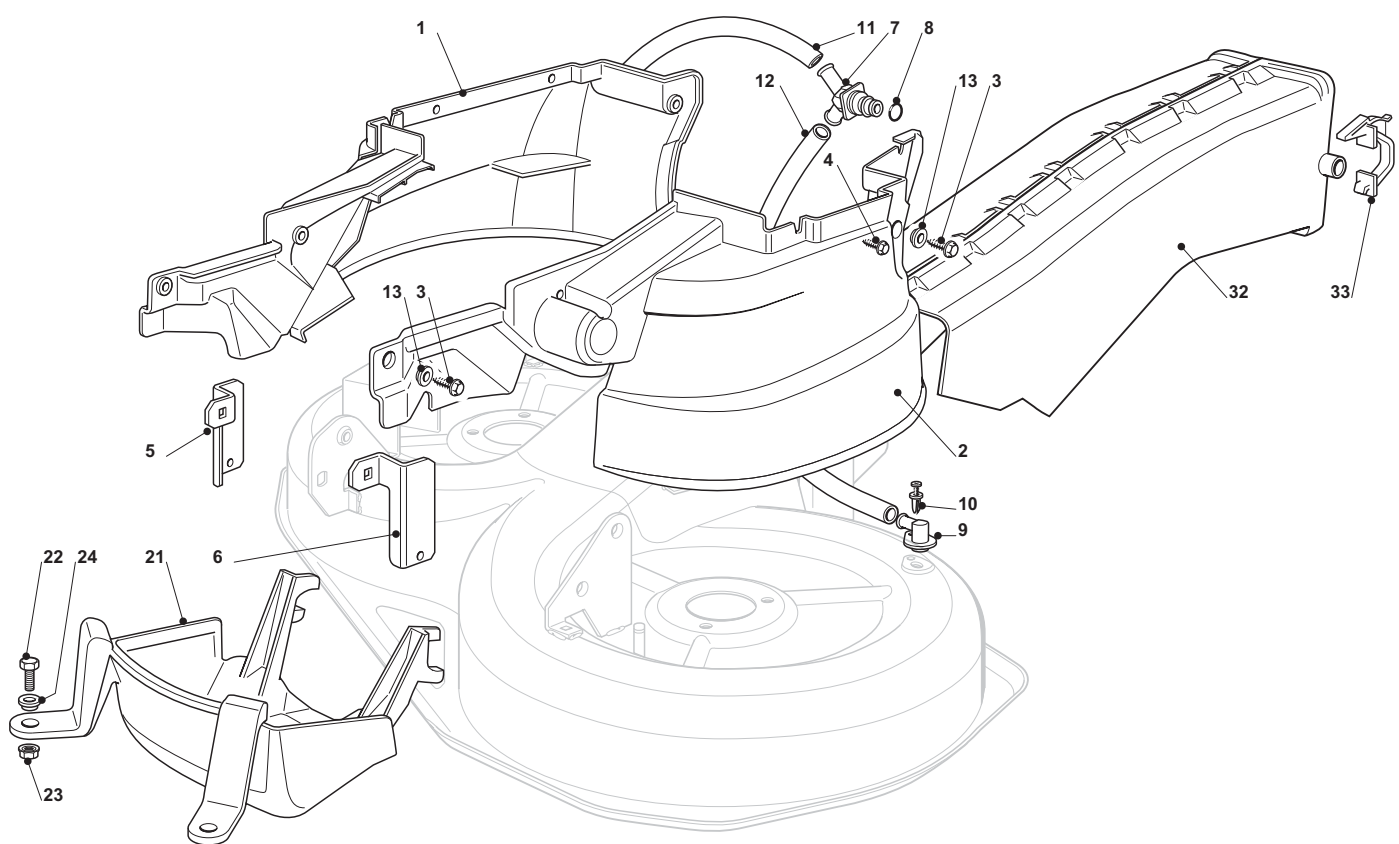
**Cutting Plate Lifting**

POS	CODE	Q.TY	DESCRIZIONE	DESCRIPTION	DESCRIPTION	BESCHREIBUNG	NOTES
1	382774249/0	1	Clamp	Staffa	Etrier	Bride	
2	382318219/1	1	Lever	Leva	Levier	Hebel	
3	325394535/0	1	Knob	Manopola	Poignee	Knopf	
4	112674700/0	1	Screw	Vite	Vis	Schraube	
5	112154510/0	1	Nut	Dado	Ecrou	Mutter	
6	325650113/0	1	Plate	Piastra	Plaque	Platte	
7	112818690/0	2	Screw	Vite	Vis	Schraube	
8	112155000/0	2	Nut	Dado	Ecrou	Mutter	
9	122041980/0	2	Bush	Bussola	Douille	Büchse	
10	112523060/0	2	Washer	Rosetta	Rondelle	Scheibe	
11	112691600/0	1	Screw	Vite	Vis	Schraube	
12	112155000/0	1	Nut	Dado	Ecrou	Mutter	
13	125430259/0	1	Spring	Molla	Ressort	Feder	
14	325735511/0	1	Sector	Sector	Sector	Sector	
15	112818690/0	2	Screw	Vite	Vis	Schraube	
16	112293201/0	2	Nut	Dado	Ecrou	Mutter	
17	382000387/0	1	Axle	Asse Avanzamento	Axe	Achse	
18	325547041/1	2	Plate	Piastra	Plaque	Platte	
19	112731580/0	4	Screw	Vite	Vis	Schraube	
20	382000618/0	1	Rod	Asta	Tige	Stange	
21	325670011/0	1	Antifriction Washer	Rondella Antifrizione	Rondelle Antifriction	Anti Frikionswäscher	
22	124487998/0	1	Cotter Pin	Coppiglia	Goupille	Split	
23	112523040/0	1	Washer	Rosetta	Rondelle	Scheibe	
24	112154210/0	1	Self-Locking Nut	Dado Autobloccante	Écrou auto-bloquant	Selbstsichernde Mutter	
25	122446402/1	1	Spring	Molla	Ressort	Feder	
26	112792410/0	1	Screw	Vite	Vis	Schraube	
27	112292102/0	2	Nut	Dado	Ecrou	Mutter	
28	382000537/0	1	Connecting Rod	Asta Collegamento	Tige De Connexion	Verbindungsstab	
29	325670008/1	2	Washer	Rosetta	Rondelle	Scheibe	
30	112156602/0	1	Nut	Dado	Ecrou	Mutter	
31	124487998/0	1	Cotter Pin	Coppiglia	Goupille	Split	
32	125840025/0	1	Tie Rod	Tirante	Tirant	Spannstange	
33	325670008/1	1	Washer	Rosetta	Rondelle	Scheibe	
34	124487998/0	1	Cotter Pin	Coppiglia	Goupille	Split	
35	125510090/0	1	Pin	Perno	Pivot	Bolzen	
36	112295200/0	1	Hexagonal Nut	Dado	Ecrou	Mutter	
37	112156602/0	1	Nut	Dado	Ecrou	Mutter	
38	325670008/1	2	Washer	Rosetta	Rondelle	Scheibe	
39	112156602/0	1	Nut	Dado	Ecrou	Mutter	
40	112521360/0	2	Washer	Rosetta	Rondelle	Scheibe	
41	382000385/0	1	Axle	Asse Avanzamento	Axe	Achse	
42	327546015/1	2	Plate	Piastra	Plaque	Platte	
43	112731350/0	4	Screw	Vite	Vis	Schraube	
44	125840024/0	1	Tie Rod	Tirante	Tirant	Spannstange	
45	325670008/1	1	Washer	Rosetta	Rondelle	Scheibe	
46	124487998/0	1	Cotter Pin	Coppiglia	Goupille	Split	
47	125510098/0	1	Pin	Perno	Pivot	Bolzen	
48	112295200/0	1	Hexagonal Nut	Dado	Ecrou	Mutter	
49	112156602/0	1	Nut	Dado	Ecrou	Mutter	
50	325670008/1	2	Washer	Rosetta	Rondelle	Scheibe	
51	112156602/0	1	Nut	Dado	Ecrou	Mutter	
52	125840025/0	1	Tie Rod	Tirante	Tirant	Spannstange	
53	325670008/1	1	Washer	Rosetta	Rondelle	Scheibe	
54	124487998/0	1	Cotter Pin	Coppiglia	Goupille	Split	
55	125510090/0	1	Pin	Perno	Pivot	Bolzen	
56	112295200/0	1	Hexagonal Nut	Dado	Ecrou	Mutter	
57	112156602/0	1	Nut	Dado	Ecrou	Mutter	
58	325670008/1	2	Washer	Rosetta	Rondelle	Scheibe	
59	112156602/0	1	Nut	Dado	Ecrou	Mutter	

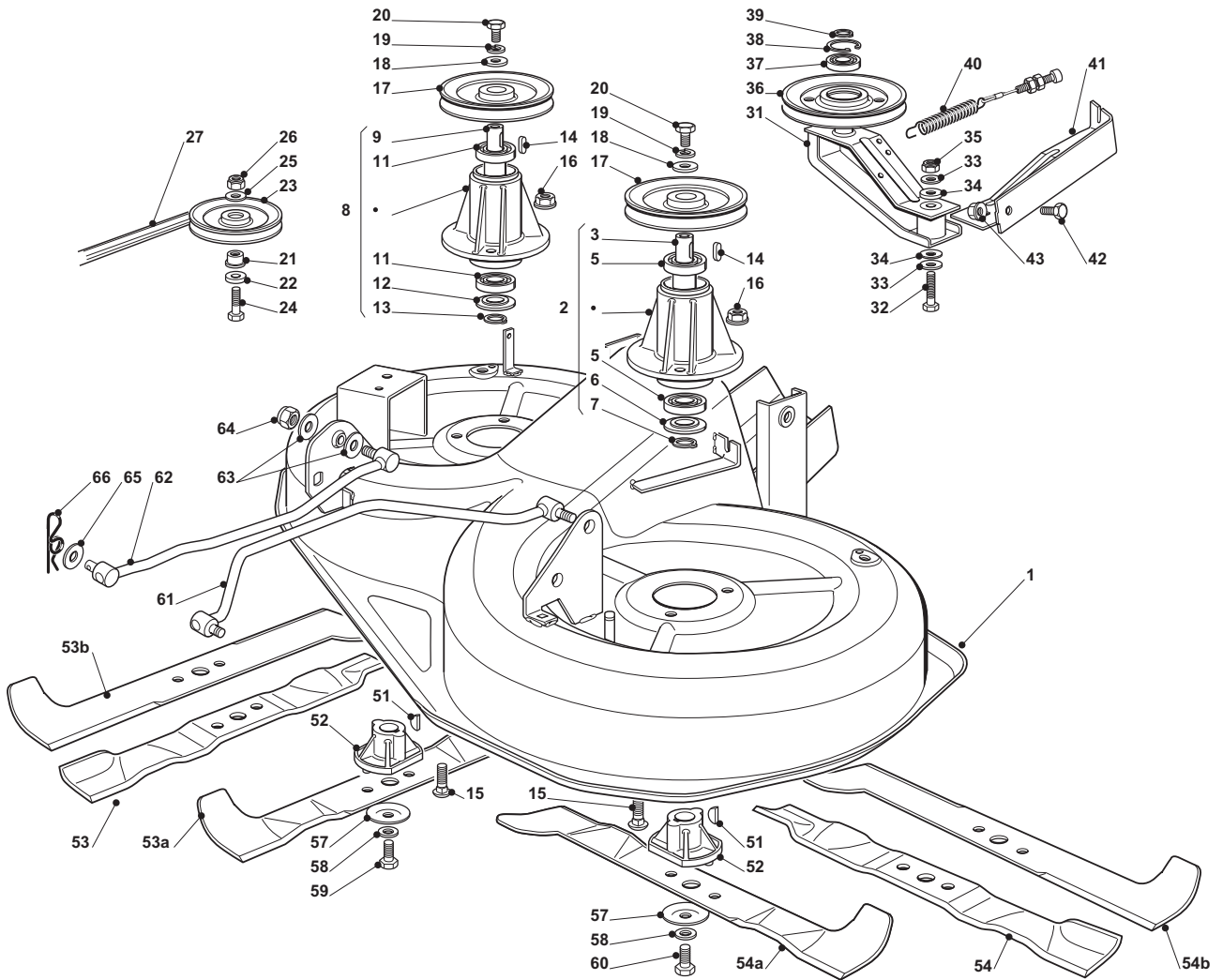




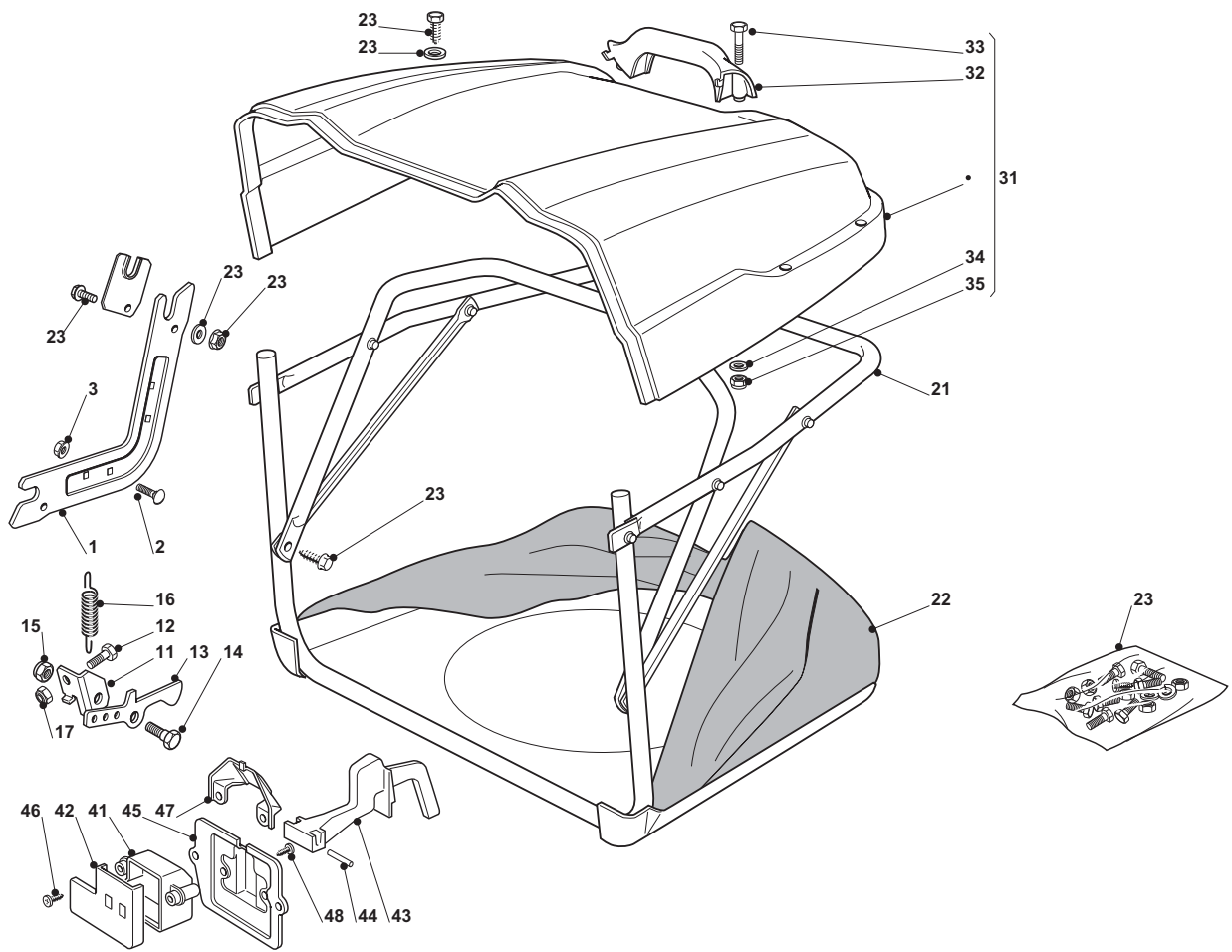
Guards							
POS	CODE	Q.TY	DESCRIZIONE	DESCRIPTION	DESCRIPTION	BESCHREIBUNG	NOTES
1	125060102/0	1	Right Belt Protection Carter	Carter Protezione Cinghia Dx	Carter Protection Courroie D	Schutz Rechte, Riemen	Grey
1	325060111/0	1	Right Belt Protection Carter	Carter Protezione Cinghia Dx	Carter Protection Courroie D	Schutz Rechte, Riemen	Black
2	125580007/0	1	Belt Guide	Belt Guide	Belt Guide	Belt Guide	
3	112155000/0	2	Nut	Dado	Ecrou	Mutter	
4	112293201/0	2	Nut	Dado	Ecrou	Mutter	
5	112735110/0	2	Screw	Vite	Vis	Schraube	
6	125060103/0	1	Left Belt Protection Carter	Carter Protezione Cinghia Sx	Carter Protection Courroie Gauche	Schutz Linke, Riemen	Black
6	325060112/0	1	Left Belt Protection Carter	Carter Protezione Cinghia Sx	Carter Protection Courroie G	Schutz Linke, Riemen	Grey
7	112735110/0	2	Screw	Vite	Vis	Schraube	
8	382270301/0	1	Belt Guide	Guidacinghia	Guide De Courroire	Riemenführung	
9	112293201/0	2	Nut	Dado	Ecrou	Mutter	
10	112155000/0	2	Nut	Dado	Ecrou	Mutter	
11	125033060/0	2	Washing Cutting Deck Conne	Attacco Lavaggio Piatto	Attaque Lavage Plateau De C	Wasseranschluß Mähwerk	
12	119035000/0	2	O.R. Ring	O.R. Ring	O.R. Ring	O.R. Ring	
13	112500030/0	2	Rivet	Rivetto	Rivet	Niet	
31	382108008/1	1	Conveyor	Convogliatore	Convoyeur	Konveyor	
33	325774373/0	2	Clamp	Staffa	Etrier	Bride	



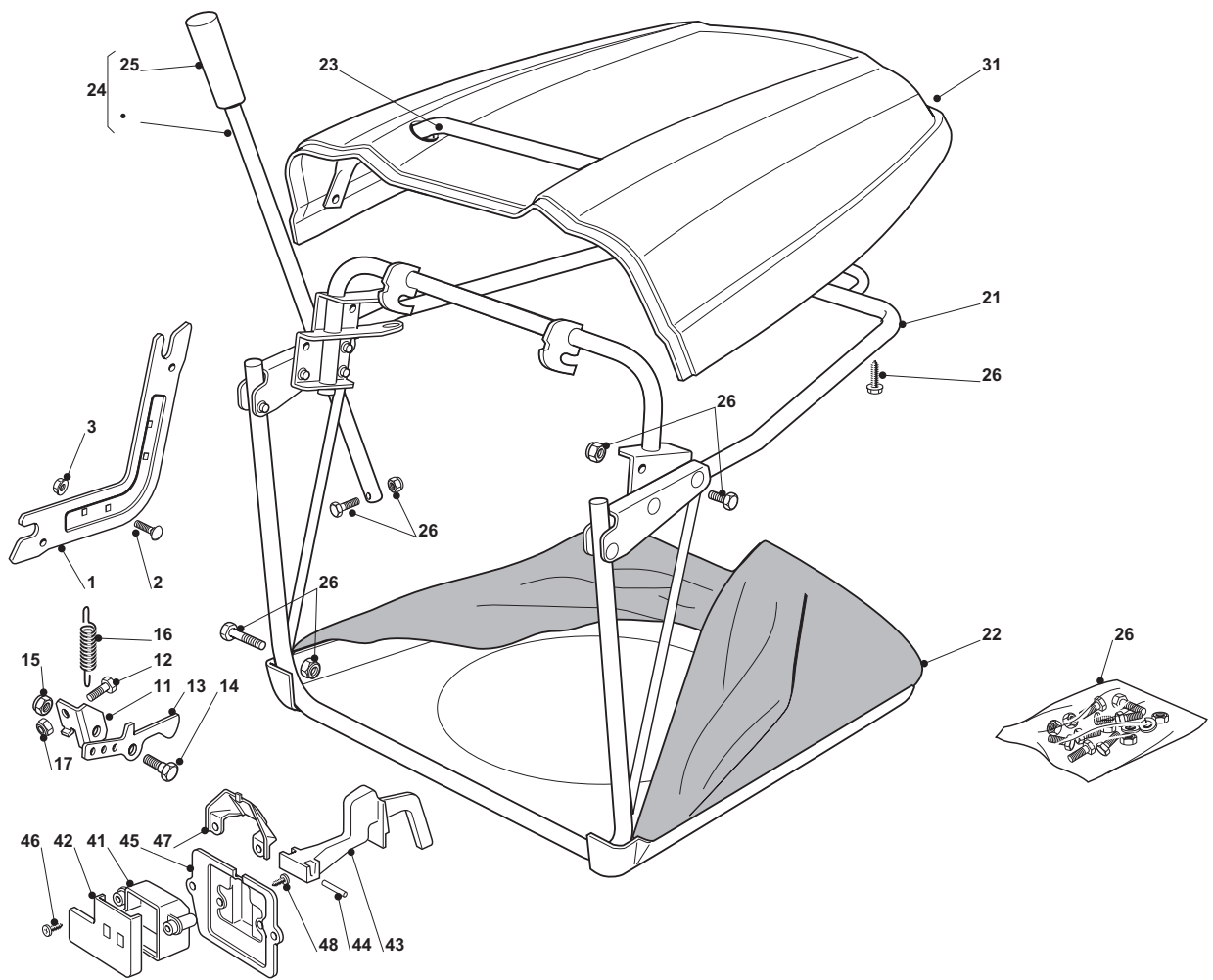
Guards Cemagref							
POS	CODE	Q.TY	DESCRIZIONE	DESCRIPTION	DESCRIPTION	BESCHREIBUNG	NOTES
1	325060121/0	1	Case	Carter	Carter	Gehäuse	
2	325060122/0	1	Case	Carter	Carter	Gehäuse	
3	112735122/0	6	Screw	Vite	Vis	Schraube	
4	112728535/0	4	Screw	Vite	Vis	Schraube	
5	325774381/0	1	Bracket	Staffa	Etrier	Bride	
6	325774383/0	1	Bracket	Staffa	Etrier	Bride	
7	325033066/0	1	Washing Cutting Deck Conne	Attacco Lavaggio Piatto	Attaque Lavage Plateau De C	Wasseranschluß Mähwerk	
8	119035000/0	1	O.R. Ring	O.R. Ring	O.R. Ring	O.R. Ring	
9	325033065/0	2	Washing Cutting Deck Conne	Attacco Lavaggio Piatto	Attaque Lavage Plateau De C	Wasseranschluß Mähwerk	
10	112500030/0	2	Rivet	Rivetto	Rivet	Niet	
11	325869069/0	1	Connecting Tube	Tube Collegamento	Tube De Connexion	Verbindungsrohr	
12	325869068/0	1	Connecting Tube	Tube Collegamento	Tube De Connexion	Verbindungsrohr	
13	325160039/0	6	Spacer	Distanziale	Entretoise	Distanzring	
21	325060127/0	1	Case	Carter	Carter	Gehäuse	
22	112791400/0	2	Screw	Vite	Vis	Schraube	
23	112154510/0	2	Nut	Dado	Ecrou	Mutter	
24	325160039/0	2	Spacer	Distanziale	Entretoise	Distanzring	
32	382108008/1	1	Conveyor	Convogliatore	Convoyeur	Konveyor	
33	325774373/0	2	Clamp	Staffa	Etrier	Bride	



Cutting Plate							
POS	CODE	Q.TY	DESCRIZIONE	DESCRIPTION	DESCRIPTION	BESCHREIBUNG	NOTES
1	382564075/0	1	Cutting Plate Black	Piatto Di Taglio Nero	Plateau De Coupe Noir	Schneidwerkzeug Schwarz	
1	382564091/0	1	Cutting Plate Red	Piatto Di Taglio Rosso	Plateau De Coupe Rouge	Schneidwerkzeug Rot	
1	382564112/0	1	Cutting Plate Yellow	Piatto Di Taglio Giallo	Plateau De Coupe Jaune	Schneidwerkzeug Gelb	
2	382207202/0	1	Left Flange Ass.Y	Ass. Flangia Sinistra	Ens. Bride Gauche	Linke Nabe, Komplet	
3	125020802/0	1	Shaft	Albero	Arbre	Welle	
5	119216047/0	2	Bearing	Cuscinetto	Roul. À Billes	Kugellager	
6	325160501/0	1	Dust Cover Disc	Disco Parapolvere	Protege-Poussiere	Staubschuttscheibe	
7	112609260/0	1	Seeger	Seeger	Seeger	Seeger	
8	382207203/0	1	Right Flange Assy	Ass. Flangia Destra	Ens. Bride Droit	Rechte Flansch, Komplet	
9	125020803/0	1	Secondary Blade Shaft	Albero Lama Secondario	Arbre Lama Secondaire	Zweite Messerwelle	
11	119216047/0	2	Bearing	Cuscinetto	Roul. À Billes	Kugellager	
12	325160501/0	1	Dust Cover Disc	Disco Parapolvere	Protege-Poussiere	Staubschuttscheibe	
13	112609260/0	1	Seeger	Seeger	Seeger	Seeger	
14	112139480/0	2	Feather	Linguetta	Clavette	Keil	
15	112818700/0	6	Screw	Vite	Vis	Schraube	
16	112154210/0	6	Self-Locking Nut	Dado Autobloccante	Écrou auto-bloquant	Selbstsichernde Mutter	
17	125601563/0	2	Pulley	Puleggia	Poulie	Riemenscheibe	
18	125670007/0	2	Washer	Rosetta	Rondelle	Scheibe	
19	112583500/0	2	Grower	Grower	Grower	Federring	
20	112793102/0	2	Screw	Vite	Vis	Schraube	
21	125160007/0	1	Spacer	Distanziale	Entretoise	Distanzring	
22	125670007/0	1	Washer	Rosetta	Rondelle	Scheibe	
23	125601555/0	1	Pulley	Puleggia	Poulie	Riemenscheibe	
24	112691115/0	1	Screw	Vite	Vis	Schraube	
25	112523060/0	1	Washer	Rosetta	Rondelle	Scheibe	
26	112155000/0	1	Nut	Dado	Ecrou	Mutter	
27	135065701/0	1	Belt	Cinghia	Courroie	Riemen	
31	382318141/2	1	Lever	Leva	Levier	Hebel	
32	112691700/0	1	Screw	Vite	Vis	Schraube	
33	112523070/0	2	Washer	Rosetta	Rondelle	Scheibe	
34	322672152/0	2	Antifriction Washer	Rondella Antifrizione	Rondelle Antifriction	Anti Friktionswäscher	
35	112155000/0	1	Nut	Dado	Ecrou	Mutter	
36	125601564/0	1	Pulley	Puleggia	Poulie	Riemenscheibe	
37	119216048/0	1	Bearing	Cuscinetto	Roul. À Billes	Kugellager	
38	112610800/0	1	Snap Ring	Anello Seeger	Circlip	Circlip	
39	112609200/0	1	Seeger	Seeger	Seeger	Seeger	
40	382004618/0	1	Wire	Filo	Fil	Kabel	
41	382774215/3	1	Clamp	Staffa	Etrier	Bride	
42	112792611/0	1	Screw	Vite	Vis	Schraube	
43	112293201/0	1	Nut	Dado	Ecrou	Mutter	
51	112139100/0	2	Key	Chiavetta	Clavette	Keil	
52	125463200/0	2	Blade Hub	Blade Hub	Blade Hub	Blade Hub	
53	182004352/0	1	Right Mulching Blade	Coltello Destro Mulching	Lame Droit Mulching	Rechter Messer Mulching	
54	181004346/3	1	Blade	Coltello	Lame	Messer	
57	122160400/0	2	Elastic Washer	Disco Elastico	Disque Elastique	Federscheibe	
58	112523080/0	2	Washer	Rosetta	Rondelle	Scheibe	
59	112735695/1	1	Screw	Vite	Vis	Schraube	
60	112735694/0	1	Screw	Vite	Vis	Schraube	
61	382000535/0	1	Equalizer Rod	Equalizer Rod	Equalizer Rod	Equalizer Rod	
62	382000533/0	1	Equalizer Rod	Equalizer Rod	Equalizer Rod	Equalizer Rod	
63	325670008/1	4	Washer	Rosetta	Rondelle	Scheibe	
64	112156602/0	2	Nut	Dado	Ecrou	Mutter	
65	325670008/1	2	Washer	Rosetta	Rondelle	Scheibe	
66	124487998/0	2	Cotter Pin	Coppiglia	Goupille	Split	
53a	182004354/0	1	Right Blade, Winged	Coltello Destro, Alettato	Lame Droit, Aillettee	Rechter Messer, Flügel	
53b	182004345/1	1	Right Blade, Winged	Coltello Destro, Alettato	Lame Droit, Aillettee	Rechter Messer, Flügel	
54a	182004353/0	1	Left Blade Mulching, Winged	Coltello Sinistro Mulching, Alettato	Lame Gauche Mulching, Aillettee	Linker Messer Mulching, Flügel	
54b	182004344/1	1	Left Blade, Winged	Coltello Sinistro, Alettato	Lame Gauche, Aillettee	Linker Messer, Flügel	

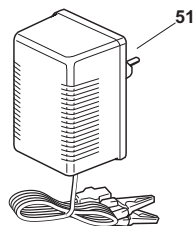
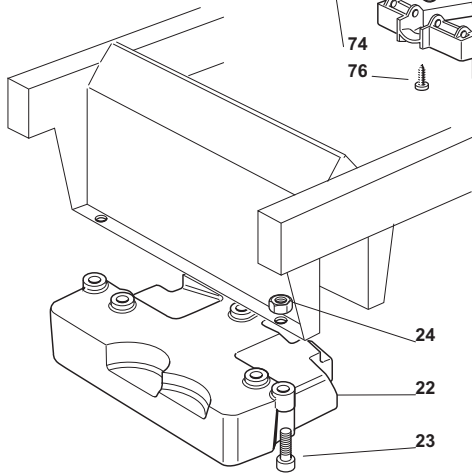
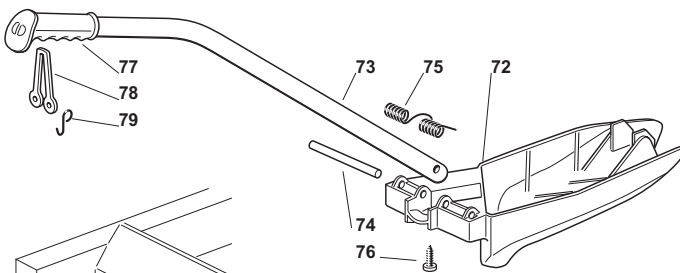
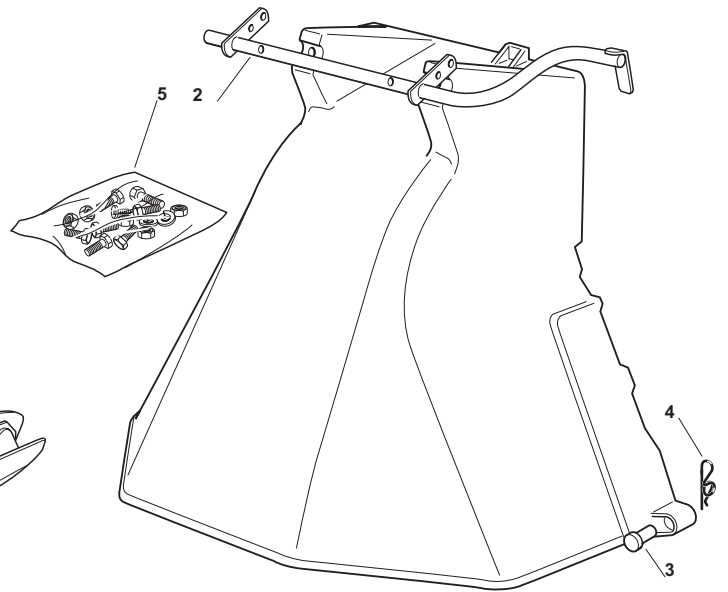
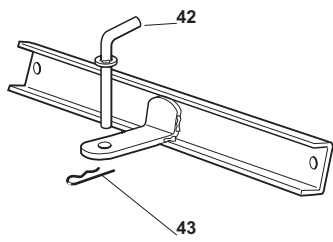


Grasscatcher LE							
POS	CODE	Q.TY	DESCRIZIONE	DESCRIPTION	DESCRIPTION	BESCHREIBUNG	NOTES
1	325785275/0	2	Support	Supporto	Support	Halter	
2	112818690/0	4	Screw	Vite	Vis	Schraube	
3	112293201/0	4	Nut	Dado	Ecrou	Mutter	
11	325755031/1	1	Bracket	Staffa	Etrier	Bride	
12	112789000/0	1	Screw	Vite	Vis	Schraube	
13	325774315/1	1	Bracket	Staffa	Etrier	Bride	
14	125510080/1	1	Pin	Perno	Pivot	Bolzen	
15	112292102/0	1	Nut	Dado	Ecrou	Mutter	
16	122450432/0	1	Spring	Molla	Ressort	Feder	
17	112154330/0	1	Low Self-Locking Nut	Dado Autobloccante	Écrou auto-bloquant	Selbstsichernde Mutter	
21	382800111/0	1	Front Frame	Telaio Bocca Sacco	Chassis Avant	Vorderrahmen	
22	182105973/0	1	Grasscatcher	Confezione Sacco	Bac	Sack	
23	382394003/0	1	Front Handle	Impugnatura Anteriore	Poignée Avant	Handgriff Vorne	
24	382869023/0	1	Rod	Asta	Tige	Stange	
25	125394508/0	1	Knob	Manopola	Poignee	Knopf	
26	382180048/0	1	Screw	Vite	Vis	Schraube	
31	325110319/0	1	Yellow Grass-Catcher Cover	Parte Sup.Sacco Giallo	Sac, Partie Superieure Jaune	Korb Oberteil Gelb	
31	325110320/0	1	Red Grass-Catcher Cover	Copertura Sacco Rosso	Couvre-Bac, Rouge	Sackkappe, Rot	
31	325110342/0	1	Grey Grass-Catcher Cover	Copertura Sacco Grigio	Couvre-Bac Gris	Sackkappe Grau	
31	325110413/0	1	Black Grass-Catcher Cover	Copertura Sacco Nero	Couvre-Bac Noir	Sackkappe Schwarz	
31	325110421/0	1	White Grass-Catcher Cover	Copertura Sacco Bianco	Couvre-Bac Blanc	Sackkappe Weiß	
41	125600041/0	1	Micro Protection	Protection Micro	Schutz	Grassc.Full Micro Protection Tcj-F	
42	125600042/0	1	Cover	Coperchio	Couvercle	Deckel	
43	125318124/0	1	Full Grassc. Microswtich Cover	Leva Comando Micro	Levier Microint.	Kontaktgeber Vollkorb	
44	112400030/0	1	Pin	Perno	Pivot	Bolzen	
45	325785272/0	1	Micro Protection	Micro Protection	Micro Protection	Micro Protection	
46	112728510/0	1	Screw	Vite	Vis	Schraube	
47	125600048/0	1	Micro Protection	Micro Protection	Micro Protection	Micro Protection	
48	112735110/0	2	Screw	Vite	Vis	Schraube	

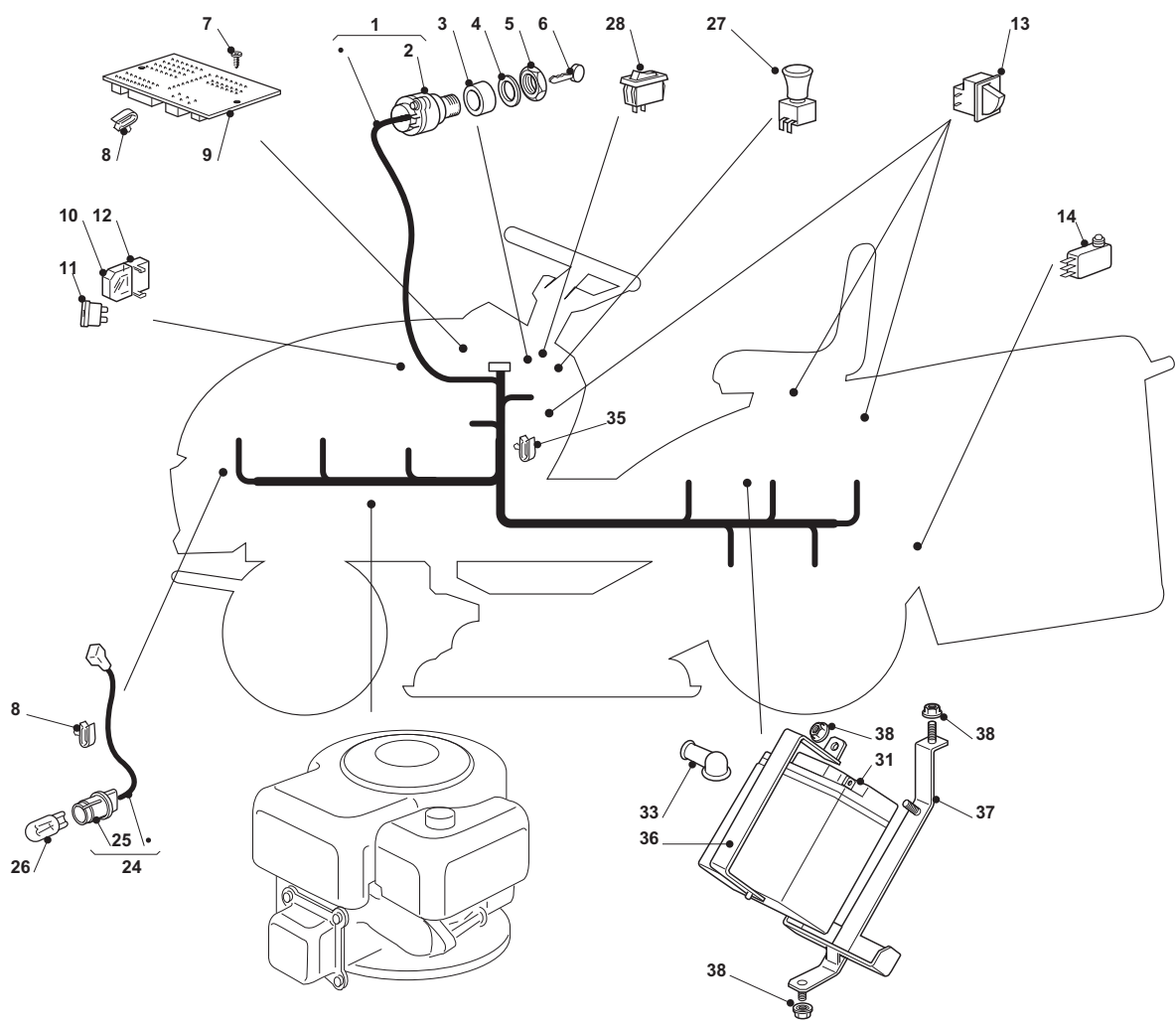




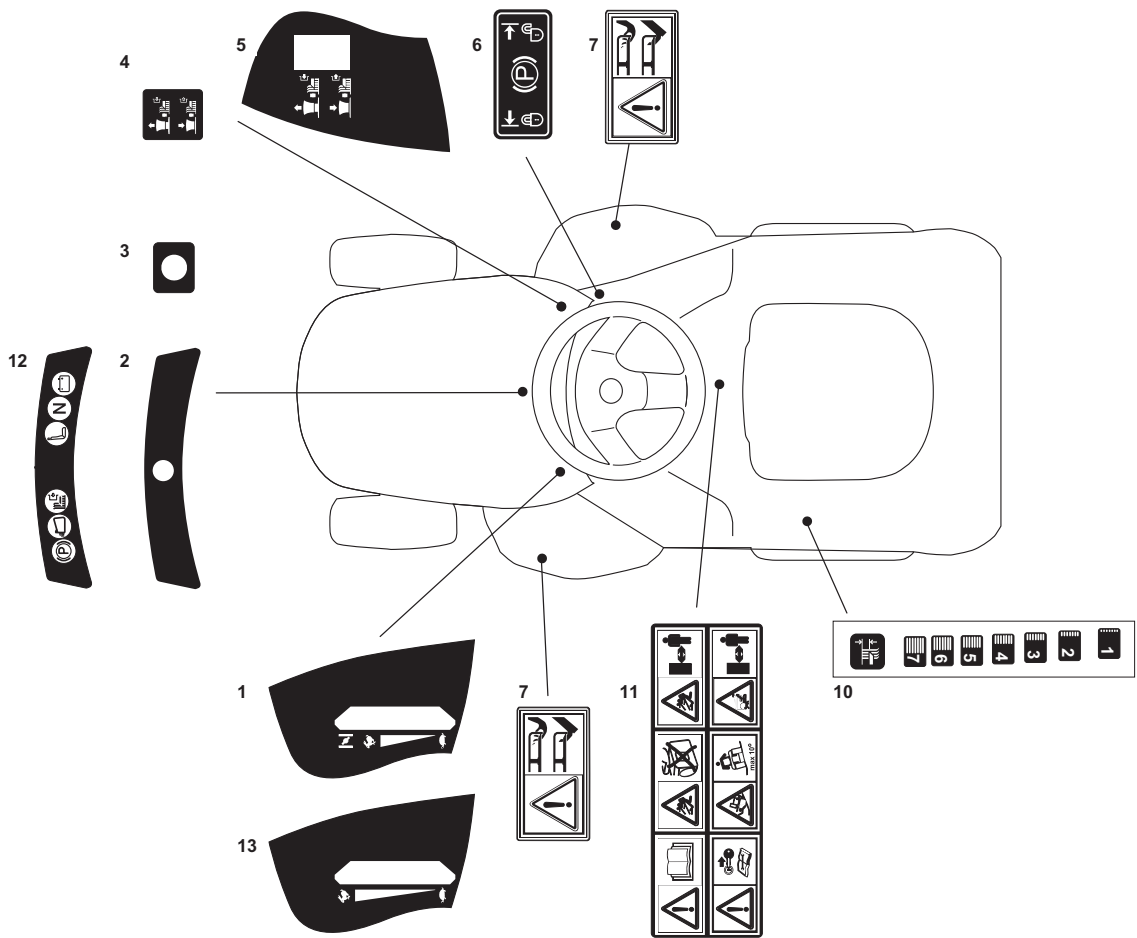
Grasscatcher HE							
POS	CODE	Q.TY	DESCRIZIONE	DESCRIPTION	DESCRIPTION	BESCHREIBUNG	NOTES
1	325785275/0	2	Support	Supporto	Support	Halter	
2	112293201/0	4	Nut	Dado	Ecrou	Mutter	
3	112818690/0	4	Screw	Vite	Vis	Schraube	
11	325755031/1	1	Bracket	Staffa	Etrier	Bride	
12	112789000/0	1	Screw	Vite	Vis	Schraube	
13	325774315/1	1	Bracket	Staffa	Etrier	Bride	
14	125510080/1	1	Pin	Perno	Pivot	Bolzen	
15	112292102/0	1	Nut	Dado	Ecrou	Mutter	
16	122450432/0	1	Spring	Molla	Ressort	Feder	
17	112154330/0	1	Low Self-Locking Nut	Dado Autobloccante	Écrou auto-bloquant	Selbstsichernde Mutter	
21	382800110/0	1	Front Frame	Front Frame	Front Frame	Front Frame	
22	182105974/0	1	Grasscatcher	Confezione Sacco	Bac	Sack	
23	382180120/0	1	Screw	Vite	Vis	Schraube	
31	382110273/0	1	Black Grass-Catcher Cover	Copertura Sacco Nero	Couvre-Bac Noir	Sackkappe Schwarz	
31	382110273/1	1	Black Grass-Catcher Cover	Copertura Sacco Nero	Couvre-Bac Noir	Sackkappe Schwarz	
32	127394000/0	1	Handle	Corrimano	Main-Courante	Handlauf	
33	112789020/0	2	Screw	Vite	Vis	Schraube	
34	112523020/0	2	Washer	Rosetta	Rondelle	Scheibe	
35	112154330/0	2	Low Self-Locking Nut	Dado Autobloccante	Écrou auto-bloquant	Selbstsichernde Mutter	
41	125600041/0	1	Micro Protection	Protezione Micro	Protection Micro	Schutz	
42	125600042/0	1	Micro Protection	Protezione Micro	Protection Micro	Schutz	
43	125318124/0	1	Full Grassc. Microswitch Cover	Leva Comando Micro	Levier Microint.	Kontaktgeber Vollkorb	
44	112400030/0	1	Pin	Perno	Pivot	Bolzen	
45	325785272/0	1	Micro Protection	Protezione Micro	Protection Micro	Schutz	
46	112728510/0	1	Screw	Vite	Vis	Schraube	
47	125600048/0	1	Micro Protection	Protezione Micro	Protection Micro	Schutz	
48	112735110/0	2	Screw	Vite	Vis	Schraube	



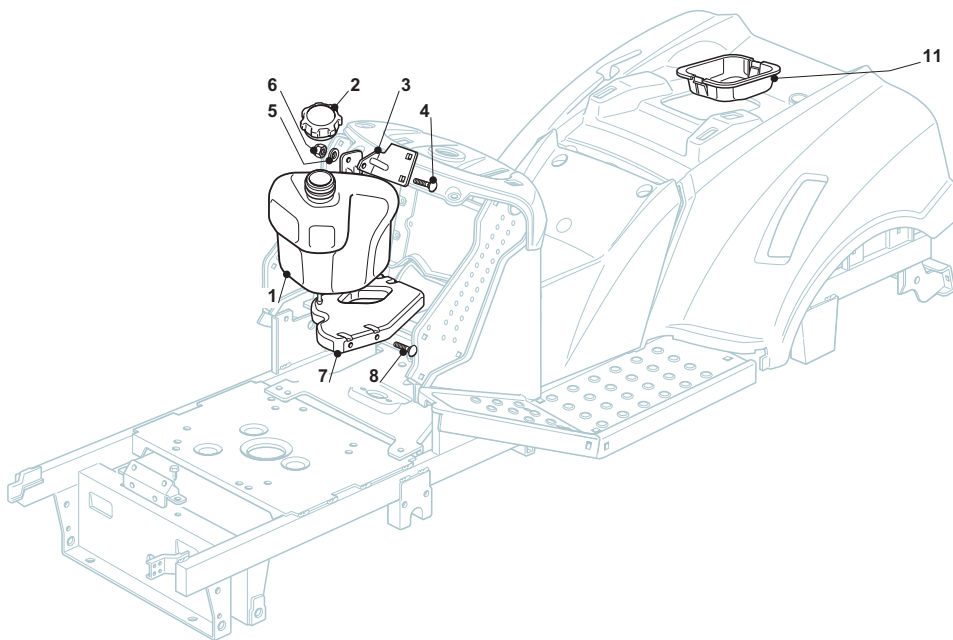
Electrical Parts							
POS	CODE	Q.TY	DESCRIZIONE	DESCRIPTION	DESCRIPTION	BESCHREIBUNG	NOTES
1	182040153/0	1	Cables Ass.Y	Cablaggio	Ens. Cablages	Kabelsatz	use on B&S-GGP Engine
1	182040154/0	1	Cables Ass.Y	Cablaggio	Ens. Cablages	Kabelsatz	use on Honda Engine
2	118450072/0	1	Starting Switch	Interruttore Avviamento	Interrupteur Demarrage	Schalter	
3	118550136/0	1	Spacer	Distanziale	Entretoise	Distanzring	
4	118550135/0	1	Washer	Rosetta	Rondelle	Scheibe	
5	118400862/0	1	Ring Nut	Ghiera	Bague	Ringbolzen	
6	118210022/0	1	Starting Key	Chiave Avviamento	Clef A Demarrage	Schlüssel Für Start	
7	112727810/0	3	Screw	Vite	Vis	Schraube	
8	133320506/0	2	Fairlead	Fermacavo	Fixation Cable	Kabelbefestigung	
9	125722430/1	1	Electronic Card (1 Led)	Scheda Elettronica (1 Led)	Carte Electronique (1 Led)	Elektronische Karte (1 Led)	
9	125722431/0	1	Electronic Card (6 Led)	Scheda Elettronica (6 Led)	Carte Electronique (6 Led)	Elektronische Karte (6 Led)	
10	133215000/0	2	Cover	Coperchio Membrana	Couvercle Membrane	Deckel Membran	
11	133340036/0	1	Fuse 25 A	Fusibile 25 A	Fusible 25 A	Sicherung 25 A	
11	133340040/0	1	Lamellar Fusible 10A	Lamellar Fusible 10A	Lamellar Fusible 10A	Lamellar Fusible 10A	
12	133500007/0	2	Fuse Carrier	Portafusibile	Tableau De Fusible	Sicherungshalter	
13	119410615/0	3	Micro Switch	Micro Interruttore	Microinterrupteur	Mikroschalter	
14	119410605/1	1	Micro Switch	Micro Interruttore	Microinterrupteur	Mikroschalter	
24	182040073/0	1	Cables Ass.Y	Cablaggio	Ens. Cablages	Kabelsatz	use only on model NJX-NJS-NJU-NJA-NJ
25	133500030/0	2	Lamp Holder	Portalampane	Douille De Lampe	Scheinwerferlampe	
26	118459100/0	2	Lamp For Lights	Lamp For Lights	Lamp For Lights	Lamp For Lights	
27	118450068/0	1	Clutch Switch Yellow	Interruttore Frizione Giallo	Interrupteur Embrajage Jaune	Kupplung Schalter Gelb	
28	118450060/1	1	Switch	Interruttore	Interrupteur	Schalter	
31	118120002/1	1	Battery	Batteria	Batterie	Batterie	
33	118564861/1	1	Protection	Protezione	Protection	Schutz	
35	133320506/0	9	Fairlead	Fermacavo	Fixation Cable	Kabelbefestigung	
36	327772099/1	1	Clamp	Staffa	Etrier	Bride	
37	382785191/0	1	Battery Support	Supporto Batteria	Support Batterie	Batterie Halter	
38	112155000/0	3	Nut	Dado	Ecrou	Mutter	



Optionals On Request							
POS	CODE	Q.TY	DESCRIZIONE	DESCRIPTION	DESCRIPTION	BESCHREIBUNG	NOTES
2	382869035/0	1	Support	Supporto	Support	Halter	
3	125510022/0	2	Pin	Perno	Pivot	Bolzen	
4	124487998/0	2	Cotter Pin	Coppiglia	Goupille	Split	
5	382180062/0	1	Screw	Vite	Vis	Schraube	
22	125519997/1	1	Front Weight Tc	Peso	Poids	Gewicht	
23	112760520/0	3	Screw	Vite	Vis	Schraube	
24	112155000/0	3	Nut	Dado	Ecrou	Mutter	
42	125510021/1	1	Hitch Pin	Perno	Pivot	Bolzen	
43	124487999/0	1	Spring Pin	Coppiglia	Goupille	Split	
51	182180050/0	1	Battery Charger 0,6A	Carica Batteria 0,6A	Chargeur De Batterie 0,6A	Batterieladegerät 0,6A	EU plug
51	182180052/0	1	Battery Charger 0,6A	Carica Batteria 0,6A	Chargeur De Batterie 0,6A	Batterieladegerät 0,6A	UK plug
72	325140093/0	1	Deflector	Deflettore	Deflecteur	Abweiser	
73	325394007/0	1	Handle	Corrimano	Main-Courante	Handlauf	
74	125510077/0	1	Pin	Perno	Pivot	Bolzen	
75	125430245/0	1	Spring	Molla	Ressort	Feder	
76	112735410/0	1	Screw	Vite	Vis	Schraube	
77	325280000/1	1	Handgrip	Impugnatura	Poignée	Handgriff	
78	125840011/1	1	Tie Rod	Tirante	Tirant	Spannstange	
79	125253004/0	2	Mulch.Kit Fixing Hook	Gancio Fissaggio Kit Mulching	Crochet Fixage Kit Mulching	MulchingHaken	



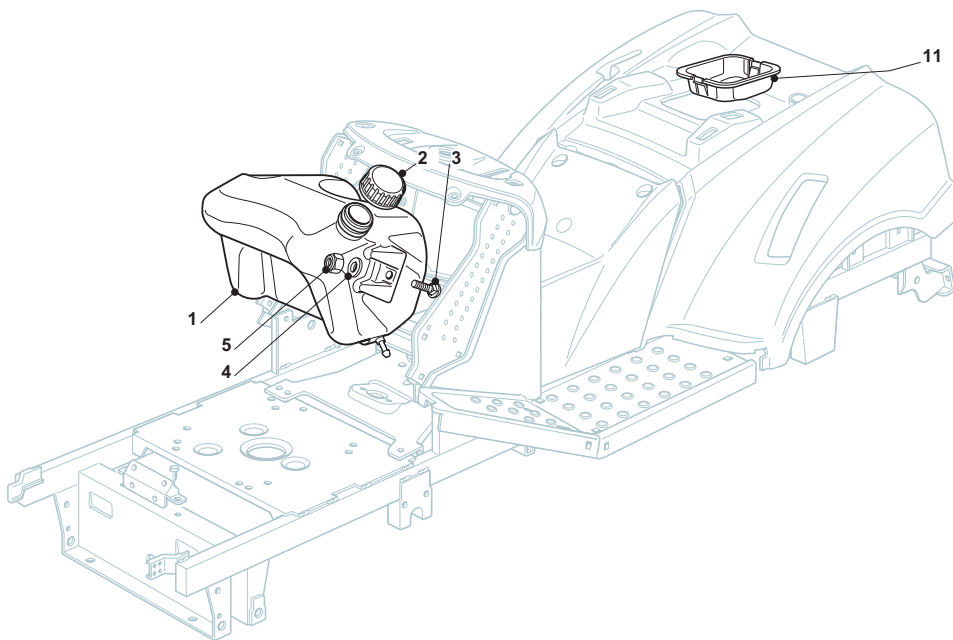
Labels							
POS	CODE	Q.TY	DESCRIZIONE	DESCRIPTION	DESCRIPTION	BESCHREIBUNG	NOTES
1	114361440/0	1	Label	Etichetta	Etiquette	Etikett	use only on model NJTP-NJX-NJS-NJU-NJA
2	125420019/0	1	Label	Etichetta	Etiquette	Etikett	1 led dashboard version
3	125420018/0	1	Label	Etichetta	Etiquette	Etikett	use only on model NJ-NJR-NJB
4	114361438/0	1	Label	Etichetta	Etiquette	Etikett	use only on model NJ-NJR-NJB
5	114361439/0	1	Label	Etichetta	Etiquette	Etikett	use only on model NJTP-NJX-NJS-NJU-NJA
6	114361452/0	1	Label	Etichetta	Etiquette	Etikett	
7	114356699/1	2	Label	Etichetta	Etiquette	Etikett	
10	114361441/0	1	Label	Etichetta	Etiquette	Etikett	
11	114361553/0	1	Label	Etichetta	Etiquette	Etikett	
12	125420020/0	1	Label	Etichetta	Etiquette	Etikett	6 led dashboard version
13	114364616/0	1	Label	Etichetta	Etiquette	Etikett	use only on model with Honda GXV 390



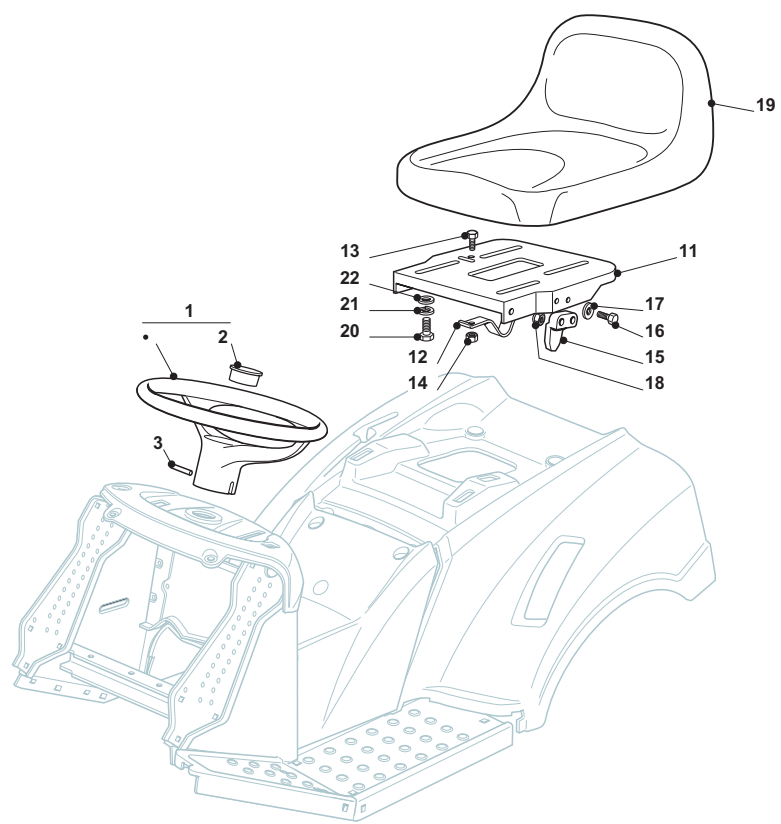


**Tank 5,5 Lt**

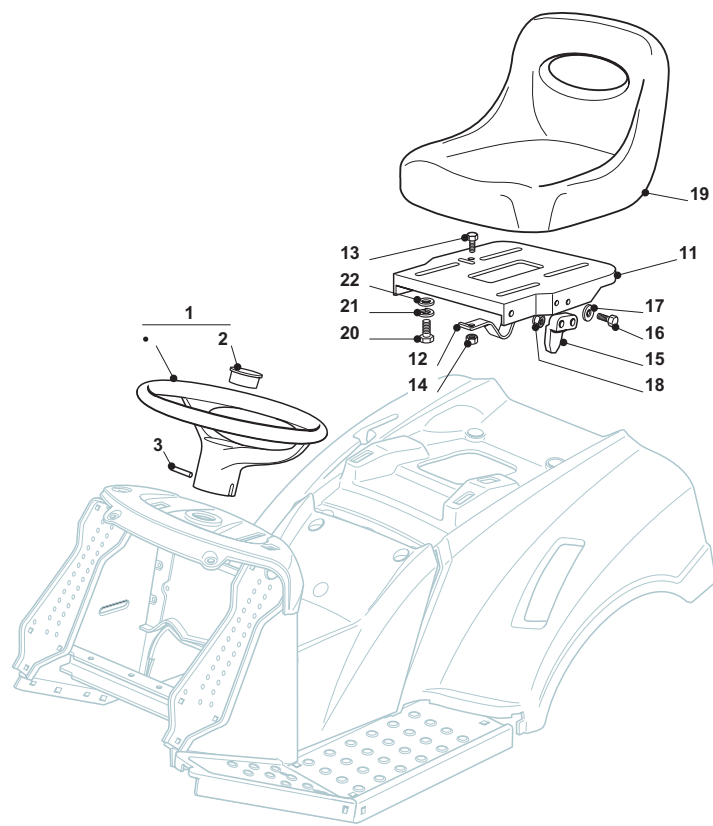
POS	CODE	Q.TY	DESCRIZIONE	DESCRIPTION	DESCRIPTION	BESCHREIBUNG	NOTES
1	325735128/0	1	Tank	Serbatoio	Réservoir à carburant	Treibstofftank	
2	125795000/0	1	Cap	Tappo	Bouchon	Stopfen	
2	125795000/1	1	Fuel Cap	Tappo Miscela	Bouhcon Mélange	Deckel Treibstoff	
3	112815210/0	2	Screw	Vite	Vis	Schraube	
4	325160039/0	2	Spacer	Distanziale	Entretoise	Distanzring	
5	112154510/0	2	Nut	Dado	Ecrou	Mutter	
11	325207176/0	1	Basin	Vaschetta	Cuvette	Wanne	



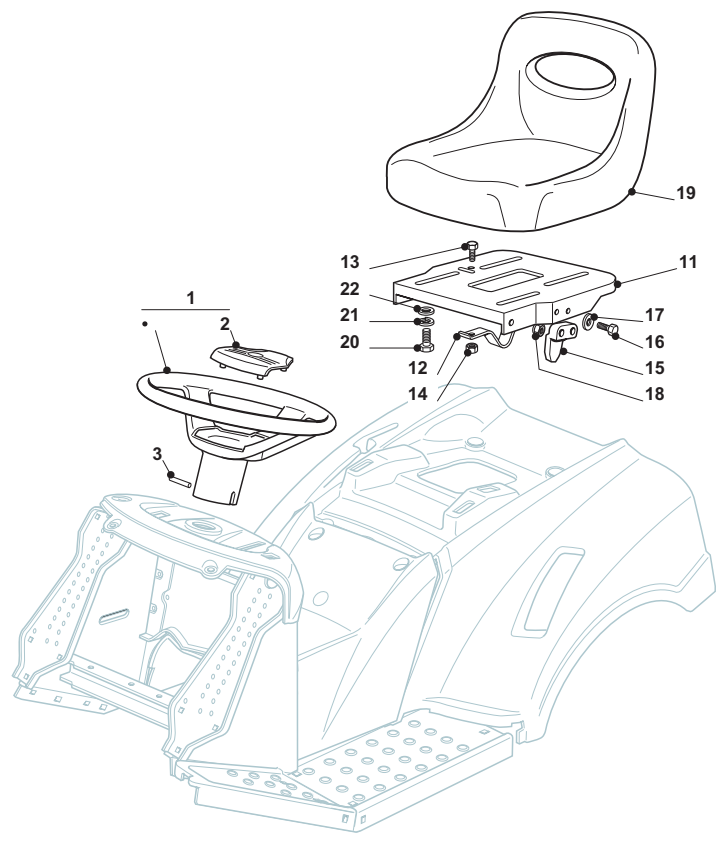
Tank 4,5 Lt							
POS	CODE	Q.TY	DESCRIZIONE	DESCRIPTION	DESCRIPTION	BESCHREIBUNG	NOTES
1	325735124/0	1	Tank	Serbatoio	Réservoir à carburant	Treibstofftank	
2	125795000/1	1	Fuel Cap	Tappo Miscela	Bouhcon Mélange	Deckel Treibstoff	
3	325785291/0	1	Support	Supporto	Support	Halter	
4	112789195/0	1	Screw	Vite	Vis	Schraube	
5	112581500/0	1	Grower	Grower	Grower	Federring	
6	112437503/0	1	Plate	Piastra	Plaque	Platte	
7	325785289/0	1	Support	Supporto	Support	Halter	
8	112735403/0	4	Screw	Vite	Vis	Schraube	
11	325207176/0	1	Basin	Vaschetta	Cuvette	Wanne	



Seat & Steering Wheel							
POS	CODE	Q.TY	DESCRIZIONE	DESCRIPTION	DESCRIPTION	BESCHREIBUNG	NOTES
1	125961201/0	1	Steering Wheel	Volante	Volant	Lenkrad	
2	325120230/0	1	Cover	Coperchio Membrana	Couvercle Membrane	Deckel Membran	
3	112620299/0	1	Elastic Pin	Spina Elastica	Goupille Élastique	Elastischer Stift	
11	325547033/1	1	Seat Plate	Piastra Sedile	Plaque Siege	Sitz Plättchen	
12	125430223/2	1	Spring	Molla	Ressort	Feder	
13	112789000/0	1	Screw	Vite	Vis	Schraube	
14	112154330/0	1	Low Self-Locking Nut	Dado Autobloccante	Écrou auto-bloquant	Selbstsichernde Mutter	
15	327063021/1	1	Cam	Camma	Came	Nocken	
16	112789100/0	2	Screw	Vite	Vis	Schraube	
17	112523020/0	2	Washer	Rosetta	Rondelle	Scheibe	
18	112154330/0	2	Low Self-Locking Nut	Dado Autobloccante	Écrou auto-bloquant	Selbstsichernde Mutter	
19	125722453/1	1	Seat	Sedile	Siege	Sitz	
20	112793101/0	4	Screw	Vite	Vis	Schraube	
21	112583500/0	4	Grower	Grower	Grower	Federring	
22	112523060/0	4	Washer	Rosetta	Rondelle	Scheibe	

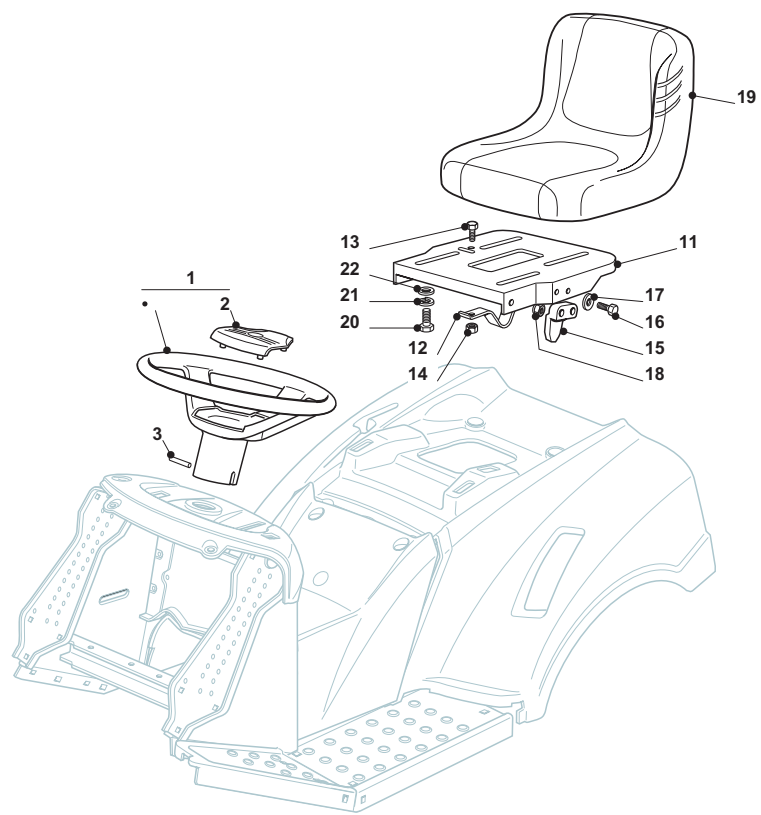


Seat & Steering Wheel							
POS	CODE	Q.TY	DESCRIZIONE	DESCRIPTION	DESCRIPTION	BESCHREIBUNG	NOTES
1	125961201/0	1	Steering Wheel	Volante	Volant	Lenkrad	
2	325120230/0	1	Cover	Coperchio Membrana	Couvercle Membrane	Deckel Membran	
3	112620299/0	1	Elastic Pin	Spina Elastica	Goupille Élastique	Elastischer Stift	
11	325547033/1	1	Seat Plate	Piastra Sedile	Plaque Siege	Sitz Plättchen	
12	125430223/2	1	Spring	Molla	Ressort	Feder	
13	112789000/0	1	Screw	Vite	Vis	Schraube	
14	112154330/0	1	Low Self-Locking Nut	Dado Autobloccante	Écrou auto-bloquant	Selbstsichernde Mutter	
15	327063021/1	1	Cam	Camma	Came	Nocken	
16	112789100/0	2	Screw	Vite	Vis	Schraube	
17	112523020/0	2	Washer	Rosetta	Rondelle	Scheibe	
18	112154330/0	2	Low Self-Locking Nut	Dado Autobloccante	Écrou auto-bloquant	Selbstsichernde Mutter	
19	125722470/0	1	Seat	Sedile	Siege	Sitz	
20	112793101/0	4	Screw	Vite	Vis	Schraube	
21	112583500/0	4	Grower	Grower	Grower	Federring	
22	112523060/0	4	Washer	Rosetta	Rondelle	Scheibe	

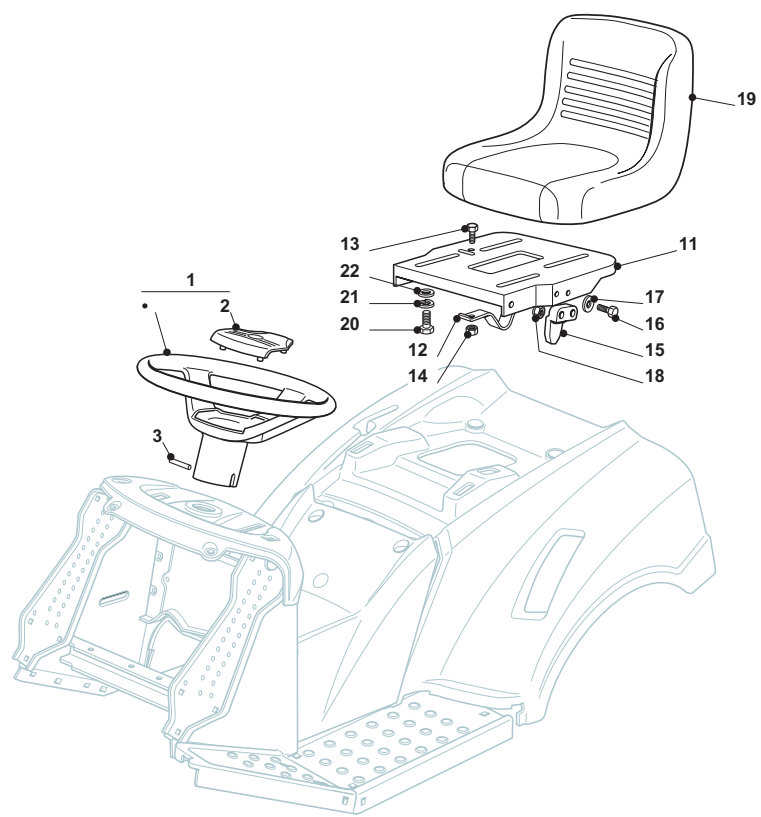




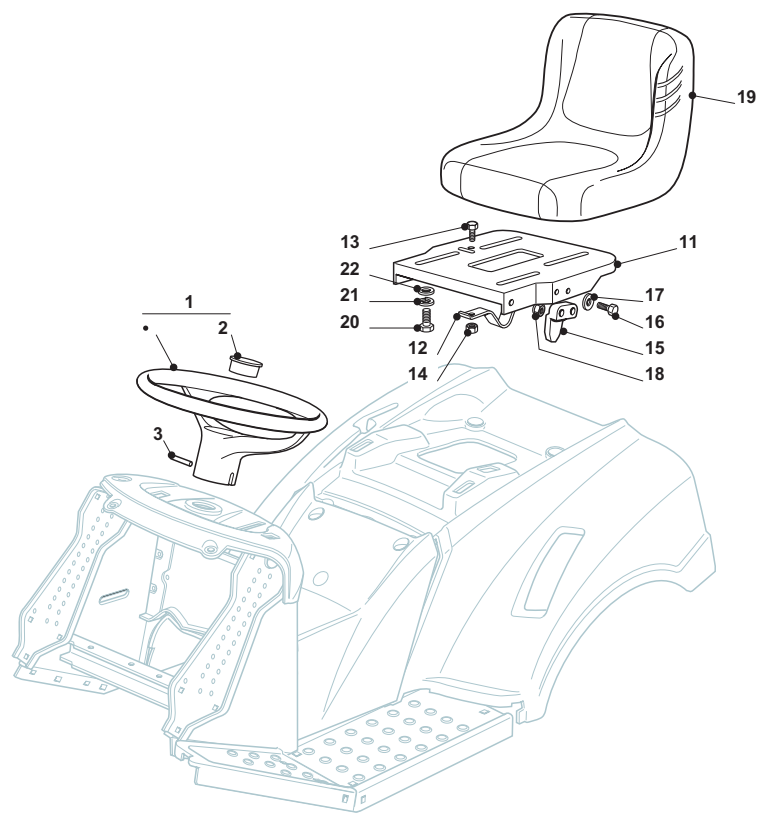
Seat & Steering Wheel							
POS	CODE	Q.TY	DESCRIZIONE	DESCRIPTION	DESCRIPTION	BESCHREIBUNG	NOTES
1	125961212/0	1	Steering Wheel	Volante	Volant	Lenkrad	Grey
1	125961216/0	1	Steering Wheel	Volante	Volant	Lenkrad	Black
2	325580500/0	1	Cap	Tappo	Bouchon	Stopfen	
2	325580501/0	1	Cap	Tappo	Bouchon	Stopfen	
3	112620299/0	1	Elastic Pin	Spina Elastica	Goupille Élastique	Elastischer Stift	
11	325547033/1	1	Seat Plate	Piastra Sedile	Plaque Siege	Sitz Plättchen	
12	125430223/2	1	Spring	Molla	Ressort	Feder	
13	112789000/0	1	Screw	Vite	Vis	Schraube	
14	112154330/0	1	Low Self-Locking Nut	Dado Autobloccante	Écrou auto-bloquant	Selbstsichernde Mutter	
15	327063021/1	1	Cam	Camma	Came	Nocken	
16	112789100/0	2	Screw	Vite	Vis	Schraube	
17	112523020/0	2	Washer	Rosetta	Rondelle	Scheibe	
18	112154330/0	2	Low Self-Locking Nut	Dado Autobloccante	Écrou auto-bloquant	Selbstsichernde Mutter	
19	125722463/0	1	Seat	Sedile	Siege	Sitz	
20	112793101/0	4	Screw	Vite	Vis	Schraube	
21	112583500/0	4	Grower	Grower	Grower	Federring	
22	112523060/0	4	Washer	Rosetta	Rondelle	Scheibe	



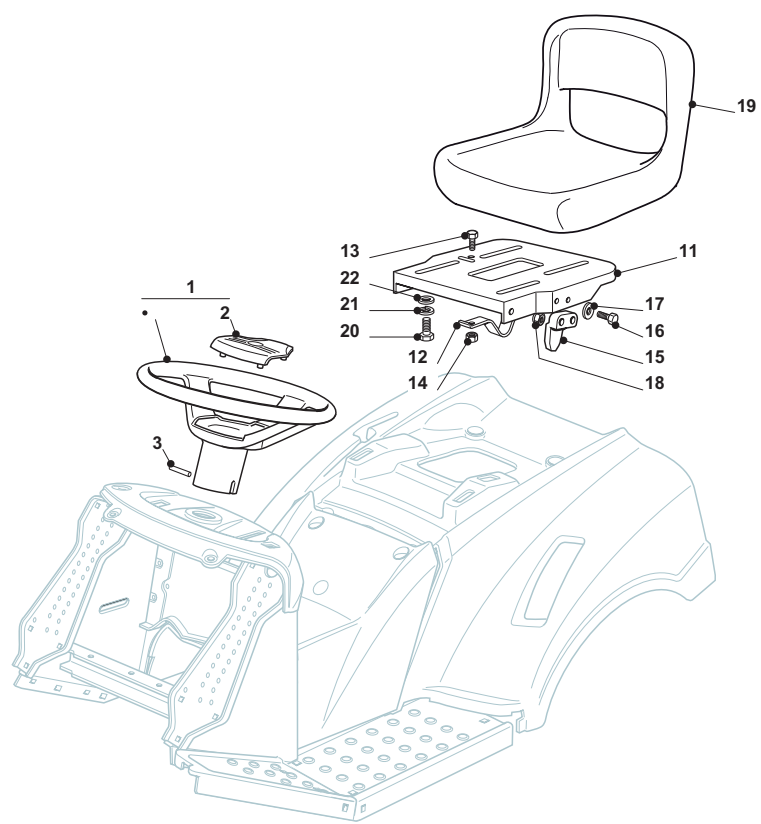
Seat & Steering Wheel							
POS	CODE	Q.TY	DESCRIZIONE	DESCRIPTION	DESCRIPTION	BESCHREIBUNG	NOTES
1	125961212/0	1	Steering Wheel	Volante	Volant	Lenkrad	
2	325580500/0	1	Cap	Tappo	Bouchon	Stopfen	
3	112620299/0	1	Elastic Pin	Spina Elastica	Goupille Élastique	Elastischer Stift	
11	325547033/1	1	Seat Plate	Piastra Sedile	Plaque Siege	Sitz Plättchen	
12	125430223/2	1	Spring	Molla	Ressort	Feder	
13	112789000/0	1	Screw	Vite	Vis	Schraube	
14	112154330/0	1	Low Self-Locking Nut	Dado Autobloccante	Écrou auto-bloquant	Selbstsichernde Mutter	
15	327063021/1	1	Cam	Camma	Came	Nocken	
16	112789100/0	2	Screw	Vite	Vis	Schraube	
17	112523020/0	2	Washer	Rosetta	Rondelle	Scheibe	
18	112154330/0	2	Low Self-Locking Nut	Dado Autobloccante	Écrou auto-bloquant	Selbstsichernde Mutter	
19	125722453/1	1	Seat	Sedile	Siege	Sitz	
20	112793101/0	4	Screw	Vite	Vis	Schraube	
21	112583500/0	4	Grower	Grower	Grower	Federring	
22	112523060/0	4	Washer	Rosetta	Rondelle	Scheibe	



Seat & Steering Wheel							
POS	CODE	Q.TY	DESCRIZIONE	DESCRIPTION	DESCRIPTION	BESCHREIBUNG	NOTES
1	125961201/0	1	Steering Wheel	Volante	Volant	Lenkrad	
2	325120230/0	1	Cover	Coperchio Membrana	Couvercle Membrane	Deckel Membran	
3	112620299/0	1	Elastic Pin	Spina Elastica	Goupille Élastique	Elastischer Stift	
11	325547033/1	1	Seat Plate	Piastra Sedile	Plaque Siege	Sitz Plättchen	
12	125430223/2	1	Spring	Molla	Ressort	Feder	
13	112789000/0	1	Screw	Vite	Vis	Schraube	
14	112154330/0	1	Low Self-Locking Nut	Dado Autobloccante	Écrou auto-bloquant	Selbstsichernde Mutter	
15	327063021/1	1	Cam	Camma	Came	Nocken	
16	112789100/0	2	Screw	Vite	Vis	Schraube	
17	112523020/0	2	Washer	Rosetta	Rondelle	Scheibe	
18	112154330/0	2	Low Self-Locking Nut	Dado Autobloccante	Écrou auto-bloquant	Selbstsichernde Mutter	
19	125722463/0	1	Seat	Sedile	Siege	Sitz	
20	112793101/0	4	Screw	Vite	Vis	Schraube	
21	112583500/0	4	Grower	Grower	Grower	Federring	
22	112523060/0	4	Washer	Rosetta	Rondelle	Scheibe	

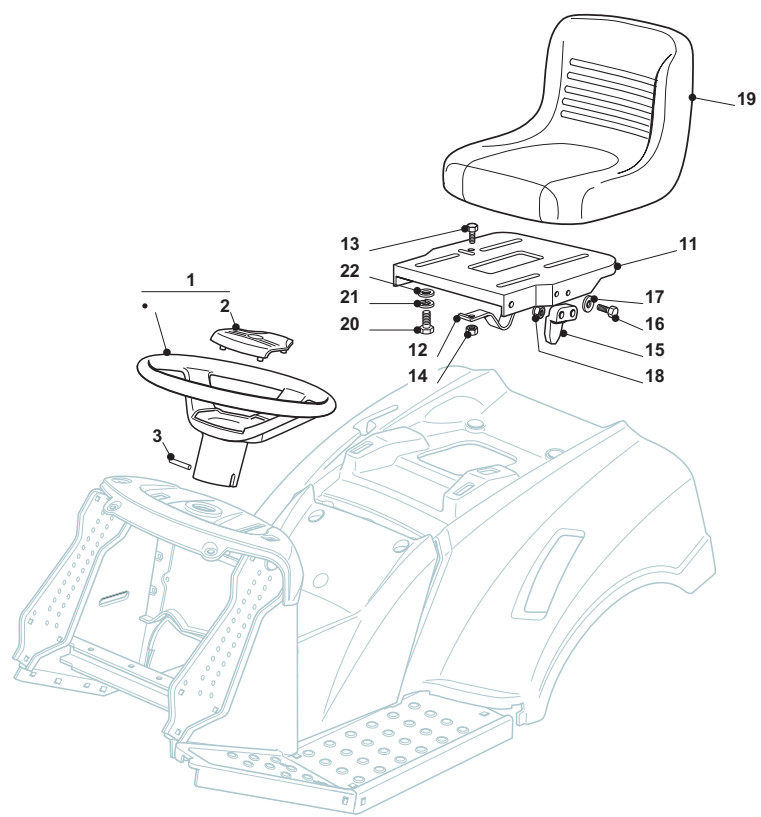


Seat & Steering Wheel							
POS	CODE	Q.TY	DESCRIZIONE	DESCRIPTION	DESCRIPTION	BESCHREIBUNG	NOTES
1	125961216/0	1	Steering Wheel	Volante	Volant	Lenkrad	
2	325580501/0	1	Cap	Tappo	Bouchon	Stopfen	
3	112620299/0	1	Elastic Pin	Spina Elastica	Goupille Élastique	Elastischer Stift	
11	325547033/1	1	Seat Plate	Piastra Sedile	Plaque Siege	Sitz Plättchen	
12	125430223/2	1	Spring	Molla	Ressort	Feder	
13	112789000/0	1	Screw	Vite	Vis	Schraube	
14	112154330/0	1	Low Self-Locking Nut	Dado Autobloccante	Écrou auto-bloquant	Selbstsichernde Mutter	
15	327063021/1	1	Cam	Camma	Came	Nocken	
16	112789100/0	2	Screw	Vite	Vis	Schraube	
17	112523020/0	2	Washer	Rosetta	Rondelle	Scheibe	
18	112154330/0	2	Low Self-Locking Nut	Dado Autobloccante	Écrou auto-bloquant	Selbstsichernde Mutter	
19	125722471/0	1	Seat	Sedile	Siege	Sitz	
20	112793101/0	4	Screw	Vite	Vis	Schraube	
21	112583500/0	4	Grower	Grower	Grower	Federring	
22	112523060/0	4	Washer	Rosetta	Rondelle	Scheibe	

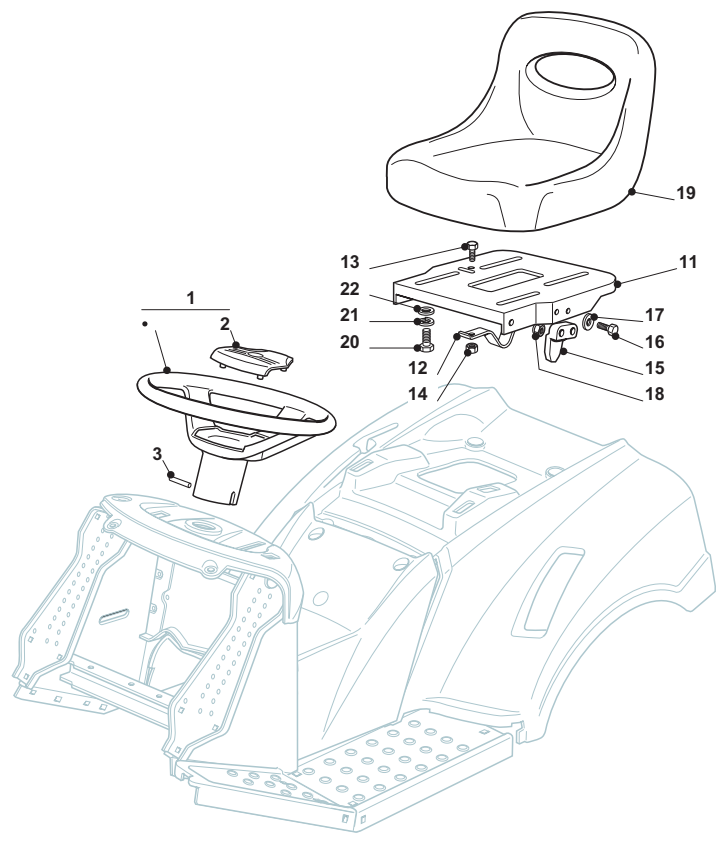




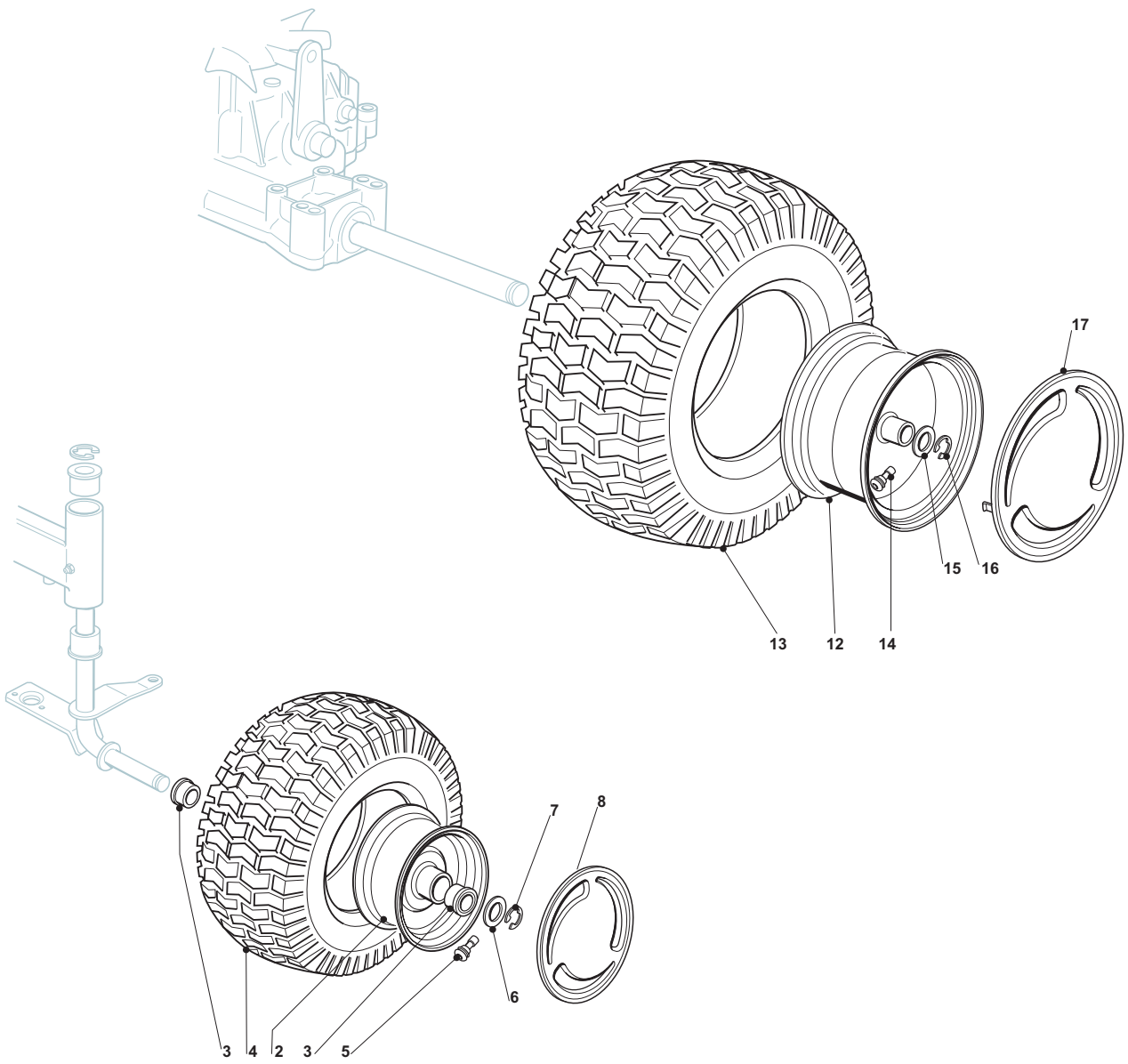
Seat & Steering Wheel							
POS	CODE	Q.TY	DESCRIZIONE	DESCRIPTION	DESCRIPTION	BESCHREIBUNG	NOTES
1	125961201/0	1	Steering Wheel	Volante	Volant	Lenkrad	
2	325120230/0	1	Cover	Coperchio Membrana	Couvercle Membrane	Deckel Membran	
3	112620299/0	1	Elastic Pin	Spina Elastica	Goupille Élastique	Elastischer Stift	
11	325547033/1	1	Seat Plate	Piastra Sedile	Plaque Siege	Sitz Plättchen	
12	125430223/2	1	Spring	Molla	Ressort	Feder	
13	112789000/0	1	Screw	Vite	Vis	Schraube	
14	112154330/0	1	Low Self-Locking Nut	Dado Autobloccante	Écrou auto-bloquant	Selbstsichernde Mutter	
15	327063021/1	1	Cam	Camma	Came	Nocken	
16	112789100/0	2	Screw	Vite	Vis	Schraube	
17	112523020/0	2	Washer	Rosetta	Rondelle	Scheibe	
18	112154330/0	2	Low Self-Locking Nut	Dado Autobloccante	Écrou auto-bloquant	Selbstsichernde Mutter	
19	125722471/0	1	Seat	Sedile	Siege	Sitz	
20	112793101/0	4	Screw	Vite	Vis	Schraube	
21	112583500/0	4	Grower	Grower	Grower	Federring	
22	112523060/0	4	Washer	Rosetta	Rondelle	Scheibe	



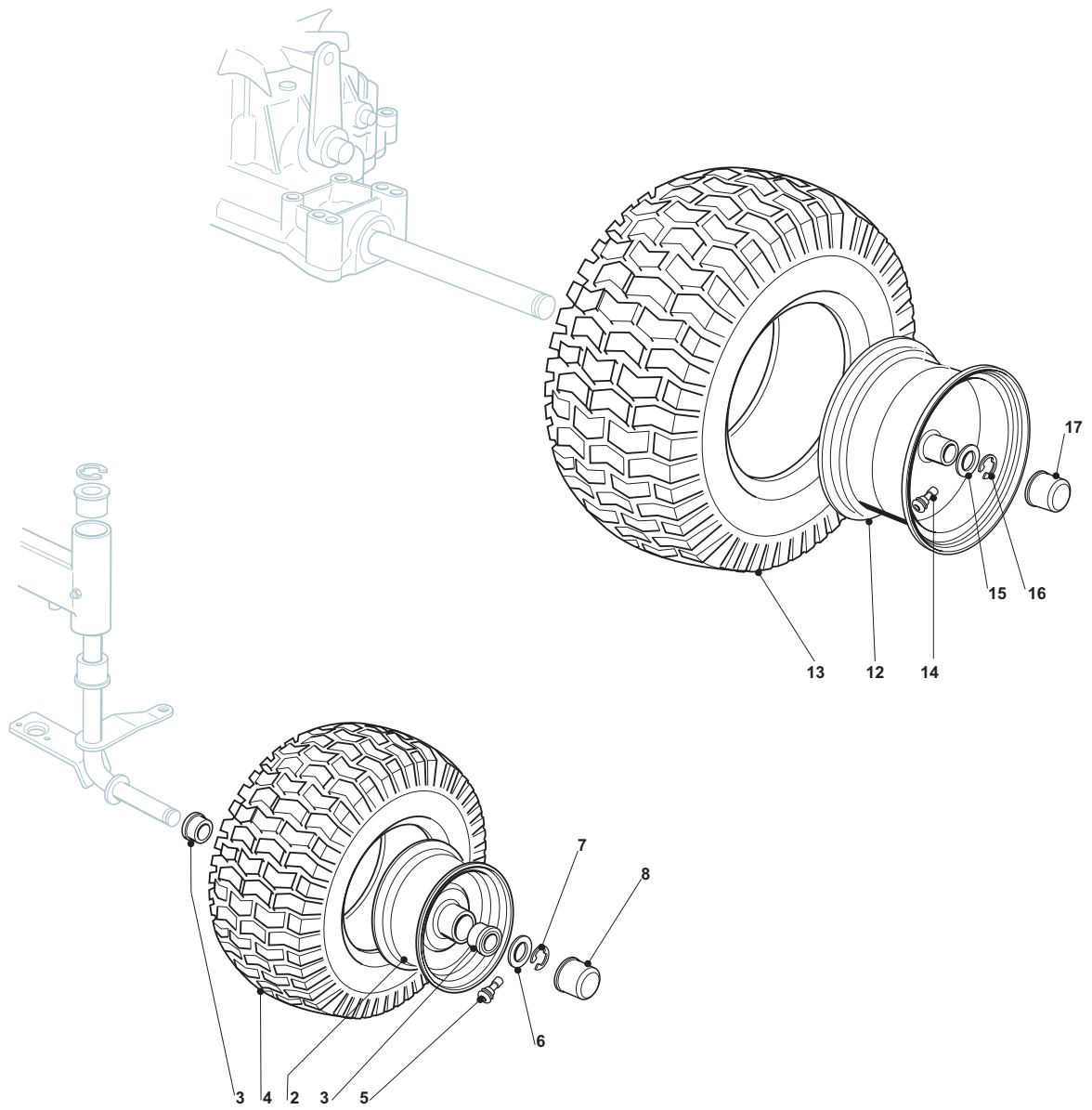
Seat & Steering Wheel							
POS	CODE	Q.TY	DESCRIZIONE	DESCRIPTION	DESCRIPTION	BESCHREIBUNG	NOTES
1	125961209/0	1	Steering Wheel	Volante	Volant	Lenkrad	
2	325580501/0	1	Cap	Tappo	Bouchon	Stopfen	
3	112620299/0	1	Elastic Pin	Spina Elastica	Goupille Élastique	Elastischer Stift	
11	325547033/1	1	Seat Plate	Piastra Sedile	Plaque Siege	Sitz Plättchen	
12	125430223/2	1	Spring	Molla	Ressort	Feder	
13	112789000/0	1	Screw	Vite	Vis	Schraube	
14	112154330/0	1	Low Self-Locking Nut	Dado Autobloccante	Écrou auto-bloquant	Selbstsichernde Mutter	
15	327063021/1	1	Cam	Camma	Came	Nocken	
16	112789100/0	2	Screw	Vite	Vis	Schraube	
17	112523020/0	2	Washer	Rosetta	Rondelle	Scheibe	
18	112154330/0	2	Low Self-Locking Nut	Dado Autobloccante	Écrou auto-bloquant	Selbstsichernde Mutter	
19	125722456/0	1	Seat	Sedile	Siege	Sitz	
20	112793101/0	4	Screw	Vite	Vis	Schraube	
21	112583500/0	4	Grower	Grower	Grower	Federring	
22	112523060/0	4	Washer	Rosetta	Rondelle	Scheibe	



Seat & Steering Wheel							
POS	CODE	Q.TY	DESCRIZIONE	DESCRIPTION	DESCRIPTION	BESCHREIBUNG	NOTES
1	125961216/0	1	Steering Wheel	Volante	Volant	Lenkrad	
2	325580501/0	1	Cap	Tappo	Bouchon	Stopfen	
3	112620299/0	1	Elastic Pin	Spina Elastica	Goupille Élastique	Elastischer Stift	
11	325547033/1	1	Seat Plate	Piastra Sedile	Plaque Siege	Sitz Plättchen	
12	125430223/2	1	Spring	Molla	Ressort	Feder	
13	112789000/0	1	Screw	Vite	Vis	Schraube	
14	112154330/0	1	Low Self-Locking Nut	Dado Autobloccante	Écrou auto-bloquant	Selbstsichernde Mutter	
15	327063021/1	1	Cam	Camma	Came	Nocken	
16	112789100/0	2	Screw	Vite	Vis	Schraube	
17	112523020/0	2	Washer	Rosetta	Rondelle	Scheibe	
18	112154330/0	2	Low Self-Locking Nut	Dado Autobloccante	Écrou auto-bloquant	Selbstsichernde Mutter	
19	125722453/1	1	Seat	Sedile	Siege	Sitz	
20	112793101/0	4	Screw	Vite	Vis	Schraube	
21	112583500/0	4	Grower	Grower	Grower	Federring	
22	112523060/0	4	Washer	Rosetta	Rondelle	Scheibe	

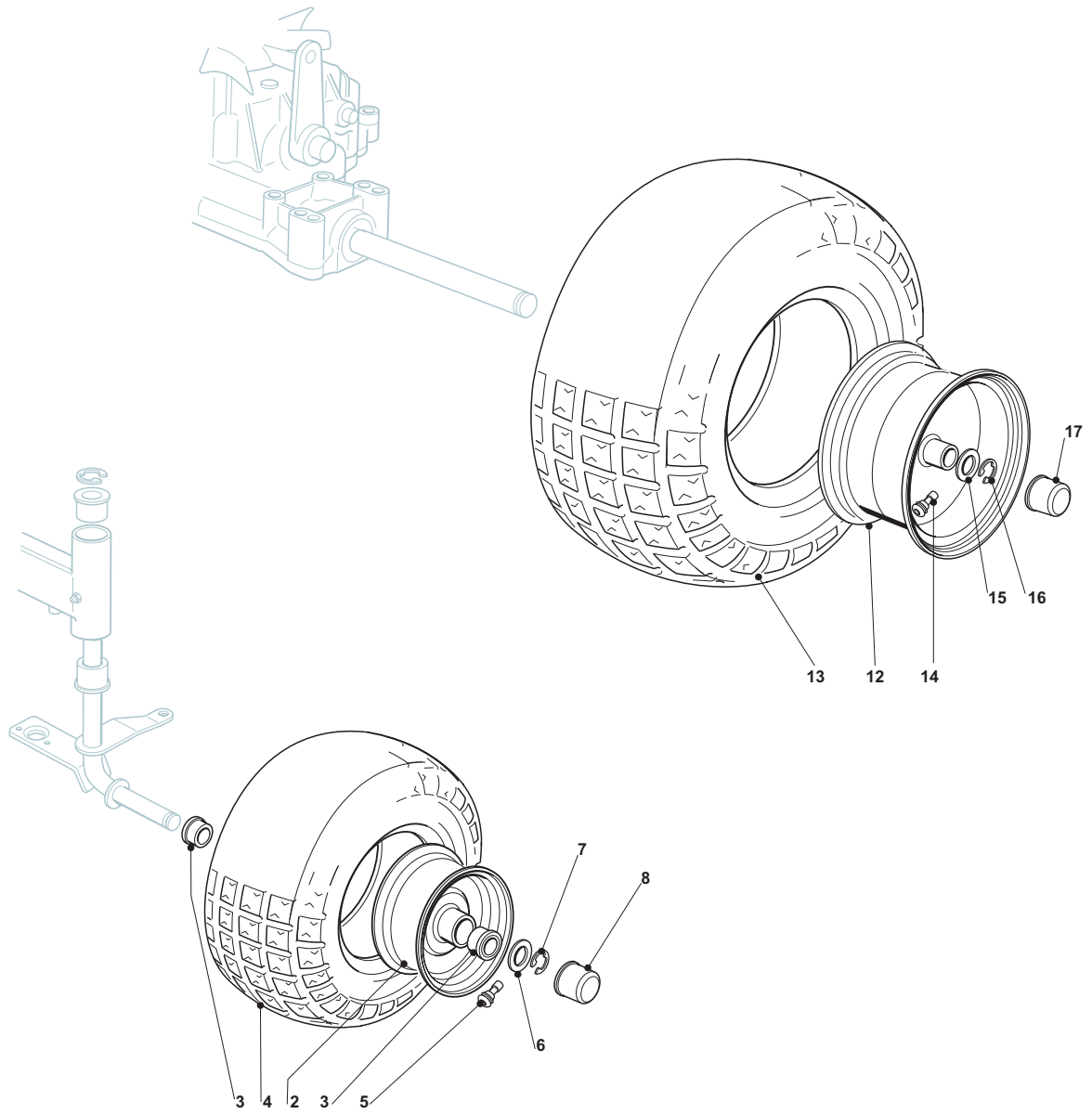


Wheels							
POS	CODE	Q.TY	DESCRIZIONE	DESCRIPTION	DESCRIPTION	BESCHREIBUNG	NOTES
2	182000598/0	2	Rimm	Cerchio Ruota	Bandage Roue	Vorderrad Felger	
3	125122200/2	4	Bearing	Cuscinetto	Roul. À Billes	Kugellager	
4	125590014/0	2	Tyre	Pneumatico	Pneu	Reifen	
4	127590066/0	2	Tyre	Pneumatico	Pneu	Reifen	
5	125950000/0	2	Valve	Valvola	Vanne	Ventil	
6	125670005/1	2	Washer	Rosetta	Rondelle	Scheibe	
7	112001000/0	2	Benzing Ring	Anello Benzing	Anneau Benzing	Ring Benzing	
8	122110230/0	2	Hub Cover	Coprिमozzo	Couvre Moyeu	Nabedeckel	
12	182000599/0	2	Rimm	Cerchio Ruota	Bandage Roue	Vorderrad Felger	
13	125590015/0	2	Tyre	Pneumatico	Pneu	Reifen	
14	125950000/0	2	Valve	Valvola	Vanne	Ventil	
15	125670005/1	2	Washer	Rosetta	Rondelle	Scheibe	
16	112001010/0	2	Benzing Ring	Anello Benzing	Anneau Benzing	Ring Benzing	
17	122110230/0	2	Hub Cover	Coprिमozzo	Couvre Moyeu	Nabedeckel	

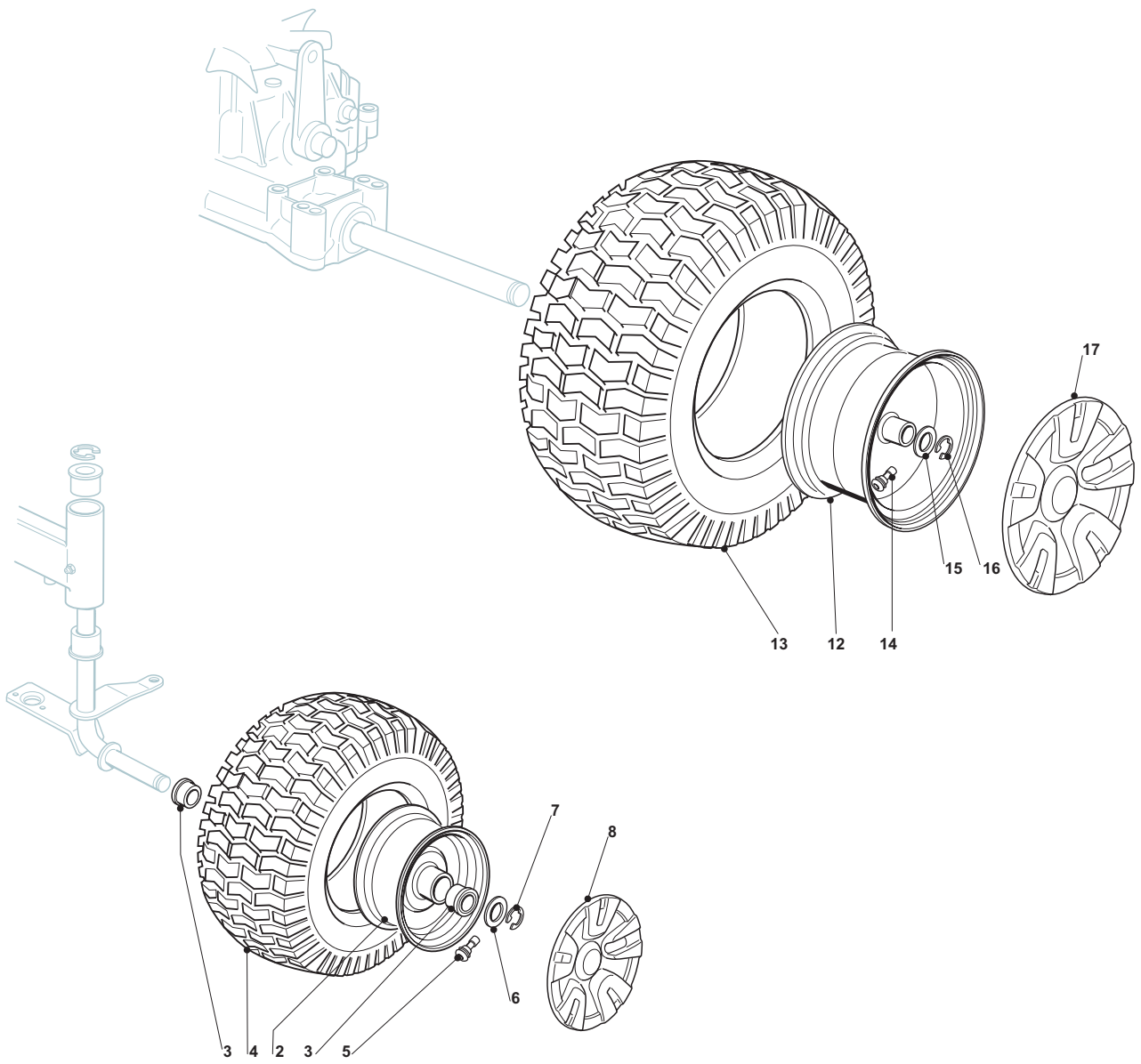




Wheels							
POS	CODE	Q.TY	DESCRIZIONE	DESCRIPTION	DESCRIPTION	BESCHREIBUNG	NOTES
2	182000598/0	2	Rimm	Cerchio Ruota	Bandage Roue	Vorderrad Felger	
3	125122200/2	4	Bearing	Cuscinetto	Roul. À Billes	Kugellager	
4	125590014/0	2	Tyre	Pneumatico	Pneu	Reifen	
4	127590066/0	2	Tyre	Pneumatico	Pneu	Reifen	
5	125950000/0	2	Valve	Valvola	Vanne	Ventil	
6	125670005/1	2	Washer	Rosetta	Rondelle	Scheibe	
7	112001000/0	2	Benzing Ring	Anello Benzing	Anneau Benzing	Ring Benzing	
8	382110252/0	2	Front Wheel Cover	Copridisco Ruota Anteriore	Couvre Disque Roue Avant	Front Wheel Cover	
12	182000599/0	2	Rimm	Cerchio Ruota	Bandage Roue	Vorderrad Felger	
13	125590015/0	2	Tyre	Pneumatico	Pneu	Reifen	
14	125950000/0	2	Valve	Valvola	Vanne	Ventil	
15	125670005/1	2	Washer	Rosetta	Rondelle	Scheibe	
16	112001010/0	2	Benzing Ring	Anello Benzing	Anneau Benzing	Ring Benzing	
17	382110253/0	2	Hub Cover	Coprimozzo	Couvre Moyeu	Nabendeckel	



Wheels							
POS	CODE	Q.TY	DESCRIZIONE	DESCRIPTION	DESCRIPTION	BESCHREIBUNG	NOTES
2	182000598/0	2	Rimm	Cerchio Ruota	Bandage Roue	Vorderrad Felger	
3	125122200/2	4	Bearing	Cuscinetto	Roul. À Billes	Kugellager	
4	125590014/0	2	Tyre	Pneumatico	Pneu	Reifen	
4	127590066/0	2	Tyre	Pneumatico	Pneu	Reifen	
5	125950000/0	2	Valve	Valvola	Vanne	Ventil	
6	125670005/1	2	Washer	Rosetta	Rondelle	Scheibe	
7	112001000/0	2	Benzing Ring	Anello Benzing	Anneau Benzing	Ring Benzing	
8	382110274/0	2	Hub Cover	Coprismozzo	Couvre Moyeu	Nabendeckel	
12	182000599/0	2	Rimm	Cerchio Ruota	Bandage Roue	Vorderrad Felger	
13	125590015/0	2	Tyre	Pneumatico	Pneu	Reifen	
14	125950000/0	2	Valve	Valvola	Vanne	Ventil	
15	125670005/1	2	Washer	Rosetta	Rondelle	Scheibe	
16	112001010/0	2	Benzing Ring	Anello Benzing	Anneau Benzing	Ring Benzing	
17	382110275/0	2	Rear Wheel Deck	Copriruota Posteriore	Couvre Roue Post.	Hinterraddeckel	



Wheels							
POS	CODE	Q.TY	DESCRIZIONE	DESCRIPTION	DESCRIPTION	BESCHREIBUNG	NOTES
2	182000590/1	2	Rimm	Cerchio Ruota	Bandage Roue	Vorderrad Felger	
3	125122200/2	4	Bearing	Cuscinetto	Roul. À Billes	Kugellager	
4	125590020/0	2	Tyre	Pneumatico	Pneu	Reifen	
5	125950000/0	2	Valve	Valvola	Vanne	Ventil	
6	125670005/1	2	Washer	Rosetta	Rondelle	Scheibe	
7	112001000/0	2	Benzing Ring	Anello Benzing	Anneau Benzing	Ring Benzing	
8	122110230/0	2	Hub Cover	Hub Cover	Hub Cover	Hub Cover	
12	182000592/0	2	Rear Wheel Rimm	Cerchio Ruota Posteriore	Bandage Roue Arriere	Hinterrad Felger	
13	125590022/0	2	Tyre	Pneumatico	Pneu	Reifen	
14	125950000/0	2	Valve	Valvola	Vanne	Ventil	
15	125670005/1	2	Washer	Rosetta	Rondelle	Scheibe	
16	112001010/0	2	Benzing Ring	Anello Benzing	Anneau Benzing	Ring Benzing	
17	122110230/0	2	Hub Cover	Coprismozzo	Couvre Moyeu	Nabendeckel	