



**235      235e**

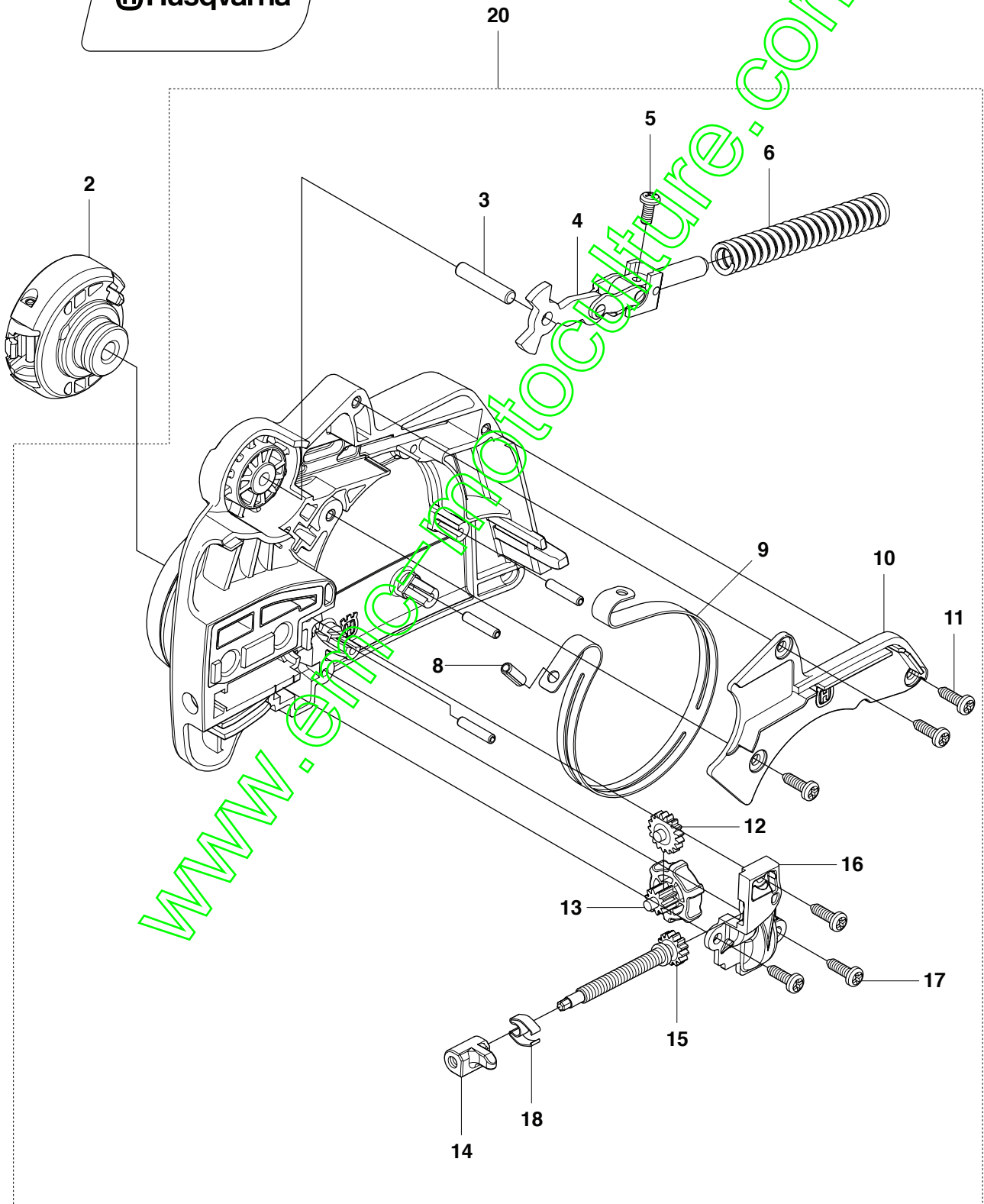
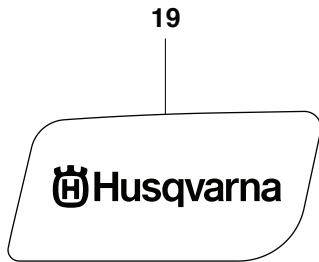
**236      236e**

**240      240e**

**Spare parts  
Ersatzteile  
Pièces détachées  
Reserve onderdelen  
Repuestos  
Reservdelar**

[www.emc-motoculture.com](http://www.emc-motoculture.com)

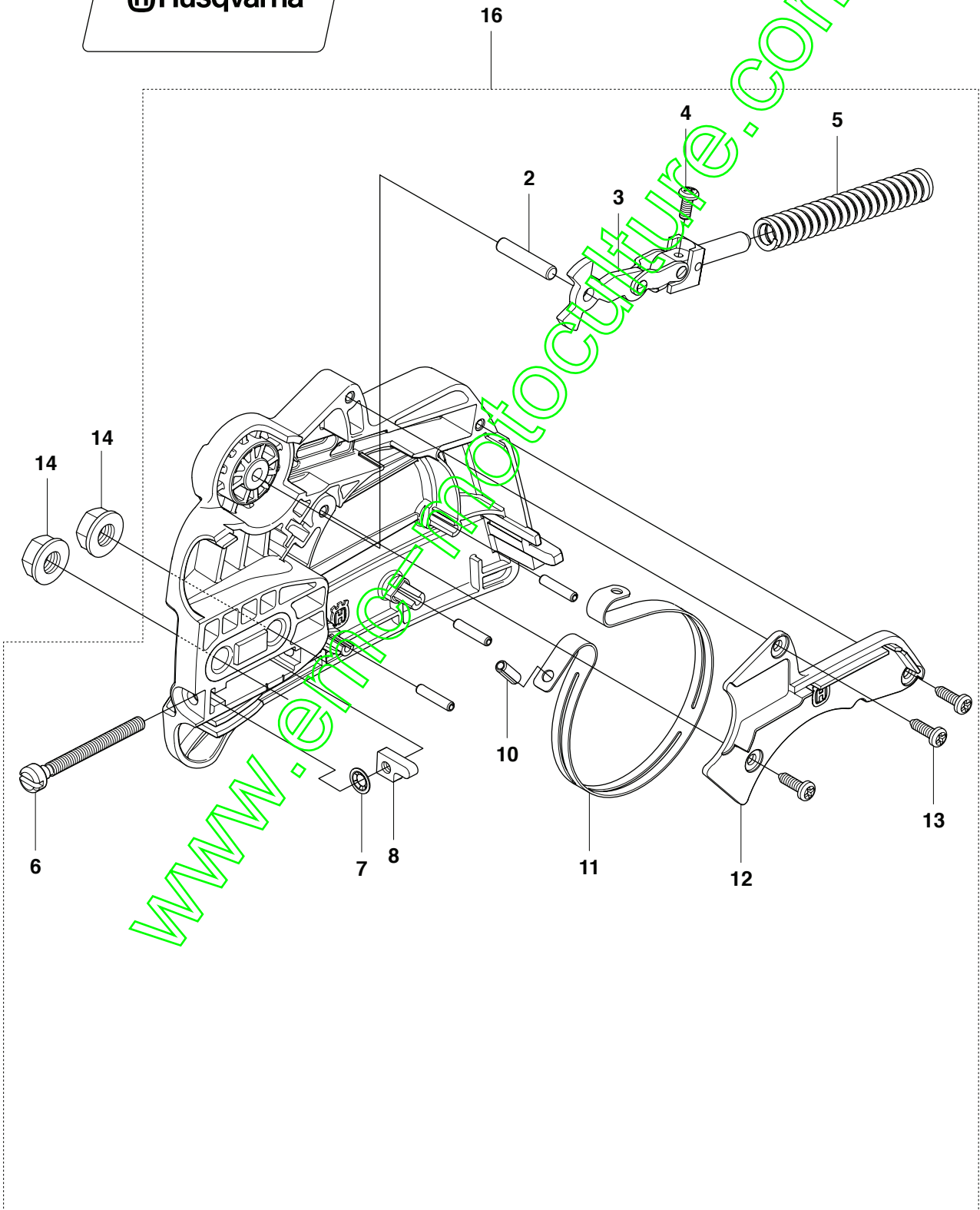
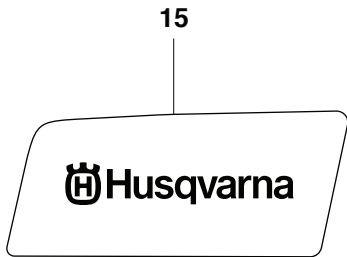
**A** 235e, 236e, 240e  
CHAIN BRAKE ASSY



Position	Article	Quantity	Description	Kit
2	545 14 64-01	1	ASSEMBLY KNOB EZT	
3	530 05 79-50	1	PIN, DOWEL	20
4	530 05 79-40	1	ASSY, FRONT LINK	20
5	530 01 59-11	1	M3.83 X 1.81 X 9 PLASTITE	20
6	530 01 64-15	1	SPRING COMPRESSION	20
8	530 01 59-13	1	PIN, BAND RETAINER	20
9	530 05 79-23	1	BRAKE BAND	20
10	545 07 10-01	1	COVER, BRAKE BAND	20
11	545 22 71-01	3	SCP#619 X .437 .PL. PAN.	20
12	545 06 02-01	1	GEAR, IDLER	20
13	525 88 42-01	1	THUMBWHEEL, ADJUST ASSY	20
14	574 20 17-01	1	PIN, BAR ADJUSTING	20
15	545 06 59-01	1	ASSY ADJUSTER SCREW	20
16	545 05 92-01	1	COVER, GEAR	20
17	545 22 71-01	3	SCP#619 X .437 .PL. PAN.	20
18	545 14 93-01	1	CLIP, EZT SPRING	20
19	545 11 86-01	1	DECAL, EZT CLUTCH COVER	
20	525 61 14-01	1	CHAIN BRAKE ASSEMBLY	

www.emc-motocycle.com

**B** 235, 236, 240  
CHAIN BRAKE ASSY

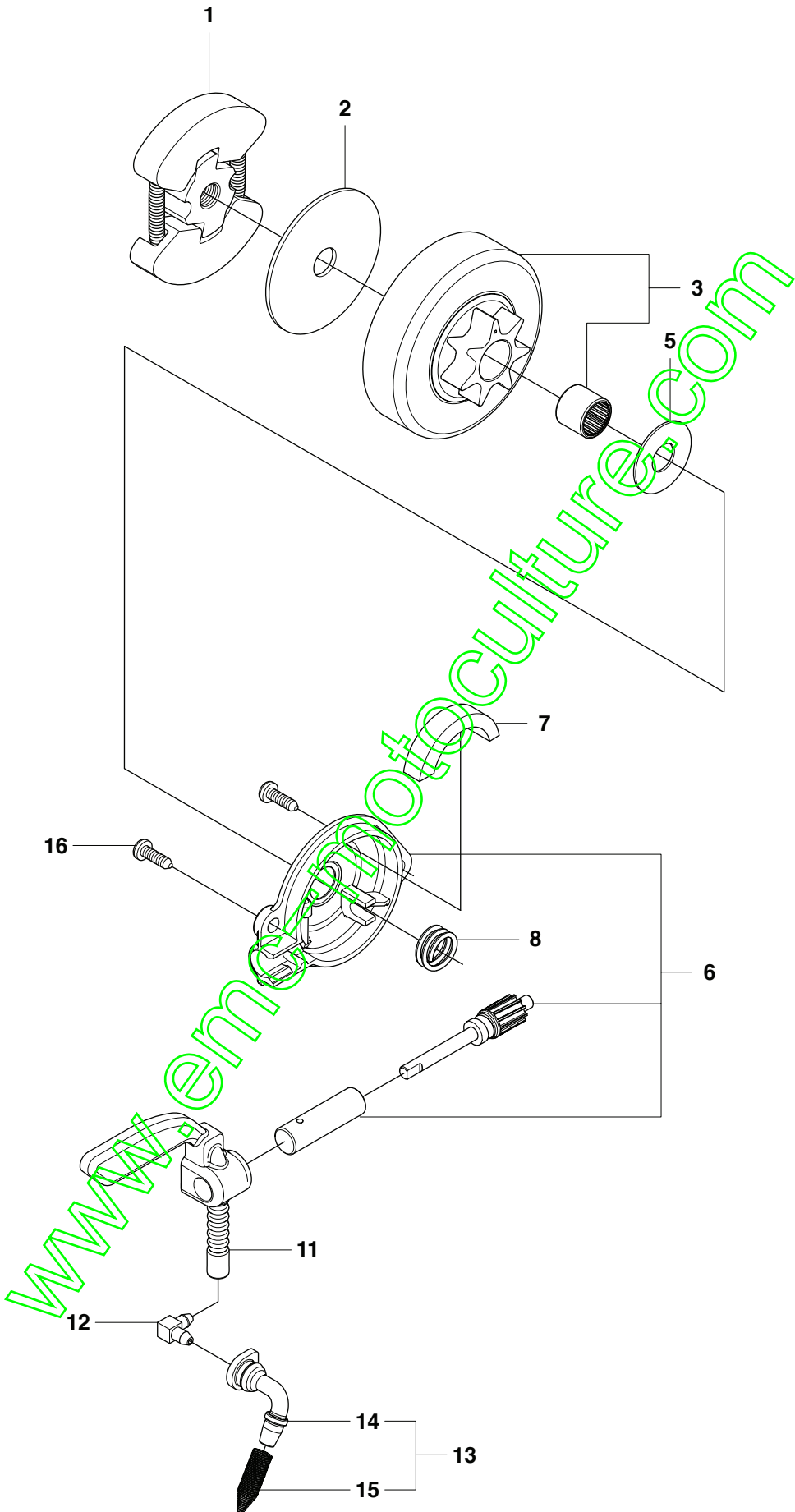


CHAIN BRAKE ASSY

Position	Article	Quantity	Description	Kit
2	530 05 79-50	1	PIN, DOWEL	16
3	530 05 79-40	1	ASSY, FRONT LINK	16
4	530 01 59-11	1	M3.83 X 1.81 X 9 PLASTITE	16
5	530 01 64-15	1	SPRING COMPRESSION	16
6	530 01 61-10	1	SCREW BAR ADJUSTING	16
7	530 03 85-93	1	RETAINER PUSH NUT	16
8	530 01 58-26	1	PIN BAR ADJUST	16
10	530 01 59-13	1	PIN, BAND RETAINER	16
11	530 05 79-23	1	BRAKE BAND	16
12	545 07 10-01	1	COVER, BRAKE BAND	16
13	545 22 71-01	3	SCP#619 X .437 .PL. PAN	16
14	530 01 59-17	2	NUT, BAR MTG	
15	545 11 87-01	1	DECAL	
16	525 62 89-01	1	CHAIN BRAKE ASSY FRT ADJ	

www.emc-motoculture.com

**C** 235, 235e, 236, 236e, 240, 240e  
CLUTCH AND OIL PUMP

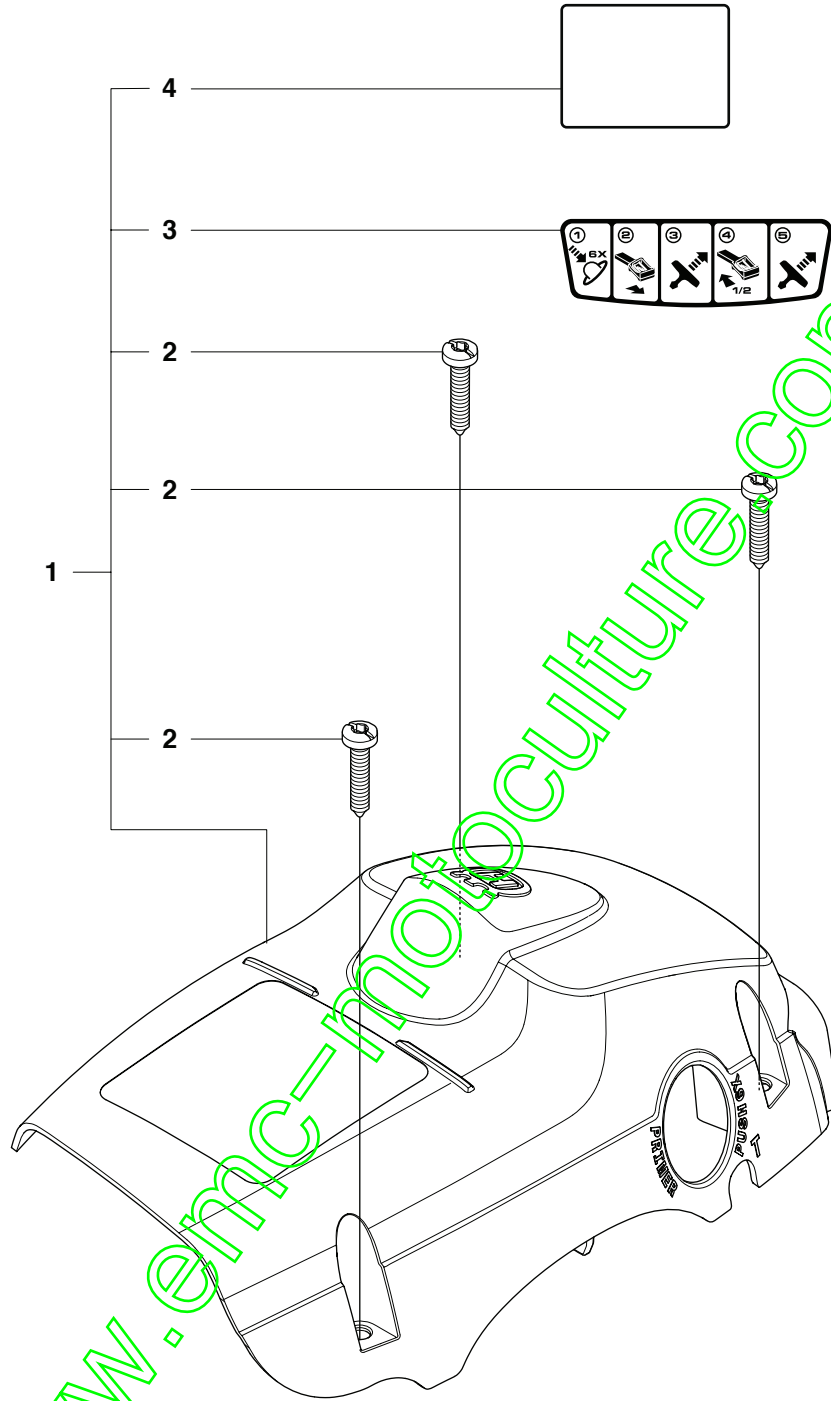


CLUTCH AND OIL PUMP

Position	Article	Quantity	Description	Kit
1	530 01 49-49	1	ASSY CLUTCH	
2	530 01 56-11	1	WASHER, CLUTCH (LARGE)	
3	530 04 70-61	1	3/86 TOOTH DRUM ASSEMBLY	
3	530 04 81-32	1	.3257 TOOTH DRUM ASSEMBLY	
5	530 01 59-07	1	WASHER, THRUST	
6	574 71 93-01	1	ASSEMBLY OIL PUMP	
7	525 31 84-01	1	DUST SEAL OIL PUMP	
8	530 03 78-20	1	GEAR WORM	
11	545 22 75-01	1	OIL BLOCK	
12	530 04 94-77	1	ELBOW FITTING	
13	545 06 95-01	1	PICK UP ASSEMBLY OIL TANK	
14	545 06 94-01	1	PICKUP SEAL	13
15	530 05 65-33	1	SPRING, FILTER	13
16	545 22 71-01	2	SCP#619 X .437 PL. PAN.	

www.emc-motoculture.com

**D** 235, 235e, 236, 236e, 240, 240e  
COVER





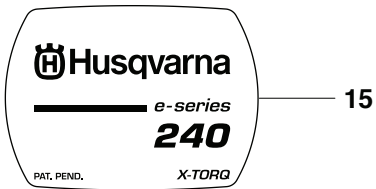
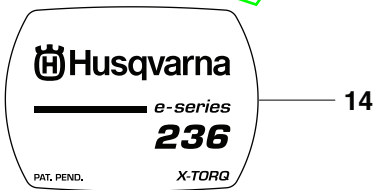
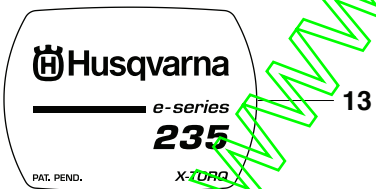
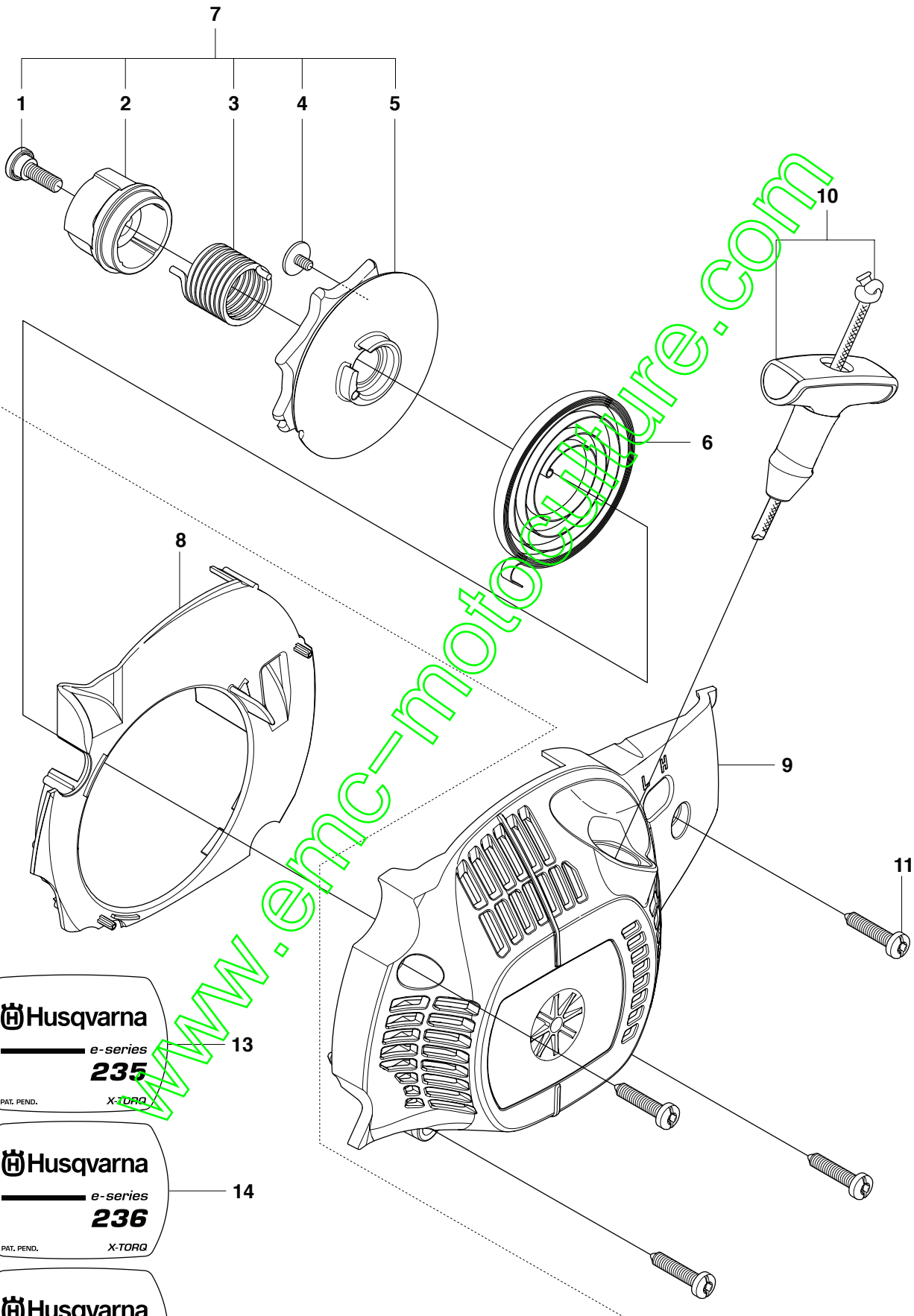
Page D 236/236e COVER  
235/235e  
240/240e

Position	Article	Quantity	Description	Kit
1	576 54 32-01	1	KIT CYLINDER SHIELD	
2	574 32 06-01	3	SCREW, CYLINDER SHIELD	1
3	545 11 65-02	1	DECAL, STARTING INSTRUCTION	1
4	545 16 59-57	1	GLOBAL WARNING DECAL	1

[www.emc-motoculture.com](http://www.emc-motoculture.com)

**E1** 235e, 236e, 240e  
EPS STARTER

12

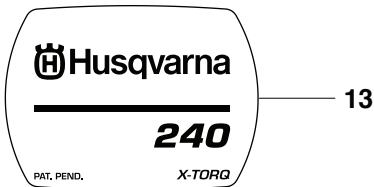
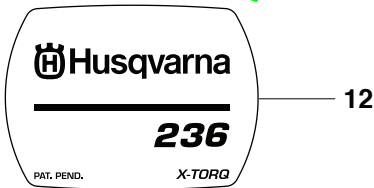
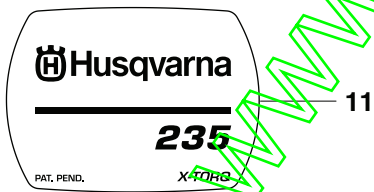
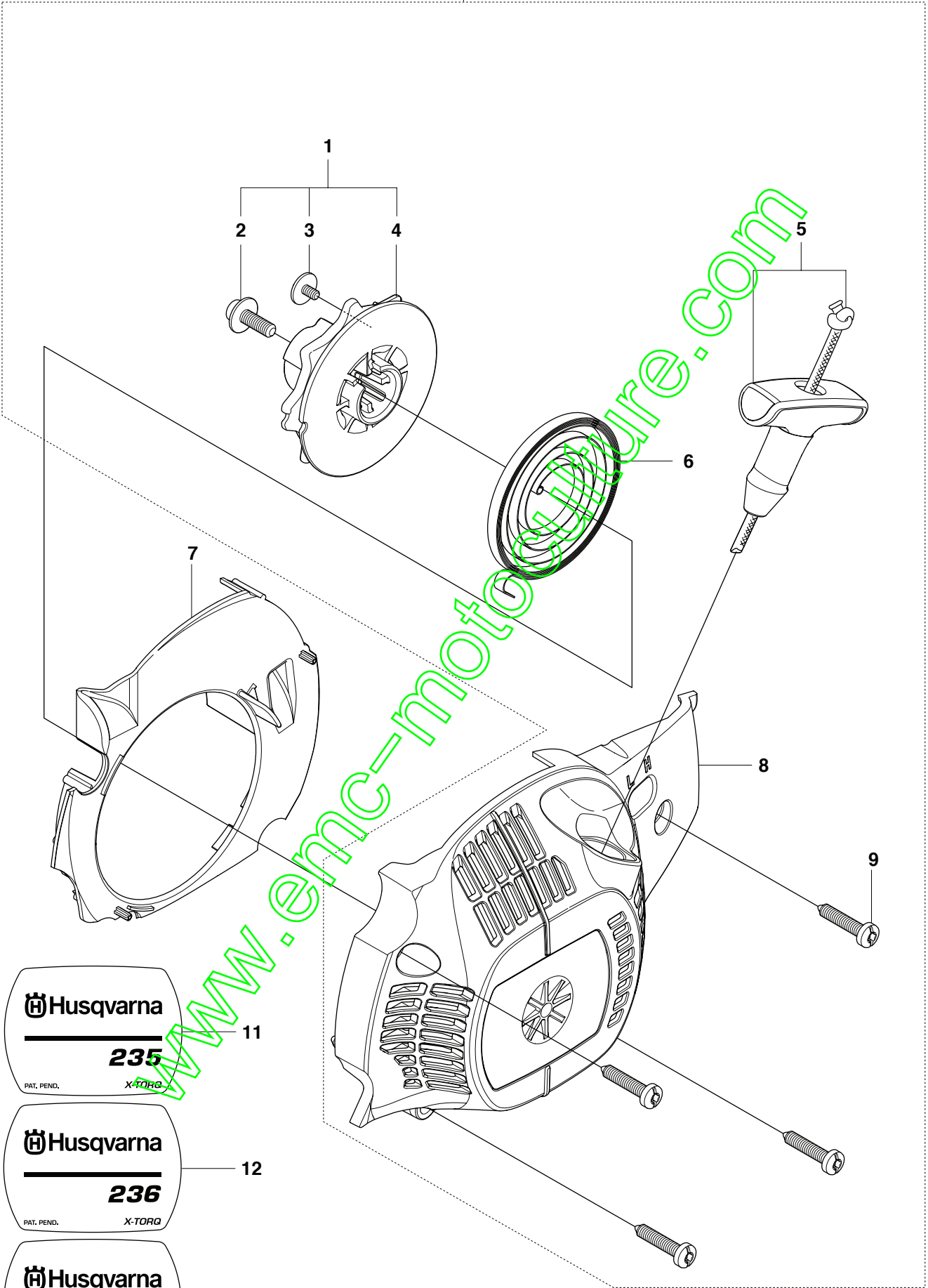


Position	Article	Quantity	Description	Kit
1	530 02 11-79	1	SCREW SHOULDER	7,12
2	530 05 96-77	1	STARTER HUB EPS	7,12
3	530 02 11-80	1	SPRING EPS	7,12
4	530 01 60-80	1	SCREW, ROPE RETAINER	7,12
5	545 05 82-01	1	PULLEY STARTER EPS	7,12
6	530 04 20-95	1	SPRING RECOIL	12
7	530 07 19-66	1	KIT, EPS STARTER 235e/236e/240e	12
8	545 06 38-01	1	BAFFLE	
9	545 06 37-01	1	FAN HOUSING	12
10	545 01 00-10	1	HANDLE & ROPE assy	12
11	530 01 64-32	4	SCREW, FAN HOUSING	12
12	545 00 80-24	1	KIT, COMPLETE EPS 235e/236e/240e	
13	545 11 85-02	1	DECAL 235e	
14	575 72 97-01	1	DECAL 236e	
15	545 11 85-01	1	DECAL 240e	

www.emc-motoculture.com

**E2** 235, 236, 240  
STANDARD STARTER

10

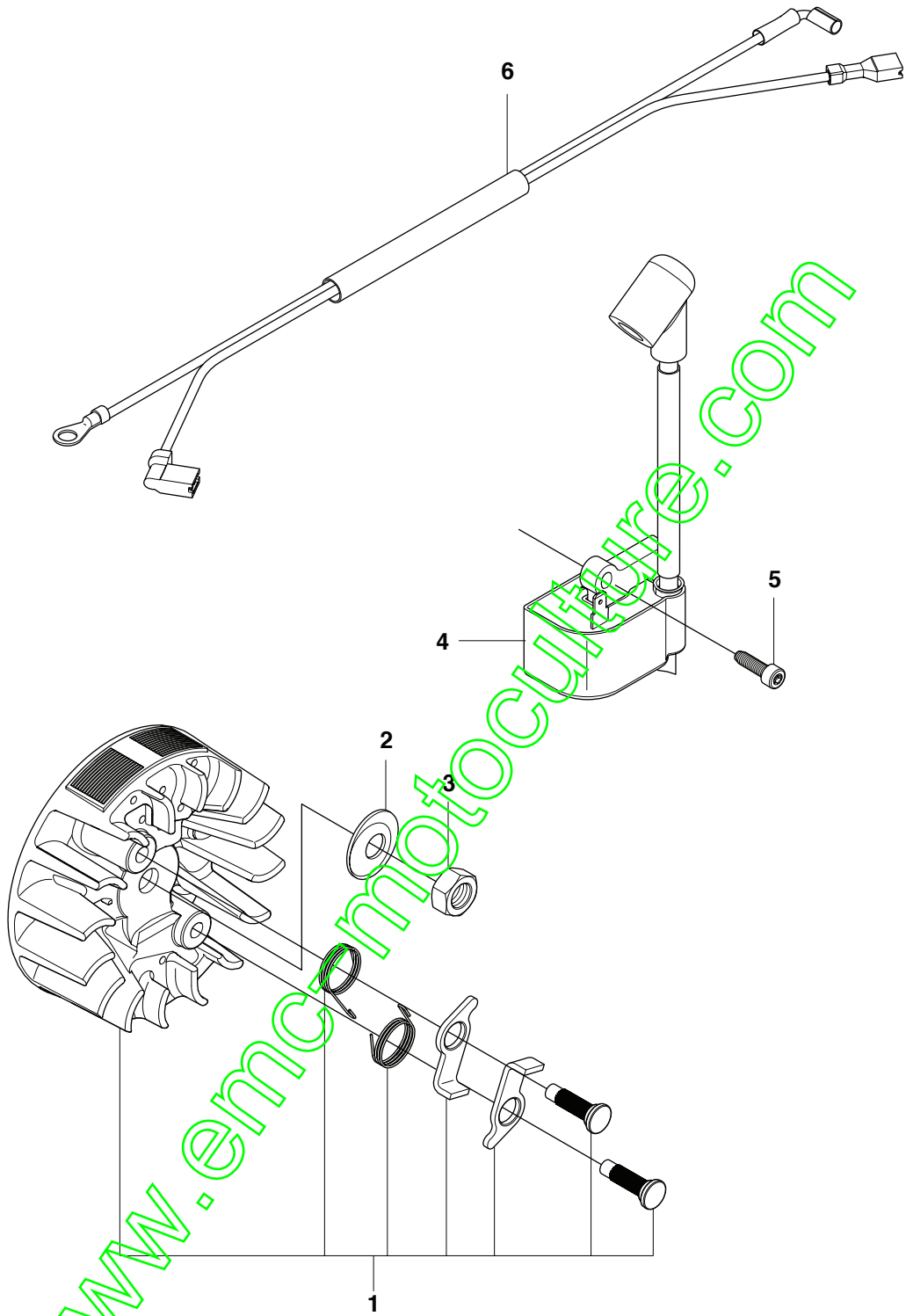


STANDARD STARTER

Position	Article	Quantity	Description	Kit
1	545 00 80-28	1	KIT, STD STARTER 235, 236, 240	
2	530 01 59-20	1	SCREW SHOULDER	1,10
3	530 01 60-80	1	SCREW, ROPE RETAINER	1,10
4	530 05 78-90	1	PULLEY STARTER STANDARD	1,10
5	545 01 00-10	1	HANDLE & ROPE ASSY	10
6	530 04 20-95	1	SPRING RECOIL	10
7	545 06 38-01	1	BAFFLE	
8	545 06 37-01	1	FAN HOUSING	10
9	530 01 64-32	4	SCREW, FAN HOUSING	10
10	545 00 80-25	1	KIT COMPLETE 235, 236, 240	
11	545 11 85-03	1	DECAL 235	
12	575 73 03-01	1	DECAL 236	
13	545 16 59-47	1	DECAL 240	

www.emc-motoculture.com

**F** 235, 235e, 236, 236e, 240, 240e  
IGNITION SYSTEM



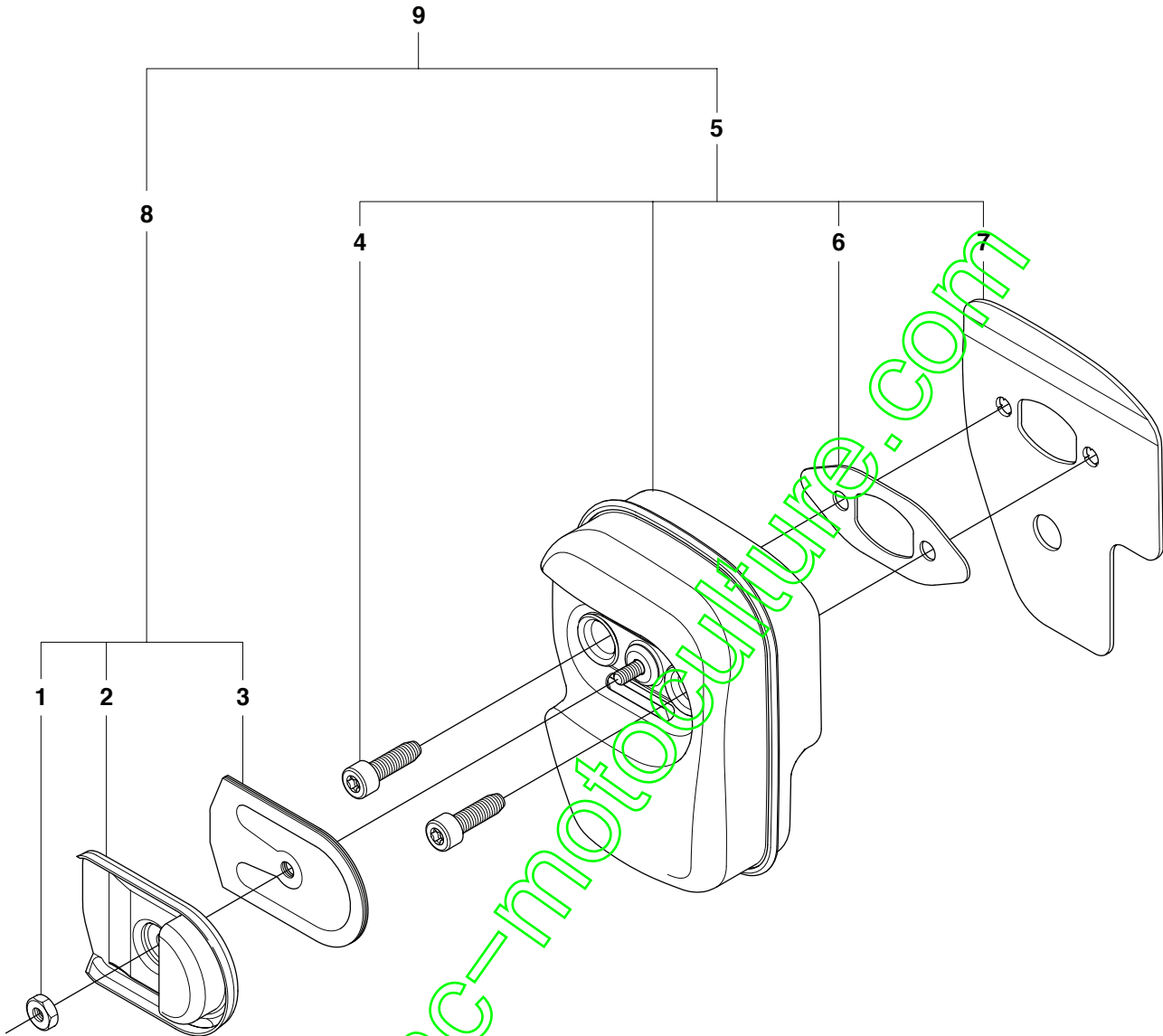
IGNITION SYSTEM

Position	Article	Quantity	Description	Kit
1	530 03 91-47	1	FLYWHEEL ASSY	
2	530 01 51-27	1	WASHER, FLYWHEEL	
3	530 01 61-34	1	NUT, FLYWHEEL	
4	545 19 99-01	1	MODULE IGNITION	
5	545 12 19-01	2	SCREW, IGN MODULE	
6	545 07 99-01	1	ASSY WIRE HARNESS	

[www.emc-motoculture.com](http://www.emc-motoculture.com)



235, 235e, 236, 236e, 240, 240e  
MUFFLER



[www.emc-motoculture.com](http://www.emc-motoculture.com)

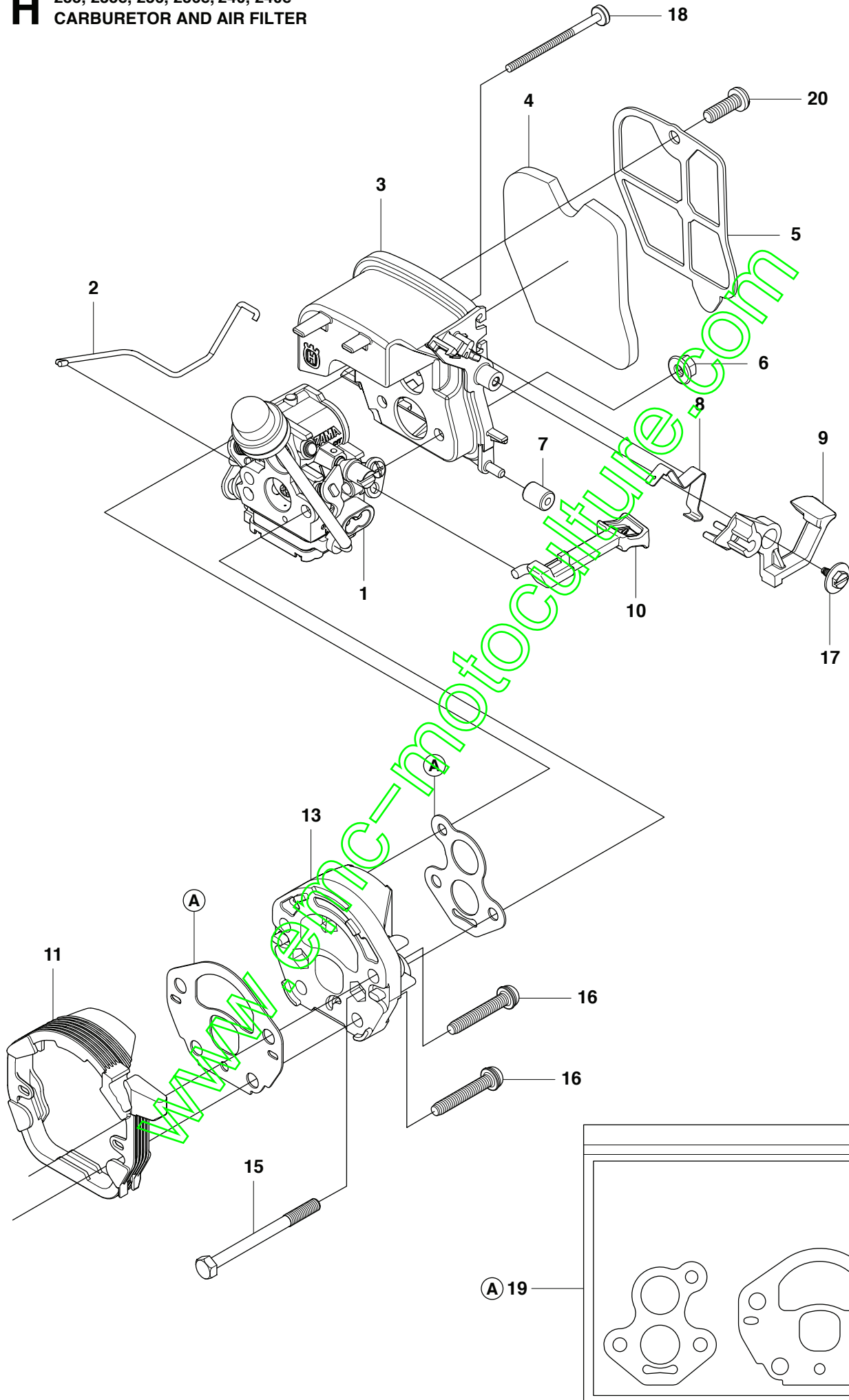


Page G 235/235e  
236/236e  
240/240e

MUFFLER

Position	Article	Quantity	Description	Kit
1	574 26 64-01	1	NUT, #1024 BRASS (10 mm)	8,9
2	545 07 69-01	1	EXHAUST PLATE	8,9
3	545 16 74-01	1	SCREENARRESTOR, GASKET	8,9
4	530 01 63-38	2	MUFFLER BOLT	5,9
5	545 03 27-01	1	MUFFLER ASSEMBLY	9
6	530 05 48-84	1	MUFFLER GASKET	5,9
7	545 06 69-01	1	MUFFLER BACK PLATE	5,9
8	545 00 80-27	1	KIT SPART ARRESTOR	9
9	545 18 08-43	1	KIT MUFFLER COMPLETE	

www.emc-motoculture.com

**H****235, 235e, 236, 236e, 240, 240e  
CARBURETOR AND AIR FILTER**

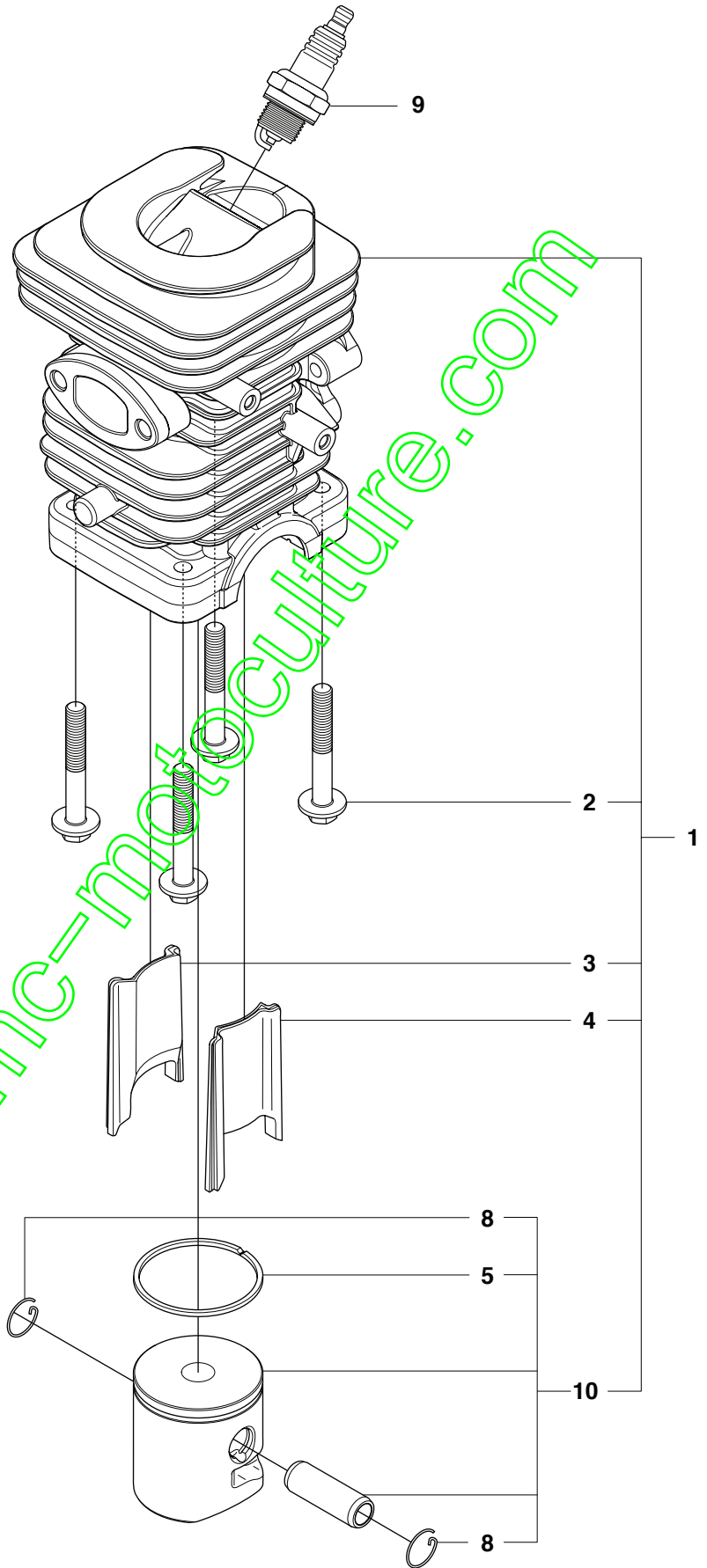
**CARBURETOR AND AIR FILTER**

Position	Article	Quantity	Description	Kit
1	574 71 94-02	1	CARBURETOR (ZAMA) REF.	
2	545 06 28-01	1	THROTTLE WIRE	
3	545 06 21-01	1	FILTER HOUSING	
4	545 06 18-01	1	AIR FILTER	
5	545 15 18-01	1	FILTER PLATE	
6	530 01 61-01	2	NUT, CARB	
7	545 06 19-01	1	ISOLATOR FILTER HOUSING	
8	545 06 34-01	1	SWITCH, SPRING	
9	545 06 17-01	1	SWITCH LEVER	
10	545 06 16-01	1	CHOKE KNOB	
11	545 06 15-01	1	CARB ADAPTOR SEAL	
13	545 16 98-01	1	CARB ADAPTOR	
15	545 03 37-01	2	STUDCARBURETOR	
16	545 15 83-01	4	CARB ADAPTOR SCREW	
17	530 01 60-80	1	SCREW SWITCH	
18	545 07 49-01	1	TOP STUDCARBURETOR	
19	545 08 18-92	1	GASKET KIT	
20	530 01 63-49	1	SCREW, FILTER PLATE	

www.emc-motorsport.com

**J1**

235, 235e  
CYLINDER PISTON 34cc

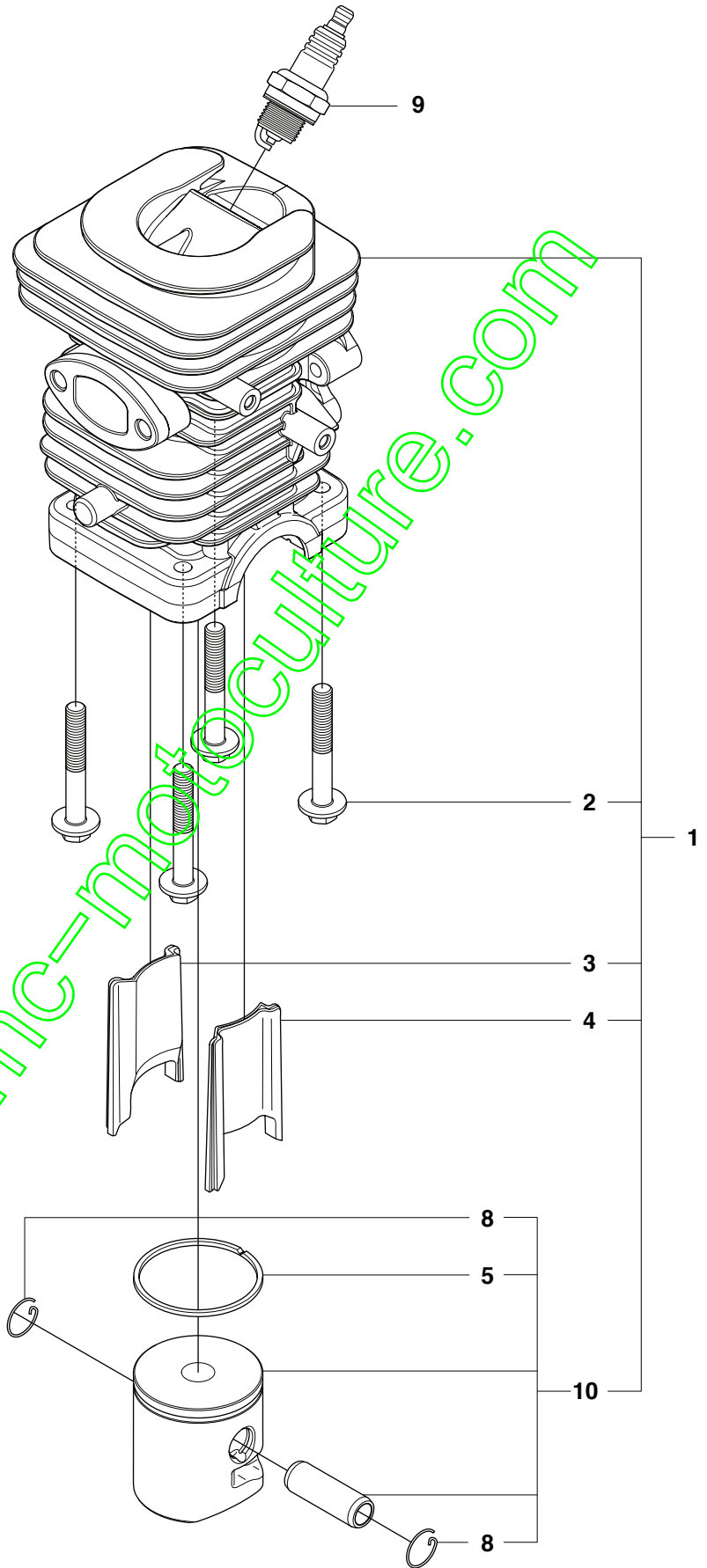


Position	Article	Quantity	Description	Kit
1	545 05 04-18	1	KIT, CYLINDER & PISTON	
2	545 08 15-01	4	BOLT, CYLINDER	
3	545 10 15-01	1	TRANSFER INSERT LEFT 34c	
4	545 10 14-01	1	TRANSFER INSERT RIGHT 34cc	
5	545 10 17-01	1	PISTON RING	10
8	530 01 56-97	2	PISTON PIN RETAINER	10
9	503 23 51-08	1	PLUGSPARK (RCJ7Y)	
10	545 08 18-93	1	KIT PISTON 34cc 235/235e	

[www.emc-motoculture.com](http://www.emc-motoculture.com)

**J2**

236, 236e, 240, 240e  
CYLINDER PISTON 38CC

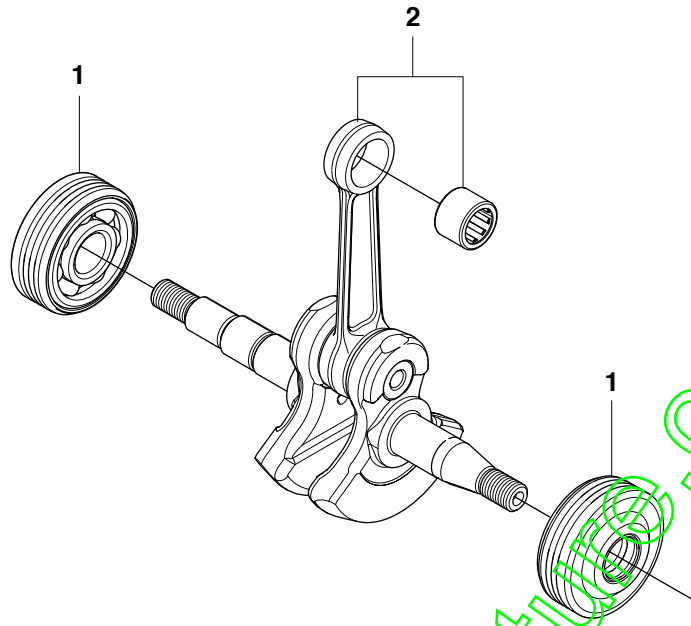


CYLINDER PISTON 38CC

Position	Article	Quantity	Description	Kit
1	545 05 04-17	1	KIT, CYLINDER & PISTON	
2	545 08 15-01	4	BOLT, CYLINDER	
3	574 19 09-01	1	INSERT, TRANSFER LEFT	
4	574 19 08-01	1	INSERT, TRANSFER RIGHT	
5	530 01 26-08	1	PISTON RING	10
8	530 01 56-97	2	PISTON PIN RETAINER	10
9	503 23 51-08	1	PLUGSPARK (RCJ7Y)	
10	545 08 18-94	1	KIT 38cc PISTON	

[www.emc-motoculture.com](http://www.emc-motoculture.com)

**K** 235, 235e, 236, 236e, 240, 240e  
CRANKSHAFT



[www.emc-motoculturas.com](http://www.emc-motoculturas.com)



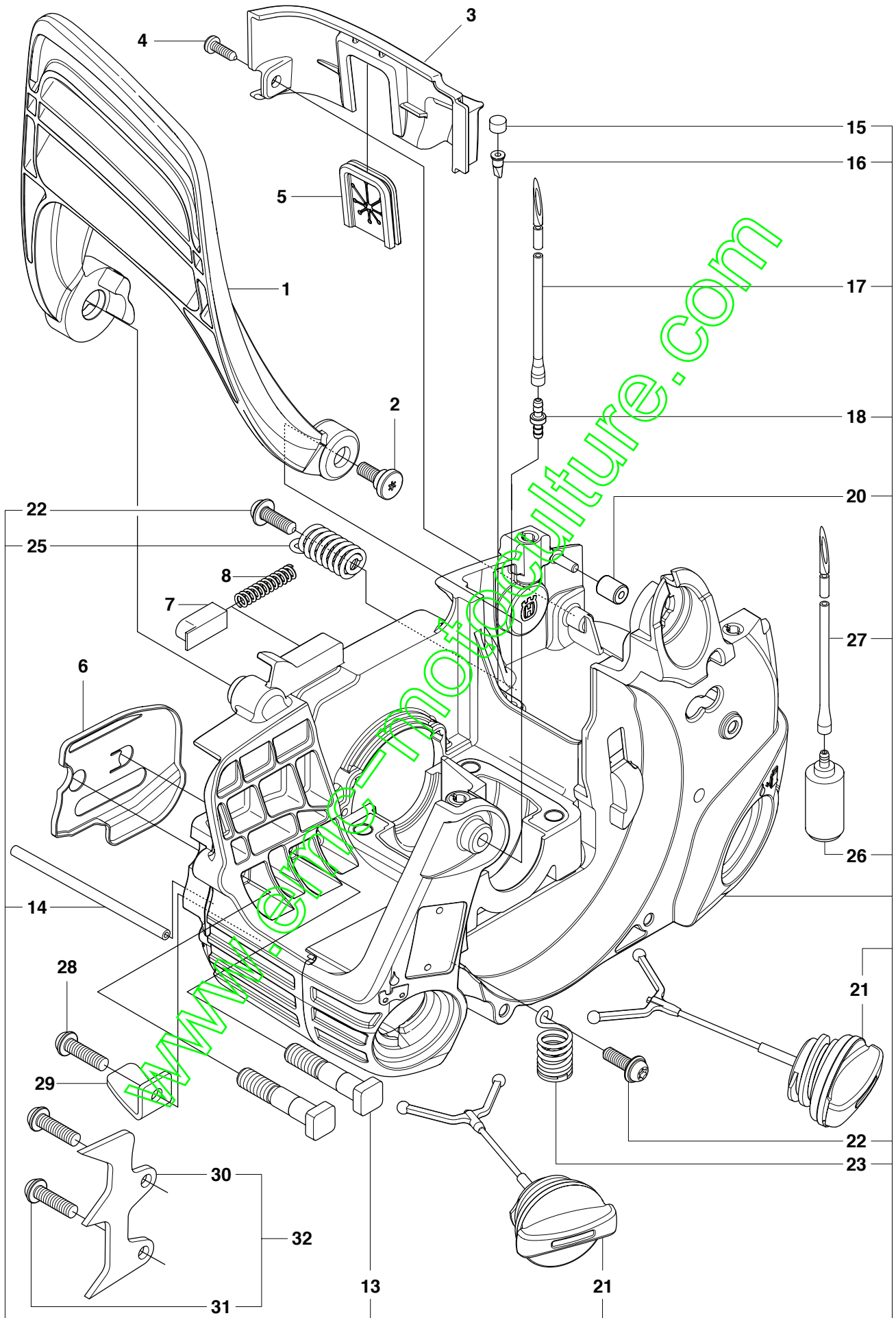
Page K 235/235e CRANKSHAFT  
236/236e  
240/240e

Position	Article	Quantity	Description	Kit
1	576 24 39-01	2	ASSY MAIN BEARING & SEAL	
2	574 44 94-01	1	ASSEMBLY CRANKSHAFT	

[www.emc-motoculture.com](http://www.emc-motoculture.com)



235, 235e, 236, 236e, 240, 240e  
CHASSIS & HAND GUARD

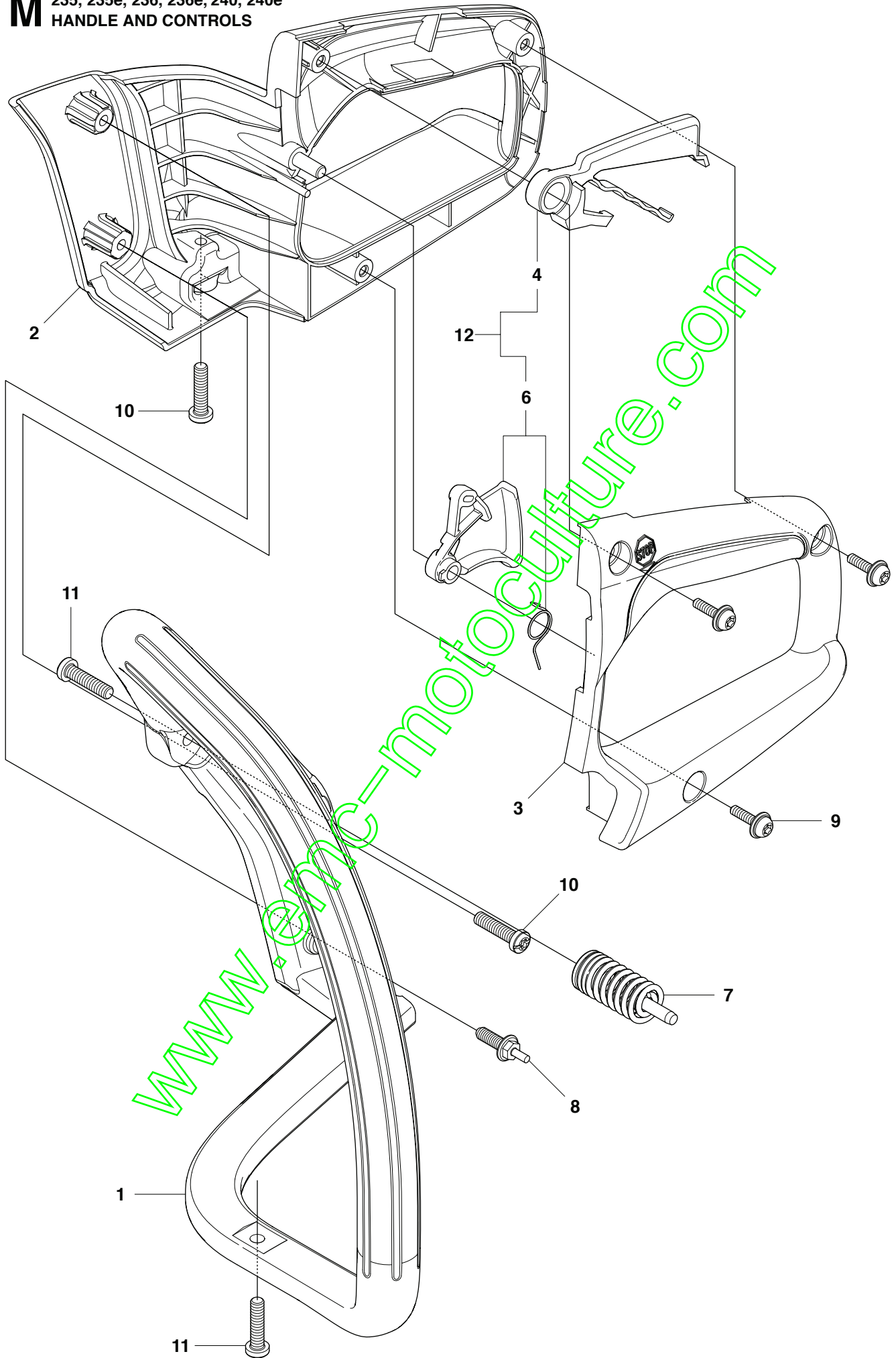


CHASSIS & HAND GUARD

Position	Article	Quantity	Description	Kit
1	574 38 33-01	1	HAND GUARD	
2	545 12 73-01	1	BOSS SCREW, HAND GUARD	
3	545 06 12-01	1	REAR WALL	
4	545 22 71-01	1	SCREW, MTG REAR WALL	
5	545 07 54-01	1	GROMMET, REAR WALL	
6	545 07 14-01	1	PLATE BAR MOUNTING	
7	545 07 13-01	1	CAP, SPRING HAND GUARD	
8	545 07 12-01	1	SPRING, HAND GUARD POSITION	
11	545 23 00-01	1	CHASSIS ASSEMBLY	
13	529 31 03-01	2	BOLT, BAR	11
14	545 03 35-01	1	ASSY, VENT LINE	11
15	530 02 98-68	1	PLUG VENT (BRONZE)	11
16	530 02 61-19	1	CHECK VALVE (DUCK BILL)	11
17	530 02 11-32	1	LINER RETURN PURGE	11
18	530 02 38-77	1	FITTING FUEL LINE	11
20	545 06 19-01	1	ISOLATOR FILTER HOUSING	11
21	545 07 08-01	2	ASSY OIL/FUEL CAP W/RET.	11
22	530 01 59-06	2	SCREW M5.28X1.81X16MM PLAS	11
23	545 03 38-01	1	ASSY FRONT ISOLATOR	11
25	545 06 31-01	1	REAR ISOLATOR SPRING	11
26	530 09 56-46	1	ASSY PICKUP	11
27	545 07 83-02	1	LINE, FUEL	11
28	530 01 58-14	1	SCREW CATCHER	
29	530 02 98-50	2	HAIN CATCHER	
30	530 03 89-90	1	SPIKE	32
31	530 01 64-39	2	SCREW SPIKE	32
32	530 01 43-81	1	KIT SPIKE	

www.ericniture.com

**M** 235, 235e, 236, 236e, 240, 240e  
HANDLE AND CONTROLS

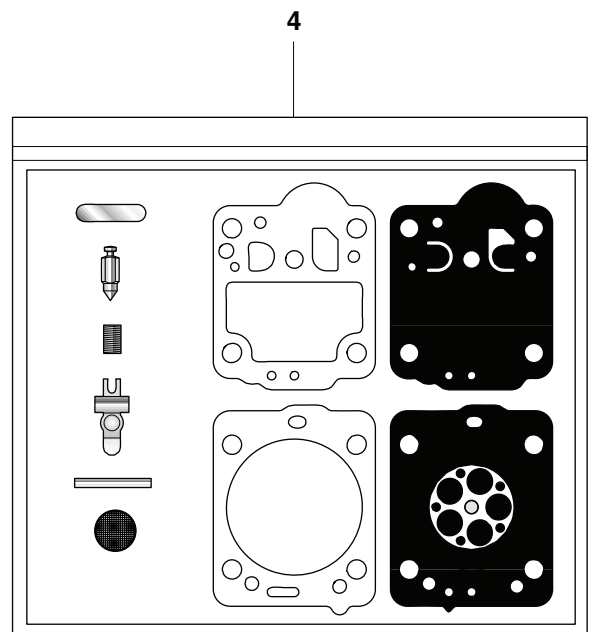
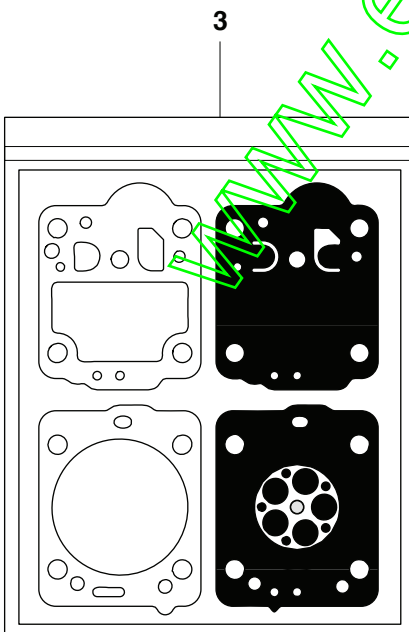
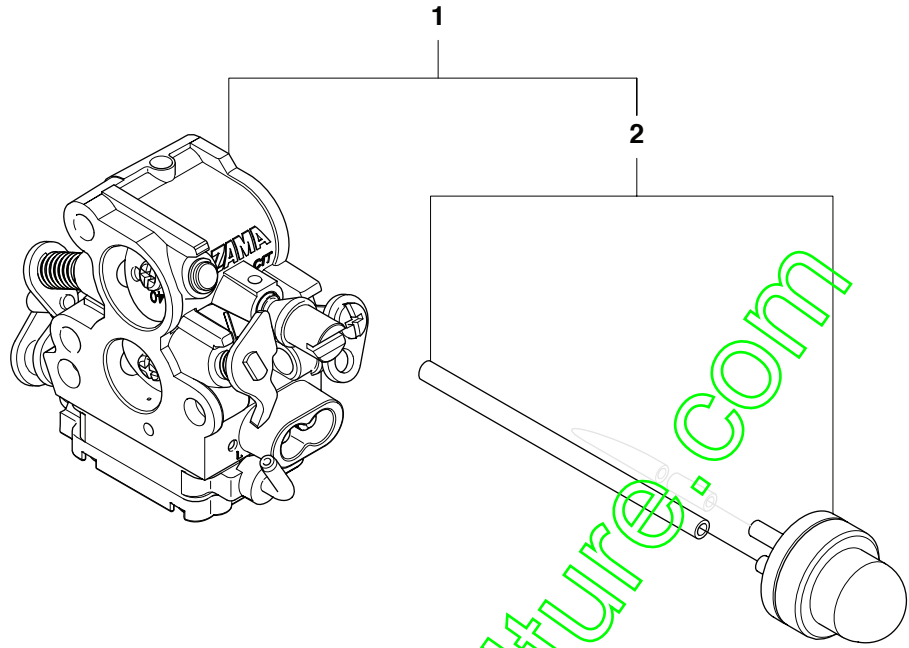


**HANDLE AND CONTROLS**

Position	Article	Quantity	Description	Kit
1	545 06 24-01	1	FRONT HANDLE	
2	545 06 22-02	1	REAR HANDLE W/OVMLD 240e	
2	545 06 22-01	1	REAR HANDLE 235/235e/236/236e	
3	545 06 23-02	1	REAR HANDLE COVER W/OVMLD 240e	
3	545 06 23-01	1	REAR HANDLE COVER 235/235e/236/236e	
4	545 06 26-01	1	LOCKOUT THROTTLE	12
6	545 12 15-01	1	ASSY TRIGGER & SPRING	12
7	545 03 39-01	1	ASS'Y FRONT ISOLATOR	
8	545 07 63-01	1	ISOLATION LIMITER SCREW	
9	530 01 64-33	3	SCREW 816X15.1 PL PAN TRX	
10	530 01 63-49	2	SCREW M5.28X1.81X16MM PLAS	
11	530 01 64-32	2	SREW M5.3814X22.225MM	
12	545 08 10-13	1	KIT TRIGGER & LOCKOUT	

www.emc-motoculture.com

**N** 235, 235e, 236, 236e, 240, 240e  
CARBURETOR DETAILS



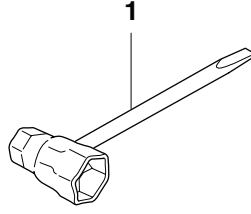
Page N 235/235e  
236/236e  
240/240e

**CARBURETOR DETAILS**

Position	Article	Quantity	Description	Kit
1	574 71 94-02	1	CARB COMPLETE	
2	545 00 80-30	1	PURGE AND LINE ASSEMBLY	1
3	545 00 80-31	1	KIT CARB GASKET	
4	545 00 80-32	1	KIT CARB REPAIR	

[www.emc-motoculture.com](http://www.emc-motoculture.com)

**P** 235, 235e, 236, 236e, 240, 240e  
ACCESSORIES



[www.emc-motoculture.com](http://www.emc-motoculture.com)



Page P 235/235e ACCESSORIES  
236/236e  
240/240e

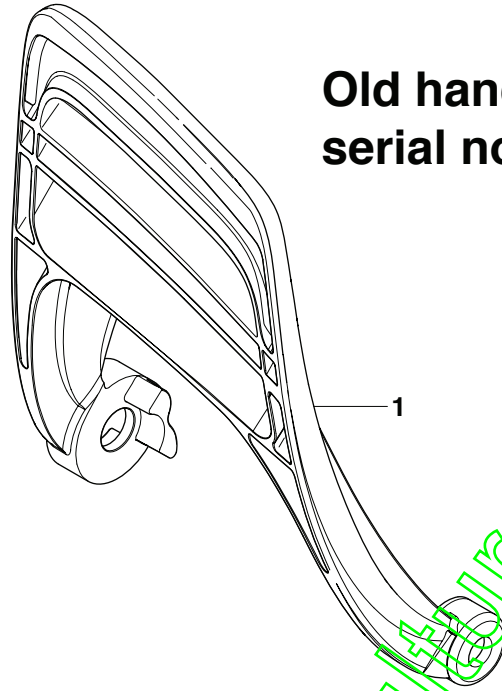
Position	Article	Quantity	Description	Kit
1	530 03 11-35	1	WRENCH	

[www.emc-motoculture.com](http://www.emc-motoculture.com)

**Q** 235, 235e, 236, 236e, 240, 240e  
SERVICE UPDATE



**Old hand guard up to  
serial no. 20093899999**



[www.emc-motoculture.com](http://www.emc-motoculture.com)

Page Q 235/235e      SERVICE UPDATE  
236/236e  
240/240e

Position	Article	Quantity	Description	Kit
1	545 06 67-01	1	HAND GUARD	

[www.emc-motoculture.com](http://www.emc-motoculture.com)