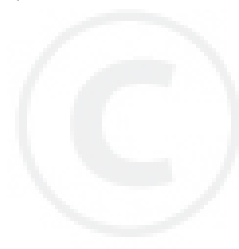
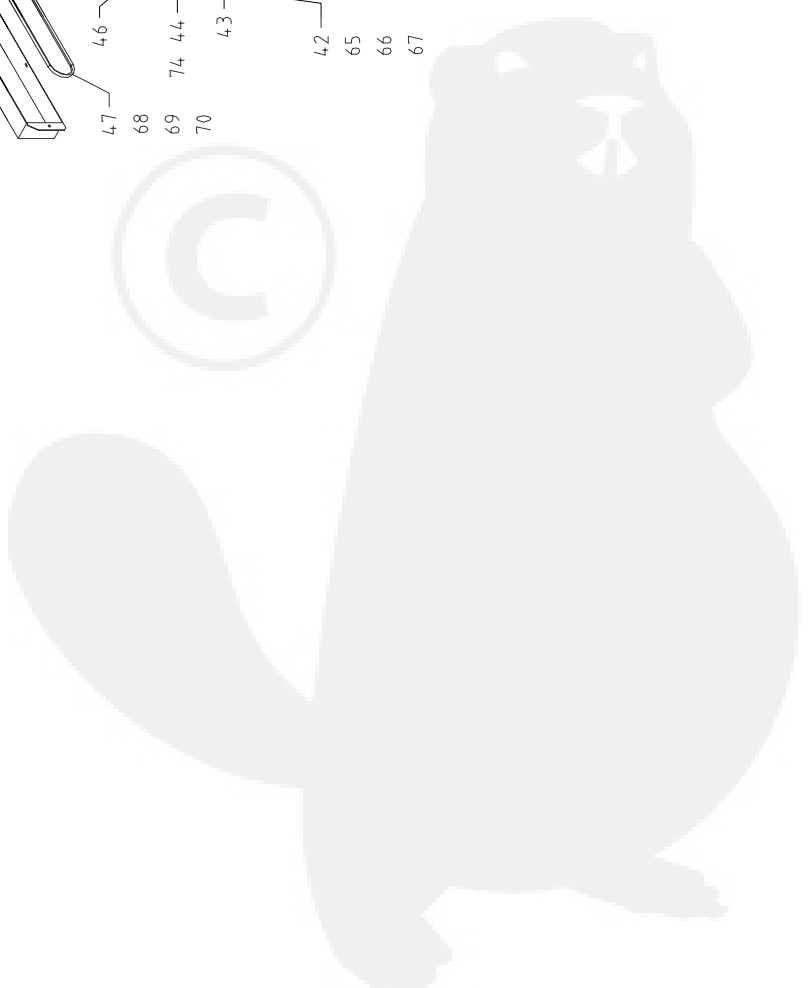
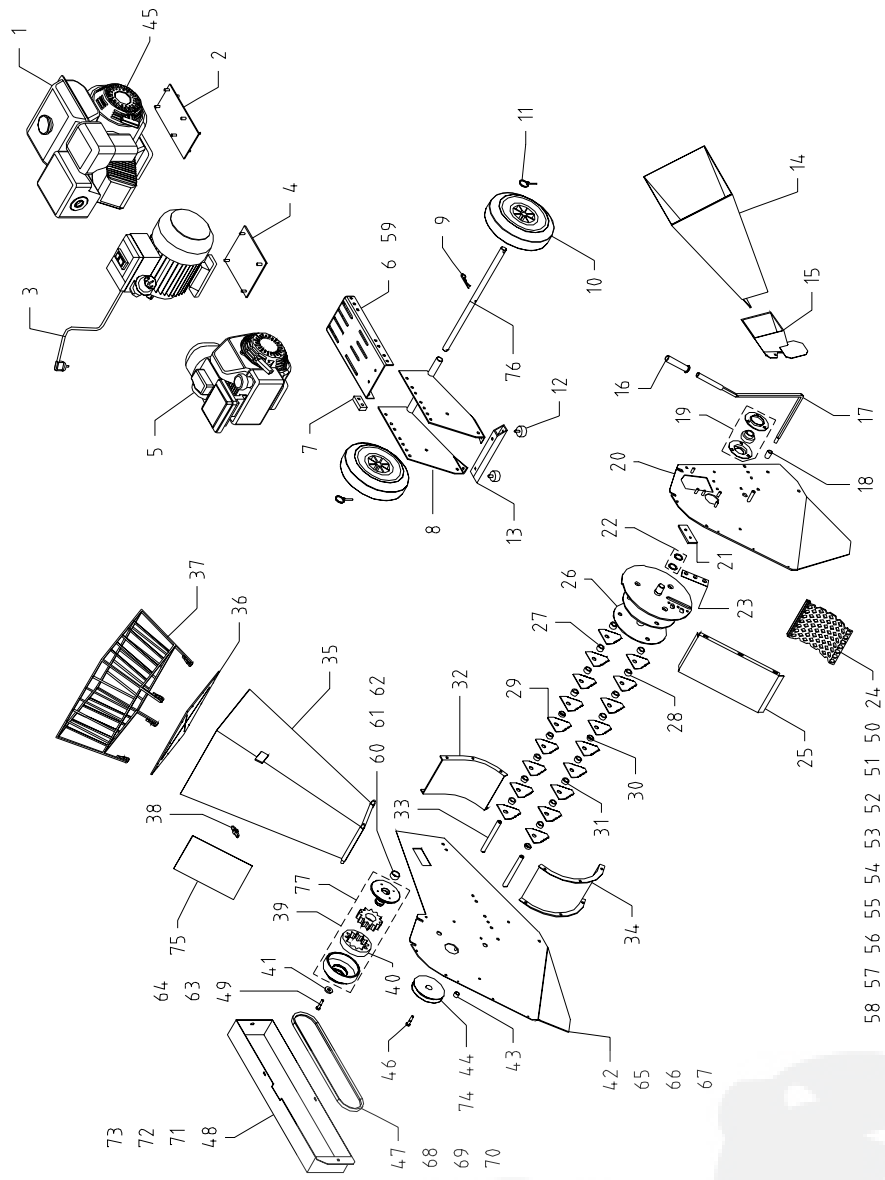


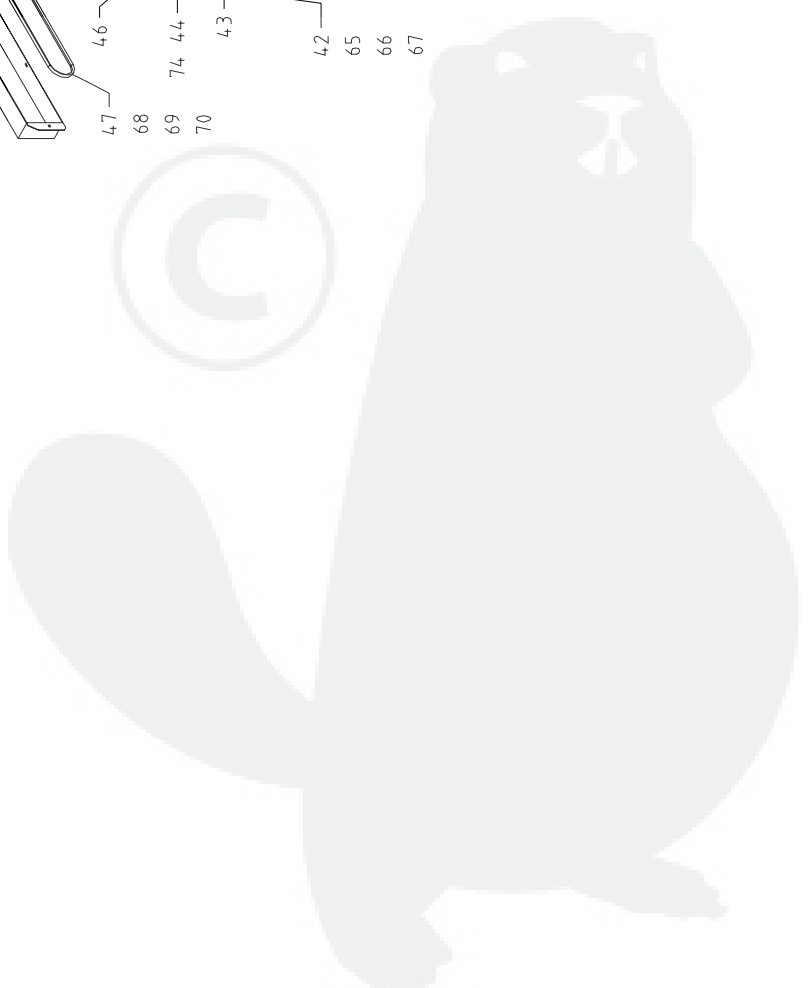
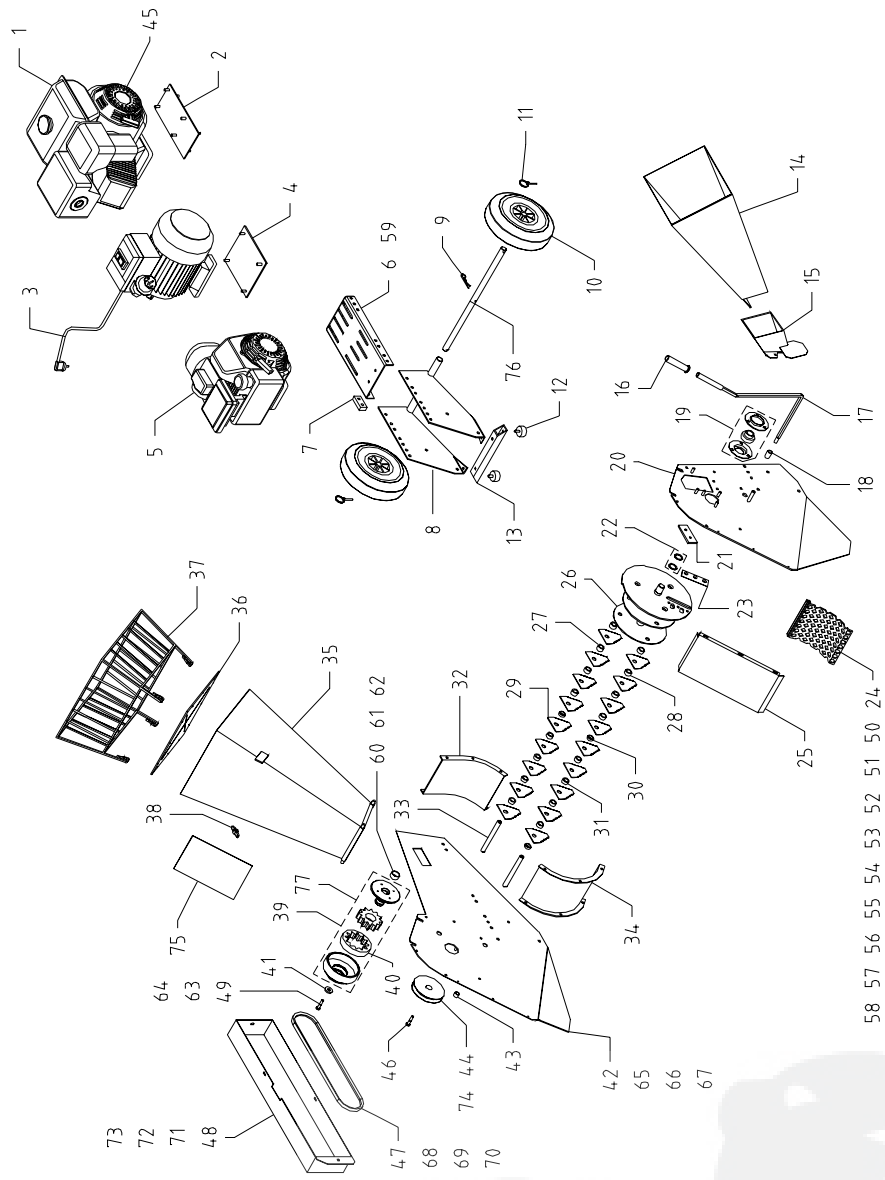
SPARE PARTS BIO 80 B / E



SPARE PARTS BIO 80 B / E

Pos.	Description	Q.ty	Code
1	Engine HP 9 (GX)	1	014100002
2	Adapter plate (GX)	1	081007060
3	Electric motor	1	015300000
4	Adapter plate (E)	1	081007061
5	Engine HP 5.5 (GC)	1	014100000
6	Motor support	1	080002000
7	Spacer 15 F2	1	081002020
8	Frame / axle	1	081001010
9	Pin R 2.5	1	530005501
10	Wheel 260x85	2	014700000
11	Pin	2	530005500
12	Rubber feet	2	013900000
13	Foot support	1	081001011
14	Chipper mouthpiece	1	080004050
15	Chipper mouthpiece support	1	081008010
16	Hand grip ϕ 16	1	540001600
17	Sieve lever	1	080005000
18	Spacer L = 27	1	080005010
19	Bearing SBPF 205	2	550002125
20	Chipper frame	1	080007011
21	Counterblade	1	013000060
22	Spacer PS ϕ 25	X	080009060
23	Chipper blade	1	013300800
24	Sieve ϕ 25	1	080005020
25	Front covering	1	080007102
26	Rotor	1	080007040
27	Spacer H = 14	4	080007090
28	Spacer H = 12.5	8	080007070
29	Blade TR 3	27	070007060
30	Spacer H = 7	2	080007100
31	Spacer H = 11.5	12	080007080
32	Lower bottom	1	080007202
33	Rotor pin	3	080007050
34	Upper bottom	1	080007101
35	Hopper B 180	1	081006000
36	Hopper rubber 328x328	1	080003001
37	Hopper protection	1	080006011
38	Ball hand grip 6 E M 8	1	540006800
39	Centrifugal clutch ϕ 122 $\frac{3}{4}$	1	013800034

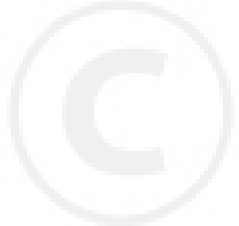
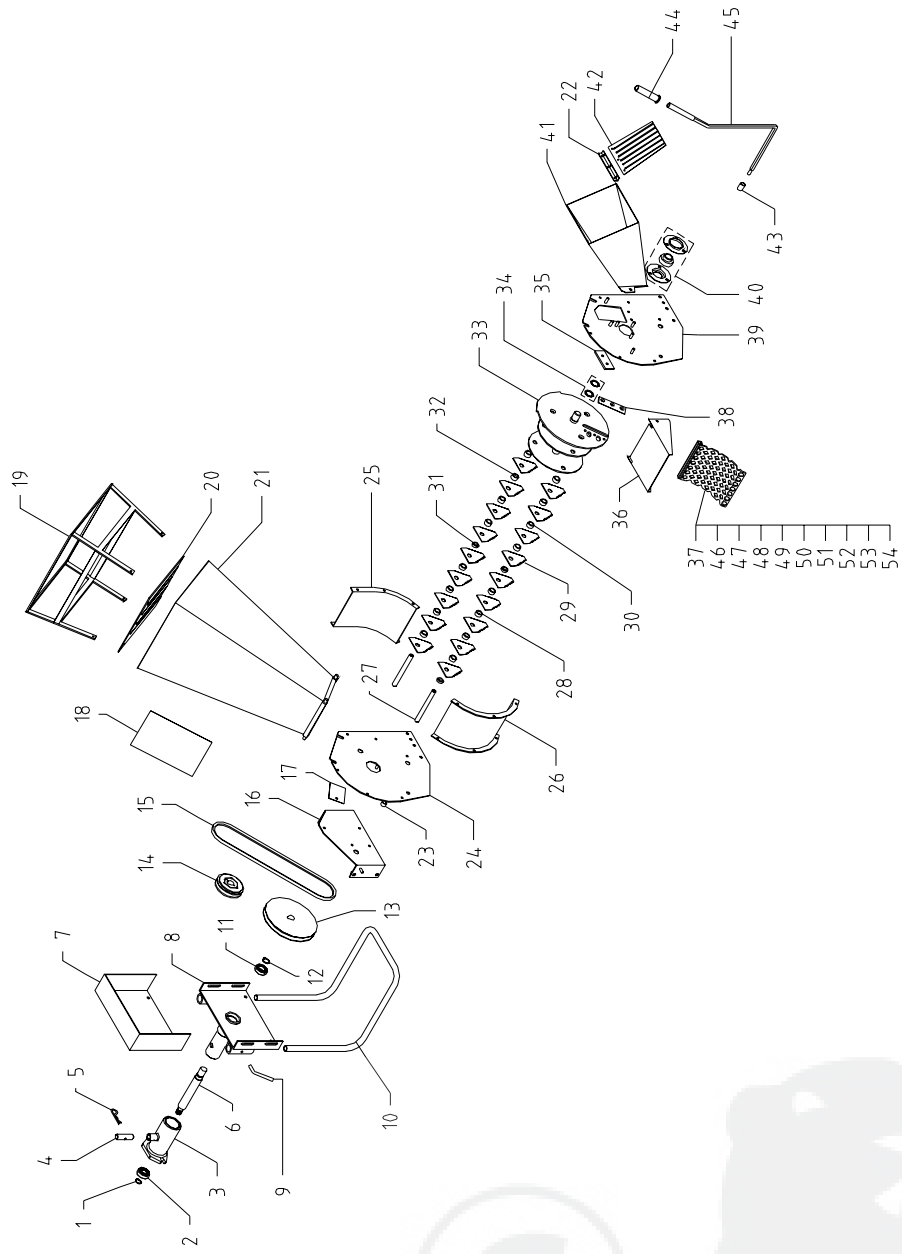
SPARE PARTS BIO 80 B / E



SPARE PARTS BIO 80 B / E

Pos.	Description	Q.ty	Code
40	Centrifugal rubber ϕ 122	1	013800010
41	Retainer washer	1	510000843
42	Electric frame	1	081007040
43	Spacer L = 13	1	080005019
44	Pulley 1A 140 (GX)	1	080007200
45	Engine HP 8	1	016300000
46	Screw TE M 10x20	1	500020010
47	Belt A-49 (E)	1	620030037
48	Belt guard casing (E)	1	081009010
49	Screw TE 5/16" UNF (GC)	1	505160114
50	Sieve ϕ 8*	1	080005011
51	Sieve ϕ 10*	1	080005012
52	Sieve ϕ 12*	1	080005014
53	Sieve ϕ 15*	1	080005016
54	Sieve ϕ 20*	1	080005018
55	Sieve ϕ 30*	1	080005022
56	Sieve ϕ 35*	1	080005024
57	Sieve ϕ 40*	1	080005026
58	Sieve ϕ 50*	1	080005028
59	Motor support HP 9	1	080002002
60	Spacer $\frac{3}{4}$	1	001000340
61	Spacer 1"	1	010002540
62	Spacer ϕ 28	1	001000280
63	Screw TE 7/16" UNF (GX)	1	507160134
64	Screw TE M 8x30	1	500019508
65	Frame HP 5.5	1	081007020
66	Frame HP 8	1	081007030
67	Frame HP 9	1	081007045
68	Belt HP 5.5	1	620030043
69	Belt HP 8	1	014900006
70	Belt HP 9	1	014900006
71	Belt guard casing HP 5.5	1	081009030
72	Belt guard casing HP 8	1	081009020
73	Belt guard casing HP 9	1	081007045
74	Pulley 1A 120 (E)	1	080007220
75	Adhesive group	1	070001800
76	Axle ϕ 20	1	080001000
77	Centrifuga clutch ϕ 122 1"	1	013800000

SPARE PARTS BIO 80 MTC



SPARE PARTS BIO 80 MTC

Pos.	Description	Q.ty	Code
1	Seeger ring E-20	1	510011000
2	Bearing 6204 2RS	1	540002000
3	Support AR	1	080010302
4	Gudgeon pin	1	010202000
5	Pin R	1	530001000
6	Shaft	1	010203000
7	Belt cover casing	1	080010400
8	MTC Support	1	080010300
9	Lock pin M8	2	080010200
10	Machine support	1	010010101
11	Bearing 6205 2RS	1	540002001
12	Seeger ring E-25	1	510011001
13	Pulley 1A 200	1	080018000
14	Pulley 1A 100	1	080007300
15	Belt A-32	1	620008032
16	Support coupling plate	1	080010301
17	Galvanised cover plate	1	070003839
18	Adhesive group	1	031000000
19	Hopper protection	1	080006010
20	Hopper rubber	1	080003000
21	Hopper	1	080006000
22	Angle	1	080003011
23	Spacer L=13	1	080005019
24	Frame SX	1	080007020
25	Lower bottom	1	080007202
26	Upper bottom	1	080007101
27	Rotor pin	3	080007050
28	Spacer H=12,5	8	080007070
29	Blade TR3	27	070007060
30	Spacer H=11,5	12	080007080
31	Spacer H=7	5	080007100
32	Spacer H=14	4	080007090
33	Rotor	1	080007040
34	Spacer PS Ø 25	X	080009060
35	Counterblade	1	013000000
36	Deflector	1	080008000
37	Sieve Ø 25	1	080005020
38	Chipper blade	1	013300800
39	Chipper frame DX	1	080017010
40	Bearing SBPF 205	2	550002125
41	Chipper mouthpiece	1	080004000
42	Chipper mouthpiece protection rubber	1	080004001
43	Spacer L=27	1	080005010
44	Hand grip Ø 16	1	540001600
45	Sieve lever	1	080005000
46	Sieve Ø 8*	1	080005011
47	Sieve Ø 10*	1	080005012
48	Sieve Ø 12*	1	080005014
49	Sieve Ø 15*	1	080005016
50	Sieve Ø 25*	1	080005018
51	Sieve Ø 30*	1	080005022
52	Sieve Ø 35*	1	080005024
53	Sieve Ø 40*	1	080005026
54	Sieve Ø 50*	1	080005028

* Optional Item