

31G700

Illustrated Parts List

Model Series

31G700

TYPE NUMBERS

0026, 0026, 0026, 0140, 0175, 3026, 0036, 0036, 0036, 0101, 0101, 0105,
0105, 0111, 0112, 0112, 0113, 0114, 0115, 0116, 0117, 0118, 0119, 0120,
0120, 0121, 0121, 0123, 0125, 0125, 0126, 0126, 0127, 0127, 0128, 0128,
0130, 0130, 0131, 0131, 0132, 0132, 0133, 0133, 0134, 0135, 0136, 0138,
0139, 0142, 0143, 0144, 0146, 0147, 0148, 0149, 0150, 0151, 0153, 0154,
0155, 0156, 0156, 0157, 0158, 0159, 0160, 0161, 0162, 0165, 0166, 0167,
0167, 0168, 0169, 0171, 0171, 0172, 0174, 0176, 0181, 0191, 0192, 0193,
0194, 0196, 0199, 0200, 0200, 0201, 0201, 0203, 0204, 0205, 0205, 0234,
0235, 0235, 0235, 0238, 0238, 0238, 0238, 0253, 0258, 0263, 0290, 0290,
0292, 0292, 0293, 0293, 0294, 0294, 0297, 0297, 0297, 0299, 0299, 0300,
0302, 0303, 0304, 0305, 0305, 0306, 0306, 0424, 0559, 0559, 0720, 0806,
0806, 0814, 0814, 1191, 1413, 1440, 1583, 1597, 2143, 2144, 2146, 2424,
2440, 3036, 3304, 3304, 3413, 4127, 4130, 4133, 4302.

Not for
Reproduction



PRINTED IN U.S.A.

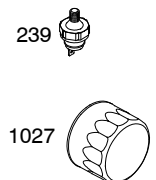
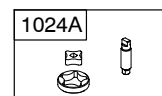
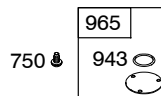
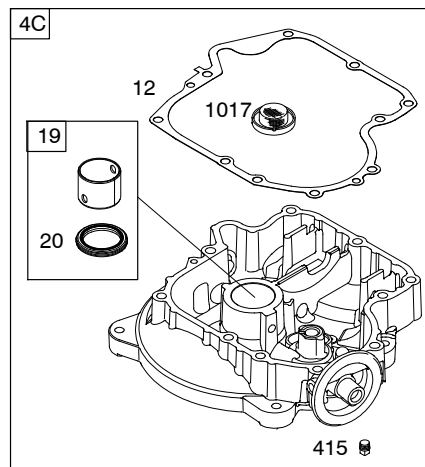
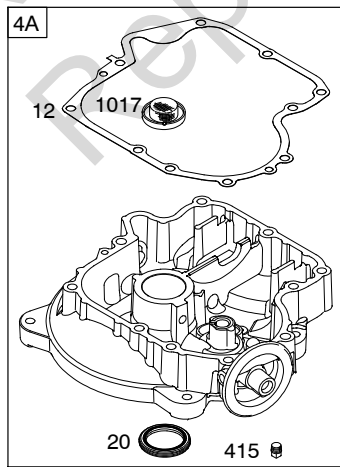
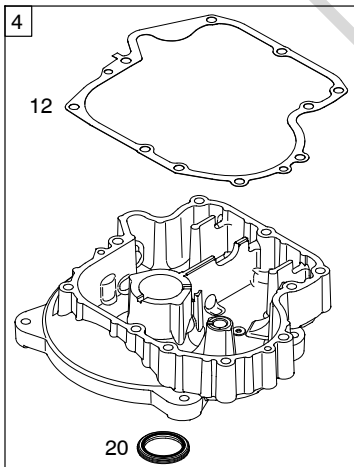
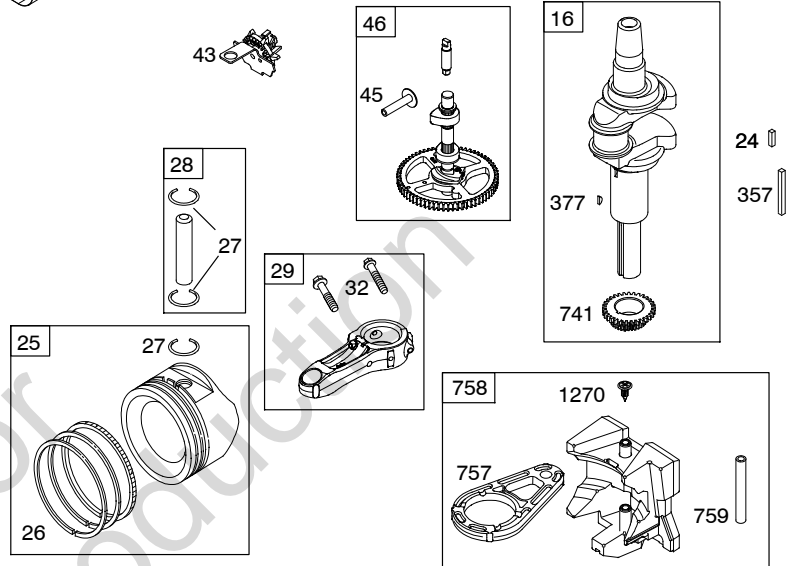
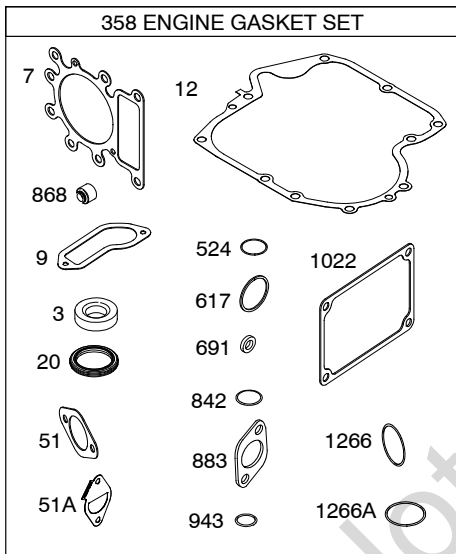
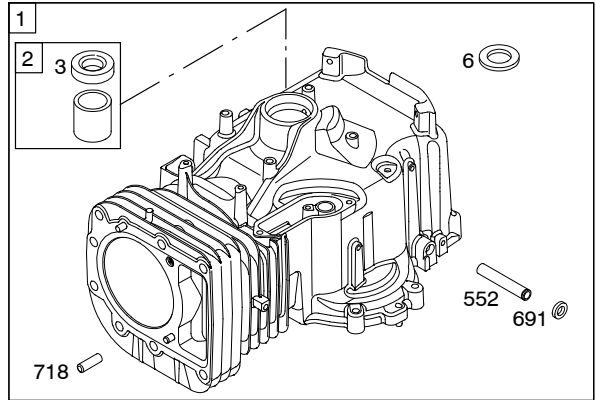
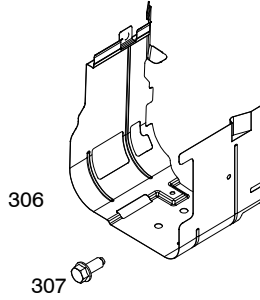
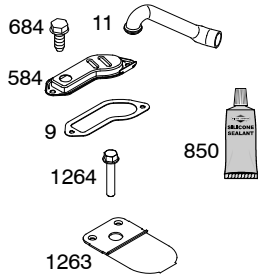
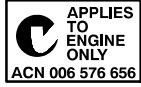
COPYRIGHT by BRIGGS & STRATTON CORPORATION
All rights reserved. No part of this material may be reproduced or transmitted,
in any form or by any means, electronic or mechanical, including photocopying,
recording or by any information storage and retrieval system, without permission
in writing from Briggs & Stratton Corporation.

31G700

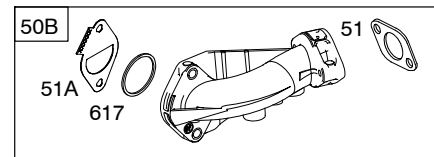
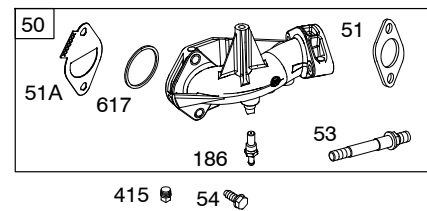
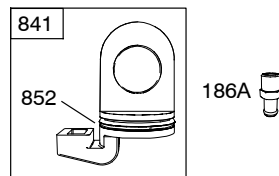
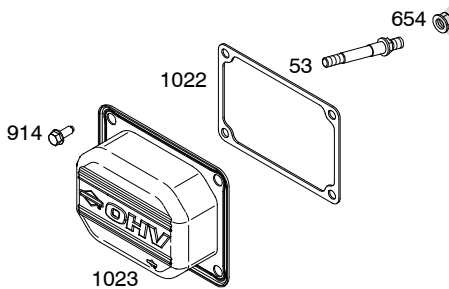
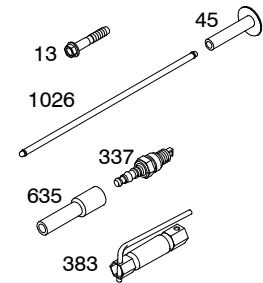
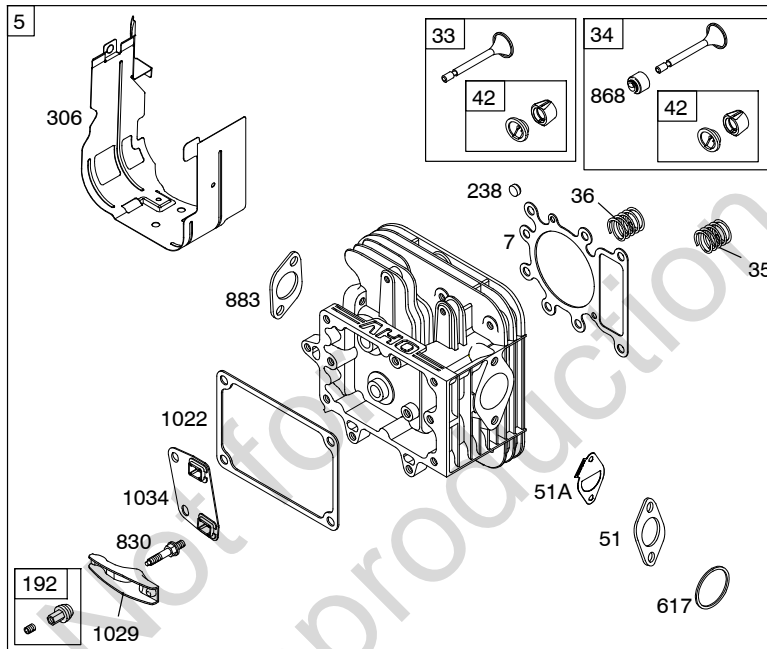
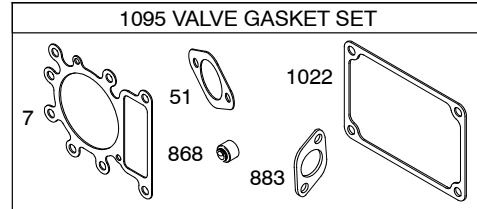
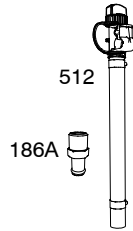
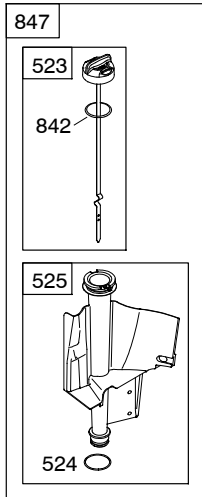
1036 EMISSIONS LABEL

1319 WARNING LABEL

1036A

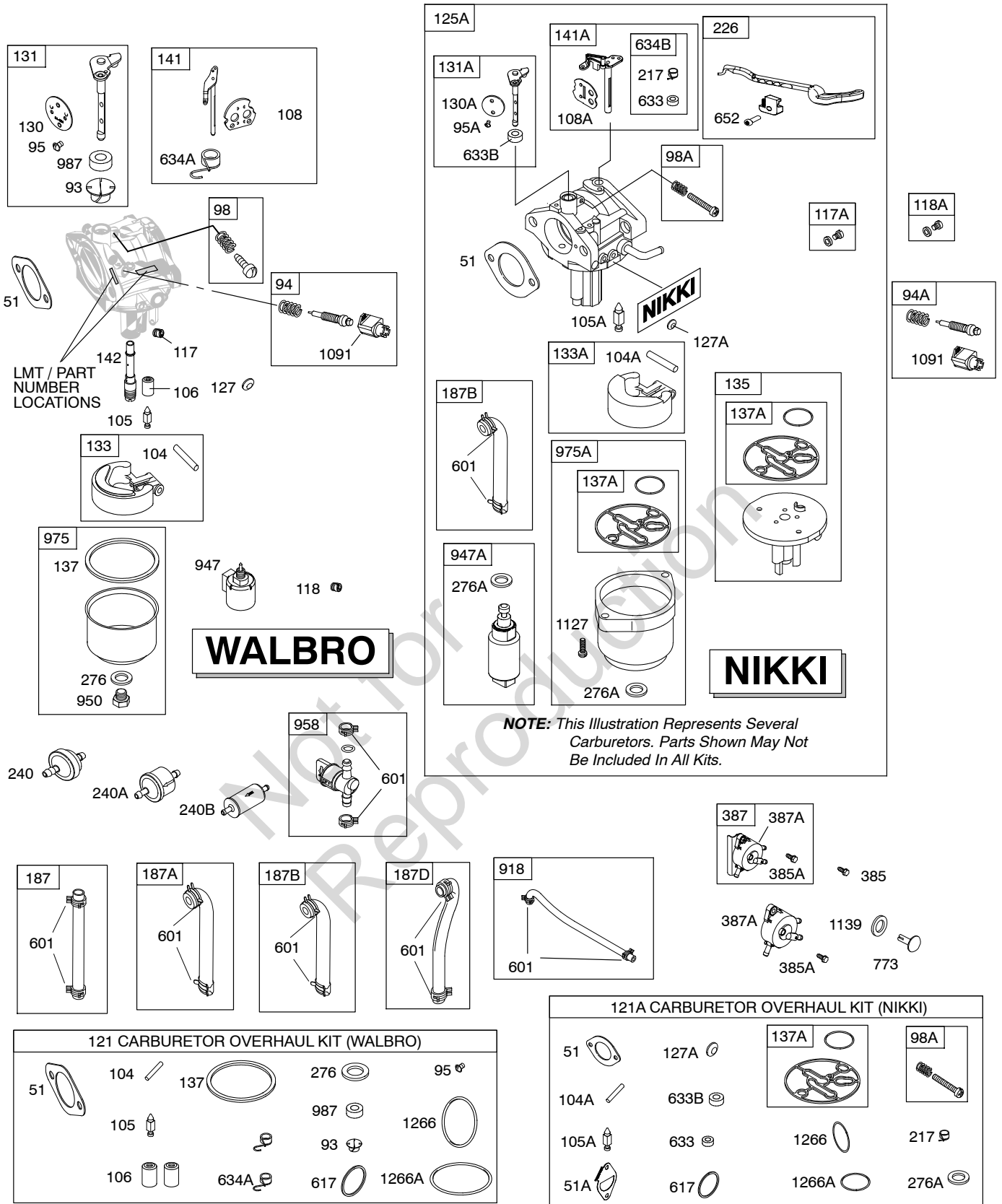


Illustrations cover a range of engines. Parts shown without corresponding text may not be used on your specific engine. 5164-2 Assemblies include all parts shown in frames. 02/15/2016

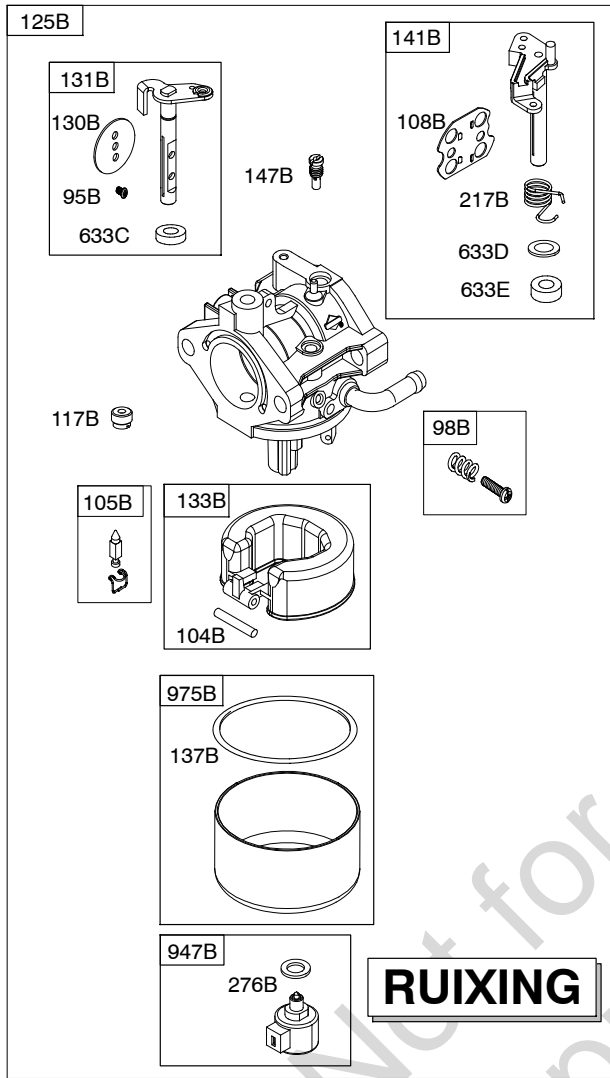


Illustrations cover a range of engines. Parts shown without corresponding text may not be used on your specific engine.
 5164-3 Assemblies include all parts shown in frames. 02/15/2016

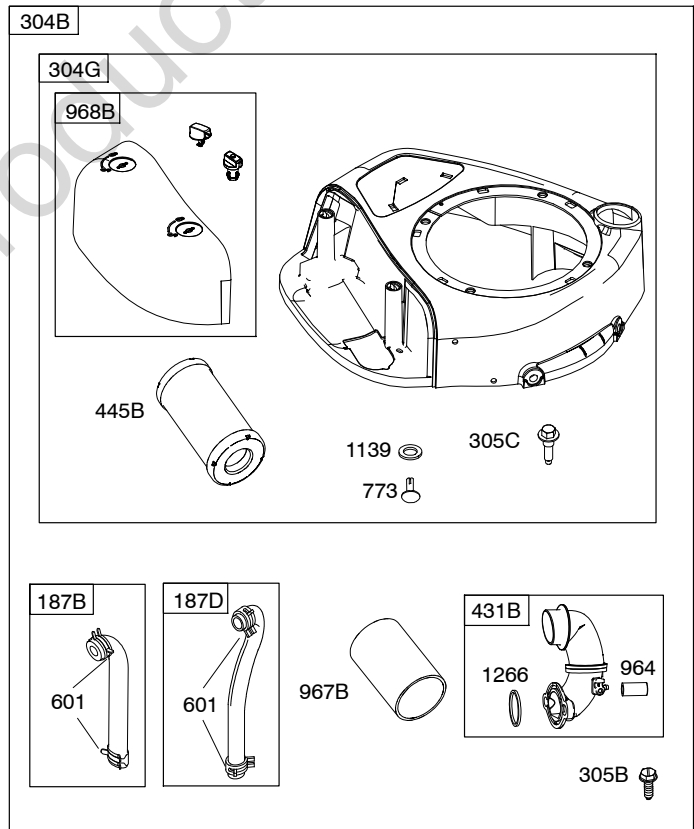
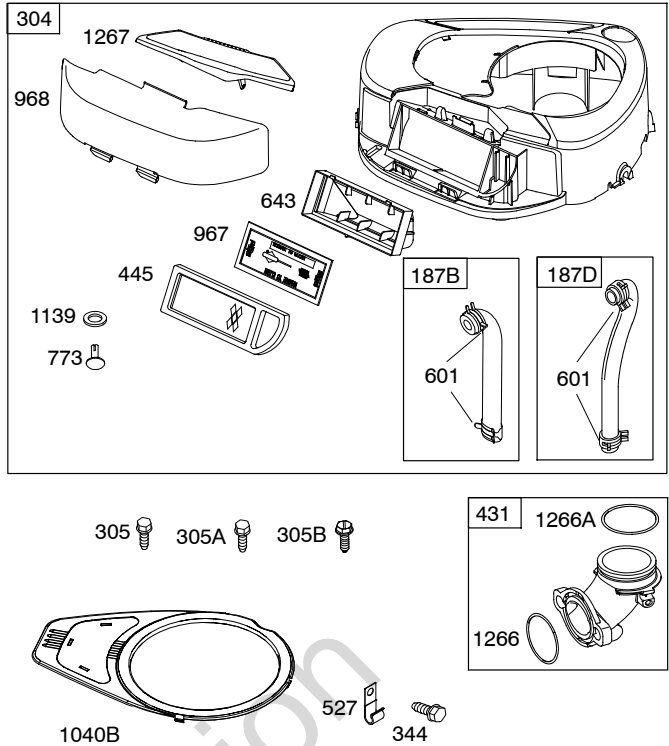
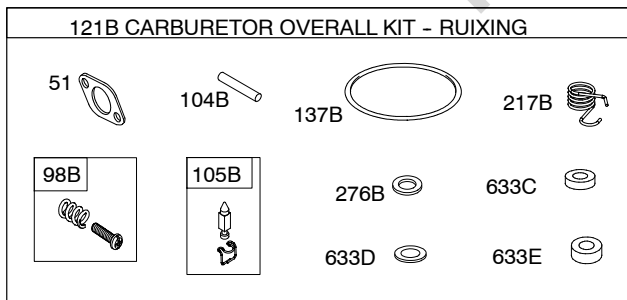
31G700



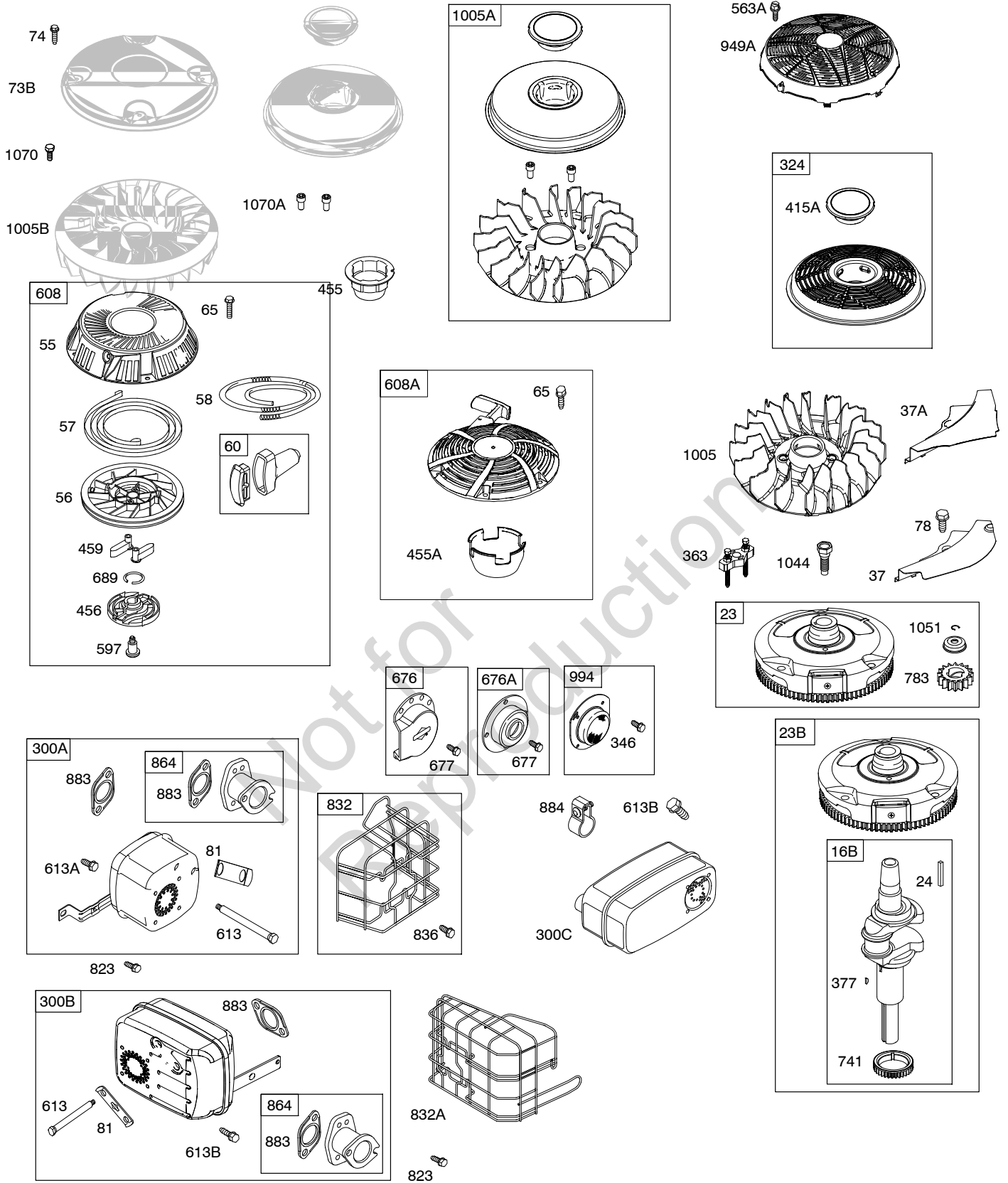
Illustrations cover a range of engines. Parts shown without corresponding text may not be used on your specific engine.
 5164-4 Assemblies include all parts shown in frames. 02/15/2016



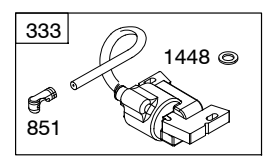
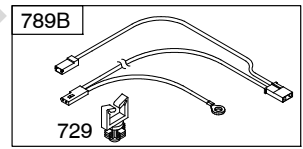
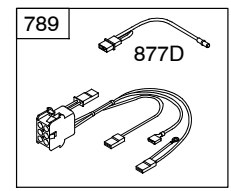
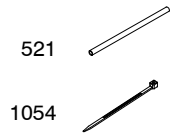
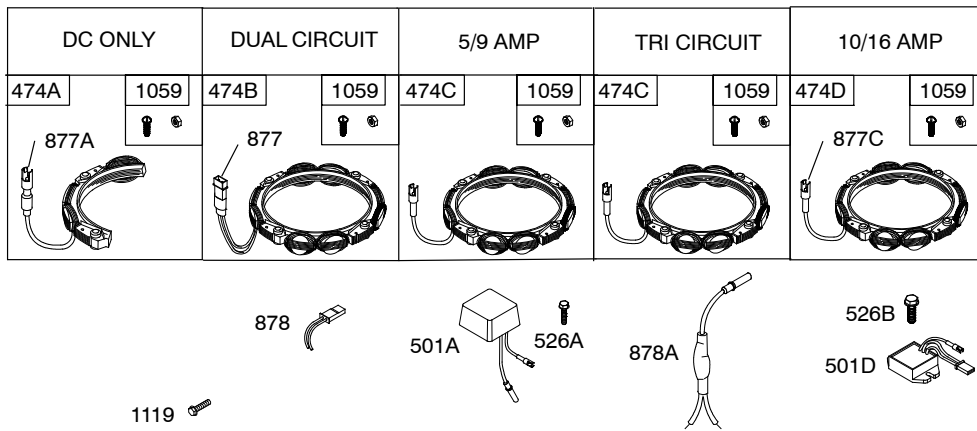
118B



31G700

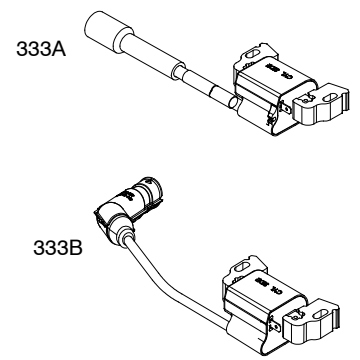
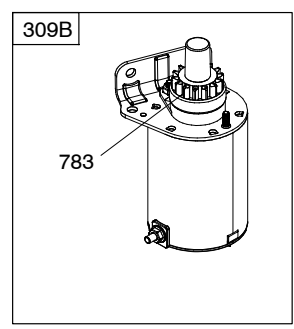
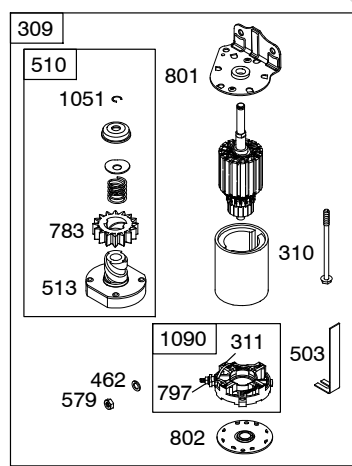
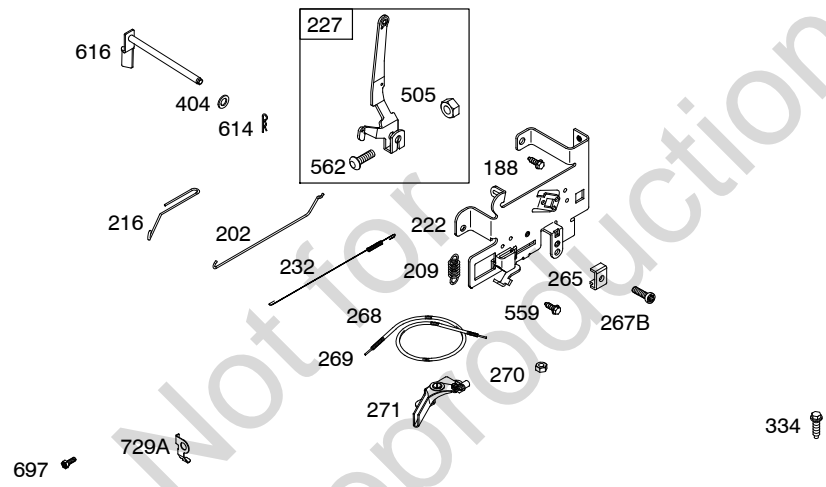


Illustrations cover a range of engines. Parts shown without corresponding text may not be used on your specific engine.



NOTE: All stators use a No. 1119 mounting screw.

NOTE: The proper flywheel part number and/or the alternator magnet size will determine the alternator type or output. See repair instruction manual for additional information.



31G700

| REF. NO. | PART NO. | DESCRIPTION | REF. NO. | PART NO. | DESCRIPTION | REF. NO. | PART NO. | DESCRIPTION |
|----------|----------|---|----------|----------|---|----------|----------|--|
| 1 | 796010 | Cylinder Assembly | 13 | 592244 | Screw (Cylinder Head) (5/16-18 x 2.69) (Used After Code Date 07010900). | 16B | 591948 | Crankshaft (Angled Cut Key-way) |
| 2 | 797673 | Kit-Bushing/Seal (Magneto Side) | | | | 19 | 591010 | Kit-Bushing/Seal (PTO Side) |
| 3 | 391086s | Seal-Oil (Magneto Side) | | | | 20 | 795387 | Seal-Oil (PTO Side) |
| 4 | 697106 | Sump-Engine (Used After Code Date 05100200). Used on Type No(s). 0026, 0140. ----- Note ----- | | | | 22 | 692125 | Screw (Crankcase Cover/Sump) |
| | | 795903 Sump-Engine (Used Before Code Date 05100300). (Must Use Kit 795903, Includes Sump And Counterweight). Used on Type No(s). 0026, 0140. | 15 | 690946 | Plug-Oil Drain (Square Head) ----- Note ----- | 23 | 591760 | Flywheel (Used After Code Date 12071700). ----- Note ----- |
| | | 795938 Sump-Engine (Used Before Code Date 05100300). (Must Use Kit 795938, Includes Sump And Counterweight). | | | | | | 693556 Flywheel (Used Before Code Date 12071800). (Straight Cut Key-way) (No Longer Available) (For Replacement Order Ref #23B) |
| 4A | 592849 | Sump-Engine (Used After Code Date 05100200). ----- Note ----- | 16 | 591762 | Crankshaft (Used After Code Date 12071700). ----- Note ----- | | | 591761 Flywheel (Used After Code Date 12071700). Used on Type No(s). 0119, 0127, 0128, 0136, 0139, 0147, 0150, 0151, 0154, 0156, 0165, 0172, 0181, 0193, 0199, 0200 0253, 0258, 0263, 0290, 0292, 0293, 0294, 0297, 0299, 0300, 0302, 0424, 0559, 0806, 1191, 2424. |
| | | 795938 Sump-Engine (Used Before Code Date 05100300). (Must Use Kit 795938, Includes Sump And Counterweight). | | | | | | 797579 Crankshaft (Used Before Code Date 12071800). 591763Crankshaft (Used After Code Date 12071700). Used on Type No(s). 0138, 0143, 0144, 0147, 0153, 0154, 0156, 0157, 0160, 0161, 0171, 0200, 0205, 0235, 0238, 0297, 0302, 0305, 0306, 0720, 0814, 1440, 2143, 2144, 2440, 4302. |
| 4C | 591009 | Sump-Engine Used on Type No(s). 0174. | | | | | | 797585 Crankshaft (Used Before Code Date 12071700). Used on Type No(s). 0138, 0143, 0144, 0147, 0153, 0154, 0156, 0157, 0160, 0161, 0171, 0200, 0235, 0238, 0297, 0302, 0305, 0720, 0814, 1440, 2143, 2144, 2440, 4302. |
| 5 | 796026 | Head-Cylinder | | | | | | |
| 6 | 690310 | Washer (Used After Code Date 07070900). | | | | | | |
| 7 | 796584 | Gasket-Cylinder Head | | | | | | |
| 9 | 697109 | Gasket-Breather (Used Before Code Date 07071900). (After Date Code Use Liquid Sealant Reference 850) | | | | | | |
| 11 | 794683 | Tube-Breather | | | | | | |
| 12 | 697110 | Gasket-Crankcase (.015" Thick) (Standard) | | | | | | |

Illustrations cover a range of engines. Parts shown without corresponding text may not be used on your specific engine.

31G700

| REF. NO. | PART NO. | DESCRIPTION | REF. NO. | PART NO. | DESCRIPTION | REF. NO. | PART NO. | DESCRIPTION |
|----------|---------------|--|------------|---------------|---|-----------|---------------|--|
| | 693557 | Flywheel (Used Before Code Date 12071800). Used on Type No(s). 0119, 0127, 0128, 0136, 0139, 0147, 0150, 0151, 0154, 0156, 0165, 0172, 0181, 0193, 0199, 0200 0253, 0258, 0263, 0290, 0292, 0293, 0294, 0297, 0299, 0300, 0302, 0424, 0559, 0806, 1191, 2424. | | 698282 | Flywheel (Used Before Code Date 12071800). Used on Type No(s). 0143, 0144, 0146, 0155, 0157, 0158, 0159, 0160, 0161, 0162, 0169, 0171, 0174, 0175, 0176, 0194, 0203, 0204, 0205, 0235, 0238, 0304, 0305, 0306, 1440, 2143, 2144, 2146, 2440, 3304, 4127, 4130, 4133. | | 594438 | Ring Set (.020" Oversize) (Used After Code Date 14093000). |
| | 591759 | Flywheel (Used After Code Date 12071700). Used on Type No(s). 0148, 0149, 0153, 1413, 1583, 1597, 4302. | 23B | 595094 | Flywheel (Angled Cut Key-way) (Used Before Code Date 12071800). | 27 | 698469 | Lock-Piston Pin |
| | 698281 | Flywheel (Used Before Code Date 12071800). Used on Type No(s). 0148, 0149, 0153, 1413, 1583, 1597, 4302. | 24 | 591757 | Key-Flywheel (Used After Code Date 12071700). ----- Note ----- | 28 | 594439 | Pin-Piston (1.62" Long) (Used After Code Date 14093000). ----- Note ----- |
| | 591758 | Flywheel (Used After Code Date 12071700). Used on Type No(s). 0143, 0144, 0146, 0155, 0157, 0158, 0159, 0160, 0161, 0162, 0169, 0171, 0174, 0175, 0176, 0194, 0203, 0204, 0205, 0235, 0238, 0304, 0305, 0306, 1440, 2143, 2144, 2146, 2440, 3304, 4127, 4130, 4133. | 24 | 796335 | Key-Flywheel (Used Before Code Date 12071800). | 29 | 794122 | Rod-Connecting (Standard) ----- Note ----- |
| | | | 25 | 594435 | Piston Assembly (Standard) (Used After Code Date 14093000). ----- Note ----- | | | 794571 Rod-Connecting Used on Type No(s). 0138, 0143, 0144, 0147, 0153, 0154, 0156, 0157, 0160, 0161, 0171, 0200, 0205, 0235, 0238, 0297, 0302, 0305, 0306, 0720, 0814, 1440, 2143, 2144, 2440, 4302. |
| | | | | 796172 | Piston Assembly (Used Before Code Date 14100100). | 32 | 791118 | Screw (Connecting Rod) |
| | | | | 594436 | Piston Assembly (.020" Oversize) (Used After Code Date 14093000). | 33 | 792868 | Valve-Exhaust |
| | | | | 796173 | Piston Assembly (.020" Oversize) (Used Before Code Date 14100100). | 34 | 791935 | Valve-Intake |
| | | | 26 | 594437 | Ring Set (Standard) (Used After Code Date 06010100). ----- Note ----- | 35 | 691279 | Spring-Valve (Intake) |
| | | | | 699026 | Ring Set (Standard) (Used Before Code Date 06010200). | 36 | 691279 | Spring-Valve (Exhaust) |

Illustrations cover a range of engines. Parts shown without corresponding text may not be used on your specific engine.
5164-9 Assemblies include all parts shown in frames. 02/15/2016

31G700

| REF. NO. | PART NO. | DESCRIPTION | REF. NO. | PART NO. | DESCRIPTION | REF. NO. | PART NO. | DESCRIPTION |
|----------|----------|---|----------|----------|-------------------------------------|----------|----------|---|
| 37 | 697108 | Guard-Flywheel | 95A | 690718 | Screw (Throttle Valve) | 108A | 695419 | Valve-Choke (Nikki) |
| 37A | 697352 | Guard-Flywheel | | | (Nikki) | | | (Used Before Code Date 15113000) |
| 42 | 499586 | Keeper-Valve | | | (Used Before Code Date 15113000) | 108B | 594863 | Valve-Choke (Ruixing) |
| 43 | 691968 | Slinger-Governor/Oil | 95B | 593897 | Screw (Throttle Valve) | | | (Used After Code Date 15112900). |
| 45 | 690564 | Tappet-Valve | | | (Ruixing) | 117 | 694352 | Jet-Main (Walbro) |
| 46 | 793880 | Camshaft | | | (Used After Code Date 15112900). | | | (Standard) |
| 50 | 591248 | Manifold-Intake | 98 | 495800 | Kit-Idle Speed (Walbro) | 117A | 843099 | Jet-Main (Nikki) |
| 50B | 592842 | Manifold-Intake | 98A | 695408 | Kit-Idle Speed (Nikki) | | | (Standard) |
| 51 | 692137 | Gasket-Intake | | | (Used Before Code Date 15113000) | | | (Used Before Code Date 15113000) |
| 51A | 796081 | Gasket-Intake | 98B | 846817 | Kit-Idle Speed (Ruixing) | | | ----- Note ----- 843099 Jet-Main |
| 53 | 591260 | Stud (Carburetor) (Used After Code Date 11121800). | | | (Used After Code Date 15112900). | | | (Nikki) |
| | | ----- Note ----- | 104 | 690525 | Pin-Float Hinge (Walbro) | | | (Standard) |
| | | 690227 Stud (Carburetor) (Used Before Code Date 11121900). | 104A | 694918 | Pin-Float Hinge (Nikki) | | | (Used Before Code Date 1511300 and After Code Date 09012400). |
| 54 | 691148 | Screw (Intake Manifold) | | | (Used Before Code Date 15113000) | | | Used on Type No(s). 0026B1, 0026E1, 0036B1, 0036E1, 0112, 0113, 0115, 0116, 0123, 0130, 0132, 0133, 0134, 0135, 0138, 0140, 0142, 0144, 0146, 0150, 0151, 0153, 0157, 0158, 0159, 0160, 0161, 0162, 0165, 0166, 0167, 0171, 0174, 0191, 0196, 0200, 0201, 0203, 0205, 0235, 0238, 0253, 0258, 0263, 0290, 0304, 0305, 0306, 2143, 2144, 2146, 3026, 3036, 3304, 4133, 4302. |
| 55 | 695130 | Housing-Rewind Starter (No Longer Available) | 104B | 594860 | Pin-Float Hinge (Ruixing) | | | |
| 56 | 695129 | Pulley-Starter | | | (Used After Code Date 15112900). | | | |
| 57 | 695131 | Spring-Rewind Starter | 105 | 231855s | Valve-Float Needle (Walbro) | | | |
| 58 | 695132 | Rope-Starter | 105A | 696136 | Valve-Float Needle (Nikki) | | | |
| 60 | 493926 | Grip-Starter Rope (No Longer Available) | | | (Used Before Code Date 15113000) | | | |
| 65 | 690837 | Screw (Rewind Starter) | 105B | 594868 | Valve-Float Needle (Ruixing) | | | |
| 73B | | Screen-Rotating (Used Before Code Date 07040900). See Reference 1005A For Service Flywheel Fan). | | | (Used After Code Date 15112900). | | | |
| 74 | 697897 | Screw (Rotating Screen) (Used Before Code Date 07040900). | 106 | 690577 | Seat-Inlet (Gravity Feed) | | | |
| 78 | 691693 | Screw (Flywheel Guard) | | | ----- Note ----- | | | |
| 81 | 691178 | Lock-Muffler Screw | | | 691780 Seat-Inlet (Pump Feed) | | | |
| 93 | 690602 | Bushing-Throttle Shaft | 108 | 692344 | Valve-Choke (Walbro) | | | |
| 94 | 794176 | Kit-Idle Mixture (Walbro) | | | | | | |
| 94A | 793610 | Kit-Idle Mixture (Nikki) (Used Before Code Date 09012500). | | | | | | |
| 95 | 691636 | Screw (Throttle Valve) (Walbro) | | | | | | |

Illustrations cover a range of engines. Parts shown without corresponding text may not be used on your specific engine.
5164-10 Assemblies include all parts shown in frames. 02/15/2016

| REF. NO. | PART NO. | DESCRIPTION | REF. NO. | PART NO. | DESCRIPTION | REF. NO. | PART NO. | DESCRIPTION |
|----------|---------------|---|-------------|---------------|--|----------|---------------|---|
| | 699732 | Jet-Main (Used Before Code Date 09012500). Used on Type No(s). 0026B1, 0026E1, 0036B1, 0036E1, 0112, 0113, 0115, 0116, 0123, 0130, 0132, 0133, 0134, 0135, 0138, 0140, 0142, 0151, 0165, 0166, 0167, 0191, 0196, 0200, 0201, 0253, 0263, 0290, 0294. | | 843099 | Jet-Main (Standard) (Used Before Code Date 12081300 and After Code Date 08042700). Used on Type No(s). 0026G1, 0036G1, 0120, 0125, 0126, 0127, 0128, 0131, 0136, 0139, 0143, 0147, 0148, 0149, 0154, 0155, 0156, 0168, 0169, 0175, 0194, 0204, 0292, 0293, 0294, 0297, 0300, 0424, 0559, 0720, 0806, 0814, 1191, 1413, 1440, 1583, 1597, 2424, 2440, 3026, 4127, 4130. | | 790890 | Jet-Main (High Altitude) (Used Before Code Date 15112900 and After Code Date 09012400). Used on Type No(s). 0026B1, 0026E1, 0036B1, 0036E1, 0112, 0113, 0115, 0116, 0123, 0130, 0132, 0133, 0134, 0135, 0138, 0140, 0142, 0144, 0146, 0150, 0151, 0153, 0157, 0158, 0159, 0160, 0161, 0162, 0165, 0166, 0167, 0171, 0174, 0191, 0196, 0200, 0201, 0203, 0205, 0235, 0238, 0253, 0258, 0263, 0290, 0304, 0305, 0306, 2143, 2144, 2146, 3026, 3036, 3304, 4133, 4302. |
| | 843099 | Jet-Main (Standard) (Used Before Code Date 09012300 and After Code Date 08051300). Used on Type No(s). 0114, 0119, 0120, 0121, 0126, 0127, 0128, 0131, 0172, 0181, 0192, 0193, 0199, 0292, 0294, 0297, 0299. | | 699732 | Jet-Main (Standard) (Used Before Code Date 08042800). Used on Type No(s). 0026G1, 0036G1, 0203. | | | |
| | 699732 | Jet-Main (Standard) (Used Before Code Date 08051400). Used on Type No(s). 0114, 0119, 0120, 0121, 0125, 0126, 0127, 0128, 0131, 0136, 0139, 0168, 0172, 0181, 0192, 0193, 0199, 0199, 0258, 0292, 0293, 0294, 0297, 0299, 0300, 0424, 0559, 0720, 0806, 0814. | 117B | 594869 | Jet-Main (Ruixing) (Standard) (Used After Code Date 15112900). Used on Type No(s). 0112, 0133, 0142, 0146, 0162, 0167, 0171, 0174, 0175, 0203, 0204, 0205, 0235, 0238, 0305, 0306, 1583, 1597, 2146, 2424, 3026, 3036, 4127. | | | |
| | | | 118 | 697228 | Jet-Main (High Altitude) | | | |
| | | | 118A | 790890 | Jet-Main (High Altitude) (Used Before Code Date 15112900) | | | |
| | | | | | ----- Note ----- | | | |

31G700

| REF. NO. | PART NO. | DESCRIPTION | REF. NO. | PART NO. | DESCRIPTION | REF. NO. | PART NO. | DESCRIPTION |
|----------|---------------|--|-------------|---------------|---|-------------|---------------|--|
| | 699458 | Jet-Main (High Altitude) (Used Before Code Date 09012500). Used on Type No(s). 0026B1, 0026E1, 0036B1, 0036E1, 0112, 0113, 0115, 0116, 0123, 0130, 0132, 0133, 0134, 0135, 0138, 0140, 0142, 0151, 0165, 0166, 0167, 0191, 0196, 0200, 0201, 0253, 0263, 0290, 0294. | | 790890 | Jet-Main (High Altitude) (Used Before Code Date 15112900 and After Code Date 08042700). Used on Type No(s). 0026G1, 0036G1, 0120, 0125, 0126, 0127, 0128, 0131, 0136, 0139, 0143, 0147, 0148, 0149, 0154, 0155, 0156, 0168, 0169, 0175, 0194, 0204, 0292, 0293, 0294, 0297, 0300, 0424, 0559, 0720, 0806, 0814, 1191, 1413, 1440, 1583, 1597, 2424, 2440, 3026, 4127, 4130. | 125A | 591731 | Carburetor (Nikki Carburetor) (Used Before Code Date 15113000) ----- Note ----- 591731 Carburetor (Used Before Code Date 15113000 and After Code Date 09012400). Used on Type No(s). 0026, 0036, 0112, 0132, 0133, 0134, 0135, 0138, 0140, 0142, 0167, 0200, 0201. 794572 Carburetor (Nikki Carburetor) (Used Before Code Date 09012500). Used on Type No(s). 0026, 0036, 0112, 0113, 0115, 0116, 0123, 0130, 0132, 0133, 0134, 0135, 0138, 0140, 0142, 0151, 0165, 0166, 0167, 0191, 0196, 0200, 0201, 0253, 0258, 0263, 0290. 591731 Carburetor (Nikki Carburetor) (Used After Code Date 08051300). (Used Before Code Date 15113000 and After Code Date 08051300). Used on Type No(s). 0114, 0119, 0120, 0121, 0125, 0126, 0127, 0128, 0131, 0136, 0139, 0258, 0168, 0172, 0181, 0192, 0193, 0199, 0292, 0293, 0294, 0297, 0299, 0300, 0424, 0559, 0720, 0806, 0814. |
| | 790890 | Jet-Main (High Altitude) (Used Before Code Date 15112900 and After Code Date 08051300). Used on Type No(s). 0114, 0119, 0120, 0121, 0126, 0127, 0128, 0131, 0172, 0181, 0192, 0193, 0199, 0292, 0294, 0297, 0299. | 118B | 595070 | Jet-Main (Ruixing) (High Altitude) (Used After Code Date 15112900). Used on Type No(s). 0112, 0133, 0142, 0146, 0162, 0167, 0171, 0174, 0175, 0203, 0204, 0205, 0235, 0238, 0305, 0306, 1583, 1597, 2146, 2424, 3026, 3036, 4127. | 121 | 697241 | Kit-Carburetor Overhaul (Walbro Carburetor) |
| | 699458 | Jet-Main (High Altitude) (Used Before Code Date 08051400). Used on Type No(s). 0114, 0119, 0120, 0121, 0125, 0126, 0127, 0128, 0131, 0136, 0139, 0258, 0168, 0172, 0181, 0192, 0193, 0199, 0292, 0293, 0294, 0297, 0299, 0300, 0424, 0559, 0720, 0806, 0814. | | | | 121A | 796184 | Kit-Carburetor Overhaul (Nikki Carburetor) (Used Before Code Date 15113000) |
| | | | | | | 121B | 594886 | Kit-Carburetor Overhaul (Ruixing Carburetor) (Used After Code Date 15112900). |

Illustrations cover a range of engines. Parts shown without corresponding text may not be used on your specific engine.

| REF. NO. | PART NO. | DESCRIPTION | REF. NO. | PART NO. | DESCRIPTION | REF. NO. | PART NO. | DESCRIPTION |
|-------------|---------------|--|-------------|----------------|---|-------------|---------------|---|
| | | 794572 Carburetor (Nikki Carburetor) (Used Before Code Date 08051400). Used on Type No(s). 0114, 0119, 0120, 0121, 0125, 0126, 0127, 0128, 0131, 0136, 0139, 0168, 0172, 0181, 0192, 0193, 0199, 0292, 0293, 0294, 0297, 0299, 0300, 0424, 0559, 0720, 0806, 0814. | 130A | 699500 | Valve-Throttle (Nikki) (Used Before Code Date 15113000) | 142 | 697140 | Nozzle-Carburetor (Standard) |
| | | 591731 Carburetor (Nikki Carburetor) (Used After Code Date 08042700). Used on Type No(s). 0026G1, 0036G1. | 130B | 594857 | Valve-Throttle (Ruixing) (Used After Code Date 15112900). | 147B | 594870 | Jet-Pilot (Ruixing) (Used After Code Date 15112900). |
| | | 794572 Carburetor (Nikki Carburetor) (Used Before Code Date 08042800). Used on Type No(s). 0026G1, 0036G1. | 131 | 790901 | Kit-Throttle Shaft (Walbro) | 186 | 794873 | Connector-Hose |
| | | 794572 Carburetor (Nikki Carburetor) (Used Before Code Date 08042800). Used on Type No(s). 0026G1, 0036G1. | 131A | 699501 | Kit-Throttle Shaft (Nikki) (Used Before Code Date 15113000) | 186A | 796532 | Connector-Hose Oil Drain |
| | | 591731 Carburetor (Ruixing)(Pump) (Used After Code Date 15112900). Used on Type No(s). 0112, 0133, 0142, 0146, 0162, 0167, 0171, 0174, 0203, 0205, 0235, 0238, 0305, 0306, 2146, 3026, 3036. | 131B | 594855 | Kit-Throttle Shaft (Ruixing) (Used After Code Date 15112900). | 187 | 791766 | Line-Fuel (15 Inches Long) (Cut To Required Length) |
| | | 594593 Carburetor (Ruixing)(Gravity) (Used After Code Date 15112900). Used on Type No(s). 0105, 0175, 0204, 1583, 1597, 2424, 4127. | 133 | 494381 | Float-Carburetor (Walbro) | 187A | 791806 | Line-Fuel (Formed)(21 Inches Inches Long)(Cut to Required Length) |
| 125B | 594591 | Carburetor (Ruixing)(Pump) (Used After Code Date 15112900). Used on Type No(s). 0112, 0133, 0142, 0146, 0162, 0167, 0171, 0174, 0203, 0205, 0235, 0238, 0305, 0306, 2146, 3026, 3036. | 133A | 694914 | Float-Carburetor (Nikki) (Used Before Code Date 15113000) | 187B | 791805 | Line-Fuel (Formed)(10-1/4 Inches Long)(Cut to Required Length) |
| | | 594593 Carburetor (Ruixing)(Gravity) (Used After Code Date 15112900). Used on Type No(s). 0105, 0175, 0204, 1583, 1597, 2424, 4127. | 133B | 594859 | Float-Carburetor (Ruixing) (Used After Code Date 15112900). | 187D | 791744 | Line-Fuel (Formed)(14 Inches Inches Long)(Cut to Required Length) |
| | | 594593 Carburetor (Ruixing)(Gravity) (Used After Code Date 15112900). Used on Type No(s). 0105, 0175, 0204, 1583, 1597, 2424, 4127. | 135 | 698780 | Tube-Fuel Transfer (Gravity Feed Carburetor) | 188 | 691693 | Screw (Control Bracket) |
| | | 594593 Carburetor (Ruixing)(Gravity) (Used After Code Date 15112900). Used on Type No(s). 0105, 0175, 0204, 1583, 1597, 2424, 4127. | 137 | 281165s | Gasket-Float Bowl (Walbro) | 192 | 691986 | Adjuster-Rocker Arm |
| | | 594593 Carburetor (Ruixing)(Gravity) (Used After Code Date 15112900). Used on Type No(s). 0105, 0175, 0204, 1583, 1597, 2424, 4127. | 137A | 698781 | Gasket-Float Bowl (Nikki) (Used Before Code Date 15113000) | 202 | 691841 | Link-Mechanical Governor |
| | | 594593 Carburetor (Ruixing)(Gravity) (Used After Code Date 15112900). Used on Type No(s). 0105, 0175, 0204, 1583, 1597, 2424, 4127. | 137B | 594861 | Gasket-Float Bowl (Ruixing) (Used After Code Date 15112900). | | | |
| 127 | 695005 | Plug-Welch (5/16" Diameter) (Walbro) | 141 | 790902 | Kit-Choke Shaft | | | |
| 127A | 690727 | Plug-Welch (Nikki) | 141A | 792777 | Kit-Choke Shaft (Used Before Code Date 15113000) | | | |
| 130 | 691750 | Valve-Throttle (Walbro) | 141B | 594862 | Kit-Choke Shaft (Ruixing) (Used After Code Date 15112900). | | | |

Illustrations cover a range of engines. Parts shown without corresponding text may not be used on your specific engine.
5164-13 Assemblies include all parts shown in frames. **02/15/2016**

31G700

| REF. NO. | PART NO. | DESCRIPTION | REF. NO. | PART NO. | DESCRIPTION | REF. NO. | PART NO. | DESCRIPTION |
|----------|----------|--|----------|----------|---|----------|----------|---|
| 209 | 796260 | Spring-Governor ----- Note ----- 260902 Spring-Governor Used on Type No(s). 0144, 0155, 0169, 0194, 0199, 0204, 0253, 0263, 2144. 690576 Spring-Governor Used on Type No(s). 0119, 0123, 0127, 0128, 0139, 0143, 0147, 0148, 0153, 0154, 0166, 0200, 0299, 0300, 0302, 0424, 2143, 2424, 4127, 4302. 796261 Spring-Governor Used on Type No(s). 0115, 0116, 0120, 0121, 0130, 0131, 0175, 0176, 4130. 792602 Spring-Governor Used on Type No(s). 0134, 0135, 0138, 0140, 0156, 0157, 0160, 0161, 0174, 0201, 0297, 0303, 0304, 3304. | 265 | 691024 | Clamp-Casing | 304G | 591642 | Housing-Blower (Compatible With Canister Style Filter) Used on Type No(s). 0148, 0150, 0153, 0155, 0157, 0158, 0159, 0160, 0161, 0162, 0171, 0174, 0175, 0176, 0194, 0203, 0204, 0205, 0235, 0238, 0305, 0306, 1583, 1597, 2143, 2144, 2146, 2424, 2440, 3026, 3036, 3304, 4127, 4130, 4133, 4302. ----- Note ----- 591643 Housing-Blower (Black) (w/Threaded Inserts for rewind starter) (Compatible With Canister Style Filter) |
| 216 | 691840 | Link-Choke | 267B | 794904 | Screw | 305 | 697102 | Screw (Blower Housing) |
| 217 | 695409 | Spring-Choke Return (Used Before Code Date 15113000) | 268 | 691025 | Casing-Control Wire (Cut To Required Length) | 305A | 793376 | Screw (Used On Non-Grommet Style Blower Housing) |
| 217B | 594864 | Spring-Choke (Ruixing) (Used After Code Date 15112900). | 269 | 691026 | Wire-Control (Cut To Required Length) | 305B | 795891 | Screw (Blower Housing To Intake Elbow) |
| 222 | 694042 | Bracket-Control | 270 | 691027 | Nut (Control Wire Casing) | 305C | 799370 | Screw (Used On Grommet Style Blower Housing) |
| 226 | 793386 | Choke Rod | 271 | 691028 | Lever-Control | 306 | 592777 | Shield-Cylinder (Used After Code Date 08042700). ----- Note ----- 697107 Shield-Cylinder (Used Before Code Date 08082800). |
| 227 | 691374 | Lever-Governor Control | 276 | 692255 | Washer-Sealing (Walbro) | 307 | 691693 | Screw (Cylinder Shield) |
| 232 | 691842 | Spring-Governor Link | 276A | 695410 | Washer-Sealing (Nikki) (Used Before Code Date 15113000) | 309 | 693551 | Motor-Starter |
| 238 | 691843 | Cap-Valve | 276B | 846640 | Washer-Sealing (Ruixing) (Used After Code Date 15112900). | | | |
| 239 | 491657s | Switch-Oil Pressure | 300A | 795998 | Muffler Used on Type No(s). 0125, 0126, 0135, 0150, 0162, 0174, 0303, 0304, 3304. | | | |
| 240 | 394358s | Filter-Fuel (White, 75 Microns) | 300B | 795997 | Muffler Used on Type No(s). 0026, 0036, 0112, 0115, 0132, 0140, 0146, 0158, 0167, 0201, 0203, 2146, 3026, 3036. | | | |
| 240A | 691035 | Filter-Fuel (Includes 40 Micron Paper Element) | 300C | 498984s | Muffler Used on Type No(s). 0134. | | | |
| 240B | 695666 | Filter-Fuel (Includes 30 Micron Paper Element) | 304 | 796416 | Housing-Blower (Black-Compatible With Panel Style Filter) (No Longer Available) Use Replacement Blower Housing Ref #304B) | | | |
| | | | 304B | 591907 | Housing-Blower (Black-Compatible With Canister Style Filter) | | | |

Illustrations cover a range of engines. Parts shown without corresponding text may not be used on your specific engine.

31G700

| REF. NO. | PART NO. | DESCRIPTION | REF. NO. | PART NO. | DESCRIPTION | REF. NO. | PART NO. | DESCRIPTION |
|-------------|---------------|---|-------------|----------------|--|-------------|---------------|---|
| 309B | 593936 | Motor-Starter Used on Type No(s). 0153, 0155, 0169, 0200, 0302, 4302. | 337 | 491055s | Plug-Spark ----- Note ----- 691043 Plug-Spark Used on Type No(s). 0113, 0114, 0119, 0120, 0121, 0123, 0127, 0128, 0130, 0131, 0132, 0133, 0134, 0135, 0136, 0138, 0143, 0144, 0147, 0150, 0151, 0154, 0155, 0156, 0157, 0160, 0166, 0167, 0168, 0169, 0175, 0191, 0193, 0196, 0253, 0292, 0293, 0294, 0297, 0299, 1583, 1597, 2143, 2144, 4127, 4130, 4133. 792015 Plug-Spark Used on Type No(s). 0139, 0142, 0148, 0149, 0159, 0161, 0194, 0204, 0238, 0300, 0305, 0306, 0424, 2424. 793541 Plug-Spark Used on Type No(s). 0153, 0200, 0302, 0720, 1440, 2440, 4302. 696202 Plug-Spark Used on Type No(s). 0814. | 387A | 808656 | Pump-Fuel (Used After Code Date 08082400). |
| 310 | 690323 | Screw (Starter Motor) ----- Note ----- 691263 Screw (Starter Motor) (No Longer Available) Used on Type No(s). 0153, 0155, 0169, 0200, 0302, 4302. | 344 | 693675 | Screw (Cable Clamp) | 404 | 691691 | Washer (Governor Crank) |
| 311 | 497608 | Brush Set | 346 | 690661 | Screw (Spark Arrestor) | 415 | 794903 | Plug (Square Head) |
| 324 | 796308 | Screen-Rotating (Used After Code Date 07040800). | 356B | 697089 | Wire-Stop | 415A | 794129 | Plug (Cover/Retainer) (Used After Code Date 07040800). |
| 333 | 799650 | Armature-Magneto | 357 | 691483 | Key-Pulley | 431 | 697122 | Elbow-Intake |
| 333A | 594626 | Armature-Magneto (Used After Code Date 16063000) Used on Type No(s). 0105, 0112, 0133, 0146, 0162, 0167, 0203, 0235, 0306, 1583, 1597, 2146, 3036. | 358 | 796187 | Gasket Set-Engine | 431B | 797901 | Elbow-Intake Used on Type No(s). 0148, 0150, 0153, 0154, 0155, 0156, 0157, 0158, 0159, 0160, 0161, 0162, 0171, 0174, 0175, 0176, 0194, 0203, 0204, 0205, 0235, 0238, 0305, 0306, 1583, 1597, 2143, 2144, 2146, 2424, 2440, 3026, 3036, 3304, 4127, 4130, 4133, 4302. |
| 333B | 595304 | Armature-Magneto (EMC Compliant) (Used After Code Date 16063000) Used on Type No(s). 0142, 0204, 0205, 0238, 0305, 2424. | 363 | 19203 | Puller-Flywheel | 445 | 797008 | Filter-Air Cleaner Cartridge (Standard-Panel Style) ----- Note ----- 795115 Filter-Air Cleaner Cartridge (Premium-Panel Style) |
| 334 | 691061 | Screw (Magneto Armature) | 377 | 691639 | Key-Timing | 445B | 594201 | Filter-Air Cleaner Cartridge (Canister Style) Used on Type No(s). 0148, 0150, 0153, 0154, 0155, 0156, 0157, 0158, 0159, 0160, 0161, 0162, 0171, 0175, 0176, 0205, 0235, 0238, 0306, 1583, 1597, 2143, 2144, 2146, 2424, 2440, 3026, 3036, 3304, 4127, 4130, 4133, 4302. |
| | | | 383 | 89838s | Wrench-Spark Plug | | | |
| | | | 385 | 694476 | Screw (Fuel Pump) | | | |
| | | | 385A | 690297 | Screw (Fuel Pump) | | | |
| | | | 387 | 697090 | Pump-Fuel (Includes Mounting Bracket) (Used Before Code Date 08082500). | | | |

Illustrations cover a range of engines. Parts shown without corresponding text may not be used on your specific engine.
5164-15 Assemblies include all parts shown in frames. **02/15/2016**

31G700

| REF. NO. | PART NO. | DESCRIPTION | REF. NO. | PART NO. | DESCRIPTION | REF. NO. | PART NO. | DESCRIPTION |
|----------|----------|---------------------|----------|----------|----------------------|----------|----------|---|
| 455 | 695113 | Cup-Flywheel | 525 | 697184 | Tube-Dipstick | 584 | 794682 | Cover-Breather Passage |
| 455A | 796615 | Cup-Flywheel | | | Used on Type No(s). | | | (Use With Liquid Sealant Reference 850) |
| 456 | 695128 | Plate-Pawl Friction | | | 0114, 0119, 0120, | | | |
| 459 | 281505s | Pawl-Ratchet | | | 0121, 0123, 0125, | | | |
| 462 | 691261 | Washer | | | 0126, 0127, 0128, | | | |
| | | (Starter Cable) | | | 0131, 0136, 0139, | 597 | 691696 | Screw |
| 474A | 592828 | Alternator | | | 0147, 0148, 0149, | | | (Pawl Friction Plate) |
| | | (DC Only) | | | 0151, 0154, 0155, | 601 | 791850 | Clamp-Hose |
| | | Used on Type No(s). | | | 0156, 0165, 0166, | | | (Green) |
| | | 0153, 0200, 0302, | | | 0168, 0169, 0172, | | | ----- Note ----- |
| | | 4302. | | | 0175, 0181, 0191, | | | 691038 Clamp-Hose |
| 474B | 592831 | Alternator | | | 0192, 0193, 0194, | | | (Black) |
| | | (Dual Circuit) | | | 0199, 0204, 0253, | 608 | 695058 | Starter-Rewind |
| | | Used on Type No(s). | | | 0258, 0263, 0290, | | | (Used Before Code |
| | | 0119, 0128, 0136, | | | 0292, 0293, 0294, | | | Date 12082700). |
| | | 0139, 0147, 0149, | | | 0297, 0299, 0300, | | | (No Longer |
| | | 0150, 0151, 0154, | | | 0424, 0559, 0720, | | | Available)(Use Ref |
| | | 0156, 0165, 0172, | | | 0806, 0814, 1191, | | | #608A) |
| | | 0181, 0193, 0199, | | | 1413, 1440, 1583, | 608A | 591606 | Starter-Rewind |
| | | 0253, 0258, 0263, | | | 2424, 2440, 4127, | | | (Used After Code Date |
| | | 0290, 0292, 0294, | | | 4130. | | | 12082600). |
| | | 0297, 0299, 0424, | | | ----- Note ----- | 613 | 691416 | Screw |
| | | 0559, 0806, 1191, | | | 697085 Tube-Dipstick | | | (Muffler) |
| | | 1413, 1583, 1597, | | | Used on Type No(s). | 613A | 691678 | Screw |
| | | 2424. | | | 0026, 0036, 0112, | | | (Muffler) |
| 474C | 592829 | Alternator | | | 0113, 0115, 0116, | 613B | 690297 | Screw |
| | | (5/9 Amp. Regulated | | | 0130, 0132, 0133, | | | (Muffler) |
| | | Or Tri Circuit) | | | 0134, 0135, 0138, | 614 | 691620 | Pin-Cotter |
| 474D | 592830 | Alternator | | | 0140, 0142, 0143, | 616 | 692012 | Crank-Governor |
| | | (10-16 Amp. | | | 0144, 0146, 0150, | 617 | 692138 | Seal-O Ring |
| | | Regulated) | | | 0153, 0157, 0158, | | | (Intake Manifold) |
| | | Used on Type No(s). | | | 0159, 0160, 0161, | 633 | 699813 | Seal-Choke/Throttle |
| | | 0120, 0192, 0201. | | | 0167, 0168, 0174, | | | Shaft |
| 501A | 794360 | Regulator | | | 0176, 0196, 0200, | 633B | 690998 | Seal-Throttle Shaft |
| | | (5/9 Amp.) | | | 0201, 0203, 0205, | | | (Nikki) |
| 501D | 845907 | Regulator | | | 0235, 0238, 0302, | | | (Used Before Code |
| | | (10-16 Amp.) | | | 0303, 0304, 0305, | | | Date 15113000) |
| 503 | 691532 | Strap-Starter | | | 0306, 2144, 2146, | 633C | 594866 | Seal-Choke/Throttle |
| 505 | 691251 | Nut | | | 3026, 3036, 3304, | | | Shaft |
| | | (Governor Control | | | 4133, 4302. | | | (Used After Code Date |
| | | Lever) | 526A | 697088 | Screw | | | 15112900). |
| 510 | 693699 | Drive-Starter | | | (Regulator) | | | (Ruixing) |
| 512 | 796530 | Hose-Oil Drain | 526B | 697348 | Screw | 633D | 594865 | Seal-Choke/Throttle |
| 513 | 692024 | Clutch-Drive | | | (Regulator) | | | Shaft |
| 521 | 690581 | Shield-Cable | 527 | 698467 | Clamp-Tube | | | (Used After Code Date |
| 523 | 699908 | Dipstick | 552 | 697144 | Bushing-Governor | | | 15112900). |
| 524 | 691032 | Seal-Dipstick Tube | | | Crank | | | (Ruixing) |
| | | | 559 | 697561 | Screw | 633E | 797629 | Seal-Choke/Throttle |
| | | | | | (Remote Choke Stop) | | | Shaft |
| | | | 562 | 691119 | Bolt | | | (Ruixing) |
| | | | | | (Governor Control | | | (Used After Code Date |
| | | | | | Lever) | | | 15112900). |
| | | | 563A | 799359 | Screw | 634A | 690802 | Spring/Seal Assembly |
| | | | | | (Debris Guard) | | | (Walbro) |
| | | | 579 | 691029 | Nut | 634B | 698779 | Spring/Seal Assembly |
| | | | | | (Starter Cable) | | | (Nikki) |

Illustrations cover a range of engines. Parts shown without corresponding text may not be used on your specific engine.

31G700

| REF. NO. | PART NO. | DESCRIPTION | REF. NO. | PART NO. | DESCRIPTION | REF. NO. | PART NO. | DESCRIPTION |
|----------|----------|--|----------|----------|--|----------|----------|--|
| 635 | 691909 | Boot-Spark Plug | 801 | 691283 | Cap-Drive | | | ----- Note ----- |
| 643 | 698401 | Retainer-Air Filter | 802 | 691286 | Cap-End | | | 790443 Dipstick/Tube Assembly |
| 652 | 793380 | Screw (Support Bracket) | 823 | 698941 | Screw (Muffler Adapter) | | | Used on Type No(s). 0026, 0036, 0112, 0113, 0115, 0116, 0130, 0132, 0133, 0134, 0135, 0138, 0140, 0142, 0143, 0144, 0146, 0150, 0153, 0157, 0158, 0159, 0160, 0161, 0162, 0167, 0171, 0174, 0176, 0196, 0200, 0201, 0203, 0205, 0235, 0238, 0302, 0303, 0304, 0305, 0306, 2143, 2144, 2146, 3026, 3036, 3304, 4133, 4302. |
| 654 | 690958 | Nut (Carburetor) | 830 | 691095 | Stud-Rocker Arm | | | |
| 676 | 795036 | Deflector-Muffler | 832 | 790293 | Guard-Muffler | | | |
| 676A | 396903 | Deflector-Muffler | 832A | 595029 | Guard-Muffler | | | |
| 677 | 690661 | Screw (Muffler Deflector) | 836 | 691676 | Screw (Muffler Guard) | | | |
| 684 | 697157 | Screw | 836A | 690367 | Screw (Muffler Guard) | | | |
| 689 | 691855 | Spring-Friction | 841 | 796191 | Regulator- Intake Manifold | | | |
| 691 | 692407 | Seal-Governor Shaft | | | Used on Type No(s). 1191. | | | |
| 697 | 791680 | Screw (Drive Cap) | 842 | 691031 | Seal-O Ring (Dipstick Tube) | | | |
| 718 | 690959 | Pin-Locating | 847 | 790442 | Dipstick/Tube Assembly | | | |
| 729 | 691335 | Clip-Wire (Wire Saddle) | | | Used on Type No(s). 0114, 0119, 0120, 0121, 0123, 0125, 0126, 0127, 0128, 0131, 0136, 0139, 0147, 0148, 0149, 0151, 0154, 0155, 0156, 0165, 0166, 0168, 0169, 0172, 0175, 0181, 0191, 0192, 0193, 0194, 0199, 0204, 0253, 0258, 0263, 0290, 0292, 0293, 0294, 0297, 0299, 0300, 0424, 0559, 0720, 0806, 0814, 1191, 1413, 1440, 1583, 1597, 2424, 2440, 4127, 4130. | | | |
| 729A | 691224 | Clip-Wire (Aluminum Coated Steel) | | | | | | |
| 741 | 697128 | Gear-Timing | | | | 850 | 100100 | Sealant-Liquid (Rocker Cover Gasket and Breather Gasket) (Used After Code Date 07071800). |
| 750 | 790832 | Screw (Oil Pump Cover) | | | | 851 | 692424 | Terminal-Spark Plug |
| 757 | 793242 | Link-Counterweight | | | | 852 | 796192 | Seal-O-Ring |
| 758 | 594443 | Counterweight (Used After Code Date 14093000). | | | | 864 | 796002 | Adapter-Muffler (Length 2.25 Inches) |
| | | ----- Note ----- | | | | 868 | 690968 | Seal-Valve |
| | | 793763 Counterweight (Used Before Code Date 14100100 and After Code Date 05100200). | | | | 877 | 393456 | Wire/Connector- Alternator (Dual Circuit) |
| | | 795903 Counterweight (Used Before Code Date 05100300). Used on Type No(s). 0026, 0140. (Must Use Kit 795903, Includes Sump And Counterweight). | | | | 877A | 393814 | Wire/Connector- Alternator (DC Only) |
| | | 795938 Counterweight (Used Before Code Date 05100300). (Must Use Kit 795938, Includes Sump And Counterweight). | | | | 877C | 399916 | Wire/Connector- Alternator (10-16 Amp. Regulated) |
| 759 | 697392 | Pin-Counterweight | | | | 877D | 790544 | Wire/Connector- Alternator |
| 773 | 796448 | Retainer | | | | 878 | 398661 | Harness-Alternator (Dual Circuit) |
| 783 | 593935 | Gear-Pinion | | | | 878A | 691955 | Harness-Alternator (Tri Circuit) |
| 789 | 698329 | Harness-Wiring | | | | 883 | 692236 | Gasket-Exhaust |
| 789B | 692037 | Harness-Wiring | | | | 884 | 691956 | Clamp-Muffler |
| 797 | 693167 | Nut (Brush Retainer) | | | | 914 | 691108 | Screw (Rocker Cover) |
| | | | | | | 918 | 791851 | Hose-Vacuum |
| | | | | | | 943 | 690589 | Seal-O Ring (Oil Pump Cover) |

Illustrations cover a range of engines. Parts shown without corresponding text may not be used on your specific engine.
5164-17 Assemblies include all parts shown in frames. **02/15/2016**

31G700

| REF. NO. | PART NO. | DESCRIPTION | REF. NO. | PART NO. | DESCRIPTION | REF. NO. | PART NO. | DESCRIPTION |
|----------|----------|---|----------|----------|---|----------|----------|---|
| 947 | 694393 | Solenoid-Fuel (Walbro) | 987 | 691326 | Seal-Throttle Shaft (Walbro) | 1023 | 797421 | Cover-Rocker |
| 947A | 699915 | Solenoid-Fuel (Nikki) (Used Before Code Date 15113000) | 994 | 794945 | Arrestor-Spark Used on Type No(s). 0140. | 1024A | 794644 | Pump-Oil |
| 947B | 846639 | Solenoid-Fuel (Ruixing) (Used After Code Date 15112900). | 1005 | 796083 | Fan-Flywheel ----- Note ----- 796083 Fan-Flywheel (Used After Code Date 07040800). Used on Type No(s). 0026, 0036, 0112, 0113, 0114, 0116, 0119, 0120, 0123, 0151, 0165, 0172, 0181, 0191, 0192, 0193, 0196, 0199. | 1026 | 692003 | Rod-Push (Intake) ----- Note ----- 692011 Rod-Push (Exhaust) |
| 949A | 799358 | Guard-Debris Screen | | | | 1027 | 492932s | Filter-Oil (Standard) ----- Note ----- 696854 Filter-Oil (Premium) |
| 950 | 691657 | Screw-Float Bowl | | | | 1029 | 691751 | Arm-Rocker |
| 958 | 698183 | Valve-Fuel Shut Off (Plastic) | | | | 1032 | 491710 | Ball-Oil Pump |
| 964 | 799159 | Cap-Connector | | | | 1034 | 690822 | Guide-Push Rod |
| 965 | 499613 | Cover-Oil Pump | | | | 1036 | | Label-Emissions (Available From A Briggs & Stratton Authorized Dealer) |
| 967 | 697015 | Filter-Pre Cleaner | | | | 1036A | | Label-Emissions (Available From A Briggs & Stratton Authorized Dealer) |
| 967B | 797704 | Filter-Pre Cleaner Used on Type No(s). 4302. | | | | 1040B | 699852 | Plate-Trim |
| 968 | 698403 | Cover-Air Cleaner (Black-Compatible With Panel Style Filter) ----- Note ----- 697446 Cover-Air Cleaner (Red) (Compatible With Panel Style Filter) | | | | 1044 | 698139 | Screw (Flywheel) |
| 968B | 591647 | Cover-Air Cleaner (Black-Compatible With Canister Style Filter) Used on Type No(s). 0148, 0150, 0153, 0154, 0155, 0156, 0157, 0158, 0159, 0160, 0161, 0162, 0171, 0174, 0175, 0176, 0194, 0203, 0204, 0205, 0235, 0238, 0305, 0306, 1583, 1597, 2143, 2144, 2146, 2424, 2440, 3026, 3036, 3304, 4127, 4130, 4133, 4302. | 1005A | 796201 | Fan-Flywheel (Used Before Code Date 07040900 and After Code Date 04091900). Used on Type No(s). 0026, 0036, 0112, 0113, 0114, 0116, 0119, 0120, 0123, 0151, 0165, 0172, 0181, 0191, 0192, 0193, 0196, 0199. | 1051 | 691265 | Ring-Retaining |
| 975 | 495933 | Bowl-Float (Walbro) | | | | 1054 | 280275 | Tie-Cable |
| 975A | 699502 | Bowl-Float (Nikki) (Used Before Code Date 15113000) | | | | 1059 | 698516 | Kit-Screw/Washer |
| 975B | 594867 | Bowl-Float (Ruixing) (Used After Code Date 15112900). | 1005B | | Fan-Flywheel (No Longer Available) (See Reference 1005A For Service Flywheel Fan). | 1070 | 791680 | Screw (Flywheel Fan) (Used Before Code Date 07040900). |
| | | | | | | 1070A | 690363 | Screw (Flywheel Fan) (Used Before Code Date 08061000 and After Code Date 07040800). |
| | | | | | | 1090 | 691293 | Retainer-Brush |
| | | | | | | 1091 | 691333 | Cap-Limiter |
| | | | | | | 1095 | 794152 | Gasket Set-Valve |
| | | | | | | 1119 | 691183 | Screw (Alternator) |
| | | | | | | 1127 | 695407 | Screw (Float Bowl) |
| | | | | | | 1139 | 796449 | Washer |
| | | | | | | 1263 | 697124 | Reed-Breather |
| | | | | | | 1264 | 697104 | Screw (Breather Reed) |
| | | | | | | 1266 | 691917 | Seal-O Ring (Intake Elbow) |
| | | | 1017 | 796981 | Screen-Oil Pump (Push In) | | | |
| | | | 1022 | 272475s | Gasket-Rocker Cover (Used Before Code Date 07091000). (After Date Code Use Liquid Sealant Reference 850) | | | |

Illustrations cover a range of engines. Parts shown without corresponding text may not be used on your specific engine.
 5164-18 Assemblies include all parts shown in frames. 02/15/2016

31G700

| REF. NO. | PART NO. | DESCRIPTION | REF. NO. | PART NO. | DESCRIPTION | REF. NO. | PART NO. | DESCRIPTION |
|----------|----------|--|----------|----------|------------------------------|----------|----------|-------------|
| 1266A | 697123 | Seal-O Ring (Intake Elbow) | 1270 | 793243 | Plug-AVS Counterweight | | | |
| 1267 | 697419 | Latch-Blower Housing (Used After Code Date 04071900). | 1319 | 794467 | Label-Warning | | | |
| | | ----- Note ----- 697662 Latch-Blower Housing (Used Before Code Date 04092000). | 1448 | 690260 | Washer (Magneto Armature) | | | |

Not for
Reproduction

Not for
Reproduction

