

126T00

Illustrated Parts List

Model Series

126T00

TYPE NUMBERS

0001, 0002, 0004, 0005, 0005, 0006, 0007, 0008, 0009, 0010, 0011, 0012, 0015, 0016, 0018, 0019, 0020, 0021, 0022, 0023, 0024, 0025, 0026, 0027, 0028, 0029, 0030, 0031, 0032, 0033, 0035, 0036, 0037, 0039, 0040, 0050, 0051, 0060, 0062, 0063, 0064, 0065, 0068, 0069, 0072, 0073, 0074, 0075, 0078, 0101, 0114, 0115, 0116, 0117, 0121, 0122, 0123, 0124, 0125, 0126, 0127, 0128, 0129, 0130, 0131, 0132, 0133, 0134, 0135, 0138, 0139, 0140, 0143, 0144, 0145, 0146, 0147, 0148, 0150, 0151, 0153, 0154, 0155, 0158, 0159, 0161, 0162, 0163, 0164, 0165, 0166, 0168, 0169, 0171, 0172, 0173, 0174, 0175, 0176, 0177, 0179, 0180, 0181, 0182, 0183, 0184, 0187, 0188, 0190, 0191, 0192, 0193, 0194, 0196, 0197, 0198, 0199, 0200, 0201, 0203, 0204, 0206, 0207, 0208, 0209, 0213, 0215, 0216, 0217, 0218, 0219, 0220, 0221, 0222, 0224, 0225, 0226, 0227, 0230, 0231, 0233, 0234, 0235, 0236, 0237, 0238, 0239, 0240, 0241, 0242, 0243, 0244, 0245, 0246, 0247, 0248, 0251, 0252, 0253, 0254, 0255, 0256, 0257, 0258, 0260, 0261, 0262, 0263, 0263, 0264, 0265, 0266, 0267, 0268, 0271, 0272, 0275, 0276, 0277, 0278, 0279, 0280, 0281, 0282, 0283, 0284, 0285, 0286, 0287, 0288, 0289, 0290, 0291, 0294, 0295, 0297, 0298, 0299, 0301, 0302, 0303, 0304, 0305, 0306, 0307, 0308, 0309, 0310, 0311, 0312, 0313, 0315, 0316, 0317, 0318, 0319, 0321, 0322, 0323, 0324, 0325, 0326, 0327, 0328, 0329, 0330, 0331, 0332, 0333, 0334, 0335, 0336, 0338, 0339, 0340, 0341, 0342, 0343, 0344, 0349, 0351, 0355, 0356, 0357, 0359, 0362, 0363, 0364, 0365, 0366, 0367, 0368, 0369, 0370, 0372, 0373, 0374, 0375, 0376, 0377, 0378, 0379, 0380, 0381, 0383, 0384, 0385, 0389, 0390, 0391, 0392, 0393, 0394, 0395, 0396, 0397, 0398, 0399, 0400, 0401, 0402, 0403, 0404, 0406, 0407, 0408, 0409, 0411, 0412, 0413, 0415, 0416, 0454, 0454, 0475, 0475, 0479, 0479, 0480, 0487, 0491, 0521, 0523, 0538, 0539, 0548, 0555, 0568, 0615, 0615, 0625, 0660, 0662, 0675, 0677, 0678, 0680, 0709, 0761, 0763, 0782, 0795, 0826, 0841, 0842, 0849, 0856, 0863, 0867, 0875, 0878, 0880, 0890, 0893, 0909, 0932, 0933, 0951, 0957, 0985, 0992, 0998, 0999, 1003, 1006, 1009, 1024, 1037, 1044, 1045, 1047, 1055, 1064, 1070, 1071, 1111, 1133, 1135, 1136, 1137, 1155, 1163, 1164, 1172, 1184, 1225, 1229, 1241, 1242, 1252, 1297, 1298, 1343, 1346, 1347, 1349, 1350, 1377, 1378, 1380, 1394, 1395, 1401, 1426, 1435, 1443, 1446, 1525, 1527, 1561, 1576, 1586, 1594, 1601, 1616, 1624, 1701, 1706, 1724, 1727, 1728, 1729, 1733, 1734, 1737, 1738, 1739, 1740, 1742, 1746, 1748, 1749, 1750, 1767, 1791, 1794, 1801, 1802, 1803, 1804, 1805, 1807, 1808, 1810, 1814, 1816, 1817, 1818, 1820, 1821, 1822, 1823, 1824, 1825, 1826, 1827, 1829, 1830, 1831, 1832, 1833, 1835, 1837, 1839, 1840, 1841, 1844, 1845, 1846, 1847, 1849, 1850, 1851, 1852, 1853, 1904, 1914, 1917, 1926, 1941, 1958, 1963, 1965, 1966, 1992, 1995, 2003, 2004, 2006, 2008, 2010, 2011, 2012, 2013, 2014, 2015, 2016, 2017, 2021, 2022, 2023, 2027, 2034, 2035, 2041, 2148, 2149, 2304, 2388, 3139, 3140, 3198, 3205, 3206, 3212, 3216, 3217, 3279, 3280, 3281, 3709, 3761, 3763, 3841, 3842, 3842, 3849, 4011, 4015, 4021, 4121, 4132, 4135, 4148, 4150, 4151, 4162, 4163, 4164, 4168, 4169, 4171, 4175, 4181, 4183, 4184, 4199, 4216, 4219, 4226, 4231, 4233, 4236, 4238, 4240, 4241, 4242, 4244, 4248, 4329, 4568, 4678, 4680, 4706, 4810, 4816, 4823, 4824, 4825, 4829, 4830, 4837, 4849, 4852, 4995, 5062, 5123, 5132, 5184, 5207, 5208, 5213, 5216, 5217, 5219, 5226, 5238, 5239, 5240, 5244, 5248, 5252, 5262, 5264, 5266, 5285, 5313, 5322, 5323, 5324, 5329, 5332, 5349, 5373, 5394, 5395, 5400, 5426, 5507, 5517, 5519, 5522, 5523, 5524, 5540, 5563, 5566, 5573, 5584, 5585, 5594, 5678, 5823, 5856, 6015, 6021, 6126, 6135, 6150, 6151, 6155, 6169, 6172, 6175, 6194, 6198, 6199, 6217, 6218, 6229, 6235, 6241, 6242, 6243, 6244, 6246, 6254, 6258, 6275, 6276, 6277, 6280, 6281, 6286, 6307, 6317, 6319, 6333, 6336, 6339, 6356, 6357, 6367, 6375, 6539, 6603, 6610, 6615, 6621, 6623, 6628, 6657, 6659, 6679, 6680, 6683, 6694, 6695, 6706, 6816, 6824, 6825, 6829, 6830, 6837, 6845, 6849, 6941, 7128, 7129, 7174, 7177, 7183, 7193, 7196, 7206, 7212, 7215, 7216, 7233, 7241, 7242, 7261, 7263, 7268, 7272, 7278, 7287, 7288, 7304, 7305, 7306, 7308, 7310, 7315, 7316, 7325, 7326, 7330, 7338, 7340, 7341, 7344, 7351, 7355, 7366, 7368, 7369, 7374, 7380, 7381, 7403, 7404, 7435, 7594, 7841, 7852, 7878, 7932.

PRINTED IN U.S.A.



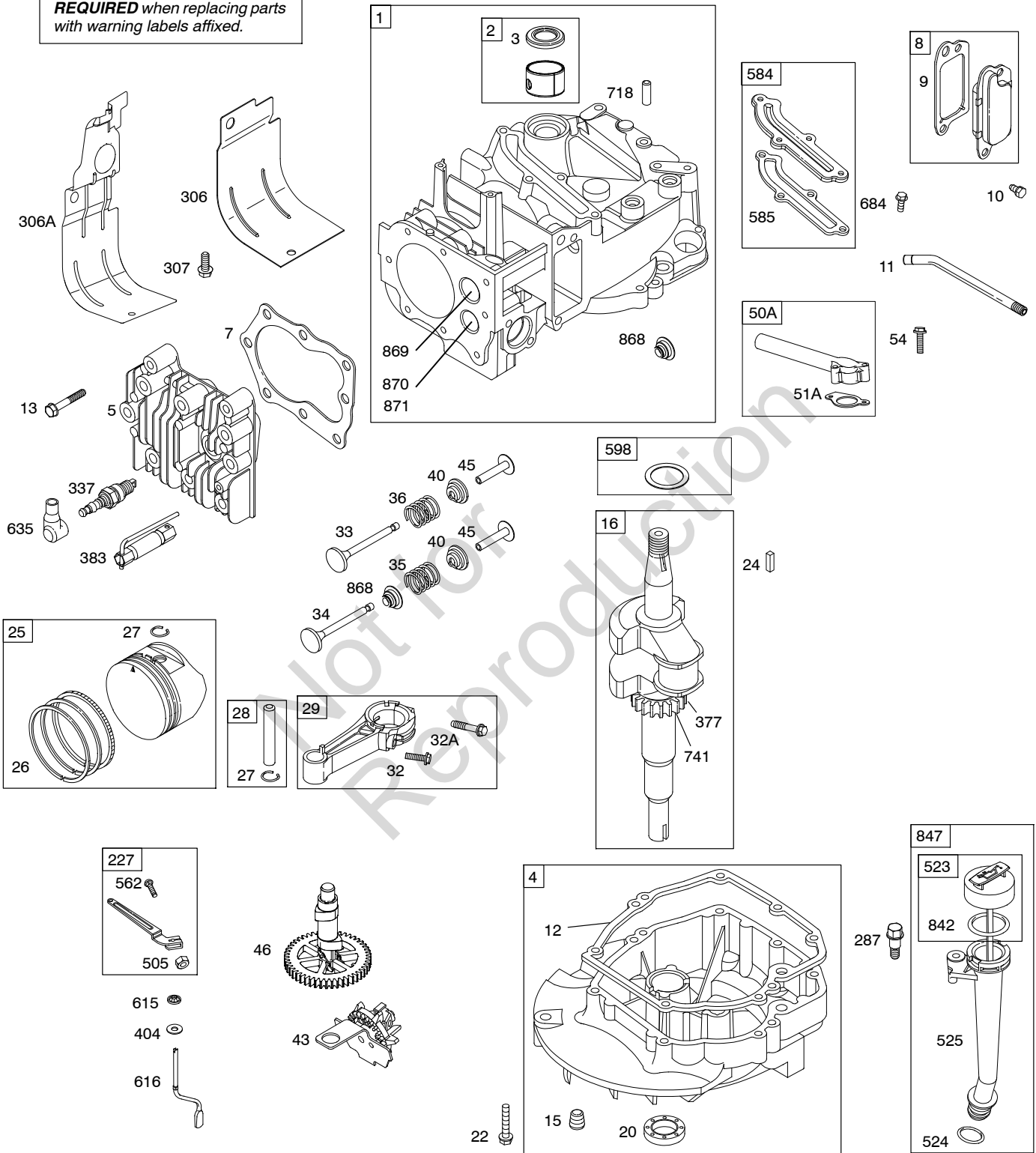
COPYRIGHT by BRIGGS & STRATTON CORPORATION
All rights reserved. No part of this material may be reproduced or transmitted, in any form or by any means, electronic or mechanical, including photocopying, recording or by any information storage and retrieval system, without permission in writing from Briggs & Stratton Corporation.

126T00

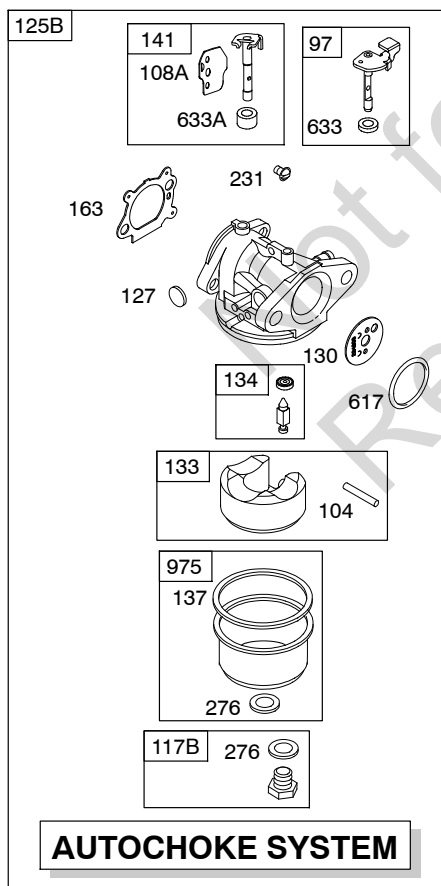
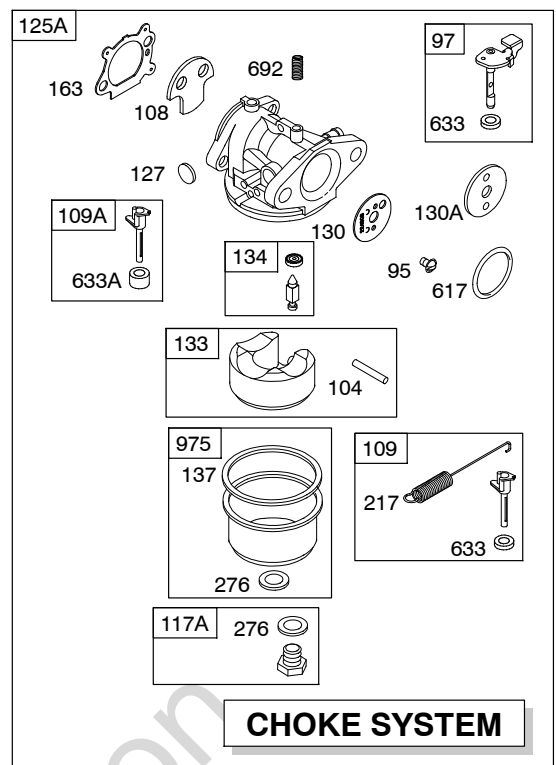
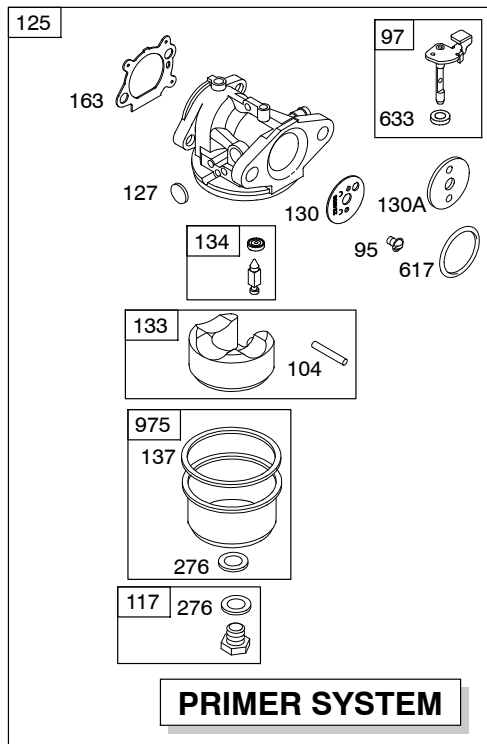
1319 WARNING LABEL

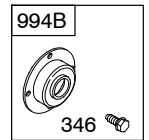
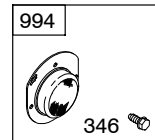
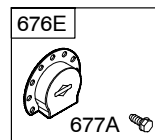
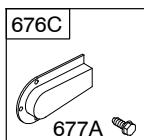
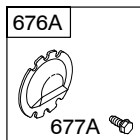
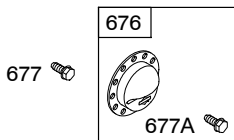
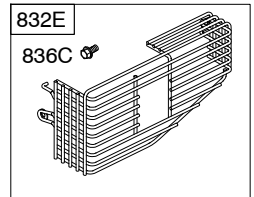
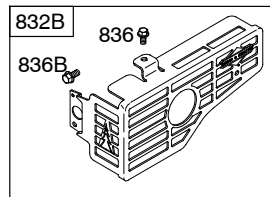
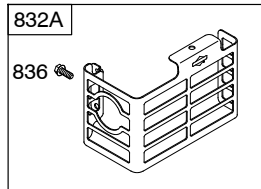
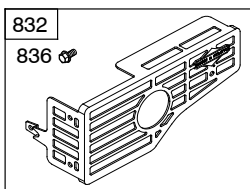
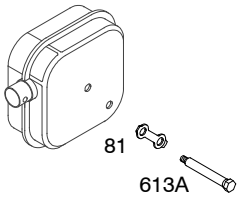
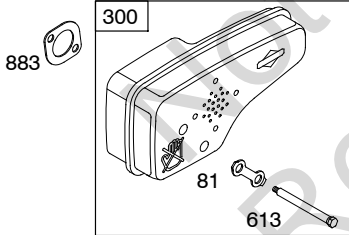
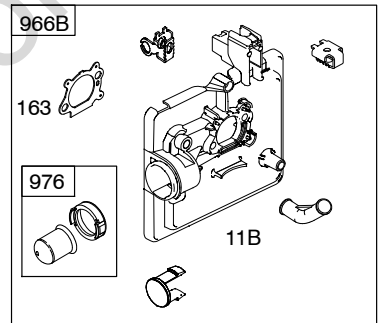
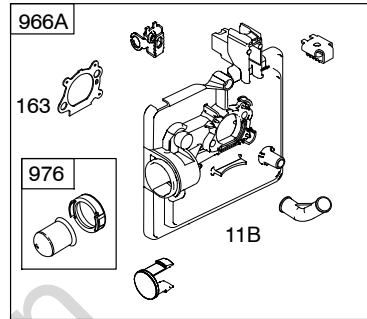
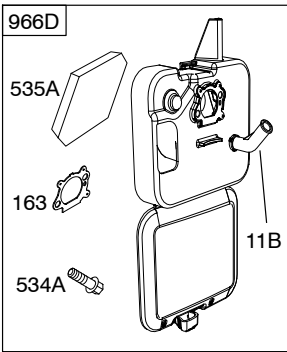
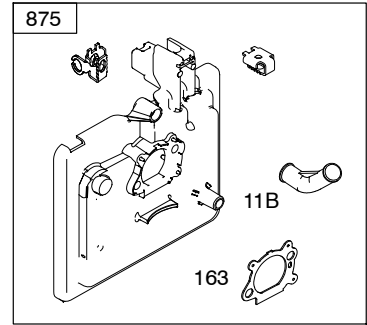
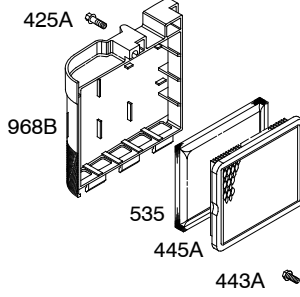
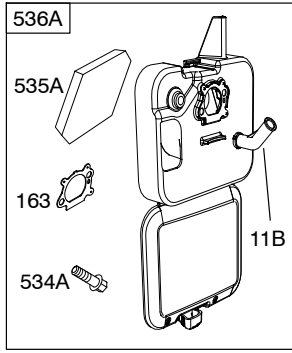
REQUIRED when replacing parts with warning labels affixed.

1330 REPAIR MANUAL

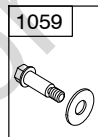
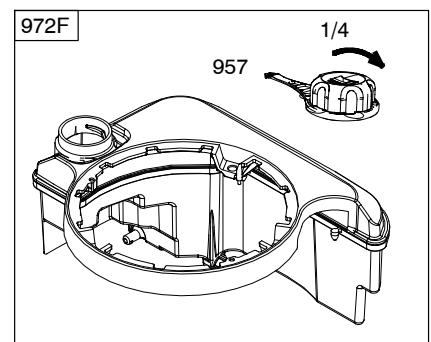
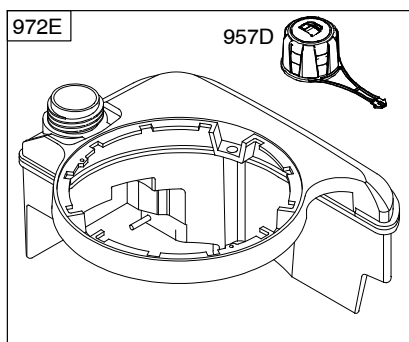
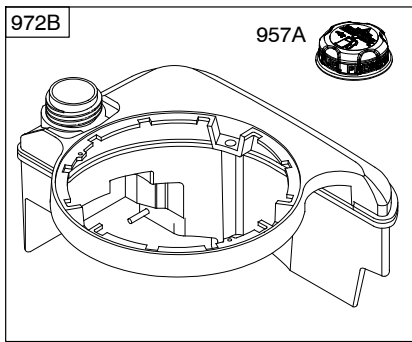
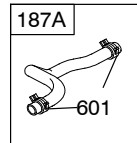
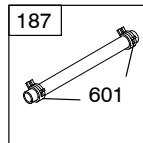
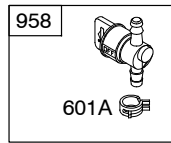
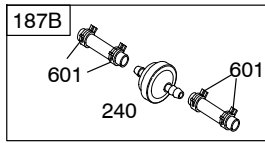


Illustrations cover a range of engines. Parts shown without corresponding text may not be used on your specific engine.
 3728-2 Assemblies include all parts shown in frames. 02/29/2016



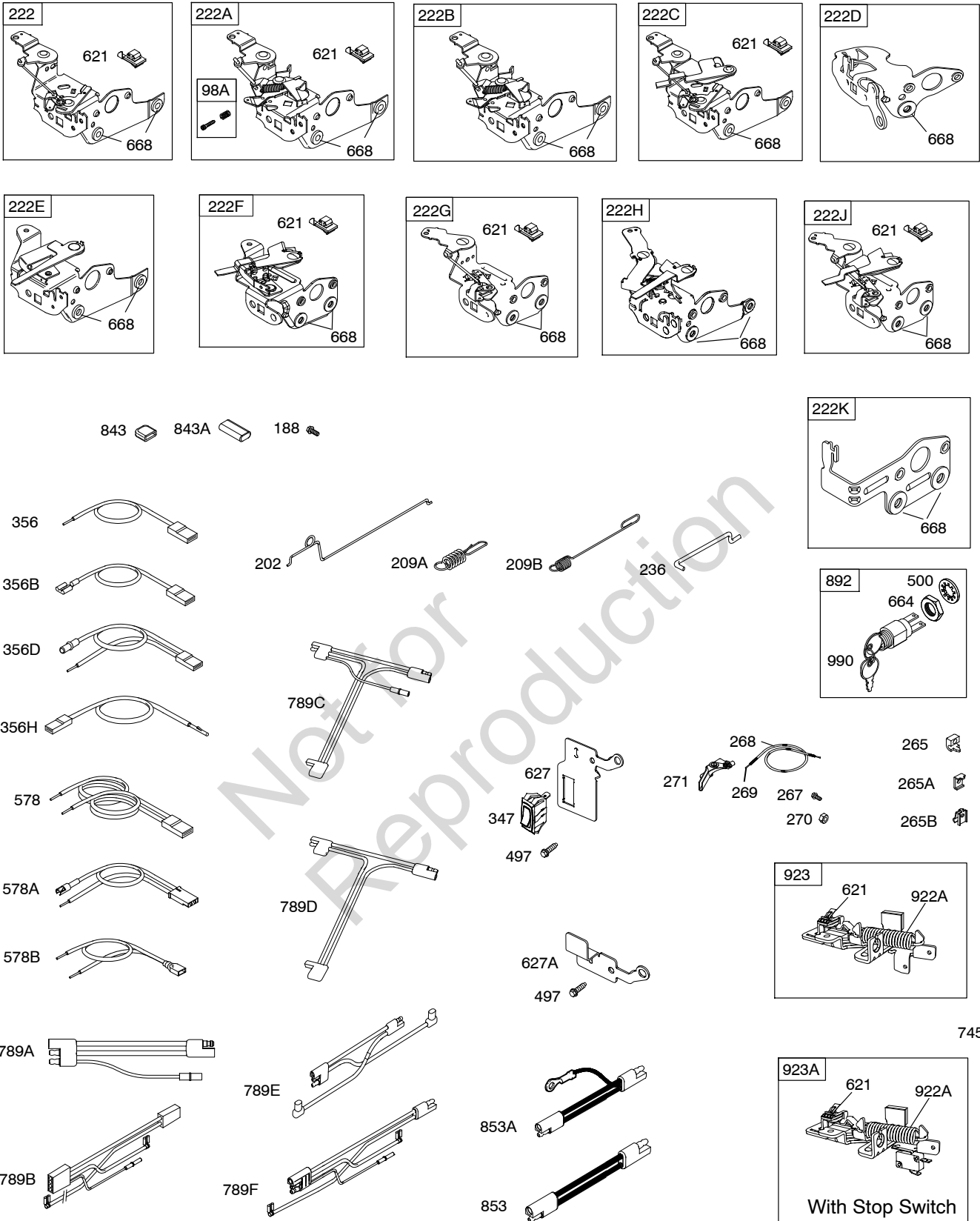


Illustrations cover a range of engines. Parts shown without corresponding text may not be used on your specific engine.
 3728-4 Assemblies include all parts shown in frames. 02/29/2016

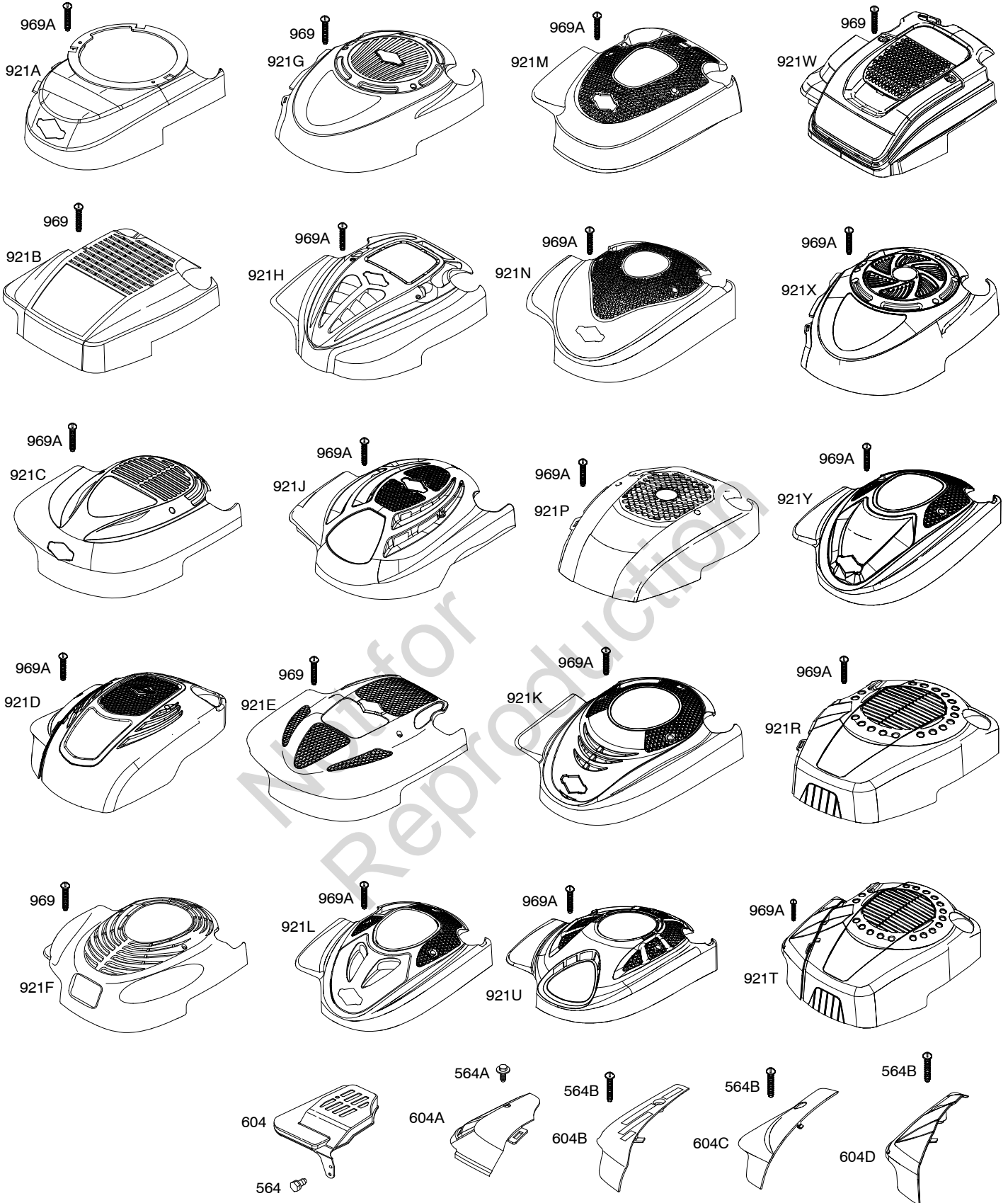


Not for
Reproduction

126T00

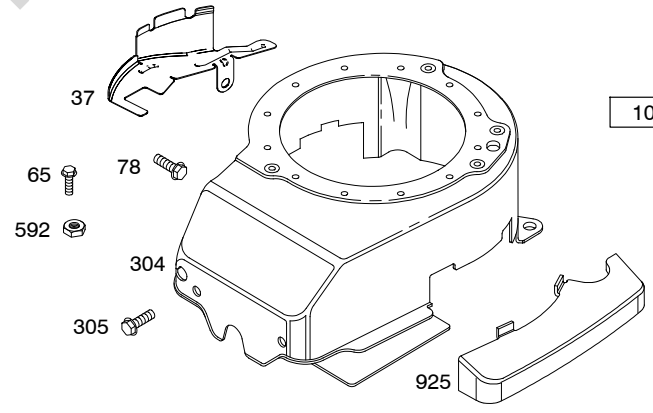
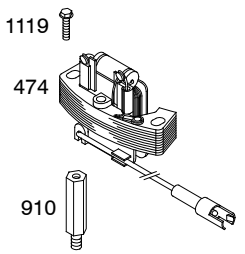
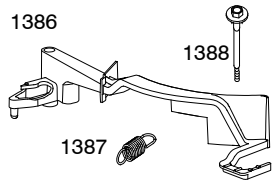
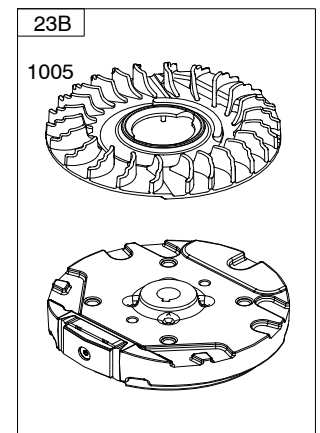
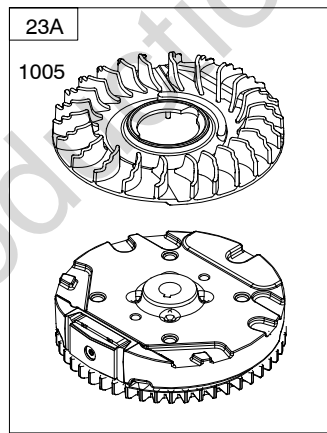
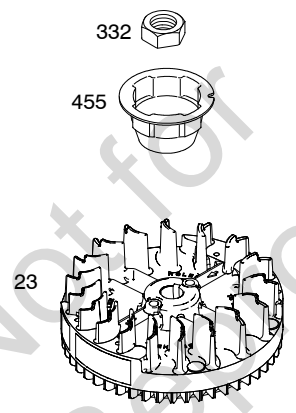
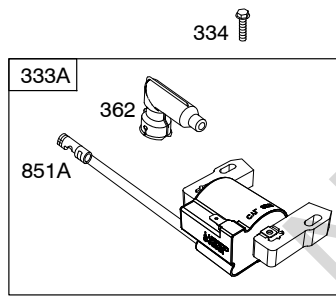
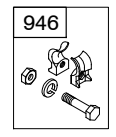
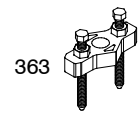
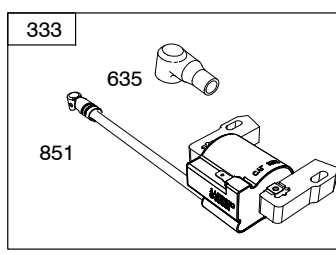
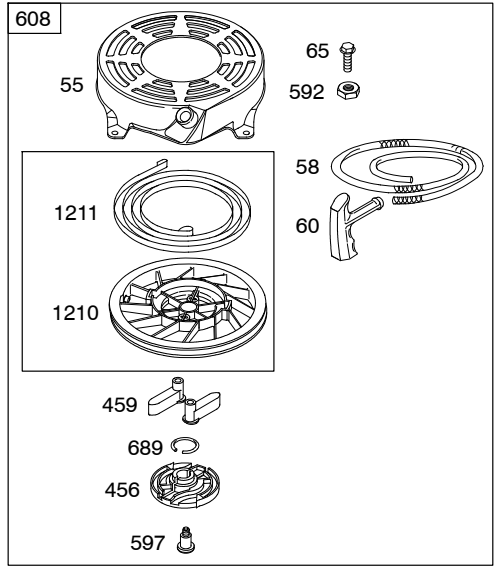
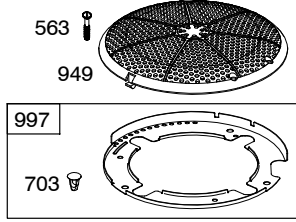
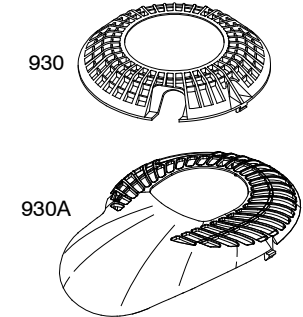


Illustrations cover a range of engines. Parts shown without corresponding text may not be used on your specific engine.
3728-6 Assemblies include all parts shown in frames. **02/29/2016**



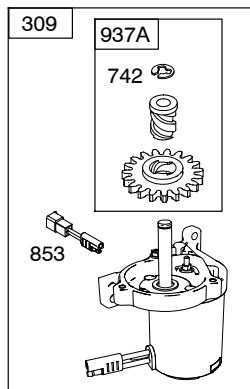
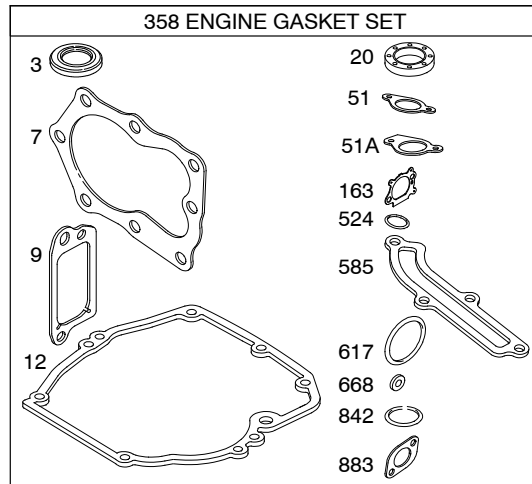
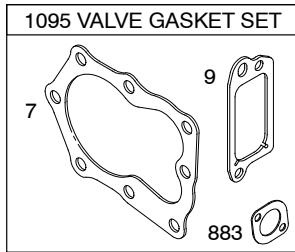
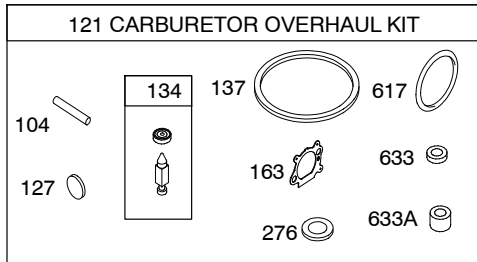
Illustrations cover a range of engines. Parts shown without corresponding text may not be used on your specific engine.
3728-7 Assemblies include all parts shown in frames. **02/29/2016**

126T00

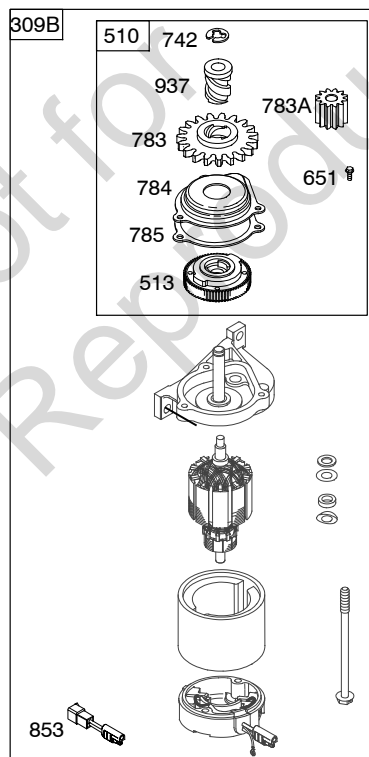


1036 EMISSIONS LABEL

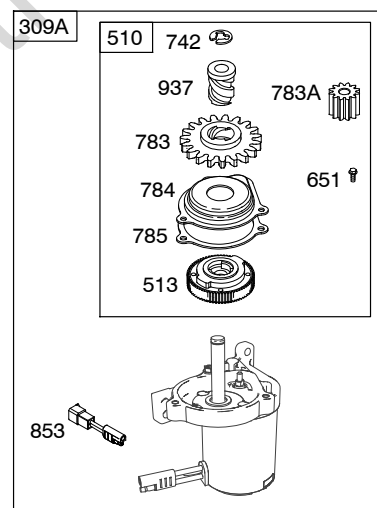
Illustrations cover a range of engines. Parts shown without corresponding text may not be used on your specific engine.
 3728-8 Assemblies include all parts shown in frames. 02/29/2016



697



853



853

126T00

REF. NO.	PART NO.	DESCRIPTION	REF. NO.	PART NO.	DESCRIPTION	REF. NO.	PART NO.	DESCRIPTION
1	592645	Cylinder Assembly			6333, 6336, 6339,	16	797017	Crankshaft
2	796961	Kit-Bushing/Seal (Magneto Side)			6356, 6357, 6367,		797372	Crankshaft
3	299819s	Seal-Oil (Magneto Side)			6375, 6539, 6615,			Used on Type No(s).
4	493279	Sump-Engine			6680, 6706, 6816,			0005, 0012, 0020,
		----- Note -----			6824, 6825, 6829,			0027, 0114, 0128,
		498983 Sump-Engine			6830, 6837, 6845,			0129, 0130, 0131,
		Used on Type No(s).			6849, 6941, 7128,			0179, 0188, 0191,
		0006, 0007, 0122,			7129, 7174, 7177,			0260, 0295, 0301,
		0394.			7183, 7193, 7196,			0304, 0305, 0321,
5	590411	Head-Cylinder (Used After Code Date 11063000).			7206, 7212, 7215,			0342, 0343, 0344,
		----- Note -----			7216, 7233, 7241,			0356, 2013, 7128,
		594989 Head-Cylinder			7242, 7261, 7263,			7129, 7304, 7305,
		(Used Before Code Date 11070100).			7268, 7272, 7278,			7344.
		----- Note -----			7287, 7288, 7304,			694850 Crankshaft
		594989 Head-Cylinder			7305, 7306, 7308,			Used on Type No(s).
		(Used Before Code Date 11070100).			7310, 7315, 7316,			0289, 0298.
7	799875	Gasket-Cylinder Head (Used After Code Date 11063000).			7325, 7326, 7330,			696290 Crankshaft
		----- Note -----			7338, 7340, 7341,			Used on Type No(s).
		692249 Gasket- Cylinder Head			7344, 7351, 7355,			0297, 0335, 0411.
		(Used Before Code Date 11070100).			7355, 7366, 7368,			590808 Crankshaft
		----- Note -----			7369, 7374, 7380,			Used on Type No(s).
		692249 Gasket- Cylinder Head			7381, 7403, 7404,			0190, 0222, 0256,
		(Used Before Code Date 11070100).			7435, 7594, 7841,			0261, 0326, 0330,
		799874 Gasket- Cylinder Head			7852, 7878, 7932,			0331, 0332, 0374,
		Used on Type No(s).			6683.			0379, 0403, 5332,
		0001, 0002, 0009,	8	590395	Breather Assembly			7261, 7326, 7330,
		0012, 0020, 0021,	9	699833	Gasket-Breather			7374, 7403.
		0022, 0023, 0024,	10	691125	Screw			590807 Crankshaft
		0028, 0032, 0035,			(Breather Assembly)			Used on Type No(s).
		0033, 0036, 0037,	11	691781	Tube-Breather			0031, 0115, 0123,
		0039, 0040, 0051,	11B	691923	Tube-Breather			0124, 0125, 0139,
		0063, 0064, 0065,	12	692232	Gasket-Crankcase			0181, 0182, 0183,
		0068, 0069, 0072,	13	590422	Screw			0184, 0193, 0204,
		0073, 0074, 0075,			(Cylinder Head)			0206, 0207, 0216,
		0377, 0383, 0385,			(Used After Code Date 11063000).			0219, 0220, 0224,
		0389, 0390, 0391,			----- Note -----			0231, 0233, 0236,
		0392, 0393, 0394,			690912 Screw			0240, 0241, 0271,
		0396, 0397, 0398,			(Cylinder Head)			0299, 0325, 0327,
		0399, 0406, 0408,			(Used Before Code Date 11070100).			0328, 0336, 0933,
		0409, 0411, 0415,			----- Note -----			1426, 1840, 1841,
		0480, 0957, 0998,	15	690946	Plug-Oil Drain			3205, 3206, 3212,
		1616, 6015, 6021,			(External 7/16" Sq)			4181, 4183, 4216,
		6126, 6135, 6150,			----- Note -----			4219, 4231, 4233,
		6151, 6155, 6169,			691680 Plug-Oil,			4236, 4241, 5123,
		6172, 6175, 6194,			Drain			5207, 5219, 5507,
		6198, 6199, 6217,			(Internal 3/8" Square Socket)			5519, 6336, 6628,
		6218, 6229, 6235,						7183, 7193, 7206,
		6241, 6242, 6243,						7212, 7216, 7233,
		6246, 6254, 6258,						7241, 7325, 7841.
		6275, 6276, 6277,						
		6280, 6281, 6286,						
		6307, 6317, 6319,						

REF. NO.	PART NO.	DESCRIPTION	REF. NO.	PART NO.	DESCRIPTION	REF. NO.	PART NO.	DESCRIPTION
	797018	Crankshaft Used on Type No(s). 0002, 0004, 0008, 0009, 0010, 0011, 0015, 0028, 0029, 0032, 0035, 0036, 0037, 0050, 0060, 0064, 0065, 0072, 0074, 0078, 0121, 0135, 0138, 0148, 0153, 0158, 0159, 0159, 0169, 0172, 0173, 0192, 0194, 0197, 0199, 0203, 0213, 0217, 0235, 0243, 0253, 0254, 0258, 0275, 0276, 0278, 0279, 0281, 0284, 0286, 0291, 0294, 0307, 0309, 0312, 0313, 0318, 0319, 0329, 0332, 0339, 0341, 0349, 0359, 0365, 0366, 0377, 0380, 0381, 0383, 0385, 0396, 0407, 0409, 0413, 0416, 0454, 0475, 0479, 0487, 0491, 0555, 0615, 0660, 0826, 0998, 0999, 1064, 1172, 1724, 1728, 1729, 1750, 1767, 1791, 1802, 1807, 1817, 1820, 1822, 1824, 1833, 1963, 2003, 2004, 2011, 2016, 2021, 2022, 2034, 2041, 2091, 2388, 3281, 4011, 4021, 4121, 4175, 4199, 4244, 4329, 4568, 4824, 4852, 5213, 5244, 5313, 5329, 5332, 6021, 6135, 6172, 6194, 6199, 6217, 6235, 6243, 6244, 6254, 6258, 6275, 6276, 6281, 6286, 6307, 6319, 6339, 6615, 6824, 7278, 7341, 7366, 7852.		797019	Crankshaft Used on Type No(s). 0007, 0016, 0022, 0023, 0051, 0063, 0068, 0073, 0075, 0122, 0126, 0127, 0147, 0150, 0151, 0154, 0163, 0164, 0168, 0198, 0218, 0221, 0242, 0246, 0255, 0257, 0262, 0277, 0279, 0280, 0282, 0290, 0306, 0311, 0317, 0333, 0357, 0364, 0367, 0370, 0375, 0389, 0402, 0415, 0480, 0568, 0680, 0878, 1727, 1733, 1734, 1737, 1738, 1739, 1740, 1748, 1749, 1794, 1801, 1803, 1804, 1805, 1808, 1810, 1814, 1816, 1818, 1821, 1823, 1825, 1826, 1827, 1829, 1830, 1831, 1832, 1835, 1837, 1839, 1844, 1845, 1846, 1847, 1849, 1852, 1853, 1904, 1914, 1917, 1926, 1941, 1958, 1965, 1966, 1992, 1995, 2006, 2008, 2010, 2112, 2014, 2015, 2017, 2023, 2027, 2035, 2148, 2149, 2304, 3198, 3279, 3280, 4015, 4135, 4163, 4164, 4169, 4242, 4680, 4810, 4816, 4823, 4825, 4829, 4830, 4837, 4849, 4995, 5262, 5823, 6126, 6169, 6198, 6218, 6242, 6277, 6280, 6317, 6333, 6357, 6367, 6375, 6621, 6623, 6657, 6679, 6680, 6695, 6816, 6825, 6829, 6830, 6837, 6845, 6849, 6941, 7306, 7878.		797020	Crankshaft Used on Type No(s). 0001, 0024, 0026, 0283, 0539, 1706, 4706, 6246, 6539, 6683, 6706. 797681 Crankshaft Used on Type No(s). 0006, 0018, 0040, 0334, 0523, 6356. 791061 Crankshaft Used on Type No(s). 0030, 0116, 0209, 0225, 0227, 0230, 0234, 0237. 694478 Crankshaft Used on Type No(s). 0521, 0538. 694079 Crankshaft Used on Type No(s). 1701. 20 399781s Seal-Oil (PTO Side) 22 691092 Screw (Crankcase Cover/Sump) 23 691987 Flywheel 23A 591282 Flywheel Used on Type No(s). 0019, 0050, 0116, 0213, 0222, 0234, 0313, 0332, 0349, 0407, 5213, 5313, 5332.

126T00

REF. NO.	PART NO.	DESCRIPTION	REF. NO.	PART NO.	DESCRIPTION	REF. NO.	PART NO.	DESCRIPTION	
23B	790536	Flywheel Used on Type No(s). 0004, 0005, 0006, 0007, 0010, 0020, 0030, 0039, 0040, 0051, 0065, 0073, 0114, 0122, 0128, 0129, 0130, 0131, 0164, 0169, 0179, 0188, 0190, 0191, 0192, 0198, 0209, 0225, 0227, 0230, 0237, 0242, 0256, 0258, 0260, 0261, 0277, 0281, 0282, 0289, 0295, 0297, 0298, 0301, 0304, 0305, 0309, 0312, 0317, 0321, 0326, 0330, 0331, 0334, 0335, 0342, 0343, 0344, 0364, 0365, 0366, 0374, 0375, 0379, 0385, 0389, 0394, 0396, 0398, 0403, 0411, 0523, 0826, 0878, 1064, 1137, 1377, 1378, 1380, 1729, 1750, 1802, 1807, 1817, 1822, 1824, 1849, 1941, 2013, 2016, 3198, 3281, 4164, 4242, 4824, 4849, 6198, 6242, 6258, 6277, 6281, 6317, 6375, 6824, 6849, 6941, 7128, 7129, 7261, 7304, 7305, 7326, 7330, 7344, 7366, 7374, 7380, 7403, 7878.							
24	222698s	Key-Flywheel							
25	590404	Piston Assembly (Standard) (Used After Code Date 07090300). ----- Note ----- 799063 Piston Assembly (Standard) (Used Before Code Date 07090400).	26	590402	Ring Set (Standard) (Used After Code Date 11063000). ----- Note ----- 797304 Ring Set (Standard) (Used After Code Date 09041600 and Before Code Date 11070100). (No Longer Available) (For Service use 590404 Piston Assy) 795431 Ring Set (Standard) (Used After Code Date 07090300 and Before Code Date 09041700). 791098 Ring Set (Standard) (Used Before Code Date 07090400). 590403 Ring Set (.020" Oversize) (Used After Code Date 11063000). 797305 Ring Set (.020" Oversize) (Used After Code Date 09041600 and Before Code Date 11070100). 795432 Ring Set (.020" Oversize) (Used After Code Date 07090300 and Before Code Date 09041700). 791324 Ring Set (.020" Oversize) (Used Before Code Date 07090400).	27	691588	Lock-Piston Pin (Used After Code Date 09041600). ----- Note ----- 691866 Lock-Piston Pin (Used Before Code Date 09041700).	
						28	298909	Pin-Piston (Used After Code Date 09041600). ----- Note ----- 499423 Pin-Piston (Used Before Code Date 09041700).	
						29	797306	Rod-Connecting (Used After Code Date 09041600). ----- Note ----- 590406 Rod- Connecting (Used Before Code Date 09041700).	
						32	691664	Screw (Connecting Rod)	
						32A	695759	Screw (Connecting Rod)	
						33	590394	Valve-Exhaust	
						34	590393	Valve-Intake	
						35	691270	Spring-Valve (Intake)	
						36	691270	Spring-Valve (Exhaust)	
						37	793756	Guard-Flywheel	
						40	692194	Retainer-Valve	
						43	691997	Slinger-Governor/Oil ----- Note ----- 691486 Slinger- Governor/Oil Used on Type No(s). 0020, 0321.	
						45	690548	Tappet-Valve	
						46	691449	Camshaft	
						50A	794305	Manifold-Intake	
						51	272199s	Gasket-Intake	
						51A	794306	Gasket-Intake	
						54	691650	Screw (Intake Manifold)	

REF. NO.	PART NO.	DESCRIPTION	REF. NO.	PART NO.	DESCRIPTION	REF. NO.	PART NO.	DESCRIPTION
55	691421	Housing-Rewind Starter	117	498978	Jet-Main (Standard)		797574	Jet-Main (Standard)
58	697316	Rope-Starter (Cut To Required Length)			----- Note -----			Used on Type No(s).
		----- Note -----			692677 Jet-Main (Standard)			0009, 0040, 0063, 0411, 3198, 3279, 3280, 3281, 6198, 6280, 6281, 6679, 6683, 6706, 7129, 7278.
60	281434s	Grip-Starter Rope			(Used After Code Date 07020600).			Used on Type No(s).
60C	799716	Grip-Starter Rope			0154, 0680, 0761, 1749, 1837, 1850, 1917, 2035, 3761.			590440 Jet-Main (Standard)
65	690837	Screw (Rewind Starter)			494870 Jet-Main (Standard)			Used on Type No(s).
78	691108	Screw (Flywheel Guard)			(Used Before Code Date 07020700).			0001, 0002, 0008, 0012, 0020, 0027, 0029, 0051, 0072, 0073, 0074, 0075, 0376, 0377, 0383, 0384, 0389, 0408, 0409, 0413, 0415, 0416, 0480, 0998, 0999, 1616, 5317, 5519, 5522, 5523, 5524, 5540, 5563, 5566, 5373, 5584, 5585, 5594, 6021, 6135, 6150, 6151, 6155, 6169, 6172, 6175, 6194, 6199, 6217, 6218, 6229, 6235, 6241, 6242, 6246, 6254, 6258, 6275, 6276, 6277, 6286, 6307, 6317, 6319, 6333, 6336, 6339, 6356, 6357, 6367, 6375, 6539, 6603, 6610, 6615, 6621, 6623, 6628, 6657, 6659, 6680, 6694, 6695, 6816, 6824, 6825, 6829, 6830, 6837, 6845, 6847, 7128, 7177, 7183, 7193, 7196, 7206, 7212, 7215, 7216, 7233, 7241, 7242, 7261, 7263, 7268, 7287, 7288, 7304, 7305, 7306, 7308, 7310, 7315, 7316, 7325, 7326, 7330, 7338, 7340, 7351, 7355, 7368, 7369, 7374, 7403, 7435, 7594, 7852, 7932.
81	691740	Lock-Muffler Screw			Used on Type No(s).			
95	691636	Screw (Throttle Valve)			0761, 3761.			
97	493267	Shaft-Throttle (Metal)			798661 Jet-Main (Standard)			
		----- Note -----			Used on Type No(s).			
		696565 Shaft-Throttle (Plastic)			0385, 0398, 0407, 5507, 6126, 6243, 6244, 6941, 7174, 7272, 7341, 7366, 7380, 7404, 7841, 7878.			
		795881 Shaft-Throttle						
		Used on Type No(s).						
		0007, 0192, 0122, 0213, 5213.						
98A	493280	Kit-Idle Speed	117A	498981	Jet-Main (Standard)			
104	797622	Pin-Float Hinge			----- Note -----			
108	691182	Valve-Choke			697355 Jet-Main (Standard)			
		----- Note -----			Used on Type No(s).			
		796993 Valve-Choke			0007, 0122, 0192, 0213, 5213.			
		Used on Type No(s).						
		0040, 0411, 7129.						
108A	795935	Valve-Choke (Used After Code Date 08031200).	117B	498977	Jet-Main (Standard)			
		----- Note -----			(Used After Code Date 08061900).			
		790844 Valve-Choke			----- Note -----			
		(Used Before Code Date 08031300).			691428 Jet-Main (Standard)			
		799465 Valve-Choke			(Used After Code Date 07020600 and Before Code Date 08062000).			
		Used on Type No(s).			697355 Jet-Main (Standard)			
		0009, 0063, 3198, 3279, 3280, 3281, 6198, 6280, 6281, 6679, 6683, 6706, 7278.			(Used Before Code Date 07020700).			
109	494218	Shaft-Choke			695042 Jet-Main (Standard)			
109A	498593	Shaft-Choke			Used on Type No(s).			
					0343, 0344, 7344.			

126T00

REF. NO.	PART NO.	DESCRIPTION	REF. NO.	PART NO.	DESCRIPTION	REF. NO.	PART NO.	DESCRIPTION	
118	798660	Jet-Main (High Altitude) ----- Note ----- 497315 Jet-Main (High Altitude) Used on Type No(s). 0154, 0680, 0761, 1749, 1837, 1850, 1917, 2035, 3761.		798661	Jet-Main (High Altitude) Used on Type No(s). 0001, 0002, 0008, 0009, 0027, 0029, 0012, 0020, 0051, 0072, 0073, 0074, 0075, 0376, 0377, 0383, 0384, 0389, 0408, 0409, 0413, 0415, 0416, 0480, 0998, 0999, 1616, 5317, 5519, 5522, 5523, 5524, 5540, 5563, 5566, 5373, 5584, 5585, 5594, 6021, 6135, 6150, 6151, 6155, 6169, 6172, 6175, 6194, 6199, 6217, 6218, 6229, 6235, 6241, 6242, 6246, 6254, 6258, 6275, 6276, 6277, 6286, 6307, 6317, 6319, 6333, 6336, 6339, 6356, 6357, 6367, 6375, 6539, 6603, 6610, 6615, 6621, 6623, 6628, 6657, 6659, 6680, 6694, 6695, 6816, 6824, 6825, 6829, 6830, 6837, 6845, 6847, 7128, 7177, 7183, 7193, 7196, 7206, 7212, 7215, 7216, 7233, 7241, 7242, 7261, 7263, 7268, 7287, 7288, 7304, 7305, 7306, 7308, 7310, 7315, 7316, 7325, 7326, 7330, 7338, 7340, 7351, 7355, 7368, 7369, 7374, 7403, 7435, 7594, 7852, 7932.		121	498260	Kit-Carburetor Overhaul
118A	494870	Jet-Main (High Altitude) ----- Note ----- 692677 Jet-Main (High Altitude) Used on Type No(s). 0007, 0122, 0192, 0213, 5213.				125	799868	Carburetor (Primer System) ----- Note ----- 694882 Carburetor (Primer System) (Used After Code Date 07020600). Used on Type No(s). 0154, 0680, 0761, 1749, 1837, 1850, 1917, 2035, 3761. 799872 Carburetor (Primer System) (Used Before Code Date 07020700). Used on Type No(s). 0761, 3761.	
118B	694250	Jet-Main (High Altitude) (Used After Code Date 08061900). ----- Note ----- 695042 Jet-Main (High Altitude) (Used After Code Date 07020600 and Before Code Date 08062000). 692677 Jet-Main (High Altitude) (Used Before Code Date 07020700). 694975 Jet-Main (High Altitude) Used on Type No(s). 0343, 0344, 7344. 797575 Jet-Main (High Altitude) Used on Type No(s). 0040, 0411, 3198, 3279, 3280, 3281, 6198, 6280, 6281, 6679, 6683, 6706, 7129, 7278.				125A	799869	Carburetor (Choke System) ----- Note ----- 790978 Carburetor (Choke System) Used on Type No(s). 1746, 1801, 1802, 1803, 1804, 1805. 799870 Carburetor (Choke System) Used on Type No(s). 0007, 0122, 0192, 0213, 5313.	
						125B	799866	Carburetor (Autochoke System) (Used After Code Date 07020600). ----- Note ----- 799871 Carburetor (Autochoke System) (Used Before Code Date 07020700). 798280 Carburetor (Autochoke System) Used on Type No(s). 0343, 0344, 7344. 799464 Carburetor (Autochoke System) Used on Type No(s). 0009, 0024, 0063, 3198, 3279, 3280, 3281, 6198, 6280, 6281, 6679, 6683, 6706, 7278.	

REF. NO.	PART NO.	DESCRIPTION	REF. NO.	PART NO.	DESCRIPTION	REF. NO.	PART NO.	DESCRIPTION
127	694468	Plug-Welch	209B	691292	Spring-Governor		691852	Spring- Gov.
130	696564	Valve-Throttle			----- Note -----			Used on Type No(s).
		----- Note -----			699056 Spring-Governor			0009,0022,0023,0024,
		799466 Valve-Choke			Used on Type No(s).			0027,0028,0035,0036,
		Used on Type No(s).			0002,0004,0015,0016,			0155,0158,0159,0163,
		0009, 0063, 3198,			0018,0025,0026,0030,			0164,0168,0180,0182,
		3279, 3280, 3281,			0031,0060,0062,0064,			0183,0184,0198,0207,
		6198, 6280, 6281,			0069,0101,0126,0138,			0208,0217,0218,0221,
		6679, 6683, 6706,			0140,0143,0144,0148,			0230,0231,0233,0234,
		7278.			0165,0166,0173,0177,			0235,0240,0241,0257,
130A	691203	Valve-Throttle			0194,0242,0243,0244,			0258,0261,0268,0274,
133	398187	Float-Carburetor			0248,0284,0318,0362,			0278,0279,0280,0282,
134	398188	Kit-Needle/Seat			0370,0372,0375,0378,			0286,0303,0308,0319,
137	796610	Gasket-Float Bowl			0379,0389,0412,0454,			0322,0324,0325,0326,
		(1/8" Thick)			0475,0479,0480,0487,			0328,0332,0333,0336,
		----- Note -----			0491,0548,0615,0625,			0341,0351,0355,0357,
		693981 Gasket-Float Bowl			0660,0662,0675,0677,			0367,0389,0415,0680,
		(1/16" Thick)			0678,0709,0761,0763,			1706,1727,1728,1729,
141	796193	Shaft-Choke			0782,0795,0841,0842,			1739,1740,1748,1749,
163	795629	Gasket-Air Cleaner			0849,0856,0863,0867,			1794,1807,1814,1818,
187	791766	Line-Fuel			0875,0878,0880,0890,			1820,1821,1822,1823,
		(15" Long) (Cut to Required Length)			0893,0909,0932,0957,			1824,1825,1830,1831,
					0998,0999,1024,1044,			1832,1833,1835,1840,
187A	791873	Line-Fuel			1045,1047,1055,1070,			1841,1844,1846,1847,
		(Molded)			1071,1111, 1133,1135,			1914,1958,2006,2010,
187B	791891	Line-Fuel			1136,1184,1225,1252,			2015,2016,2021,2023,
		(Includes Filter)			1297,1298,1343,1346,			2035,3198,3279,3280,
188	693399	Screw			1347,1349,1350,1395,			4015,4021,4135,4150,
		(Control Bracket)			1401,1426,1443,1446,			4151,4163,4164,4168,
190	690940	Screw			1525,1527,1561,1576,			4169,4171,4183,4184,
		(Fuel Tank)			1586,1601,1701,1926,			4231,4233,4240,4241,
202	691829	Link-Mechanical Governor			2388,3205,3212,3216,			4680,4706,4823,4825,
					3217,3709,3761,3763,			4830,5184,5207,5208,
209A	795883	Spring-Governor			3841,3842,3849,4242,			5240,5264,5266,5322,
					4244,4248,4678,5216,			5332,5507,5522,5540,
					5217,5244,5248,5252,			5584,6021,6150,6151,
					5349,5395,5426,5517,			6169,6198,6217,6218,
					5678,5856,6126,6135,			6235,6258,6280,6286,
					6194,6242,6243,6244,			6319,6333,6336,6357,
					6375,6615,7177,7212,			6367,6603,6621,6623,
					7878,7932.			6628,6657,6679,6680,
								6706,6825,6830,7183,
								7196,7233,7241,7261,
								7268,7308,7325,7326,
								7341,7351,7355,7374,
								7841.
								691290 Spring-Governor
								Used on Type No(s).
								0005,0040,0114,0129,
								0130,0131,0169,0179,
								0188,0191,0197,0295,
								0301,0304,0305,0321,
								0342,0343,0344,2013,
								7129,7304,7305,7344.

126T00

REF. NO.	PART NO.	DESCRIPTION	REF. NO.	PART NO.	DESCRIPTION	REF. NO.	PART NO.	DESCRIPTION
	791157	Spring-Governor Used on Type No(s). 1746, 1801, 1803, 1804, 1805.	222	790143	Bracket-Control (Remote/Manual Friction)(Primer) Used on Type No(s). 0039, 0060, 0062, 0073, 0074, 0075, 0127, 0130, 0153, 0154, 0171, 0176, 0187, 0191, 0194, 0196, 0197, 0203, 0215, 0217, 0218, 0221, 0235, 0244, 0252, 0255, 0257, 0258, 0260, 0262, 0265, 0267, 0272, 0275, 0277, 0278, 0281, 0287, 0288, 0289, 0304, 0305, 0307, 0309, 0310, 0311, 0312, 0313, 0315, 0316, 0319, 0321, 0333, 0341, 0344, 0349, 0356, 0365, 0366, 0367, 0370, 0375, 0381, 0404, 0660, 0662, 0680, 0826, 0878, 1006, 1064, 1137, 1155, 1380, 1706, 1727, 1728, 1729, 1733, 1734, 1737, 1740, 1748, 1749, 1750, 1791, 1794, 1807, 1810, 1814, 1816, 1817, 1818, 1820, 1821, 1824, 1826, 1827, 1829, 1830, 1832, 1833, 1835, 1837, 1839, 1844, 1845, 1846, 1847, 1849, 1850, 1851, 1852, 1853, 1904, 1914, 1917, 1958, 1963, 1965, 1966, 1992, 1995, 2003, 2004, 2006, 2008, 2010, 2011, 2012, 2014, 2016, 2021, 2022, 2023, 2034, 2035, 2041, 2148, 2149, 2304, 3139, 3140, 3281, 4011, 4021, 4121, 4135, 4148, 4150, 4151, 4162, 4163, 4168, 4169, 4171,			4199, 4242, 4244, 4680, 4706, 4810, 4816, 4824, 4829, 4830, 4837, 4849, 4995, 5244, 5262, 6150, 6155, 6169, 6194, 6235, 6246, 6254, 6277, 6333, 6680, 6824, 7128, 7215, 7272, 7304, 7305, 7316, 7341, 7380, 7404, 7878. ----- Note ----- 790143 Bracket- Control (Used After Code Date 14021200) Used on Type No(s). 0001, 0019, 0036, 0065, 0385, 0390, 0396, 0398, 0407, 6135, 6199, 6243, 6258, 6375, 6830, 6941, 7174, 7196, 7306, 7315, 7338, 7340, 7366. 790143 Bracket- Control (Used After Code Date 11032200). Used on Type No(s). 0317.
217	690354	Spring-Choke Return						

REF. NO.	PART NO.	DESCRIPTION	REF. NO.	PART NO.	DESCRIPTION	REF. NO.	PART NO.	DESCRIPTION			
	790143	Bracket-Control (Used Before Code Date 14020300). Used on Type No(s). 0001, 0002, 0010, 0011, 0015, 0016, 0018, 0019, 0020, 0021, 0025, 0026, 0028, 0031, 0032, 0033, 0035, 0036, 0050, 0064, 0065, 0101, 0114, 0117, 0121, 0126, 0128, 0134, 0135, 0138, 0145, 0146, 0147, 0148, 0150, 0151, 0155, 0159, 0162, 0163, 0168, 0172, 0173, 0174, 0179, 0199, 0200, 0242, 0243, 0245, 0246, 0254, 0290, 0291, 0294, 0295, 0298, 0301, 0306, 0338, 0339, 0340, 0342, 0343, 0357, 0363, 0368, 0369, 0376, 0377, 0380, 0383, 0384, 0385, 0389, 0390, 0391, 0392, 0393, 0396, 0397, 0398, 0402, 0406, 0407, 0409, 0413, 0416, 0480, 0539, 0615, 0625, 0998, 0999, 1377, 1378, 1701, 1941, 2027, 5313, 6015, 6126, 6135, 6172, 6199, 6217, 6218, 6242, 6243, 6258, 6275, 6281, 6307, 6317, 6319, 6339, 6356, 6357, 6367, 6375, 6539, 6610, 6615, 6621, 6657, 6816, 6829, 6830, 6845, 6849, 6941, 7174, 7196, 7278, 7287, 7288, 7306, 7310, 7315, 7338, 7340, 7344, 7366, 7368, 7369, 7381.		790143	Bracket-Control (Used Before Code Date 11030200). Used on Type No(s). 4852. 790143 Bracket-Control (Used Before Code Date 12051700). Used on Type No(s). 6706 790143 Bracket-Control (Used Before Code Date 12052300). Used on Type No(s). 6695. 790143 Bracket-Control (Used Before Code Date 13050200). Used on Type No(s). 6837.	222A	692021	Bracket-Control (Remote, Choke A Matic, Non Compliance) Used on Type No(s). 1802.	222D	793754	Bracket-Control (Fixed Speed) Used on Type No(s). 0364.
						222B	790982	Bracket-Control Used on Type No(s). 0251, 0401, 1746, 1801, 1803, 1804, 1805.	222E	692982	Bracket-Control (Manual Friction, 5 Position Man Choke) (Used Before Code Date 09113000). Used on Type No(s). 0523.
						222C	692150	Bracket-Control (Variable Speed) (5 Position Manual Choke) (Used Before Code Date 09113000). Used on Type No(s). 0004, 0005, 0006, 0129, 0131, 0169, 0188, 0297, 0304, 0335, 0521, 0538, 1926, 7129. ----- Note ----- 692150 Bracket-Control (Variable Speed) (5 Position Manual Choke) Used on Type No(s). 0040.	222F	593541	Bracket-Control (Manual Friction, 5 Position Man Choke) (Used After Code Date 09112900). Used on Type No(s). 0523.
									222G	593542	Bracket-Control (Used After Code Date 14020200). Used on Type No(s). 0002, 0008, 0009, 0010, 0011, 0012, 0015, 0016, 0018, 0020, 0021, 0025, 0026, 0028, 0029, 0031, 0032, 0033, 0035, 0039, 0051, 0064, 0072, 0078, 0114, 0126, 0128, 0162, 0172, 0174, 0243, 0246, 0254, 0290, 0291, 0294, 0295, 0298, 0301, 0306, 0333, 0338, 0339, 0340, 0342, 0343, 0357, 0363, 0368, 0369, 0376, 0377, 0380, 0383, 0384, 0389, 0391, 0392, 0393, 0397, 0402, 0406, 0409, 0413, 0416, 0480, 0539, 0615, 0625, 0998, 0999, 1377, 1378, 1701, 1941, 2027, 2035, 4706, 4837, 4849, 5313, 5563, 6015, 6021, 6126, 6151, 6172, 6217, 6218, 6242, 6244, 6275, 6281, 6307, 6317, 6319, 6339, 6356, 6357, 6367, 6539, 6610,

126T00

REF. NO.	PART NO.	DESCRIPTION	REF. NO.	PART NO.	DESCRIPTION	REF. NO.	PART NO.	DESCRIPTION
		6615, 6621, 6657, 6816, 6829, 6845, 6849, 7278, 7287, 7288, 7310, 7344, 7368, 7369, 7381.	268	691025	Casing-Control Wire (Cut to Required Length)			0115, 0116, 0117, 0122, 0129, 0131, 0134, 0135, 0138, 0139, 0145, 0146, 0147, 0148, 0153, 0154, 0162, 0169, 0171, 0173, 0174, 0176, 0179, 0187, 0188, 0197, 0199, 0203, 0204, 0204, 0206, 0207, 0209, 0213, 0242, 0243, 0244, 0251, 0252, 0272, 0289, 0290, 0297, 0304, 0309, 0312, 0313, 0334, 0335, 0341, 0349, 0366, 0394, 0401, 0404, 0411, 0479, 0521, 0523, 0538, 0568, 0680, 0761, 0761, 0763, 0826, 0841, 0842, 0878, 0951, 1009, 1037, 1064, 1137, 1172, 1380, 1724, 1727, 1733, 1734, 1737, 1740, 1746, 1749, 1767, 1791, 1794, 1801, 1802, 1803, 1804, 1805, 1810, 1814, 1818, 1821, 1830, 1832, 1833, 1837, 1839, 1840, 1850, 1852, 1904, 1914, 1917, 1926, 1941, 1958, 1966, 1992, 1995, 2003, 2004, 2006, 2008, 2010, 2012, 2013, 2014, 2023, 2027, 2035, 2148, 2149, 2304, 2388, 3139, 3140, 3761, 3763, 3841, 3842, 4162, 4244, 5207, 5244, 5507, 6243, 6244, 6941, 7129, 7174, 7272, 7341, 7380, 7404, 7841, 7878.
		593542 Bracket-Control (Used Before Code Date 14021300 and After Code Date 14020200). Used on Type No(s). 0001, 0019, 0036, 0065, 0385, 0390, 0396, 0398, 0407, 6135, 6199, 6243, 6258, 6317, 6375, 6615, 6830, 6941, 7174, 7196, 7306, 7315, 7338, 7340, 7366, 7368, 7369.	269	691026	Wire-Control (Cut to Required Lgth)			
			270	691027	Nut (Control Wire Casing)			
			271	691028	Lever-Control			
			276	271716	Washer-Sealing			
			287	690940	Screw (Dipstick Tube)			
			291	593208	Thermostat			
			300	593581	Muffler (Ready Start) (Used After Code Date 13122200).			
					----- Note -----			
					790828 Muffler (Ready Start) (Used Before Code Date 13122300).			
222H	795880	Bracket-Control Used on Type No(s). 0007, 0122, 0192, 0213, 0394, 5213.			790828 Muffler (Ready Start) (Used Before Code Date 14010700). Used on Type No(s). 0035.			
222J	593823	Bracket-Control (Variable Speed) (5 Position Manual Choke) (Used After Code Date 09112900). Used on Type No(s). 0004, 0005, 0006, 0129, 0131, 0188, 0297, 0335, 0411, 0521, 7129.			790828 Muffler (Ready Start) Used on Type No(s). 0030, 0031, 0123, 0220, 0233, 0299, 0323, 0332, 0326, 0362, 0403, 3217, 3206, 4181, 4216, 4219, 4240, 4231, 4236, 5123, 5323, 6135, 6199, 6628.			
222K	593582	Bracket-Control (Fixed Speed) ----- Note ----- 593582 Bracket-Control (Used Before Code Date 11032300). Used on Type No(s). 0317.			593819 Muffler (Used After Code Date 13122200). Used on Type No(s). 0122, 0131, 0162, 0174, 0243, 0290, 0334, 0394, 0411, 0568, 1941, 2027, 2035, 6243, 6244, 6941, 7174.			
227	690783	Lever-Governor Control			692038 Muffler (Used Before Code Date 13122300). Used on Type No(s). 0005, 0006, 0007, 0015, 0016, 0018, 0025, 0026, 0050, 0060, 0062, 0101,			
231	691636	Screw (Choke Valve)						
236	691826	Link-Lockout						
240	298090s	Fuel-Filter						
265	690798	Clamp-Casing						
265A	691024	Clamp-Casing						
265B	692179	Clamp-Casing						
267	691044	Screw (Casing Clamp)						

REF. NO.	PART NO.	DESCRIPTION	REF. NO.	PART NO.	DESCRIPTION	REF. NO.	PART NO.	DESCRIPTION
		<p>----- Note -----</p> <p>692038 Muffler (Used Before Code Date 14041800). Used on Type No(s). 0004, 0010, 0011, 0015, 0016, 0018, 0025, 0026,0192, 0291, 0298, 0365, 1377, 1378, 1701, 1841, 5213, 5313.</p> <p>692038 Muffler Used on Type No(s). 0040, 0065, 0126, 0385, 0391, 0393, 0398, 0407, 6015, 6126, 7366.</p> <p>792677 Muffler Used on Type No(s). 0329,0343,1003,1844, 4329, 5329.</p>			<p>493294 Housing -Blower Used on Type No(s). 0004,0005,0006,0007, 0010,0040,0050,0065, 0116,0122,0129,0131, 0169,0179,0187,0188, 0192,0197,0203,0209, 0213,0242,0252,0272, 0289,0290,0291,0297, 0298,0309,0312,0313, 0334,0335,0349,0365, 0366,0385,0398,0407, 0411,0521,0523,0538, 0826,0878,1064,1137, 1377,1378,1380,1729, 1802,1822,1839,1926, 1941,2013,2014,2027, 3139,3140,5213,5313, 6941,7129,7272,7366, 7380,7878.</p> <p>790983 Housing-Blower Used on Type No(s). 0132,0140,0143,0166, 0181,0182,0183,0184, 0220,0224,0279,0329, 0475,0660,0662,0880, 0893,0933,1070,1071, 1136,1738,1739,1808, 1823,1826,1847,2015, 2017,5823.</p>			<p>695892 Housing-Blower Used on Type No(s). 0011,0063,0101,0117, 0126,0134,0135,0138, 0145,0146,0148,0153, 0154,0174,0176,0199, 0207,0243,0251,0341, 0401,0404,0408,0568, 0680,0761,0763,0842, 0951,1009,1037,1172, 1616,1724,1737,1742, 1746,1749,1818,1820, 1830,1837,1841,1850, 1852,1917,1966,2012, 2035,2148,2149,3761, 3763,3842,4162,4244, 5207,5244,5507,6126, 6243,6244,7174,7341, 7355,7404,7841.</p> <p>791291 Housing -Blower Used on Type No(s). 0002,0030,0039,0051, 0064,0073,0078, 0114,0128,0130,0164, 0190,0191,0222,0225, 0227,0230,0234,0237, 0256,0258,0260,0261, 0277,0281,0282,0295, 0301,0304,0305,0316, 0321,0326,0330,0331, 0332,0342,0343,0344, 0363,0364,0368,0369, 0374,0375,0379,0380, 0389,0403,0409,0480, 1750,1807,1817,1824, 1849,1851,2016,2034, 3281,4164,4242,4824, 4849,5332,5563,6242, 6258,6277,6281,6317, 6375,6824,6849,7128, 7261,7304,7305,7316, 7326,7330,7344,7368, 7369,7374,7403.</p>
304	790826	<p>Housing-Blower</p> <p>----- Note -----</p> <p>795071 Housing-Blower Used on Type No(s). 0015,0016,0018,0025, 0026,0060,0062,0115, 0139,0147,0162,0171, 0173,0204,0206,0226, 0238,0244,0479,0841, 1701,1727,1728,1733, 1734,1740,1767,1791, 1794,1801,1803,1804, 1805,1810,1814,1821, 1832,1833,1840,1904, 1914,1958,1992,1995, 2003,2004,2006,2008, 2010,2023,2304,2388, 3841,5062.</p>						
						305	691108	Screw (Blower Housing)
						306	690450	Shield-Cylinder
					306A	790836	Shield-Cylinder	
					307	690345	Screw (Cylinder Shield)	
					309	799045	Motor-Starter	
					309A		Motor-Starter (For Replacement Starter Motor, Order Reference 309)	

126T00

REF. NO.	PART NO.	DESCRIPTION	REF. NO.	PART NO.	DESCRIPTION	REF. NO.	PART NO.	DESCRIPTION
309B		Motor-Starter (For Replacement Starter Motor, Order Reference 309)			1252, 1297, 1298, 1346, 1347, 1349, 1350, 1378, 1401, 1426, 1443, 1446, 1525, 1527, 1561, 1601, 1701, 1724, 1727, 1728, 1733, 1734, 1738, 1740, 1746, 1767, 1791, 1794, 1801, 1802, 1803, 1804, 1805, 1817, 1839, 1851, 1904, 1914, 1958, 1966, 1992, 2003, 2004, 2006, 2008, 2010, 2013, 2014, 2027, 2034, 2304, 2388, 3139, 3140, 3205, 3216, 3709, 3761, 3763, 3841, 3842, 3849, 4132, 4162, 4181, 4226, 4244, 4678, 5062, 5123, 5132, 5213, 5216, 5226, 5244, 5252, 5264, 5349, 5426, 5563, 5678, 5856, 6198, 7368, 7369.	347	691396	Switch-Rocker
332	690662	Nut (Flywheel)				356	692390	Wire-Stop
333	590454	Armature-Magneto (When Ordering Replacement Armature For Engines Before Date Code 1012300, Use Service Air Vane Ref #1386 Service Number #790848). Used on Type No(s). 0002, 0004, 0005, 0006, 0007, 0010, 0011, 0015, 0016, 0018, 0020, 0021, 0025, 0026, 0030, 0031, 0050, 0060, 0062, 0069, 0101, 0114, 0115, 0122, 0123, 0124, 0125, 0126, 0130, 0131, 0132, 0133, 0134, 0138, 0139, 0140, 0162, 0165, 0166, 0173, 0181, 0182, 0191, 0192, 0197, 0200, 0201, 0203, 0204, 0206, 0209, 0210, 0213, 0215, 0220, 0222, 0224, 0225, 0226, 0243, 0244, 0256, 0264, 0267, 0272, 0284, 0289, 0290, 0291, 0295, 0297, 0298, 0299, 0301, 0321, 0331, 0334, 0335, 0342, 0362, 0364, 0370, 0378, 0379, 0402, 0412, 0454, 0475, 0479, 0480, 0487, 0491, 0521, 0523, 0538, 0548, 0615, 0625, 0660, 0662, 0675, 0677, 0687, 0709, 0761, 0763, 0782, 0795, 0849, 0856, 0863, 0890, 0932, 0933, 1024, 1044, 1045, 1055, 1064, 1070, 1071, 1184, 1225,	333A	590455	Armature-Magneto	356B	693010	Wire-Stop
			334	691061	Screw (Magneto Armature)	356D	496381	Wire-Stop
			337	593941	Plug-Spark (Resistor) (Used After Code Date 11063000). ----- Note ----- 796112s Plug-Spark (Resistor) (Used Before Code Date 11070100). 697451 Plug-Spark (EMS) (Used Before Code Date 11070100). ----- Note ----- 591910 Plug-Spark Used on Type No(s). 0399.	356H	690791	Wire-Stop
			346	690661	Screw (Spark Arrester)	358	590508	Gasket Set-Engine
						362	793351	Boot-Spark Plug
						363	19069	Flywheel Puller
						377	690979	Key-Woodruff
						383	89838s	Wrench-Spark Plug
						404	690272	Washer (Governor Crank)
						425A	690670	Screw (Air Cleaner Cover)
						443A	692523	Screw (Air Cleaner Primer Base)
						445A	491588s	Filter-Air Cleaner Cartridge
						455	791960	Cup-Flywheel
						456	692299	Plate-Pawl Friction
						459	281505s	Plate-Ratchet
						474	691991	Alternator
						497	690664	Screw (Stop Switch Bracket)
						500	691086	Washer (Key Switch)
						505	691251	Nut (Governor Control Lever)
						510	795093	Drive-Starter
						513	795100	Clutch-Drive
						523	499621	Dipstick
						524	692296	Seal-Dipstick Tube
						525	495265	Tube-Dipstick
						534A	798294	Screw (Air Cleaner)
						535	493537s	Filter-Pre Cleaner
						535A	797301	Filter-Air Cleaner Foam Used on Type No(s). 0020, 0039, 0342, 0343, 7344.
						536A	798293	Cleaner-Air (Used Before Code Date 14012700).
						562	691119	Bolt (Governor Control Lever)
						563	691138	Screw (Debris Guard Screen)

REF. NO.	PART NO.	DESCRIPTION	REF. NO.	PART NO.	DESCRIPTION	REF. NO.	PART NO.	DESCRIPTION
564	690664	Screw (Control Cover)	613A	691653	Screw (Muffler)	703	696309	Clip
564A	691142	Screw (Control Cover)			(1/4-20 x 3.38" Lg, 2.88" Shoulder Lg)	718	690959	Pin-Locating
564B	698589	Screw (Control Cover)	615	690340	Retainer-Governor Shaft	741	797521	Gear-Timing (Metal) (Used After Code Date 08021700).
578	398153	Wire-Assembly	616	698801	Crank-Governor	----- Note -----		
578A	695283	Wire-Assembly	617	270344s	Seal-O Ring (Intake Manifold)	794388		Gear-Timing (Use Without Woodruff Key)
578B	590800	Wire-Assembly Used on Type No(s). 0001, 0011, 0015, 0016, 0018, 0025, 0026, 0031, 0126, 0391, 0392, 0615, 0625, 1701, 6015, 6126, 6615.	621	692310	Switch-Stop			(Used After Code Date 07093000 and Before Code Date 08021800).
584	697734	Cover-Breather Passage	627	792565	Bracket-Stop Switch	790345		Gear-Timing (Use Without Woodruff Key)
585	691879	Gasket-Breather Passage	627A	793211	Bracket-Stop Switch			(Used Before Code Date 07100100).
592	690800	Nut (Rewind Starter)	633	691321	Seal-Choke/Throttle Shaft	691830		Gear-Timing (Uses Woodruff Key)
597	691696	Screw (Pawl Friction Plate)	633A	693867	Seal-Choke/Throttle Shaft	742	93941	Retainer-E Ring
598	592587	Shim-End Play (0.012" Thick)	635	66538s	Boot-Spark Plug	745	691648	Screw (Brake)
601	791850	Clamp-Hose	651	691660	Screw (Starter Gear Cover)	783	795099	Gear-Pinion
601A	691038	Clamp-Hose	664	691087	Nut (Key Switch)	783A	795096	Gear-Pinion
604	691757	Cover-Control	668	493823	Spacer	784	795095	Cover-Starter Gear
604A	691344	Cover-Control	670	692294	Spacer-Fuel Tank	785	692352	Gasket-Starter Cover
604B	790703	Cover-Control	676	396548	Deflector-Muffler	789A	696546	Harness-Wiring
604C	792418	Cover-Control	676A	393756	Deflector-Muffler	789B	792685	Harness-Wiring
604D	793770	Cover-Control	676C	493871	Deflector-Muffler	789C	796385	Harness-Wiring
608	497680	Starter-Rewind	676E	393760	Deflector-Muffler	789D	796574	Harness-Wiring
		----- Note -----	677	690661	Screw (Muffler Deflector) (Thread Forming)	789E	594392	Harness-Wiring
		791363 Starter- Rewind (W/o Handle Ref 60) Used on Type No(s). 0239, 5239.	677A	593440	Screw (Self Drilling) (Thread Forming)	789F	594393	Harness-Wiring
613	691340	Screw (Muffler) (1/4-20 x 2.75" Lg, 2.25" Shoulder Lg)	684	690345	Screw (Breather Passage Cover)	832	593875	Guard-Muffler
		----- Note -----	689	691855	Spring-Friction	832A	691424	Guard-Muffler
		790833 Screw (Muffler) (1/4-20 x 2.75" Lg, 2.08" Shoulder Lg)	692	590931	Spring-Detent	832B	497683	Guard-Muffler
		792678 Screw (Muffler) (1/4-20 x 3.38" Lg, 2.71" Shoulder Lg)	697	691127	Screw (Drive Cap)	832E	793568	Guard-Muffler
						836	690664	Screw (Muffler Guard)
						836B	691147	Screw (Muffler Guard)
						836C	790745	Screw (Muffler Guard)
						842	691031	Seal-O Ring (Dipstick Tube)
						843	691884	Sleeve-Lever (Speed Control)
						843A	691895	Sleeve-Lever (Choke)

126T00

REF. NO.	PART NO.	DESCRIPTION	REF. NO.	PART NO.	DESCRIPTION	REF. NO.	PART NO.	DESCRIPTION
847	692047	Dipstick/Tube Assembly	875	593580	Base-Air Cleaner (Used After Code Date 14012600). Used on Type No(s). 0004, 0006, 0022, 0023, 0024, 0027, 0029, 0030, 0035, 0036, 0040, 0051, 0063, 0072, 0073, 0074, 0075, 0123, 0131, 0132, 0144, 0158, 0201, 0201, 0208, 0220, 0233, 0253, 0263, 0264, 0266, 0268, 0276, 0283, 0299, 0308, 0323, 0326, 0332, 0355, 0399, 0400, 0403, 0408, 0411, 0415, 0475, 0491, 0548, 0863, 0932, 0957, 1349, 1413, 1525, 1561, 1601, 1616, 1624, 3206, 3217, 3280, 4175, 4181, 4216, 4219, 4240, 4568, 4678, 5123, 5132, 5208, 5264, 5266, 5323, 5394, 6175, 6198, 6229, 6276, 6280, 6286, 6628, 6659, 6679, 6683, 6695, 6706, 6837, 7268, 7268, 7355, 7932.	6021, 6135, 6151, 6172, 6199, 6217, 6218, 6242, 6258, 6275, 6281, 6307, 6317, 6319, 6339, 6357, 6367, 6375, 6539, 6610, 6615, 6621, 6657, 6816, 6829, 6830, 6845, 6849, 7196, 7278, 7287, 7288, 7306, 7310, 7338, 7340, 7368, 7381.		
851	493880s	Terminal-Spark Plug						
851A	692424	Terminal-Spark Plug						
853	695268	Adapter-Wire ----- Note ----- 698471 Adapter-Wire Used on Type No(s). 0999, 4244, 5244, 6244. 799467 Adapter-Wire Used on Type No(s). 0021, 0033, 0363, 0376, 5563.						
853A	695897	Adapter-Wire						
868	590410	Seal-Valve (Used After Code Date 11063000). ----- Note ----- 697338 Seal-Valve (Used Before Code Date 11070100).						593580 Base-Air Cleaner Primer (Used After Code Date 14041300). Used on Type No(s). 0069, 0394.
869	691155	Seat-Valve (Intake)				883	691881	Gasket-Exhaust
870	690380	Seat-Valve (Exhaust)				892	690646	Switch-Key
871	590409	Bushing-Valve Guide (Exhaust) (Used After Code Date 11063000). ----- Note ----- 590409 Bushing-Valve Guide (Intake) (Used After Code Date 11063000). 262001 Bushing-Valve Guide (Exhaust) (Used Before Code Date 11070100). 63709 Bushing-Valve Guide (Intake) (Used Before Code Date 11070100).				910	691094	Stud (Alternator)
						921A	695886	Cover-Blower Housing
						921B	692931	Cover-Blower Housing
						921C	695889	Cover-Blower Housing
						921D	591955	Cover-Blower Housing
						921E	696262	Cover-Blower Housing
						921F	697343	Cover-Blower Housing
						921G	795064	Cover-Blower Housing
						921H	790037	Cover-Blower Housing
						921J	790036	Cover-Blower Housing
						921K	699984	Cover-Blower Housing
						921L	791026	Cover-Blower Housing
						921M	792652	Cover-Blower Housing
						921N	792675	Cover-Blower Housing
						921P	792687	Cover-Blower Housing
						921R	793771	Cover-Blower Housing
						921T	592290	Cover-Blower Housing
						921U	794355	Cover-Blower Housing
						921W	796921	Cover-Blower Housing
						921X	796706	Cover-Blower Housing
						921Y	798277	Cover-Blower Housing
						922A	692135	Spring-Brake
						923	796136	Brake (Rewind Starter) ----- Note ----- 798276 Brake Used on Type No(s). 0198, 0317, 3198, 6198, 6317.
						923A	796387	Brake (Electric Starter)

REF. NO.	PART NO.	DESCRIPTION	REF. NO.	PART NO.	DESCRIPTION	REF. NO.	PART NO.	DESCRIPTION
925	795403	Cover-Linkage		795259	Base-Air Cleaner Primer	968B	692298	Cover-Air Cleaner
930	691919	Guard-Rewind			(Used Before Code Date 14020300)	969	690700	Screw (Blower Housing Cover)
930A	691345	Guard-Rewind			Used on Type No(s). 0001, 0002, 0008, 0009, 0010, 0011, 0012, 0015, 0016, 0018, 0019, 0021, 0025, 0026, 0028, 0031, 0032, 0033, 0064, 0065, 0114, 0122, 0126, 0128, 0162, 0172, 0174, 0243, 0246, 0254, 0291, 0294, 0295, 0298, 0301, 0306, 0338, 0339, 0340, 0357, 0363, 0368, 0369, 0376, 0377, 0380, 0383, 0384, 0385, 0389, 0390, 0391, 0392, 0393, 0396, 0397, 0398, 0402, 0406, 0407, 0409, 0413, 0416, 0480, 0539, 0615, 0625, 0998, 0999, 1377, 1378, 1701, 1941, 2027, 2035, 4706, 5313, 5563, 6015, 6021, 6126, 6135, 6151, 6172, 6199, 6217, 6218, 6242, 6243, 6244, 6258, 6275, 6281, 6307, 6317, 6319, 6339, 6356, 6357, 6367, 6375, 6539, 6610, 6615, 6621, 6657, 6816, 6829, 6830, 6845, 6849, 6941, 7174, 7196, 7278, 7287, 7288, 7306, 7310, 7315, 7338, 7340, 7366, 7368, 7369, 7381.	969A	691138	Screw (Blower Housing Cover)
937	795098	Spline-Starter				972B	699374	Tank-Fuel (Threaded) (Plastic)
937A	799420	Spline-Starter				972E	796578	Tank-Fuel (Plastic)(Threaded) (Flourinated)
946	691738	Stop-Rope				972F	590490	Tank-Fuel (Plastic)(1/4 Turn)
949	696306	Guard-Debris Screen				975	796611	Bowl-Float
957	799585	Cap-Fuel Tank (Black) (1/4 Turn)				976	694395	Primer-Carburetor
		----- Note -----				990	691959	Key Set
		591003 Cap-Fuel Tank (Red) (1/4 Turn)				994	398067	Arrestor-Spark
957A	692046	Cap-Fuel Tank (Threaded) (Black)				994B	792245	Arrestor-Spark
957D	796577	Cap-Fuel Tank (Threaded w/Tether) (Black)				997	696310	Shield-Debris
958	698183	Valve-Fuel Shut Off (Plastic)				1005	691346	Fan-Flywheel
966A	593942	Base-Air Cleaner Primer (Used After Code Date 14012600).				1036		Label-Emissions (Available From A Briggs & Stratton Authorized Dealer)
		----- Note -----				1059	692311	Kit-Screw/Washer
		593942 Base-Air Cleaner Primer (Used After Code Date 14020200). Used on Type No(s). 0010, 0011, 0015, 0016, 0018, 0025, 0026, 0065, 0126, 0162, 0174, 0243, 0291, 0298, 0385, 0391, 0393, 0398, 0407, 1377, 1378, 1701, 1941, 2027, 2035, 5313, 6015, 6126, 6243, 6244, 6941, 7174, 7366.				1095	590507	Gasket Set-Valve
						1119	692979	Screw (Alternator)
966B	795259	Base-Air Cleaner Primer (Used Before Code Date 14012700).				1210	498144	Pulley/Spring Assembly (Pulley)
		----- Note -----				1211	498144	Pulley/Spring Assembly (Spring)
						1319	794467	Label-Warning
						1330	270962	Manual-Repair
						1386	790848	Vane-Air (Autochoke System) (Required For Use With Replacement Armature Ref #333 service number 590454 Before Date Code 1012300).
						1387	790849	Spring-Air Vane
						1388	790850	Screw (Air Vane)
			966D	593945	Base-Air Cleaner (Used After Code Date 14012600).			

Not for
Reproduction

