

253700 to 253799

Illustrated Parts List

Model Series

253700 to 253799

TYPE NUMBERS
0015 through 0032,
0111 through 0231,
0246 through 0254,
0315, 0316, 0318,
0325 through 0328,
0400,
0406 through 0433,
4005.

TO FIND

THE CORRECT NUMBER OF THE PART YOU NEED:

FOLLOW THE INSTRUCTIONS BELOW

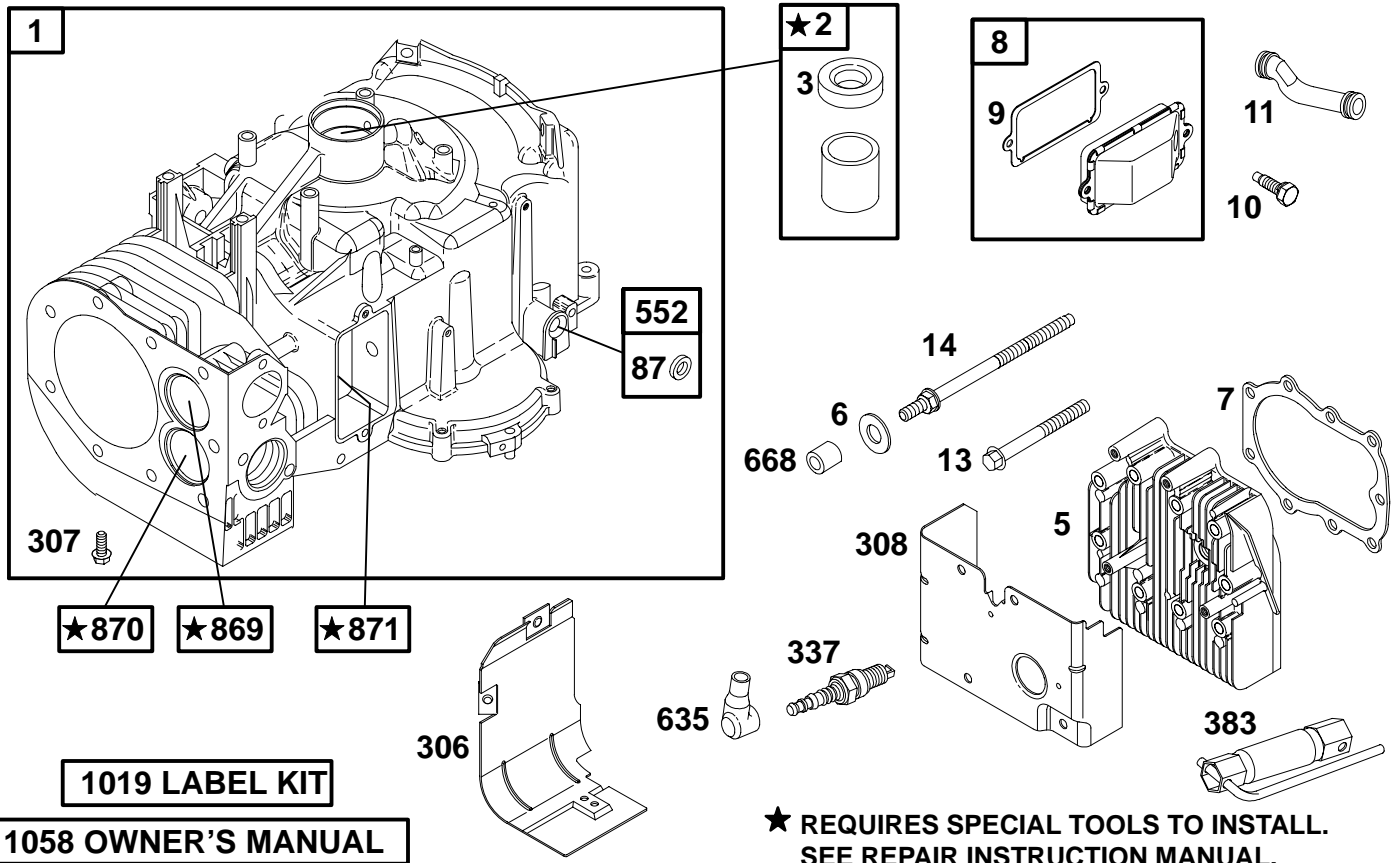
- A. Refer to Engine Model, Type and Code Number that is stamped on the blower housing of engine. Engine type numbers such as 0123 01 are listed only as 0123 in most instances. The two digits (01 or 02, etc.) to the right of the space may be required for more accurate parts identification in some instances. Select the Illustrated Parts List covering the correct Model Series and Type Number.
- B. Refer to the Illustrations and compare the original part with Illustration. The number next to the illustration is the Reference Number. Assemblies include all parts shown in frames. All parts shown in assembly frames having individual reference numbers can be purchased separately.
- C. After the Reference Number has been identified, refer to the Numerical text, where Reference and Primary Part Number are listed. **THE PRIMARY PART IS USED ON ALL TYPE NUMBERS EXCEPT THOSE TYPE NUMBERS UNDER "NOTE."**
- D. If a "Note" appears below the Primary Part Number, it means that this part differs from the Primary Part for certain types. If your Type number is listed under "Note," order the part referred to at the "Note."
- E. If your Engine Type Number does not appear after any part number listed under "Note," use the Primary Part Number.
- F. For Engine Type Numbers not covered by this book, check other Parts Lists having the same engine model or contact your source of supply.

PRINTED IN U.S.A.



COPYRIGHT by BRIGGS & STRATTON CORPORATION
All rights reserved. No part of this material may be reproduced or transmitted, in any form or by any means, electronic or mechanical, including photocopying, recording or by any information storage and retrieval system, without permission in writing from Briggs & Stratton Corporation.

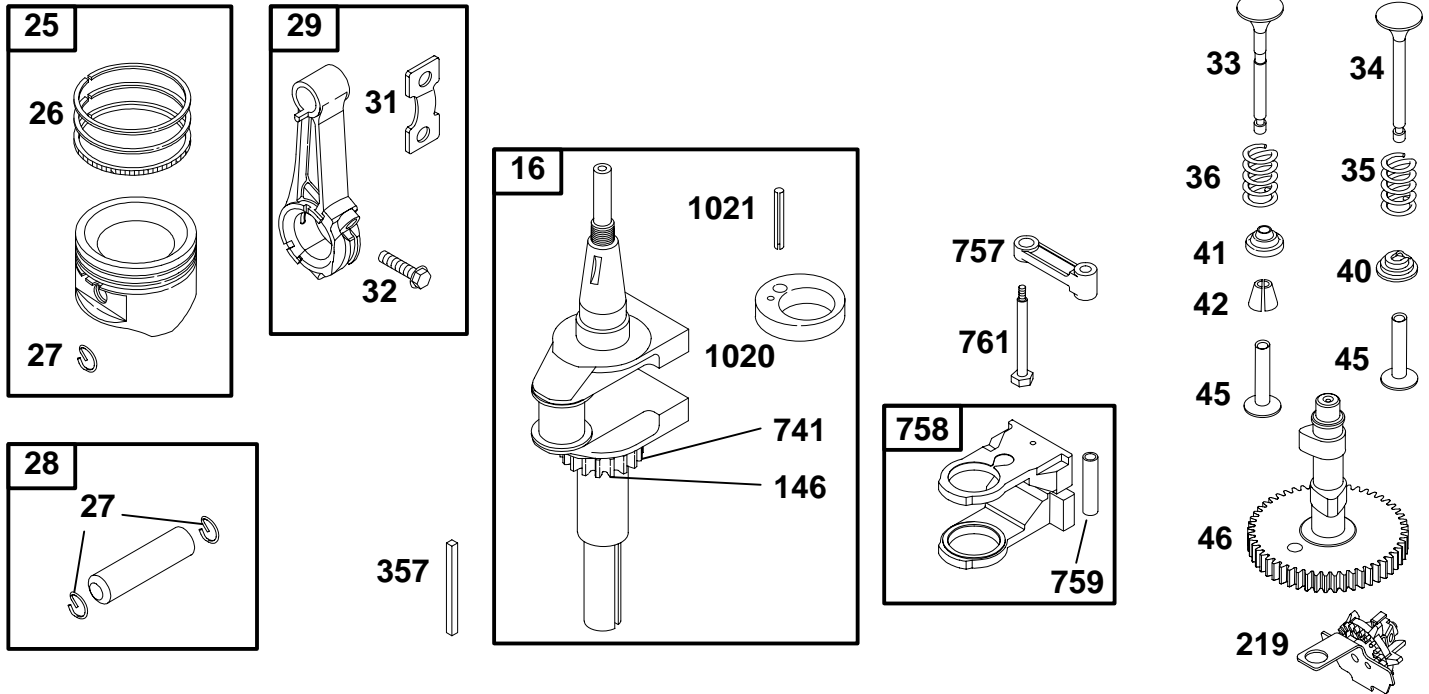
253700 to 253799



| REF. NO. | PART NO. | DESCRIPTION | REF. NO. | PART NO. | DESCRIPTION | REF. NO. | PART NO. | DESCRIPTION |
|----------|----------|---|----------|----------|---|----------|----------|------------------------------|
| 1 | 495729 | Cylinder Assembly | 14 | 94776 | Stud-Hex. Drive | 383 | 89838 | Wrench-Spark Plug |
| 2 | 399265 | Bushing/Seal Kit | 87 | 491323 | Seal-Gov. Shaft | 552 | 491986 | Bushing-Governor Crank |
| 3 | ★391086 | Seal-Oil | 306 | 224882 | Shield-Cylinder | 635 | 66538 | Boot-Spark Plug |
| 5 | 212914 | Head-Cylinder | | | Note | 668 | 231186 | Spacer |
| 6 | 22963 | Washer-Flat | | | 224542 Shield-Cyl. | 869 | 261463 | Seat-Valve (Intake) |
| 7 | ∅★271866 | Gasket-Cylinder Head | | | Used on Type No(s). 0105, 0116, 0123, 0125, 0133, 0135, 0138, 0419. | 870 | 262924 | Seat-Valve (Exhaust) |
| 8 | 495735 | Breather Assembly | 307 | 94930 | Screw-Hex. | 871 | 261961 | Bushing-Guide |
| | | Note | 308 | 224897 | Cover-Cylinder | | | Note |
| | | 495734 Breather Assy. | 337 | 298809 | Plug-Spark (1 1/2" High) | | | 231218 Bushing-Guide (Brass) |
| | | Used on Type No(s). 0144, 0155, 0171, 0172, 0189, 0190, 0246, 0250. | | | Note | 1019 | 491254 | Label Kit |
| 9 | ∅★27803 | Gasket-Breather | | | 802592 Plug-Spark (1 27/32" High, Resistor Type) | 1058 | 270862 | Owner's Manual |
| 10 | 94621 | Screw-Hex. | | | | | | |
| 11 | 280100 | Tube-Breather | | | | | | |
| 13 | 94622 | Screw-Hex. | | | | | | |

★ Included in Gasket Set-Part No. 393411.
 ● Included in Carburetor Kit-Part No. 394698.

∅ Included in Valve Overhaul Gasket Set-Part No. 498537.

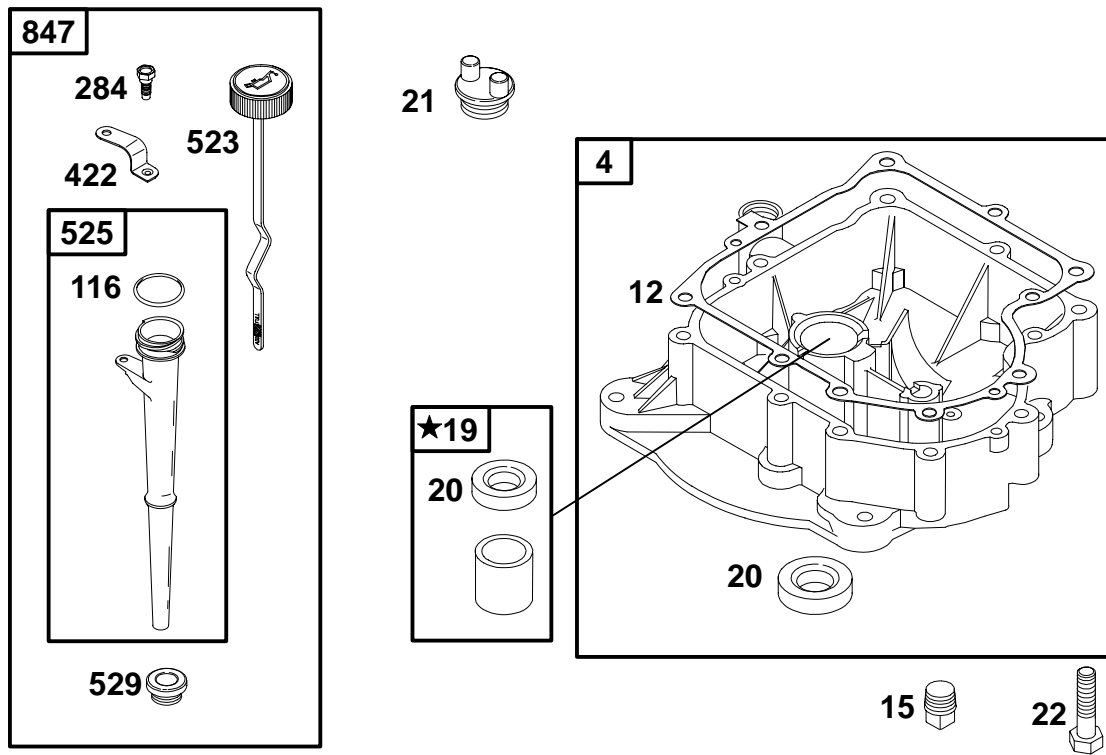


| REF. NO. | PART NO. | DESCRIPTION | REF. NO. | PART NO. | DESCRIPTION | REF. NO. | PART NO. | DESCRIPTION |
|----------|----------|--|----------|----------|--|----------|----------|---|
| 16 | 498994 | Crankshaft (Used After Code Date 88071800). — Note — 498993 Crankshaft (Used Before Code Date 88071900). Used on Type No(s). 0027, 0163, 0172, 0181, 0183, 0216, 0230, 0327, 0417. | 27 | 260924 | Lock-Piston Pin | 219 | 490815 | Governor/Oil Slinger |
| 25 | 394661 | Piston Assembly (Standard) — Note — 394662 Piston Assy. (.010" O.S.) 394663 Piston Assy. (.020" O.S.) 394664 Piston Assy. (.030" O.S.) | 28 | 299691 | Pin-Piston (Standard) — Note — 391286 Pin-Piston (.005" O.S.) | 357 | 91540 | Key-Drive Pulley |
| 26 | 391780 | Ring Set (Standard) — Note — 392331 Ring Set (Standard Chrome) 391781 Ring Set (.010" O.S.) 391782 Ring Set (.020" O.S.) 391783 Ring Set (.030" O.S.) | 29 | 490348 | Rod-Connecting (Standard) — Note — 490469 Rod-Connecting (.020" Undersize) | 741 | 262932 | Gear-Timing (Used with Woodruff Timing Key) — Note — 261196 Gear-Timing (Used with Dowel Pin Timing Key) |
| | | | 31 | 222299 | Lock-Rod Screw | 757 | 213998 | Link-Counterweight |
| | | | 32 | 94671 | Screw-Conn. Rod | 758 | 391373 | Counterweight |
| | | | 33 | 261185 | Valve-Exhaust | 759 | 230787 | Pin-Counterweight |
| | | | 34 | 261462 | Valve-Intake | 761 | 94593 | Screw-Hex. |
| | | | 35 | 65906 | Spring-Valve | 1020 | 261242 | Eccentric |
| | | | 36 | 26828 | Spring-Valve | 1021 | 94853 | Pin-Eccentric |
| | | | 40 | 221596 | Retainer-Valve | | | |
| | | | 41 | 292260 | Retainer-Valve — Note — 68293 Retainer-Valve Used on Type No(s). 0030, 0031, 0032. | | | |
| | | | 42 | 494553 | Keeper-Valve | | | |
| | | | 45 | 262248 | Tappet-Valve | | | |
| | | | 46 | 212897 | Gear-Cam | | | |
| | | | 146 | 94196 | Key-Timing (Woodruff) — Note — 231086 Key-Timing (Dowel Pin) | | | |

★ Included in Gasket Set-Part No. 393411.
● Included in Carburetor Kit-Part No. 394698.

⊘ Included in Valve Overhaul Gasket Set-Part No. 498537.

253700 to 253799



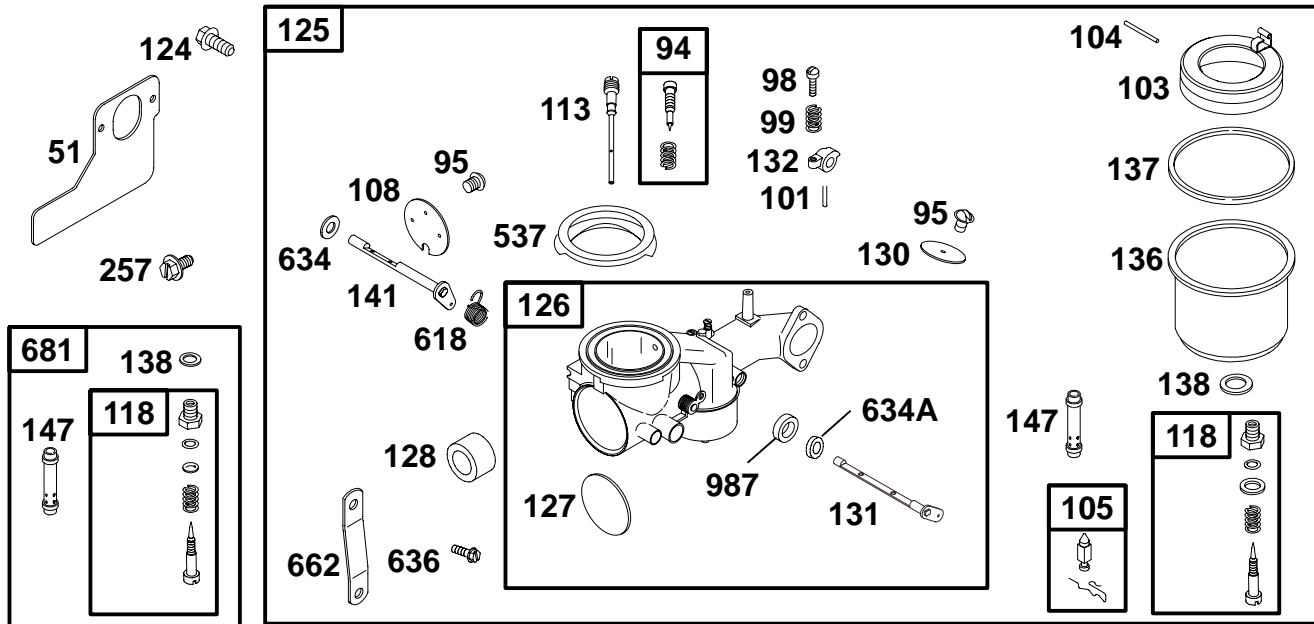
★ **REQUIRES SPECIAL TOOLS TO INSTALL.**
SEE REPAIR INSTRUCTION MANUAL.

| REF. NO. | PART NO. | DESCRIPTION | REF. NO. | PART NO. | DESCRIPTION | REF. NO. | PART NO. | DESCRIPTION |
|----------|----------|---|--|----------|--|---|----------|---------------------------|
| 4 | 391784 | Sump-Engine | 22 | 93585 | Screw-Hex. | 525 | 280134 | Tube-Oil Fill |
| 12 | ★271702 | Gasket-Crankcase (.015" Thick, Standard) | 116 | ★270920 | Seal-O-Ring | <p>———— Note ————</p> <p>497419 Tube-Oil Fill Used on Type No(s). 0155.</p> | | |
| | | ———— Note ———— | 284 | 94874 | Screw-Hex. | 529 | ★281370 | Seal-Fill Tube |
| | | ★270915 Gasket-Crankcase (.005" Thick) | 422 | 224872 | Bracket-Oil Fill | 847 | 392067 | Dipstick/Tube Assembly |
| | | ★270916 Gasket-Crankcase (.009" Thick) | <p>———— Note ————</p> <p>223559 Bracket-Oil Fill Used on Type No(s). 0155.</p> | | <p>———— Note ————</p> <p>398376 Dipstick/Tube Assembly Used on Type No(s). 0155.</p> | | | |
| 15 | 94239 | Plug-Oil Drain | 523 | 495229 | Dipstick | | | |
| 19 | 490666 | Bushing/Seal Kit | <p>———— Note ————</p> <p>398331 Dipstick Used on Type No(s). 0155.</p> | | | | | |
| 20 | ★291675 | Seal-Oil | | | | | | |
| 21 | 66768 | Plug-Oil Fill | | | | | | |

★ Included in Gasket Set-Part No. 393411.
 ● Included in Carburetor Kit-Part No. 394698.

∅ Included in Valve Overhaul Gasket Set-Part No. 498537.

253700 to 253799

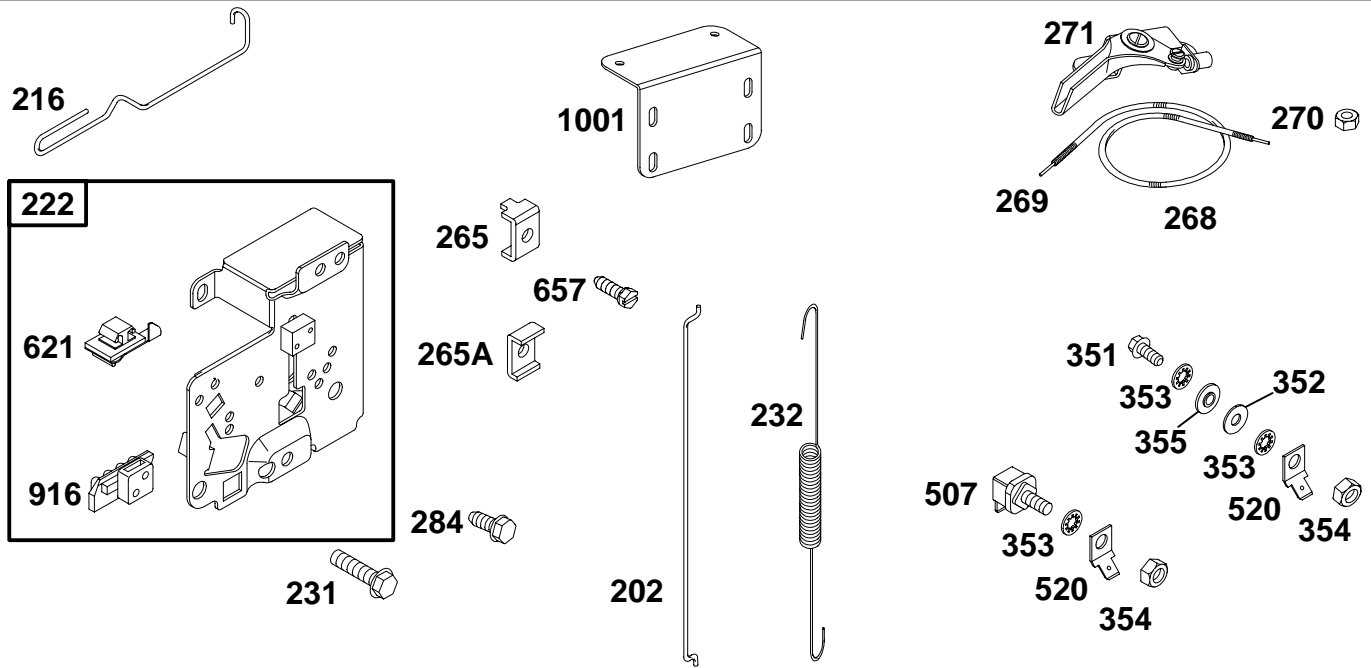


| REF. NO. | PART NO. | DESCRIPTION | REF. NO. | PART NO. | DESCRIPTION | REF. NO. | PART NO. | DESCRIPTION | | |
|----------|----------|--------------------------------------|----------|----------|---|---------------------|----------|---|-------------------|---------------------|
| 51 | 498869 | Gasket—Carb Mounting | | 491028 | Carburetor (Remote & Manual Choke) | | | 0413, 0414, 0415, 0416, 0417, 0418, 0420, 0421, 0422, 0424, 0425, 0429, 0430, 0431, 0432, 0433, 4005. | | |
| 94 | 292681 | Kit—Idle Mixture | | | Used on Type No(s). 0025, 0030, 0031, 0032, 0111, 0118, 0131, 0133, 0134, 0138, 0139, 0140, 0146, 0151, 0161, 0186, 0210, 0247, 0251, 0426, 0428. | | | 394038 Body Assembly—Upper Used on Type No(s). 0144, 0155, 0171, 0189, 0190, 0246, 0250. | | |
| 95 | 93499 | Screw—Choke/Throttle | | 491029 | Carburetor (Choke A Matic®) | | | | | |
| 98 | 91920 | Screw—Slotted | | | Used on Type No(s). 0155. | 127 | 221997 | Plug—Welch | | |
| 99 | 26157 | Spring—Friction | | 490149 | Carburetor (Remote Choke) | 128 | 211960 | Venturi—Carburetor | | |
| 101 | 93043 | Pin—Throttle Lever | | | Used on Type No(s). 0144, 0171, 0189, 0190, 0246, 0250. | 130 | 222433 | Valve—Throttle | | |
| 103 | 299707 | Float—Carburetor | | 490472 | Carburetor (Remote Choke) | 131 | 491006 | Throttle Shaft Kit | | |
| 104 | 231435 | Pin—Float Hinge | | | Used on Type No(s). 0213, 0218, 0220, 0223, 0315, 0316, 0318, 0326, 0327, 0328, 0400, 0408, 0409, 0410, 0413, 0414, 0415, 0416, 0417, 0418, 0420, 0421, 0422, 0424, 0425, 0429, 0430, 0431, 0432, 0433, 4005. | 132 | 211712 | Stop—Throttle | | |
| 105 | 394681 | Valve—Needle (Gravity Feed) | | | | 136 | 221995 | Bowl—Float | | |
| | | Note | | | | 137 | 270511 | Gasket—Float Bowl | | |
| | | 394683 | | 491031 | Carburetor (Choke A Matic®) | 138 | 222014 | Washer | | |
| | | | | | Used on Type No(s). 0213, 0218, 0220, 0223, 0315, 0316, 0318, 0326, 0327, 0328, 0400, 0408, 0409, 0410, 0413, 0414, 0415, 0416, 0417, 0418, 0420, 0421, 0422, 0424, 0425, 0429, 0430, 0431, 0432, 0433, 4005. | 141 | 390684 | Shaft—Choke | | |
| 108 | 222010 | Valve—Choke | | | | | | Note | | |
| 113 | 299740 | Nozzle—Carburetor | | | | | | 299647 | | |
| 118 | 396568 | Valve—High Speed | | | | | | Shaft—Choke (Manual Choke) | | |
| 124 | 94913 | Screw—Torx® Hex. | | 126 | 391787 | Body Assembly—Upper | 147 | 231323 | Nozzle—Carburetor | |
| 125 | 491026 | Carburetor Assembly (Choke A Matic®) | | | | | | 257 | 93543 | Screw—Slotted |
| | | Note | | | | | | 537 | 270853 | Gasket—Air Cleaner |
| | | 491031 | | | | | | 618 | 261116 | Spring |
| | | | | | | | | 634 | 270382 | Washer |
| | | | | | | | | 634A | 271013 | Washer—Seal (Foam) |
| | | | | | | | | 636 | 94874 | Screw—Hex. |
| | | | | | | | | 662 | 224440 | Bracket—Carburetor |
| | | | | | | | | 681 | 396795 | Nozzle—Carburetor |
| | | | | | | | | 987 | 398970 | Seal—Throttle Shaft |

★ Included in Gasket Set—Part No. 393411.
 ● Included in Carburetor Kit—Part No. 394698.

⊗ Included in Valve Overhaul Gasket Set—Part No. 498537.

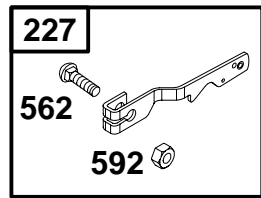
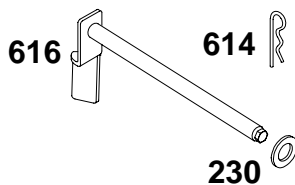
253700 to 253799



| REF. NO. | PART NO. | DESCRIPTION | REF. NO. | PART NO. | DESCRIPTION | REF. NO. | PART NO. | DESCRIPTION |
|----------|----------|---|----------|----------|---|----------|----------|---|
| 202 | 262348 | Link-Mechanical Governor (Used After Code Date 87030100). Note 261609 Link-Mech. Governor (Used After Code Date 82110211 and Before Code Date 87030200). 261198 Link-Choke (Used Before Code Date 82110311). | 231 | 94627 | Screw (Control Bracket) | | | 0130, 0143, 0144, 0148, 0154, 0160, 0163, 0168, 0171, 0178, 0181, 0183, 0184, 0187, 0188, 0208, 0211. |
| | | | 232 | 260584 | Spring-Link (Used After Code Date 82110211). Note 261197 Spring-Link (Used Before Code Date 82110311). | 352 | 66068 | Washer-Fiber |
| | | | 265 | 221535 | Clamp-Casing | 353 | 92791 | Washer-Lock |
| | | | 265A | 22372 | Clamp-Casing | 354 | 90576 | Nut-Hex. |
| | | | 268 | 65616 | Casing-Wire (Cut to Required Length) | 355 | 66554 | Washer-Fiber |
| 216 | 261610 | Link-Choke (Used After Code Date 82110211). Note 261274 Link-Choke (Used Before Code Date 82110311). | 269 | 26633 | Wire-Control (Cut to Required Length) | 507 | 398525 | Insulator |
| | | | 270 | 63426 | Locknut-Casing | 520 | 93722 | Terminal |
| | | | 271 | 290568 | Lever-Control | 657 | 94906 | Screw-Slotted Hex. |
| | | | 284 | 94874 | Screw-Hex. (Used After Code Date 83042100). Note 94882 Screw-Hex. (Used Before Code Date 83042200). | 621 | 396847 | Switch-Stop (Used After Code Date 85041400). Note 297472 Switch-Stop (Used Before Code Date 85041500). |
| 222 | 491594 | Bracket-Control (Choke A Matic®) Note 491593 Bracket-Control (Remote & Manual Choke) 396349 Bracket-Control (Used Before Code Date 82110311). | 351 | 93735 | Screw-Slotted Note 91920 Screw-Slotted Used on Type No(s). 0015, 0016, 0020, 0025, 0026, 0028, | 916 | 280324 | Rack-Governor Gear (Choke A Matic®) Note 280321 Rack-Governor Gear (Remote & Manual Choke) |
| | | | | | | 1001 | 223680 | Bracket-Support |

★ Included in Gasket Set-Part No. 393411.
● Included in Carburetor Kit-Part No. 394698.

⊘ Included in Valve Overhaul Gasket Set-Part No. 498537.

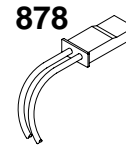
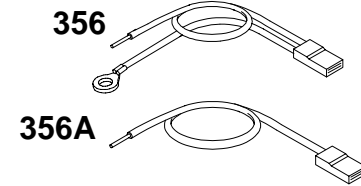
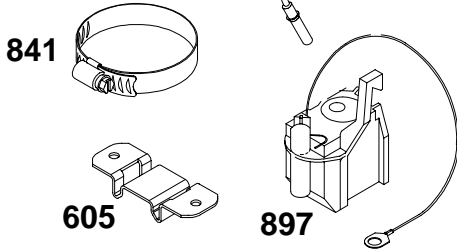
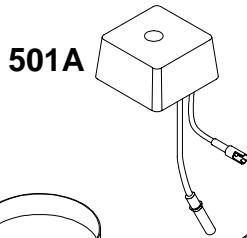
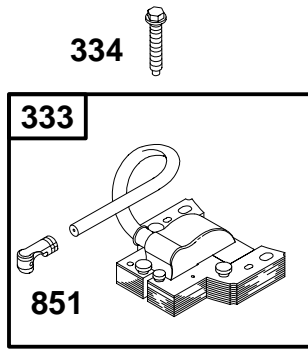


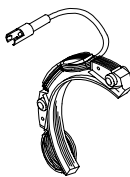

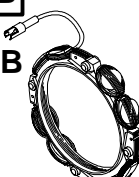

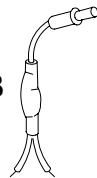
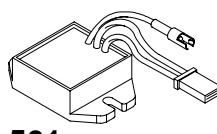
| REF. NO. | PART NO. | DESCRIPTION | REF. NO. | PART NO. | DESCRIPTION | REF. NO. | PART NO. | DESCRIPTION | | |
|----------|----------|---|----------|----------|--|----------|----------|-------------|--------|---|
| 209 | 260871 | Spring-Governor (Used After Code Date 87030100). 261129 Spring-Gov. (Used Before Code Date 87030200). ———— Note ———— 261126 Spring-Gov. (Used After Code Date 87030100). Used on Type No(s). 0027, 0030, 0152, 0180, 0188, 0196, 0202, 0223, 0230, 0327, 0433. 261130 Spring-Gov. (Used After Code Date 87030100). Used on Type No(s). 0031, 0032, 0179, 0184, 0199. 260695 Spring-Gov. (Used After Code Date 87030100). Used on Type No(s). 0026, 0121, 0122, 0130, 0131, 0135, 0137, 0143, 0154, 0155, 0156, 0157, 0158, 0159, 0160, 0163, 0167, 0168, 0170, 0171, 0172, 0173, 0177, 0178, 0181, 0182, 0183, 0187, 0195, 0197, 0200, 0201, 0204, 0206, 0208, 0209, 0211, 0212, 0213, 0216, 0217, 0218, 0220, 0221, 0222, 0224, 0229, 0246, 0247, 0248, 0249, | | | 0250, 0253, 0326, 0406, 0407, 0408, 0409, 0410, 0411, 0417, 0418, 0419, 0421, 0423, 0425, 0428, 0429. 261306 Spring-Gov. (Used Before Code Date 87030200). Used on Type No(s). 0026, 0027, 0121, 0122, 0130, 0131, 0135, 0137, 0143, 0152, 0154, 0155, 0156, 0157, 0158, 0159, 0160, 0163, 0167, 0168, 0170, 0171, 0172, 0173, 0177, 0178, 0180, 0181, 0182, 0183, 0184, 0187, 0188, 0195, 0196, 0197, 0199, 0200, 0201, 0202, 0204, 0206, 0208, 0209, 0211, 0212, 0213, 0216, 0217, 0218, 0220, 0221, 0222, 0223, 0224, 0229, 0230, 0246, 0247, 0248, 0249, 0250, 0253, 0326, 0327, 0406, 0407, 0408, 0409, 0410, 0411, 0417, 0418, 0419, 0421, 0423, 0425, 0428, 0429. 260871 Spring-Gov. (Used Before Code Date 87030200). Used on Type No(s). 0031, 0032, 0179. | | | 227 | 490927 | Lever-Governor (Used After Code Date 87030100). ———— Note ———— 391733 Lever-Gov. (Used Before Code Date 87030200). 230 94927 Washer-Flat 562 94907 Bolt-Governor Lever 592 231978 Nut-Hex. 614 93306 Pin-Cotter 616 495157 Crank-Governor |

★ Included in Gasket Set-Part No. 393411.
● Included in Carburetor Kit-Part No. 394698.

⊗ Included in Valve Overhaul Gasket Set-Part No. 498537.

253700 to 253799



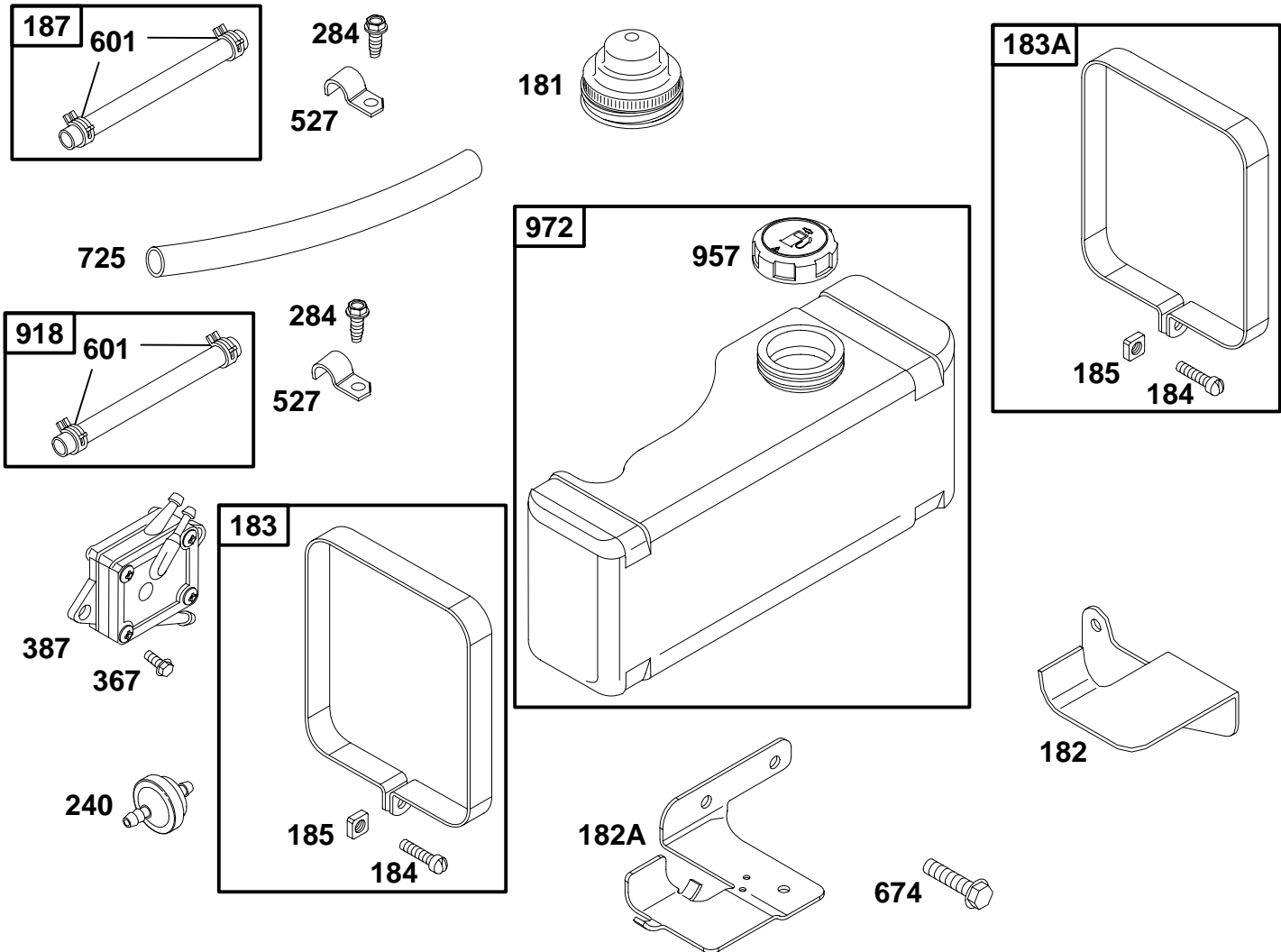
| DC ONLY | DUAL CIRCUIT | TRI-CIRCUIT | 10 AMP |
|---|---|--|--|
| 474  | 474A  | 474B  | 474C  |
| | | 878B  | 501  |

NOTE: ALL STATORS USE NO. 482 MOUNTING SCREW. 

| REF. NO. | PART NO. | DESCRIPTION | REF. NO. | PART NO. | DESCRIPTION | REF. NO. | PART NO. | DESCRIPTION | |
|----------|----------|------------------|----------|----------|---------------------|------------|----------|--------------------|------------------------|
| 333 | 398811 | Armature-Magneto | 501 | 394890 | Regulator | 605 | 222934 | Bracket-Mounting | |
| 334 | 94731 | Screw-Hex. | | | Note | 851 | 493880 | Terminal-Cable | |
| 356 | 398808 | Wire-Stop | | | 397809 | Regulator | 841 | 393514 | Clamp |
| 356A | 494328 | Wire-Stop | | | Used on Type No(s). | 877 | 393814 | Wire-Alternator | |
| 474 | 391529 | Alternator | | | 0172, 0230. | 877A | 393456 | Wire-Alternator | |
| 474A | 393474 | Alternator | 501A | 491546 | Regulator | 877B | 393537 | Wire-Alternator | |
| 474B | 392595 | Alternator | | | Screw-Hex. | 877C | 399916 | Wire-Alternator | |
| 474C | 393295 | Alternator | 526 | 93343 | Screw-Hex. | 878 | 393362 | Harness-Alternator | |
| 482 | 93621 | Screw-Hex. | | | Note | 878B | 392606 | Harness-Alternator | |
| | | | | | 94137 | Screw-Hex. | 897 | 394970 | Magnetron Ignition Kit |
| | | | | | Used on Type No(s). | | | | |
| | | | | | 0172, 0230, 4005. | | | | |

★ Included in Gasket Set-Part No. 393411.
 ● Included in Carburetor Kit-Part No. 394698.

⊘ Included in Valve Overhaul Gasket Set-Part No. 498537.

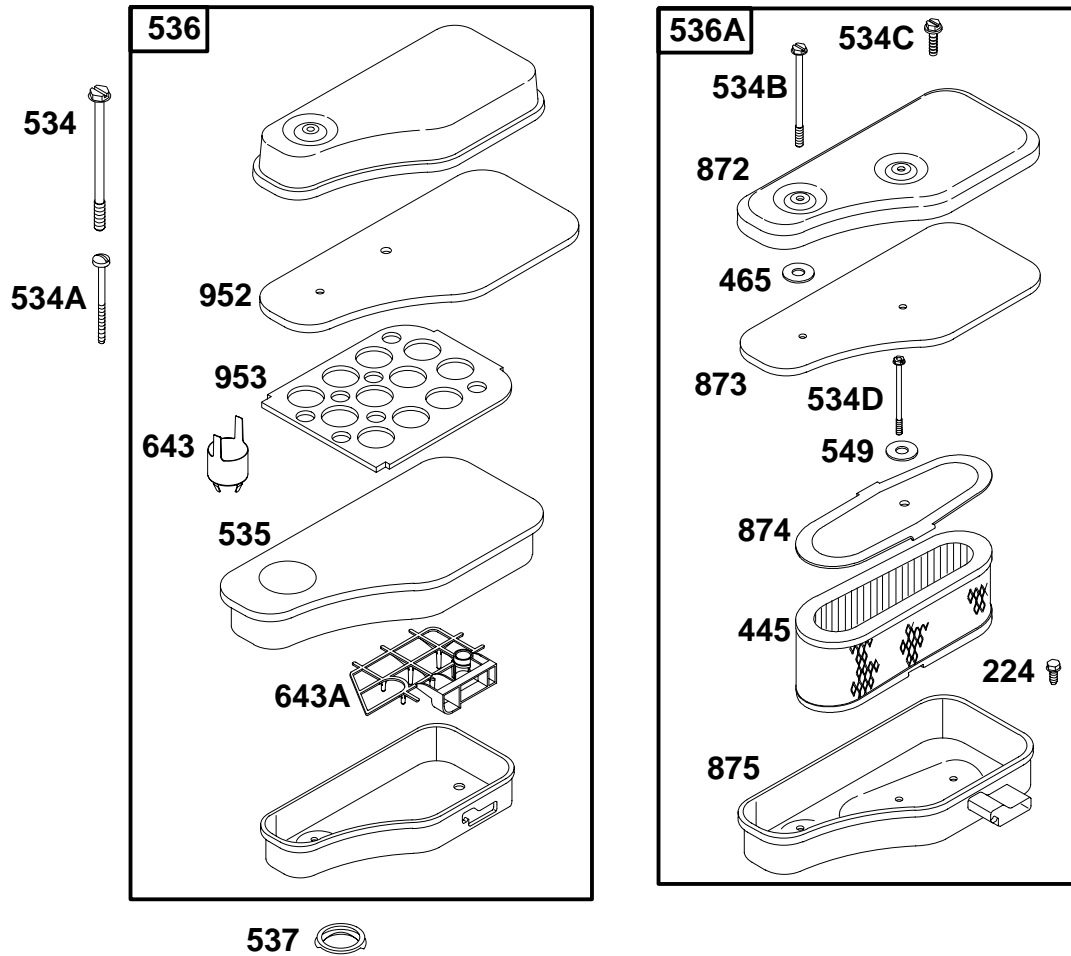


| REF. NO. | PART NO. | DESCRIPTION | REF. NO. | PART NO. | DESCRIPTION | REF. NO. | PART NO. | DESCRIPTION |
|----------|----------|--|----------|----------|---|----------|----------|---|
| 6 | 22963 | Washer-Flat (Qty. 4) (Used on Rewind Start Engines Only) | 183A | 496852 | Strap-Fuel Tank (L.H.) | 527 | 221428 | Clamp-Tube |
| | | Note | 184 | 94286 | Screw-Hex. | 601 | 93053 | Clamp-Hose |
| | | 22776 Washer-Flat (Qty. 2) (Used on Electric Start Engines) | 185 | 90970 | Nut | 674 | 94627 | Screw (Fuel Tank Bracket, 3/4" Long) |
| 181 | 392305 | Cap-Fuel Tank | 186 | 67218 | Connector-Hose | | | Note |
| 182 | 222980 | Bracket-Fuel Tank (R.H.) | 187 | 299146 | Line-Fuel (Cut to Required Length) | | | 93634 Screw (Fuel Tank Bracket, 7/8" Long) |
| 182A | 224884 | Bracket-Fuel Tank (L.H.) | 240 | 298090 | Filter-Fuel | 725 | 222175 | Shield-Heat |
| 183 | 496853 | Strap-Fuel Tank (R.H.) | | | Note | 918 | 393815 | Hose-Vacuum (Cut to Required Length) |
| | | | | | 394358 Filter-Fuel Used on Type No(s). 0181, 0201. | 957 | 493988 | Cap-Fuel Tank |
| | | | 284 | 94874 | Screw-Hex. | 972 | 390225 | Tank-Fuel (3 Quart) |
| | | | 367 | 93380 | Screw-Hex. | | | |
| | | | 387 | 494280 | Pump-Fuel | | | |

★ Included in Gasket Set-Part No. 393411.
● Included in Carburetor Kit-Part No. 394698.

⊘ Included in Valve Overhaul Gasket Set-Part No. 498537.

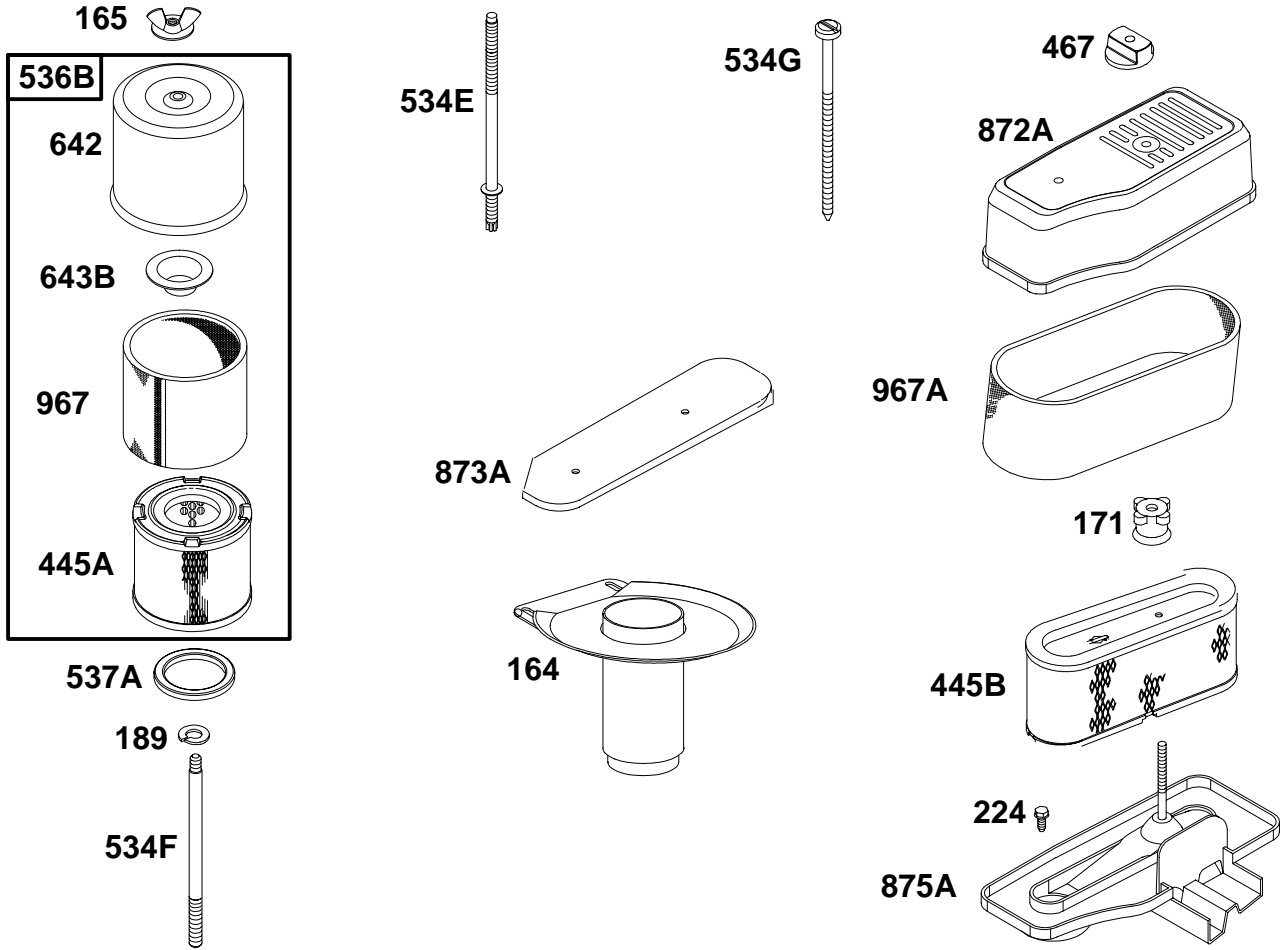
253700 to 253799



| REF. NO. | PART NO. | DESCRIPTION | REF. NO. | PART NO. | DESCRIPTION | REF. NO. | PART NO. | DESCRIPTION |
|----------|----------|----------------------|----------|----------|---------------------|----------|----------|----------------------|
| 224 | 94902 | Screw-Hex. | 535 | 270843 | Filter-A/C Foam | 872 | 396966 | Cover-Air Cleaner |
| 445 | 393725 | Filter-A/C Cartridge | 536 | 391786 | Cleaner-Air | 873 | ★397971 | Gasket-Cleaner Cover |
| 465 | 271118 | Washer | 536A | 393749 | Cleaner-Air | 874 | 222898 | Retainer-Air Filter |
| 534 | 93323 | Screw-Slotted | 537 | ★270853 | Gasket-Air Cleaner | 875 | 397321 | Base-Air Cleaner |
| 534A | 93622 | Screw-Slotted | 549 | 270978 | Washer | 952 | 222495 | Spacer-Air Cleaner |
| 534B | 93911 | Screw-Slotted | 643 | 222380 | Spacer-Air Cleaner | 953 | 222382 | Screen-Air Cleaner |
| 534C | 93913 | Screw-Slotted | 643A | 280118 | Retainer-Air Filter | | | |
| 534D | 93910 | Screw-Slotted | | | | | | |

★ Included in Gasket Set-Part No. 393411.
 ● Included in Carburetor Kit-Part No. 394698.

∅ Included in Valve Overhaul Gasket Set-Part No. 498537.

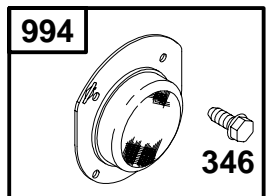
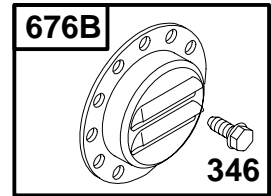
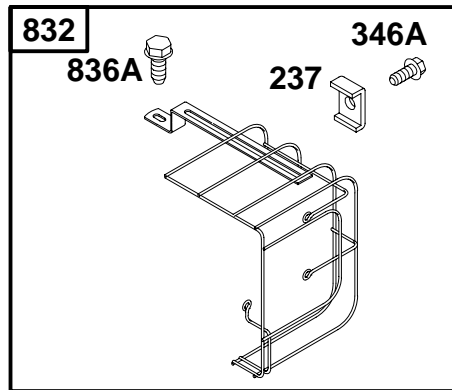
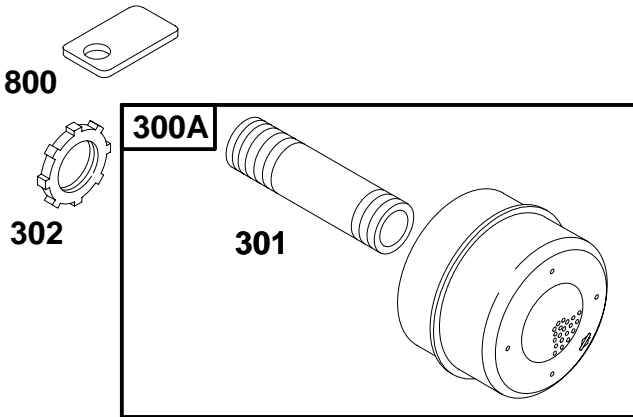
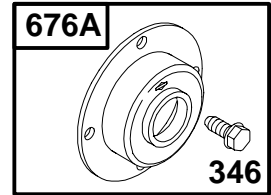
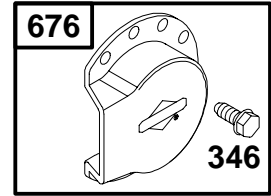
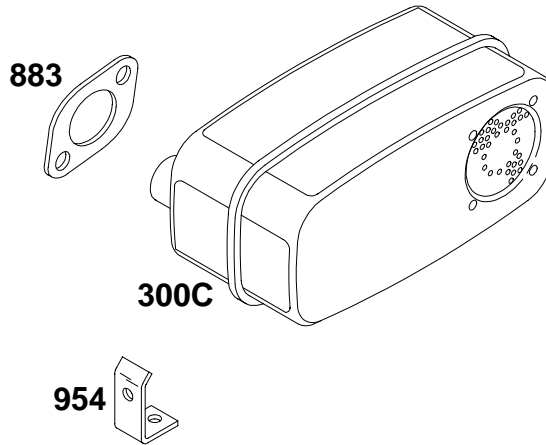
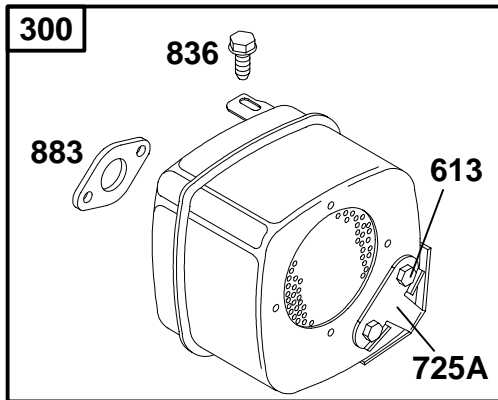


| REF. NO. | PART NO. | DESCRIPTION | REF. NO. | PART NO. | DESCRIPTION | REF. NO. | PART NO. | DESCRIPTION |
|----------|----------|-----------------------------|----------|----------|---|----------|----------|---------------------------------|
| 164 | 399669 | Pipe-Air Cleaner | 534G | 94290 | Screw-Slotted (3 13/16" Long) Used on Type No(s). 0213, 0411. | 872A | 223700 | Cover-Air Cleaner |
| 165 | 94289 | Nut-Wing | | | Note | | | Note |
| 171 | 281051 | Knob-Air Cleaner | | | 94291 | | | 490975 |
| 189 | 90832 | Washer-Lock | | | Screw-Slotted (5 7/8" Long) Used on Type No(s). 0213, 0411. | | | Cleaner |
| 224 | 94902 | Screw-Hex. | | | | | | Used on Type No(s). 0213, 0411. |
| 445A | 393957 | Filter-A/C Cartridge | 967 | 271794 | Filter-Precleaner | 873A | ★271982 | Gasket-Cleaner Cover |
| 445B | 399806 | Filter-A/C Cartridge | 967A | 271962 | Filter-Precleaner | | | Used on Type No(s). 0213, 0411. |
| 467 | 493903 | Knob-Air Cleaner | 536B | 391063 | Cleaner-Air | 875A | 491877 | Base-Air Cleaner |
| 534E | 94246 | Stud-Standard (3 1/2" Long) | 537A | 280699 | Gasket-Air Cleaner | | | Note |
| | | Note | 642 | 224885 | Cover-Air Cleaner | | | 490481 |
| | | 94248 | 643B | 222272 | Retainer-Air Filter | | | Cleaner |
| 534F | 231457 | Stud-Standard (6 3/4" Long) | | | | | | Used on Type No(s). 0213, 0411. |

★ Included in Gasket Set-Part No. 393411.
 ● Included in Carburetor Kit-Part No. 394698.

⊘ Included in Valve Overhaul Gasket Set-Part No. 498537.

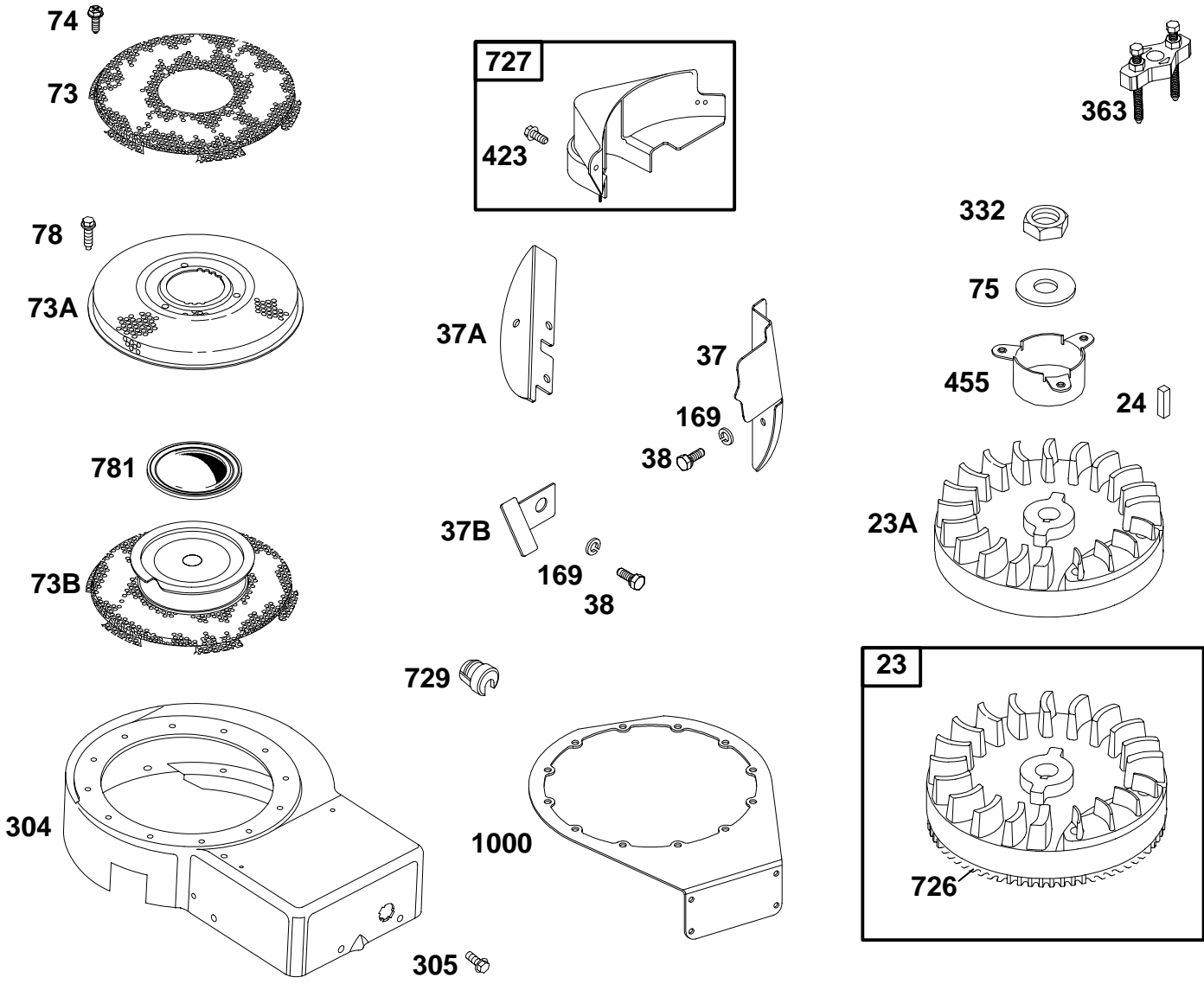
253700 to 253799



| REF. NO. | PART NO. | DESCRIPTION | REF. NO. | PART NO. | DESCRIPTION | REF. NO. | PART NO. | DESCRIPTION |
|----------|----------|-----------------|----------|----------|-------------------|----------|----------|------------------|
| 237 | 222379 | Retainer-Guard | 346A | 93587 | Screw-Hex. | 832 | 398247 | Guard-Muffler |
| 300 | 491413 | Muffler-Exhaust | 613 | 93927 | Screw-Shoulder | 836 | 94905 | Screw-Torx® Hex. |
| 300A | 391569 | Muffler-Exhaust | 676 | 393761 | Deflector-Muffler | 836A | 94887 | Screw-Hex. |
| 300C | 498984 | Muffler-Exhaust | 676A | 396903 | Deflector-Muffler | 883 | 272293 | Gasket-Exhaust |
| 301 | 93768 | Pipe-Muffler | 676B | 397630 | Deflector-Muffler | 954 | 223379 | Bracket-Mounting |
| 302 | 261564 | Locknut-Muffler | 725A | 223023 | Shield-Heat | 994 | 392390 | Arrestor-Spark |
| 346 | 94896 | Screw-Hex. | 800 | 222095 | Retainer | | | |

★ Included in Gasket Set-Part No. 393411.
 ● Included in Carburetor Kit-Part No. 394698.

⊘ Included in Valve Overhaul Gasket Set-Part No. 498537.

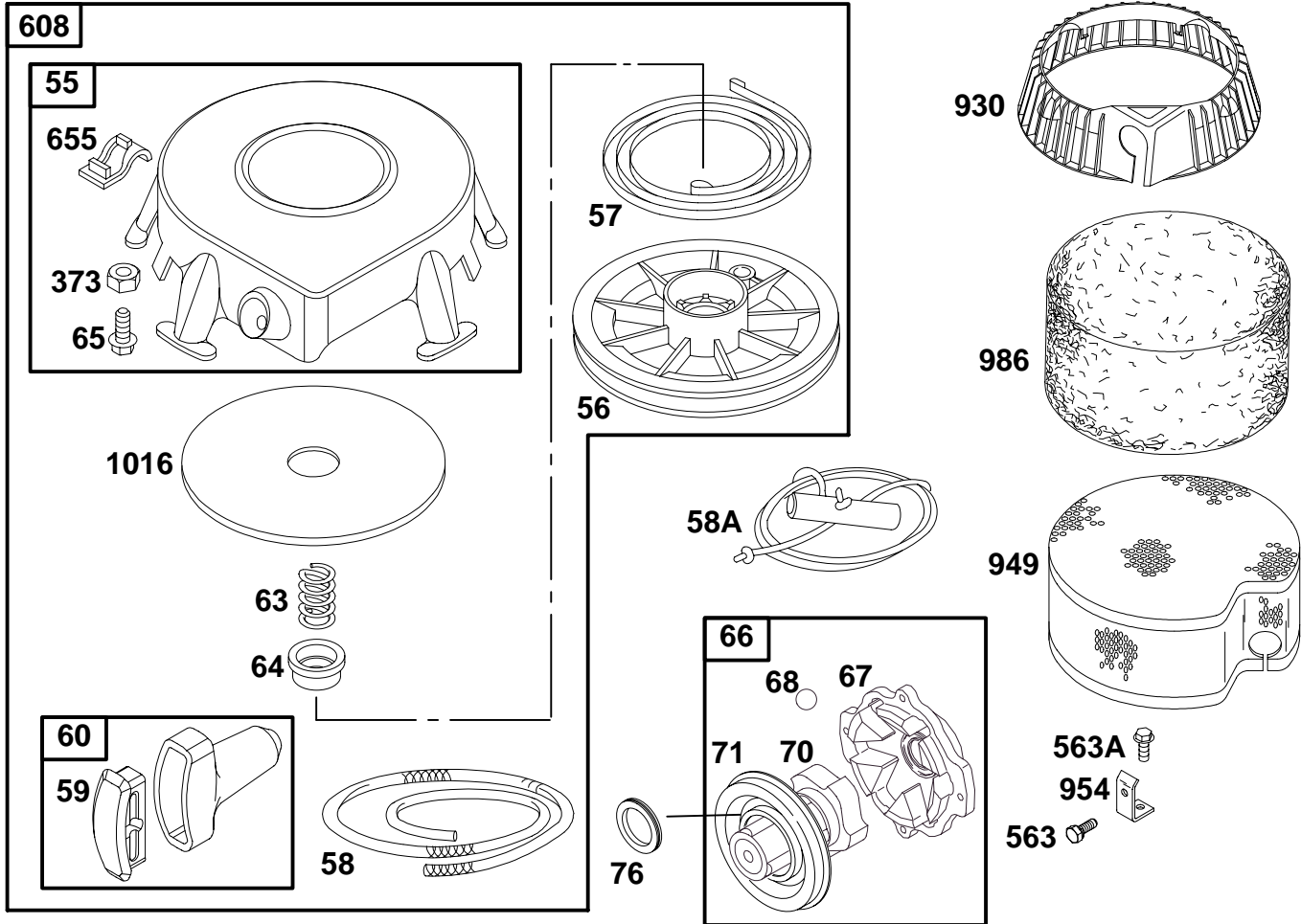


| REF. NO. | PART NO. | DESCRIPTION | REF. NO. | PART NO. | DESCRIPTION | REF. NO. | PART NO. | DESCRIPTION |
|----------|----------|--|----------|----------|---|----------|----------|---------------------------|
| 23 | 498911 | Flywheel ——— Note —— 498910 Flywheel Used on Type No(s). 0198, 0246, 0250, 0426, 4005. | 73A | 224517 | Screen—Rotating | 332 | 94877 | Nut—Flywheel |
| 23A | 498896 | Flywheel | 73B | 496084 | Screen—Rotating | 363 | 19203 | Puller—Flywheel |
| 24 | 222698 | Key—Flywheel | 74 | 93758 | Screw—Hex. | 423 | 94625 | Screw—Shoulder |
| 37 | 224886 | Guard—Flywheel | 75 | 225136 | Washer—Flywheel | 455 | 222561 | Cup—Flywheel |
| 37A | 222475 | Guard—Flywheel | 78 | 94626 | Screw—Phillips | 726 | 399676 | Gear—Ring |
| 37B | 224871 | Guard—Flywheel | 169 | 93713 | Washer—Lock | 727 | 395405 | Cover—Starter Drive |
| 38 | 94811 | Screw—Hex. | 304 | 398333 | Housing—Blower ——— Note —— 399784 Housing— Blower | 729 | 281159 | Clip—Wire |
| 73 | 224874 | Screen—Rotating | 305 | 94786 | Screw—Hex. | 781 | 280068 | Cap—Starter Pulley |
| | | | | | | 1000 | 223677 | Bracket—Blower Housing |

★ Included in Gasket Set—Part No. 393411.
● Included in Carburetor Kit—Part No. 394698.

⊘ Included in Valve Overhaul Gasket Set—Part No. 498537.

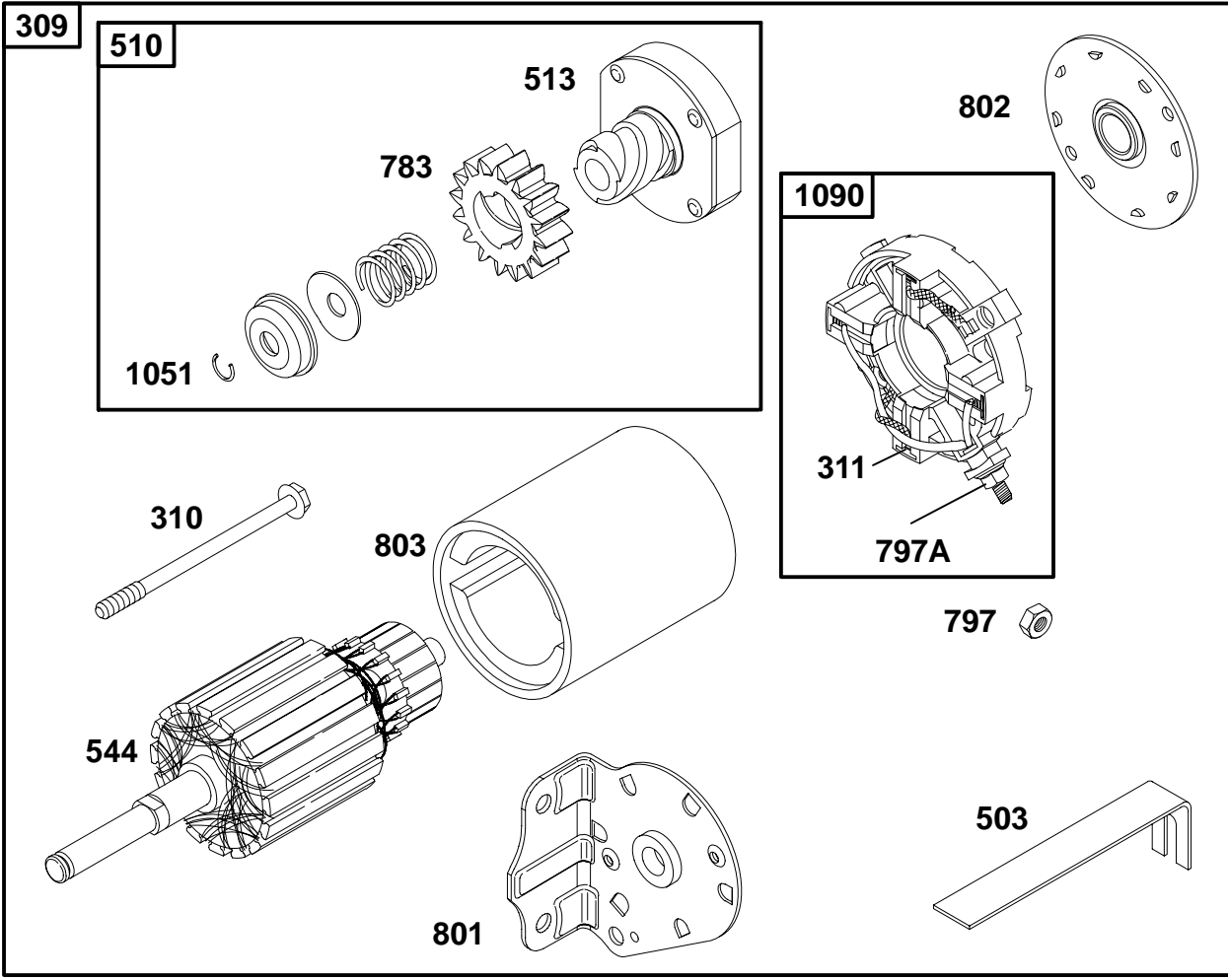
253700 to 253799



| REF. NO. | PART NO. | DESCRIPTION | REF. NO. | PART NO. | DESCRIPTION | REF. NO. | PART NO. | DESCRIPTION |
|----------|----------|--|----------|----------|---|----------|----------|--|
| 55 | 393576 | Housing—Rewind Starter | 65 | 94904 | Screw—Hex. <div style="text-align: center;">————— Note —————</div> 93420 Screw—Hex. Used on Type No(s). 0133, 0134, 0139, 0151, 0426. | 655 | 222598 | Anchor—Spring |
| 56 | 295871 | Pulley—Starter (Includes Rope) | 66 | 399671 | Clutch—Starter | 930 | 280685 | Guard—Rewind |
| 57 | 490179 | Spring—Rewind Starter | 67 | 394897 | Housing—Clutch | 949 | 397530 | Guard—Debris Screen (Used with Rewind Start) |
| 58 | 66894 | Rope—Starter (Cut to Required Length) | 68 | 63770 | Ball—Clutch | | | ————— Note ————— 398857 Guard—Debris Screen (Used with Electric Start) |
| 58A | 69932 | Rope—Starter | 70 | 298799 | Ratchet—Clutch | 954 | 223379 | Bracket—Mounting |
| 59 | 490653 | Insert—Grip | 71 | 394506 | Cover—Ratchet | 986 | 271735 | Filter—Debris |
| 60 | 490652 | Grip—Starter Rope | 76 | 68238 | Seal | 1016 | 490817 | Spacer—Rewind |
| 63 | 260414 | Spring—Ratchet | 373 | 94908 | Nut—Hex. | | | |
| 64 | 281204 | Adapter—Spring | 563 | 94925 | Screw (Debris Screen Guard) | | | |
| | | | 563A | 93067 | Screw (Debris Screen Guard) | | | |
| | | | 608 | 390391 | Starter—Rewind | | | |

★ Included in Gasket Set—Part No. 393411.
 ● Included in Carburetor Kit—Part No. 394698.

⊘ Included in Valve Overhaul Gasket Set—Part No. 498537.

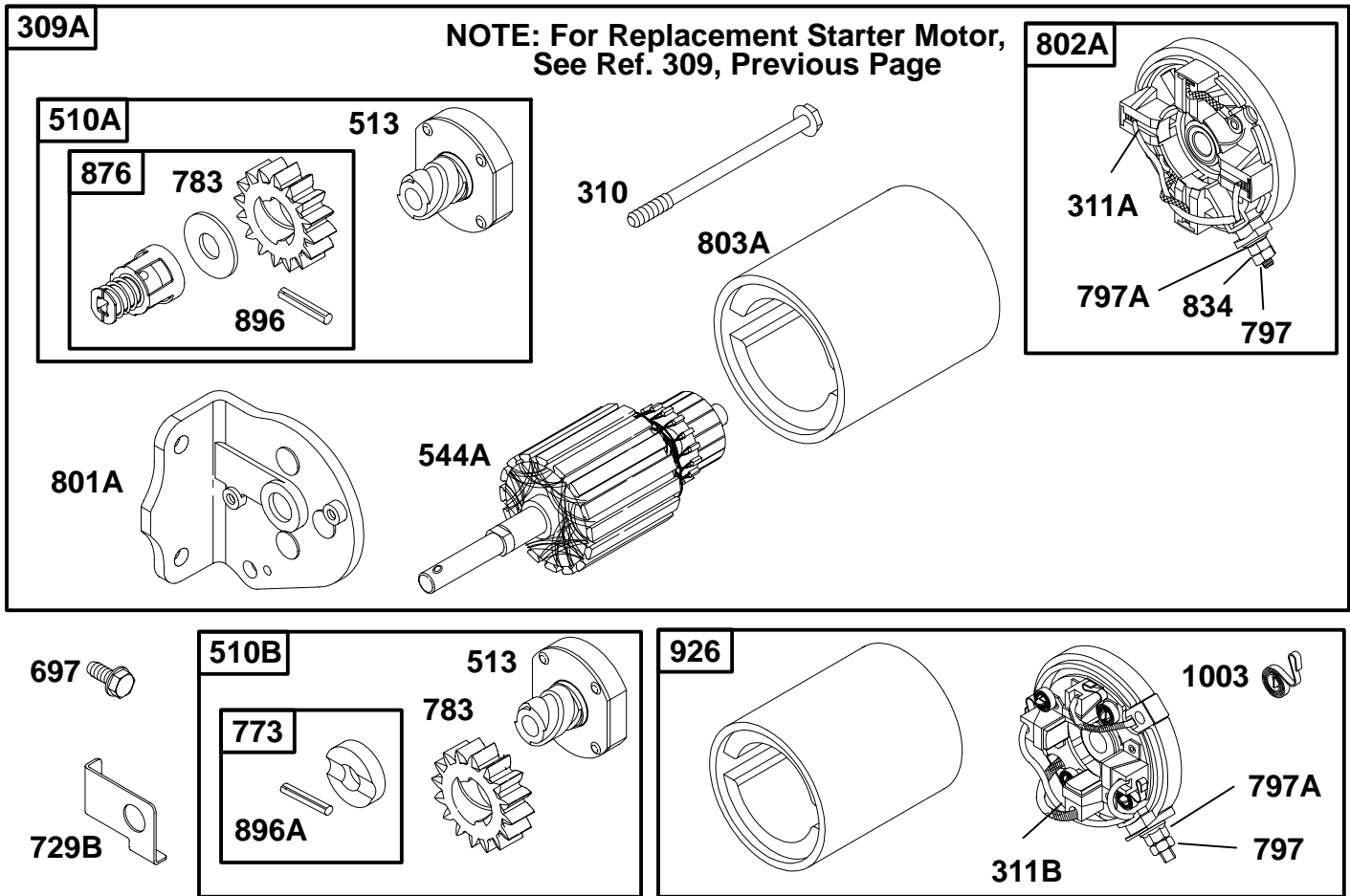


| REF. NO. | PART NO. | DESCRIPTION | REF. NO. | PART NO. | DESCRIPTION | REF. NO. | PART NO. | DESCRIPTION | | | | | | | | |
|---|---------------|--|-----------------------------------|---------------|---------------|--|--------------|---------------------------|---------------|----------------|---------------|---------------------------|---------------|----------------|---------------|---------------|
| 309 | 693054 | Motor-Starter (3 5/8" Housing Length) | 311 | 497608 | Brush Set | 797 | 92278 | Nut (Starter Terminal) | | | | | | | | |
| | | Note | | | 503 | | | 806000 | Strap-Starter | 797A | 693167 | Nut (Starter Terminal) | | | | |
| | | 499521 Motor-Starter (4 3/8" Housing Length) | | | | | | | 510 | | | 497606 | Drive-Starter | 801 | 497626 | Cap-Drive |
| | | 513 Clutch-Drive | | | | | | | | | | | 544 | | | 497603 |
| 310 Bolt (Starter Motor) (For 3 5/8" Housing Length) | 697 | 94773 | Screw (Starter Motor Mounting) | 803 | 497604 | Housing-Starter (For 3 5/8" Housing Length) | | | | | | | | | | |
| Note | | | 729A | | | 225170 | Clip-Wire | 1051 | 263080 | Ring-Retaining | | | | | | |
| 95035 Bolt (Starter Motor) (For 4 3/8" Housing Length) | | | | | | | 783 | | | 693059 | Gear-Starter | 1090 | 497605 | Retainer-Brush | | |

★ Included in Gasket Set-Part No. 393411.
 ● Included in Carburetor Kit-Part No. 394698.

⊘ Included in Valve Overhaul Gasket Set-Part No. 498537.

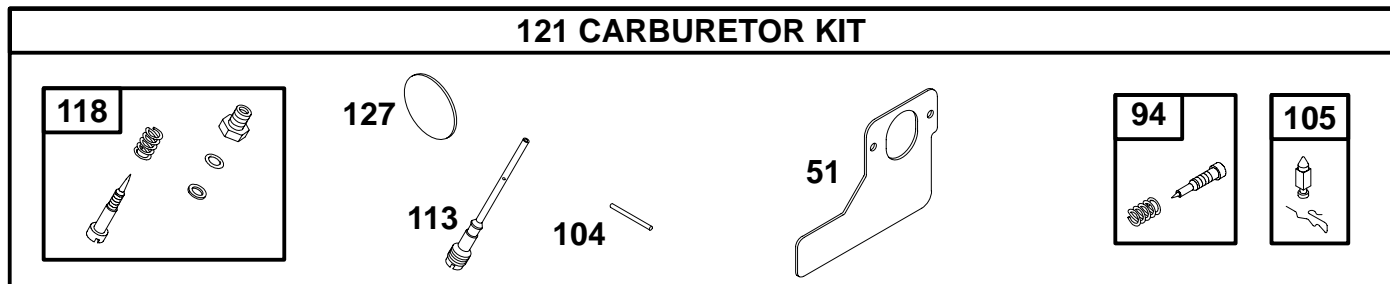
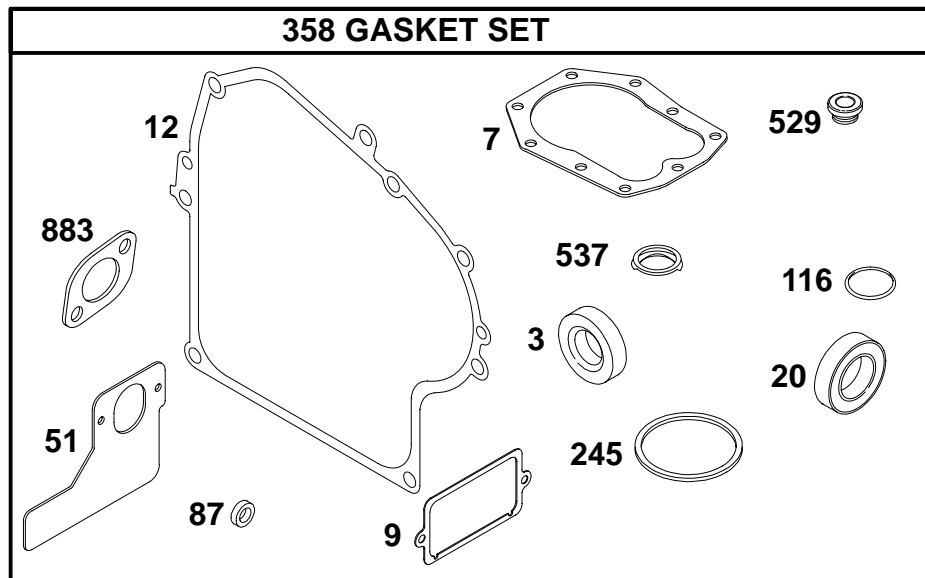
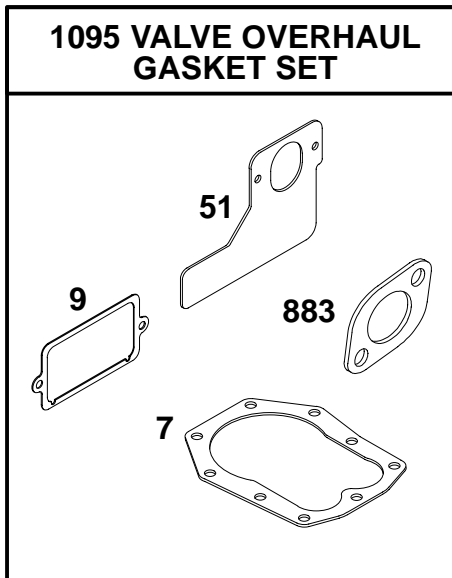
253700 to 253799



| REF. NO. | PART NO. | DESCRIPTION | REF. NO. | PART NO. | DESCRIPTION | REF. NO. | PART NO. | DESCRIPTION |
|----------|----------|---|----------|----------|---|----------|----------|--|
| 309A | | Motor-Starter (For Replacement Starter Motor, See Ref 309, Previous Page.) | 510A | 495878 | Drive-Starter | 802A | 395537 | Cap-End (For 3 5/8" and 4 3/8" Housing Lengths) |
| | 310 | 94003 Bolt (Starter Motor) (For 3 5/8" Housing Length) | 510B | 391461 | Drive-Starter | 803A | 398159 | Housing-Starter (For 3 5/8" Housing Length) |
| | | Note _____ | 513 | 398003 | Clutch-Drive | | | Note _____ |
| | | 95035 Bolt (Starter Motor) (For 4 3/8" Housing Length) | 544A | 390837 | Armature-Starter (For 3 5/8" Housing Length) | | | 494205 Housing-Starter (For 4 9/16" Housing Length) |
| | | 94169 Bolt (Starter Motor) (For 4 9/16" Housing Length) | 697 | 94627 | Screw (Starter Motor Mounting) | 834 | 92507 | Washer (Starter Terminal) |
| 311A | 395538 | Brush Set (For 3 5/8" and 4 3/8" Housing Lengths) | 729B | 224723 | Clip-Wire | 876 | 495877 | Kit-Gear |
| 311B | 490311 | Brush Set (For 4 9/16" Housing Length) | 773 | 391462 | Retainer-Clutch | 896 | 94288 | Pin-Drive Retainer (Copper) |
| | | | 783 | 693059 | Gear-Starter | 896A | 94192 | Pin-Drive Retainer (Black) |
| | | | 797 | 93715 | Nut (Starter Terminal) | 926 | 498233 | Housing/Cap Kit (Hsg. Length 4 9/16") |
| | | | 797A | 693167 | Nut (Starter Terminal) | 1003 | 490316 | Spring-Brush (Hsg. Length 4 9/16") |
| | | | 801A | 394856 | Cap-Drive | | | |

★ Included in Gasket Set-Part No. 393411.
● Included in Carburetor Kit-Part No. 394698.

⊗ Included in Valve Overhaul Gasket Set-Part No. 498537.



| REF. NO. | PART NO. | DESCRIPTION | REF. NO. | PART NO. | DESCRIPTION | REF. NO. | PART NO. | DESCRIPTION | |
|----------|----------|---|-----------------------------------|----------|---------------------|--------------------------------|----------|--------------------|------------------------------|
| 3 | ★391086 | Seal-Oil | 20 | ★291675 | Seal-Oil | 127 | ●221997 | Plug-Welch | |
| 7 | ∅★271866 | Gasket-Cylinder Head | 51 | ∅★270872 | Gasket-Intake | 245 | ★68477 | Gasket-Bowl | |
| 9 | ∅★27803 | Gasket-Breather | 87 | ★491323 | Seal-Governor Shaft | 358 | 492653 | Gasket Set | |
| 12 | ★271702 | Gasket-Crankcase (.015" Thick, Standard) | 94 | ●292681 | Kit-Idle Mixture | 529 | ★281370 | Seal-Fill Tube | |
| | | Note | 104 | ●231435 | Pin-Float Hinge | 537 | ★270853 | Gasket-Air Cleaner | |
| | | ★270915 | Gasket-Crankcase (.005" Thick) | 105 | ●394681 | Valve-Needle (Gravity Feed) | 883 | ∅★272293 | Gasket-Exhaust |
| | | ★270916 | Gasket-Crankcase (.009" Thick) | 113 | ●299740 | Nozzle-Carburetor | 1095 | 498537 | Gasket Set-Valve Overhaul |
| | | | | 116 | ★270920 | Seal-O-Ring | | | |
| | | | | 118 | ●396568 | Valve-High-Speed | | | |
| | | | | 121 | 394698 | Carburetor Kit | | | |

★ Included in Gasket Set-Part No. 393411.

∅ Included in Valve Overhaul Gasket Set-Part No. 498537.

● Included in Carburetor Kit-Part No. 394698.