

**31R800**

# Illustrated Parts List

## Model Series

### 31R800

#### TYPE NUMBERS

0001, 0002, 0003, 0004, 0005, 0006, 0007, 0008, 0009, 0010, 0011,  
0012, 0013, 0014, 0015, 0016, 0017, 0018, 0019, 0020, 0021, 0022,  
0023, 0024, 0025, 0026, 0027, 0028, 0029

Not for  
Reproduction

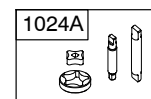
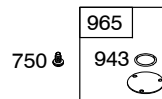
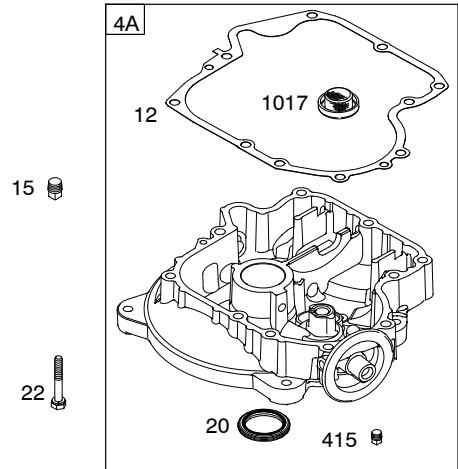
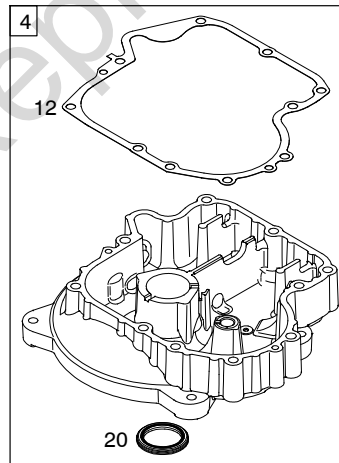
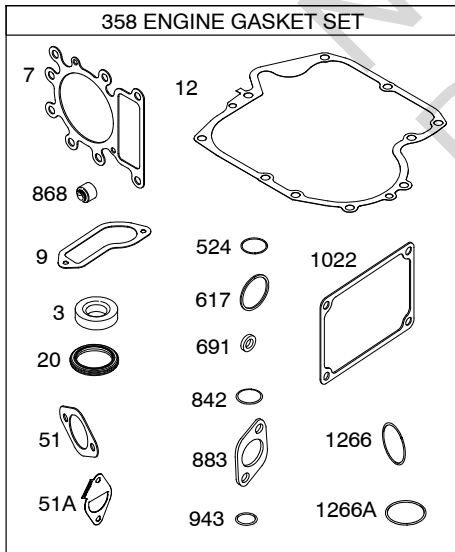
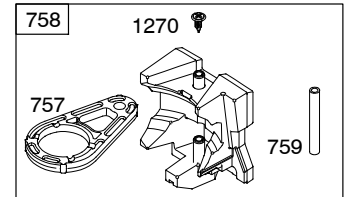
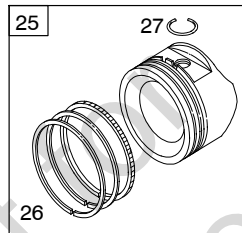
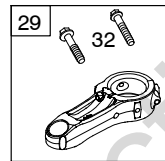
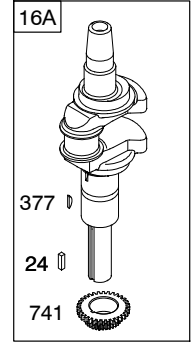
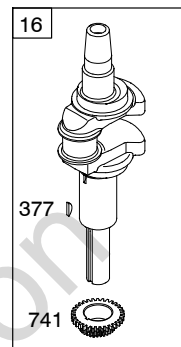
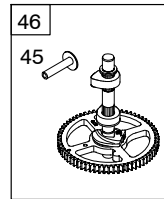
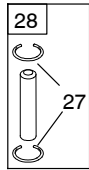
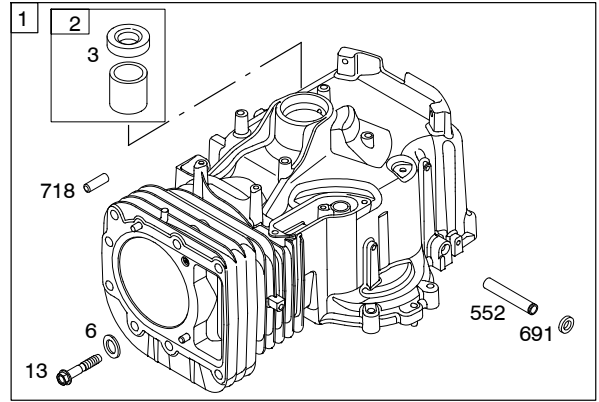
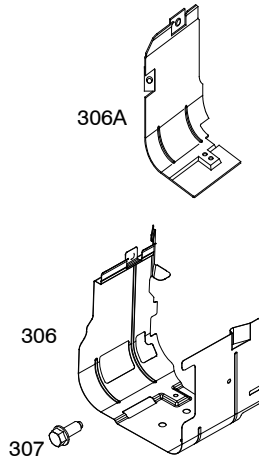
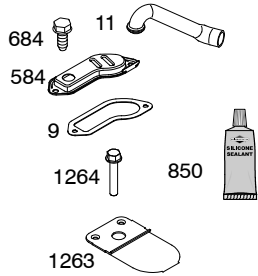


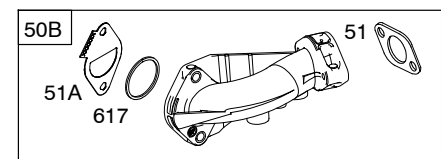
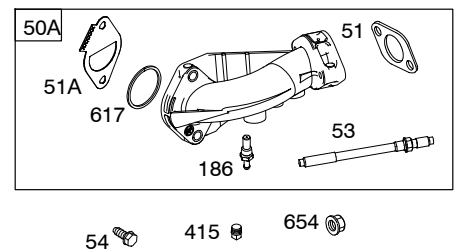
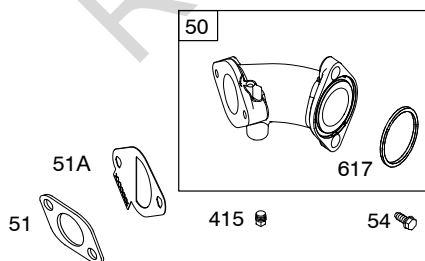
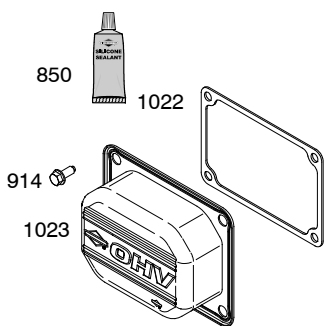
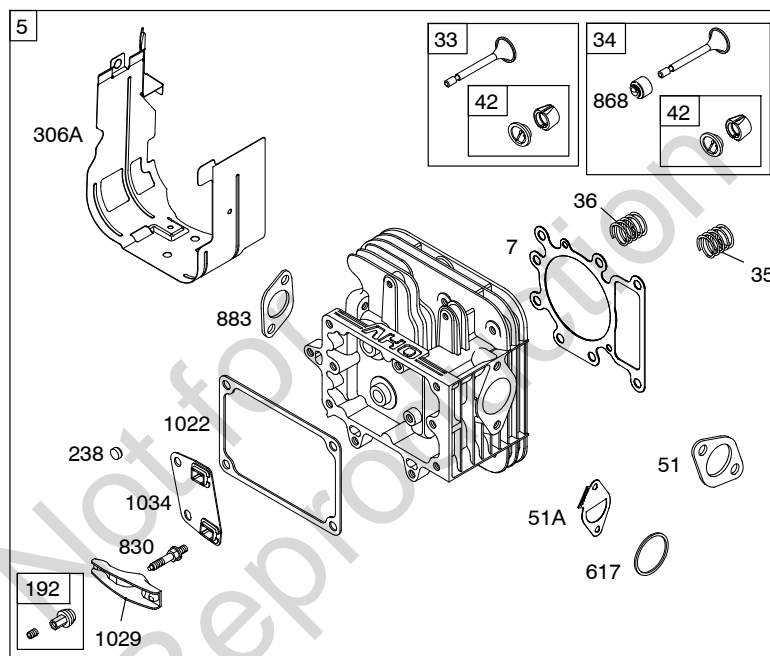
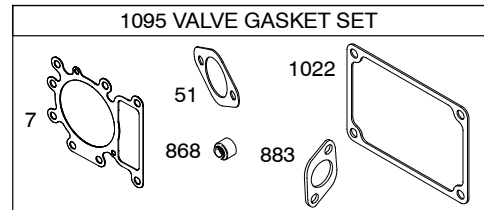
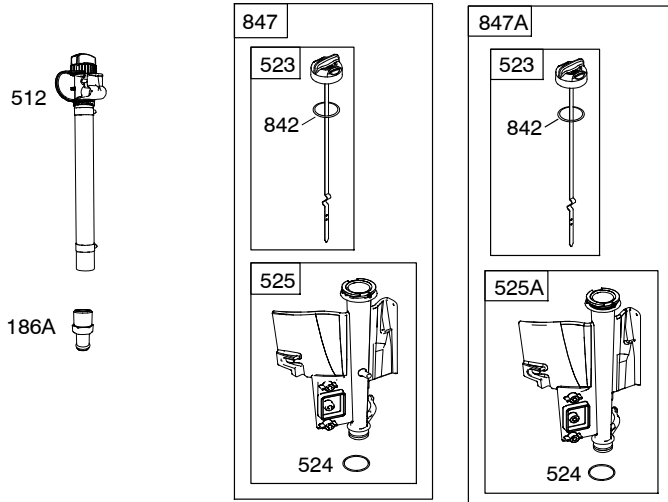
PRINTED IN U.S.A.

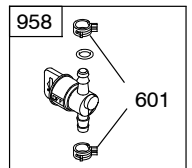
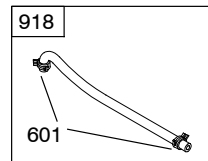
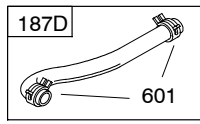
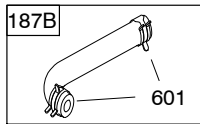
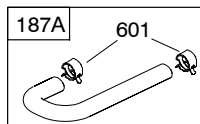
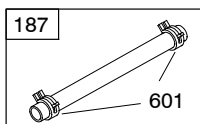
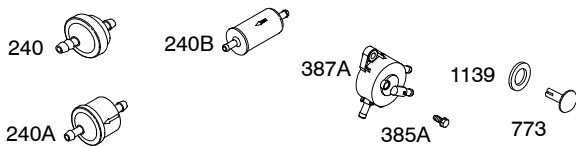
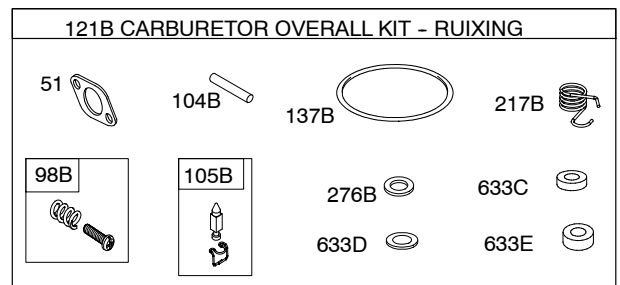
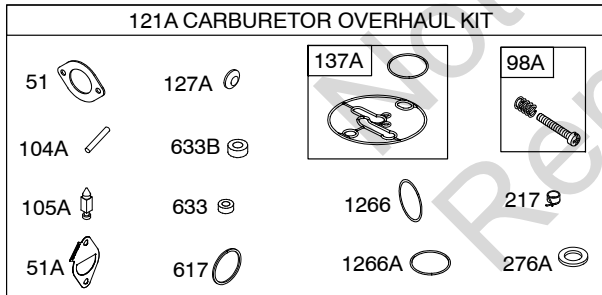
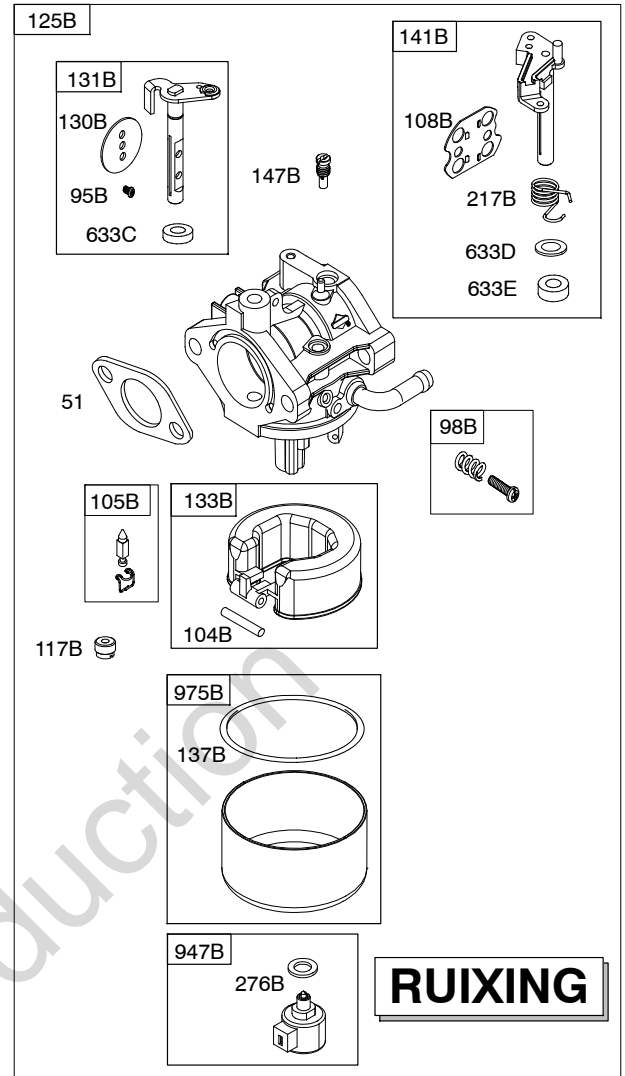
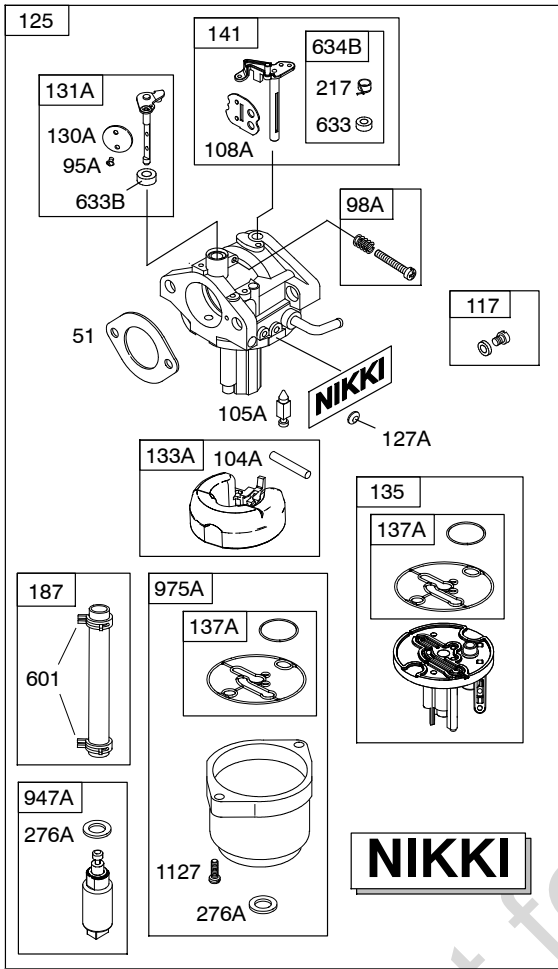
COPYRIGHT by BRIGGS & STRATTON CORPORATION  
All rights reserved. No part of this material may be reproduced or transmitted,  
in any form or by any means, electronic or mechanical, including photocopying,  
recording or by any information storage and retrieval system, without permission  
in writing from Briggs & Stratton Corporation.

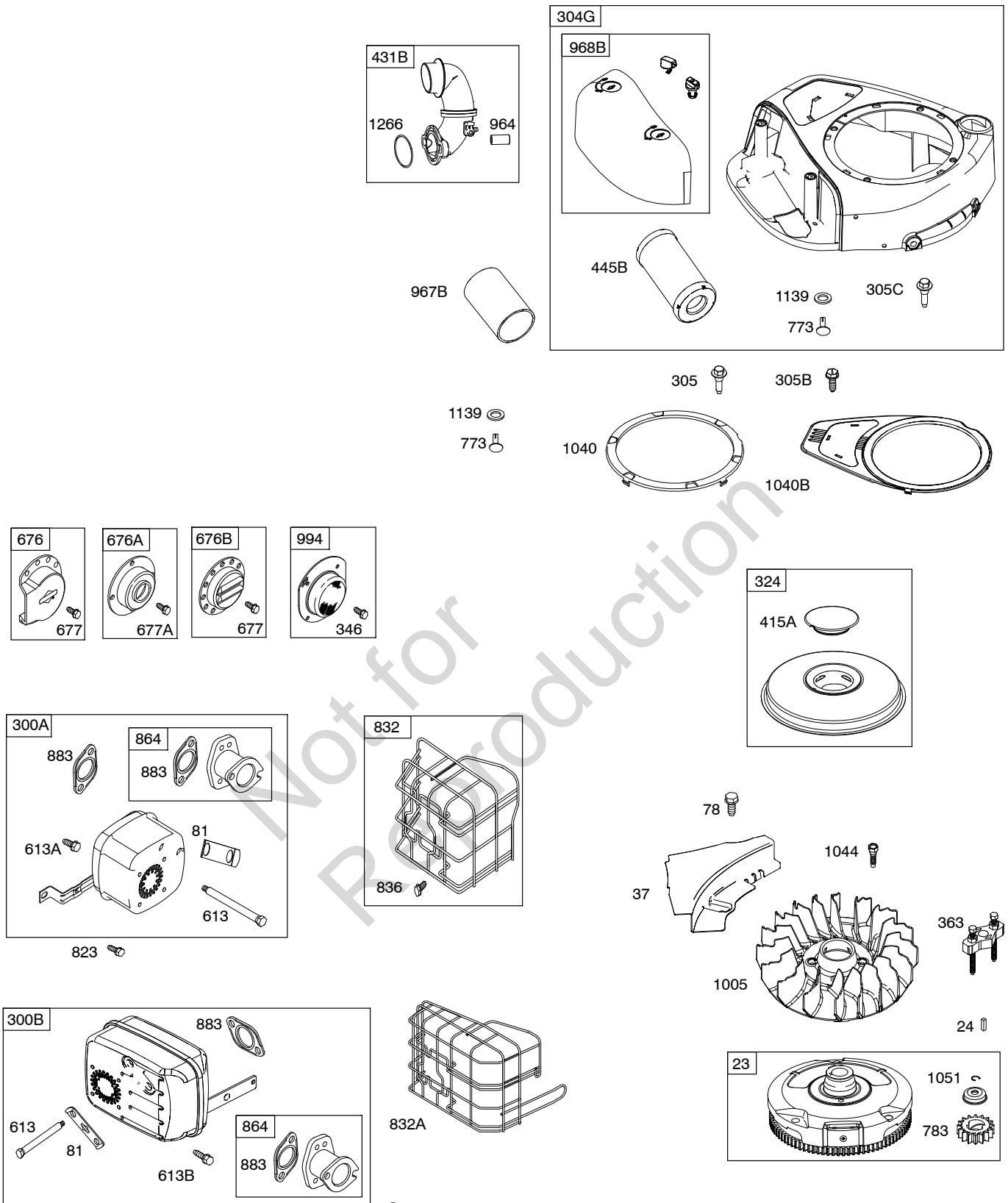
# 31R800

1036 EMISSIONS LABEL  
1319 WARNING LABEL

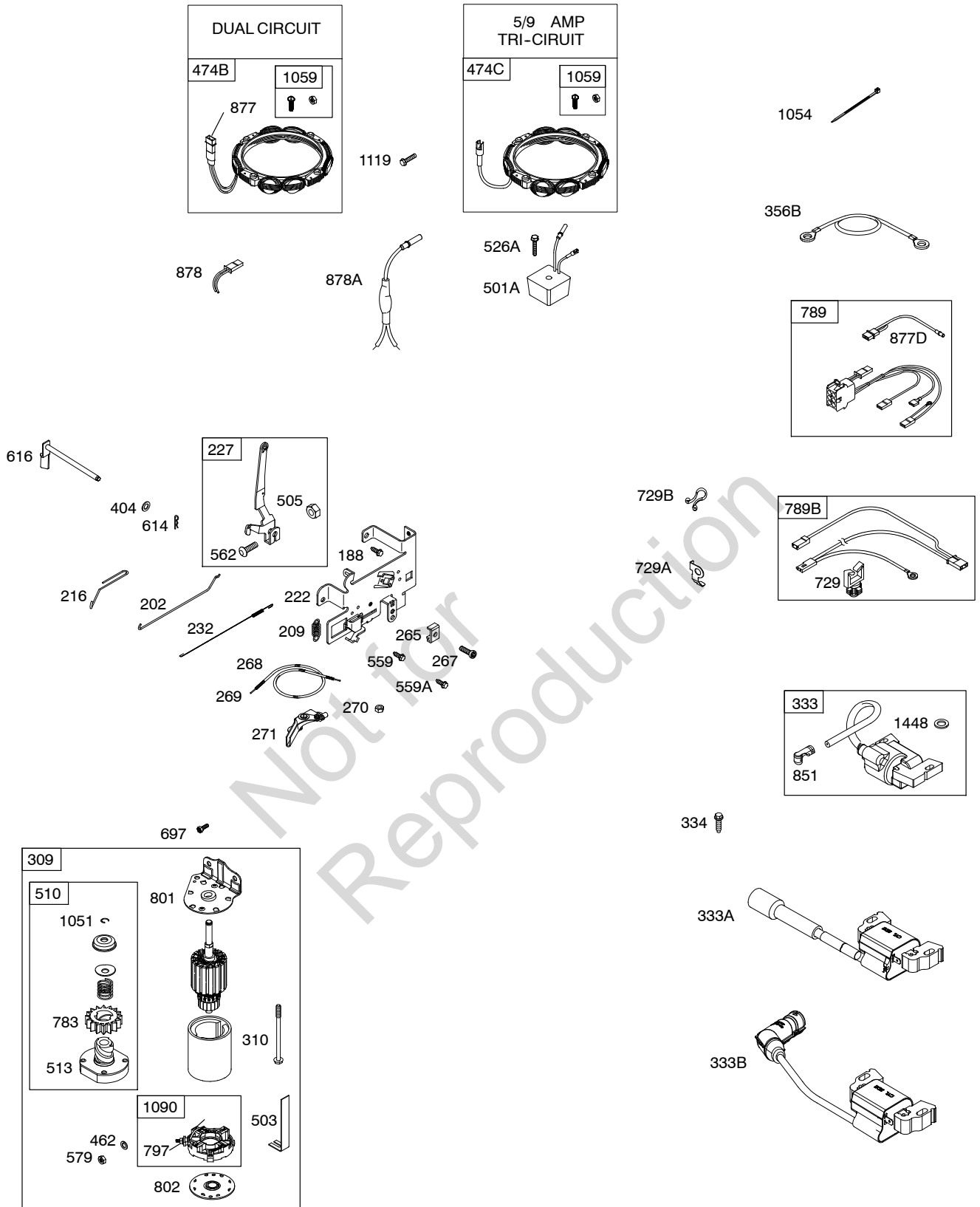








Illustrations cover a range of engines. Parts shown without corresponding text may not be used on your specific engine.  
 10487-5 Assemblies include all parts shown in frames. 03/18/2016



*Illustrations cover a range of engines. Parts shown without corresponding text may not be used on your specific engine.*

# 31R800

REF. NO.	PART NO.	DESCRIPTION	REF. NO.	PART NO.	DESCRIPTION	REF. NO.	PART NO.	DESCRIPTION
1	796010	Cylinder Assembly	23	591758	Flywheel	27	698469	Lock-Piston Pin
2	797673	Kit-Bushing/Seal (Magneto Side)			----- Note -----	28	594439	Pin-Piston (1.62" Long) (Used After Code Date 14100500).
3	391086s	Seal-Oil (Magneto Side)			591759 Flywheel Used on Type No(s). 0008, 0013, 0014, 0017, 0022, 0024, 0026, 0028, 0029.			----- Note -----
4	697106	Sump-Engine			591761 Flywheel Used on Type No(s). 0011, 0012, 0025, 0027.			796007 Pin-Piston (1.97" Long) (Used Before Code Date 14100600).
4A	592849	Sump-Engine Used on Type No(s). 0001, 0002, 0006, 0009, 0010, 0012, 0013, 0015, 0016, 0018, 0019, 0020, 0021, 0022, 0023, 0027.	24	591757	Key-Flywheel			796007 Pin-Piston (1.97" Long) Used on Type No(s). 0007, 0008, 0009.
5	796026	Head-Cylinder	25	594435	Piston Assembly (Standard) (Used After Code Date 14100500).	29	794122	Rod-Connecting (Standard)
6	690310	Washer			----- Note -----	32	791118	Screw (Connecting Rod)
7	796584	Gasket-Cylinder Head			796172 Piston Assembly (Used Before Code Date 14100600).	33	792868	Valve-Exhaust
9	697109	Gasket-Breather (Use Liquid Sealant Reference 850)			796172 Piston Assembly Used on Type No(s). 0007, 0008, 0009.	34	791935	Valve-Intake
11	794683	Tube-Breather			594436 Piston Assembly (.020" Oversize) (Used After Code Date 141005000).	35	691279	Spring-Valve (Intake)
12	697110	Gasket-Crankcase			796173 Piston Assembly (.020" Oversize) (Used Before Code Date 14100600).	36	691279	Spring-Valve (Exhaust)
13	592244	Screw (Cylinder Head) (5/16-18 x 2.69)			796173 Piston Assembly (.020" Oversize) Used on Type No(s). 0007, 0008, 0009.	37	697352	Guard-Flywheel
15	690946	Plug-Oil Drain (Square Head) ----- Note ----- 691680 Plug-Oil Drain (Square Socket)			796173 Piston Assembly (.020" Oversize) Used on Type No(s). 0007, 0008, 0009.	42	499586	Keeper-Valve
16	591762	Crankshaft ----- Note ----- 591762 Crankshaft (Used Before Code Date 14100600). Used on Type No(s). 0003, 0004.			796173 Piston Assembly (.020" Oversize) Used on Type No(s). 0007, 0008, 0009.	43	691968	Slinger-Governor/Oil
16A	591763	Crankshaft (Used After Code Date 14100500). Used on Type No(s). 0003, 0004. ----- Note ----- 591763 Crankshaft Used on Type No(s). 0021.	26	594437	Ring Set (Standard) ----- Note ----- 594438 Ring Set (.020" Oversize) (Used After Code Date 14100500).	45	690564	Tappet-Valve
20	795387	Seal-Oil (PTO Side)			792649 Ring Set (.020" Oversize) (Used Before Code Date 14100600).	46	793880	Camshaft
22	692125	Screw (Crankcase Cover/Sump)			792649 Ring Set (.020" Oversize) Used on Type No(s). 0007, 0008, 0009.	50	591248	Manifold-Intake
						50B	592842	Manifold-Intake
						51	692137	Gasket-Intake
						51A	796081	Gasket-Restrictor
						53	591260	Stud (Carburetor)
						54	691148	Screw (Intake Manifold)
						78	691693	Screw (Flywheel Guard)
						81	691178	Lock-Muffler Screw
						95A	690718	Screw (Throttle Valve) (Nikki) (Used Before Code Date 15113000)
						95B	593897	Screw (Throttle Valve) (Ruixing) (Used After Code Date 15112900).
						98A	695408	Kit-Idle Speed (Nikki) (Used Before Code Date 15113000)

Illustrations cover a range of engines. Parts shown without corresponding text may not be used on your specific engine.  
10487-7 Assemblies include all parts shown in frames. 03/18/2016

# 31R800

REF. NO.	PART NO.	DESCRIPTION	REF. NO.	PART NO.	DESCRIPTION	REF. NO.	PART NO.	DESCRIPTION
98B	846817	Kit-Idle Speed (Ruixing) (Used After Code Date 15112900).	125A	591731	Carburetor (Nikki) (Used Before Code Date 15113000)	186	794873	Hose-Connector
104A	694918	Pin-Float Hinge (Nikki) (Used Before Code Date 15113000)	125B	594593	Carburetor (Ruixing) (Used After Code Date 15112900).	186A	796532	Hose-Connector (Oil Drain)
104B	594860	Pin-Float Hinge (Ruixing) (Used After Code Date 15112900).	127A	690727	Plug-Welch (Nikki)	187	791766	Line-Fuel (Straight)(Cut to Required Length)
105A	696136	Valve-Float Needle (Nikki) (Used Before Code Date 15113000)	130A	699500	Valve-Throttle (Nikki) (Used Before Code Date 15113000)	187A	796491	Line-Fuel (Formed) (Cut to Required Length)
105B	594868	Valve-Float Needle (Ruixing) (Used After Code Date 15112900).	130B	594857	Valve-Throttle (Ruixing) (Used After Code Date 15112900).	187B	791805	Line-Fuel (Formed) (Cut to Required Length)
108A	698773	Valve-Choke (Nikki) (Used Before Code Date 15113000)	131A	699501	Kit-Throttle Shaft (Nikki) (Used Before Code Date 15113000)	187D	791744	Line-Fuel (Formed) (Cut to Required Length)
108B	594863	Valve-Choke (Ruixing) (Used After Code Date 15112900).	131B	594855	Kit-Throttle Shaft (Ruixing) (Used After Code Date 15112900).	188	691693	Screw (Control Bracket)
117	591936	Jet-Main (Standard) (Used Before Code Date 15113000)	133A	694914	Float-Carburetor (Nikki) (Used Before Code Date 15113000)	192	691986	Adjuster-Rocker Arm
117B	594869	Jet-Main (Ruixing) (Standard) (Used After Code Date 15112900).	133B	594859	Float-Carburetor (Ruixing) (Used After Code Date 15112900).	202	691841	Link-Mechanical Governor
118	695415	Jet-Main (5000)(High Altitude) (Used Before Code Date 15113000)	135	796400	Tube-Fuel Transfer	209	796260	Spring-Governor (Green)
118B	595070	Jet-Main (Ruixing) (High Altitude) (Used After Code Date 15112900).	137A	698781	Gasket-Float Bowl (Nikki) (Used Before Code Date 15113000)	----- Note -----		
121A	796184	Kit-Carburetor Overhaul (Nikki) (Used Before Code Date 15113000)	137B	594861	Gasket-Float Bowl (Ruixing) (Used After Code Date 15112900).	796261	Spring-Governor (Yellow) Used on Type No(s). 0001, 0002, 0003, 0004, 0005, 0006, 0021.	
121B	594886	Kit-Carburetor Overhaul (Ruixing Carburetor) (Used After Code Date 15112900).	141	698778	Kit-Choke Shaft (Used Before Code Date 15113000)	792602	Spring-Governor (Red) Used on Type No(s). 0015, 0016.	
			141B	594862	Kit-Choke Shaft (Ruixing) (Used After Code Date 15112900).	690576	Spring-Governor (Gold) Used on Type No(s). 0011, 0012, 0019, 0025, 0027.	
			147B	594870	Jet-Pilot (Ruixing) (Used After Code Date 15112900).	216	691840	Link-Choke
						217	695409	Spring-Choke Return (Used Before Code Date 15113000)
						217B	594864	Spring-Choke (Ruixing) (Used After Code Date 15112900).

Illustrations cover a range of engines. Parts shown without corresponding text may not be used on your specific engine.



# 31R800

REF. NO.	PART NO.	DESCRIPTION	REF. NO.	PART NO.	DESCRIPTION	REF. NO.	PART NO.	DESCRIPTION
222	694042	Bracket-Control	333	799650	Armature-Magneto (Used Before Code Date 16070100)	431B	797901	Elbow-Intake (Compatible With Canister Style Filter)
227	691374	Lever-Governor Control	333A	594626	Armature-Magneto (Used After Code Date 16063000)	445B	594201	Filter-Air Cleaner Cartridge (Canister Style Filter)
232	691842	Spring-Governor Link			Used on Type No(s). 0007, 0008, 0015, 0018, 0020, 0022, 0023, 0024.	462	691261	Washer (Starter Cable)
238	691843	Cap-Valve	333B	595304	Armature-Magneto (EMC Compliant) (Used After Code Date 16063000)	474B	592831	Alternator (Dual Circuit) Used on Type No(s). 0008, 0011, 0012, 0013, 0014, 0017, 0022, 0024, 0025, 0026, 0027, 0028, 0029.
240	394358s	Filter-Fuel (White, 75 Microns)			Used on Type No(s). 0001, 0002, 0003, 0004, 0005, 0006, 0009, 0011, 0012, 0016, 0017, 0019, 0021, 0025, 0026, 0027, 0028, 0029.	474C	592829	Alternator (Tri Circuit) (5/9 Amp. Regulated)
240A	691035	Filter-Fuel (Includes 40 Micron Paper Element)	334	691061	Screw (Magneto Armature)	501A	794360	Regulator (5/9 Amp.) Used on Type No(s). 0001, 0004, 0008, 0009, 0010.
240B	695666	Filter-Fuel (Includes 30 Micron Paper Element)	337	792015	Plug-Spark (EMS)	503	691532	Strap-Starter
265	691024	Clamp-Casing			----- Note -----	505	691251	Nut (Governor Control Lever)
267	794904	Screw (Casing Clamp)			491055s Plug-Spark (Resistor) Used on Type No(s). 0013, 0014, 0015, 0018, 0020, 0022, 0023, 0024.	510	693699	Drive-Starter
268	691025	Casing-Control Wire (Cut To Required Length)			691043 Plug-Spark (EMS) Used on Type No(s). 0007, 0008.	512	594200	Hose-Oil Drain
269	691026	Wire-Control (Cut To Required Length)	346	794845	Screw (Spark-Arrester)	513	692024	Clutch-Drive
270	691027	Nut (Control Wire Casing)	356B	697089	Wire-Stop	523	699908	Dipstick
271	691028	Lever-Control	358	796187	Gasket Set-Engine	524	691032	Seal-Dipstick Tube
276A	695410	Washer-Sealing (Used Before Code Date 15113000)	363	19203	Puller-Flywheel (71.5mm (2.812"))	525	697085	Tube-Dipstick (With Tube Connector)
276B	846640	Washer-Sealing (Ruixing) (Used After Code Date 15112900).	377	691639	Key-Woodruff	525A	697184	Tube-Dipstick (Standard)
300A	795998	Muffler	383	19576s	Wrench-Spark Plug (5/8" & 13/16")	526A	697088	Screw (Regulator)
300B	795997	Muffler	385A	690297	Screw (Fuel Pump)	552	697144	Bushing-Governor Crank
304G	591642	Housing-Blower (Black-Compatible With Canister Style Filter)	387A	808656	Pump-Fuel	559	697561	Screw (.375 Inches Remote Choke Stop)
305	697102	Screw (Shoulder)(Blower Housing)	404	691691	Washer (Governor Crank)	559A	693675	Screw (.419 Inches Remote Choke Stop)
305B	795891	Screw (Self Threading)	415	794903	Plug (Engine Sump)	562	691119	Bolt (Governor Control Lever)
305C	799370	Screw (Shoulder)(Blower Housing)	415A	794129	Plug (Cover/Retainer)	579	691029	Nut (Starter Cable)
306	592777	Shield-Cylinder						
306A	794953	Shield-Cylinder						
307	691693	Screw (Cylinder Shield)						
309	693551	Motor-Starter						
310	690323	Screw (Starter Motor) (#10-24 X 4.44)						
324	593933	Screen-Rotating						

Illustrations cover a range of engines. Parts shown without corresponding text may not be used on your specific engine.  
10487-9 Assemblies include all parts shown in frames. 03/18/2016

# 31R800

REF. NO.	PART NO.	DESCRIPTION	REF. NO.	PART NO.	DESCRIPTION	REF. NO.	PART NO.	DESCRIPTION
584	794682	Cover-Breather Passage (Use With Liquid Sealant Reference 850)	691	692407	Seal-Governor Shaft	868	690968	Seal-Valve
601	791850	Clamp-Hose	697	791680	Screw (Drive Cap)	877	393456	Wire/Connector-Alternator (Dual Circuit)
613	691416	Screw (Muffler)	718	690959	Pin-Locating	877D	790544	Wire/Connector-Alternator
613A	691678	Screw (Muffler) (5/16"-18 X .63)	729	691335	Clip-Wire (Wire Saddle)	878	398661	Harness-Alternator (Dual Circuit)
613B	690297	Screw (Muffler) (1/4-20 X .63)	729A	691224	Clip-Wire (Aluminum Coated Steel)	878A	691955	Harness-Alternator (Tri Circuit)
614	691620	Pin-Cotter	729B	694123	Clip-Wire	883	692236	Gasket-Exhaust
616	692012	Crank-Governor	741	697128	Gear-Timing	914	691108	Screw (Rocker Cover)
617	692138	Seal-O Ring (Intake Manifold)	750	790832	Screw (Oil Pump Cover)	918	791851	Hose-Vacuum (Fuel Pump)
633	699813	Seal-Choke/Throttle Shaft (Nikki) (Used Before Code Date 15113000)	757	793242	Link-Counterweight	943	690589	Seal-O Ring (Oil Pump Cover)
633B	690998	Seal-Throttle Shaft (Nikki) (Used Before Code Date 15113000)	758	594443	Counterweight (Used After Code Date 14100500).	947A	699915	Solenoid-Fuel (Nikki) (Used Before Code Date 15113000)
633C	594866	Seal-Choke/Throttle Shaft (Ruixing) (Used After Code Date 15112900).	----- Note ----- 793763 Counterweight (Used Before Code Date 14100600). 793763 Counterweight Used on Type No(s). 0007, 0008, 0009.			947B	846639	Solenoid-Fuel (Ruixing) (Used After Code Date 15112900).
633D	594865	Seal-Choke/Throttle Shaft (Ruixing) (Used After Code Date 15112900).	759	697392	Pin-Counterweight	958	698183	Valve-Fuel Shut Off
633E	797629	Seal-Choke/Throttle Shaft (Ruixing) (Used After Code Date 15112900).	773	796448	Retainer	964	799159	Cap-Connector (EVAP)
634B	698779	Spring/Seal Assembly (Nikki)	783	593935	Gear-Pinion	965	499613	Cover-Oil Pump
635	691909	Boot-Spark Plug	789	698329	Harness-Wiring	967B	797704	Filter-Pre Cleaner
654	690958	Nut (Carburetor)	789B	692037	Harness-Wiring	968B	591647	Cover-Air Cleaner (Black) (Compatible With Canister Style Filter)
676	795036	Deflector-Muffler	789C	594359	Wire Assembly	975A	699502	Bowl-Float (Nikki) (Used Before Code Date 15113000)
676A	396903	Deflector-Muffler	797	693167	Nut (Brush Retainer)	975B	594867	Bowl-Float (Ruixing) (Used After Code Date 15112900).
676B	795038	Deflector-Muffler	801	691283	Cap-Drive	994	794945	Arrestor-Spark
677	794845	Screw (Muffler Deflector)	802	691286	Cap-End	1005	796083	Fan-Flywheel
677A	690661	Screw (Muffler Deflector)	823	698941	Screw (Muffler Adapter)	1017	796981	Screen-Oil Pump (Push In)
684	697157	Screw (Breather Assembly)	830	691095	Stud-Rocker Arm	1022	272475s	Gasket-Rocker Cover (Use Liquid Sealant Reference 850)
			832	790293	Guard-Muffler	1023	797421	Cover-Rocker
			832A	595029	Guard-Muffler	1024A	794644	Pump-Oil
			836	690367	Screw (#8-18 X .56)			
			842	691031	Seal-O Ring (Dipstick Tube)			
			847	790443	Dipstick/Tube Assembly (With Tube Connector)			
			847A	790442	Dipstick/Tube Assembly			
			850	100106	Sealant-Liquid (Rocker Cover Gasket and Breather Gasket)			
			851	692424	Terminal-Spark Plug			
			864	796002	Adapter-Muffler (Length 2.25 Inches)			

Illustrations cover a range of engines. Parts shown without corresponding text may not be used on your specific engine.  
10487-10 Assemblies include all parts shown in frames. 03/18/2016

# 31R800

REF. NO.	PART NO.	DESCRIPTION	REF. NO.	PART NO.	DESCRIPTION	REF. NO.	PART NO.	DESCRIPTION
1026	692003	Rod-Push (Intake)	1040	698368	Plate-Trim	1139	796449	Washer
		----- <b>Note</b> -----	1040B	699852	Plate-Trim	1263	697124	Reed-Breather
		692011 Rod-Push (Exhaust)	1044	698139	Screw (Flywheel)	1264	697104	Screw (Breather Reed)
1027	696854	Filter-Oil (Premium)	1051	691265	Ring-Retaining	1266	691917	Seal-O Ring (Intake Elbow)
		----- <b>Note</b> -----	1054	280275	Tie-Cable	1266A	697123	Seal-O Ring (Intake Elbow)
		492932s Filter-OIL (Standard Black)	1059	698516	Kit-Screw/Washer	1270	793243	Plug-AVS Counterweight
1029	691751	Arm-Rocker	1090	691293	Retainer-Brush	1319	794467	Label-Warning
1034	690822	Guide-Push Rod	1095	794152	Gasket Set-Valve	1448	690260	Washer (Magneto Armature)
1036		Label-Emissions (Available From A Briggs & Stratton Authorized Dealer)	1119	691183	Screw (Alternator)			
			1127	695407	Screw (Float Bowl)			

Not for  
Reproduction