

311700

Illustrated Parts List

Model Series

311700

TYPE NUMBERS
0005 through 0209.

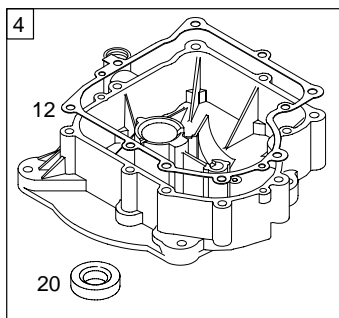
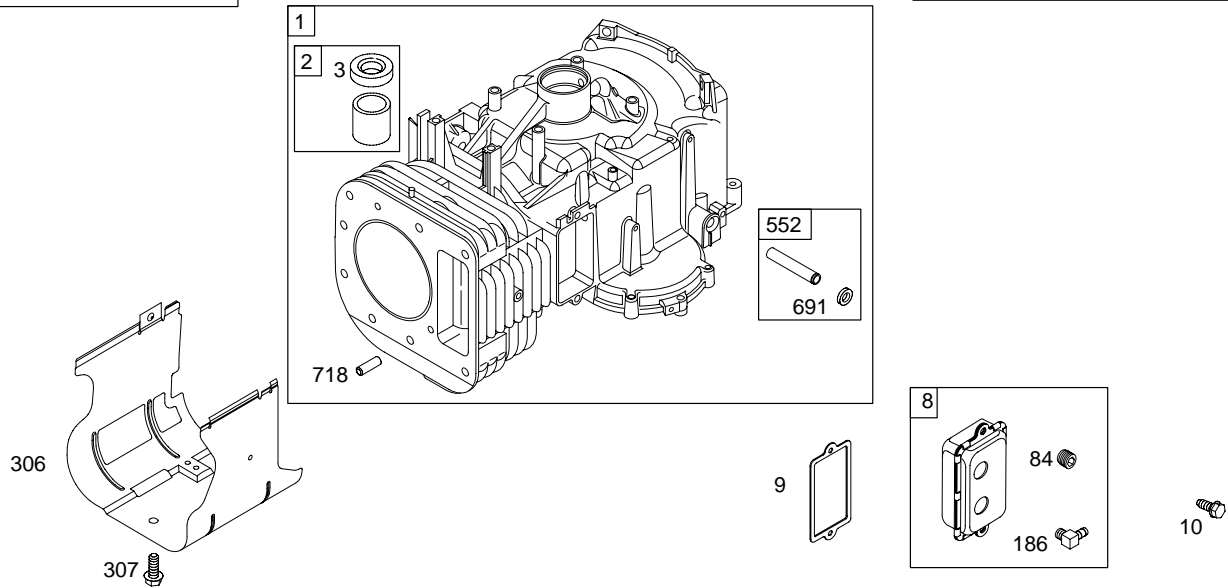
TABLE OF CONTENTS

| | |
|---------------------------------|---|
| Air Cleaner | 7 |
| Alternator | 9 |
| Blower Housing | 6 |
| Cam | 3 |
| Carburetor | 5 |
| Controls | 9 |
| Crankcase Cover/Sump | 2 |
| Crankshaft | 3 |
| Cylinder | 2 |
| Electric Starter | 8 |
| Flywheel | 8 |
| Fuel | 7 |
| Head | 4 |
| Ignition | 9 |
| Kits/Gaskets – Carburetor | 5 |
| Kits/Gaskets – Engine | 2 |
| Kits/Gaskets – Valve | 4 |
| Muffler | 7 |
| Oil | 3 |
| Piston | 3 |

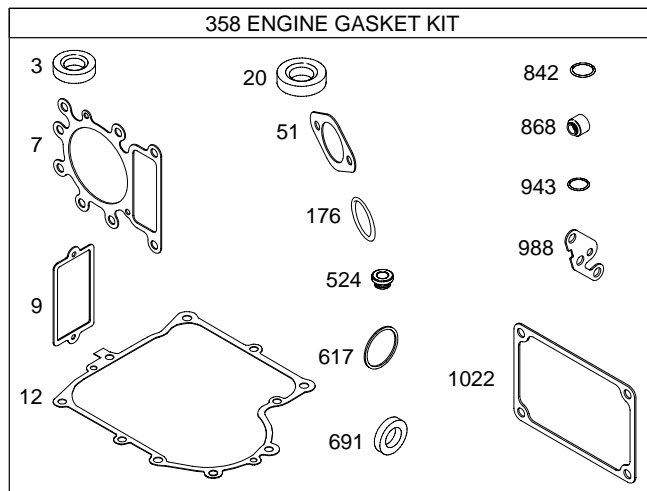
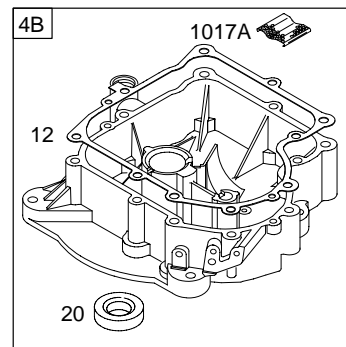
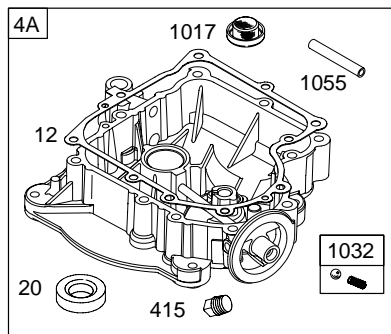


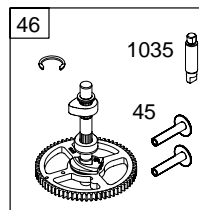
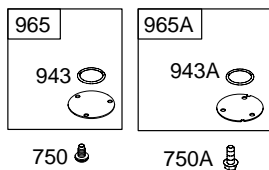
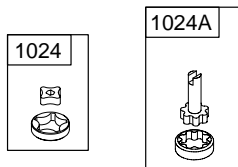
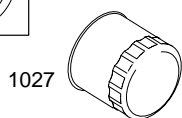
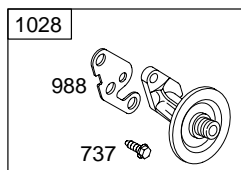
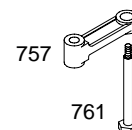
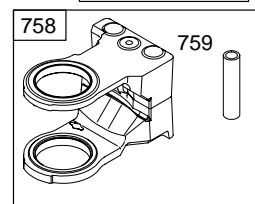
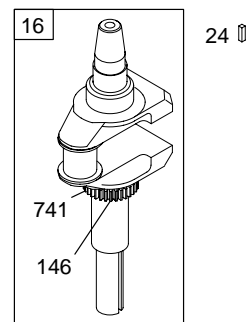
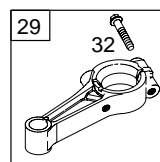
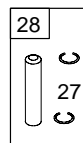
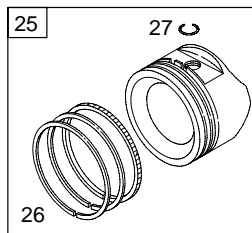
PRINTED IN U.S.A.

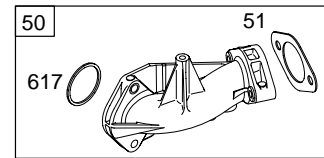
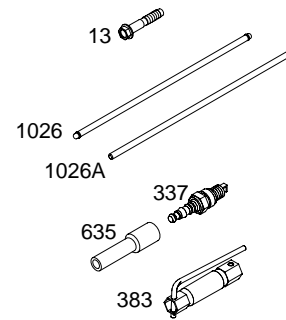
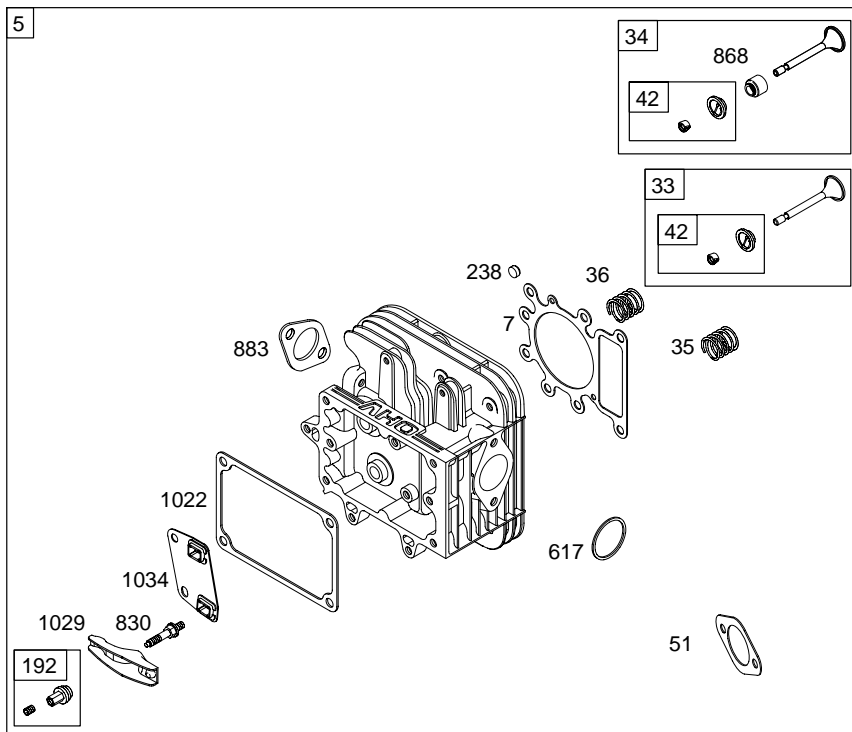
COPYRIGHT by BRIGGS & STRATTON CORPORATION
All rights reserved. No part of this material may be reproduced or transmitted,
in any form or by any means, electronic or mechanical, including photocopying,
recording or by any information storage and retrieval system, without permission
in writing from Briggs & Stratton Corporation.



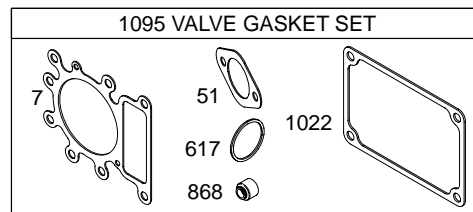
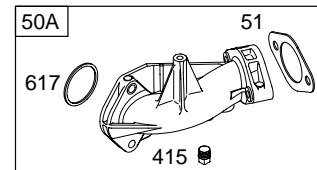
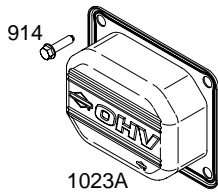
- 15 (nut)
- 15A (nut)
- 22 (screw)





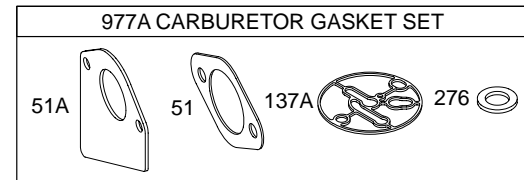
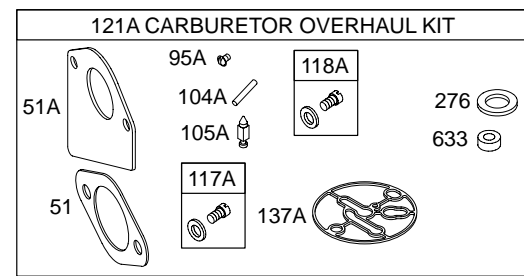
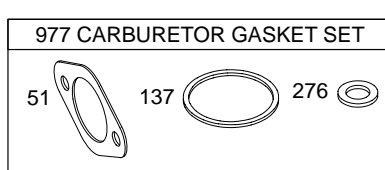
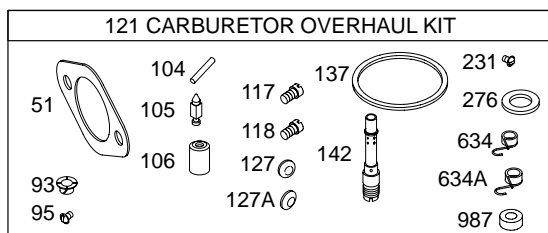
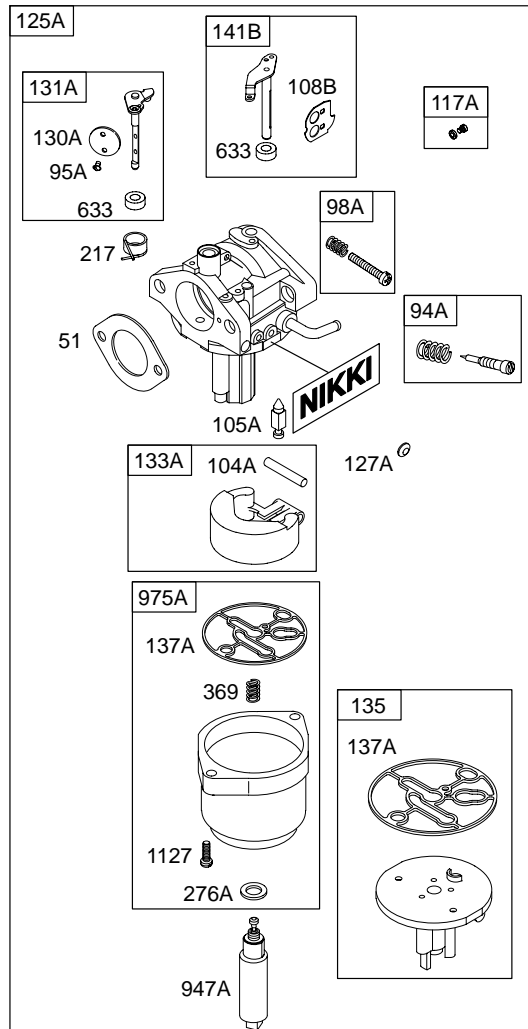
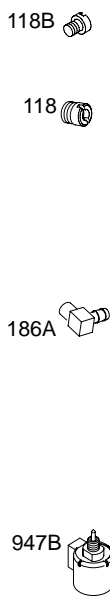
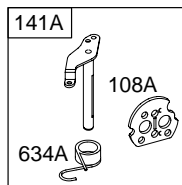
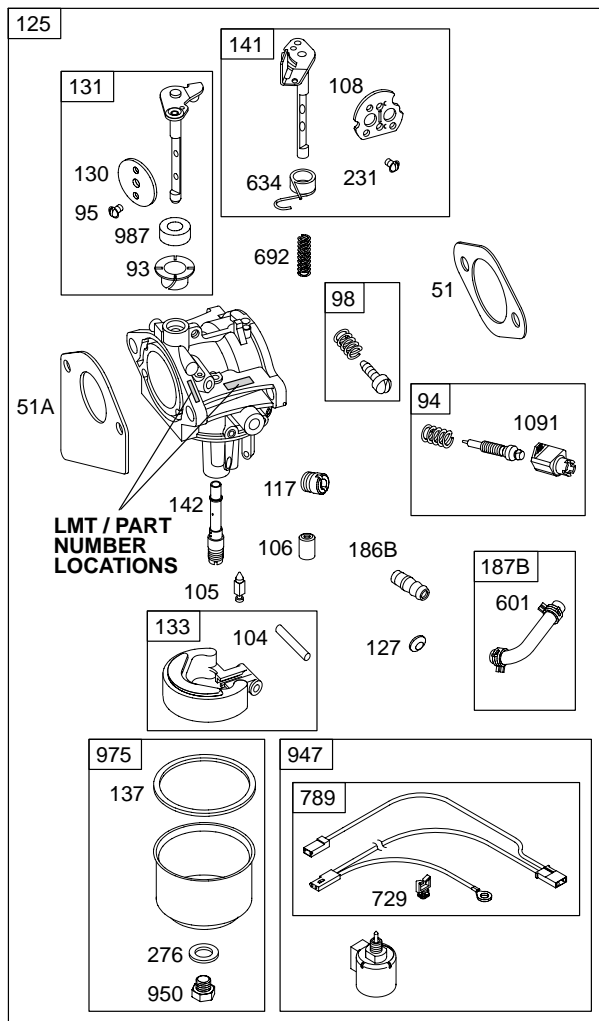


54



WALBRO

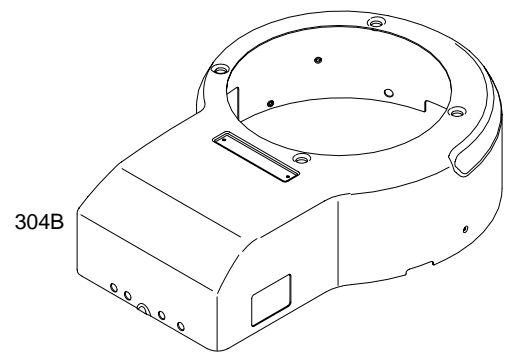
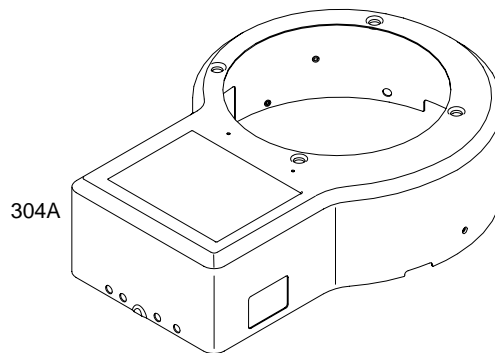
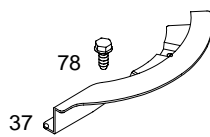
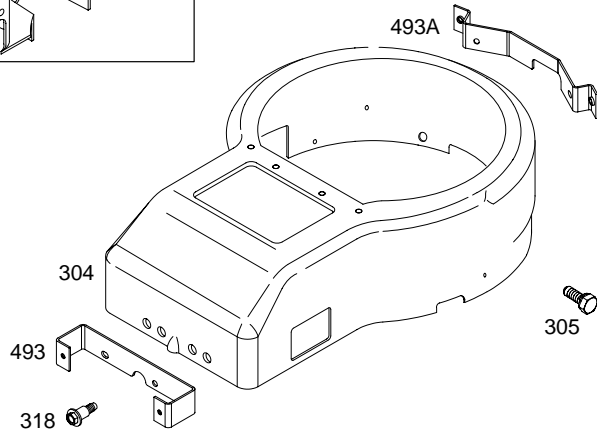
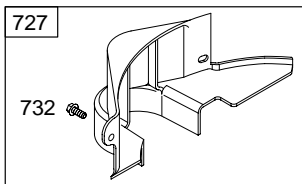
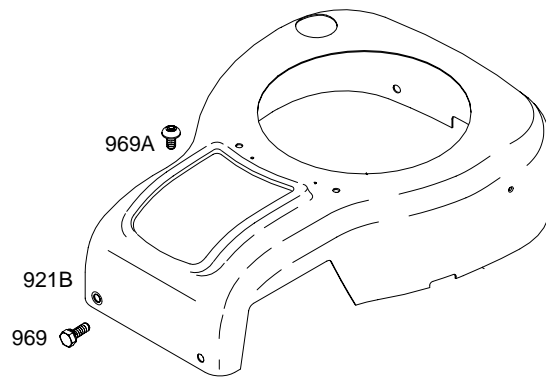
NIKKI

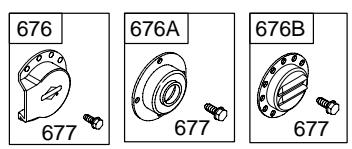
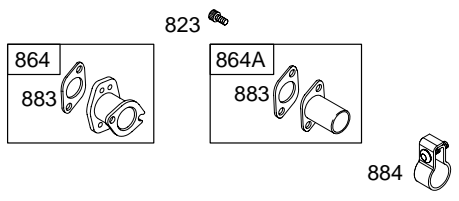
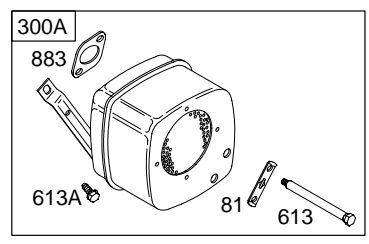
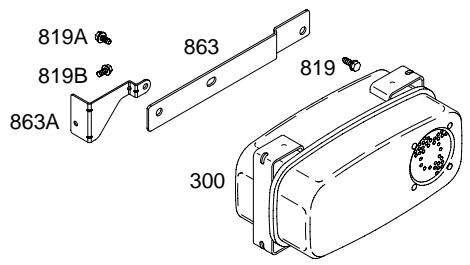
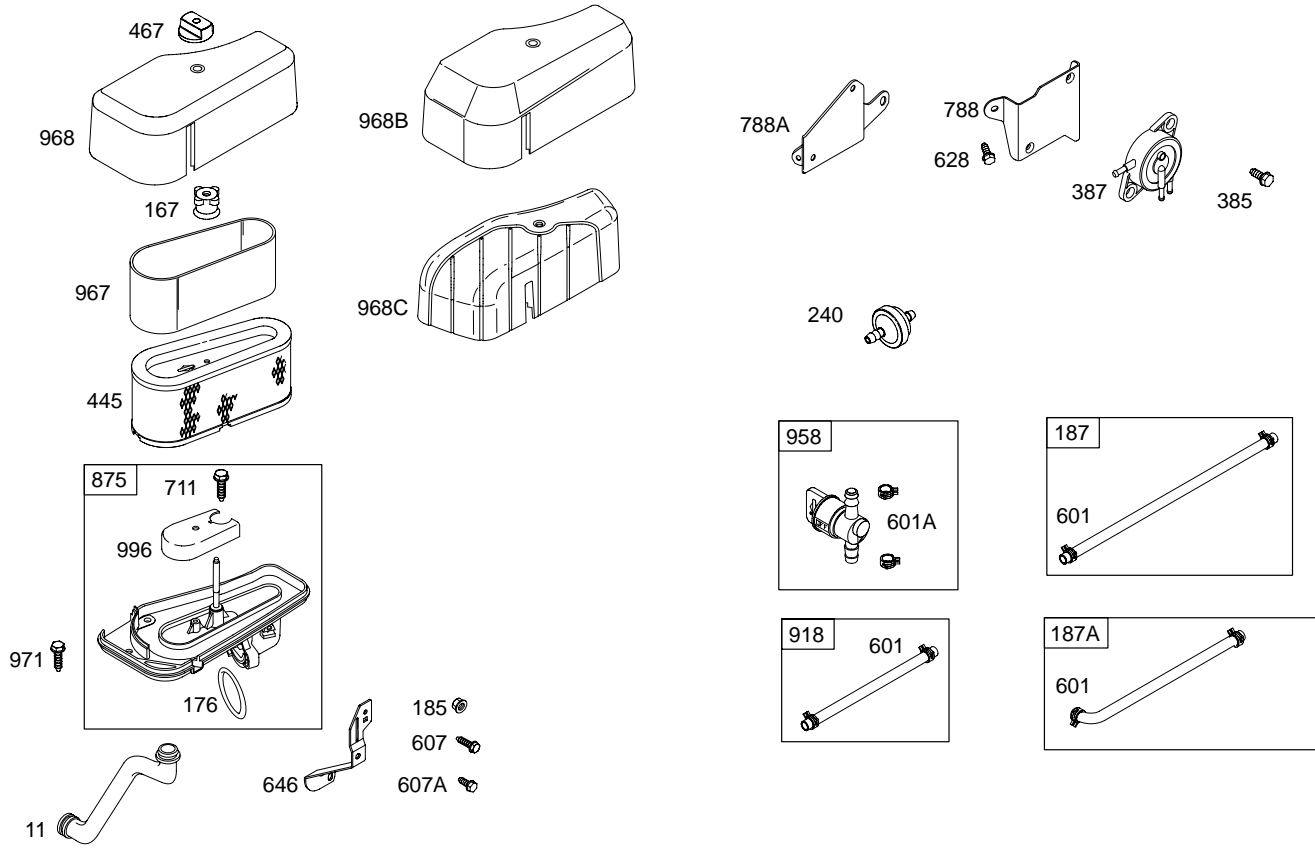


311700

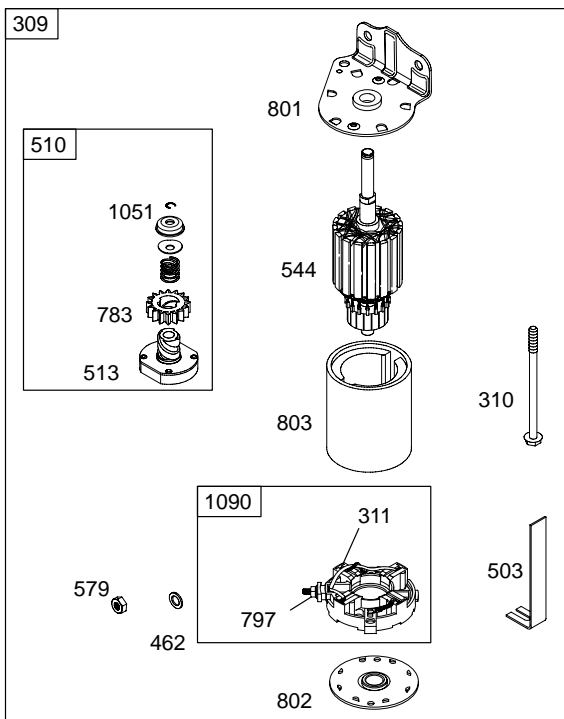
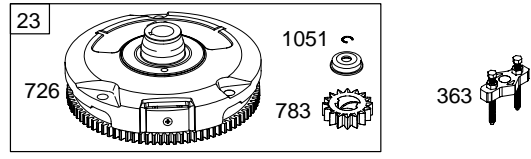
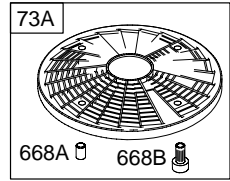
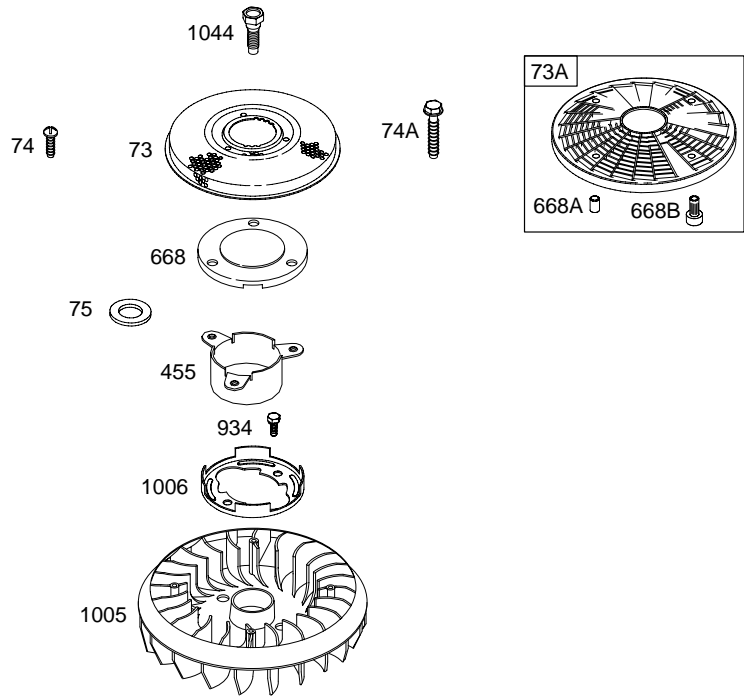
1019 LABEL KIT

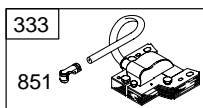
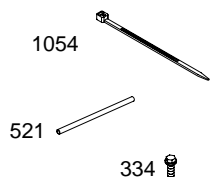
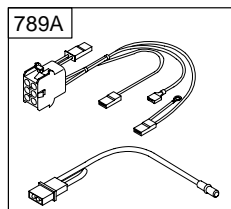
1036 EMISSIONS LABEL



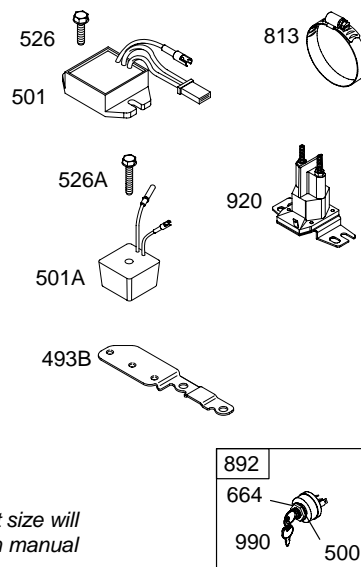


311700



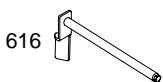


| DUAL CIRCUIT | TRI CIRCUIT | 10 – 16 AMP |
|-----------------------------|------------------------------|------------------------------|
| 474B 877 1059 | 474C 877B 1059 | 474D 877C 1059 |
| 878 | 878A | 578 |

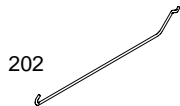
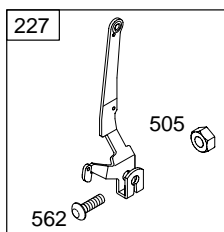


NOTE: All stators use a Reference 1119 mounting screw.

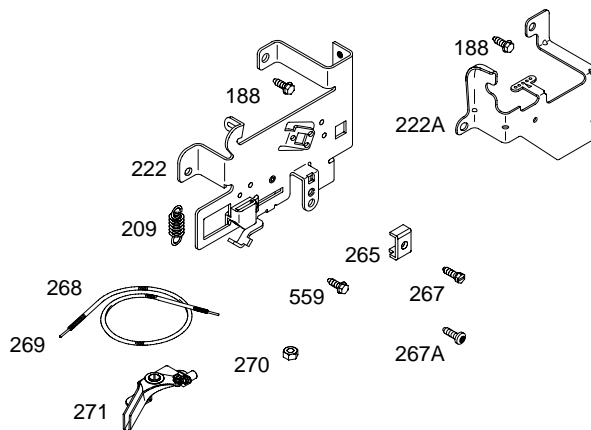
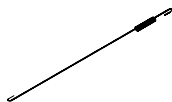
NOTE: The proper flywheel part number and/or the alternator magnet size will determine the alternator type or output. See repair instruction manual for additional information.



404 @



232



311700

| REF. NO. | PART NO. | DESCRIPTION | REF. NO. | PART NO. | DESCRIPTION | REF. NO. | PART NO. | DESCRIPTION |
|----------|----------|---|----------|----------|---|----------|----------|--|
| 1 | 690156 | Cylinder Assembly | 23 | 693557 | Flywheel (Steel Ring Gear) | 33 | 695760 | Valve-Exhaust |
| 2 | 399265 | Kit-Bushing/Seal (Magneto Side) | | | Note | 34 | 695761 | Valve-Intake |
| 3 | ★391086 | Seal-Oil (Magneto Side) | | | 693556 Flywheel (Steel Ring Gear) | 35 | 691279 | Spring-Valve (Intake) |
| 4 | 494238 | Sump-Engine Used on Type No(s). 0026, 0028, 0114, 0121, 0125, 0132, 0138, 0145, 0146. | | | Used on Type No(s). 0026, 0028, 0036, 0038, 0070, 0114, 0115, 0116, 0117, 0121, 0131, 0138, 0139, 0140, 0144, 0145, 0148, 0151, 0153, 0154, 0159, 0162, 0164, 0165. | 36 | 691279 | Spring-Valve (Exhaust) |
| 4A | 693582 | Sump-Engine (Used After Code Date 98063000). | | | | 37 | 690456 | Guard-Flywheel |
| 4B | 496742 | Sump-Engine (Used Before Code Date 98070100). | 24 | 222698 | Key-Flywheel | 42 | 499586 | Keeper-Valve |
| 5 | 698148 | Head-Cylinder | 25 | 692271 | Piston Assembly (Standard) | 43 | 691968 | Slinger-Governor/Oil |
| 7 | △★699168 | Gasket-Cylinder Head | | | Note | 45 | 690564 | Tappet-Valve |
| 8 | 696126 | Breather Assembly | | | 692273 Piston Assembly (.020" Oversize) | 46 | 698492 | Camshaft (Used After Code Date 02111700). |
| 9 | ★27803 | Gasket-Breather | | | 692274 Piston Assembly (.030" Oversize) | | | Note |
| 10 | 691666 | Screw (Breather Assembly) | | | | 50 | 690193 | Manifold-Intake |
| 11 | 691328 | Tube-Breather | 26 | 690162 | Ring Set (Standard) | 50A | 695527 | Manifold-Intake Used on Type No(s). 0116, 0138, 0154. |
| 12 | ★692226 | Gasket-Crankcase (.015" Thick, Standard) | | | Note | 51 | ◆692137 | Gasket-Intake |
| | | Note | | | 690164 Ring Set (.010" Oversize) | 51A | ◆692284 | Gasket-Intake |
| | | ★692406 Gasket- Crankcase (.005" Thick) | | | 690166 Ring Set (.020" Oversize) | 53 | 690227 | Stud (Carburetor) |
| | | ★692405 Gasket- Crankcase (.009" Thick) | | | 690168 Ring Set (.030" Oversize) | 54 | 691148 | Screw (Intake Manifold) |
| 13 | 690360 | Screw (Cylinder Head) | 27 | 691299 | Lock-Piston Pin | 73 | 690492 | Screen-Rotating (Steel) Used on Type No(s). 0138, 0156, 0209. |
| 15 | 690946 | Plug-Oil Drain (Standard) | 28 | 498319 | Pin-Piston (Standard) | 73A | 494439 | Screen-Rotating (Nylon) |
| 15A | 691680 | Plug-Oil Drain (Flush) | | | Note | 74 | 691655 | Screw (Rotating Screen) Used on Type No(s). 0138, 0156, 0209. |
| 16 | 690136 | Crankshaft | | | 498320 Pin- Piston (.005" Oversize) | 74A | 698425 | Screw (Rotating Screen) |
| | | Note | 29 | 692419 | Rod-Connecting (Standard) | 75 | 690582 | Washer (Flywheel) |
| | | 694187 Crankshaft Used on Type No(s). 0141, 0152, 0156. | | | Note | 78 | 697561 | Screw (Flywheel Guard) |
| 20 | ★291675 | Seal-Oil (PTO Side) | | | 692420 Rod- Connecting (.020" Undersize) | 81 | 691178 | Lock-Muffler Screw Used on Type No(s). 0121, 0165. |
| 22 | 692125 | Screw (Crankcase Cover/Sump) | 32 | 692852 | Screw (Connecting Rod) | 84 | 690343 | Plug-Breather |
| | | | | | | 93 | 690602 | Bushing-Throttle Shaft |
| | | | | | | 94 | 498030 | Kit-Idle Mixture |
| | | | | | | 94A | 695425 | Kit-Idle Mixture |
| | | | | | | 95 | ◆691636 | Screw (Throttle Valve) |
| | | | | | | 95A | ◆690718 | Screw (Throttle Valve) |
| | | | | | | 98 | 495800 | Kit-Idle Speed |
| | | | | | | 98A | 695408 | Kit-Idle Speed |

★ Engine Gasket Set-Reference 358
● Carburetor Overhaul Kit-Reference 121

◆ Carburetor Gasket Set-Reference 977
⊘ Valve Gasket Set-Reference 1095

| REF. NO. | PART NO. | DESCRIPTION | REF. NO. | PART NO. | DESCRIPTION | REF. NO. | PART NO. | DESCRIPTION |
|----------|----------|---|----------|----------|--|----------|----------|---|
| 104 | ●690525 | Pin-Float Hinge | 127 | ●695005 | Plug-Welch | 188 | 691693 | Screw (Control Bracket) |
| 104A | ●694918 | Pin-Float Hinge | 127A | ●690727 | Plug-Welch | 192 | 691986 | Adjuster-Rocker Arm |
| 105 | ●231855 | Valve-Float Needle | 130 | 691750 | Valve-Throttle | 202 | 691841 | Link-Mechanical Governor |
| 105A | ●694922 | Valve-Float Needle | 130A | 695418 | Valve-Throttle | 209 | 692208 | Spring-Governor (Green) |
| 106 | ●690577 | Seat-Inlet (LMT 154, 155, 697481, 697482) | 131 | 494379 | Kit-Throttle Shaft | | | |
| | | ————— Note ————— | 131A | 695421 | Kit-Throttle Shaft | | | |
| | | ●691780 Seat-Inlet (LMT 153, 156, 697480, 697483) | 133 | 494381 | Float-Carburetor | | | ————— Note ————— |
| 108 | 690464 | Valve-Choke (LMT 153, 156, 697480, 697483) | 133A | 694914 | Float-Carburetor | | | 690480 Spring-Governor (Red) |
| 108A | 692344 | Valve-Choke (LMT 154, 155, 697481, 697482) | 135 | 696142 | Tube-Fuel Transfer | | | Used on Type No(s). 0117, 0139, 0140, 0141, 0152, 0156. |
| 108B | 695419 | Valve-Choke | 137 | ◆281165 | Gasket-Float Bowl | | | 691795 Spring-Governor (Yellow) |
| 117 | ●692408 | Jet-Main (Standard) | 137A | ◆695426 | Gasket-Float Bowl | | | Used on Type No(s). 0138, 0145, 0153, 0154, 0159. |
| 117A | ●695415 | Jet-Main (Standard) | 141 | 495097 | Kit-Choke Shaft (LMT 154, 155, 697481, 697482) | | | 260902 Spring-Governor (No Color) |
| 118 | 692411 | Jet-Main (High Altitude) | 141A | 495931 | Kit-Choke Shaft (LMT 154, 155, 697481, 697482) | | | Used on Type No(s). 0166. |
| 118A | ●695416 | Jet-Main (High Altitude) | 141B | 695420 | Kit-Choke Shaft | | | 690576 Spring-Governor (Gold) |
| 118B | 697228 | Jet-Main (High Altitude) Used on Type No(s). 0141, 0152, 0156. | 142 | ●692412 | Nozzle-Carburetor (Standard) | | | Used on Type No(s). 0167. |
| 121 | 690191 | Kit-Carburetor Overhaul | 146 | 691639 | Key-Timing | 216 | 691840 | Link-Choke |
| 121A | 695427 | Kit-Carburetor Overhaul | 167 | 692297 | Seal-Air Cleaner Nut | 217 | 695409 | Spring-Choke Return |
| 125 | 698620 | Carburetor (LMT 154, 155, 697481, 697482) | 176 | ★691917 | Seal-O Ring (Air Cleaner Base) | 222 | 694042 | Bracket-Control |
| | | ————— Note ————— | 185 | 690958 | Nut (Air Cleaner Base) | 222A | 694335 | Bracket-Control Used on Type No(s). 0141, 0152, 0156. |
| | | 698782 Carburetor (LMT 153, 156, 697480, 697483) | 186 | 691609 | Connector-Hose (Breather Assembly) | 227 | 691374 | Lever-Governor Control |
| | | 693773 Carburetor Used on Type No(s). 0141, 0152, 0156. | 186A | 692317 | Connector-Hose (Carburetor) | | | ————— Note ————— |
| 125A | | Carburetor (Nikki Carburetor, Service With Walbro Carburetor) | 187 | 691050 | Line-Fuel (Cut to Required Length) | | | 694339 Lever-Governor Control Used on Type No(s). 0141, 0152, 0156. |
| | | | 187A | 698417 | Line-Fuel (Formed) (10 1/4 Inches Long) (Cut to Required Length) Used on Type No(s). 0140. | 231 | ●691636 | Screw (Choke Valve) |
| | | | 187B | 699331 | Line-Fuel (Molded) Used on Type No(s). 0121, 0165. | 232 | 691842 | Spring-Governor Link |
| | | | | | | 238 | 691843 | Cap-Valve |
| | | | | | | 240 | 298090 | Fuel Filter (Red) |
| | | | | | | | | ————— Note ————— |
| | | | | | | | | 394358 Filter-Fuel (White) |

★ Engine Gasket Set-Reference 358
● Carburetor Overhaul Kit-Reference 121

◆ Carburetor Gasket Set-Reference 977
∅ Valve Gasket Set-Reference 1095

311700

| REF. NO. | PART NO. | DESCRIPTION | REF. NO. | PART NO. | DESCRIPTION | REF. NO. | PART NO. | DESCRIPTION |
|----------|----------|---|----------|----------|--|----------|----------|---|
| 265 | 691024 | Clamp—Casing | 309 | 693551 | Motor—Starter (Steel Ring Gear Only) | 493 | 690493 | Bracket—Mounting (Blower Housing Front) |
| 267 | 690804 | Screw (Casing Clamp) | 310 | 690323 | Bolt (Starter Motor) | 493A | 690494 | Bracket—Mounting (Blower Housing Rear) |
| 267A | 695134 | Screw (Casing Clamp) Used on Type No(s). 0121, 0125, 0132, 0134, 0144, 0160, 0162, 0164, 0165. | 311 | 497608 | Brush Set | 493B | 694475 | Bracket—Mounting (Regulator) |
| 268 | 691025 | Casing—Control Wire (Cut to Required Length) | 318 | 692127 | Screw (Mounting Bracket) | 500 | 691086 | Washer (Key Switch) |
| 269 | 691026 | Wire—Control (Cut to Required Length) | 333 | 492341 | Armature—Magneto | 501 | 691185 | Regulator |
| 270 | 691027 | Nut (Control Wire Casing) | 334 | 691061 | Screw (Magneto Armature) | 501A | 691188 | Regulator |
| 271 | 691028 | Lever—Control | 337 | 491055 | Plug—Spark Note 691043 Plug—Spark Used on Type No(s). 0114, 0146. | 503 | 691532 | Strap—Starter |
| 276 | ◆692255 | Washer—Sealing | 358 | 690189 | Gasket Set—Engine | 505 | 691251 | Nut (Governor Control Lever) |
| 276A | ◆695410 | Washer—Sealing | 363 | 19203 | Puller—Flywheel | 510 | 693699 | Drive—Starter (Used With Steel Ring Gear) |
| 287 | 691002 | Screw (Dipstick Tube) | 369 | 695422 | Spring—Float Bowl | 513 | 692024 | Clutch—Drive |
| 300 | 690850 | Muffler | 383 | 89838 | Wrench—Spark Plug | 521 | 690581 | Shield—Cable |
| 300A | 496022 | Muffler | 385 | 691108 | Screw (Fuel Pump) | 523 | 692014 | Dipstick |
| 304 | 690497 | Housing—Blower (Black) | 387 | 808656 | Pump—Fuel | 524 | ★281370 | Seal—Dipstick Tube |
| 304A | 695065 | Housing—Blower (Black) (Large Fan) Used on Type No(s). 0166. | 404 | 691691 | Washer (Governor Crank) | 525 | 691398 | Tube—Dipstick |
| 304B | 690847 | Housing—Blower (Black) (Large Fan) Used on Type No(s). 0121, 0138, 0156, 0165, 0209. | 415 | 690283 | Plug (Used in Engine Sump as Oil Pressure Switch Plug and Intake Manifold as Vacuum Plug) | 526 | 692598 | Screw (Regulator) |
| 305 | 691108 | Screw (Blower Housing) | 445 | 496894 | Filter—Air Cleaner Cartridge | 526A | 694476 | Screw (Regulator) |
| 306 | 698454 | Shield—Cylinder | 455 | 691173 | Cup—Flywheel | 544 | 692034 | Armature—Starter |
| 307 | 691003 | Screw (Cylinder Shield) | 462 | 691261 | Washer (Starter Cable) | 552 | 491986 | Bushing—Governor Crank |
| | | Note 691399 Housing— Blower (Red) (Large Fan) Used on Type No(s). 0125, 0160, 0162, 0164. | 467 | 691668 | Knob—Air Cleaner | 559 | 693675 | Screw (Remote Choke Stop) |
| | | | 474B | 696459 | Alternator (Dual Circuit) | 562 | 691119 | Bolt (Governor Control Lever) |
| | | | 474C | 696457 | Alternator (Tri—Circuit) Used on Type No(s). 0026, 0028, 0036, 0038, 0070, 0115, 0121, 0138, 0139, 0140, 0144, 0145, 0151, 0153, 0154, 0162, 0164, 0165. | 578 | 692306 | Wire Assembly |
| | | | 474D | 696458 | Alternator (10 To 16 Amp Regulated) Used on Type No(s). 0114, 0116, 0117, 0131, 0148, 0159. | 579 | 691029 | Nut (Starter Cable) |
| | | | | | | 601 | 95162 | Clamp—Hose |
| | | | | | | 601A | 691038 | Clamp—Hose |
| | | | | | | 607 | 690703 | Screw (Air Cleaner Brace) |
| | | | | | | 607A | 691693 | Screw (Air Cleaner Brace) |
| | | | | | | 613 | 691416 | Screw (Muffler) |
| | | | | | | 613A | 691678 | Screw (Muffler) |

★ Engine Gasket Set—Reference 358
● Carburetor Overhaul Kit—Reference 121

◆ Carburetor Gasket Set—Reference 977
⊘ Valve Gasket Set—Reference 1095

| REF. NO. | PART NO. | DESCRIPTION | REF. NO. | PART NO. | DESCRIPTION | REF. NO. | PART NO. | DESCRIPTION |
|----------|----------|---|----------|----------|---|----------|----------|---|
| 614 | 691620 | Pin-Cotter | 737 | 691118 | Screw (Oil Filter Adapter) | 823 | 698941 | Screw (Muffler Adapter) |
| 616 | 692012 | Crank-Governor | 741 | 691284 | Gear-Timing | 830 | 691095 | Stud-Rocker Arm |
| 617 | Δ*692138 | Seal-O Ring (Intake Manifold) | 750 | 691033 | Screw (Oil Pump Cover) (Used After Code Date 98063000). | 842 | ★691870 | Seal-O Ring (Dipstick Tube) |
| 628 | 690661 | Screw (Fuel Pump Bracket) | 750A | 691108 | Screw (Oil Pump Cover) (Used Before Code Date 98070100). | 847 | 496415 | Dipstick/Tube Assembly |
| 633 | ●695414 | Seal-Choke/Throttle Shaft | 757 | 691714 | Link-Counterweight | 851 | 692424 | Terminal-Spark Plug |
| 634 | ●690801 | Spring/Seal Assembly (LMT 153, 156, 697480, 697483) | 758 | 692423 | Counterweight | 863 | 691204 | Bracket-Muffler |
| 634A | ●690802 | Spring/Seal Assembly (LMT 154, 155, 697481, 697482) | 759 | 691239 | Pin-Counterweight | 863A | 691205 | Bracket-Muffler |
| 635 | 691909 | Boot-Spark Plug | 761 | 691096 | Screw (Counterweight) | 864 | 697346 | Adapter-Muffler |
| 646 | 690460 | Brace-Air Cleaner | 783 | 693713 | Gear-Pinion (Steel Ring Gear Only) | 864A | 496750 | Adapter-Muffler |
| 664 | 691087 | Nut (Key Switch) | 788 | 692133 | Bracket-Fuel Pump | 868 | Δ*690968 | Seal-Valve |
| 668 | 691323 | Spacer (Rotating Screen) Used on Type No(s). 0138, 0156, 0209. | 788A | 690458 | Bracket-Fuel Pump Used on Type No(s). 0138, 0156, 0164. | 875 | 696129 | Base-Air Cleaner |
| 668A | 691215 | Spacer (Rotating Screen) | 789 | 692037 | Harness-Wiring (Carburetor) | 877 | 393456 | Wire/Connector- Alternator (Dual Circuit) |
| 668B | 691500 | Spacer (Rotating Screen) (Used Before Code Date 00040300). | 789A | 698329 | Harness-Wiring (Alternator) Used on Type No(s). 0028, 0038, 0121, 0125, 0132, 0134, 0144, 0160, 0162, 0164, 0165. | 877B | 393537 | Wire/Connector- Alternator (Tri-Circuit) |
| 676 | 393761 | Deflector-Muffler (Side Out) | 797 | 693167 | Nut (Brush Retainer) | 877C | 399916 | Wire/Connector- Alternator (10 to 16 Amp) |
| 676A | 396903 | Deflector-Muffler (Direct Out) | 801 | 691283 | Cap-Drive | 878 | 691237 | Harness-Alternator (Dual Circuit) |
| 676B | 397630 | Deflector-Muffler (Louvered) | 802 | 691286 | Cap-End | 878A | 691955 | Harness-Alternator (Tri-Circuit) |
| 677 | 690661 | Screw (Muffler Deflector) | 803 | 693757 | Housing-Starter | 883 | ★692236 | Gasket-Exhaust |
| 691 | ★692407 | Seal-Governor Shaft | 813 | 690635 | Clamp (Used Before Code Date 99070600). | 884 | 690853 | Clamp-Muffler |
| 692 | 690572 | Spring-Detent | 819 | 690297 | Screw (Muffler Bracket) | 892 | 692318 | Switch-Key |
| 697 | 690372 | Screw (Drive Cap) | 819A | 691678 | Screw (Muffler Bracket) | 914 | 691108 | Screw (Rocker Cover) |
| 711 | 690703 | Screw (Carburetor Shield) | 819B | 691676 | Screw (Muffler Bracket) | 918 | 393815 | Hose-Vacuum Used on Type No(s). 0026, 0028, 0036, 0038, 0070, 0116, 0117, 0131, 0138, 0139, 0141, 0152, 0154, 0156, 0164. |
| 718 | 690959 | Pin-Locating | | | | 920 | 691656 | Solenoid-Starter Used on Type No(s). 0140. |
| 726 | | Gear-Ring (Steel) (Sold In Flywheel Kit, Reference 23, Only) | | | | 921B | 692493 | Cover-Blower Housing (Red) |
| 727 | 490324 | Cover-Starter Drive | | | | | | Note 692679 Cover-Blower Housing (Black) |
| 729 | 691335 | Clip-Wire | | | | | | |
| 729A | 691224 | Clip-Wire | | | | | | |
| 732 | 691002 | Screw (Starter Drive Cover) | | | | | | |

★ Engine Gasket Set-Reference 358
● Carburetor Overhaul Kit-Reference 121

◆ Carburetor Gasket Set-Reference 977
⊘ Valve Gasket Set-Reference 1095

311700

| REF. NO. | PART NO. | DESCRIPTION | REF. NO. | PART NO. | DESCRIPTION | REF. NO. | PART NO. | DESCRIPTION | | | |
|----------|----------|---|----------|----------|---|----------|-----------|---|--------|---------------------|----------------------------------|
| 934 | 690372 | Screw (Fan Retainer) | 975 | 495933 | Bowl-Float | 1027 | 492932 | Filter-Oil | | | |
| 943 | ★690589 | Seal-O Ring (Oil Pump Cover) (Used After Code Date 98063000). | 975A | 695417 | Bowl-Float | 1028 | 496744 | Adapter-Oil Filter | | | |
| 943A | ★690604 | Seal-O Ring (Oil Pump Cover) (Used Before Code Date 98070100). | 977 | 690192 | Gasket Set-Carburetor | 1029 | 691751 | Arm-Rocker | | | |
| 947 | 692734 | Solenoid-Fuel | 977A | 695428 | Gasket Set-Carburetor | 1032 | 491710 | Ball-Oil Pump | | | |
| 947A | 695423 | Solenoid-Fuel | 987 | ●691326 | Seal-Throttle Shaft | 1034 | 690822 | Guide-Push Rod | | | |
| 947B | 694393 | Solenoid-Fuel Used on Type No(s). 0141, 0152, 0156. | 988 | ★691317 | Gasket-Oil Adapter | 1035 | 693784 | Shaft-Pump | | | |
| 950 | 691657 | Screw-Float Bowl | 990 | 691959 | Key Set | 1036 | 695700 | Label-Emissions (Used After Code Date 00063000). | | | |
| 958 | 698183 | Valve-Fuel Shut Off Used on Type No(s). 0140. | 996 | 690678 | Shield-Carburetor | | | ————— Note ————— | | | |
| 965 | 499613 | Cover-Oil Pump (Used After Code Date 98063000). | 1005 | 697853 | Fan-Flywheel (Used After Code Date 02050800). | | | 694997 Label- Emissions (Used After Code Date 99093000 and Before Code Date 00070100). | | | |
| 965A | 496745 | Cover-Oil Pump (Used Before Code Date 98070100). | | | ————— Note ————— | | | 694332 Label- Emissions (Used After Code Date 98123100 and Before Code Date 99100100). | | | |
| 967 | 272403 | Filter-Pre Cleaner | 1006 | 690452 | Retainer-Fan | | | 692468 Label- Emissions (Used Before Code Date 99010100). | | | |
| 968 | 691916 | Cover-Air Cleaner Used on Type No(s). 0166. | 1017 | 690770 | Screen-Oil Pump (Used After Code Date 98063000). | | | | | | |
| 968B | 691332 | Cover-Air Cleaner | 1017A | 691216 | Screen-Oil Pump (Used Before Code Date 98070100). | | | | | | |
| 968C | 692502 | Cover-Air Cleaner | | | 1019 | 690180 | Kit-Label | 1044 | 698139 | Screw (Flywheel) | |
| 969 | 691108 | Screw (Blower Housing Cover) | 1022 | Δ★272475 | Gasket-Rocker Cover | 1023A | 692492 | Cover-Rocker | 1051 | 691265 | Ring-Retaining |
| 969A | 690365 | Screw (Blower Housing Cover) | 1023A | 692492 | Cover-Rocker | 1024 | 499054 | Pump-Oil (Used After Code Date 98063000). | 1054 | 280275 | Tie-Cable |
| 971 | 692129 | Screw (Air Cleaner Base To Carburetor) | 1024 | 493884 | Pump-Oil (Used Before Code Date 98070100). | 1024A | 493884 | Pump-Oil (Used Before Code Date 98070100). | 1055 | 690528 | Tube-Oil Pump |
| | | | 1026 | 692003 | Rod-Push (Intake) | 1026A | 692011 | Rod-Push (Exhaust) | 1058 | 275935 | Operator's Manual |
| | | | | | | | | | 1059 | 698516 | Kit-Screw/Washer (Alternator) |
| | | | | | | | | | 1090 | 691293 | Retainer-Brush |
| | | | | | | | | | 1091 | 691333 | Cap-Limiter |
| | | | | | | | | | 1095 | 690190 | Gasket Set-Valve |
| | | | | | | | | | 1119 | 691183 | Screw (Alternator) |
| | | | | | | | | | 1127 | 695407 | Screw (Float Bowl) |
| | | | | | | | | | 1330 | 272147 | Repair Manual |

★ Engine Gasket Set-Reference 358
● Carburetor Overhaul Kit-Reference 121

◆ Carburetor Gasket Set-Reference 977
⊙ Valve Gasket Set-Reference 1095