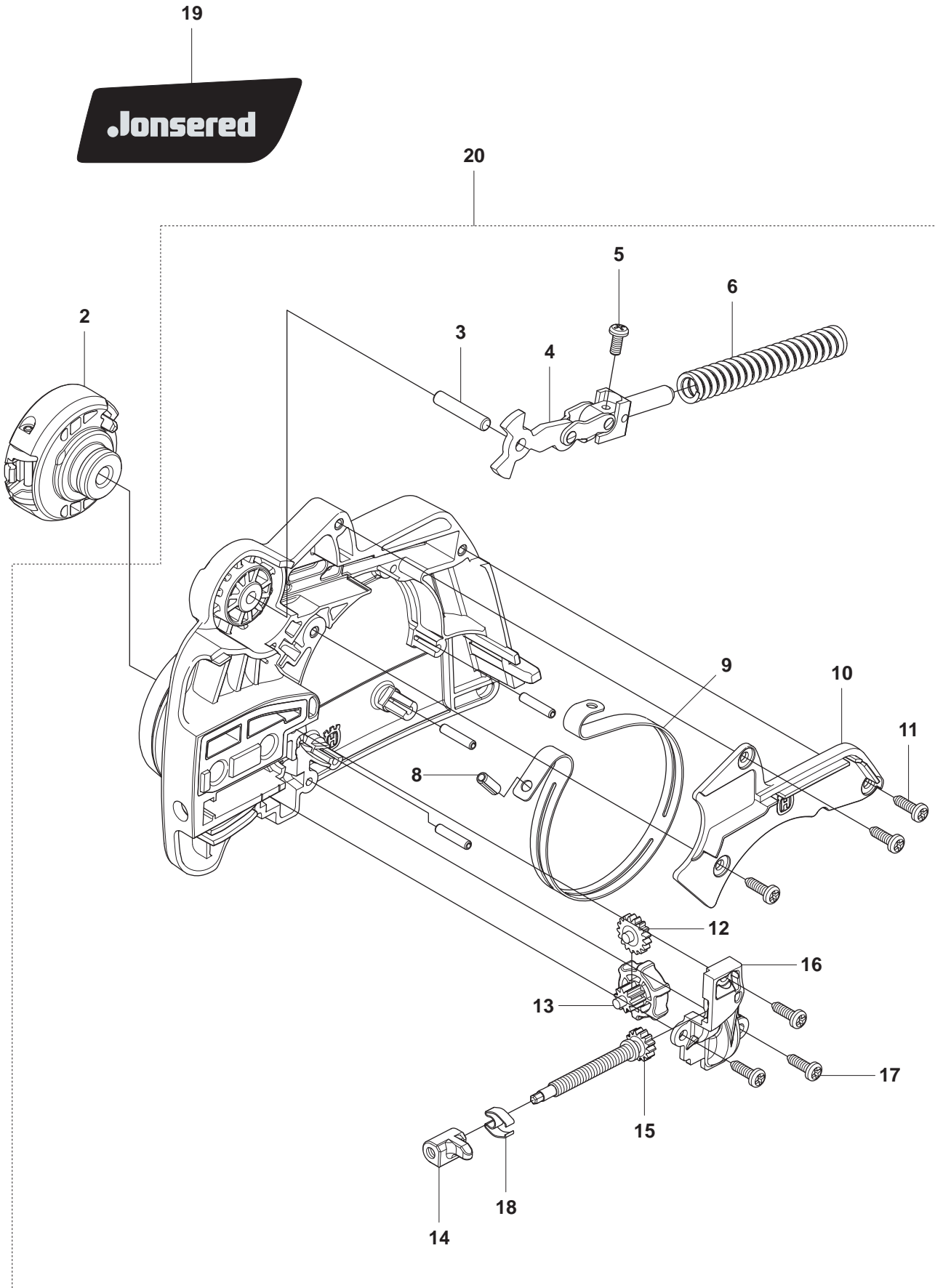


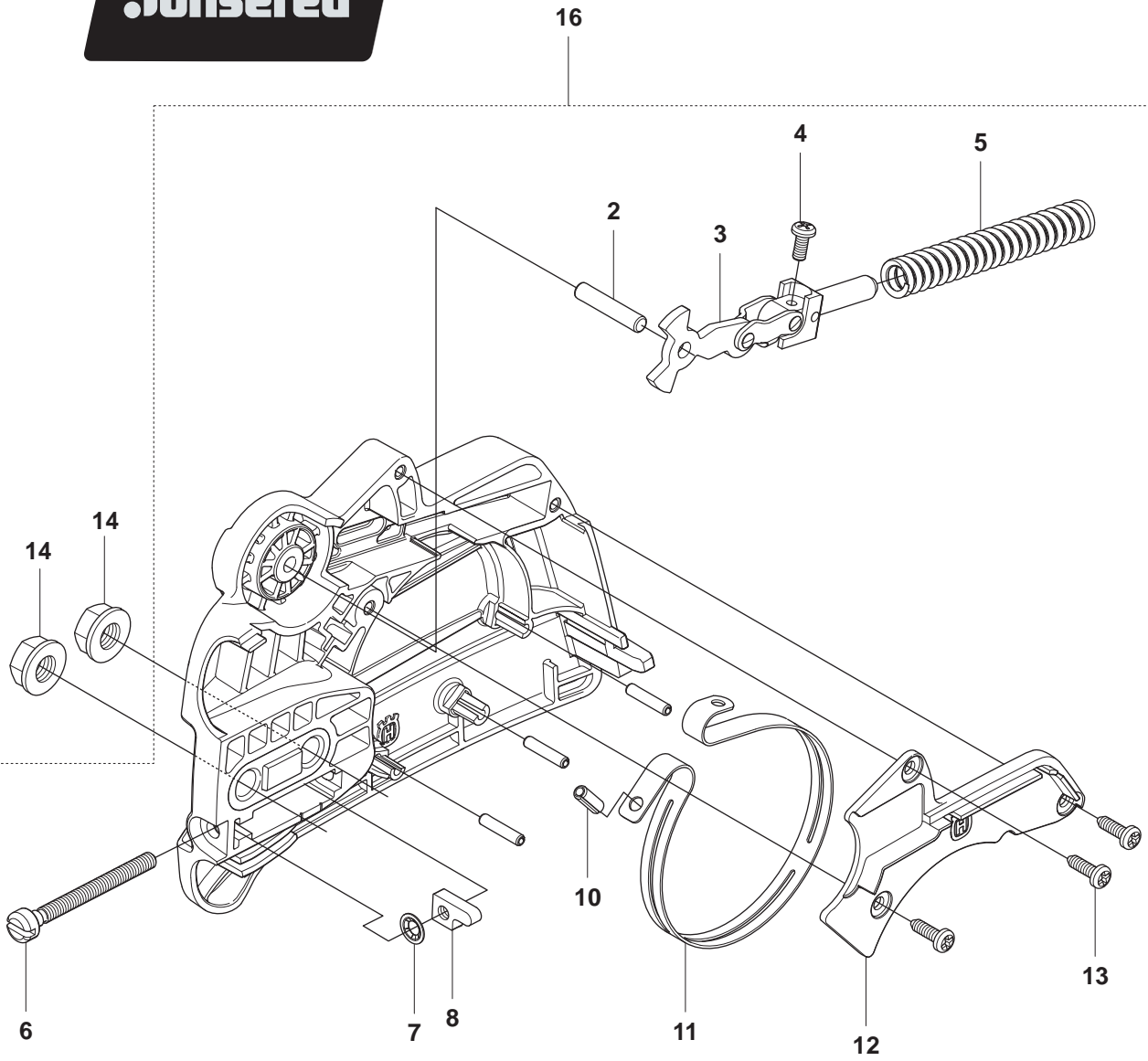
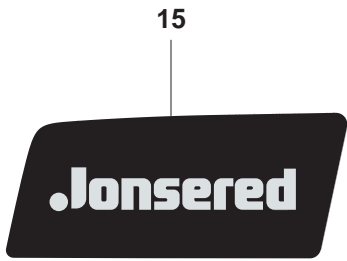


# CS2234S CS2238, CS2238S

Spare parts  
Ersatzteile  
Pièces détachées  
Reserve onderdelen  
Repuestos  
Reservdelar

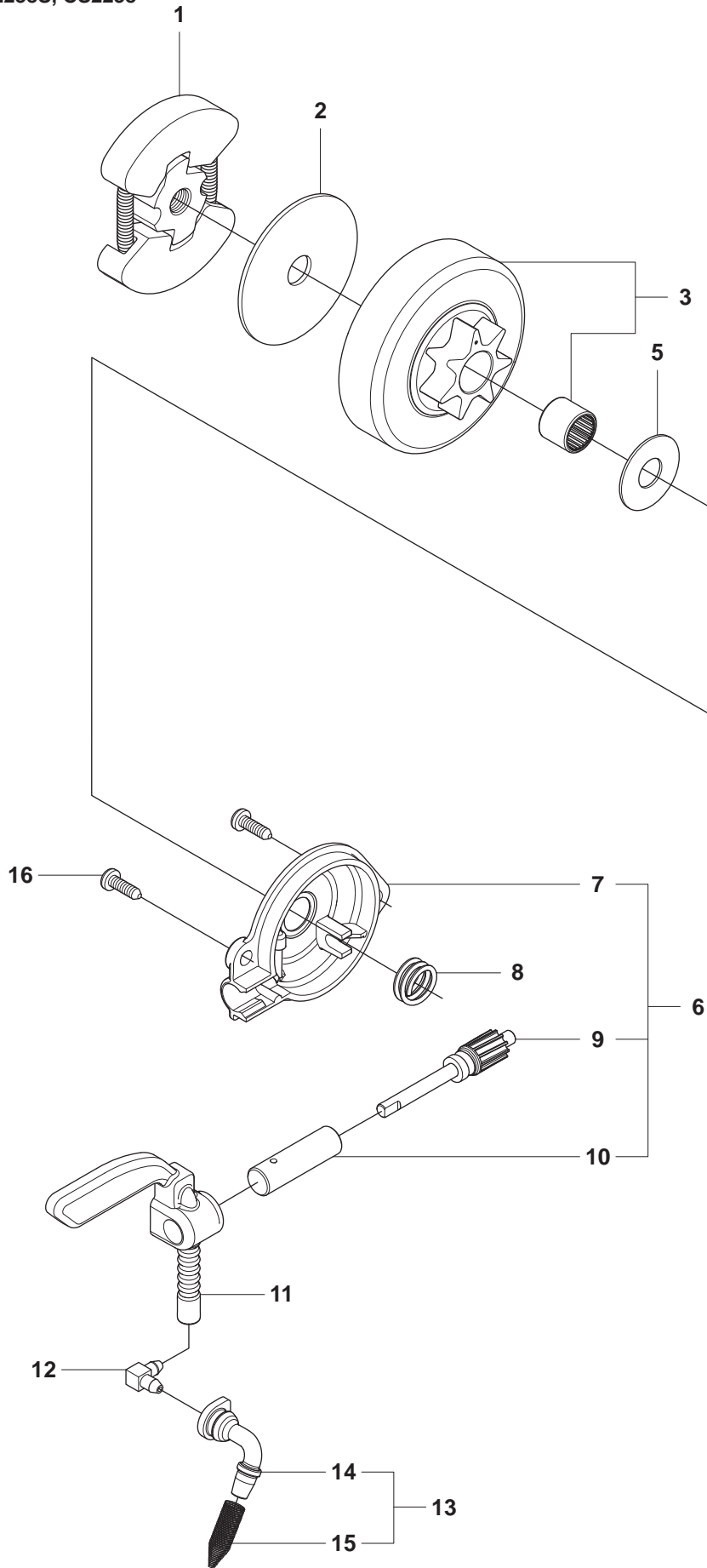


Position	Article	Quantity	Notes	Kit
2	545-146402	1	ASSEMBLY KNOB EZT	
3	530-057950	1	PIN, DOWEL	20
4	530-057940	1	ASSY, FRONT LINK	20
5	530-015911	1	M3.83 X 1.81 X 9 PLASTITE	20
6	530-016415	1	SPRING COMPRESSION	20
8	530-015913	1	PIN, BAND RETAINER	20
9	530-057923	1	BRAKE BAND	20
10	545-071002	1	COVER, BRAKE BAND	20
11	530-016064	3	SCP#6-19 X .437 .PL. PAN.	20
12	545-060201	1	GEAR, IDLER	20
13	545-090501	1	WHEEL, GEAR ADJUSTER	20
14	545-060501	1	PIN, BAR ADJUSTING	20
15	545-065901	1	ASSY ADJUSTER SCREW	20
16	545-059202	1	COVER, GEAR	20
17	530-016064	3	SCP#6-19 X .437 .PL. PAN.	20
18	545-149301	1	CLIP, EZT SPRING	20
19	545-166101	1	DECAL, EZT CLUTCH COVER	
20	545-071105	1	CHAIN BRAKE ASSEMBLY	



<b>Position</b>	<b>Article</b>	<b>Quantity</b>	<b>Notes</b>	<b>Kit</b>
2	530-057950	1	PIN, DOWEL	16
3	530-057940	1	ASSY, FRONT LINK	16
4	530-015911	1	M3.83 X 1.81 X 9 PLASTITE	16
5	530-016415	1	SPRING COMPRESSION	16
6	530-061110	1	SCREW BAR ADJUSTING	16
7	530-038593	1	RETAINER PUSH NUT	16
8	530-015826	1	PIN BAR ADJUST	16
10	530-015913	1	PIN, BAND RETAINER	16
11	530-057923	1	BRAKE BAND	16
12	545-071002	1	COVER, BRAKE BAND	16
13	530-016064	3	SCP#6-19 X .437 .PL. PAN.	16
14	530015917	2	NUT, BAR MTG	
15	545-166001	1	DECAL	
16	545-071104	1	CHAIN BRAKE ASS'Y FRT ADJ	

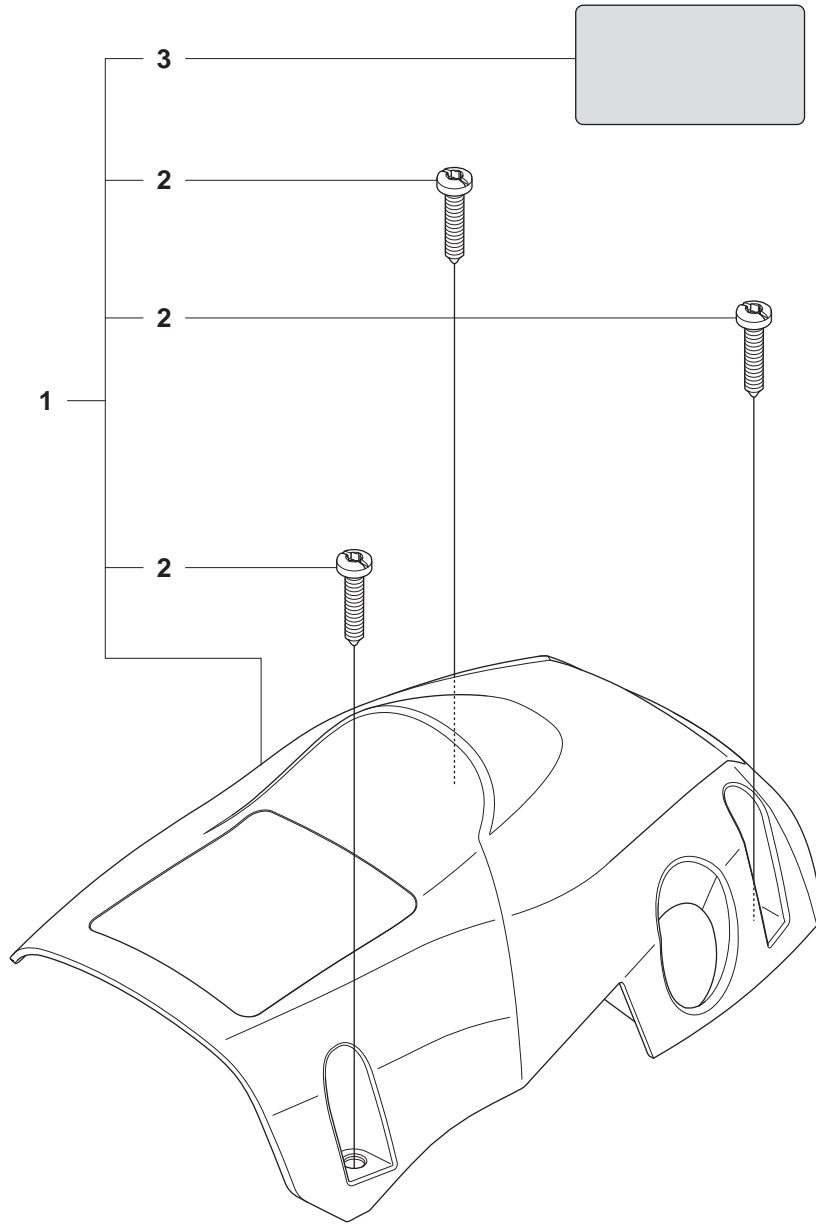
**C** CS2234S, CS2238S, CS2238



Position	Article	Quantity	Notes	Kit
1	530-014949	1	ASSY- CLUTCH	
2	530-015611	1	WASHER, CLUTCH (LARGE)	
3	530-047061	1	3/8-6 TOOTH DRUM ASEMBLY	
3	530-048132	1	.325-7 TOOTH DRUM ASEMBLY	
5	530-015907	1	WASHER, THRUST	
6	530-057935	1	ASSEMBLY OIL PUMP	
7	530-057935	1	HOUSING, PUMP	6
8	530-037820	1	GEAR- WORM	
9	530-057932	1	PLUNGER & GEAR	6
10	530-057930	1	BARREL, PUMP	6
11	545-069201	1	OIL BLOCK	
12	530-049477	1	ELBOW FITTING	
13	545-069501	1	PICK UP ASSEMBLY OIL TANK	
14	545-069401	1	PICK-UP SEAL	13
15	530-056533	1	SPRING, FILTER	13
16	530-016064	2	SCP#6-19 X .437 .PL. PAN.	

**D**

CS2234S, CS2238S, CS2238





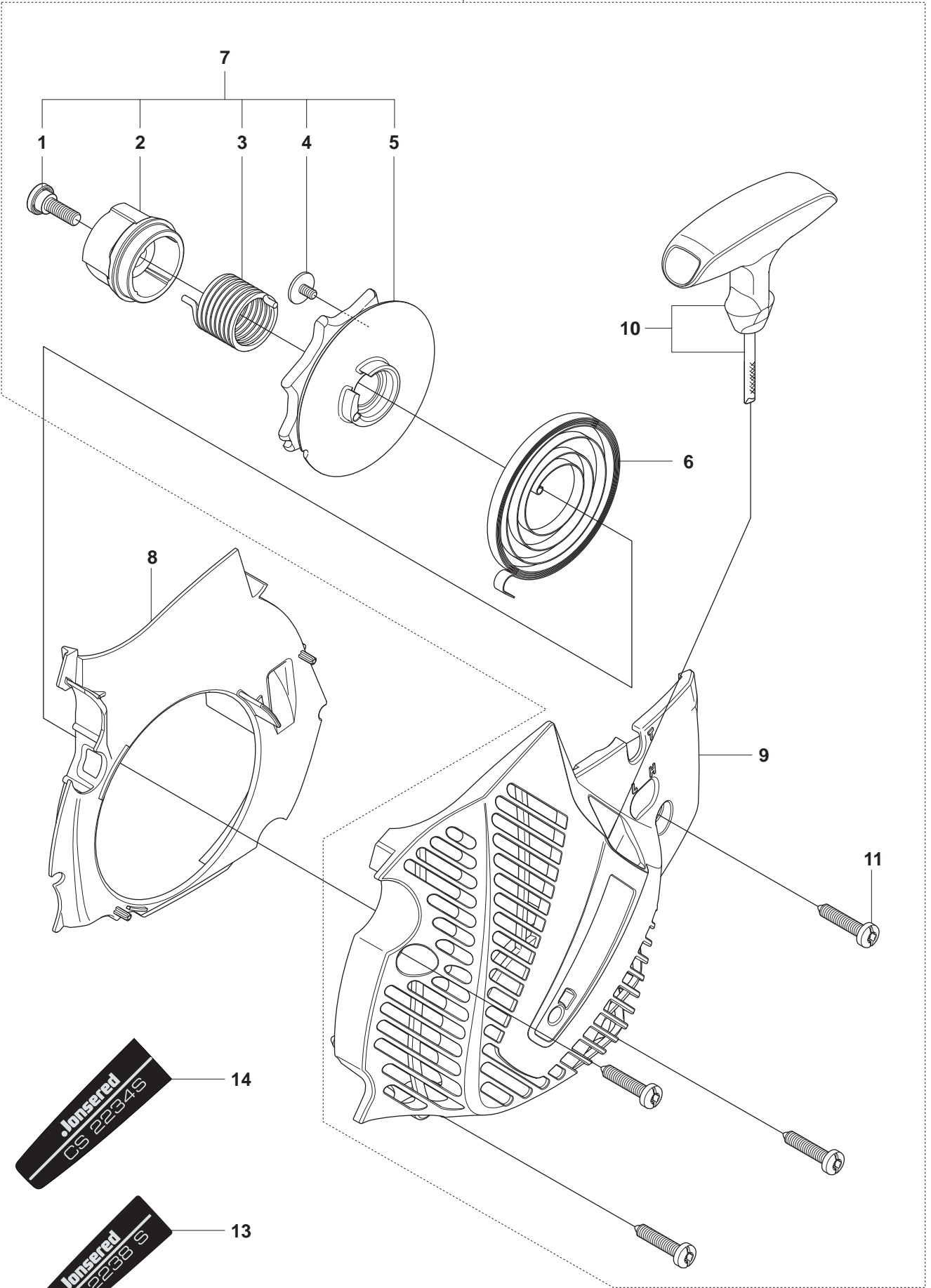
**Page D**    **CS2234S**        **COVER**  
**CS2238**  
**CS2238S**

<b>Position</b>	<b>Article</b>	<b>Quantity</b>	<b>Notes</b>	<b>Kit</b>
1	545-161001	1	CYLINDER SHIELD	
2	545-070001	3	SCREW, CYL SHIELD	1
3	545-165957	1	WARNING DECAL , GLOBAL	

**E1**

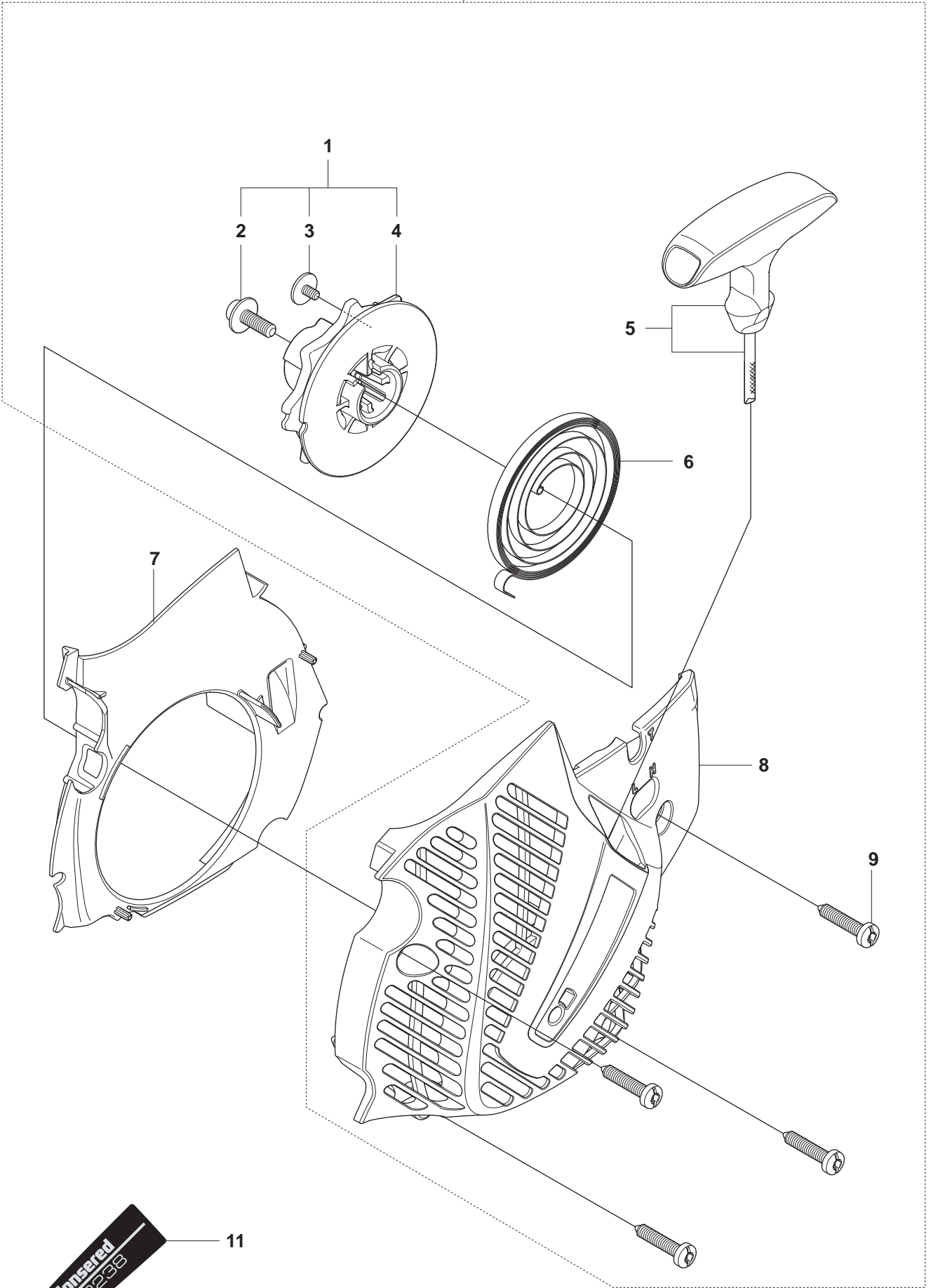
CS2234S, CS2238S

12



**Page E1 CS2234S EPS STARTER**  
**CS2238S**

<b>Position</b>	<b>Article</b>	<b>Quantity</b>	<b>Notes</b>	<b>Kit</b>
1	530-021179	1	SCREW SHOULDER	7,12
2	530-059677	1	STARTER HUB EPS	7,12
3	530-021180	1	SPRING EPS	7,12
4	530-016080	1	SCREW, ROPE RETAINER	7,12
5	545-058201	1	PULLEY- STARTER EPS	7,12
6	530-042095	1	SPRING- RECOIL	12
7	545-180812	1	KIT, EPS STARTER CS 2238 S	12
8	545-161301	1	BAFFLE	
9	545-161201	1	FAN HOUSING	12
10	545-010012	1	HANDLE & ROPE assy	12
11	530-016432	4	SCREW, FAN HOUSING	12
12	545-180813	1	KIT, COMPLETE EPS CS 2238 S	
13	545-165956	1	DECAL CS SS38 S	
14	545-165991	1	DECAL CS2234 S	

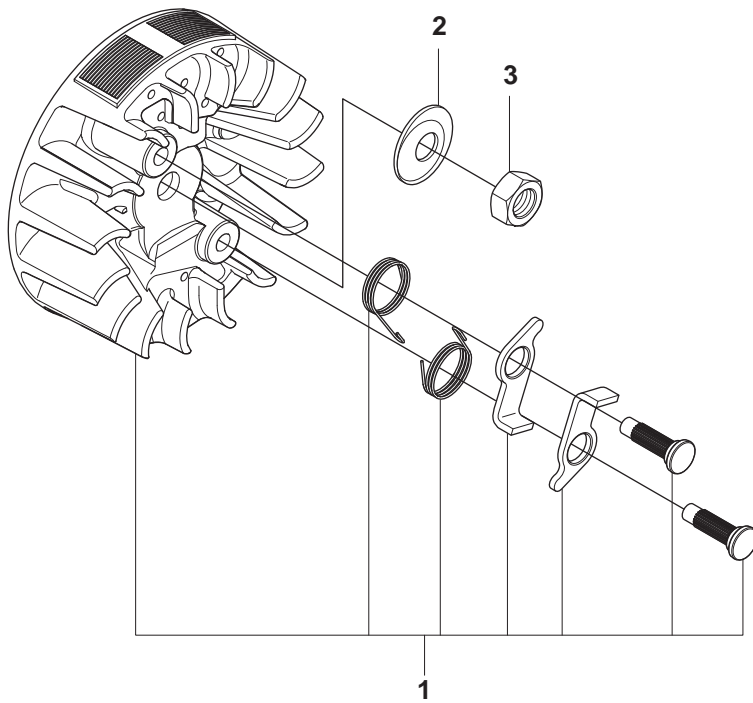
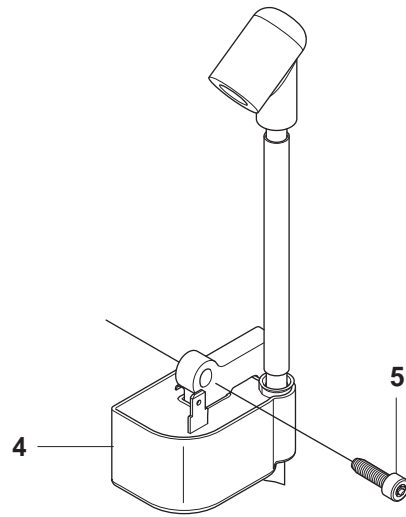
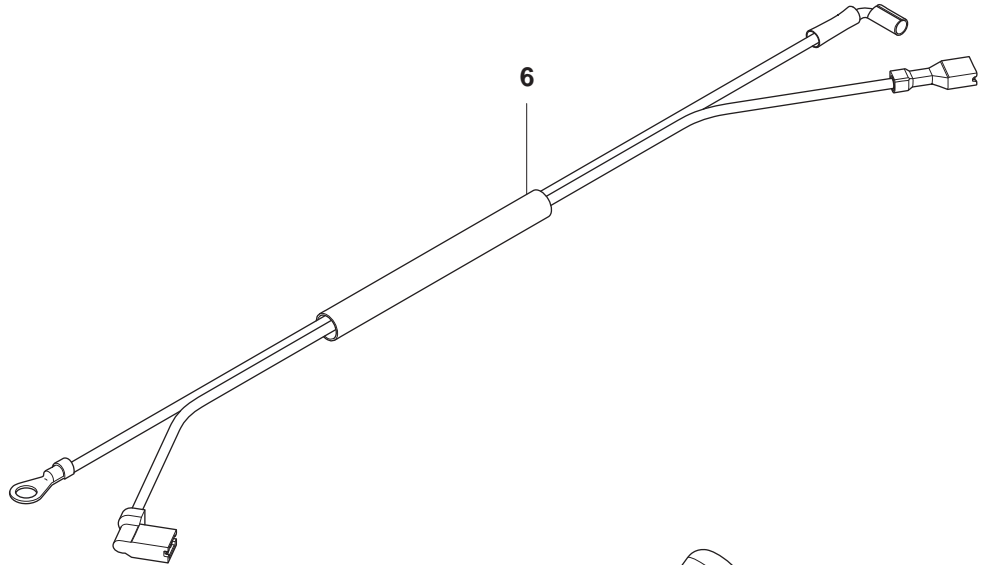


**Page E2 CS2238 STANDARD STARTER**

<b>Position</b>	<b>Article</b>	<b>Quantity</b>	<b>Notes</b>	<b>Kit</b>
1	545-008028		KIT, STD STARTER CS2238, CS2238 S	
2	530-015920	1	SCREW SHOULDER	1,10
3	530-016080	1	SCREW, ROPE RETAINER	1,10
4	530-057890	1	PULLEY- STARTER standard	1,10
5	545-010012	1	HANDLE & ROPE assy	10
6	530-042095	1	SPRING- RECOIL	10
7	545-161301	1	BAFFLE	
8	545-161201	1	FAN HOUSING	10
9	530-016432	4	SCREW, FAN HOUSING	10
10	545-180813		KIT COMPLETE CS 2234, CS 2238	
11	545-165901	1	DECAL CS 2234	
12	545-165983	1	DECAL CS2238	

**F**

CS2234S, CS2238S, CS2238

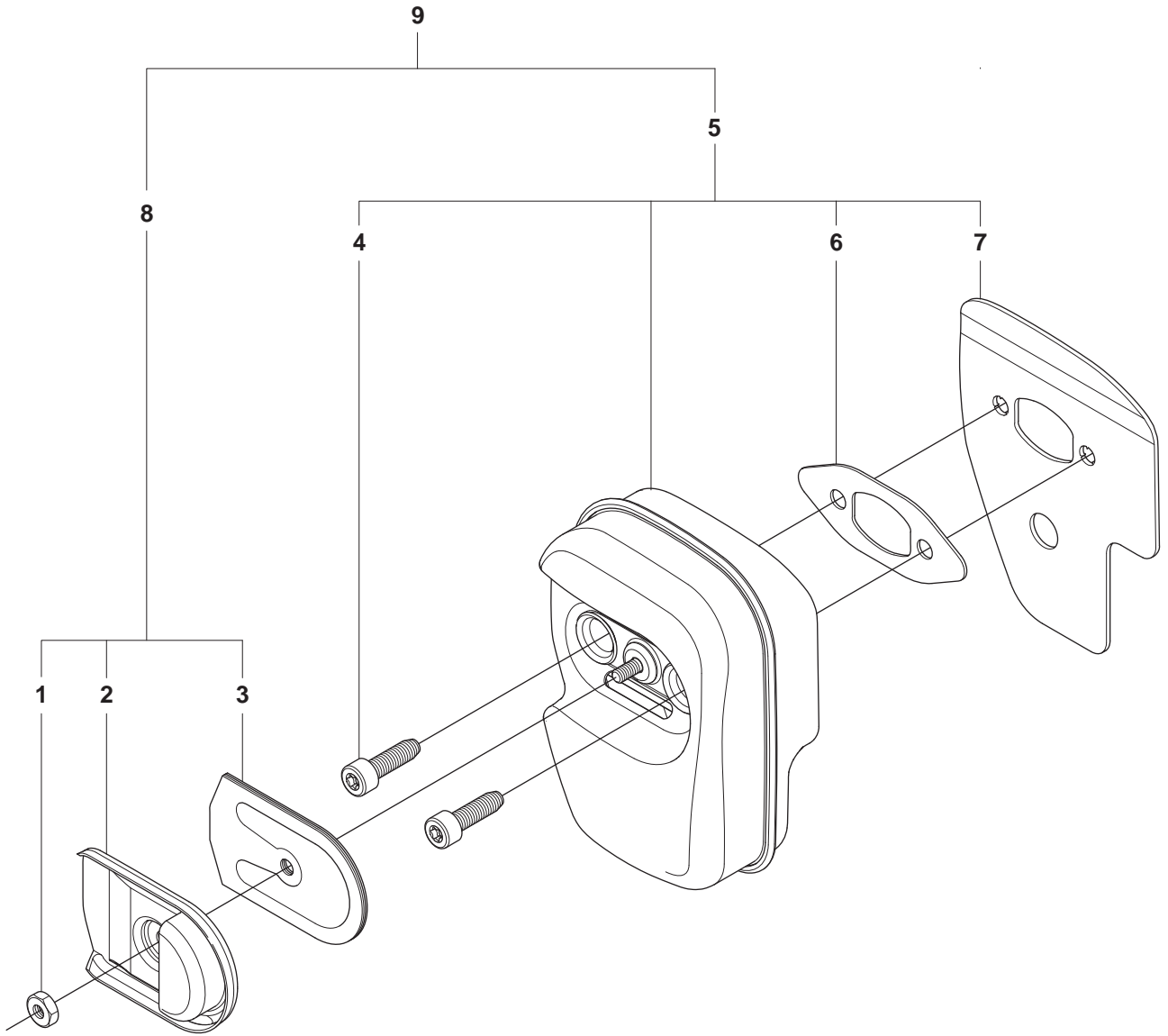


**Page F**      **CS2234S**      **IGNITION SYSTEM**  
**CS2238**  
**CS2238S**

<b>Position</b>	<b>Article</b>	<b>Quantity</b>	<b>Notes</b>	<b>Kit</b>
1	530-039147	1	FLYWHEEL ASSY	
2	530-015127	1	WASHER, FLYWHEEL	
3	530-016134	1	NUT, FLYWHEEL	
4	530-039143	1	MODULE- IGNITION	
5	545-121901	2	SCREW, IGN MODULE	
6	545-079901	1	ASSY- WIRE HARNESS	

**G**

CS2234S, CS2238S, CS2238



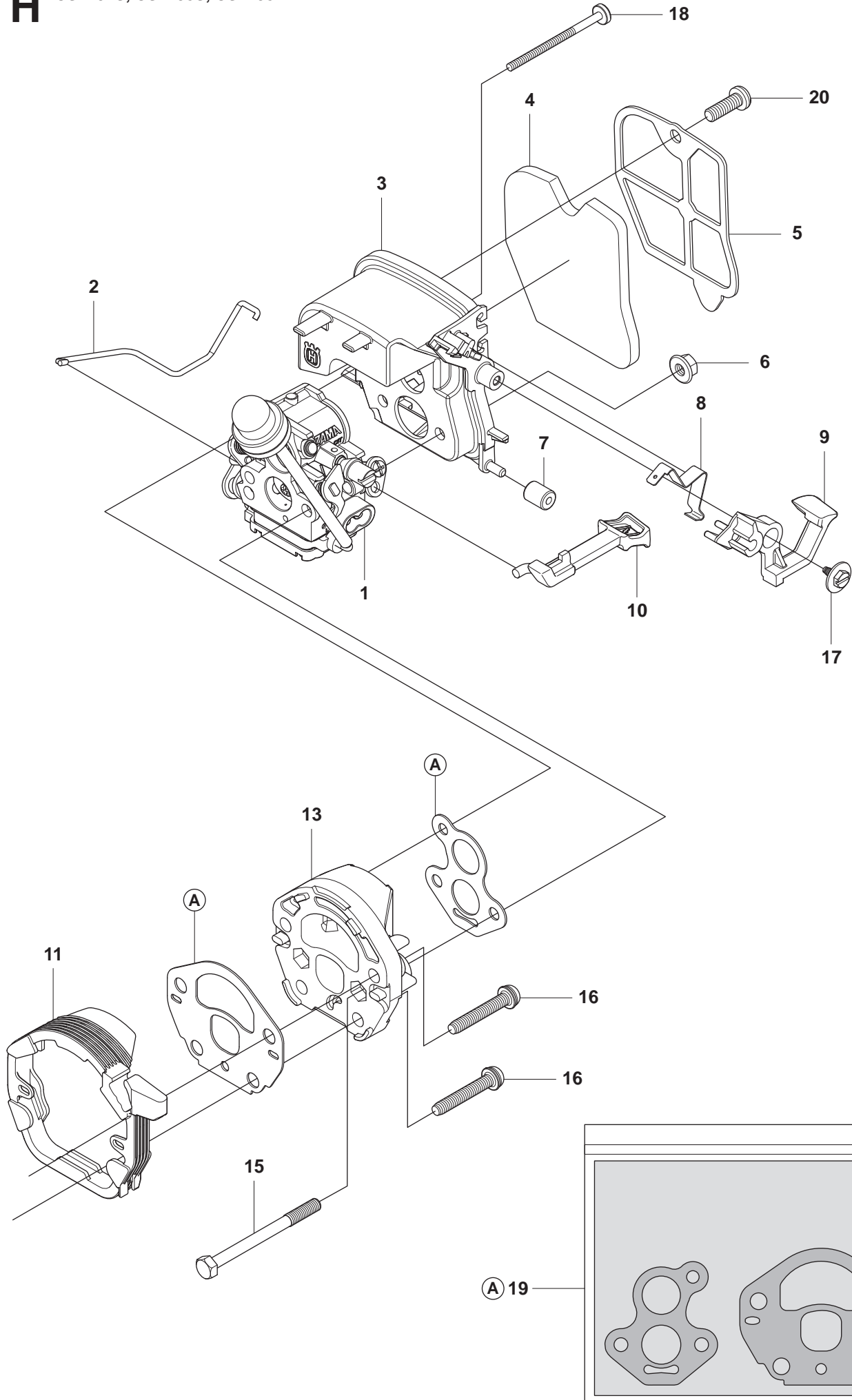


**Page G    CS2234S        MUFFLER**  
**CS2238**  
**CS2238S**

<b>Position</b>	<b>Article</b>	<b>Quantity</b>	<b>Notes</b>	<b>Kit</b>
1	530-016359	1	NUT, #10-24 BRASS	8,9
2	545-076901	1	EXHAUST PLATE	8,9
3	545-167401	1	SCREEN-ARRESTOR, Gasket	8,9
4	530-016338	2	MUFFLER BOLT	5,9
5	545-032701	1	MUFFLER ASSEMBLY	9
6	530-054884	1	MUFFLER GASKET	5,9
7	545-066901	1	MUFFLER BACK PLATE	5,9
8	545-008027	1	KIT SPARK ARRESTOR	9
9	545-180843	1	KIT MUFFLER COMPLETE	

**H**

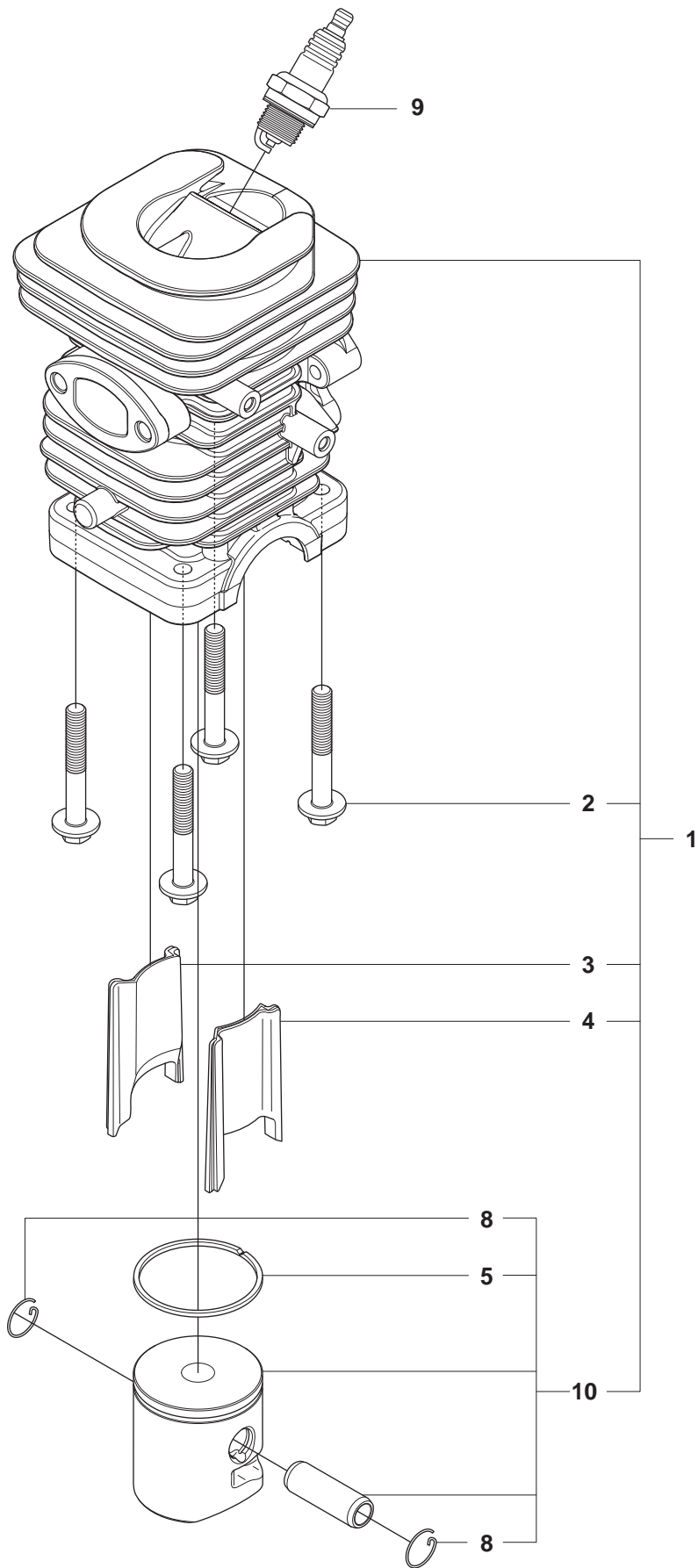
CS2234S, CS2238S, CS2238



Position	Article	Quantity	Notes	Kit
1	545-072601	1	CARBURETOR (ZAMA) - Ref.	
2	545-062801	1	THROTTLE WIRE	
3	545-062101	1	FILTER HOUSING	
4	545-061801	1	AIR FILTER	
5	545-151801	1	FILTER PLATE	
6	530-016101	2	NUT, CARB	
7	545-061901	1	ISOLATOR FILTER HOUSING	
8	545-063401	1	SWITCH, SPRING	
9	545-061701	1	SWITCH LEVER	
10	545-061601	1	CHOKE KNOB	
11	545-061501	1	CARB ADAPTOR SEAL	
13	545-061401	1	CARB ADAPTOR	
		1		
15	545-033701	2	STUD-CARBURETOR	
16	545-158301	4	CARB ADAPTOR SCREW	
17	530-016080	1	SCREW SWITCH	
18	545-074901	1	TOP STUD-CARBURETOR	
19	545-081892	1	GASKET KIT	
20	530-016349	1	SCREW, FILTER PLATE	

# J1

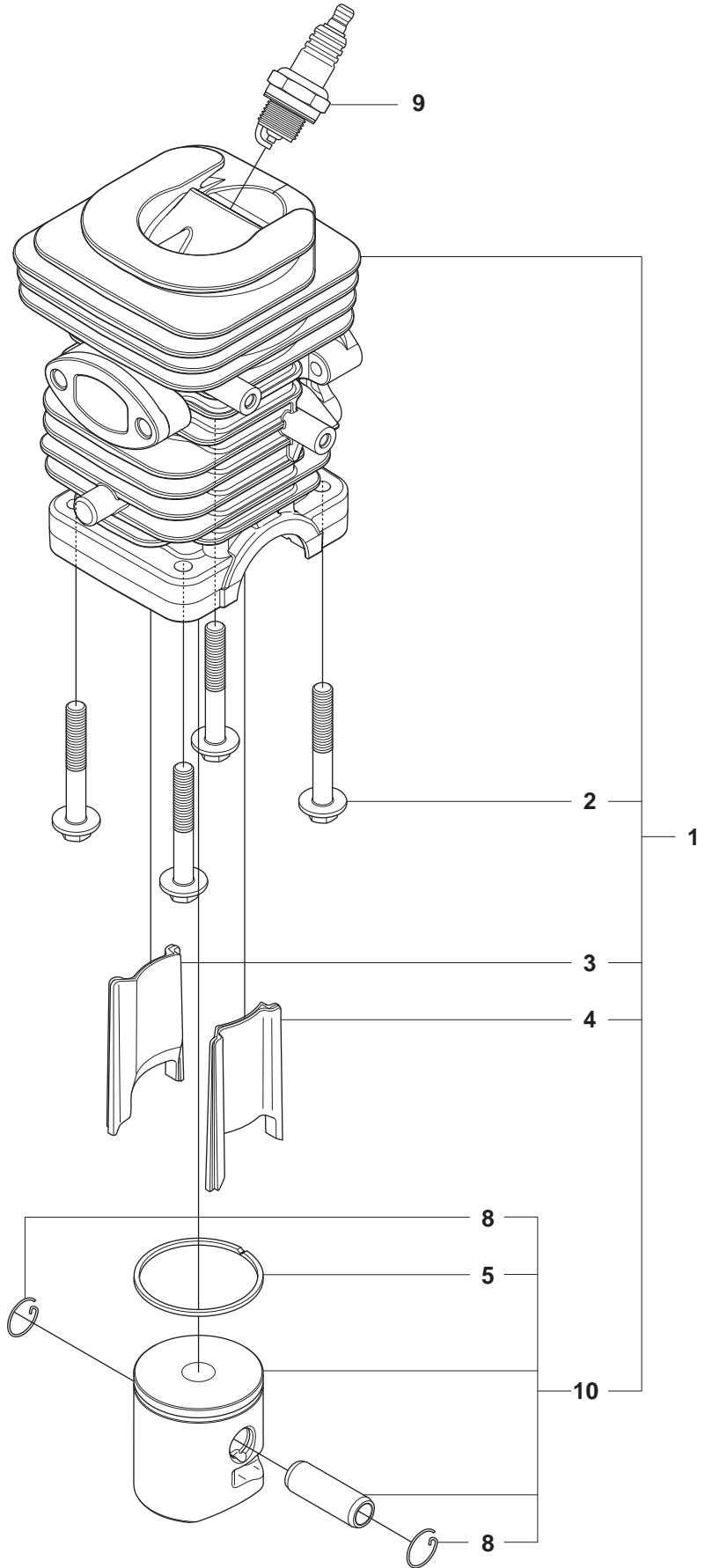
CS2234S



<b>Position</b>	<b>Article</b>	<b>Quantity</b>	<b>Notes</b>	<b>Kit</b>
1	545-050418	1	KIT, CYLINDER & PISTON	
2	545-081501	4	BOLT, CYLINDER	1
3	545-101501	1	TRANSFER INSERT LEFT 34c	1
4	545-101401	1	TRANSFER INSERT RIGHT 34cc	1
5	545-101701	1		10,1
8	530-015697	2		10,1
9	503-235108	1	PLUG-SPARK (RCJ-7Y)	
10	545-081893	1	KIT PISTON 34cc	1

**J2**

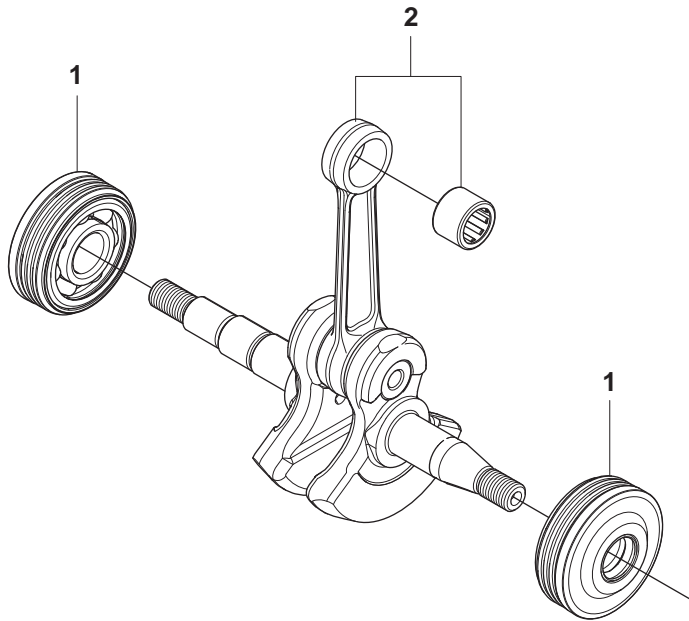
CS2238S, CS2238



<b>Position</b>	<b>Article</b>	<b>Quantity</b>	<b>Notes</b>	<b>Kit</b>
1	545-050417	1	KIT, CYLINDER & PISTON	
2	545-081501	4	BOLT, CYLINDER	1
3	530-012607	1	INSERT, TRANSFER LEFT	1
4	530-012606	1	INSERT, TRANSFER RIGHT	1
5	530-012608	1		10,1
8	530-015697	2		10,1
9	503-235108	1	PLUG-SPARK (RCJ-7Y)	
10	545-081894	1	KIT 38cc PISTON	1

**K**

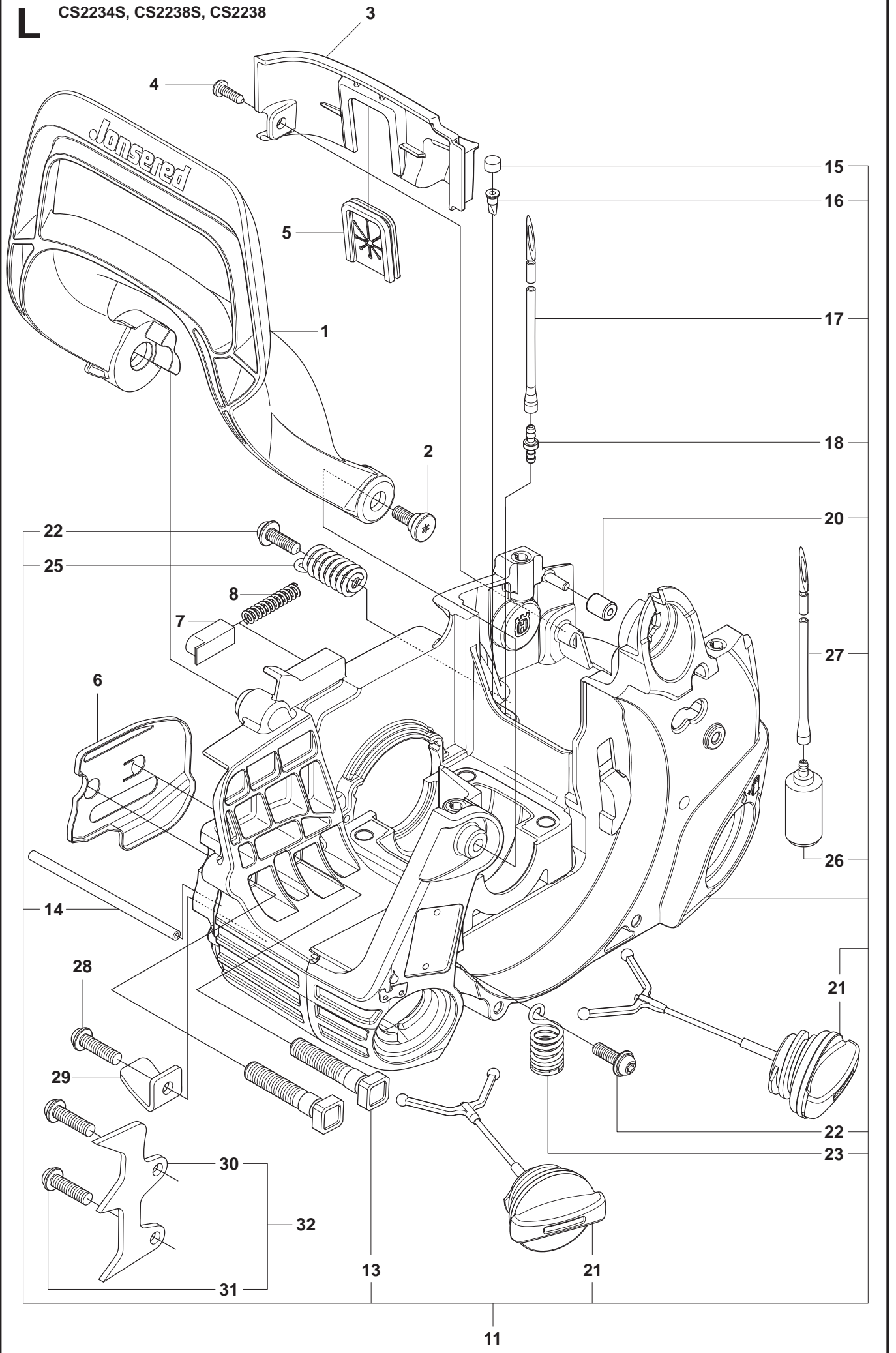
CS2234S, CS2238S, CS2238





**Page K**    **CS2234S**        **CRANKSHAFT**  
**CS2238**  
**CS2238S**

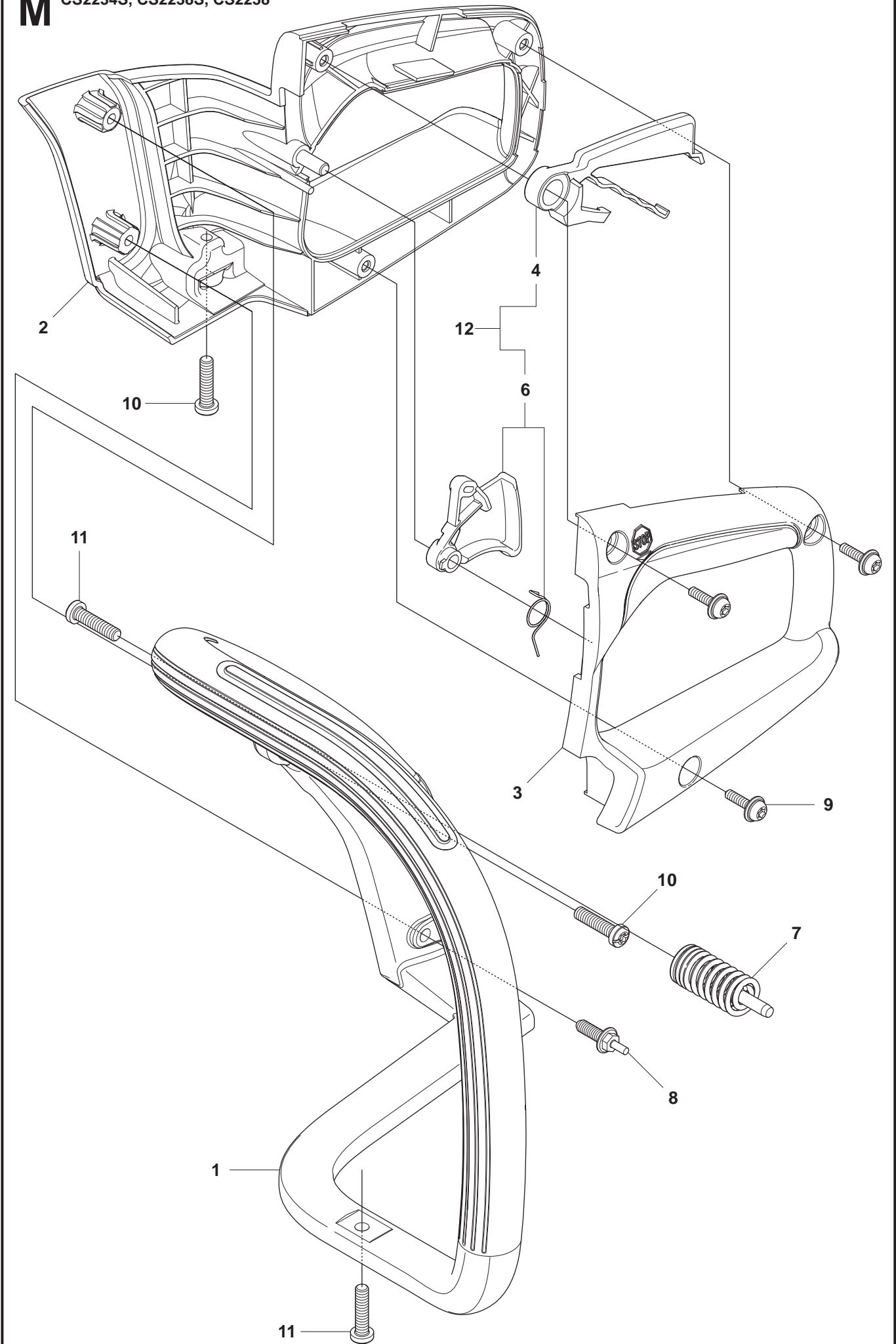
<b>Position</b>	<b>Article</b>	<b>Quantity</b>	<b>Notes</b>	<b>Kit</b>
1	530-056363	2	ASSY MAIN BEARING & SEAL	
2	530-012605	1	ASSEMBLY CRANKSHAFT	



Position	Article	Quantity	Notes	Kit
1	545-161501	1	HANDGUARD	
2	545-127301	1	BOSS SCREW, HANDGUARD	
3	545-061202	1	REAR WALL	
4	530-016064	1	SCREW, MTG REAR WALL	
5	545-075401	1	GROMMET, REAR WALL	
6	545-071401	1	PLATE BAR MOUNTING	
7	545-071301	1	CAP, SPRING HANDGUARD	
8	545-071201	1	SPRING, HANDGUARD POSITION	
11	545-061102	1	CHASSIS ASSEMBLY	
13	530-016133	2	BOLT, BAR	11
14	545-033501	1	ASSY, VENT LINE	11
15	530-029868	1	PLUG VENT (BRONZE)	11
16	530-026119	1	CHECK VALVE (DUCK BILL)	11
17	530-021132	1	LINE-RETURN PURGE	11
18	530023877	1	FITTING- FUEL LINE	11
20	545-061901	1	ISOLATOR FILTER HOUSING	11
21	545-070802	2	ASSY-OIL/FUEL CAP W/RET.	11
22	530-015906	2	SCREW M5.28X1.81X16MM PLAS	11
23	545-033801	1	ASS'Y FRONT ISOLATOR	11
25	545-063101	1	REAR ISOLATOR SPRING	11
26	530-095646	1	ASSY- PICK-UP	11
27	545-078302	1	LINE, FUEL	11
28	530-015814	1	SCREW CATCHER	
29	530-029850	2	CHAIN CATCHER	
30	530-038990	1	SPIKE	32
31	530-016439	2	SCREW SPIKE	32
32	530-014381	1	KIT SPIKE	

**M**

CS2234S, CS2238S, CS2238

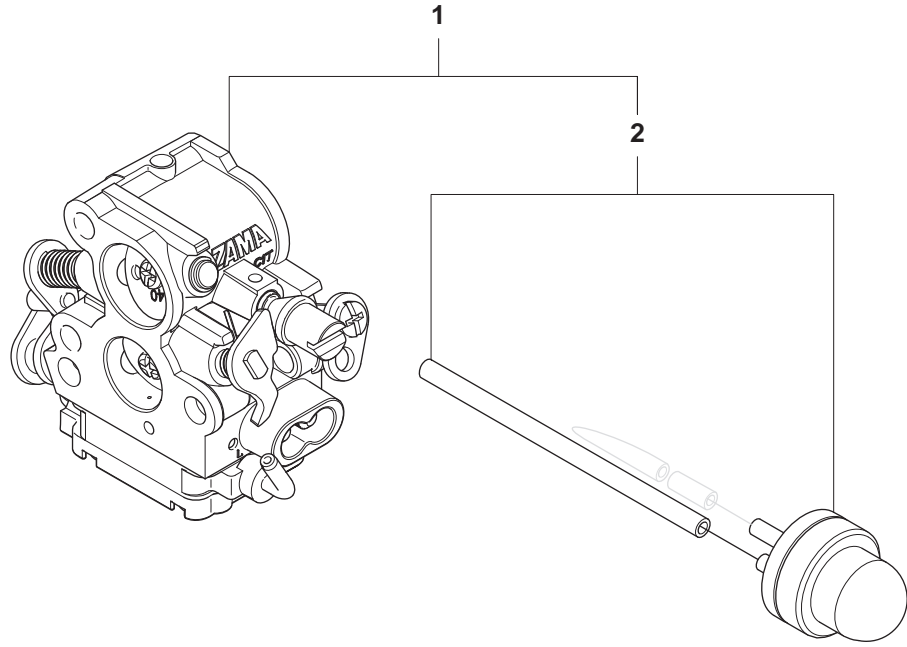


**Page M    CS2234S    HANDLE AND CONTROLS**  
**CS2238**  
**CS2238S**

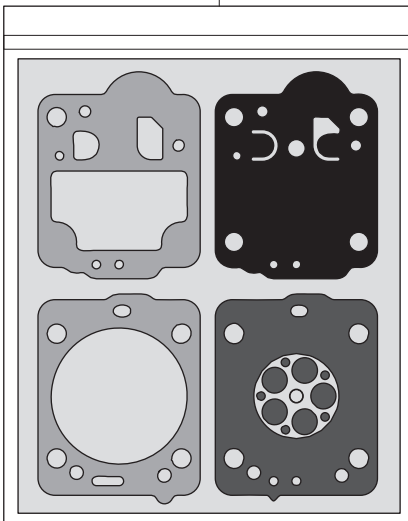
<b>Position</b>	<b>Article</b>	<b>Quantity</b>	<b>Notes</b>	<b>Kit</b>
1	545-161101	1	FRONT HANDLE	
2	545-062204	1	REAR HANDLE W/OVMLD	
3	545-062304	1	REAR HANDLE COVER W/OVMLD	
4	545-062602	1	LOCKOUT- THROTTLE	12
6	545-121502	1	ASSY TRIGGER & SPRING	12
7	545-033801	1	ASS'Y FRONT ISOLATOR	
8	545-076301	1	ISOLATION LIMITER SCREW	
9	530-016433	3	SCREW 8-16X15.1 PL PAN.TRX	
10	530-016349	2	SCREW M5.28X1.81X16MM PLAS	
11	530-016432	2	SCREW M5.38-14X22.225MM	
12	545-180814	1	KIT TRIGGER & LOCKOUT	

**N**

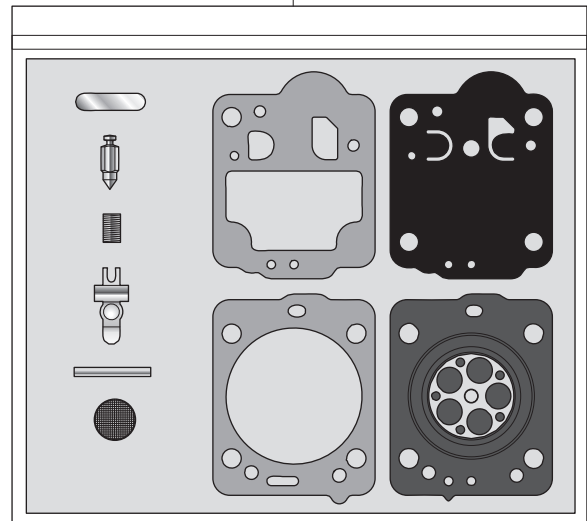
CS2234S, CS2238S, CS2238



3



4

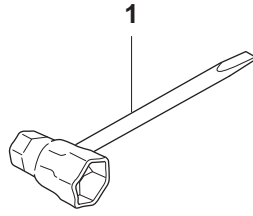


**Page N**    **CS2234S**            **CARBURETOR DETAILS**  
**CS2238**  
**CS2238S**

<b>Position</b>	<b>Article</b>	<b>Quantity</b>	<b>Notes</b>	<b>Kit</b>
1	545-072601	1	CARB COMPLETE	
2	545-008030	1	PURGE AND LINE ASSEMBLY	1
3	545-008031	1	KIT CARB GASKET	
4	545-008032	1	KIT CARB REPAIR	

**P**

CS2234S, CS2238S, CS2238





**Page P**    **CS2234S**    **ACCESSORIES**  
**CS2238**  
**CS2238S**

<b>Position</b>	<b>Article</b>	<b>Quantity</b>	<b>Notes</b>	<b>Kit</b>
1	530-031135	1	SCRENCH	