



Illustrated Parts List

Model Series

100600

TYPE NUMBERS
0001 THROUGH 5025.

TABLE OF CONTENTS

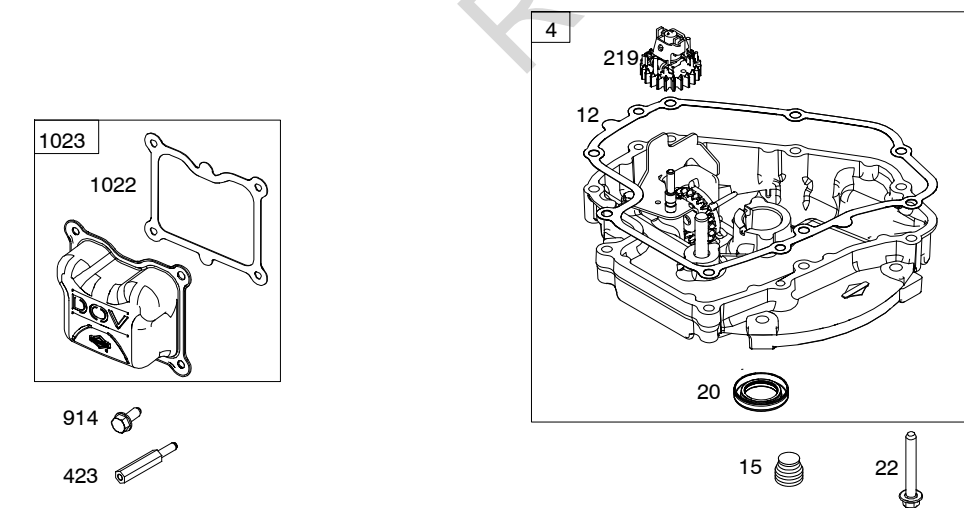
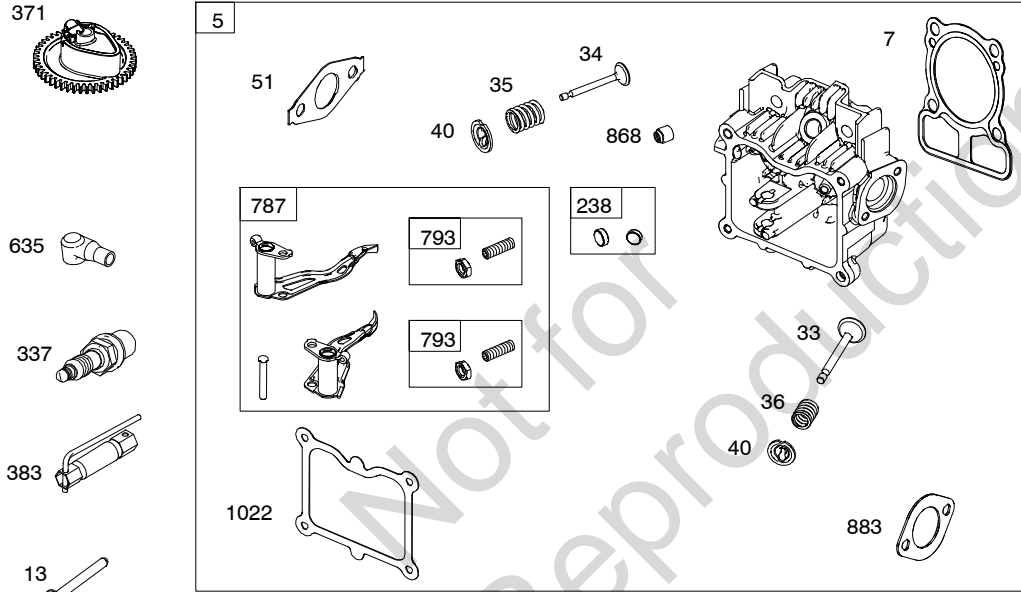
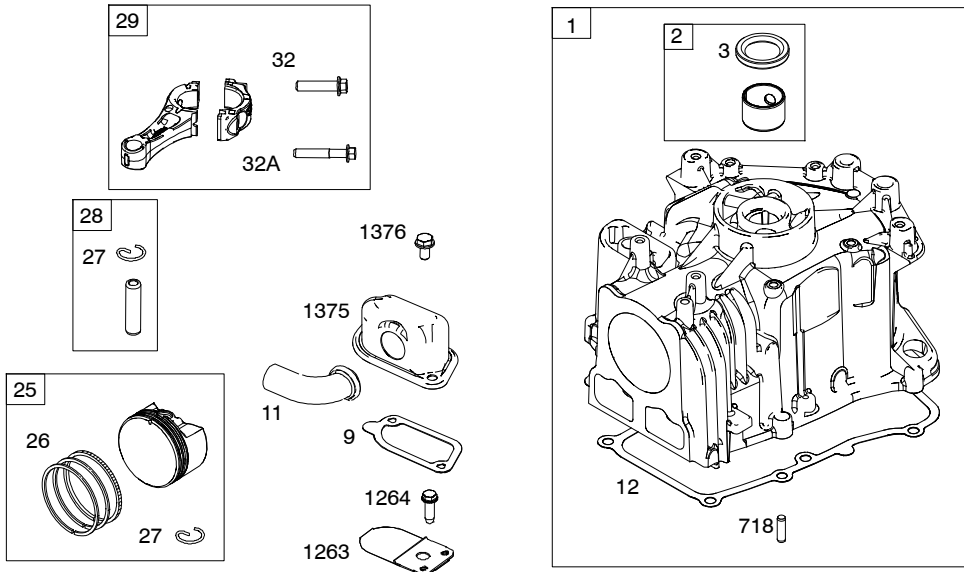
| | |
|--------------------------------------------|---|
| Air Cleaner | 4 |
| Alternator | 6 |
| Blower Housing | 5 |
| Brake | 6 |
| Cam Gear | 2 |
| Carburetor | 3 |
| Carburetor Overhaul Kit | 3 |
| Controls | 6 |
| Crankcase Cover/Sump | 2 |
| Crankshaft | 2 |
| Cylinder | 2 |
| Cylinder Head | 2 |
| Electric Starter/Gasket Sets | 7 |
| Exhaust System | 5 |
| Flywheel | 5 |
| Fuel Supply | 4 |
| Governor Spring | 6 |
| Ignition | 6 |
| Lubrication | 4 |
| Piston, Rings, Connecting Rod | 2 |
| Rewind Starter | 5 |

Not for reproduction



PRINTED IN U.S.A.

COPYRIGHT by BRIGGS & STRATTON CORPORATION
All rights reserved. No part of this material may be reproduced or transmitted,
in any form or by any means, electronic or mechanical, including photocopying,
recording or by any information storage and retrieval system, without permission
in writing from Briggs & Stratton Corporation.



1319 WARNING LABEL

WARNING

Read and follow Operating Instructions before running engine.

Gasoline is flammable. Allow engine to cool at least 2 minutes before refueling.

Engines emit carbon monoxide. DO NOT run in enclosed area.

Muffler area temperature may exceed 150°F. Do not touch hot parts.

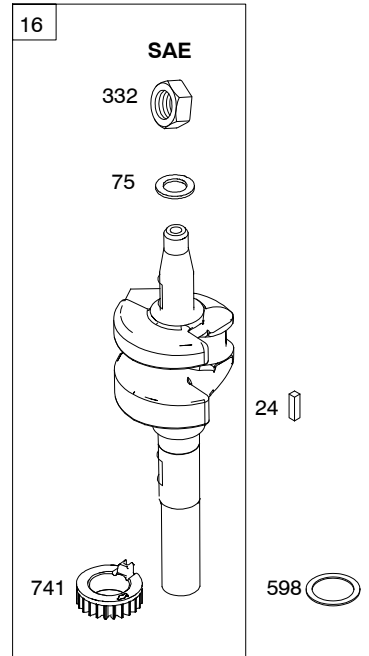
REQUIRED when replacing parts with warning labels affixed.

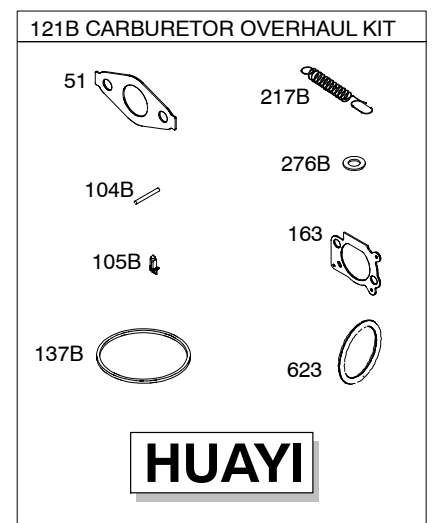
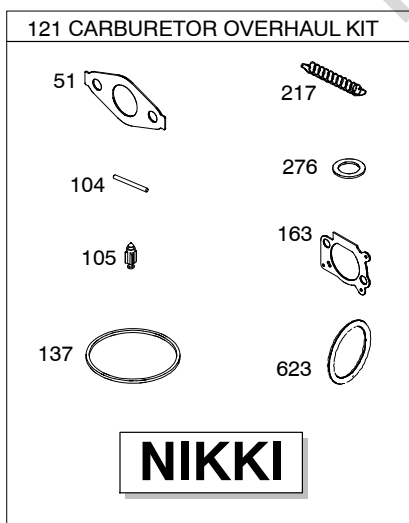
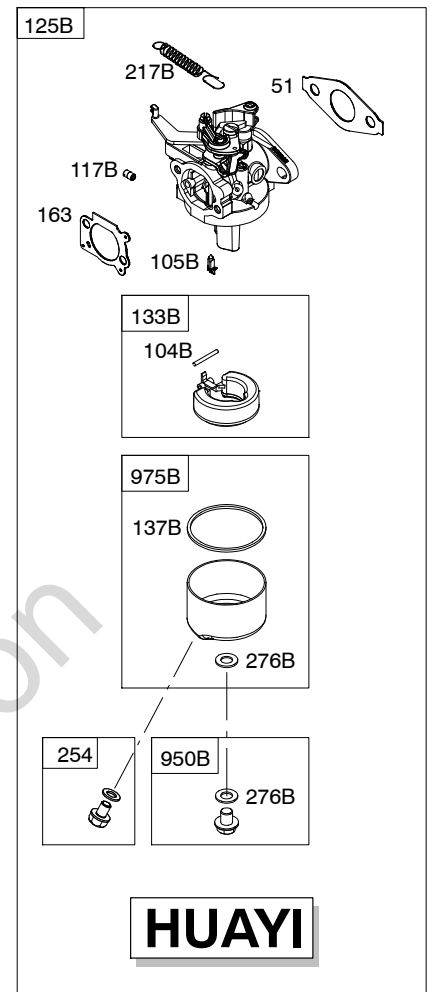
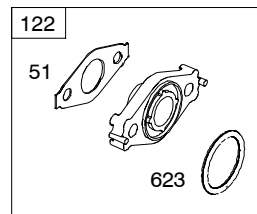
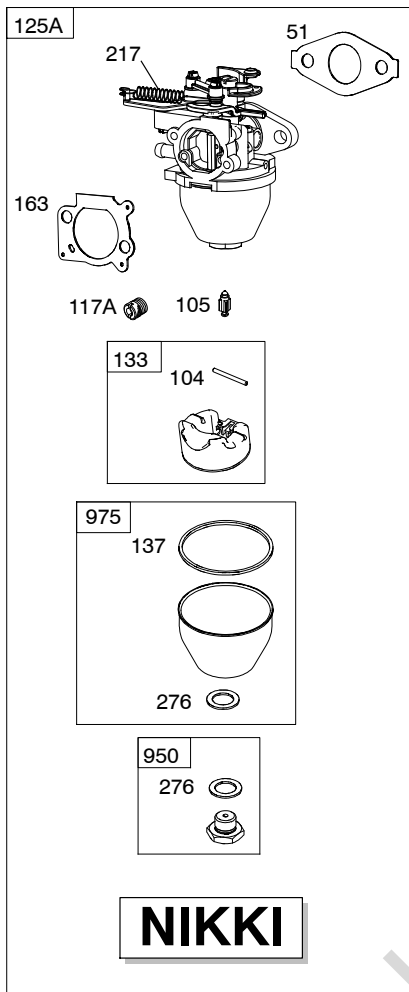
1319A WARNING LABEL

REQUIRED when replacing parts with warning labels affixed.

1330 REPAIR MANUAL

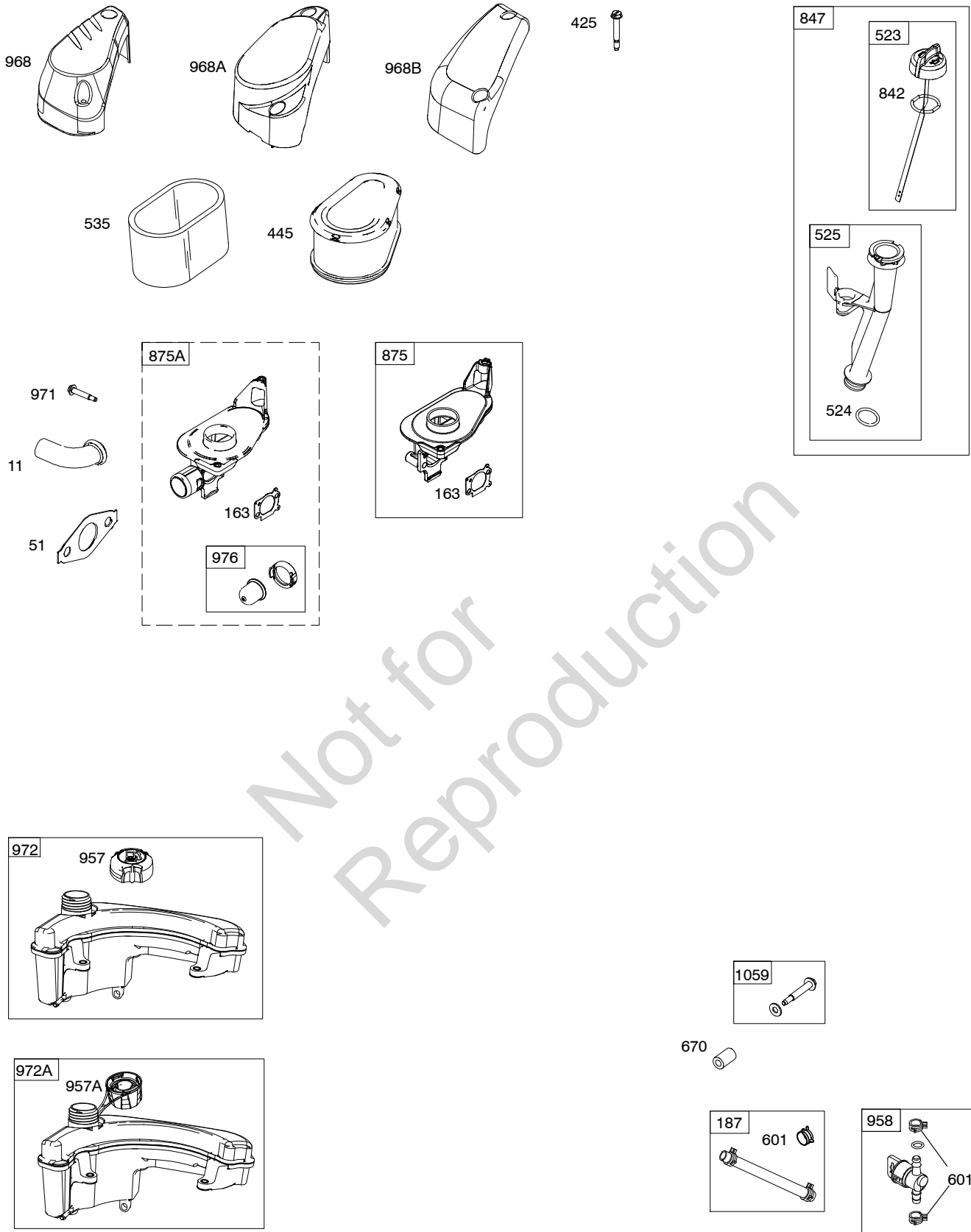
1036 EMISSIONS LABEL





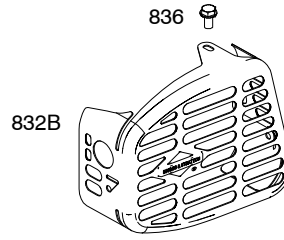
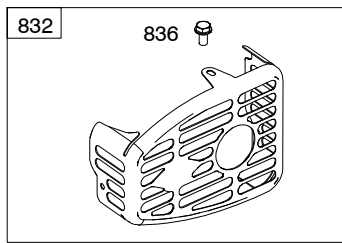
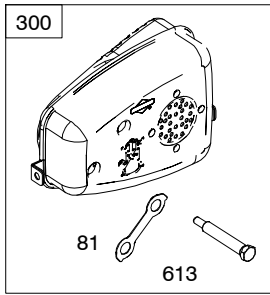
Illustrations cover a range of engines. Parts shown without corresponding text may not be used on your specific engine .

100600

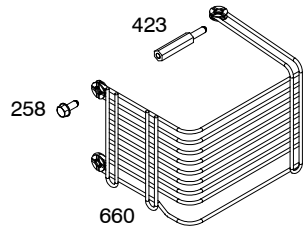
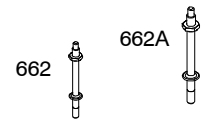
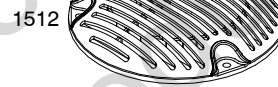
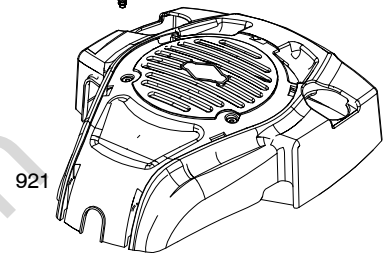
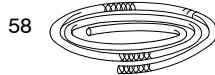
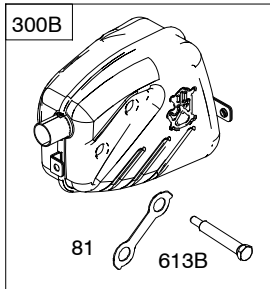
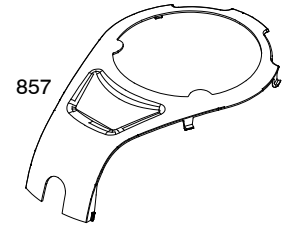
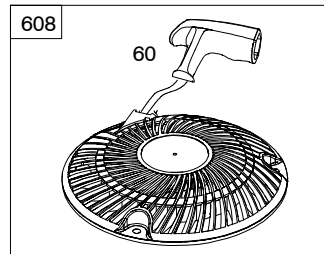
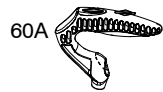
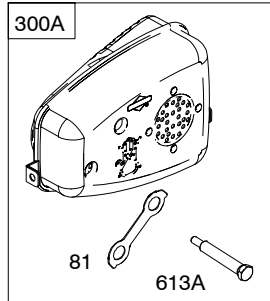


Illustrations cover a range of engines. Parts shown without corresponding text may not be used on your specific engine .
3513-4 Assemblies include all parts shown in frames.

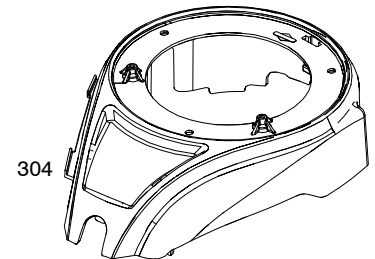
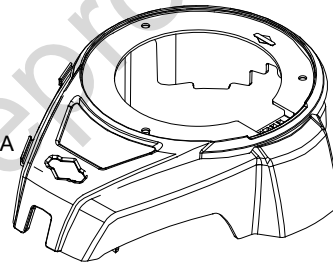
03/02/2016



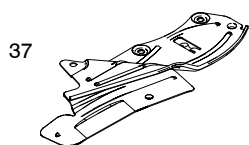
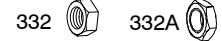
832B



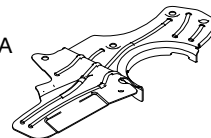
304A



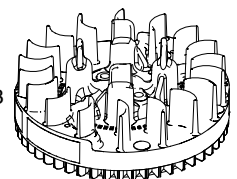
SAE METRIC



37A

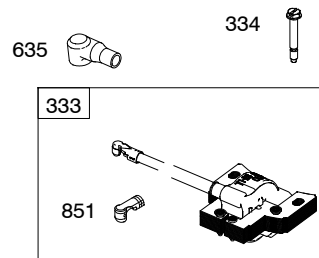
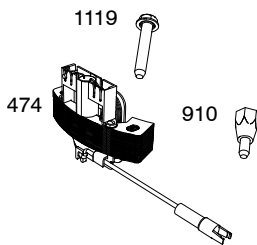
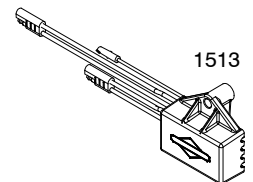
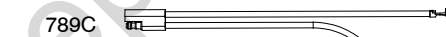
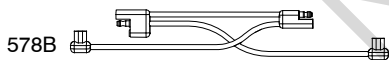
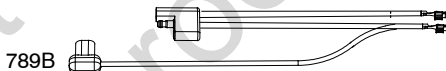
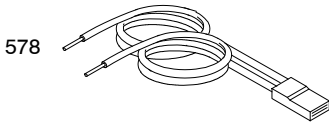
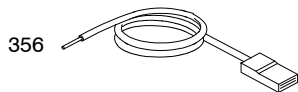
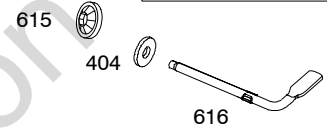
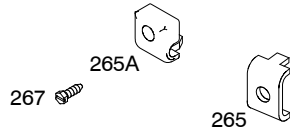
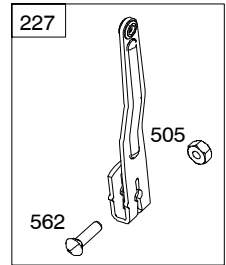
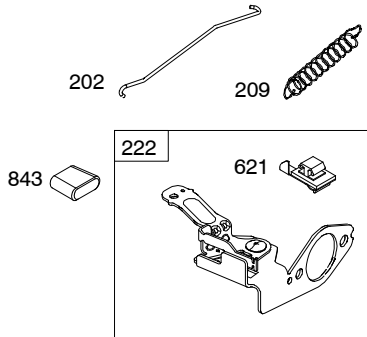
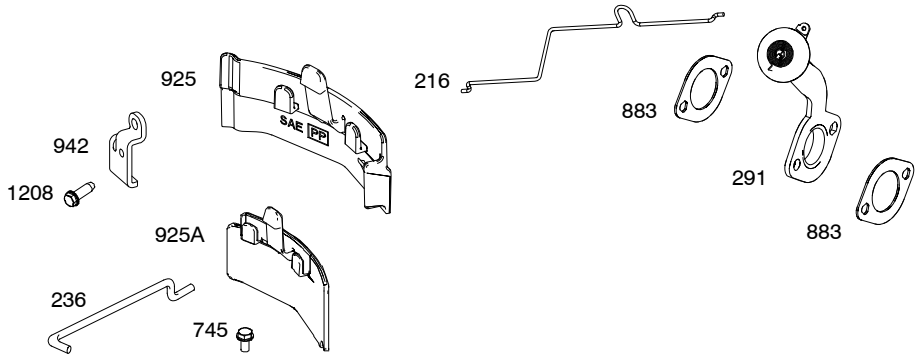
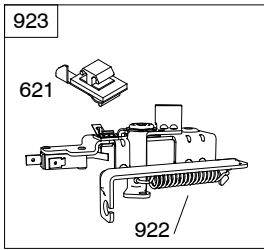


23

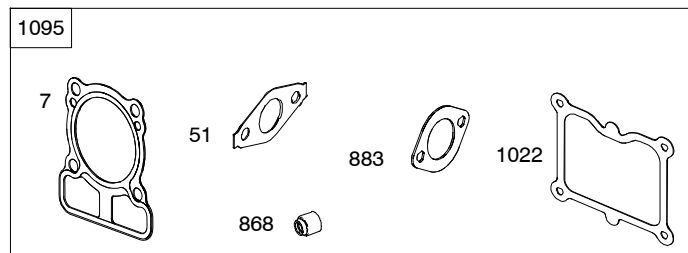
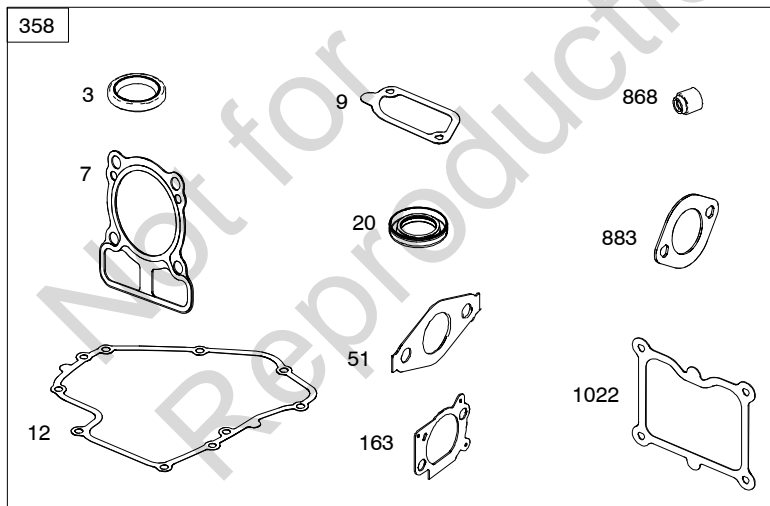
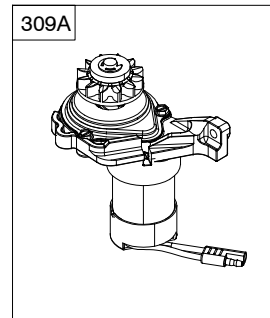
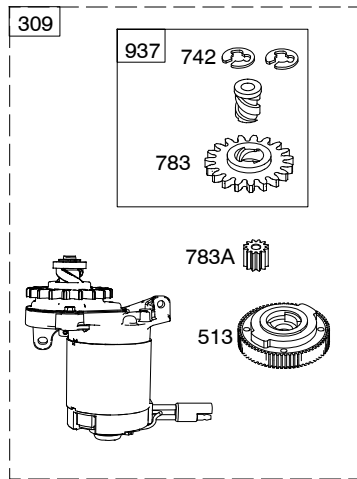


Illustrations cover a range of engines. Parts shown without corresponding text may not be used on your specific engine .

100600



Illustrations cover a range of engines. Parts shown without corresponding text may not be used on your specific engine .
 3513-6 Assemblies include all parts shown in frames. 03/02/2016



Illustrations cover a range of engines. Parts shown without corresponding text may not be used on your specific engine .
 3513-7 Assemblies include all parts shown in frames.

100600

| REF. NO. | PART NO. | DESCRIPTION | REF. NO. | PART NO. | DESCRIPTION | REF. NO. | PART NO. | DESCRIPTION | | | | | | |
|----------|----------|---------------------------------------------------------------------------------------------------------------------------------------------------------------------------------------------------------------------------------------------------------------------------------------------------------------|----------|----------|---------------------------------------------------------------------------------------------------------------------------------------------------------|----------|----------|--------------------------------------------------|--------|----------------------------------------------------------------------------|--------|------------------------------------------------------------------|--------|----------------------------------------------------------|
| 1 | 793508 | Cylinder Assembly | | | 793616 Crankshaft | 60 | 281434s | Grip-Starter Rope (Standard Grip) | | | | | | |
| 2 | 796961 | Kit-Bushing/Seal (Magneto Side) | | | Used on Type No(s). 0008, 0009, 0041, 0112, 0116, 0119, 0120, 0153, 0154, 0164, 0165, 0188, 2112, 2116, 2119, 2120, 3112, 3116, 3153, 3154, 3164, 3165. | 60A | 799716 | Grip-Starter Rope (Ergonomic Grip) | | | | | | |
| 3 | 299819s | Seal-Oil (Magneto Side) | | | | 75 | 691736 | Washer (Flywheel) | | | | | | |
| 4 | 793509 | Sump-Engine | | | | 78 | 793480 | Screw (Flywheel Guard) | | | | | | |
| 5 | 592536 | Head-Cylinder | | | | 81 | 691740 | Lock-Muffler Screw | | | | | | |
| 7 | 793455 | Gasket-Cylinder Head | | | | 104 | 698536 | Pin-Float Hinge (Used Before Code Date 12111900) | | | | | | |
| 9 | 793439 | Gasket-Breather | | | | 104B | 592486 | Pin-Float Hinge (Used After Code Date 12111800) | | | | | | |
| 11 | 793447 | Tube-Breather | 20 | 399781s | Seal-Oil (PTO Side) | | | 105 | 698537 | Valve-Float Needle (Used Before Code Date 12111900) | | | | |
| 12 | 793445 | Gasket-Crankcase (.015" Thick) (Standard) | 22 | 793450 | Screw (Crankcase Cover/Sump) | | | 105B | 592491 | Valve-Float Needle (Used After Code Date 12111800) | | | | |
| 13 | 793451 | Screw (Cylinder Head) | 23 | 595414 | Flywheel | | | 117A | 793694 | Jet-Main (Standard) (Used Before Code Date 12111900) (NO LONGER AVAILABLE) | | | | |
| 15 | 691680 | Plug-Oil Drain | | | ----- Note ----- | | | | | ----- Note ----- | | | | |
| 16 | 793615 | Crankshaft | | | 793682 Flywheel | | | | | 793466 Jet-Main (Standard) (Used Before Code Date 12111900) | | | | |
| | | ----- Note ----- | | | Used on Type No(s). 0036, 0118, 0129, 0150, 0158, 0161, 2118, 2129, 2147, 2148, 3129, 3147, 3148, 3161. | | | | | Used on Type No(s). 0100. | | | | |
| | | 793429 Crankshaft | | | | | | | | 117B | 592490 | Jet-Main (Standard) (Used After Code Date 12111800) | | |
| | | Used on Type No(s). 0004, 0006, 0012, 0016, 0017, 0022, 0031, 0033, 0034, 0036, 0037, 0039, 0045, 0110, 0111, 0124, 0126, 0128, 0131, 0133, 0138, 0144, 0152, 0158, 0160, 0178, 0179, 2110, 2111, 2124, 2126, 2128, 2131, 2133, 2136, 2138, 2150, 3110, 3111, 3124, 3126, 3128, 3133, 3138, 3150, 3152, 3160. | 24 | 222698s | Key-Flywheel | | | | | 118A | 793695 | Jet-Main (High Altitude) (Used Before Code Date 12111900) | | |
| | | 793426 Crankshaft | 25 | 793519 | Piston Assembly (Standard) | | | | | | | ----- Note ----- | | |
| | | Used on Type No(s). 0025, 0027, 0029, 0030, 0038, 0043, 0100, 0121, 0122, 0129, 0139, 0145, 0155, 0168, 0173, 0174, 0186, 0187, 0550, 0584, 0585, 0718, 0771, 0980, 0983, 1144, 1442, 2025, 2121, 2122, 2129, 2139, 2144, 2145, 2152, 2153, 2550, 2584, 2585, 2771, 2980, 2983, 3129, 3980, 5025. | | | ----- Note ----- | | | | | | | 793467 Jet-Main (High Altitude) (Used Before Code Date 12111900) | | |
| | | | 26 | 793435 | Ring Set (Standard) | | | | | | | Used on Type No(s). 0100. | | |
| | | | 27 | 691588 | Lock-Piston Pin | | | | | | | 118B | 592142 | Jet-Main (High Altitude) (Used After Code Date 12111800) |
| | | | 28 | 298909 | Pin-Piston (Standard) | | | | | | | | | |
| | | | 29 | 793510 | Rod-Connecting | | | | | | | | | |
| | | | 32 | 691664 | Screw (Connecting Rod) | | | | | | | | | |
| | | | 32A | 695759 | Screw (Connecting Rod) | | | | | | | | | |
| | | | 33 | 793505 | Valve-Exhaust | | | | | | | | | |
| | | | 34 | 793504 | Valve-Intake | | | | | | | | | |
| | | | 35 | 793506 | Spring-Valve (Intake) | | | | | | | | | |
| | | | 36 | 793506 | Spring-Valve (Exhaust) | | | | | | | | | |
| | | | 37 | 793473 | Guard-Flywheel | | | | | | | | | |
| | | | 37A | 794106 | Guard-Flywheel | | | | | | | | | |
| | | | 40 | 793503 | Retainer-Valve | | | | | | | | | |
| | | | 51 | 692555 | Gasket-Intake | | | | | | | | | |
| | | | 58 | 697316 | Rope-Starter (88 5/8" Long) | | | | | | | | | |

Illustrations cover a range of engines. Parts shown without corresponding text may not be used on your specific engine.

| REF. NO. | PART NO. | DESCRIPTION | REF. NO. | PART NO. | DESCRIPTION | REF. NO. | PART NO. | DESCRIPTION |
|----------|----------|-------------------------------------------------------------------------------------------------------------------------------------------------------------------------------------------------------------------------------------|----------|----------|---------------------------------------------------------------------------------------|----------|----------|---------------------------------------------------------------------------------------------------------------------------------------------------------------------------------------------------------------------------------------------------------------------------------------------------------------------|
| 121 | 793622 | Kit-Carburetor Overhaul | | 793604 | Spring-Governor (Purple) | 300A | 793496 | Muffler |
| 121B | 592483 | Kit-Carburetor Overhaul | | | Used on Type No(s). 0121, 0145, 0155, 2121, 2145. | | | Used on Type No(s). 0001, 0002, 0004, 0012, 0016, 0030, 0035, 0150, 0151, 0156, 0158, 0168, 0172, 0177, 0178, 0179, 0180, 0187, 0189, 2124, 2126, 2128, 2130, 2133, 2138, 2147, 2148, 2149, 2150, 2152, 2153, 2980, 3110, 3111, 3123, 3124, 3126, 3128, 3130, 3133, 3138, 3147, 3148, 3149, 3150, 3156, 3980, 5025. |
| 122 | 793456 | Spacer-Carburetor | 216 | 793494 | Link-Choke | 300B | 793679 | Muffler |
| 125A | 793493 | Carburetor (Used Before Code Date 12111900) (NO LONGER AVAILABLE) | 217 | 797864 | Spring-Choke Return (Used Before Code Date 12111900) | 304 | 793486 | Housing-Blower (Rewind Start) |
| 125B | 595509 | Carburetor (Used After Code Date 12111800) | 217B | 592484 | Spring-Choke Return (Used After Code Date 12111800) | | | ----- Note ----- |
| 133 | 698539 | Float-Carburetor (Used Before Code Date 12111900) | 219 | 793512 | Gear-Governor | | | 794105 Housing-Blower (Electric Start) |
| 133B | 592487 | Float-Carburetor (Used After Code Date 12111800) | 222 | 793487 | Bracket-Control | 304A | 593992 | Housing-Blower (Instart) |
| 137 | 698538 | Gasket-Float Bowl (Used Before Code Date 12111900) | 227 | 793516 | Lever-Governor Control | | | Used on Type No(s). 0014, 0017, 0018, 0020, 0021, 0022, 0024, 0028, 0029, 0031, 0033, 0034, 0038, 0039, 0040, 0041, 0043, 0045, 0045, 0047, 0188. |
| 137B | 592485 | Gasket-Float Bowl (Used After Code Date 12111800) | 236 | 796161 | Link-Lockout (Used on Type No(s). 0177, 0178, 2133, 2134, 3133, 5025.) | 309 | 796386 | Motor-Starter (Used Before Code Date 13092500). (NO LONGER AVAILABLE) (For Replacement Order Reference 309A) |
| 163 | 691894 | Gasket-Air Cleaner | | | ----- Note ----- | 309A | 595406 | Motor-Starter (Used After Code Date 13092400). |
| 187 | 791766 | Line-Fuel (Cut to Required Length) | | | 796161 Link-Lockout (Used After Code Date 08061500). Used on Type No(s). 2015, 2025. | 332 | 690662 | Nut (Flywheel) (SAE) |
| 202 | 793433 | Link-Mechanical Governor | | | 691826 Link-Lockout (Used on Type No(s). 0015, 0025, 0133, 0134.) | 332A | 591988 | Nut (Flywheel) (Metric) |
| | | ----- Note ----- | | | 691826 Link-Lockout (Used Before Code Date 08061600). Used on Type No(s). 2015, 2025. | 333 | 592445 | Armature-Magneto |
| | | 793444 Link-Mechanical Governor (Used on Type No(s). 0100. (NO LONGER AVAILABLE)) | 238 | 793535 | Cap-Valve | 334 | 793454 | Screw (Magneto Armature) |
| | | | 254 | 592493 | Drain-Carburetor Bowl (Used After Code Date 12111800) | | | |
| 209 | 793430 | Spring-Governor | 258 | 699481 | Screw (Control Guard) | | | |
| | | ----- Note ----- | 265 | 691024 | Clamp-Casing | | | |
| | | 793427 Spring-Governor (Yellow) (Used on Type No(s). 0001, 0002, 0010, 0012, 0015, 0016, 0018, 0020, 0021, 0025, 0033, 0045, 0100, 0151, 0168, 0189, 0550, 0584, 0585, 0718, 1144, 1442, 2015, 2025, 2144, 2550, 2584, 2585, 5025.) | 265A | 690798 | Clamp-Casing | | | |
| | | | 267 | 691044 | Screw (Casing Clamp) | | | |
| | | | 276 | 793627 | Washer-Sealing (Used Before Code Date 12111900) | | | |
| | | | 276B | 592489 | Washer-Sealing (Used After Code Date 12111800) | | | |
| | | | 291 | 793498 | Thermostat | | | |
| | | | 300 | 793468 | Muffler (Used on Type No(s). 0100.) | | | |

Illustrations cover a range of engines. Parts shown without corresponding text may not be used on your specific engine.

100600

| REF. NO. | PART NO. | DESCRIPTION | REF. NO. | PART NO. | DESCRIPTION | REF. NO. | PART NO. | DESCRIPTION |
|----------|----------|------------------------------------------------------------------------------------------------------------------------------------------------------------------------------------------------------------------------------|----------|----------|------------------------------------------------------------------------------------|----------|----------|--------------------------------------------------------------------------------------------------------|
| 337 | 692720 | Plug-Spark (EMS) ----- Note ----- 792015 Plug-Spark (Resistor) Used on Type No(s). 0028, 0047. 692051 Plug-Spark Used on Type No(s). 0015, 0100, 0121, 0155, 0584, 0585, 0718, 2015, 2121, 2584, 2585. | 598 | 592587 | Shim-End Play (Crankshaft or Camshaft Bearing) | 787 | 793513 | Arm-Lever |
| 356 | 692390 | Wire-Stop | 601 | 791850 | Clamp-Hose | 789 | 593995 | Harness-Wiring |
| 358 | 793623 | Gasket Set-Engine | 608 | 593958 | Starter-Rewind (Standard Grip) (Do Not Use With Instart Engines) | 789A | 593996 | Harness-Wiring |
| 363 | 19069 | Puller-Flywheel | 613 | 793469 | Screw (Muffler) | 789B | 593997 | Harness-Wiring |
| 365 | 793458 | Screw (Carburetor) | 613A | 793495 | Screw (Muffler) | 789C | 595412 | Harness-Wiring |
| 371 | 794574 | Gear-Cam | 613B | 793680 | Screw (Muffler) | 791 | 593562 | Charger-Battery (Instart) (Europe) ----- Note ----- 593576 Charger-Battery (Instart) (UK) |
| 383 | 19576s | Wrench-Spark Plug ----- Note ----- 590721 Wrench-Spark Plug Used on Type No(s). 0030, 0035, 0151, 0189. | 615 | 690340 | Retainer-Governor Shaft | 793 | 793511 | Screw/Nut Set |
| 404 | 690272 | Washer (Governor Crank) | 616 | 793448 | Crank-Governor | 832B | 793499 | Guard-Muffler |
| 423 | 592511 | Stud (Control Guard) | 621 | 692310 | Switch-Stop | 836 | 793500 | Screw (Muffler Guard) |
| 425 | 793460 | Screw (Air Cleaner Cover) | 623 | 793628 | Seal-O Ring (Carburetor Spacer) | 842 | 691031 | Seal-O Ring (Dipstick Tube) |
| 445 | 792038 | Filter-Air Cleaner Cartridge | 623 | 793628 | Seal-O Ring (Carburetor Spacer) | 843 | 691884 | Sleeve-Lever |
| 474 | 794103 | Alternator | 635 | 66538s | Boot-Spark Plug | 847 | 793474 | Dipstick/Tube Assembly |
| 505 | 793515 | Nut (Governor Control Lever) | 660 | 592446 | Guard-Control | 851 | 493880s | Terminal-Spark Plug |
| 513 | 795100 | Clutch-Drive (Used Before Code Date 13092500). | 662 | 793478 | Stud (Rewind Starter) | 857 | 793533 | Trim-Blower Housing Cover |
| 523 | 793475 | Dipstick | 662A | 793479 | Stud (Rewind Starter) | 868 | 793507 | Seal-Valve |
| 524 | 793476 | Seal-Dipstick Tube | 670 | 793485 | Spacer-Fuel Tank | 875 | 793462 | Base-Air Cleaner |
| 525 | 793477 | Tube-Dipstick | 718 | 690959 | Pin-Locating (Cylinder) | 875A | | Base-Air Cleaner (NO LONGER AVAILABLE) (For Replacement, Order Reference 875) |
| 535 | 793676 | Filter-Air Cleaner Foam | 729 | 799133 | Clip-Wire | | | |
| 562 | 793514 | Bolt (Governor Control Lever) | 741 | 793446 | Gear-Timing | | | |
| 578 | 398153 | Wire Assembly | 742 | 795094 | Retainer-E Ring (Used Before Code Date 13092500 and After Code Date 08123100). | 883 | 793497 | Gasket-Exhaust |
| 578A | 794104 | Wire Assembly | | | ----- Note ----- 93941 Retainer-E Ring (Used Before Code Date 09010100). | 910 | 794101 | Stud (Alternator) |
| 578B | 796980 | Wire Assembly | 745 | 793491 | Screw (Brake) | 914 | 794451 | Screw (Rocker Cover) |
| 578C | 594198 | Wire Assembly | 783 | 795099 | Gear-Pinion (Used Before Code Date 13092500). | 921 | 793531 | Cover-Blower Housing |
| 592 | 793481 | Nut (Rewind Starter) | 783A | 795096 | Gear-Pinion (Used Before Code Date 13092500). | 922 | 692135 | Spring-Brake |
| | | | | | | 923 | 796635 | Brake ----- Note ----- 794107 Brake Used on Type No(s). 0116, 0120, 0584. |
| | | | | | | 925 | 793678 | Cover-Linkage |
| | | | | | | 925A | 796979 | Cover-Linkage |
| | | | | | | 925B | 595409 | Cover-Linkage |
| | | | | | | 937 | 798330 | Spline-Starter (Used Before Code Date 13092500). |

Illustrations cover a range of engines. Parts shown without corresponding text may not be used on your specific engine.

| REF. NO. | PART NO. | DESCRIPTION | REF. NO. | PART NO. | DESCRIPTION | REF. NO. | PART NO. | DESCRIPTION |
|----------|----------|---------------------------------------------------------------|----------|----------|---------------------------------------------------------------------------------|----------|----------|--------------------------------------------------------------------------|
| 942 | 793673 | Bracket-Brake | 972 | 793472 | Tank-Fuel (Standard Cap) | 1095 | 793624 | Gasket Set-Valve |
| 950 | 793465 | Screw-Float Bowl (Used Before Code Date 12111900) | 972A | 799291 | Tank-Fuel (Tethered Cap) | 1119 | 794100 | Screw (Alternator) |
| 950B | 592488 | Screw-Float Bowl (Used After Code Date 12111800) | 975 | 793464 | Bowl-Float (Used Before Code Date 12111900) | 1208 | 699776 | Screw (Brake Bracket) |
| 957 | 692046 | Cap-Fuel Tank (Standard Cap) | 975B | 592492 | Bowl-Float (Used After Code Date 12111800) | 1263 | 697124 | Reed-Breather |
| 957A | 796577 | Cap-Fuel Tank (Tethered Cap) | 976 | 694395 | Primer-Carburetor Used on Type No(s). 0100. | 1264 | 793453 | Screw (Breather Reed) |
| 958 | 698183 | Valve-Fuel Shut Off | 1009 | 794099 | Screw (Starter Motor) | 1319 | 794467 | Label-Warning |
| 968 | 793428 | Cover-Air Cleaner (NO LONGER AVAILABLE) | 1022 | 793437 | Gasket-Rocker Cover | 1319A | 797669 | Label-Warning |
| 968A | 793432 | Cover-Air Cleaner | 1023 | 793436 | Cover-Rocker | 1330 | 277527 | Repair Manual |
| 968B | 793532 | Cover-Air Cleaner | 1036 | | Label-Emissions (Available From A Briggs & Stratton Authorized Dealer) | 1375 | 793442 | Cover-Breather Reed |
| 969 | 690700 | Screw (Blower Housing Cover) | 1059 | 793471 | Kit-Screw/Washer (Fuel Tank) | 1376 | 699851 | Screw (Breather Reed Cover) |
| 971 | 591307 | Screw (Air Cleaner Base To Carburetor/Throttle Body) | | | | 1511 | 593560 | Battery (Instart) (Australia) (Instart) (Europe) (Instart) (UK) |
| | | | | | | 1512 | 593993 | Screen (Instart) |
| | | | | | | 1513 | 593994 | Module-Starter (Instart) |

Illustrations cover a range of engines. Parts shown without corresponding text may not be used on your specific engine.

Not for
Reproduction

