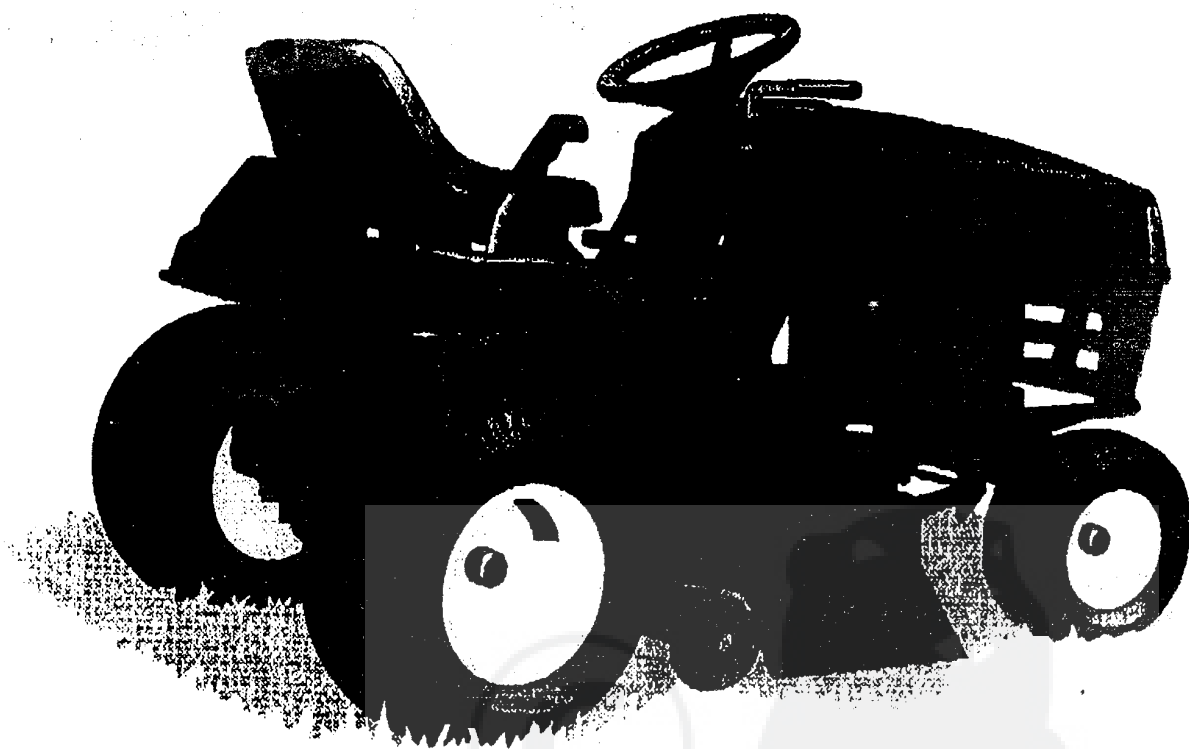


MANUEL

PIÈCES DE RECHANGE

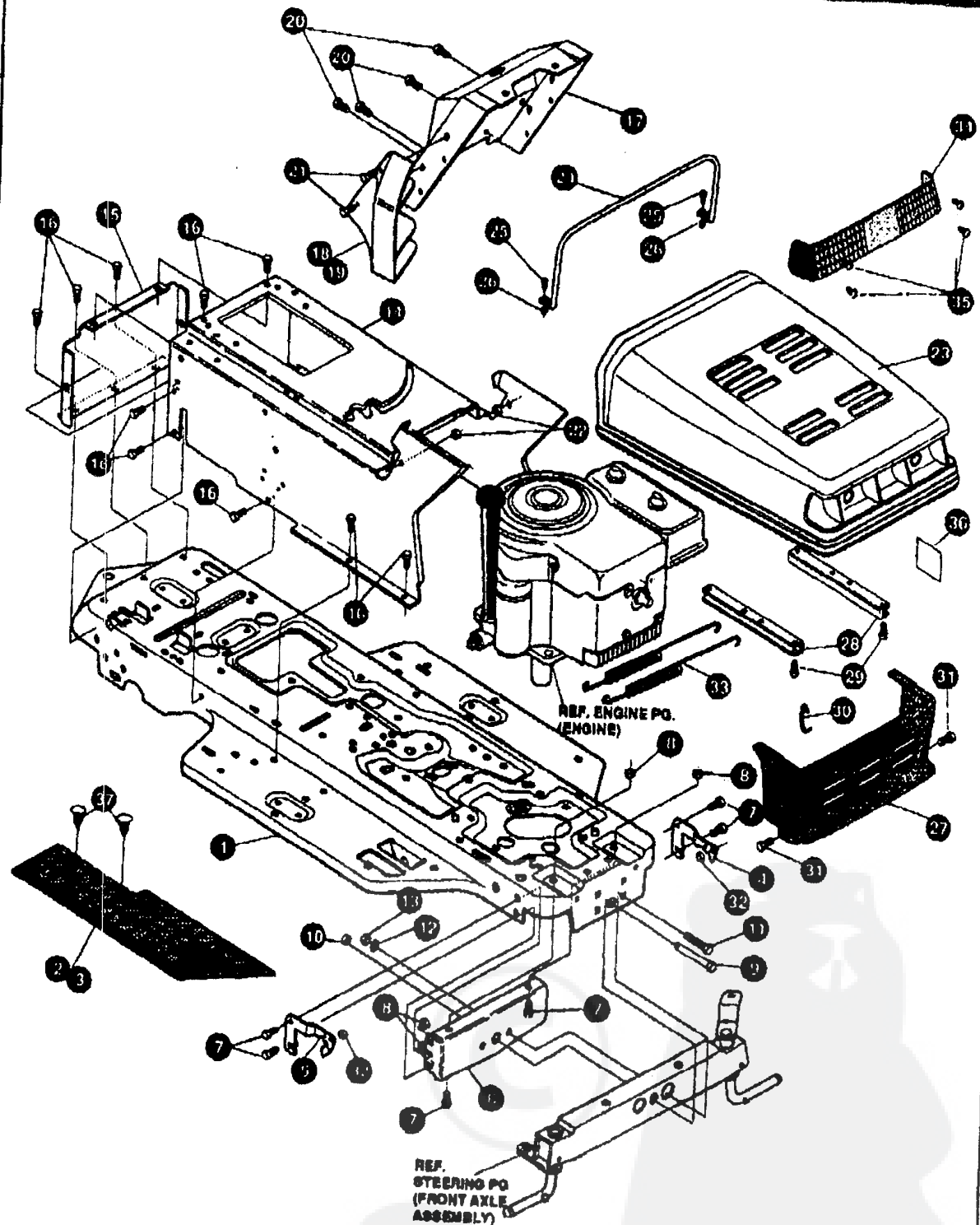
Tracteurs



**TONDEUSE AUTOPORTEE**  
**Modèle F3554-060**

Pièce No. 335395

ENSEMBLE CHASSIS & CAPOT (AVANT)



UTILISEZ DES PIÈCES D'ORIGINE POUR  
CONSERVER L'APPLICATION DE LA GARANTIE

TOUTES LES PIÈCES NON  
REFERÉES SONT  
INTERCHANGEABLES AVEC  
LEURS OPPOSEES.

333021 A

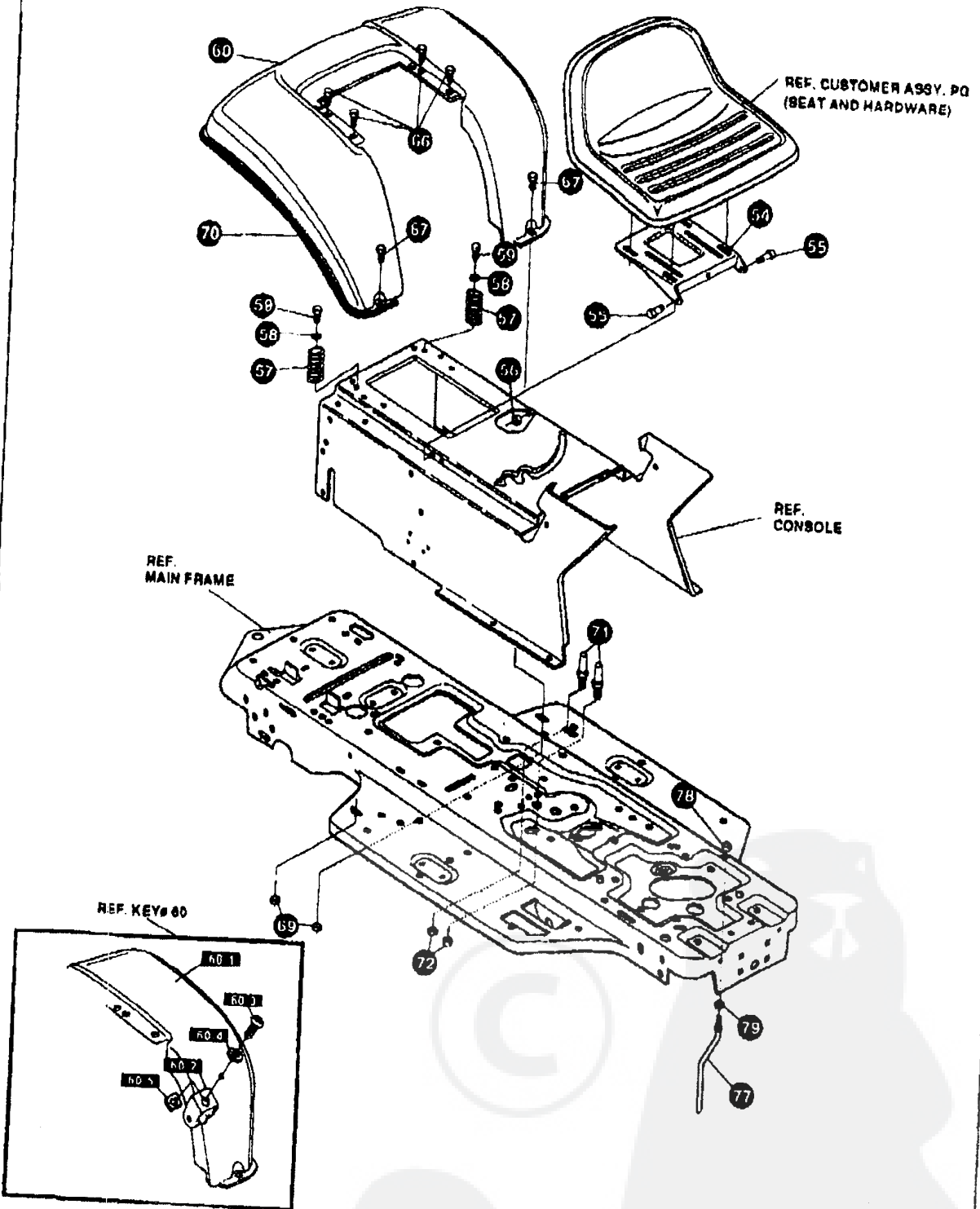
JUL 20 00 11:01 No.012 P.03

# TRACTEUR TONDEUSE 38" MODÈLE F3554-060

KEY#	PART#	DESCRIPTION	QTY
1	331173-860	FRAME, MAIN SF RIDER	1
2	310003	FOOT PAD, LH, SF, MOLDED DYNA	1
3	310004	FOOT PAD, RH, SF, MOLDED DYNA	1
4	313003-853	BRACKET, GRILLE SUPPORT, LH	1
5	313004-853	BRACKET, GRILLE SUPPORT, RH	1
6	56362-853	BRACKET, SUPPORT, FRONT AXLE, SF	1
7	328154	SCREW, 5/16-18 X 1.0 WDFLLK	6
8	55273	NUT, 5/16-18 WDFLLKLRG, WHIZ	6
9	29818	BOLT, .625 X 1.890 HSH, 1/2-20	1
10	274854	NUT, 1/2-20 REQHXCTRLK	1
11	180138	SCREW, 3/8-18 X 3.00 HHC	2
12	2483	WASHER, 3/8 ID X 1.25 D X .07 BELLVIL	2
13	1499	NUT, 3/8-18 REQHXCTRLK	2
14	332178-860	CONSOLE, SF, GP DASH	1
15	58235-860	CONSOLE, REAR COVER	1
16	995346	SCREW, 1/4-20 X .60 WAHHTAP	16
17	321980-853	DASH, SF, W/O AMMET, GPWR	1
18	302723	INSERT, DASH, LH, 11HP	1
19	302724	INSERT, DASH, RH, 11HP	1
20	44811	SCREW, 1/4-20 X .75 WAHHTAP	4
21	274672	SCREW, 1/4-20 X .63 WAHHC	4
22	51335	NUT, 1/4-20 WDFL, WHIZ-LK	4
23	307032	HOOD, H-12, PLASTIC	1
24	307278	SUPPORT, HOOD, H-12, GP, 11HP	1
25	301542	SCREW, 10-24 X 1.00 HWATAP	4
26	308459	NUT, #10-24 HXHDNYLK	4
27	302722	GRILL, G-15, GPWR, SM, LOWER	1
28	9783	BRACKET, TIE, HOOD	2
29	35055	SCREW, 10-24 X .50 BLHWATAP	8
30	310203	CLIP, HOG RING C-SHAPED	1
31	58878	BOLT, .375 X .580 HSH, 5/16-18	2
32	1498	NUT, 5/16-18 REQHEXCTRLK	2
33	57478	SPRING, HOOD LATCH	2
34	305716	LENS, 11HP, HAKO SMOKED, H-12	1
35	57798	SCREW, #6 X .50 PLASTITE/HI-LO	4
36	301452	FOIL, HEAT REFLECTOR	1
37	309235	FASTENER, RATCHET, BLACK	12
	336395	PARTS MANUAL	1
	336427	OPERATOR'S MANUAL (FRENCH)	1

10.  
**ENSEMBLE CHASSIS & CAPOT (ARRIERE)**

JUL 20 '00 11:02 No.012 P.04



UTILISEZ DES PIÈCES D'ORIGINE POUR  
CONSERVER L'APPLICATION DE LA GARANTIE

TOUTES LES PIÈCES NON  
REFERÉES SONT  
INTERCHANGEABLES AVEC  
LEURS OPPOSÉES.

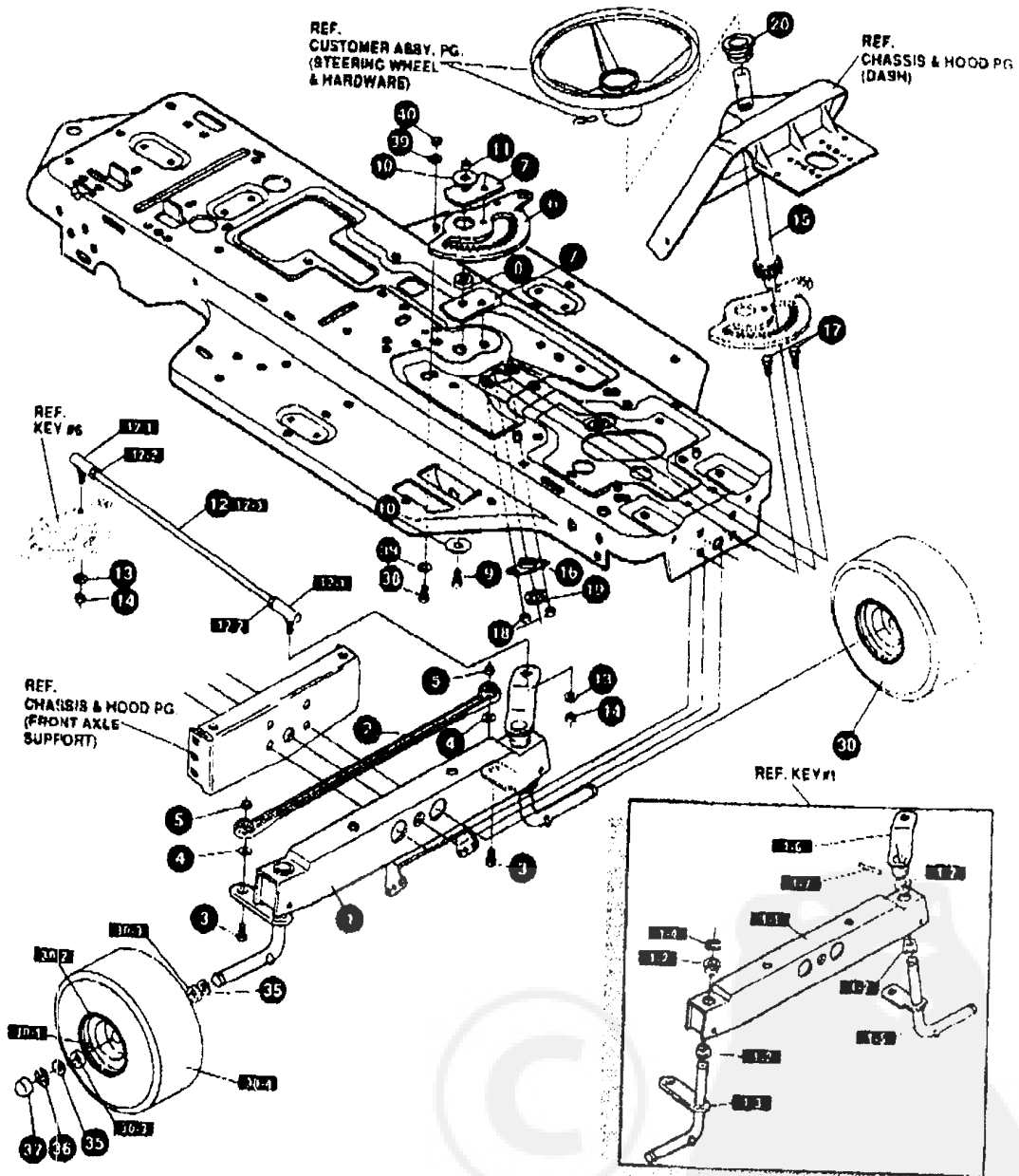
333021 A

**TRACTEUR TONDEUSE 38" MODÈLE F3554-060**

KEY#	PART#	DESCRIPTION	QTY
54	68367-880	PLATE, SEAT, F5, SF, LF .....	1
55	20507	BOLT, .437 X .158 HSH, 5/16-18 .....	2
56	1498	NUT, 5/16-18 REGHEXCTRLK .....	2
57	330483	SPRING, SEAT 1.50 OD X 2.25 LONG .....	2
58	120392	WASHER, FLAT .281 X .63 X .065 .....	2
59	995346	SCREW, 1/4-20 X .50 WAHTAP .....	2
60	"	ASSEMBLY, FENDER, F5, SF, SOC/LOF .....	1
60-1	332428-880	FENDER, F5, SF, SOC/LOF .....	1
60-2	8239	CLEVIS .....	1
60-3	439455	SCREW, 5/16-18 X .68 PHPNMA .....	1
60-4	301661	WASHER, .344 ID X 1.50 D X .09 .....	1
60-5	120373	NUT, 5/16-18 SQUARE .....	1
66	995346	SCREW, 1/4-20 X .50 WAHTAP .....	4
67	126368	BOLT, 5/16-18 X 1.00 CARRLN .....	2
69	55273	NUT, 5/16-18 WDFLLKLRG, WHIZ .....	2
70	55023	TRIM, STRIP, BLACK—SMALL, W/ADH .....	77.5*
71	53446	PIN, 5/16-18 HOOD LATCH .....	2
72	271184	NUT, 5/16-18 HEXKEPS .....	2
77	50853	GUIDE, BELT .....	1
78	41529	NUT, 3/8-16 HXCTRLKJAM .....	1
79	271190	NUT, 3/8-16 HEXKEPS .....	1

\* ORDER INDIVIDUAL PARTS - ASSEMBLY NOT AVAILABLE

# ENSEMBLE DE DIRECTION



UTILISEZ DES PIÈCES D'ORIGINE POUR  
CONSERVER L'APPLICATION DE LA GARANTIE

TOUTES LES PIÈCES NON  
RÉFÉRÉES SONT  
INTERCHANGEABLES AVEC  
LEURS OPPOSÉS.

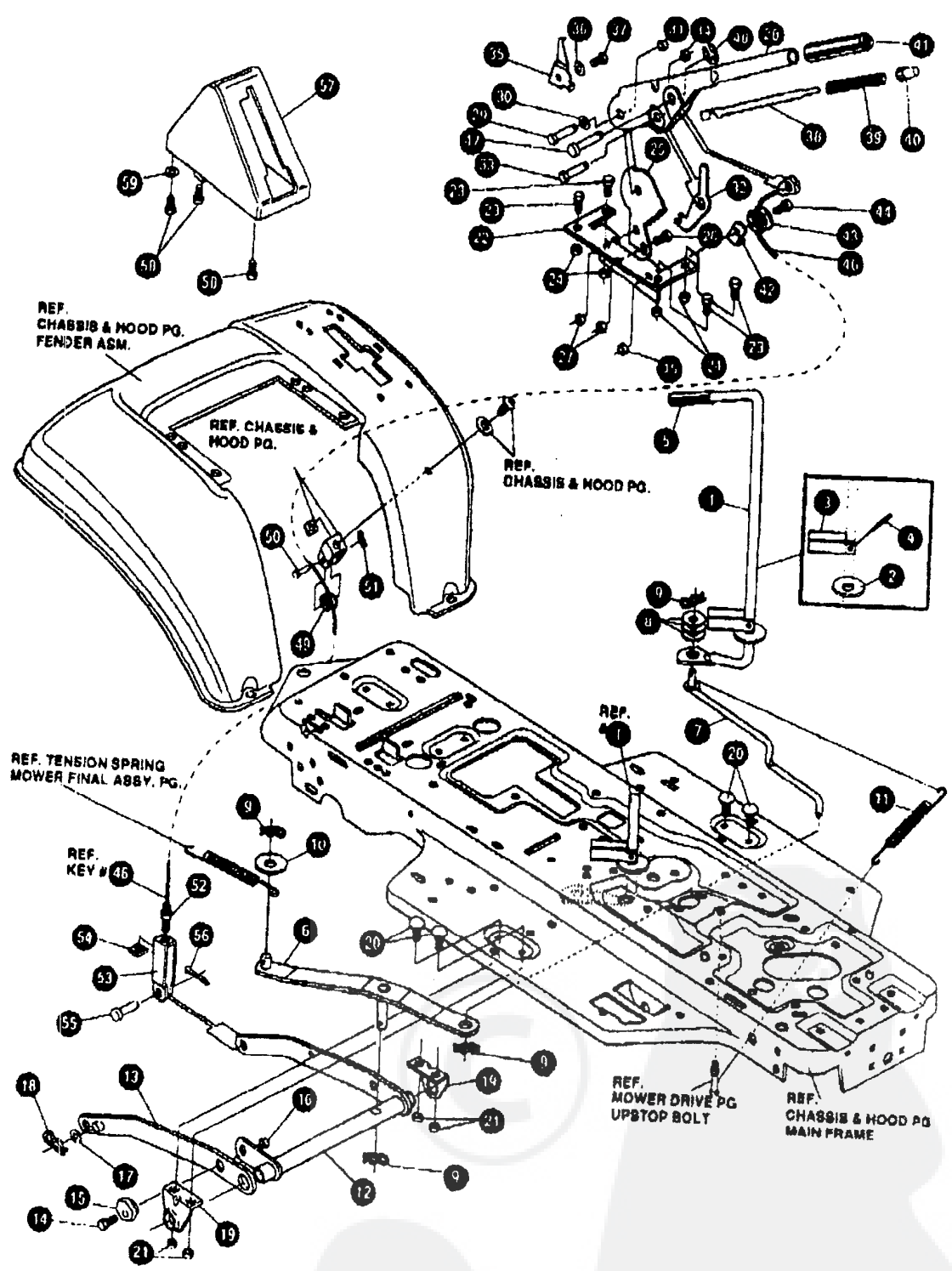
327592 H

**TRACTEUR TONDEUSE 38" MODÈLE F3554-060**

KEY#	PART#	DESCRIPTION	QTY
1	.	FRONT AXLE ASSEMBLY, SF, LONG	1
1-1	324916	ASSEMBLY, FRONT AXLE, SF, OS	1
1-2	50546	BEARING, FLANGE .789 ID X 1.002 OD X .75	4
1-3	310388	SPINDLE ASSEMBLY, RH, LONG, SF	1
1-4	36625	RING, RETEX .57 X .05 TRU 5133-76	1
1-5	310387	SPINDLE ASSEMBLY, LH, LONG, SF	1
1-6	327619	ARM ASSEMBLY, SF, 4WS, FRONT STEERING	1
1-7	454565	PIN, SPRING .250 DIA X 1.25 LONG	1
2	302688	ASSEMBLY, TIE ROD, 19.31 LONG	1
3	180124	SCREW, 3/8-18 X 1.25 HMC	2
4	120382	WASHER, REGSPTLK .393 X .68 X .10	2
5	1499	NUT, 3/8-18 REGHXCTRLK	2
6	327369	GEAR, SECTOR, SF, 2WB	1
7	333289	PLATE, SECTOR, SF, 4WS, BLK	2
8	330021	BUSHING, SECTOR GEAR, SF, 4WS	1
9	181643	SCREW, 3/8-24 X 1.50 HMC	1
10	845	WASHER, FLAT .390 X 1.25 X .119	2
11	412349	NUT, 3/8-24 HXCTRLK	1
12	328808	DRAG LINK ASSEMBLY, 17.69 LONG	1
12-1	57158	BALL JOINT, 3/8 THD SHORT STUD	2
12-2	124925	NUT, 3/8-24 REGHEXJAM	2
12-3	56190	DRAG LINK	1
13	120382	WASHER, REGSPTLK .393 X .68 X .10	2
14	120369	NUT, 3/8-24 REGHEX	2
15	327395	SHAFT, PIN-STEER, BLACK	1
16	326592	BEARING, FLANGE .50 ID X 1.370 ODX	1
17	326505	SCREW 1/4-20X.75 (TO 30-35 FT#)	2
18	48931	NUT, 1/4-20 WDFL MAC-LOCK	2
19	20864	RING, RET E .39 X .04 TRU 5133-50	1
20	54902	BEARING, FLANGE .763 ID X 1.37 OD X .50	1
30	.	TIRE & RIM, PU 15 X 6.0 X 6	2
30-1	24167	VALVE STEM	
30-2	39829	RIM, WHEEL	
30-3	314416	BEARING, FLANGE	
30-4	316702	TIRE, 15 X 6 X 6	
35	642	WASHER, FLAT .755 X 1.31 X .076	4
36	36825	RING, RETEX .57 X .05 TRU 5133-76	2
37	40394	HUB CAP, 1.500 ID X 7/8 LONG	2
38	180124	SCREW, 3/8-18 X 1.25 HMC	1
39	120384	WASHER, FLAT .406 X .81 X .065	2
40	45171	NUT, 9/8-16 HWDFL WHIZ-LOCK	1

\* ORDER INDIVIDUAL PARTS - ASSEMBLY NOT AVAILABLE

# ENSEMBLE DE SUSPENSION DE LA TONDEUSE



UTILISEZ DES PIÈCES D'ORIGINE POUR  
CONSERVER L'APPLICATION DE LA GARANTIE

TOUTES LES PIÈCES NON  
REFEREES SONT  
INTERCHANGEABLES AVEC  
LEURS OPPOSEES.

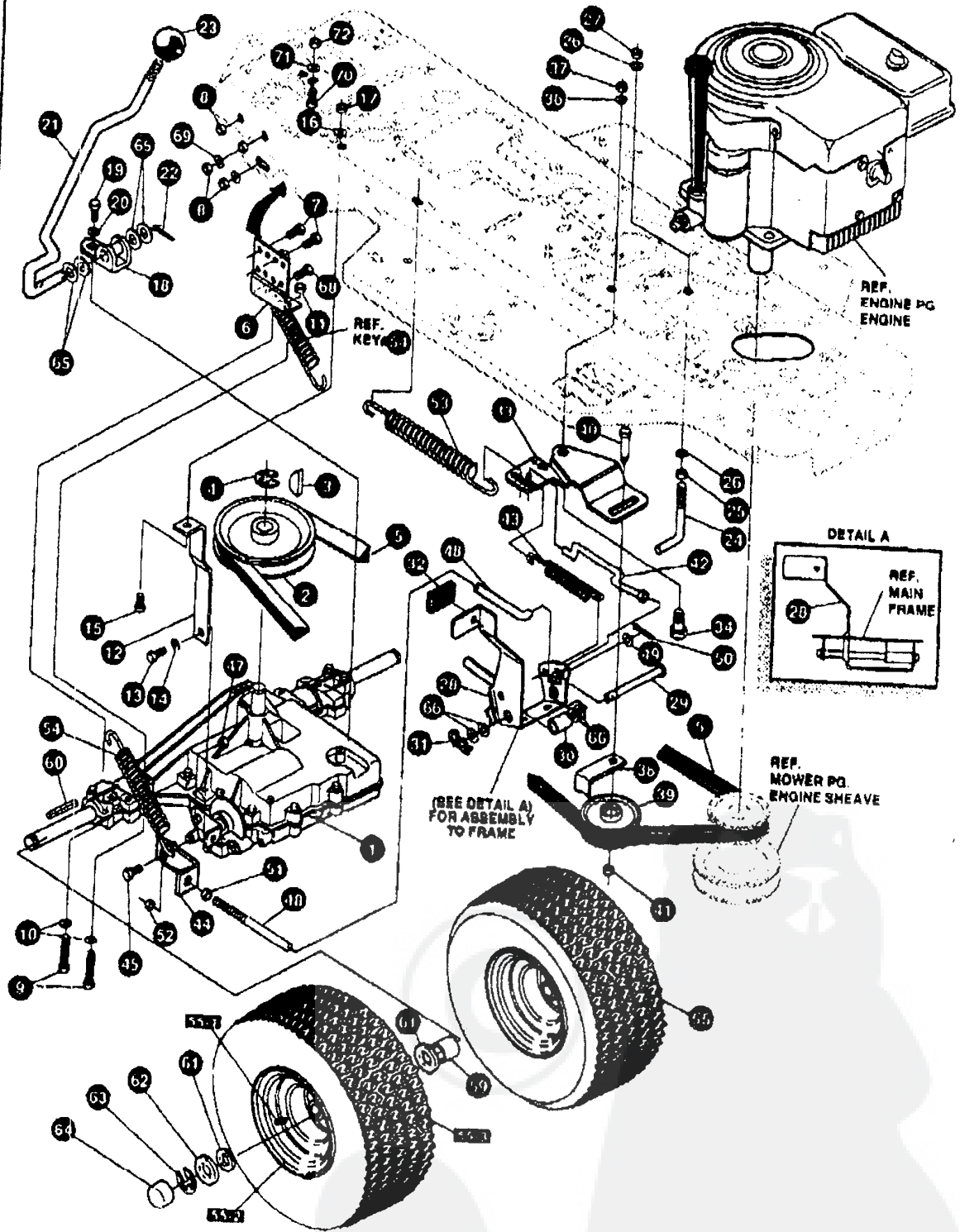
333061 B



# TRACTEUR TONDEUSE 38" MODÈLE F3554-060

KEY#	PART#	DESCRIPTION	QTY
1	325592	LEVER, CLUTCH, RH, PTO	1
2	22286	WASHER, FLAT .515 X 1.39 X .119	1
3	305225	STOP, PTO ENGAGE	1
4	326386	PIN, SPRING, 187 DIA X 1.13 LONG	1
5	321897	KNOB, ROUND 1.50 DIA OR GRIP, SF	1
6	325587	STRAP ASSEMBLY, PTO BELCRANK, SF	1
7	325590	ROD, BELCRANK LINK, SF	1
8	274617	WASHER, FLAT .408 X .79 X .063	3
9	8280	PIN, HAIR .091 DIA X 1.86 LONG	4
10	26210	WASHER, FLAT .388 X 1.25 X .09	1
11	325802	SPRING, .69 X 7.76 X .0897 TENSION	1
12	328114-859	LIFT ASSEMBLY, LH	1
13	325190-853	LIFT ASSEMBLY, RH, SF	1
14	180079	SCREW, 5/16-18 X 1.00 HHC	1
16	68247	NUT, ADJUST	1
18	1498	NUT, 5/16-18 REGHEXCTRLK	1
17	417098	WASHER, FLAT .531 X 1.06 X .069	2
18	8290	PIN, HAIR .091 DIA X 1.86 LONG	2
19	325495-853	BRACKET, REAR HANG, SUSP	2
20	330967	BOLT, 5/16-18 X 1.00 CARR	4
21	1498	NUT, 5/16-18 REGHEXCTRLK	4
22	313928	BRACKET, HEIGHT ADJUST	1
23	180077	SCREW, 5/16-18 X .75 HHC	4
24	1498	NUT, 5/16-18 REGHEXCTRLK	4
25	301238	QUADRANT, HEIGHT ADJUST	1
26	180077	SCREW, 5/16-18 X .75 HHC	2
27	1498	NUT, 5/16-18 REGHEXCTRLK	2
28	322292-859	HANDLE, LIFT SHORT (90° S.F.)	1
29	300171	BOLT, 500 X .270 HHSB, 5/16-18	1
30	996418	WASHER, FLAT .508 X .76 X .024	1
31	44108	NUT, 5/16-18 HWDFLCTRLK	1
32	301239	PAWL, SQUARE	1
33	300171	BOLT, 500 X .270 HHSB, 5/16-18	1
34	44108	NUT, 5/16-18 HWDFLCTRLK	1
35	9435	POINTER, HEIGHT ADJUST	1
36	138479	WASHER, EXLK .185 X .41 X .09	1
37	35287	SCREW, #8-32 X .39 HHWATAP	1
38	303027	ROD, ACTUATOR-SHORT	1
39	68328	SPRING, HEIGHT ADJUST	1
40	68325	KNOB, HEIGHT ADJUST, PUSH BUTTON	1
41	68329	GRIP, .780 OD, W/ HOLE BLACK	1
42	9149	BRACKET, CABLE RETAINER	1
43	48306	PULLEY, METAL	1
44	68336	BOLT, .375 X .375 HHSB, 1/4-20	1
45	1502	NUT, 1/4-20 REGHEXCTRLK	1
46	321430	CABLE, LIFT 21.50 - 30° S.F.	1
47	300310	PIN, CLEVIS 310 DIA - .475 LONG	1
48	300311	RING, RET E .31 X .25 TRU 6133-31	1
49	48308	PULLEY, METAL	1
50	300317	PIN, CLEVIS .375 DIA X .81 LONG	1
51	8280	PIN, HAIR .091 DIA X 1.86 LONG	1
52	120976	NUT, 1/4-20 REGHEX	1
53	9405	CLEVIS, LIFT CABLE	1
54	120372	NUT, 1/4-20 REGSQ	1
55	39522	PIN, CLEVIS .312 X .812	1
56	121222	PIN, COTTER .090 DIA X .75 LONG	1
57	393903	LIFT COVER, F5, LF, SF, BLACK	1
58	300340	SCREW, #10 X .75 HHPLAST, BLACK	3
59	120392	WASHER, FLAT .281 X .63 X .065	1

# TRANSMISSION



UTILISEZ DES PIÈCES D'ORIGINE POUR  
CONSERVER L'APPLICATION DE LA GARANTIE

TOUTES LES PIÈCES NON  
REFEREES SONT  
INTERCHANGEABLES AVEC  
LEURS OPPOSEES.

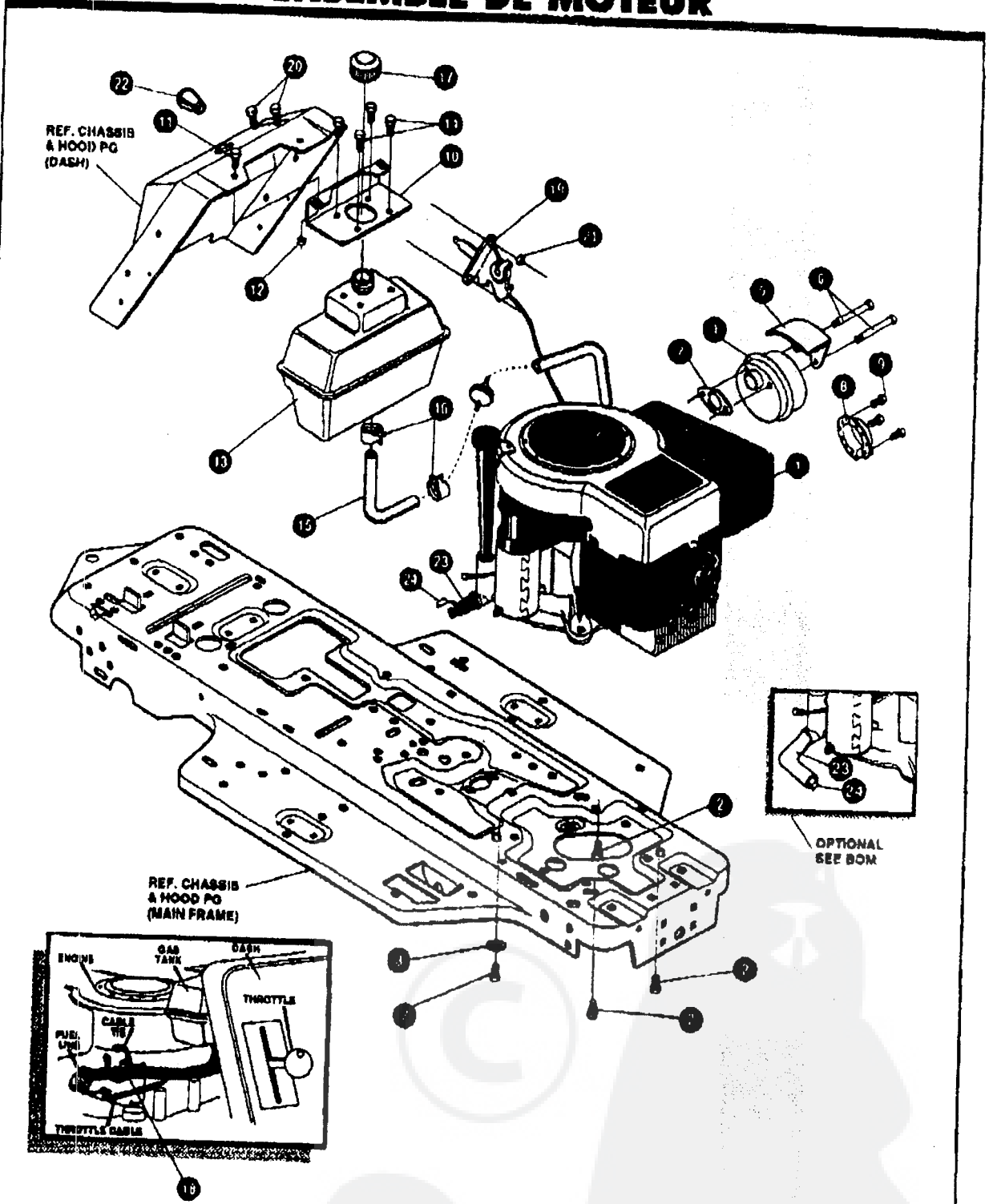
332340 B

# TRACTEUR TONDEUSE 38" MODÈLE F3554-060

KEY#	PART#	DESCRIPTION	QTY
1		TRANSAXLE, FOOTE, 4380-6	1
2	303109	PULLEY, 6.8 OD, V4L T/A	1
3	50795	KEY, HI-PRO, 806 .75 DIA X .187 WD	1
4	22053	RING, RETEX .58 X .035 TRU 5100-62	1
5	54758	BELT, V 4L, 82.00, SF, DRIVE	1
6	326815-853	BRACKET, TRANSAXLE	2
7	180077	SCREW, 5/16-18 X .75 HHC	4
8	1498	NUT, 5/16-18 REGHEXCTRLK	8
9	180091	SCREW, 5/16-18 X 2.50 HHC	4
10	120393	WASHER, FLAT .344 X .89 X .085	4
11	1498	NUT, 5/16-18 REGHEXCTRLK	4
12	323126	BRACKET, STABILIZER, BLACK	1
13	35498	SCREW, 5/16-18 X .75 WASHHTAP	1
14	120638	WASHER, HV8PTLK .328 X .80 X .09	1
15	180079	SCREW, 5/16-18 X 1.00 HHC	1
16	138485	WASHER, EXLK .320 X .81 X .03	1
17	1498	NUT, 5/16-18 REGHEXCTRLK	1
18	335218	SHIFT BRACKET, P830/4360	1
19	66256	SCREW, 1/4-20 X .75 NYLHHC	1
20	57157	WASHER, 760 X .250 8P-TRANSAXLE	1
21	331800	SHIFT LEVER (DANA)	1
22	137185	PIN, COTTER .125 DIA X 1.00 LONG	1
23	55614	KNOB, ROUND 1.50 DIA, BLACK	1
24	48896	BELT GUIDE	1
25	271184	NUT, 5/16-18 HEXKEPS	1
26	120393	WASHER, FLAT .344 X .69 X .065	2
27	1498	NUT, 5/16-18 REGHEXCTRLK	1
28	331838	ASSEMBLY, PEDAL, BRAKE, CLUTCH, SF	1
29	319678	PIN, CLEVIS .500 D X 4.87 LONG	1
30	331872	SPACER, SLEEVE .63 X .82 X 1.240	1
31	58180	PIN, HAIR .091 DIA X 1.62 LONG	1
32	48761	PAD, CLUTCH/BRAKE PEDAL	1
33	321959	IDLER ARM BRACKET, TRACTION, SF	1
34	328989	BOLT, .625 X .135 HHSH, 5/16-18	1
36	45602	WASHER, FLAT .333 X .87 X .119	1
37	1498	NUT, 5/16-18 REGHEXCTRLK	1
38	39659	RETAINER, BELT	1
39	35374	PULLEY, IDLER V4L, 3.08 X .82	1
40	45892	BOLT, 3/8-16 X 1.50 CARRSN	1
41	1499	NUT, 3/8-16 REGHXOTRLK	1
42	333175	CLUTCH ROD ASSEMBLY, .288 DIA 3.92	1
43	326780	SPRING, 3/8 OD X 2.18 X .085 TENSION	1
44	323127	BRACKET, BRAKE ROD, BLACK	1
45	20507	BOLT, .437 X .156 HHSH, 5/16-18	1
47	1498	NUT, 5/16-18 REGHEXCTRLK	1
48	323222	BRAKE ROD, RIDER BLACK	1
49	120393	WASHER, FLAT .344 X .89 X .085	1
50	121222	PIN, COTTER .090 DIA X .75 LONG	1
51	271184	NUT, 5/16-18 HEXKEPS	1
52	44108	NUT, 5/16-18 HWDFLCTRLK	1
53	327867	SPRING, 3/4 OD X 7.78 X .091 TENSION	1
54	35410	SPRING, .071 X .62 X 4.37	1
55		TIRE & RIM, 20 X 8.00-8	2
55-1	24167	VALVE STEM	
55-2	326362	RIM, WHEEL	
55-3	318684	TIRE, 20 X 8 X 8	
59	57479	SPACER, SLEEVE .75 X 1.25 X 1.32	2
60	52928	KEY, SQUARE .187 SQUARE X 2.25 LONG	2
61	642	WASHER, FLAT .755 X 1.31 X .075	4
62	42815	WASHER, FLAT .765 X 1.63 X .07	2
63	38625	RING, RETEX .67 X .05 TRU 6133-75	2
64	40394	HUB CAP, 1.600 ID X 7/8 LONG	2
65	5850	WASHER, FLAT .505 X .88 X .13	4
66	2968	WASHER, FLAT .504 X .75 X .059	4
68	327917	SCREW, 5/16-18X1 60HHCFT	4
69	73787	WASHER, FLAT .330 X .75 X .1793	4
70	180022	SCREW, 1/4-20 X 1.00 HHC	1
71	120380	WASHER, REGSPTLK 263 X .48 X .07	1
72	120375	NUT, 1/4-20 REGHEX	1

\* CONTACT YOUR NEAREST TRANSAXLE DEALER FOR PARTS & SERVICE  
 ^ ORDER INDIVIDUAL PARTS - ASSEMBLY NOT AVAILABLE

# ENSEMBLE DE MOTEUR



UTILISEZ DES PIÈCES D'ORIGINE POUR  
CONSERVER L'APPLICATION DE LA GARANTIE

TOUTES LES PIÈCES NON  
REFERÉES SONT  
INTERCHANGEABLES AVEC  
LEURS OPPOSÉES.

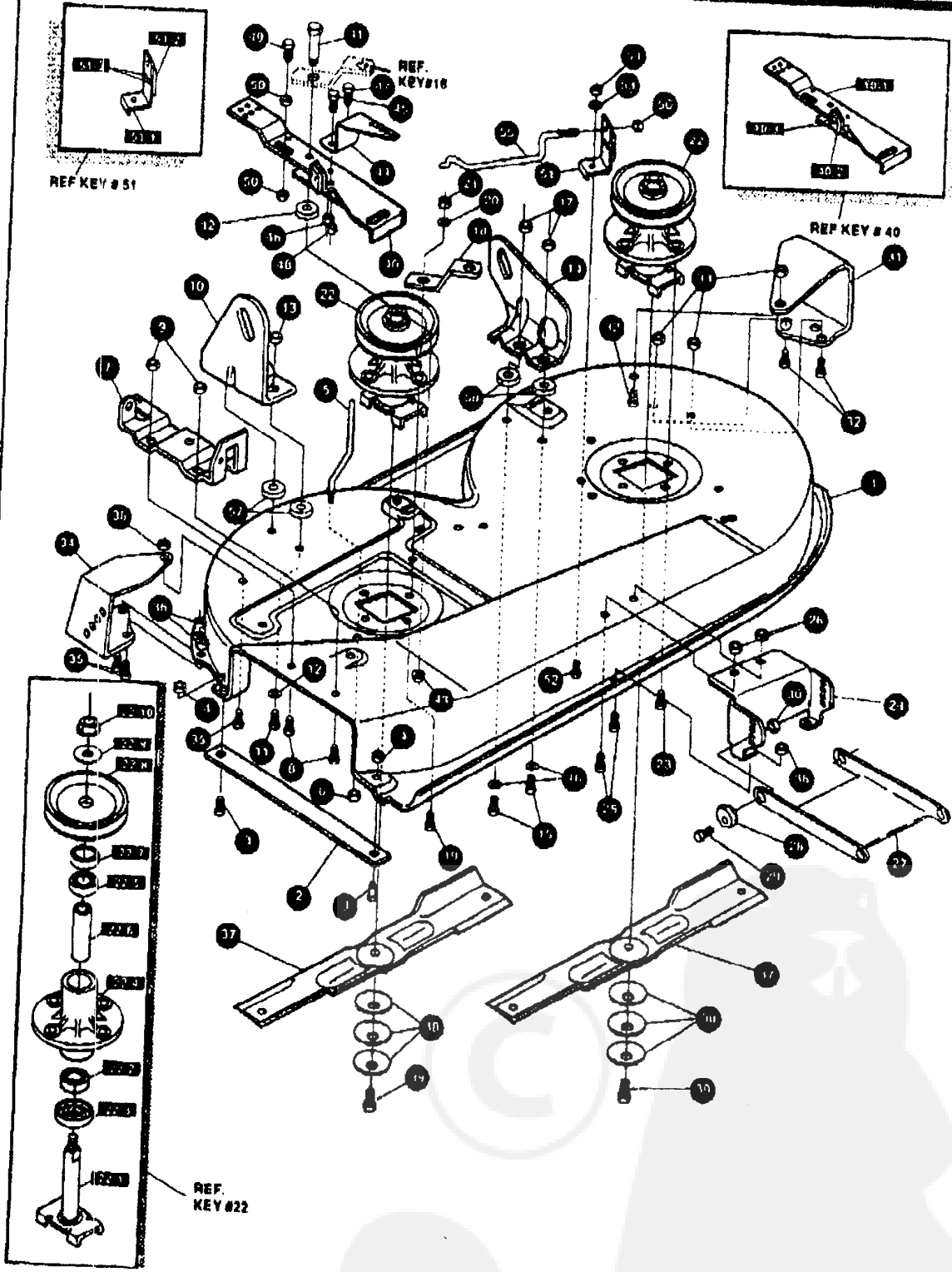
333014 B

**TRACTEUR TONDEUSE 38" MODÈLE F3554-060**

KEY#	PART#	DESCRIPTION	QTY
1		ENGINE, 12-12.5HP, B&S, IC DUAL .....	1
2	50947	CREW, 9/8-18 X 1.25 WAHTAP .....	4
3	138489	WASHER, EXLK .384 X .89 X .04 .....	1
4	57908	MUFFLER-DOMESTIC/EXPORT ROUND .....	1
5	54787	SHIELD, HEAT, FOR ROUND MUFFLER .....	1
6	54980	SCREW, 5/16-18 X 3.50 HHC .....	2
7	46708	GASKET, MUFFLER .....	1
8	323423	DEFLECTOR, MUFFLER PARTIAL .....	1
9	35287	SCREW, #8-32 X .38 HHWATAP .....	3
10	302814-853	BRACKET, GAS TANK .....	1
11	180020	SCREW, 1/4-20 X .75 HHC .....	2
12	50352	NUT, 1/4-20 WDFLLK, TOPLOCK .....	2
13	314989	TANK, FUEL 1 GALLON, CLEAR .....	1
14	300303	SCREW, .25 X .75 X .81 HHWA, PLASTITE .....	4
15	41007	TUBING, .25 X .50 X BULK GAS LINE .....	15.0
16	47345	CLAMP, HOSE SCREW TYPE .....	2
17	46704	CAP, GAS 1-1/2-7 THD, BLACK .....	1
18	57444	TIE, CABLE BLACK NYLON, 5.62 LONG .....	1
19	320031	THROTTLE CONTROL .....	1
20	274707	SCREW, 10-24 X .50 WAHMA .....	2
21	308459	NUT, #10-24 HXHDNYLK .....	2
22	50607	KNOB, ROUND THROTTLE, BLACK .....	1
23	325547	OIL DRAIN VALVE OR TUBE .....	1
24	327422	CAP OR PLUG FOR OIL DRAIN .....	1

\* SEE ENGINE MANUAL

# ENSEMBLE DE CARTER DE TONDEUSE



UTILISEZ DES PIÈCES D'ORIGINE POUR  
CONSERVER L'APPLICATION DE LA GARANTIE

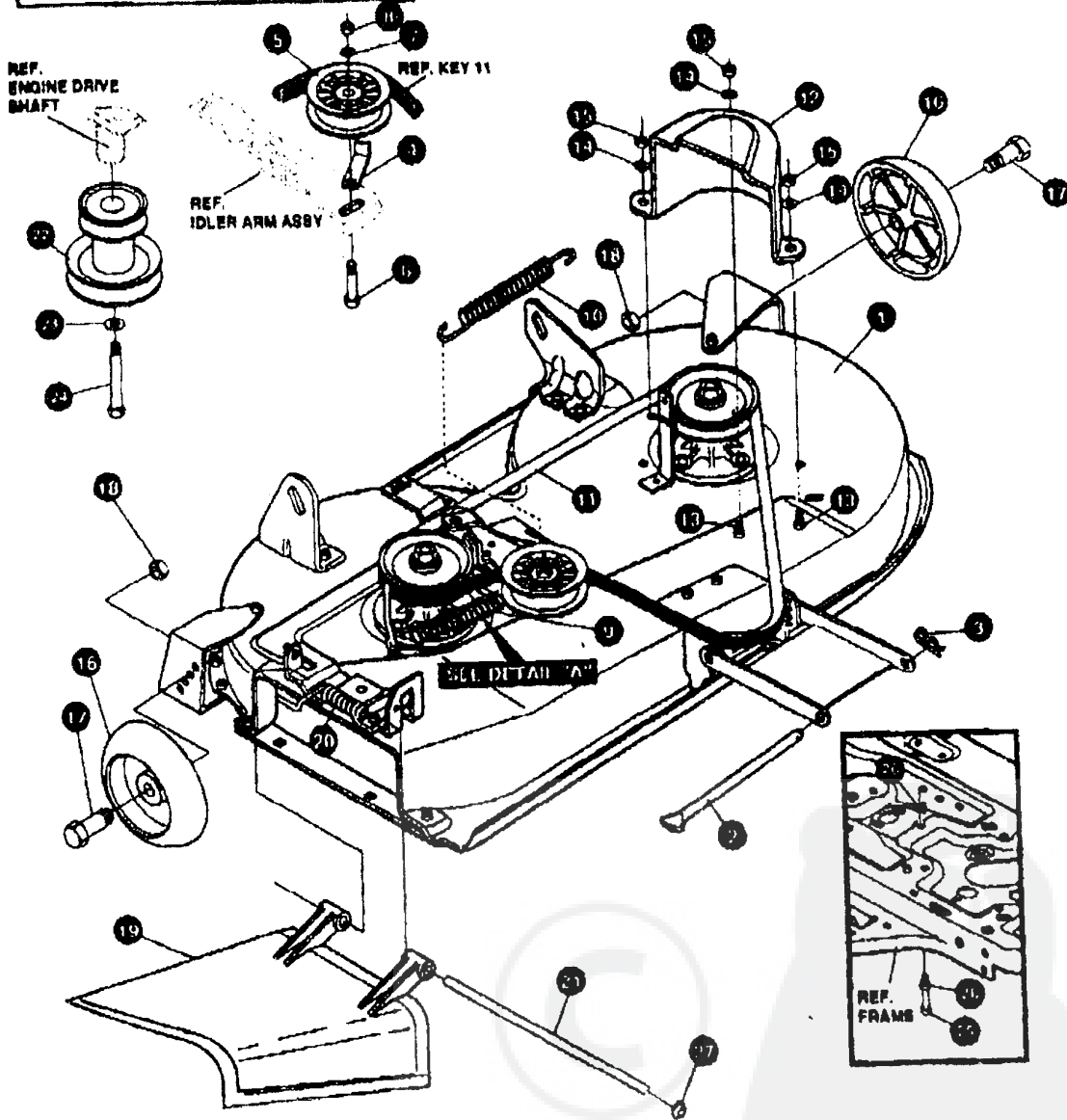
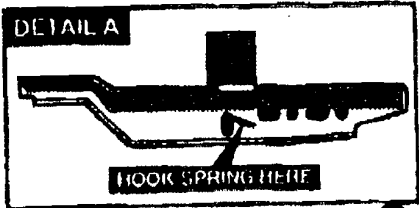
TOUTES LES PIÈCES NON  
REFEREES SONT  
INTERCHANGEABLES AVEC  
LEURS OPPOSEES.

333272 C

ID: 302 11  
**TRACTEUR TONDEUSE 38" MODELE F3554-060**

KEY#	PART#	DESCRIPTION	QTY
1	325108	38" DECK KIT	1
2	326296	BAR, SKID	1
3	126216	BOLT, 5/16-18 X .75 CARRLN	2
4	271184	NUT, 5/16-18 HEXKEPS	2
5	67318	GUIDE, BELT 5/16-18 THD	1
6	1498	NUT, 5/16-18 REGHEXCTRLK	1
7	313928	BRACKET, CHUTE	1
8	180073	SCREW, 5/16-18 X .50 HHC	2
9	1498	NUT, 5/16-18 REGHEXCTRLK	2
10	313929	BRACKET, RH, LIFT REAR	1
11	180081	SCREW, 5/16-18 X 1.25 HHC	2
12	120393	WASHER, FLAT .344 X .89 X .085	2
13	1498	NUT, 5/16-18 REGHEXCTRLK	2
14	310867	BRACKET, LH, LIFT REAR	1
15	180081	SCREW, 5/16-18 X 1.25 HHC	2
16	120393	WASHER, FLAT .344 X .89 X .085	2
17	1498	NUT, 5/16-18 REGHEXCTRLK	2
18	316302	BRACKET, IDLER SUPPORT	1
19	300346	SCREW, 5/16-18 X 1.38 WAHHTAP	1
20	120393	WASHER, FLAT .344 X .89 X .085	1
21	1498	NUT, 5/16-18 REGHEXCTRLK	1
22	56424	QUILL ASSEMBLY, 36/39/40/43	2
22-1	56425	SHAFT/SADDLE 36"	1
22-2	49582	BEARING, BALL 6203-2AA-C3 ARMORED	1
22-3	50816	DUST SHIELD	1
22-4	55547	QUILL CASTING (1048)	1
22-5	49562	BEARING, BALL 6203-2AA-C3 ARMORED	1
22-6	50818	SPACER, SLEEVE .600 X .88 X 3.797	1
22-7	51449	SPACER, SLEEVE .872 X .93 X .438 PM	1
22-8	313888	PULLEY, 26/36" QUILL V5L	1
22-9	68385	WASHER, SPECIAL QUILL	1
22-10	1282	NUT, 7/16-20 WDFLLK	1
23	35498	SCREW, 5/16-18 X .75 WAHHTAP	7
24	312528	SUPPORT, LIFT DECK FRONT	1
25	180077	SCREW, 5/16-18 X .75 HHC	4
26	1498	NUT, 5/16-18 REGHEXCTRLK	4
27	68305	BRACKET, LINK DECK FRONT	1
28	68247	NUT, ADJUST	2
29	180079	SCREW, 5/16-18 X 1.00 HHC	2
30	1498	NUT, 6/16-18 REGHEXCTRLK	2
31	312477	BRACKET, LH, WHEEL	1
32	180077	SCREW, 5/16-18 X .75 HHC	3
33	1498	NUT, 5/16-18 REGHEXCTRLK	3
34	900102	WHEEL BRACKET, RH	1
35	180077	SCREW, 5/16-18 X .75 HHC	3
36	1498	NUT, 5/16-18 REGHEXCTRLK	3
37	309089	BLADE, 19.89, LOW-LIFT	2
38	2483	WASHER, .39 ID X 1.25 D X .07 BELLVIL	6
39	39573	SCREW, 3/8-24 X 1.00 NYLHHC	2
40	300491	IDLER ARM ASSEMBLY	1
40-1	300490	IDLER ARM, 36, 38, 39, & 45 SD	1
40-2	308973	BRAKE PAD - HARD-NF343 (X-31)	1
40-3	41601	RIVET, OVSET .187 DIA X .60 LONG ST	2
41	300180	BOLT, .50 X 1.88 HHGH, 3/8-18	1
42	998416	WASHER, FLAT .391 X 1.00 X .125	1
43	45171	NUT, 3/8-16 HWDFL, WHIZ-LOCK	1
44	328249	BRACKET, EXTENSION IDLER	1
45	180077	SCREW, 5/16-18 X .75 HHC	1
46	1498	NUT, 5/16-18 REGHEXCTRLK	1
47	180020	SCREW, 1/4-20 X .75 HHC	1
48	1502	NUT, 1/4-20 REGHEXCTRLK	1
49	121954	SCREW, 1/4-20 X 2.00 HHC	1
50	271172	NUT, 1/4-20 REGHEXKEPS	2
51	303247	ASSEMBLY, BLADE BRAKE 36, 38, 45	1
50-1	309248	BRAKE ARM	1
50-2	308973	BRAKE PAD - HARD-NF343 (X-31)	1
50-3	135624	RIVET, TRSET .185 DIA X .41 LONG	2
52	180077	SCREW, 5/16-18 X .75 HHC	1
53	120393	WASHER, FLAT .344 X .66 X .085	1
54	1498	NUT, 5/16-18 REGHEXCTRLK	1
55	300316	ROD, BRAKE RELEASE, 14 7 39 DECK	1
56	1502	NUT, 1/4-20 REGHEXCTRLK	1
57	314702	SPACER, SLEEVE .344 X 1.00 X .500	2
58	314702	SPACER, SLEEVE .344 X 1.00 X .500	2

# ENSEMBLE DE CARTER DE TONDEUSE



UTILISEZ DES PIÈCES D'ORIGINE POUR  
CONSERVER L'APPLICATION DE LA GARANTIE

TOUTES LES PIÈCES NON  
REFEREES SONT  
INTERCHANGEABLES AVEC  
LEURS OPPOSEES.

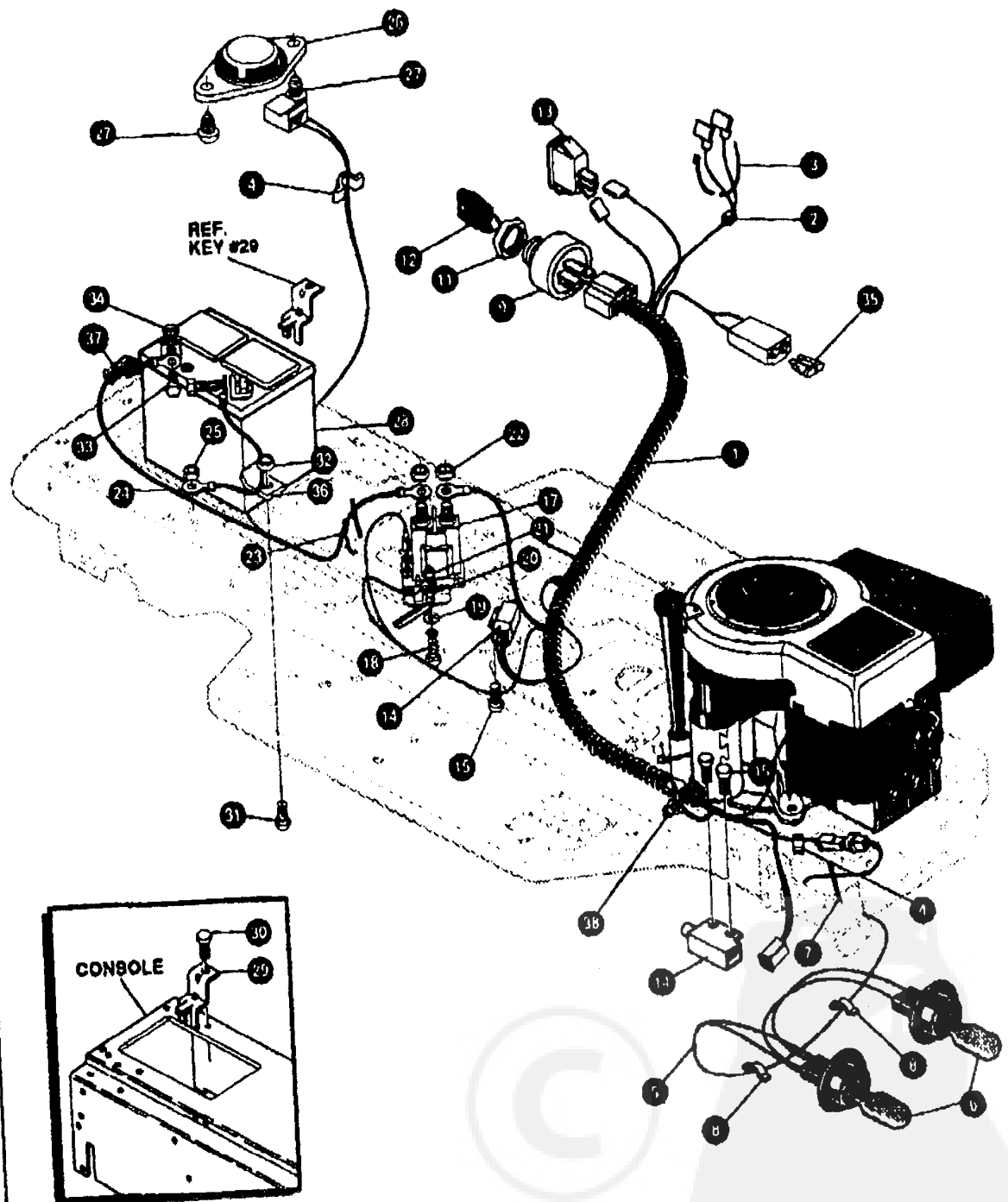
333274 B



# TRACTEUR TONDEUSE 38" MODÈLE F3554-060

KEY#	PART#	DESCRIPTION	QTY
1	328458	ASSEMBLY, DECK, SF, 38 SD/20 X 8-8	1
2	58306	ROD, DECK HITCH	1
3	8280	PIN, HAIR, .091 DIA X 1.88 LONG	1
4	1348	RETAINER, BELT	1
5	310328	PULLEY, IDLER 8FF 4.00 WIDE FL	1
6	57326	BOLT, 3/8-16 X 2.00 CARRSN	1
7	120382	WASHER, REGSPTLK 393 X .68 X .10	1
8	120377	NUT, 3/8-16 REGHX	1
9	322064	SPRING, 75 X 8.4 X .105 TENSION	1
10	328258	SPRING, 75 X 10.0 X .105 TENSION	1
11	300660	BELT, V 6L, 77.75 KEVLAR	1
12	328257	GUARD, BELT, LH, PLASTIC	1
13	180077	SCREW, 5/16-18 X .75 HHC	3
14	120393	WASHER, FLAT .344 X .69 X .085	3
15	1498	NUT, 5/16-18 REGHEXCTRLK	3
16	302811	GAUGE WHEEL, EURO 6.00 OD X 1.38 WD	2
17	23783	BOLT, .500 X 1.390 HH9H, 3/8-16	2
18	1499	NUT, 3/8-16 REGHXCTRLK	2
19	57818	CHUTE DEFLECTOR, 36°, 39°, 45°	1
20	314975	SPRING, TORSION CHUTE DEFLECTOR	1
21	334908	KIT FOR 57317 PIVOT ROD	1
22	328034	PULLEY, ENGINE VSL, 4.00 OFFSET	1
23	120389	WASHER, REGSPTLK 489 X .78 X .12	1
24	433148	SCREW, 7/16-20 X 4.25 HHC, BLACK	1
25	180128	SCREW, 3/8-16 X 1.75 HHC	1
26	1499	NUT, 3/8-16 REGHXCTRLK	2
27	332179	CAP, PUSH ON, FOR DIA .250 ROD	1

ID: **FAISCEAU ELECTRIQUE**



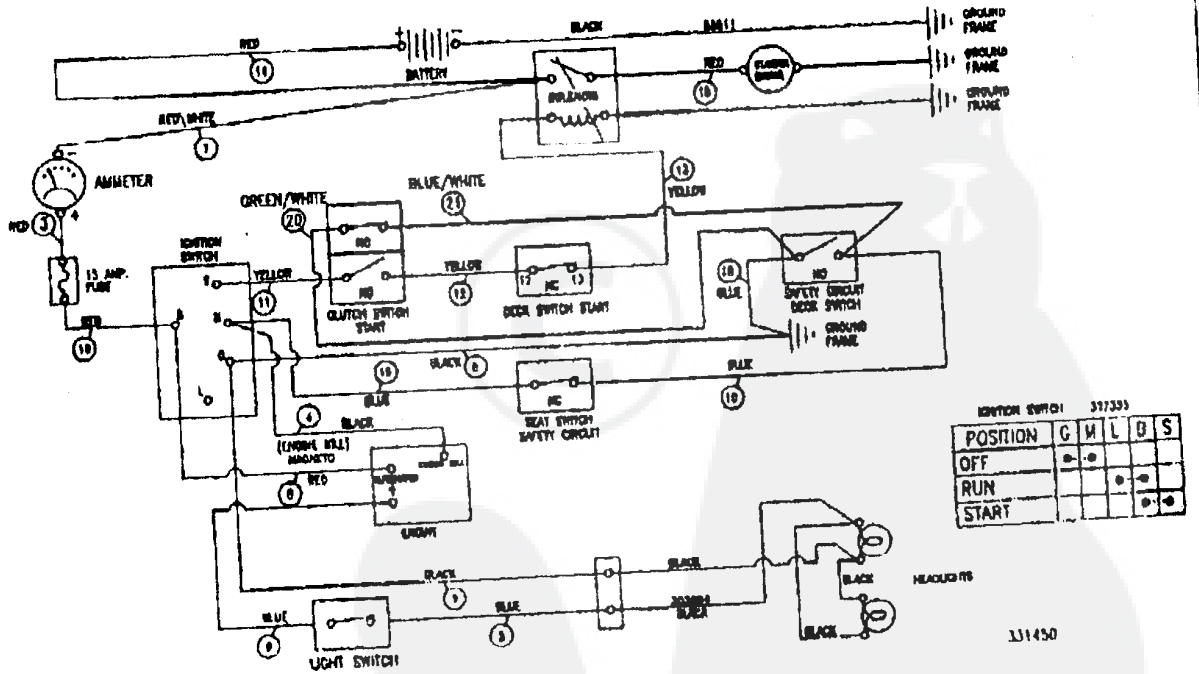
UTILISEZ DES PIÈCES D'ORIGINE POUR  
CONSERVER L'APPLICATION DE LA GARANTIE

TOUTES LES PIÈCES NON  
REFEREES SONT  
INTERCHANGEABLES AVEC  
LEURS OPPOSEES.

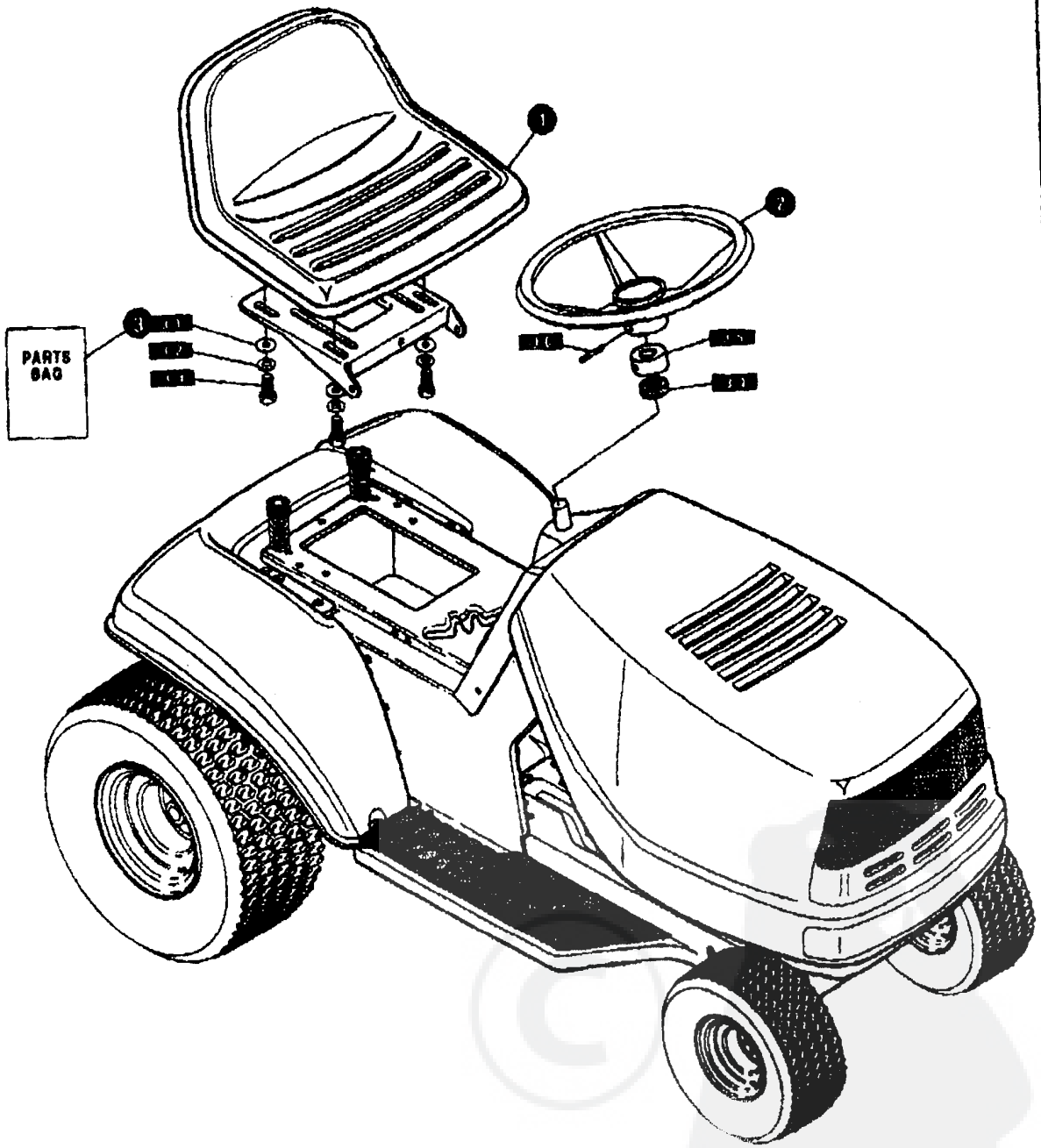
332009 13

# TRACTEUR TONDEUSE 38" MODÈLE F3554-060

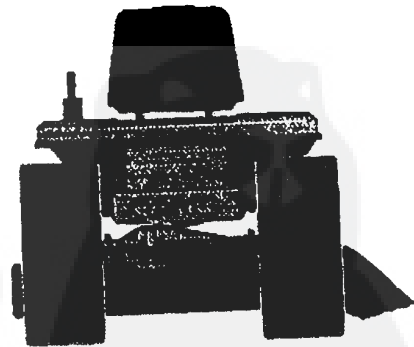
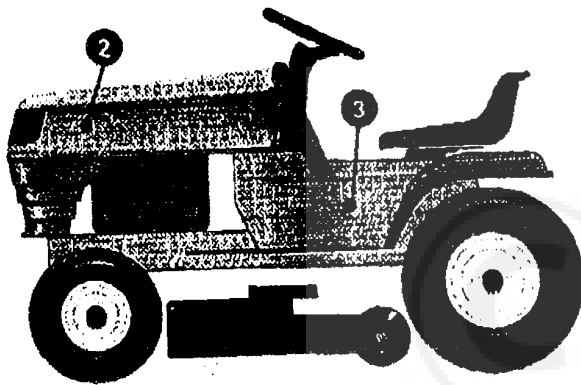
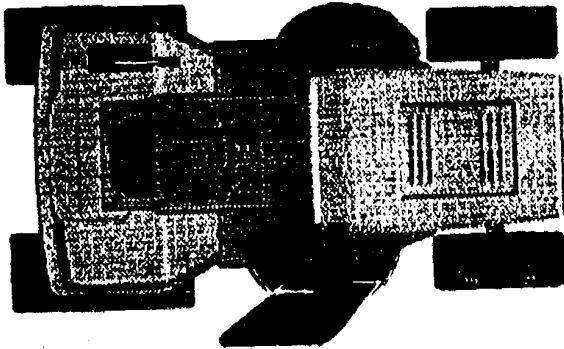
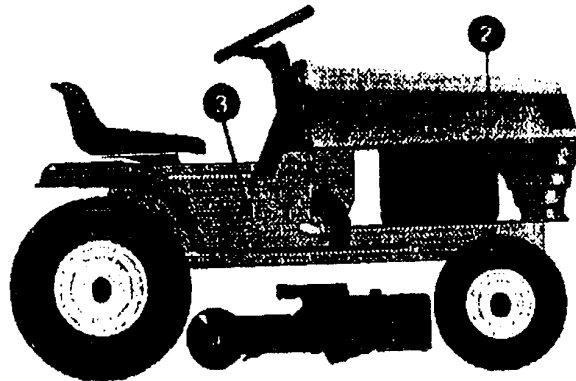
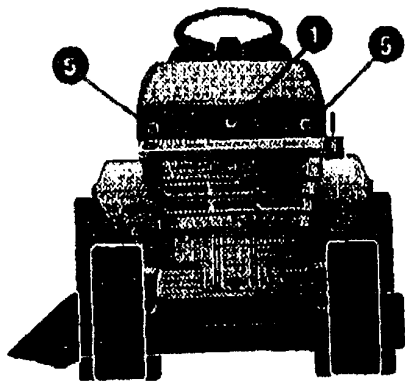
KEY#	PART#	DESCRIPTION	QTY
1	331450	WIRE HARNESS, SF. W/AMP	1
2	322298	SPLICER	1
3	57444	TIE, CABLE BLACK NYLON, 5.62 LONG	1
4	41482	PRESS CLIP, 1.380 LONG, .255 ID	2
5	303064	ASSEMBLY, LIGHT WIRE-1/4 TURN	1
6	52572	BULB, HEADLAMP	2
7	57444	TIE, CABLE BLACK NYLON, 5.62 LONG	1
8	41482	PRESS CLIP, 1.380 LONG, .255 ID	2
9	327355	SWITCH-IGN.(AFTER FIRE) 3 POSN	1
11	327352	NUT, 5/8-SACME DELTA FOR BOOT	1
12	327350	KEY, IGNITION	1
13	300334	LIGHT SWITCH, ON/OFF PANEL MOUNT	1
14	57476	SWITCH, SCREW MOUNT, DP, NC, NO, BLK	2
15	300302	SCREW, #10 X .50 HHTAPPST, BLACK	4
17	53716	SOLENOID	1
18	187745	SCREW, 1/4-20 X .75 HXSEMMA	2
19	1084	WASHER, FLAT .291 X 1.00 X .063	1
20	1502	NUT, 1/4-20 REGHEXCTRLK	2
21	271172	NUT, 1/4-20 REGHEXKEPS	1
22	271187	NUT, 6/16-24 HKEPB	2
23	57444	TIE, CABLE BLACK NYLON, 5.62 LONG	1
24	55511	WIRE, GROUND, 12.5"	1
25	271184	NUT, 5/16-18 HEXKEPS	1
26	57547	SWITCH, SEAT	1
27	160505	SCREW, 1/4-20 X .38 PHPNHMA	2
28	92693	BATTERY, 12V	1
29	329175	BATTERY BRACKET	1
30	995348	SCREW, 1/4-20 X .60 WANHTAP	1
31	187746	SCREW, 1/4-20 X .75 HXSEMMA	1
32	1502	NUT, 1/4-20 REGHEXCTRLK	2
33	180020	SCREW, 1/4-20 X .75 HHC	2
34	271172	NUT, 1/4-20 REGHEXKEPS	1
35	302031	FUSE SPADE TYPE 32V 15A	1
36	9149	BRACKET, CABLE RETAINER	1
37	308201	INSULATOR, BATTERY BOOT EURO	1
38	124818	NUT, 1/4-20 REGHXJAM	1



# ASSEMBLAGE DE CHALAND



10:  
**TRACTEUR TONDEUSE 38" MODÈLE F3554-060**

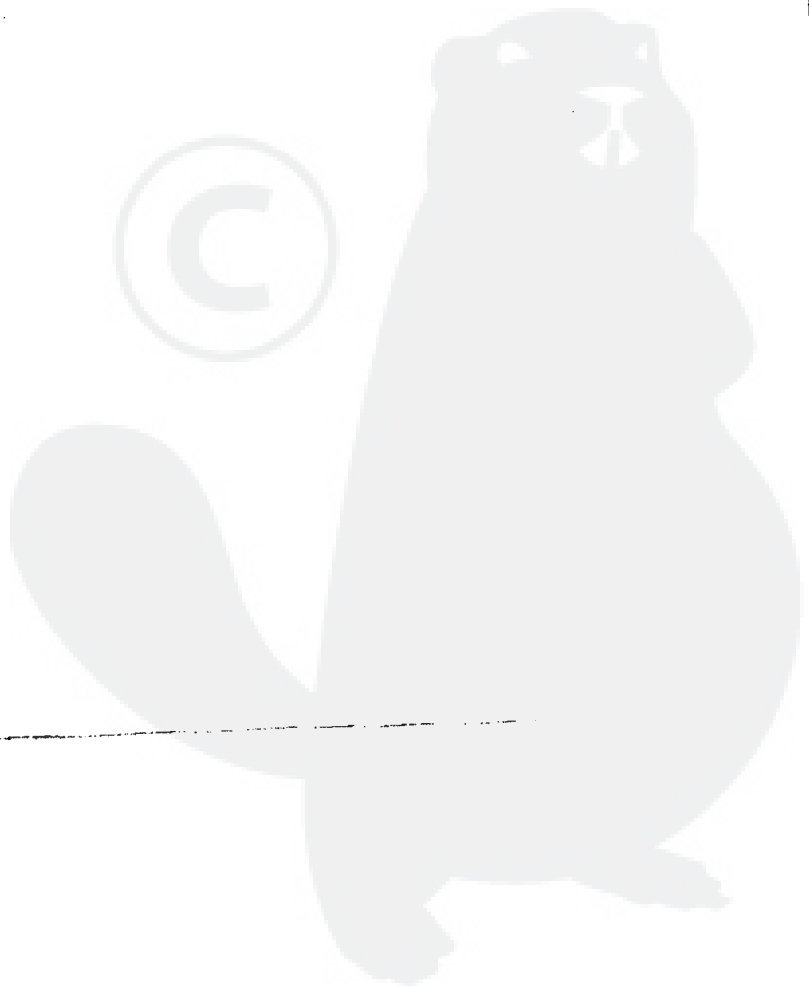


KEY#	PART#	DESCRIPTION	QTY
1	307732	DECAL, LENS CENTER, BMOKED .....	1
2	307085	NAMEPLATE, TURBOGREEN, CHROME .....	2
3	402369	NAMEPLATE, 12.6/98 (CHROME), SF .....	2
5	304879	FOIL, REFLECTOR LENS- BULB .....	2

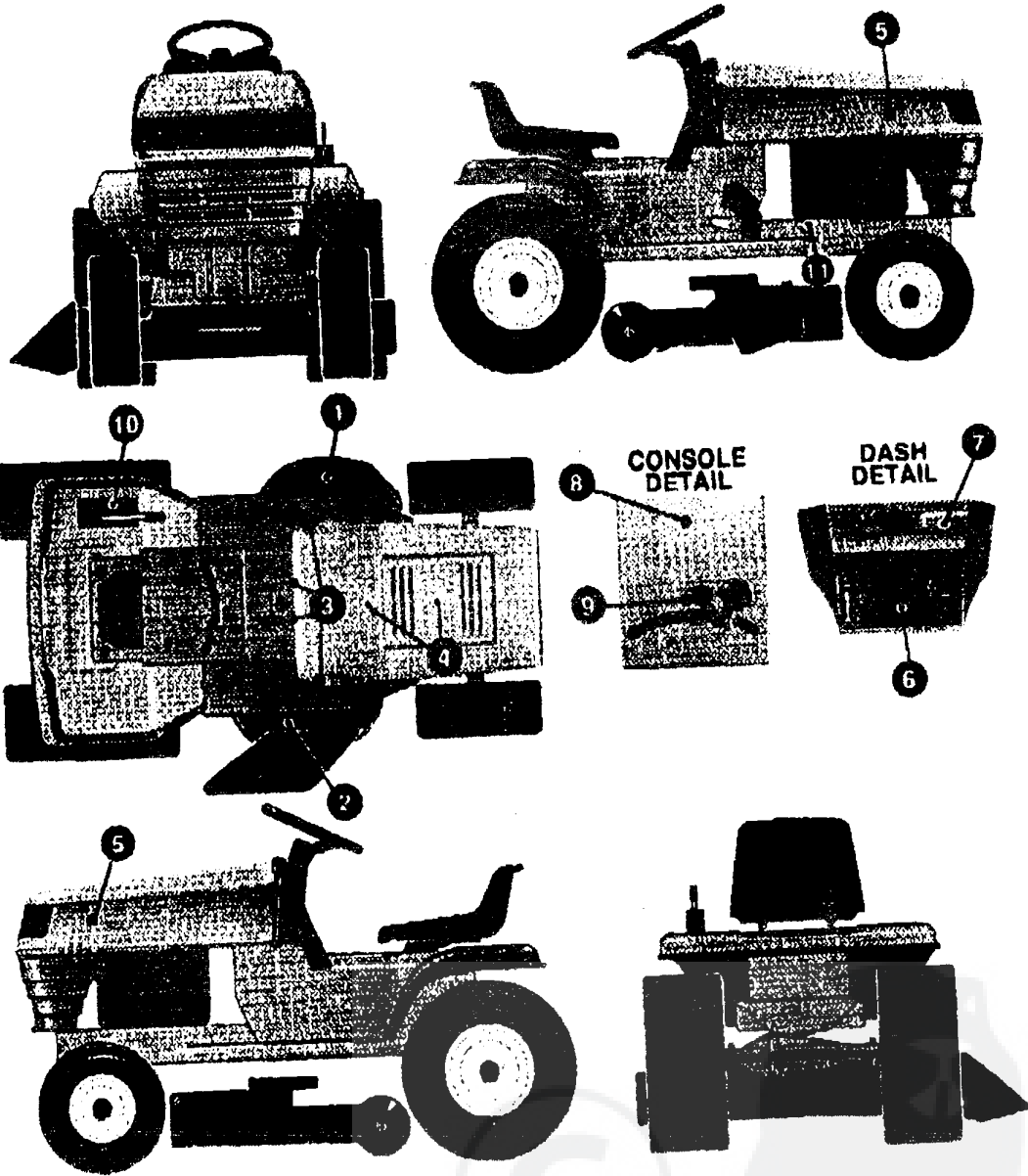
334933 B

# TRACTEUR TONDEUSE 38" MODÈLE F3554-060

KEY#	PART#	DESCRIPTION	QTY
1	67455	SEAT, MICHIGAN GEN, W/SWITCH HOLE .....	1
2	314874	STEERING WHEEL .....	1
3	331424	PARTS BAG, ASSEMBLY SEAT/STEER .....	1
3-1	120993	WASHER, FLAT .344 X .89 X .065 .....	4
3-2	120638	WASHER, HVSP TLK .328 X .60 X .09 .....	4
3-3	180077	SCREW, 5/16-18 X .75 HHC .....	4
3-4	331322	COVER, STEERING SHAFT .....	1
3-5	301413	SPACER, STEERING SHAFT .....	1
3-6	456378	PIN, SPRING .250 DIA X 2.00 LONG .....	1



# DECALQUES



KEY#	PART#	DESCRIPTION	QTY
1	402700	DECAL. CAUTION, DECK, LH	1
2	402701	DECAL. CAUTION, DECK, RH	1
3	318197	PAD. ADHESIVE 1.00 X 1.50 X .12	4
4	305602	FOAM, HOOD, 4X15	2
5	305603	PAD, 18 X 6 FOAM HOOD	2
6	320717	DECAL. DASH, PLAIN, EXPORT G P.	1
7	327610	DECAL. PTO ENGAGEMENT, ISO EXPORT	1
8	402747	DECAL. CONSOLE, SYMBOLIC SF	1
9	301104	DECAL. CONSOLE, TOP SHIFT 5-SP	1
10	402214	DECAL. HEIGHT ADJUST	1
11	402702	DECAL. BRAKE/CLUTCH	1

334932 B