



Illustrated Parts List

Model Series

217800

TYPE NUMBER
0001 through 4150.

TABLE OF CONTENTS

Air Cleaner	7
Alternator	9
Blower Housing	7
Camshaft	3
Carburetor	5
Controls	9
Crankshaft	3
Cylinder	2
Cylinder Head	4
Electric Starter	9
Engine Sump	2
Exhaust System	8
Flywheel	8
Fuel System	6
Gasket Set - Engine	4
Gasket Set - Valve	4
Governor Spring	9
Ignition	9
Intake Manifold	4
Kit - Carburetor Overhaul	5
Lubrication	2
Operator's Manual	2
Piston, Rings, Connecting Rod	3
Rewind Starter	8
Valves	4
Warning Label	2

Not for reproduction



PRINTED IN U.S.A.

COPYRIGHT by BRIGGS & STRATTON CORPORATION
All rights reserved. No part of this material may be reproduced or transmitted, in any form or by any means, electronic or mechanical, including photocopying, recording or by any information storage and retrieval system, without permission in writing from Briggs & Stratton Corporation.

1319 WARNING LABEL



REQUIRED when replacing parts with warning labels affixed.

1319A WARNING LABEL

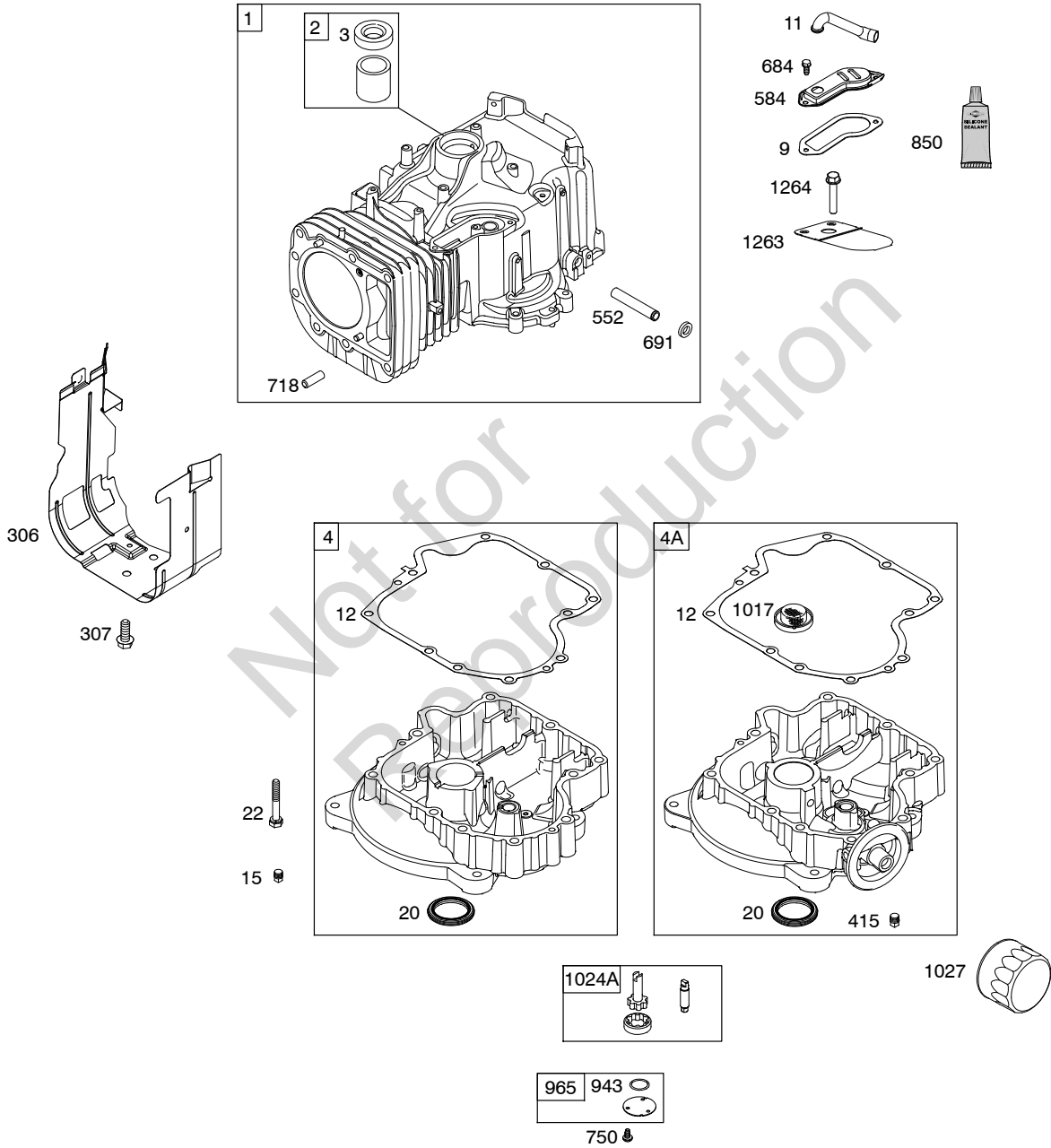


REQUIRED when replacing parts with warning labels affixed.

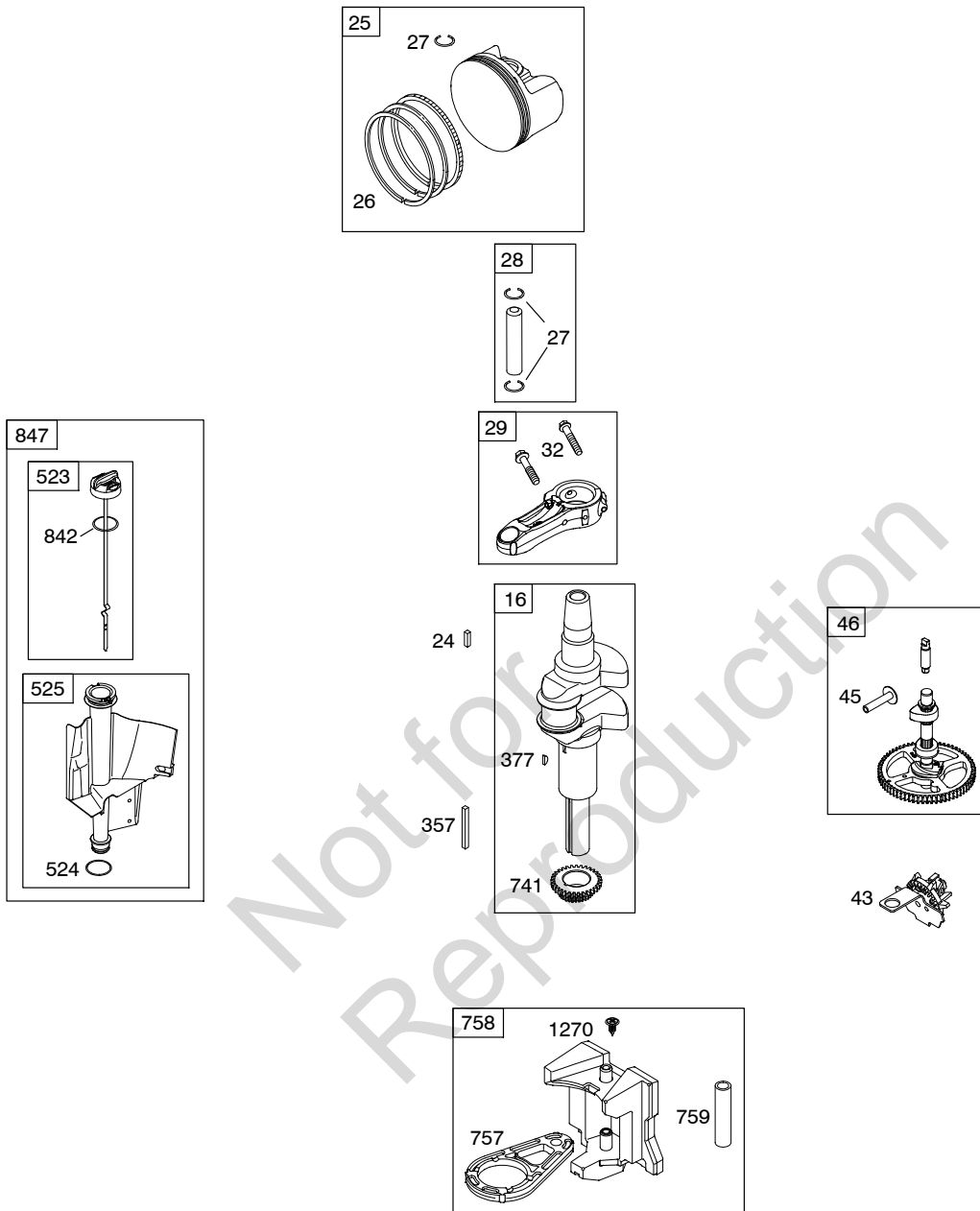
1058 OPERATOR'S MANUAL

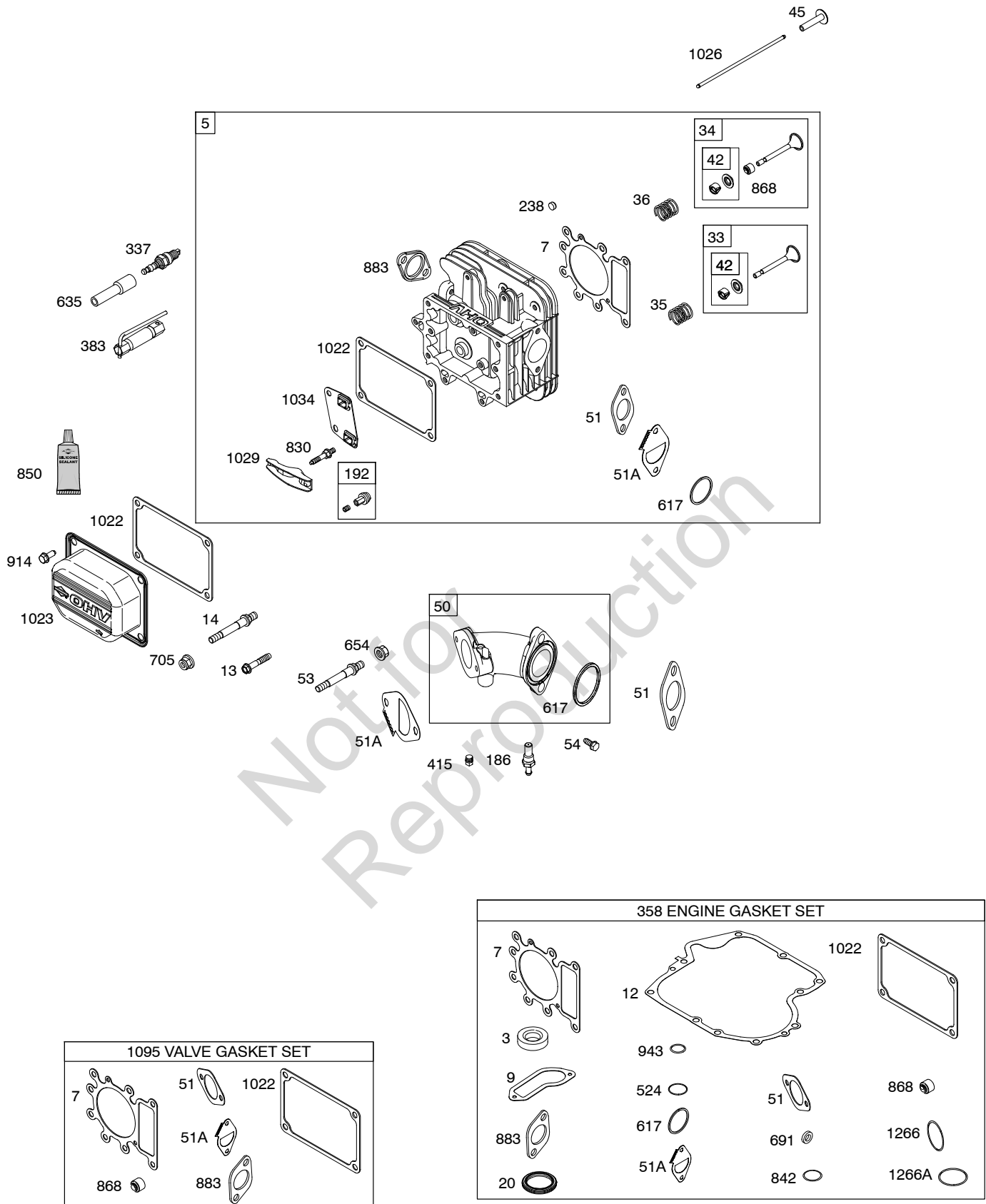


1036 EMISSIONS LABEL

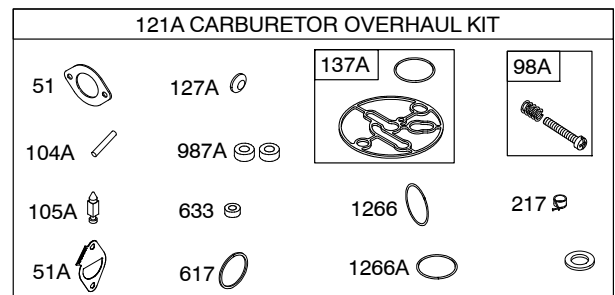
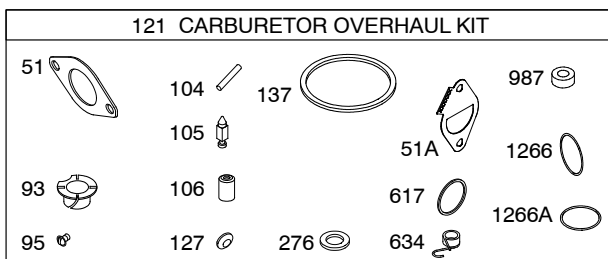
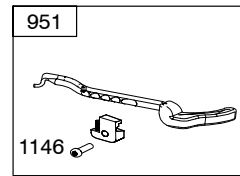
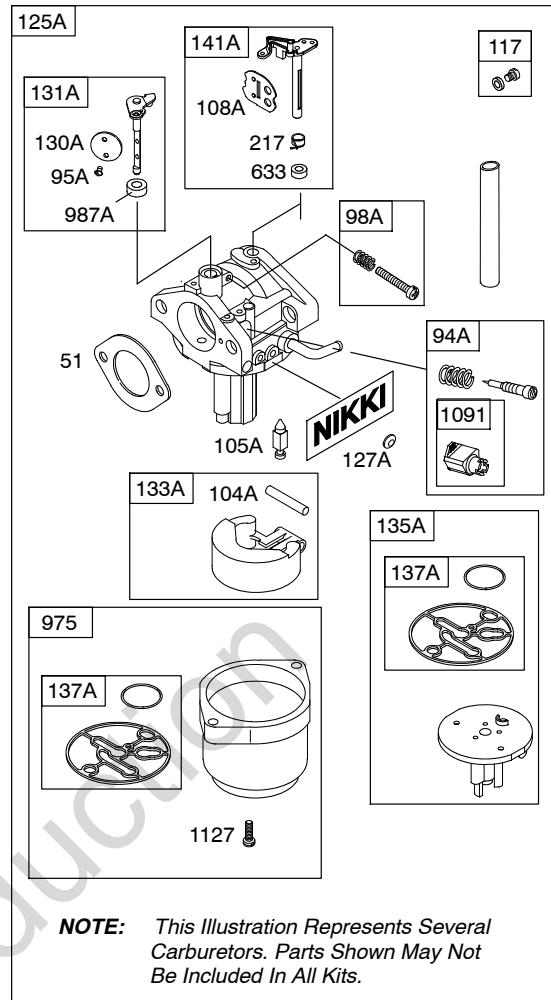
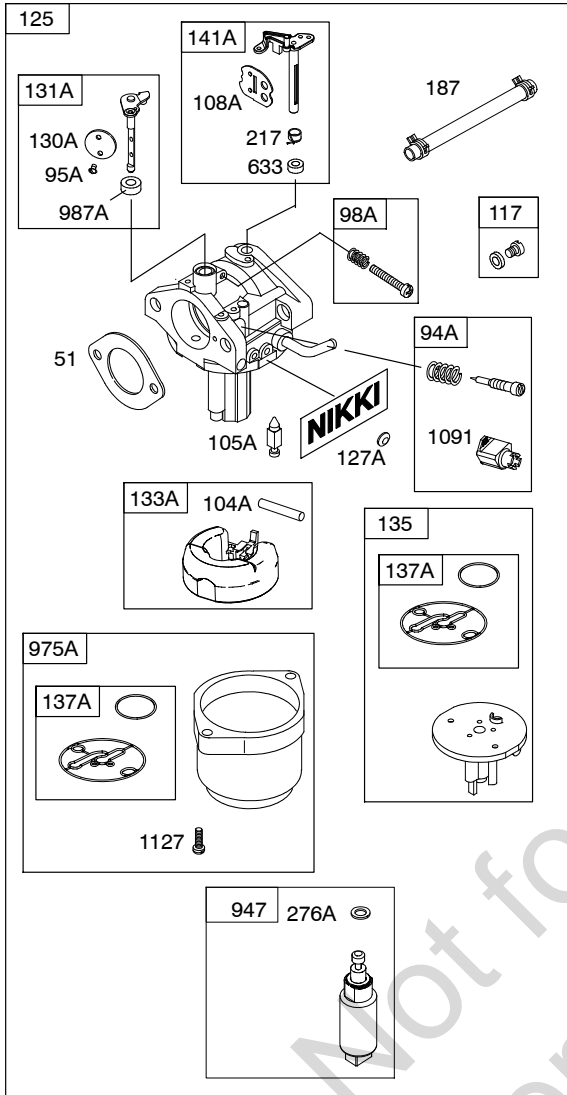


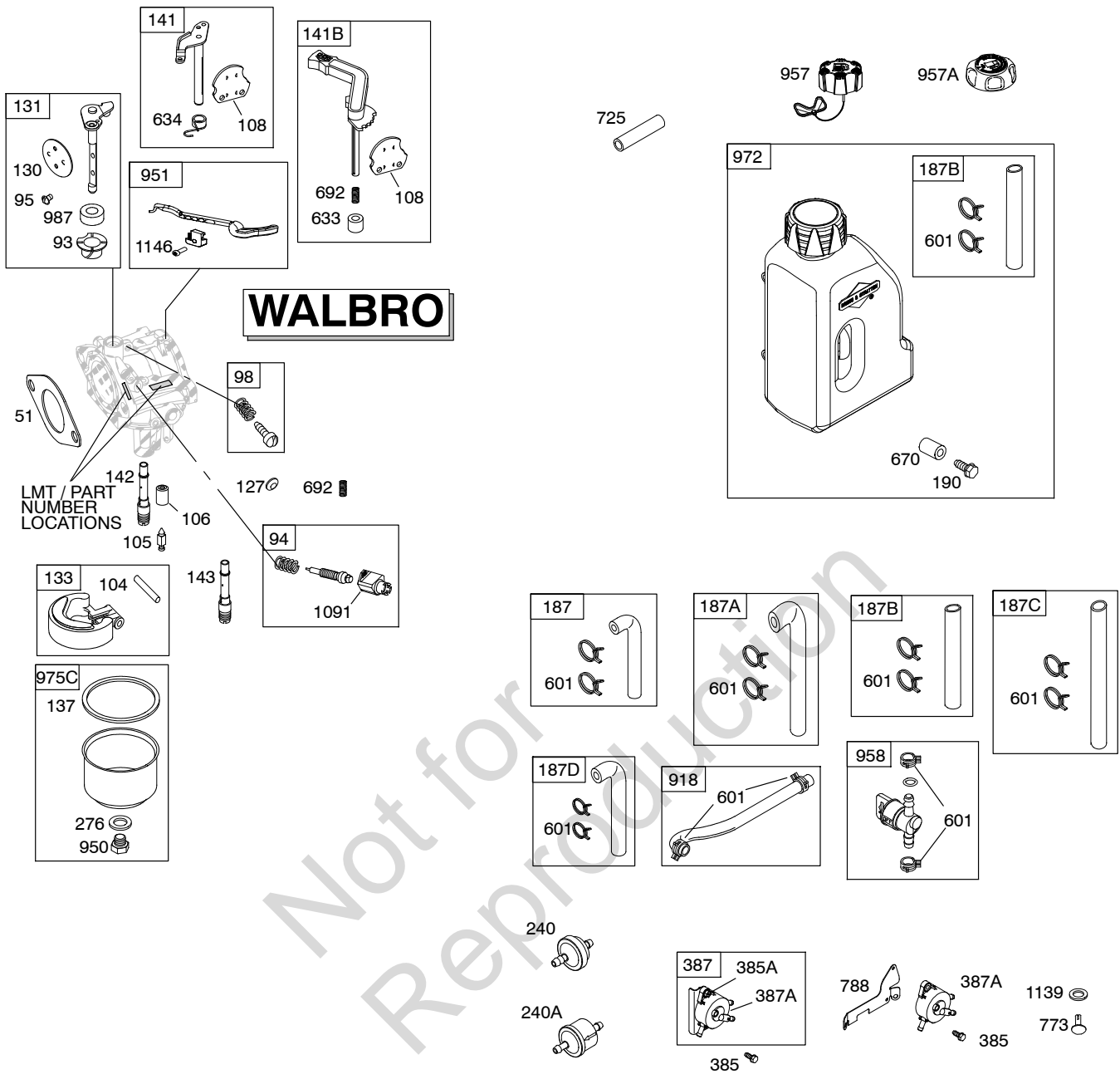
Illustrations cover a range of engines. Parts shown without corresponding text may not be used on your specific engine.
 5498-2 Assemblies include all parts shown in frames. 12/19/2014



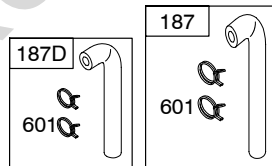
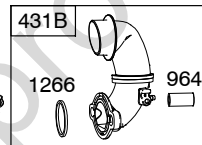
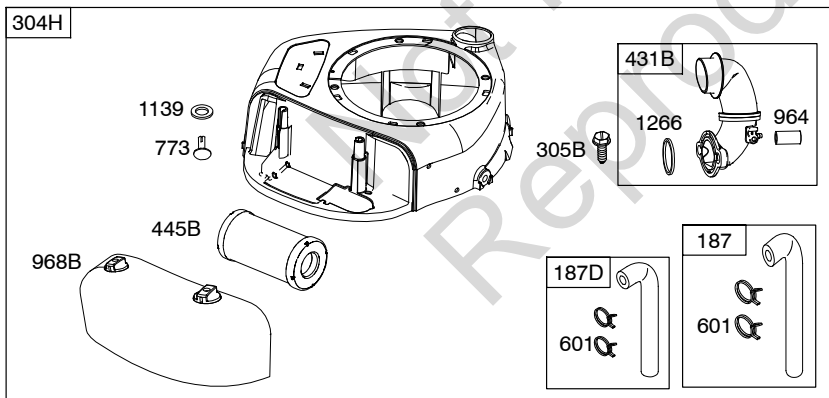
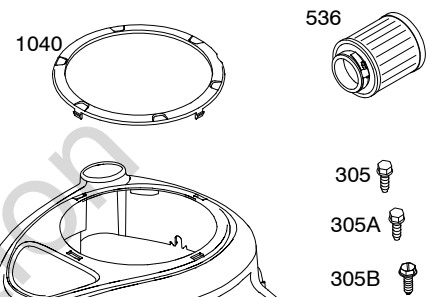
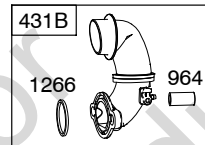
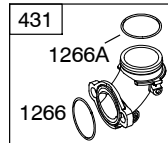
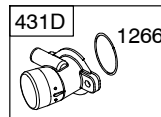
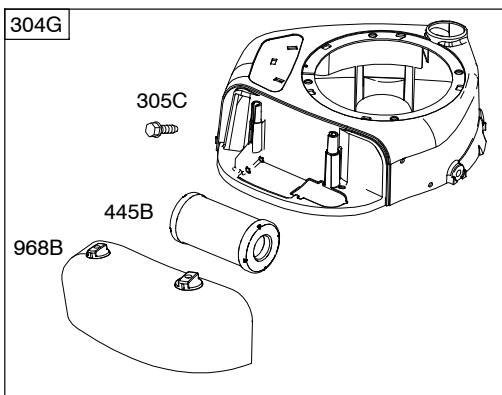
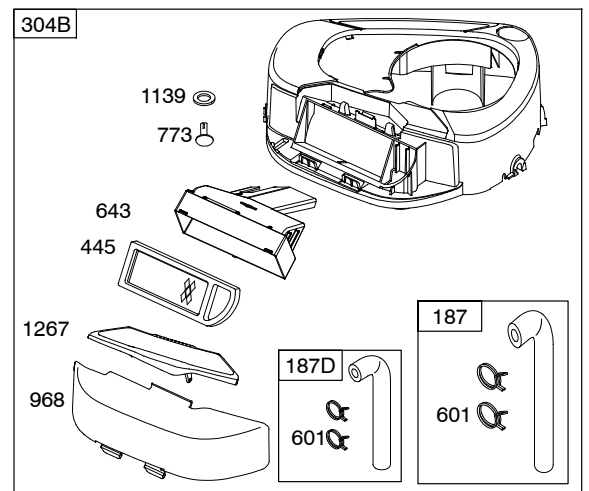
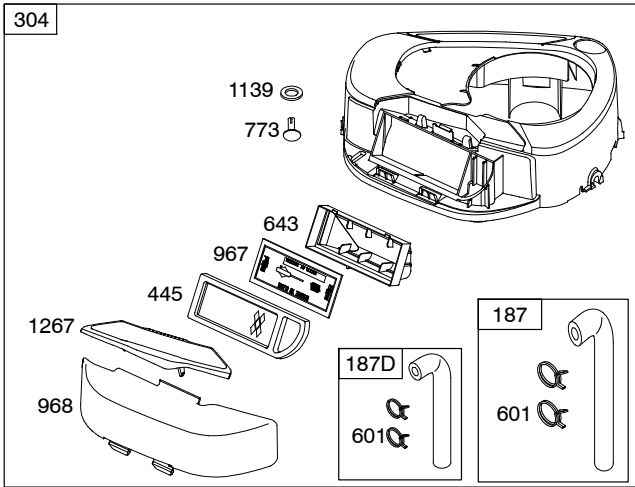


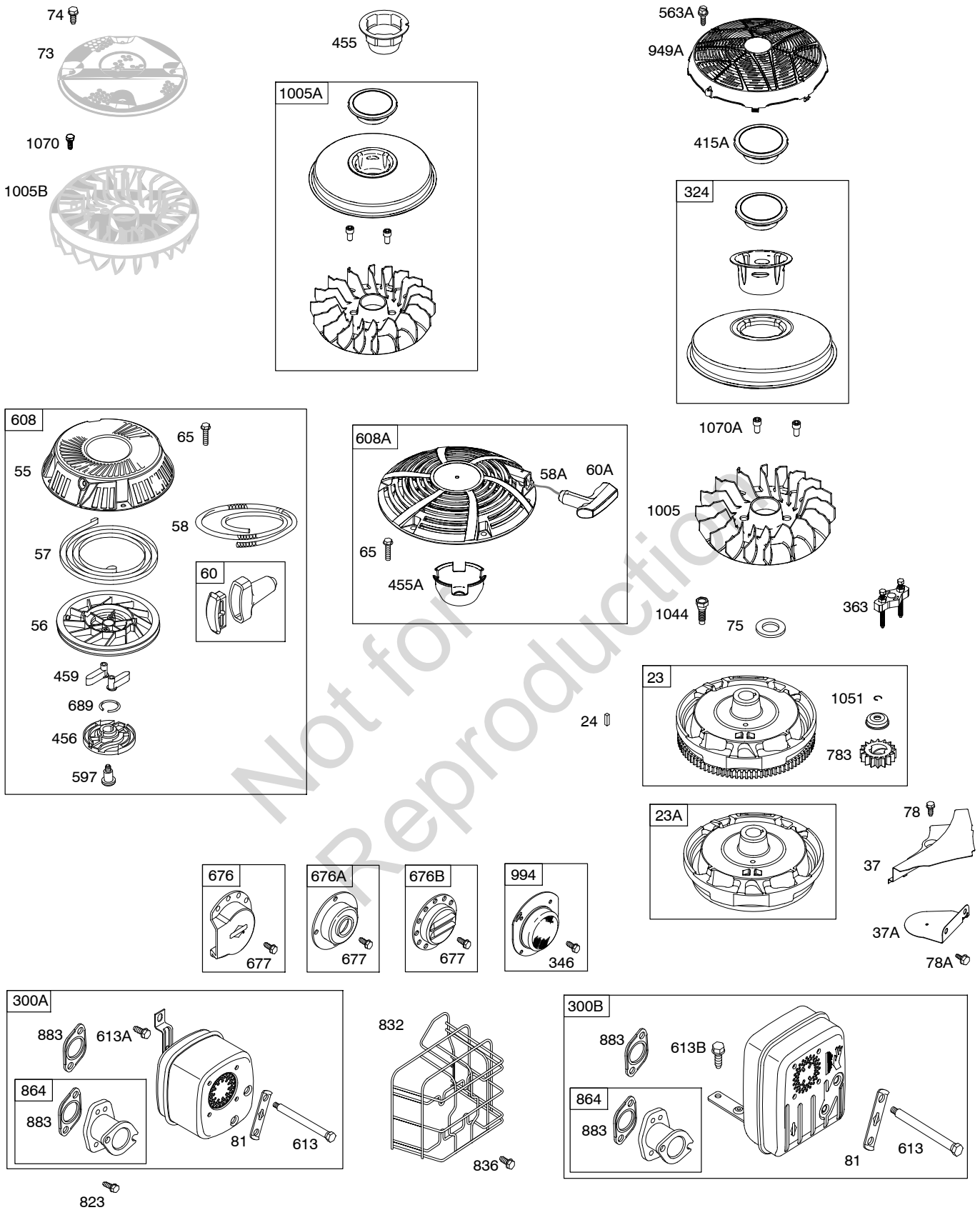
Illustrations cover a range of engines. Parts shown without corresponding text may not be used on your specific engine.
 5498-4 Assemblies include all parts shown in frames. 12/19/2014





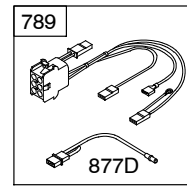
Illustrations cover a range of engines. Parts shown without corresponding text may not be used on your specific engine.
 5498-6 Assemblies include all parts shown in frames. 12/19/2014





Illustrations cover a range of engines. Parts shown without corresponding text may not be used on your specific engine.
5498-8 Assemblies include all parts shown in frames. **12/19/2014**

DC ONLY		DUAL CIRCUIT		5/9 AMP	
474A	1059	474B	1059	474C	1059
877A		877		877B	

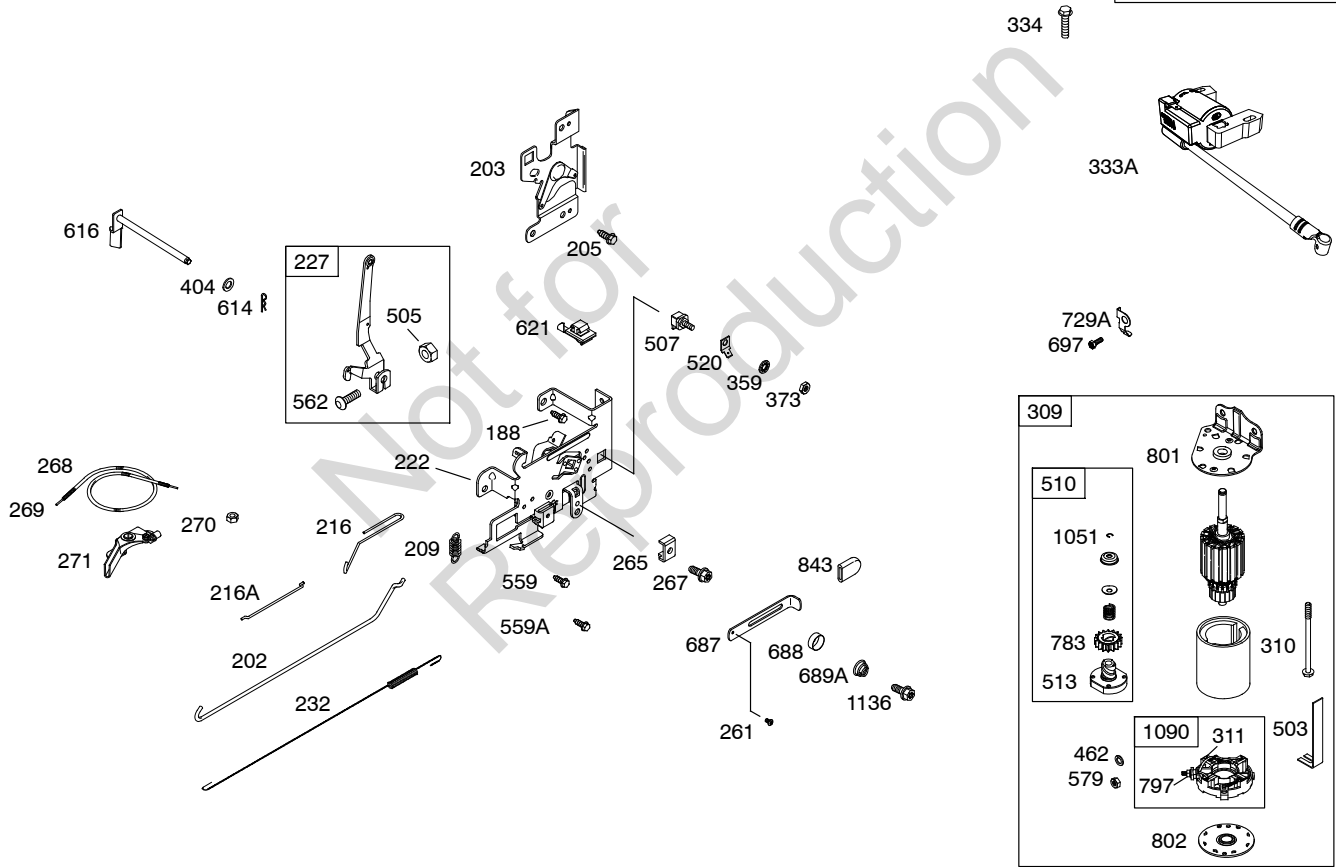
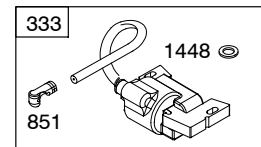


- 729
- 521
- 1054
- 356
- 356A
- 356B

- 578
- 878
- 501A
- 526A
- 1119

NOTE: All stators use a No. 1119 mounting screw.

NOTE: The proper flywheel part number and/or the alternator magnet size will determine the alternator type or output. See repair instruction manual for additional information.



217800

REF. NO.	PART NO.	DESCRIPTION	REF. NO.	PART NO.	DESCRIPTION	REF. NO.	PART NO.	DESCRIPTION
1	697377	Cylinder Assembly	14	790560	Stud (Cylinder Head) Used on Type No(s). 0114, 0115, 0117, 0118, 0119, 0121, 0143, 0145, 0146, 0150, 2111.			697390 Crankshaft (Used Before Code Date 12071700). Used on Type No(s). 0110, 0113, 0114, 0115, 0118, 0119, 0121, 0123, 0124, 0125, 0129, 0130, 0134, 0135, 0136, 0137, 0138, 0144, 0146, 0148, 0152, 0153, 0155, 0210, 0393, 0439, 0665, 0940, 1176, 1209, 3113, 3130, 3144, 3209, 3439.
2	797673	Kit-Bushing/Seal (Magneto Side)						
3	391086s	Seal-Oil (Magneto Side)						
4	697106	Sump-Engine (Used After Code Date 05100200). ----- Note ----- 795940 Sump-Engine (Used Before Code Date 05100300). Must Use Kit 795940, Includes Sump And Counterweight.	15	690946	Plug-Oil Drain (Square Head)			
4A	697188	Sump-Engine Used on Type No(s). 0146. ----- Note ----- 697188 Sump-Engine (Used After Code Date 05100200). Used on Type No(s). 0111. 795957 Sump-Engine (Used Before Code Date 05100300). Used on Type No(s). 0111. Must Use Kit 795957, Includes Sump And Counterweight.	16	591949	Crankshaft (Used After Code Date 12071600). Used on Type No(s). 0111, 0117, 0142, 0143, 0145, 0147, 0381, 0382, 0426, 0542, 0734, 0945, 0967, 1537, 1538, 1568, 2111, 2299, 2390, 2391, 3147, 3391, 3734, 4131, 4145. ----- Note ----- 796146 Crankshaft (Used Before Code Date 12071700). Used on Type No(s). 0111, 0117, 0142, 0143, 0145, 0147, 0381, 0382, 0426, 0542, 0734, 0945, 1537, 1538, 1568, 2111, 2299, 2390, 2391, 3147, 3391, 3734, 4131, 4145.			591952 Crankshaft Used on Type No(s). 0001. 591952 Crankshaft (Used After Code Date 12071600). Used on Type No(s). 0150, 4150. 797508 Crankshaft (Used Before Code Date 12071700). Used on Type No(s). 0150, 4150. 591951 Crankshaft (Used After Code Date 12071600). Used on Type No(s). 0127. 797021 Crankshaft (Used After Code Date 08121300 and Before Code Date 12071700). Used on Type No(s). 0127. 792907 Crankshaft (Used Before Code Date 08121400). Used on Type No(s). 0127.
5	796183	Head-Cylinder						
7	273280s	Gasket-Cylinder Head						
9	697109	Gasket-Breather (Used Before Code Date 07071900). (After Date Code Use Liquid Sealant Reference 850)			591953 Crankshaft Used on Type No(s). 0984. 591953 Crankshaft (Used After Code Date 12071600). Used on Type No(s). 0110, 0113, 0114, 0115, 0118, 0119, 0121, 0123, 0124, 0125, 0129, 0130, 0134, 0135, 0136, 0137, 0138, 0144, 0146, 0148, 0152, 0153, 0155, 0210, 0393, 0439, 0665, 0940, 1176, 1209, 3113, 3130, 3144, 3209, 3439.			
11	794683	Tube-Breather						
12	697110	Gasket-Crankcase (.015" Thick) (Standard)						
13	690360	Screw (Cylinder Head)						
						20	795387	Seal-Oil (PTO Side)
						22	692125	Screw (Crankcase Cover/Sump)

Illustrations cover a range of engines. Parts shown without corresponding text may not be used on your specific engine.

REF. NO.	PART NO.	DESCRIPTION	REF. NO.	PART NO.	DESCRIPTION	REF. NO.	PART NO.	DESCRIPTION	
23	591761	Flywheel (Used After Code Date 12071600). Used on Type No(s). 0119, 0125, 0127, 0129, 0136, 0137. ----- Note ----- 693557 Flywheel (Used Before Code Date 12071700). Used on Type No(s). 0119, 0125, 0127, 0129, 0136, 0137. 591759 Flywheel Used on Type No(s). 0001, 0984. 591759 Flywheel (Used After Code Date 12071600). Used on Type No(s). 0111, 0118, 0142, 0144, 0146, 0147, 0148, 0150, 0153, 0381, 0382, 0393, 0426, 0439, 0542, 0665, 0734, 0940, 0945, 0967, 1176, 1209, 1537, 1538, 1568, 2299, 2390, 2391, 3144, 3147, 3209, 3391, 3439, 3734, 4150. 698281 Flywheel (Used Before Code Date 12071700). Used on Type No(s). 0111, 0118, 0142, 0144, 0146, 0147, 0148, 0150, 0153, 0381, 0382, 0393, 0426, 0439, 0542, 0665, 0734, 0940, 0945, 0967, 1176, 1209, 1537, 1538, 1568, 2299, 2390, 2391, 3144, 3147, 3209, 3391, 3439, 3734, 4150. 591758 Flywheel (Used After Code Date 12071600). Used on Type No(s). 0123, 0124, 0152, 0155.			698282 Flywheel (Used Before Code Date 12071700). Used on Type No(s). 0123, 0124, 0152, 0155. 591760 Flywheel (Used After Code Date 12071600). Used on Type No(s). 0135. 693556 Flywheel (Used Before Code Date 12071700). Used on Type No(s). 0135.				25 797009 Piston Assembly (Standard) Used on Type No(s). 0001, 0111, 0117, 0127, 0142, 0143, 0147, 0150, 0381, 0382, 0426, 0542, 0734, 0945, 0967, 1537, 1538, 1568, 2111, 2299, 2390, 2391, 3147, 3391, 3734, 4131, 4150. 797010 Piston Assembly (.020" Oversize) Used on Type No(s). 0001, 0111, 0117, 0127, 0142, 0143, 0147, 0150, 0381, 0382, 0426, 0542, 0734, 0945, 0967, 1537, 1538, 1568, 2111, 2299, 2390, 2391, 3147, 3391, 3734, 4131, 4150. 792307 Piston Assembly (Standard) Used on Type No(s). 0110, 0113, 0114, 0115, 0118, 0119, 0121, 0123, 0124, 0125, 0129, 0130, 0134, 0135, 0136, 0137, 0138, 0144, 0145, 0146, 0148, 0152, 0153, 0155, 0210, 0393, 0439, 0665, 0940, 0984, 1176, 1209, 3113, 3130, 3184, 3209, 3439, 4145.
			23A	591950	Flywheel (Used After Code Date 12071600). Used on Type No(s). 0110, 0113, 0114, 0115, 0117, 0121, 0130, 0134, 0138, 0143, 0145, 0210, 2111, 3113, 3130, 4131, 4145. ----- Note ----- 693555 Flywheel (Used Before Code Date 12071700). Used on Type No(s). 0110, 0113, 0114, 0115, 0117, 0121, 0130, 0134, 0138, 0143, 0145, 0210, 3113, 3130, 4131, 4145. 698283 Flywheel (Used Before Code Date 12071700). Used on Type No(s). 2111.				
			24	591757	Key-Flywheel (Used After Code Date 12071600). ----- Note ----- 796335 Key-Flywheel (Used Before Code Date 12071700).				

Illustrations cover a range of engines. Parts shown without corresponding text may not be used on your specific engine.

217800

REF. NO.	PART NO.	DESCRIPTION	REF. NO.	PART NO.	DESCRIPTION	REF. NO.	PART NO.	DESCRIPTION
		792728 Piston Assembly (.020" Oversize) Used on Type No(s). 0110, 0113, 0114, 0115, 0118, 0119, 0121, 0123, 0124, 0125, 0129, 0130, 0134, 0135, 0136, 0137, 0138, 0144, 0145, 0146, 0148, 0152, 0153, 0155, 0210, 0393, 0439, 0665, 0940, 0984, 1176, 1209, 3113, 3130, 3144, 3209, 3439, 4145.			797012 Ring Set (.020" Oversize) Used on Type No(s). 0001, 0150, 0734, 0945, 0967, 1537, 1538, 1568, 2111, 2299, 2390, 2391, 3147, 3391, 3734, 4131, 4150.			792643 Ring Set (.020" Oversize) Used on Type No(s). 0110, 0113, 0114, 0115, 0118, 0119, 0121, 0123, 0124, 0125, 0129, 0130, 0134, 0135, 0136, 0137, 0138, 0144, 0145, 0146, 0148, 0152, 0153, 0155, 0210, 0393, 0439, 0665, 0940, 0984, 1176, 1209, 3113, 3130, 3144, 3209, 3439, 4145.
26	797011	Ring Set (Standard) Used on Type No(s). 0001, 0150, 0734, 0945, 0967, 1537, 1538, 1568, 2111, 2299, 2390, 2391, 3147, 3391, 3734, 4131, 4150. ----- Note ----- 797011 Ring Set (Standard) (Used After Code Date 09041500). Used on Type No(s). 0111, 0117, 0127, 0142, 0143, 0147, 0381, 0382, 0426, 0542. 792306 Ring Set (Standard) (Used Before Code Date 09041600 and After Code Date 08090100). Used on Type No(s). 0111, 0117, 0127, 0142, 0143, 0147, 0381, 0382, 0426, 0542. 698375 Ring Set (Standard) (Used Before Code Date 08090200). Used on Type No(s). 0111, 0117, 0127, 0142, 0143, 0147, 0381, 0382, 0426, 0542.			797012 Ring Set (.020" Oversize) (Used After Code Date 09041500). Used on Type No(s). 0111, 0117, 0127, 0142, 0143, 0147, 0381, 0382, 0426, 0542. 697120 Ring Set (.020" Oversize) (Used Before Code Date 09041600). Used on Type No(s). 0111, 0117, 0127, 0142, 0143, 0147, 0381, 0382, 0426, 0542. 792306 Ring Set (Standard) Used on Type No(s). 0110, 0113, 0114, 0115, 0118, 0119, 0121, 0123, 0124, 0125, 0129, 0130, 0134, 0135, 0136, 0137, 0138, 0144, 0145, 0146, 0148, 0152, 0153, 0155, 0210, 0393, 0439, 0665, 0940, 0984, 1176, 1209, 3113, 3130, 3144, 3209, 3439, 4145.	27	698469	Lock-Piston Pin (Used After Code Date 02100300). ----- Note ----- 698138 Lock-Piston Pin (Used Before Code Date 02100400).
						28	697099	Pin-Piston ----- Note ----- 797013 Pin-Piston Used on Type No(s). 0001, 0150, 0734, 0945, 0967, 1537, 1538, 1568, 2111, 2299, 2390, 2391, 3147, 3391, 3734, 4131, 4150. 797013 Pin-Piston (Used After Code Date 09041500). Used on Type No(s). 0111, 0117, 0127, 0142, 0143, 0147, 0381, 0382, 0393, 0426, 0542. 697099 Pin-Piston (Used Before Code Date 09041600). Used on Type No(s). 0111, 0117, 0127, 0142, 0143, 0147, 0381, 0382, 0393, 0426, 0542.
						29	791633	Rod-Connecting (Standard)
						32	791118	Screw (Connecting Rod)
						33	792868	Valve-Exhaust (Chrome)

Illustrations cover a range of engines. Parts shown without corresponding text may not be used on your specific engine.

REF. NO.	PART NO.	DESCRIPTION	REF. NO.	PART NO.	DESCRIPTION	REF. NO.	PART NO.	DESCRIPTION		
34	791935	Valve-Intake	57	695131	Spring-Rewind Starter (Used Before Code Date 12082700).	78A	690364	Screw (Flywheel Guard) Used on Type No(s).		
35	691279	Spring-Valve (Intake)	58	695132	Rope-Starter (Used Before Code Date 12082700).			0110, 0113, 0114, 0115, 0117, 0121, 0130, 0134, 0138, 0143, 0145, 0210, 2111, 3113, 3130, 4131, 4145.		
36	691279	Spring-Valve (Exhaust)	58A	697316	Rope-Starter (Used After Code Date 12082600).	81	691178	Lock-Muffler Screw		
37	697352	Guard-Flywheel	60	490652	Grip-Starter Rope	93	690602	Bushing-Throttle Shaft		
37A	697626	Guard-Flywheel Used on Type No(s). 0110, 0113, 0114, 0115, 0117, 0121, 0130, 0134, 0138, 0143, 0145, 0210, 2111, 3113, 3130, 4131, 4145.	60A	281434s	Grip-Starter Rope	94	794176	Kit-Idle Mixture (Walbro)		
42	499586	Keeper-Valve	65	690940	Screw (Rewind Starter) (Used After Code Date 12082600).	94A	796310	Kit-Idle Mixture (Nikki)		
43	691968	Slinger-Governor/Oil			----- Note -----	95	691636	Screw (Throttle Valve) (Walbro)		
45	690564	Tappet-Valve			690837 Screw (Rewind Starter) (Used After Code Date 07040800 and Before Code Date 12082700).	95A	690718	Screw (Throttle Valve)		
46	793880	Camshaft			697725 (Rewind Starter) (Used Before Code Date 07040900).	98	495800	Kit-Idle Speed (Walbro)		
50	592845	Manifold-Intake			Screen-Rotating (Used Before Code Date 07040900). (No Longer Available. See Reference 1005A For Service Flywheel Fan)	98A	695408	Kit-Idle Speed (Nikki)		
51	692137	Gasket-Intake	73		74	697897	Screw (Rotating Screen) (Used Before Code Date 07040900).	104	690525	Pin-Float Hinge (Walbro)
51A	796081	Gasket-Intake			75	690582	Washer (Flywheel)	104A	694918	Pin-Float Hinge (Nikki)
53	591260	Stud (Carburetor) (Used After Code Date 11120100). ----- Note ----- 690227 Stud (Carburetor) (Used Before Code Date 11120200).			78	691693	Screw (Flywheel Guard)	105	231855s	Valve-Float Needle (Walbro)
54	691148	Screw (Intake Manifold)						105A	696136	Valve-Float Needle (Nikki)
55	695130	Housing-Rewind Starter (Used Before Code Date 12082700).						106	690577	Seat-Inlet (Walbro)(Gravity Feed) ----- Note ----- 691780 Seat-Inlet (Walbro)(Pump Feed)
56	695129	Pulley-Starter (Used Before Code Date 12082700).						108	691227	Valve-Choke (Walbro)
								108A	698773	Valve-Choke (Nikki)

Illustrations cover a range of engines. Parts shown without corresponding text may not be used on your specific engine.

217800

REF. NO.	PART NO.	DESCRIPTION	REF. NO.	PART NO.	DESCRIPTION	REF. NO.	PART NO.	DESCRIPTION			
117	591936	<p>Jet-Main (Standard)(Carburetor 794456, 794457, 799244, 799245) Used on Type No(s). 0001, 0110, 0123, 0124, 0130, 0134, 0135, 0136, 0137, 0148, 0150, 0152, 0153, 0155, 0210, 0734, 0940, 0945, 0967, 0984, 1176, 1537, 1538, 1568, 2111, 2299, 2390, 2391, 3113, 3130, 3144, 3147, 3209, 3391, 3439, 3734, 4131, 4145, 4150.</p> <p>----- Note ----- 796079 Jet-Main (Standard)(Carburetor 794456, 794457, 799244, 799245) (Used After Code Date 08121400). Used on Type No(s). 0111, 0114, 0115, 0117, 0118, 0119, 0121, 0143, 0145, 0146.</p> <p>796079 Jet-Main (Standard)(Carburetor 794456, 794457, 799244, 799245) (Used After Code Date 08110500). Used on Type No(s). 0113, 0125, 0138, 0142, 0144, 0147, 0381, 0382, 0393, 0426, 0439, 0542, 0665, 1209.</p> <p>796079 Jet-Main (Standard)(Carburetor 794456, 794457, 799244, 799245) (Used After Code Date 08042700). Used on Type No(s). 0127, 0129.</p>									
					<p>794352 Jet-Main (Standard)(Carburetor 793362) (Used Before Code Date 08121500 and After Code Date 07122500). Used on Type No(s). 0111, 0114, 0115, 0117, 0118, 0119, 0121, 0143, 0145, 0146.</p> <p>794352 Jet-Main (Standard)(Carburetor 793362) (Used Before Code Date 08110600 and After Code Date 07122500). Used on Type No(s). 0113, 0125, 0138, 0142, 0144, 0147, 0381, 0382, 0393, 0426, 0439, 0542, 0665, 1209.</p> <p>794352 Jet-Main (Standard)(Carburetor 793362) (Used Before Code Date 08042800). Used on Type No(s). 0129.</p> <p>699897 Jet-Main (Standard)(Carburetor 698944 and 698945) (Used Before Code Date 07122600). Used on Type No(s). 0111, 0113, 0114, 0115, 0117, 0118, 0119, 0121, 0125, 0138, 0142, 0143, 0144, 0145, 0381, 0382, 0393, 0426, 0439, 0542.</p>						
								<p>118 698788 Jet-Main (Standard)(Carburetor 794456, 794457, 799244, 799245) Used on Type No(s). 0001, 0110, 0123, 0124, 0130, 0134, 0135, 0136, 0137, 0148, 0150, 0152, 0153, 0155, 0210, 0734, 0940, 0945, 0967, 0984, 1176, 1537, 1538, 1568, 2111, 2299, 2390, 2391, 3113, 3130, 3144, 3147, 3209, 3391, 3439, 3734, 4131, 4145, 4150.</p> <p>----- Note ----- 698788 Jet-Main (High Altitude) (Carburetor 794456, 794457, 799244, 799245) (Used After Code Date 08121400). Used on Type No(s). 0111, 0114, 0115, 0117, 0118, 0119, 0121, 0143, 0145, 0146.</p> <p>698788 Jet-Main (High Altitude) (Carburetor 794456, 794457, 799244, 799245) (Used After Code Date 08110500). Used on Type No(s). 0113, 0125, 0138, 0142, 0144, 0147, 0381, 0382, 0393, 0426, 0439, 0542, 0665, 1209.</p> <p>698788 Jet-Main (High Altitude) (Carburetor 794456, 794457, 799244, 799245) (Used After Code Date 08042700). Used on Type No(s). 0127, 0129.</p>			

Illustrations cover a range of engines. Parts shown without corresponding text may not be used on your specific engine.

REF. NO.	PART NO.	DESCRIPTION	REF. NO.	PART NO.	DESCRIPTION	REF. NO.	PART NO.	DESCRIPTION
	791405	Jet-Main (High Altitude) (Carburetor 793362) (Used Before Code Date 08121500 and After Code Date 07122500). Used on Type No(s). 0111, 0114, 0115, 0117, 0118, 0119, 0121, 0143, 0145, 0146.	125	593433	Carburetor (Nikki) Used on Type No(s). 0155.			0111, 0114, 0115, 0117, 0118, 0119, 0121, 0143, 0145, 0146.
	791405	Jet-Main (High Altitude) (Carburetor 793362) (Used Before Code Date 08110600 and After Code Date 07122500). Used on Type No(s). 0113, 0125, 0138, 0142, 0144, 0147, 0381, 0382, 0393, 0426, 0439, 0542, 0665, 1209.	125A	590399	Carburetor (Nikki) Used on Type No(s). 0001, 0110, 0123, 0124, 0130, 0134, 0135, 0136, 0137, 0148, 0150, 0152, 0153, 0210, 0734, 0940, 0945, 0967, 0984, 1176, 1537, 1538, 1568, 2111, 2299, 2390, 2391, 3113, 3130, 3144, 3147, 3209, 3391, 3439, 3734.			
	791405	Jet-Main (High Altitude) (Carburetor 793362) (Used Before Code Date 08042800). Used on Type No(s). 0129.			----- Note ----- 593432 Carburetor (Nikki) Used on Type No(s). 0134, 0135, 0137, 0152, 4131, 4145, 4150.			
	699898	Jet-Main (High Altitude) (Carburetor 698944 and 698945) (Used Before Code Date 07122600). Used on Type No(s). 0111, 0113, 0114, 0115, 0117, 0118, 0119, 0121, 0125, 0138, 0142, 0143, 0144, 0145, 0381, 0382, 0393, 0426, 0439, 0542.			590400 Carburetor (Nikki) Used on Type No(s). 0155.			
121	796185	Kit-Carburetor Overhaul (Walbro)			590399 Carburetor (Nikki) (Used After Code Date 08042700). Used on Type No(s). 0127, 0129.			
121A	796184	Kit-Carburetor Overhaul (Nikki)			794653 Carburetor (Nikki) (Used Before Code Date 08042800). Used on Type No(s). 0127, 0129.			
					590399 Carburetor (Nikki) (Used After Code Date 08121400). Used on Type No(s). 0111, 0114, 0115, 0117, 0118, 0119, 0121, 0143, 0145, 0146.			
					794653 Carburetor (Nikki) (Used Before Code Date 08121500). Used on Type No(s).			

Illustrations cover a range of engines. Parts shown without corresponding text may not be used on your specific engine.

217800

REF. NO.	PART NO.	DESCRIPTION	REF. NO.	PART NO.	DESCRIPTION	REF. NO.	PART NO.	DESCRIPTION
		590399 Carburetor (Nikki) (Used After Code Date 08110500). Used on Type No(s). 0113, 0125, 0138, 0142, 0144, 0147, 0381, 0382, 0393, 0426, 0439, 0542, 0665, 1209.	187	791805	Line-Fuel (Formed)(10-1/4 Inches Long)(Cut to Required Length)	209	792813	Spring-Governor Used on Type No(s). 0111, 0113, 0114, 0118, 0125, 0129, 0134, 0135, 0136, 0137, 0145, 0146, 0153, 2111, 3113, 4131, 4145.
		794653 Carburetor (Nikki) (Used Before Code Date 08110600). Used on Type No(s). 0113, 0125, 0138, 0142, 0144, 0147, 0381, 0382, 0393, 0426, 0439, 0542, 0665, 1209.	187A	791806	Line-Fuel (Formed)(21 Inches Long)(Cut To Required Length)			----- Note ----- 792602 Spring-Governor Used on Type No(s). 0115, 0119, 0121, 0123, 0124, 0127, 0148, 0152, 0155, 0382, 0393, 0439, 0542, 0945, 0967, 0984, 1176, 1537, 1538, 1568, 2390, 2391, 3391, 3439.
127	694524	Plug-Welch (Walbro)	187B	791766	Line-Fuel (15 Inches Long)(Cut To Required Length)			691278 Spring-Governor Used on Type No(s). 0117.
127A	690727	Plug-Welch (Nikki)	187C	791745	Line-Fuel (23 Inches Long)(Cut To Required Length)			690576 Spring-Governor Used on Type No(s). 0142.
130	790024	Valve-Throttle (Walbro)	187D	791744	Line-Fuel (14 Inches Long)(Cut To Required Length)			260902 Spring-Governor Used on Type No(s). 0138, 0381, 0426, 2299.
130A	698774	Valve-Throttle (Nikki)	188	691693	Screw (Control Bracket)			796260 Spring-Governor Used on Type No(s). 0001, 0144, 0147, 0150, 0665, 0734, 0940, 3144, 3734, 3147, 4150.
131	790901	Kit-Throttle Shaft (Walbro)	190	796174	Screw (Fuel Tank)			796261 Spring-Governor Used on Type No(s). 0110, 0130, 0210, 1209, 3130, 3209.
131A	698776	Kit-Throttle Shaft (Nikki)	192	691986	Adjuster-Rocker Arm	216	691840	Link-Choke
133	494381	Float-Carburetor (Walbro)	202	691841	Link-Mechanical Governor	216A	691281	Link-Choke Used on Type No(s). 0119.
133A	694914	Float-Carburetor (Nikki)	203	691381	Crank-Bell Used on Type No(s). 0119.	217	695409	Spring-Choke Return
135	796400	Tube-Fuel Transfer	205	691693	Screw (Bell Crank)	222	694042	Bracket-Control ----- Note -----
135A	698780	Tube-Fuel Transfer (Nikki)(Gravity Feed)						694335 Bracket-Control Used on Type No(s). 0127.
		----- Note ----- 792022 Tube-Fuel Transfer (Nikki)(Pump Feed)						
137	281165S	Gasket-Float Bowl (Walbro)						
137A	698781	Gasket-Float Bowl (Nikki)						
141	790902	Kit-Choke Shaft (Walbro)						
141A	698778	Kit-Choke Shaft (Nikki)						
141B	790903	Kit-Choke Shaft (Walbro)						
142	790025	Nozzle-Carburetor (Standard)						
143	790028	Nozzle-Carburetor (High Altitude)						

Illustrations cover a range of engines. Parts shown without corresponding text may not be used on your specific engine.
5498-16 Assemblies include all parts shown in frames. 12/19/2014

REF. NO.	PART NO.	DESCRIPTION	REF. NO.	PART NO.	DESCRIPTION	REF. NO.	PART NO.	DESCRIPTION
227	691374	Lever-Governor Control ----- Note ----- 694339 Lever-Governor Control Used on Type No(s). 0127.	304A		Housing-Blower (See OEM for Service) Used on Type No(s). 0393, 0439, 3439.	311	497608	Brush Set
232	691842	Spring-Governor Link	304B	796450	Housing-Blower (Black-Compatible With Panel Style Filter) (Used After Code Date 08072900). Used on Type No(s). 0127.	324	796308	Screen-Rotating (Used After Code Date 07040800).
237	690409	Retainer-Muffler Guard Used on Type No(s). 0114, 0117, 0119, 0125, 0129, 0143, 0145.			----- Note ----- 792908 Housing-Blower (Black-Compatible With Panel Style Filter) (Used Before Code Date 08073000). Used on Type No(s). 0127.	333	799650	Armature-Magneto
238	691843	Cap-Valve	304G	591641	Housing-Blower (Black-Compatible With Canister Style Filter) Used on Type No(s). 0001, 0110, 0123, 0124, 0134, 0135, 0136, 0137, 0150, 0152, 0153, 0155, 0210, 0940, 0945, 0967, 0984, 1537, 1538, 1568, 3113, 3130, 3144, 3147, 3209, 3391, 3734, 4145, 4131, 4150.	333A	592841	Armature-Magneto Used on Type No(s). 0001, 0124, 0152, 0153, 0155, 0542, 0940, 0945, 0967, 0984, 1537, 1538, 1568, 3144, 3147, 3209, 3391, 3734, 4150.
240	394358s	Filter-Fuel (White, 75 Microns) ----- Note ----- 298090s Filter-Fuel (Red, 150 Microns)	305	697102	Screw (Blower Housing)	334	691061	Screw (Magneto Armature)
240A	691035	Filter-Fuel (Clear, 40 Microns)	305A	793376	Screw (Non-Grommet Style Blower Housing)	337	491055s	Plug-Spark (Resistor) ----- Note ----- 691043 Plug-Spark (EMS) Used on Type No(s). 0001, 0111, 0119, 0123, 0124, 0125, 0129, 0138, 0142, 0144, 0146, 0150, 0152, 0153, 0155, 0381, 0382, 0393, 0542, 0967, 1146, 1209, 1568, 2299, 2391, 3144, 3209, 3391, 4150.
261	697176	Screw (Control Slide)	305B	795891	Screw (Blower Housing To Intake Elbow)	346	690661	Screw (Spark Arrester)
263	691083	Screw (Muffler Guard Retainer)	305C	799370	Screw (Grommet Style Blower Housing)	356	697397	Wire-Stop ----- Note ----- 792910 Wire-Stop Used on Type No(s). 0127.
265	691024	Clamp-Casing	306	592778	Shield-Cylinder ----- Note ----- 792911 Shield-Cylinder Used on Type No(s). 0127.	356A	398808	Wire-Stop
267	794904	Screw (Casing Clamp)	307	691693	Screw (Cylinder Shield)	356B	697089	Wire-Stop
268	691025	Casing-Control Wire (Cut To Required Length)	309	693551	Motor-Starter	357	691483	Key-Drive Pulley
269	691026	Wire-Control (Cut To Required Length)	310	690323	Screw (Starter Motor)	358	796181	Gasket Set-Engine
270	691027	Nut (Control Wire Casing)				359	691077	Washer (Ground Terminal)
271	691028	Lever-Control				363	19203	Puller-Flywheel
276	692255	Washer-Sealing				373	691612	Nut (Ground Terminal)
276A	695410	Washer-Sealing						
300A	796000	Muffler ----- Note ----- 592322 Muffler Used on Type No(s). 0984.						
300B	795997	Muffler Used on Type No(s). 0110, 0118, 0119, 0130, 0138, 0210, 3130.						
304		Housing-Blower (Compatible With Panel Style Filter. No Longer Available. See Reference 304H For Replacement Kit).						

Illustrations cover a range of engines. Parts shown without corresponding text may not be used on your specific engine.
5498-17 Assemblies include all parts shown in frames. 12/19/2014

REF. NO.	PART NO.	DESCRIPTION	REF. NO.	PART NO.	DESCRIPTION	REF. NO.	PART NO.	DESCRIPTION
584	794682	Cover-Breather Passage (Use With Liquid Sealant Reference 850).	670	796175	Spacer	757	793242	Link-Counterweight
597	691696	Screw (Pawl Friction Plate) (Used Before Code Date 12082700).	676	795036	Deflector-Muffler (Side Out) Used on Type No(s). 0114, 0117, 0119, 0125, 0129, 0134, 0135, 0136, 0137, 0143, 0145, 0146, 1537, 1538, 1568, 2111, 4131, 4145.	758	697391	Counterweight (Used After Code Date 05100200). ----- Note ----- 697391 Counterweight Used on Type No(s). 0111.
601	791850	Clamp-Hose (Green) ----- Note ----- 691038 Clamp-Hose (Black)	676A	396903	Deflector-Muffler (Direct Out) Used on Type No(s). 0111, 0945, 0967.	795940	Counterweight (Used Before Code Date 05100300). Must Use Kit 795940, Includes Sump And Counterweight.	
608	695058	Starter-Rewind (Used Before Code Date 12082700).	676B	795033	Deflector-Muffler (Louvered) Used on Type No(s). 0127.	795957	Counterweight (Used Before Code Date 05100300). Used on Type No(s). 0111.	
608A	591606	Starter-Rewind (Used After Code Date 12082600).	677	690661	Screw (Muffler Deflector)	759	697392	Pin-Counterweight
613	691416	Screw (Muffler)	684	697157	Screw (Breather Assembly)	773	796448	Retainer
613A	691678	Screw (Muffler)	687	697175	Slide-Control	783	693713	Gear-Pinion
613B	690297	Screw (Muffler)	688	690395	Cap-Friction	788	699347	Bracket-Fuel Pump (Used Before Code Date 08073000).
614	691620	Pin-Cotter	689	691855	Spring-Friction (Used Before Code Date 12082700).	789	698329	Harness-Wiring
616	692012	Crank-Governor	689A	6929	Spring-Friction	797	693167	Nut (Brush Retainer)
617	692138	Seal-O Ring (Intake Manifold)	691	692407	Seal-Governor Shaft	801	691283	Cap-Drive
621	692310	Switch-Stop	692	691301	Spring-Detent	802	691286	Cap-End
633	699813	Seal-Choke/Throttle Shaft (Nikki) ----- Note ----- 690597 Seal-Choke/ Throttle Shaft (Walbro)	697	791680	Screw (Drive Cap)	823	698941	Screw (Muffler Adapter)
634	690802	Spring/Seal Assembly (Walbro)	705	790561	Nut (Fuel Tank)	830	691095	Stud-Rocker Arm
635	691909	Boot-Spark Plug	718	690959	Pin-Locating	832	790244	Guard-Muffler
643	697155	Retainer-Air Filter ----- Note ----- 792909 Retainer- Air Filter Used on Type No(s). 0127.	725	690403	Shield-Heat	836	690367	Screw (Muffler Guard)
654	690958	Nut (Carburetor)	729	691335	Clip-Wire (Wire Retainer)	842	691031	Seal-O Ring (Dipstick Tube)
			729A	691224	Clip-Wire (Starter Motor)			
			741	697128	Gear-Timing			
			750	790832	Screw (Oil Pump Cover)			

Illustrations cover a range of engines. Parts shown without corresponding text may not be used on your specific engine.
5498-19 Assemblies include all parts shown in frames. 12/19/2014

217800

REF. NO.	PART NO.	DESCRIPTION	REF. NO.	PART NO.	DESCRIPTION	REF. NO.	PART NO.	DESCRIPTION
843	697158	Sleeve-Lever	883	692236	Gasket-Exhaust	1005	796082	Fan-Flywheel
847	790442	Dipstick/Tube Assembly Used on Type No(s). 0001, 0110, 0113, 0124, 0125, 0129, 0130, 0136, 0138, 0142, 0144, 0147, 0148, 0153, 0210, 0381, 0382, 0393, 0426, 0439, 0542, 0665, 0734, 0940, 0945, 0967, 0984, 1176, 1209, 1537, 1538, 1568, 2299, 2390, 2391, 3113, 3130, 3144, 3147, 3209, 3391, 3439, 3734.	914	691108	Screw (Rocker Cover)			(Used After Code Date 07040800).
		----- Note -----	918	791851	Hose-Vacuum (Molded)	1005A	796200	Fan-Flywheel (Used Before Code Date 07040900).
		790443 Dipstick/Tube Assembly Used on Type No(s). 0111, 0114, 0115, 0117, 0118, 0119, 0121, 0123, 0127, 0134, 0135, 0137, 0143, 0145, 0146, 0150, 0152, 0155, 2111, 4131, 4145, 4150.	943	690589	Seal-O Ring (Oil Pump Cover)	1005B		Fan-Flywheel (No Longer Available) (See Reference1005A For Service Flywheel Fan).
949A	799358	Guard-Debris Screen	947	699915	Solenoid-Fuel			
850	100106	Sealant-Liquid (Rocker Cover Gasket and Breather Gasket).	950	691657	Screw-Float Bowl (Bottom Of Bowl)	1017	796981	Screen-Oil Pump
851	692424	Terminal-Spark Plug	951	793386	Choke Rod (Manual Choke)	1022	272475s	Gasket-Rocker Cover (Used Before Code Date 07091000). (After Date Code Use Liquid Sealant Reference 850)
864	796002	Adapter-Muffler ----- Note ----- 592323 Adapter-Muffler Used on Type No(s). 0984.	957	799179	Cap-Fuel Tank (Carbon In Cap) Used on Type No(s). 0134, 0135, 0137, 4131, 4145.	1023	797421	Cover-Rocker
868	690968	Seal-Valve	957A	795027	Cap-Fuel Tank (Standard)	1024A	794644	Pump-Oil
877	393456	Wire/Connector-Alternator (Dual Circuit)	958	698183	Valve-Fuel Shut Off (Plastic)	1026	794573	Rod-Push (Exhaust) ----- Note -----
877A	393814	Wire/Connector-Alternator (DC Only)	964	799159	Cap-Connector (EVAP)			697394 Rod-Push (Intake)
877B	393537	Wire/Connector-Alternator (5/9 Amp. Regulated Or Tri Circuit)	965	499613	Cover-Oil Pump	1027	492932S	Filter-Oil (Standard)
877D	790544	Harness-Wiring	967	697292	Filter-Pre Cleaner	1029	691751	Arm-Rocker
878	398661	Harness-Alternator (Dual Circuit)	968	697420	Cover-Air Cleaner (Black-Compatible With Panel Style Filter)	1034	690822	Guide-Push Rod
			968B	799016	Cover-Air Cleaner (Black-Compatible With Canister Style Filter)	1036		Label-Emissions (Available From A Briggs & Stratton Authorized Dealer)
			972	799111	Tank-Fuel (Fluorinated) Used on Type No(s). 0134, 0135, 0137, 4131, 4145. ----- Note ----- 792168 Tank-Fuel (Standard)	1040	698368	Plate-Trim
			975	698783	Bowl-Float (Nikki)	1044	698139	Screw (Flywheel)
			975A	699502	Bowl-Float (Nikki)	1051	691265	Ring-Retaining
			975C	495933	Bowl-Float (Walbro)	1054	280275	Tie-Cable
			987	691326	Seal-Throttle Shaft (Walbro)	1058	276344	Manual-Operator's Kit-Screw/Washer
			987A	698777	Seal-Throttle Shaft (Nikki)	1059	698516	Kit-Screw/Washer
			994	794945	Arrestor-Spark Used on Type No(s). 0127.	1070	791680	Screw (Flywheel Fan) (Used Before Code Date 07040900).
						1070A	690363	Screw (Flywheel Fan) (Used Before Code Date 08061900 and After Code Date 07040800).
						1090	691293	Retainer-Brush
						1091	691333	Cap-Limiter

Illustrations cover a range of engines. Parts shown without corresponding text may not be used on your specific engine.

REF. NO.	PART NO.	DESCRIPTION	REF. NO.	PART NO.	DESCRIPTION	REF. NO.	PART NO.	DESCRIPTION
1095	796189	Gasket Set-Valve	1263	697124	Reed-Breather	1270	793243	Plug-AVS
1119	691183	Screw (Alternator)	1264	697104	Screw (Breather Reed)			Counterweight
1127	695407	Screw (Float Bowl)(Nikki)	1266	691917	Seal-O Ring (Intake Elbow)	1319	794467	Label-Warning
1136	792629	Screw (Control Bracket)(High Speed Control)	1266A	697123	Seal-O Ring (Intake Elbow)	1319A	797669	Label-Warning
1139	796449	Washer	1267	697419	Latch-Blower Housing (Black)	1448	690260	Washer (Magneto Armature)
1146	793380	Screw (Choke Shaft)(Manual Choke)						

Not for
Reproduction

Illustrations cover a range of engines. Parts shown without corresponding text may not be used on your specific engine.

Not for
Reproduction

Not for
Reproduction

Not for
Reproduction

