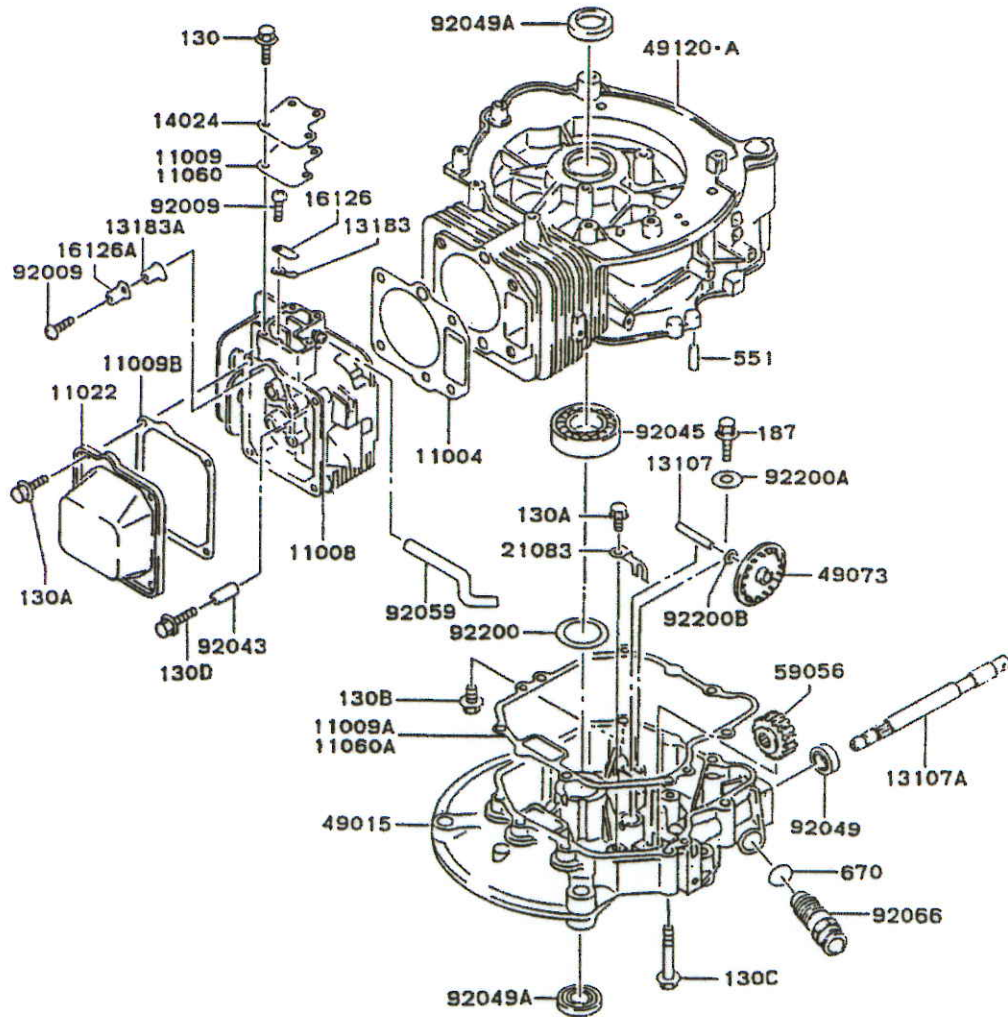


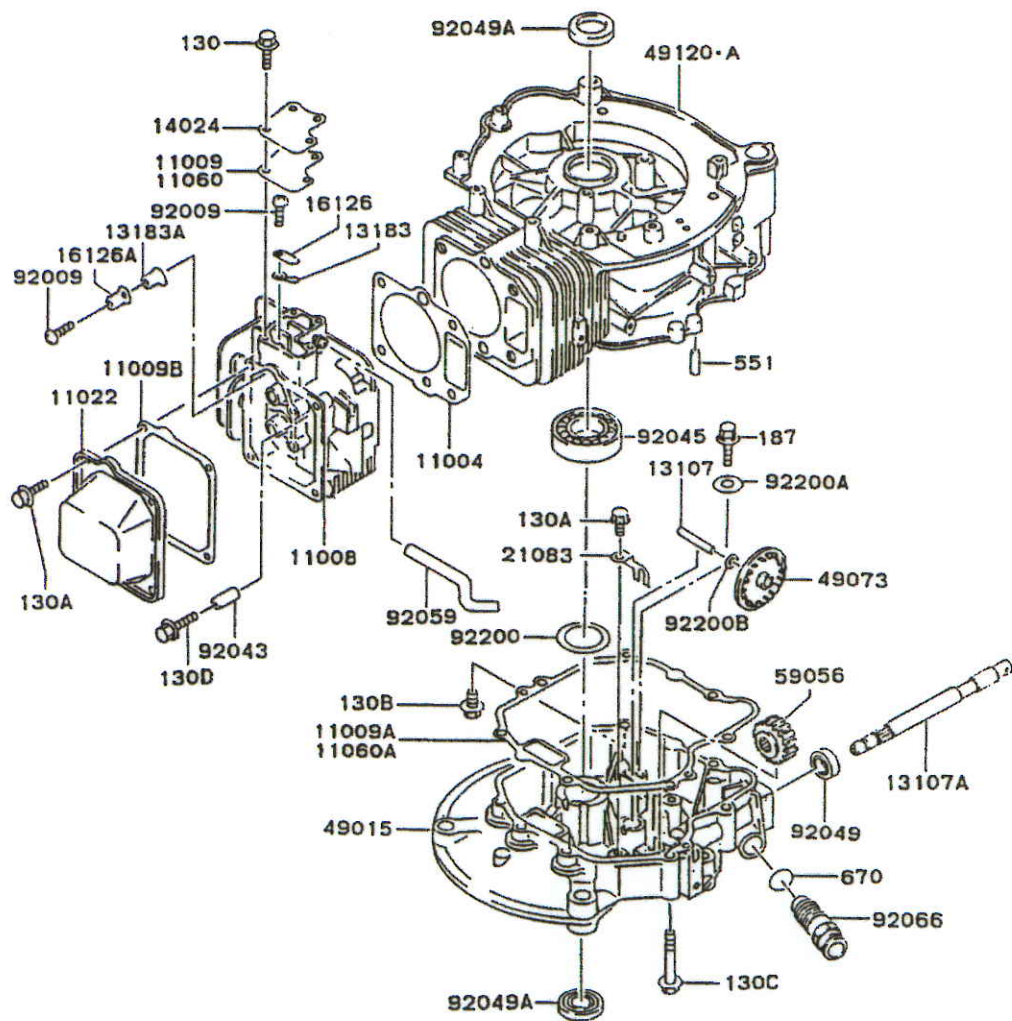
E0110-2243A



Ref No.	Part No.	Part Name	Qty	E
	130	BOLT-FLANGED	4	
	130A	BOLT-FLANGED	5	
	11004	GASKET-HEAD	1	
	11008	HEAD-COMP-CYLINDER	1	
	11009	GASKET,COVER	1	
	(-	FC150-C16490)		
	11009A	GASKET,CRANKCASE COVER	1	
	(-	FC150-C16490)		
	11009B	GASKET,ROCKER CASE	1	
	11022	CASE-ROCKER	1	
	11060	GASKET,COVER	1	
	(FC150-C16491 -			
	11060A	GASKET,CRANKCASE COVER	1	
	(FC150-C16491 -			
	13107	SHAFT	1	
	13107A	SHAFT	1	
	13183	PLATE	1	
	13183A	PLATE	1	
	14024	COVER	1	
	16126	VALVE	1	
	16126A	VALVE	1	
	21083	ARM	1	
	49015	COVER-CRANKCASE	1	
	49073	SLINGER-OIL	1	
	49120	CRANKCASE-COMP	*	
	49120A	CRANKCASE-COMP	1	
	59056	GEAR-HELICAL	1	
	92009	SCREW,5X8	2	
	92043	PIN	2	
	92045	BEARING-BALL	1	
	92049	SEAL-OIL	1	
	92049A	SEAL-OIL	2	
	92059	TUBE	1	
	92066	PLUG	1	
	92200	WASHER,25X42X1.0	1	
	92200A	WASHER,5X16X0.8	1	
	92200B	WASHER,6X12X1.6	1	

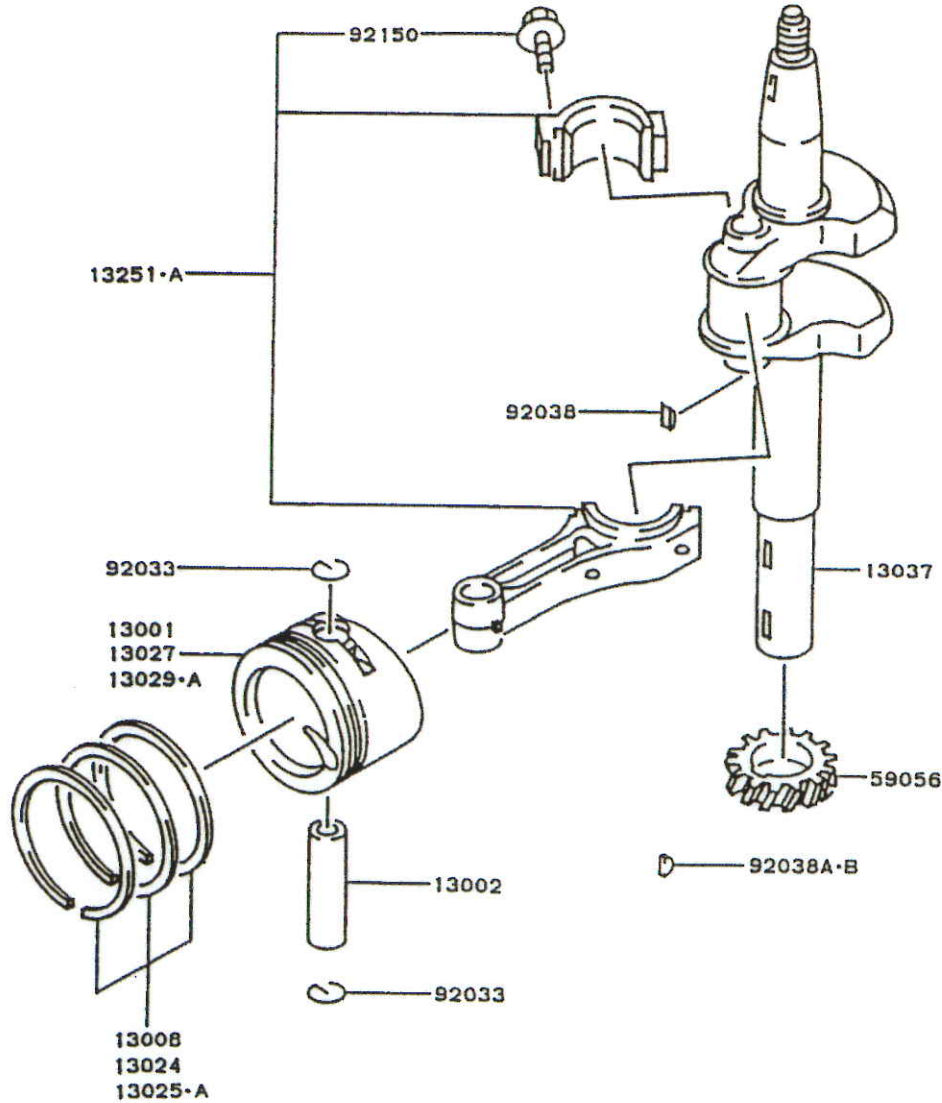
E0110-2243A

Ref No.	Part No.	Part Name	Qty	E
130B	130G0625	BOLT-FLANGED	5	
130C	130G0645	BOLT-FLANGED	2	
130D	130G0845	BOLT-FLANGED	4	
187	187B0510	BOLT-UPSET-WSP	1	
551	551A0612	PIN-DOWEL	2	
670	670D2015	O RING	1	



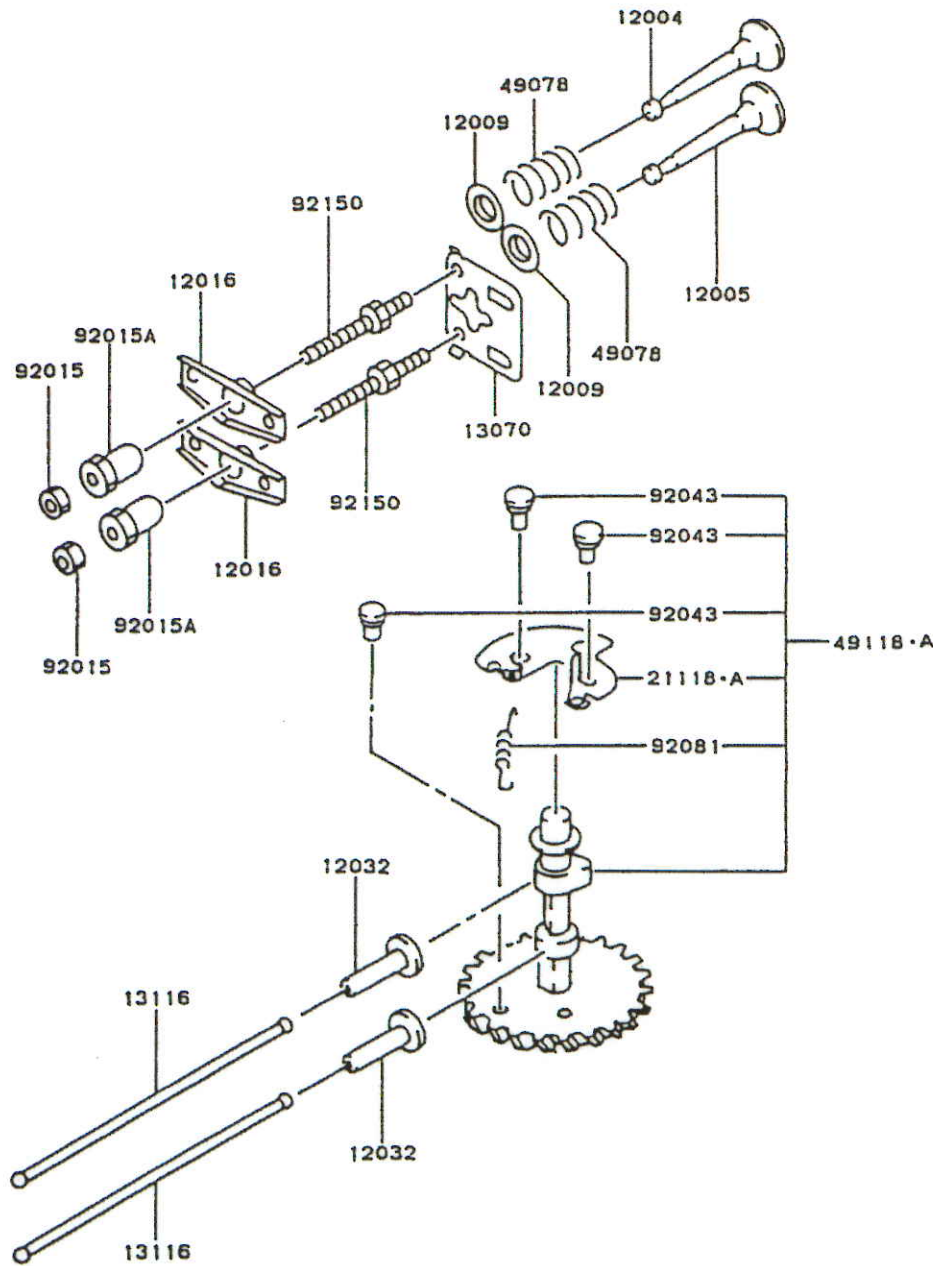
E0120-2180A

Ref No.	Part No.	Part Name	Qty	E
13001	13001-2109	PISTON-ENGINE	1	
13002	13002-2074	PIN-PISTON	1	
13008	13008-6017	RING-SET-PISTON	1	
13024	13024-6002	RING-SET-PISTON LL,0.75	AR	
13025	13025-6003	RING-SET-PISTON L,0.25	AR	
13025A	13025-6004	RING-SET-PISTON L,0.50	AR	
13027	13027-2058	PISTON-ENGINE LL,0.75	AR	
13029	13029-2094	PISTON-ENGINE L,0.25	AR	
13029A	13029-2095	PISTON-ENGINE L,0.50	AR	
13037	13037-2359	CRANKSHAFT	1	
13251	13251-6025	ROD-ASSY-CONNECTING	1	
13251A	13251-6027	ROD-ASSY-CONNECTING,U/S=0.50	AR	
59056	59056-2726	GEAR-HELICAL	1	
92033	92033-2161	RING-SNAP	2	
92038	92038-2093	KEY	1	
92038A	92038-2097	KEY	*	
92038B	92038-2099	KEY	1	
92150	92150-2122	BOLT,CONNECTING ROD	2	



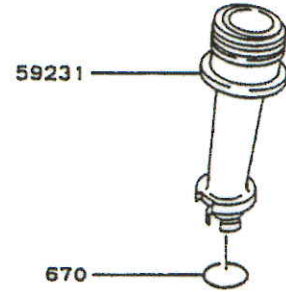
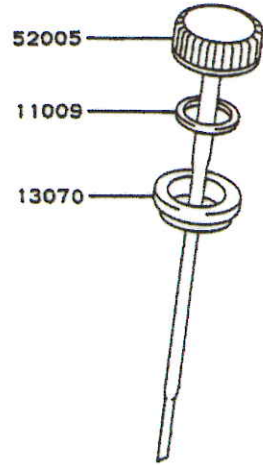
E0130-2071E

Ref No.	Part No.	Part Name	Qty	E
12004	12004-2090	VALVE-INTAKE	1	
12005	12005-2074	VALVE-EXHAUST	1	
12009	12009-2062	RETAINER-VALVE SPRING	2	
12016	12016-2057	ARM-ROCKER	2	
12032	12032-2065	TAPPET	2	
13070	13070-2072	GUIDE	1	
13116	13116-2065	ROD-PUSH	2	
21118	21118-2069	DECOMPRESSOR	1	
	(FC150-B74379)			
21118A	21118-2082	DECOMPRESSOR	1	
	(FC150-B74380 -)			
49078	49078-2064	SPRING-ENGINE VALVE	2	
49118	49118-2068	CAMSHAFT-COMP	*	
49118A	49118-2095	CAMSHAFT-COMP	1	
92015	92015-2240	NUT	2	
92015A	92015-2253	NUT	2	
92043	92043-2168	PIN	3	
92081	92081-2342	SPRING	1	
92150	92150-2102	BOLT	2	



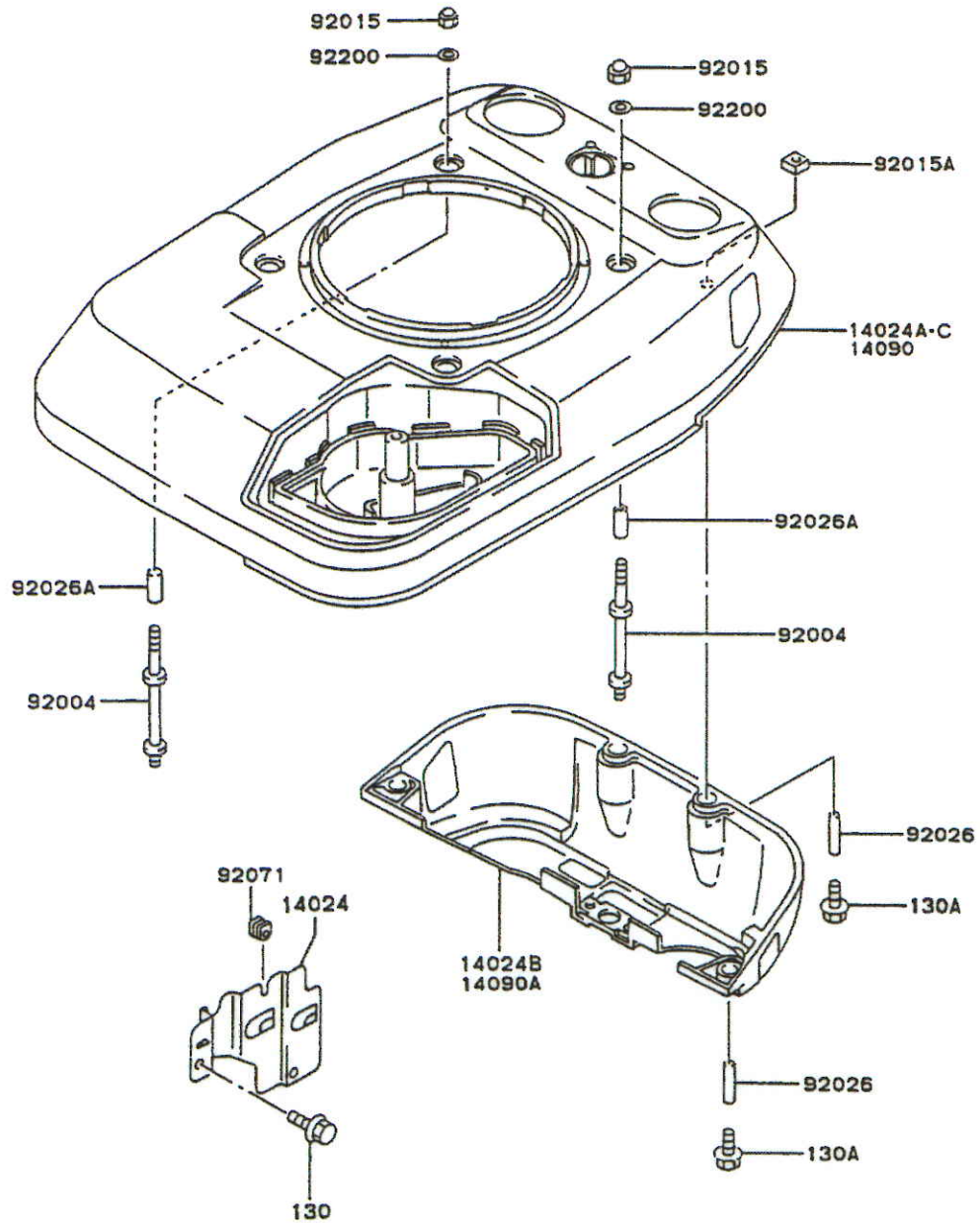
E0140-2045A

Ref No.	Part No.	Part Name	Qty	E
670	670D2016	O RING	1	
11009	11009-2346	GASKET,OIL GAUGE	1	
13070	13070-2078	GUIDE	1	
52005	52005-2094	GAUGE,OIL	1	
59231	59231-2071	FILLER	1	



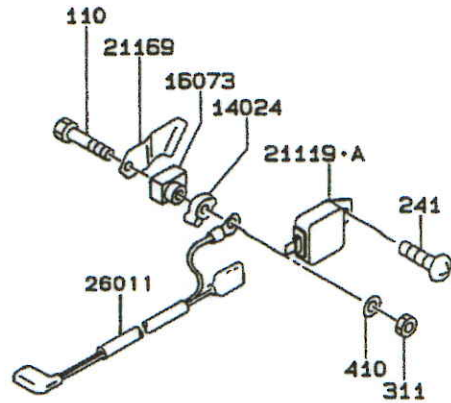
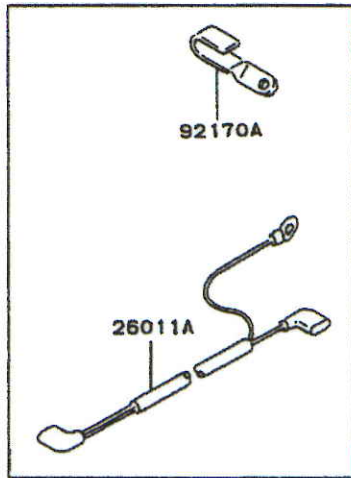
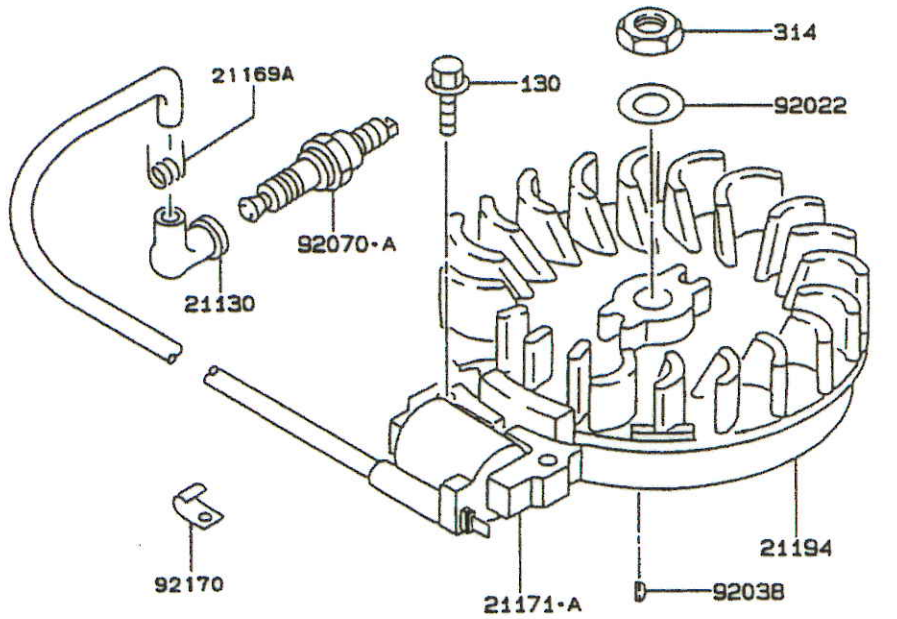
E0150-2296B

Ref No.	Part No.	Part Name	Qty	E
130	130B0510	BOLT-FLANGED	2	
130A	130G0625	BOLT-FLANGED	4	
14024	14024-2181	COVER	1	
14024A	14024-2231	COVER,UPPER	1	
	(FC150-B19326)			
14024B	14024-2232	COVER,LOWER	*	
14024C	14024-2287	COVER,UPPER	*	
	(FC150-B19327 -)			
14090	14090-2007	COVER,UPPER	1	
14090A	14090-2011	COVER,LOWER	1	
92004	92004-2117	STUD	4	
92015	92015-1170	NUT	4	
92015A	92015-2241	NUT,6MM	4	
92026	92026-2273	SPACER,6.2X7.8X17	4	
92026A	92026-2274	SPACER,6.2X7.8X22	4	
92071	92071-2113	GROMMET	1	
92200	92200-2037	WASHER,6.5X18X2.0	4	



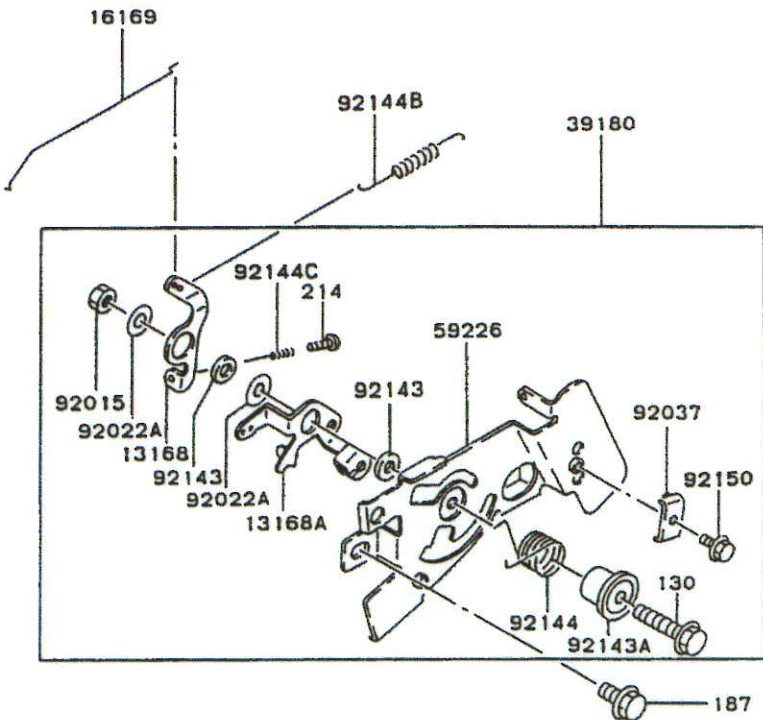
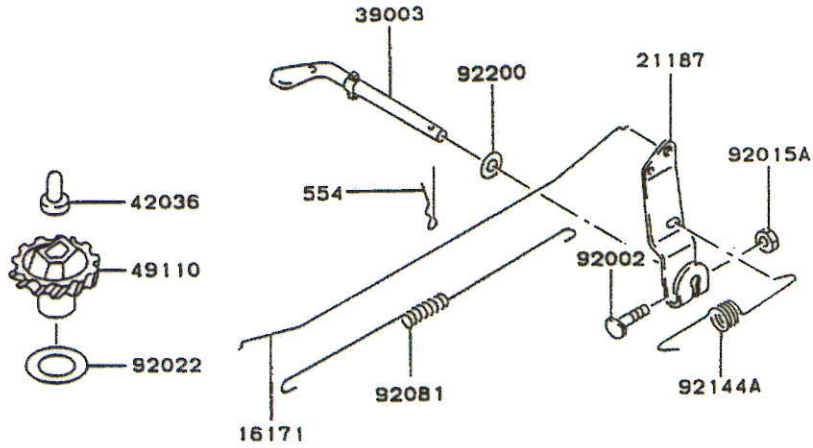
E0160-2609A

Ref No.	Part No.	Part Name	Qty	E
110	110B0522	BOLT	1	
130	130G0625	BOLT-FLANGED	2	
241	241B0412	SCREW-PAN-WP+-	1	
311	311B0500	NUT-HEX	1	
314	314G1400	NUT-HEX-FINE	1	
410	410B0500	W-PLAIN-S	1	
14024	14024-2183	COVER	1	
16073	16073-2124	INSULATOR	1	
21119	21119-2119	IGNITER	1	
	(- FC150-B50811)			
21119A	21119-2139	IGNITER	1	
	(FC150-B50812 -)			
21130	21130-2066	CAP-SPARK PLUG	1	
21169	21169-2066	TERMINAL	1	
21169A	21169-2004	TERMINAL	1	
21171	21171-2153	COIL-ASSY-IGNITION	1	
	(- FC150-B50811)			
21171A	21171-2176	COIL-ASSY-IGNITION	1	
	(FC150-B50812 -)			
21194	21194-2218	FLYWHEEL-COMP	1	
26011	26011-2246	WIRE-LEAD	*	
26011A	26011-2279	WIRE-LEAD	1	
92022	92022-2102	WASHER	1	
92038	92038-2077	KEY	1	
92070	92070-2084	PLUG-SPARK,BP6ES(NGK)	*	
92070A	92070-2087	PLUG-SPARK,BP5ES(NGK)	1	
92170	92170-2041	CLAMP	*	
92170A	92170-2064	CLAMP	1	



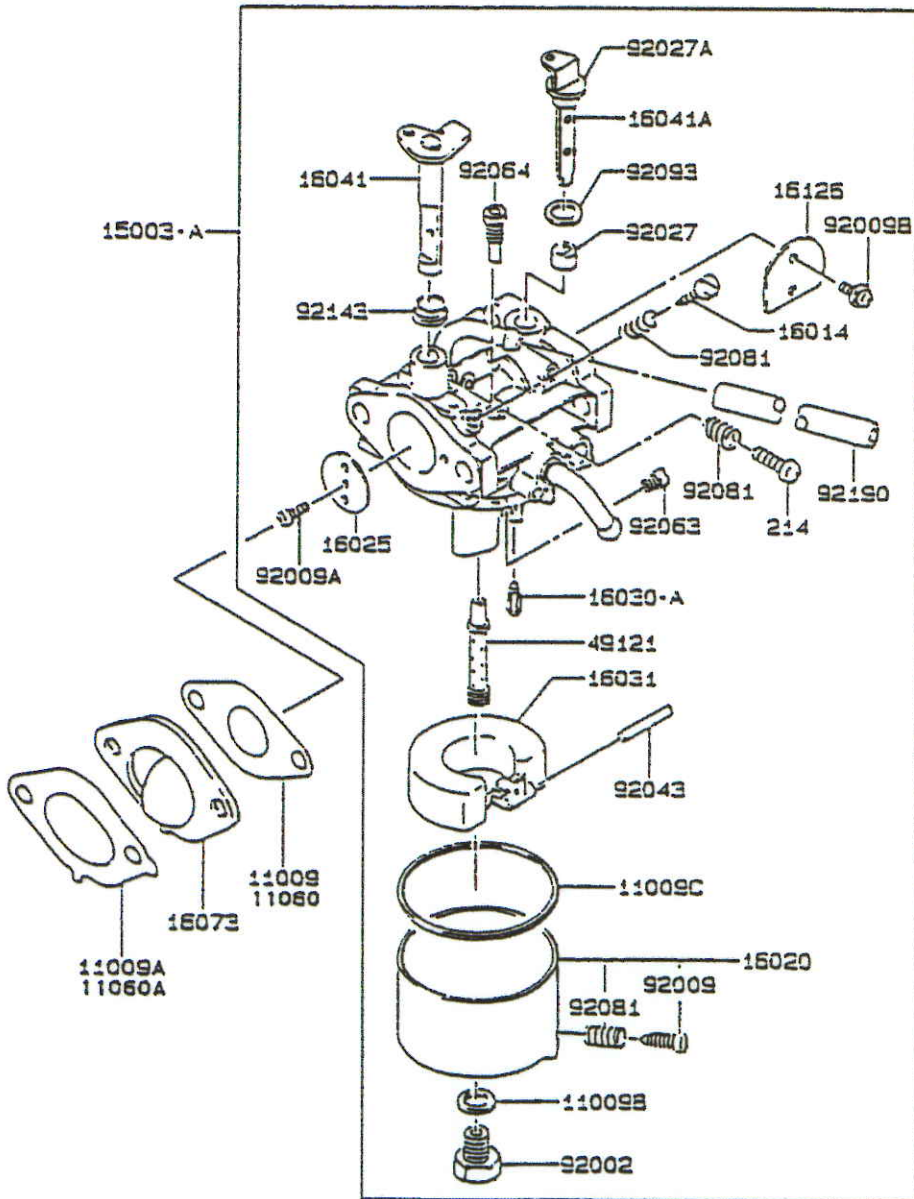
E0170-2425E

Ref No.	Part No.	Part Name	Qty	E
130	130B0630	BOLT-FLANGED	1	
187	187B0614	BOLT-UPSET-WSP	2	
214	214B0420	SCREW-PAN+-	1	
554	554A0600	PIN-SNAP	1	
13168	13168-2288	LEVER	1	
13168A	13168-2298	LEVER	1	
16169	16169-2104	LINK-CHOKE	1	
16171	16171-2060	LINK	1	
21187	21187-2060	ARM-ASSY	1	
39003	39003-2071	ARM-PIVOT	1	
39180	39180-2549	PANEL-ASSY-CONTROL	1	
42036	42036-2051	SLEEVE	1	
49110	49110-2076	GOVERNOR-ASSY	1	
59226	59226-2201	PANEL-CONTROL	1	
92002	92002-2269	BOLT	1	
92015	92015-2051	NUT	1	
92015A	92015-1193	NUT	1	
92022	92022-2019	WASHER	1	
92022A	92022-2372	WASHER,6X19X1.2	2	
92037	92037-2209	CLAMP	1	
92081	92081-2299	SPRING,LINK	1	
92143	92143-2135	COLLAR,6X13X2.3	2	
92143A	92143-2148	COLLAR	1	
92144	92144-2211	SPRING	1	
92144A	92144-2213	SPRING	1	
92144B	92144-2235	SPRING	1	
92144C	92144-2266	SPRING	1	
92150	92150-2182	BOLT,5X18	1	
92200	92200-2029	WASHER,6.5X11.5X2.0	1	

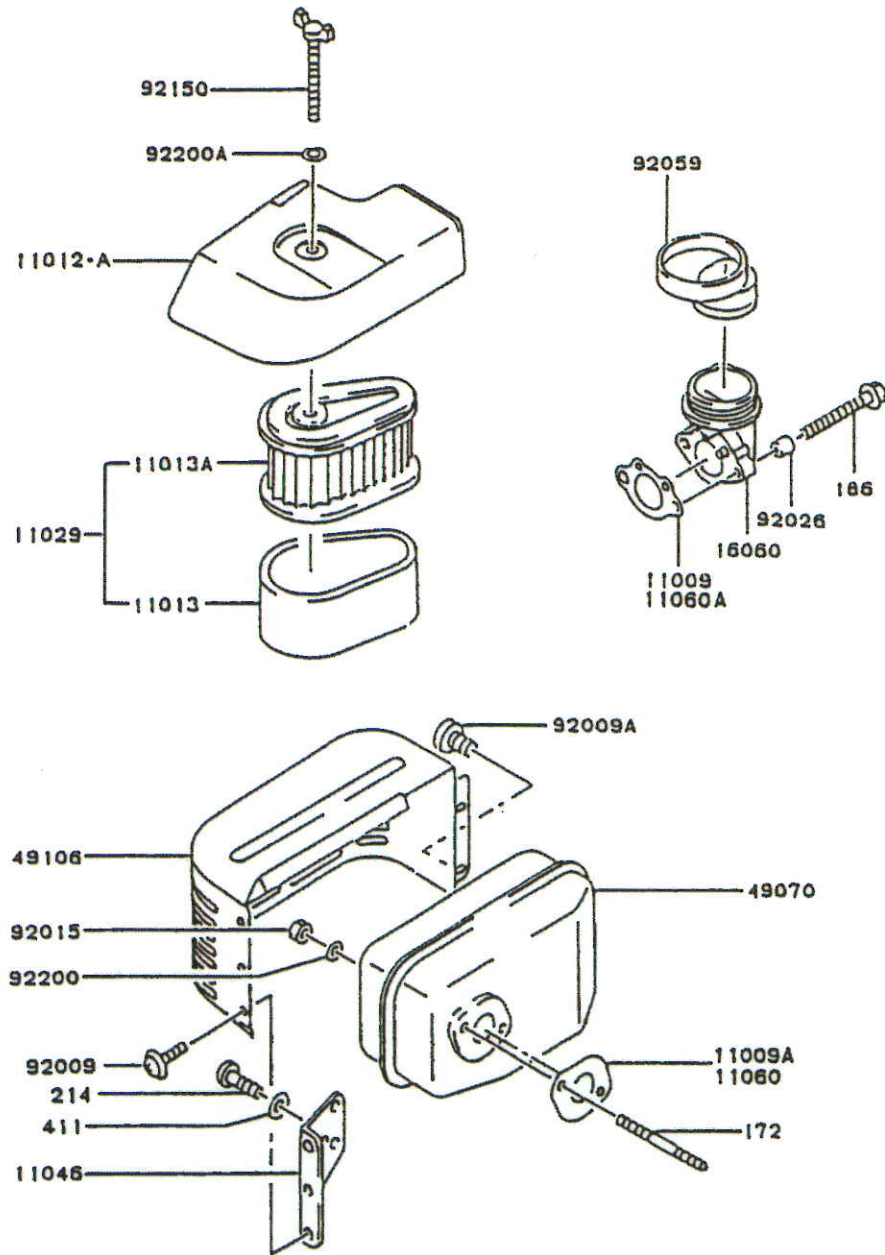


E0180-2202J

Ref No.	Part No.	Part Name	Qty	E
214	214B0412	SCREW-PAN+-	1	
11009	11009-2746	GASKET,CARBURETOR	1	
	(-	FC150-B77965)		
11009A	11009-2833	GASKET,INSULATOR	1	
	(-	FC150-B77965)		
11009B	11009-2036	GASKET	1	
11009C	11009-2037	GASKET	1	
11060	11060-2010	GASKET,CARBURETOR	1	
	(FC150-B77966 -)		
11060A	11060-2012	GASKET,INSULATOR	1	
	(-	FC150-B77966 -		
15003	15003-2006	CARBURETOR-ASSY	*	
15003A	15003-2088	CARBURETOR-ASSY	1	
16014	16014-2004	SCREW-PILOT AIR	1	
16020	16020-2052	CHAMBER-FLOAT	1	
16025	16025-2001	VALVE-THROTTLE,#110	1	
16030	16030-2083	VALVE-FLOAT	1	
16030A	16030-2003	VALVE-FLOAT	*	
16031	16031-2058	FLOAT	1	
16041	16041-2178	SHAFT-CARBURETOR,THROTTLE	1	
16041A	16041-2197	SHAFT-CARBURETOR,CHOKE	1	
16073	16073-2136	INSULATOR	1	
16126	16126-2173	VALVE	1	
49121	49121-2113	NOZZLE-MAIN,#2A	1	
92002	92002-2011	BOLT	1	
92009	92009-2015	SCREW	1	
92009A	92009-2080	SCREW	1	
92009B	92009-2149	SCREW	2	
92027	92027-2003	COLLAR	1	
92027A	92027-2004	COLLAR	1	
92043	92043-2006	PIN	1	
92063	92063-2096	JET-MAIN,#68.8	1	
92064	92064-2065	JET-PILOT,#38.8	1	
92081	92081-2009	SPRING	3	
92093	92093-2087	SEAL	1	
92143	92143-2143	COLLAR	1	
92190	92190-2003	TUBE,5X8X125	1	

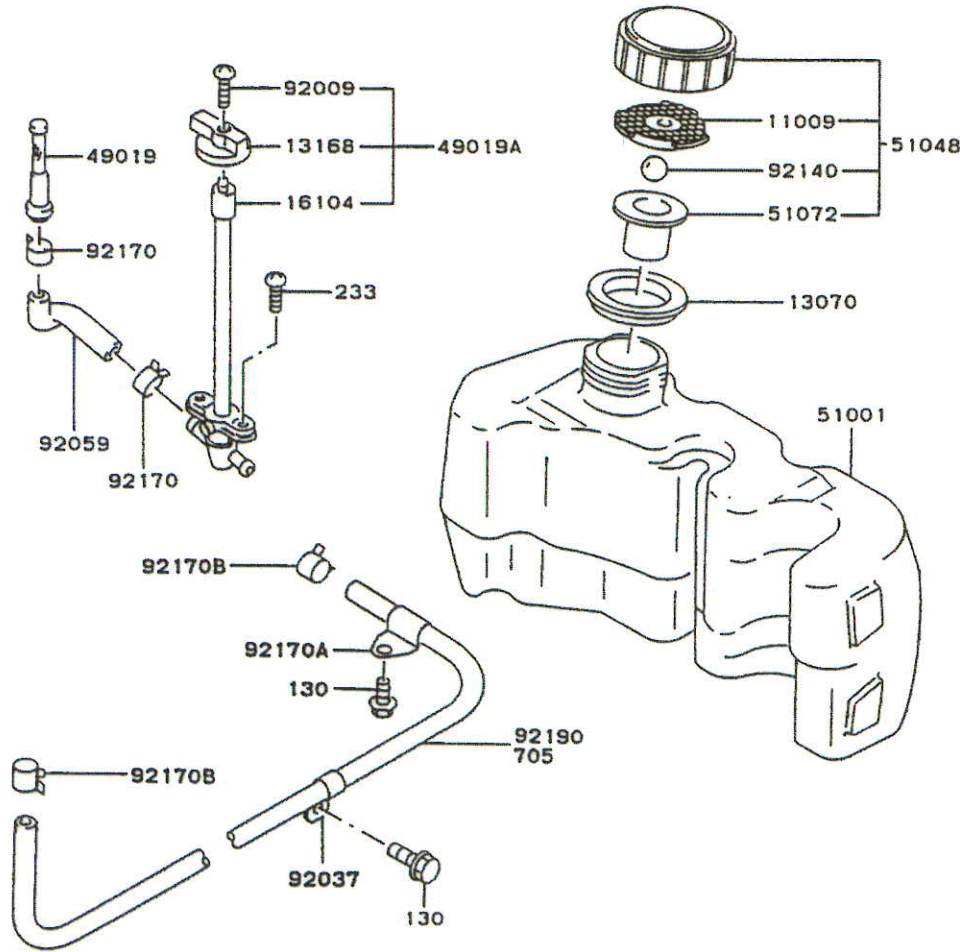


E0190-2278H



Ref No.	Part No.	Part Name	Qty	E
172	172G0680	BOLT-STUD	2	
186	186B0680	BOLT-UPSET-WP	2	
214	214B0510	SCREW-PAN+-	2	
411	411B0500	WASHER-PLAIN	2	
11009	11009-2742 (-)	GASKET,INTAKE PIPE FC150-C16490)	1	
11009A	11009-2743	GASKET,MUFFLER	*	
11012	11012-2264	CAP,AIR FILTER	*	
11012A	11012-2311	CAP,AIR FILTER	1	
11013	11013-2119	ELEMENT-AIR FILTER	1	
11013A	11013-2120	ELEMENT-AIR FILTER	1	
11029	11029-2002	ELEMENT-ASSY-AIR FILTER	1	
11046	11046-2053	BRACKET	1	
11060	11060-2009	GASKET,MUFFLER	1	
11060A	11060-2067 (FC150-C16491 -)	GASKET,INTAKE PIPE	1	
16060	16060-2129	PIPE-INTAKE	1	
49070	49070-2461	MUFFLER-COMP	1	
49106	49106-2430	COVER-MUFFLER	1	
92009	92009-2166	SCREW,5X8	3	
92009A	92009-2308	SCREW	2	
92015	92015-1193	NUT	2	
92026	92026-2272	SPACER,6.2X7.8X8	2	
92059	92059-2257	TUBE	1	
92150	92150-2101	BOLT	1	
92200	92200-2032	WASHER,7X21X2.3	2	
92200A	92200-2037	WASHER,6.5X18X2.0	1	

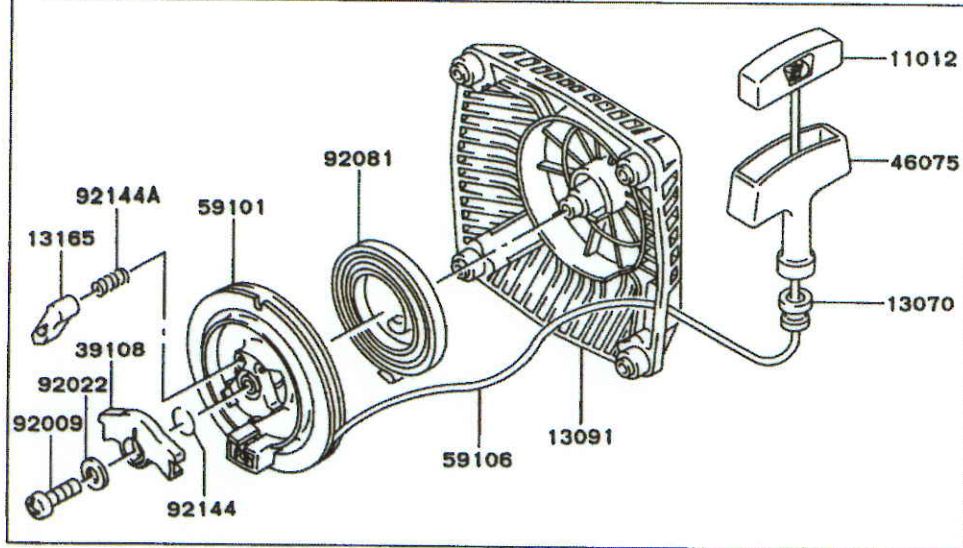
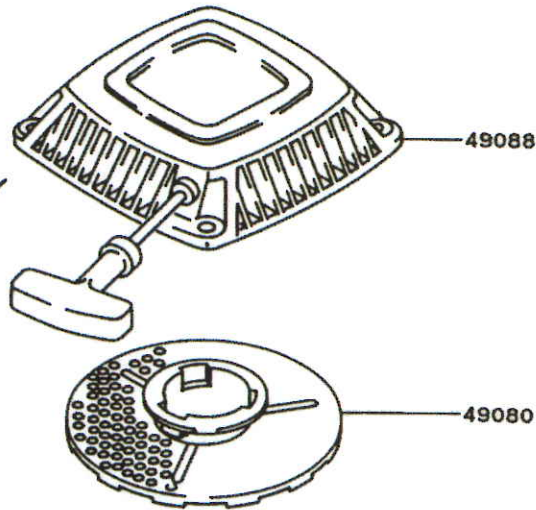
E0200-2354A



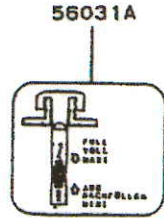
Ref No.	Part No.	Part Name	Qty	E
130	130B0612	BOLT-FLANGED	2	
233	233B0510	SCREW-PAN-WP+-	2	
705	705A041000	TUBE-BRAID	*	
11009	11009-2865	GASKET	1	
13070	13070-2077	GUIDE	1	
13168	13168-2303	LEVER	1	
16104	16104-2052	FILTER-COMP	1	
49019	49019-2091	FILTER-FUEL	1	
49019A	49019-2094	FILTER-FUEL	1	
51001	51001-2214	TANK-COMP-FUEL	1	
51048	51048-2070	CAP-ASSY-TANK	1	
51072	51072-2058	CHAMBER-FUEL	1	
92009	92009-2296	SCREW	1	
92037	92037-2202	CLAMP	1	
92059	92059-2262	TUBE	1	
92140	92140-2059	BALL	1	
92170	92170-2009	CLAMP	2	
92170A	92170-2037	CLAMP	1	
92170B	92170-2043	CLAMP	2	
92190	92190-2068	TUBE,4.8X10.3X425	1	

E0210-2003A

Ref No.	Part No.	Part Name	Qty	E
11012	11012-2255	CAP,GRIP	1	
13070	13070-2064	GUIDE,ROPE	1	
13091	13091-2113	HOLDER,RECOIL	1	
13165	13165-2072	PAWL,RECOIL STARTER	1	
39108	39108-2059	RETAINER-SPRING	1	
46075	46075-2082	GRIP,RECOIL STARTER	1	
49080	49080-2143	PULLEY-STARTING	1	
49088	49088-2379	STARTER-RECOIL	1	
59101	59101-2079	REEL,RECOIL STARTER	1	
59106	59106-2115	ROPE,3.8X1600	1	
92009	92009-2280	SCREW,5X18	1	
92022	92022-2384	WASHER,5X12.8X1.2	1	
92081	92081-2265	SPRING,RECOIL	1	
92144	92144-2176	SPRING	1	
92144A	92144-2177	SPRING,RETURN	1	



Ref No.	Part No.	Part Name	Qty	E
F0290-2106A				
56031	56031-2375	LABEL-MANUAL	1	
56031A	56031-2376	LABEL-MANUAL	1	
56038	56038-2542	LABEL-BRAND	1	



56031

AIR CLEANER MAINTENANCE	LUFTFILTER-PFLEGE	ENTRETIEN DU FILTRE À AIR
<p>FOAM</p> <p>ELEMENT: CLEAN EVERY 25 HRS.</p> <ol style="list-style-type: none"> WASH IN DETERGENT AND WATER, AND DRY THOROUGHLY. SATURATE IN ENGINE OIL AND REMOVE OIL EXCESS. <p>PAPER</p> <p>ELEMENT: CLEAN EVERY 100 HRS.</p> <ol style="list-style-type: none"> CLEAN BY TAPPING GENTLY TO REMOVE DUST. IF VERY DIRTY, REPLACE OR WASH IN DETERGENT AND WATER AND DRY THOROUGHLY. 	<p>REINIGEN SIE DAS SCHWAMMELEMENT JEWEILS NACH 25 STUNDEN LAUFZEIT.</p> <ol style="list-style-type: none"> VASCHEN SIE ES MIT REINIGUNGSMITTEL UND WASSER UND TROCKNEN SIE ES SORGFÄLTIG. TRÄNKEN SIE ES IN MOTORÖL UND DRÜCKEN ÜBERSCHÜSSIGES ÖL AVS. <p>REINIGEN SIE DAS PAPIERELEMENT JEWEILS NACH 100 STUNDEN.</p> <ol style="list-style-type: none"> ENTFERNEN SIE DEN STAUB VORSICHTIG. BEI SEHR VERSCHMUTZTES PAPIERELEMENT ERSETZEN SIE DITTE ODER REINIGEN ES MIT WÄSSCHMITTEL UND WASSER UND TROCKNEN ES ANSCHLIESSENDE SORGFÄLTIG. 	<p>NETTOYER LA MOUSSE TOUTES LES 25 H.</p> <ol style="list-style-type: none"> LAVER À L'EAU SAVONNEUSE, RINÇER ET TROQUER. IMBIBER LÉGÈREMENT AVEC DE L'HUILE MOTEUR. <p>NETTOYER LA CARTOUCHE SÈCHE TOUTES LES 100 H.</p> <ol style="list-style-type: none"> TAPER LÉGÈREMENT LA CARTOUCHE POUR ÉVACUER LES POUSSIÈRES. EN CAS DE DÉPÔTS TRÈS IMPORTANTS, REMPLACER LA CARTOUCHE.