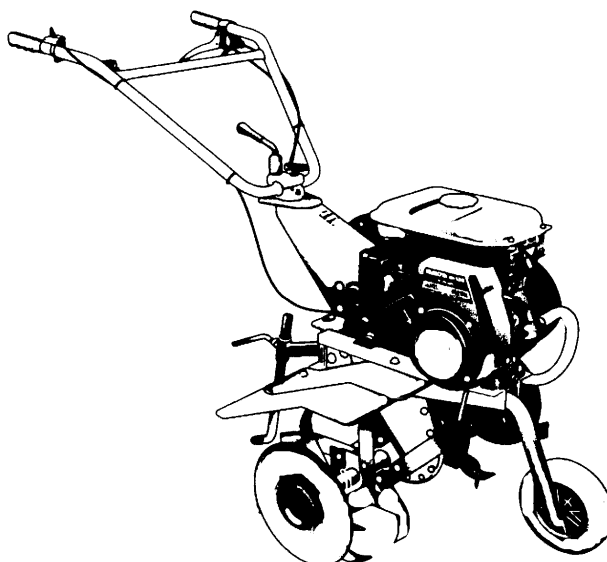


**ILLUSTRATED PARTS LIST
LISTE DES PIÉCES**

Kubota

**MODEL TF40-R
MODELE**

**POWER TILLER
MOTOCULTEUR**



EUROPE

Kubota

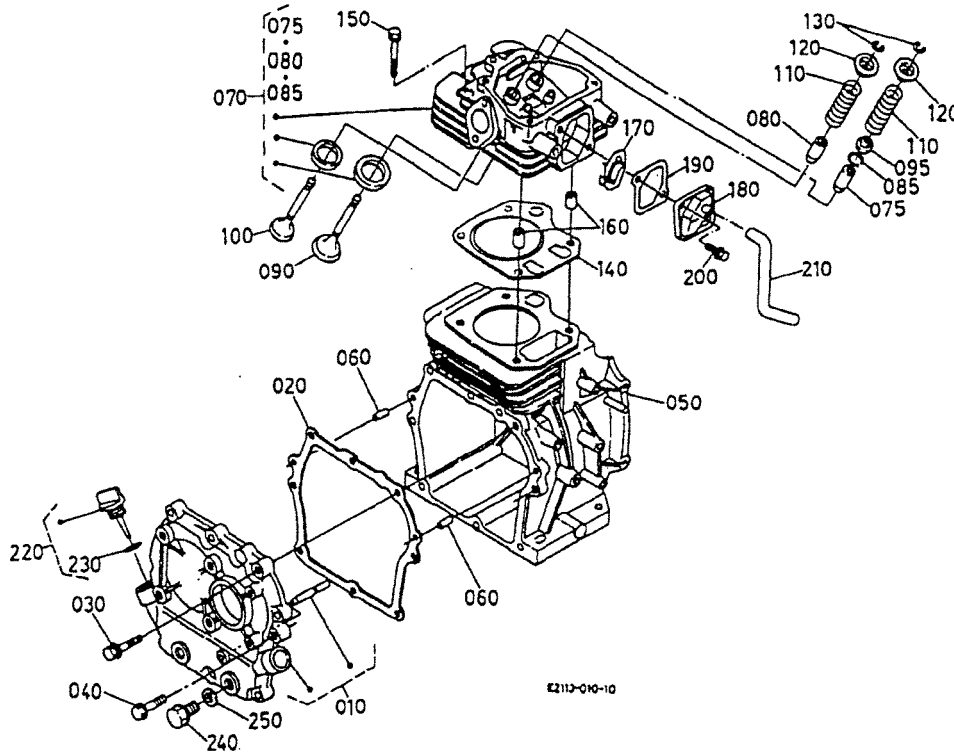
MARS
MARCH 2003

E01

CYLINDER
CYLINDRE
ZYLINDER

B01-L

24 Feb 99



Kubota

A:GH130-2TS-KE

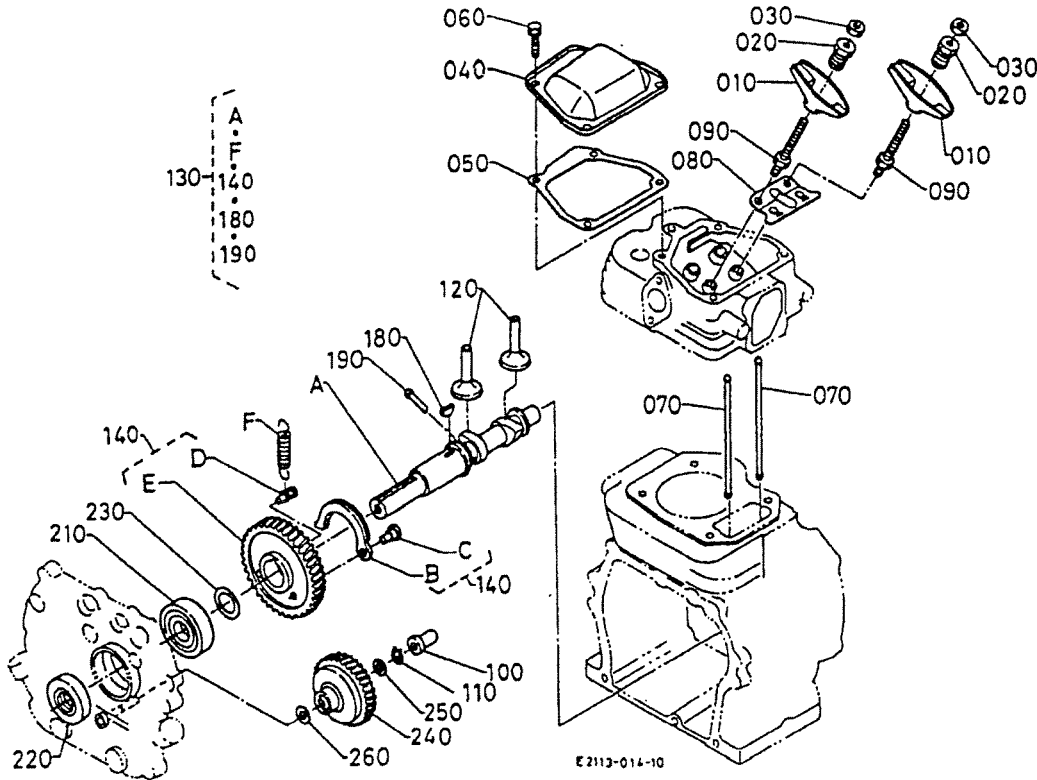
REF.No. POS.No. BILD-Nr.	PART No. REFERENCE BESTELL-Nr.	PART NAME	DESIGNATION	BEZEICHNUNG	Q' TY/S. No. Q' TE/No. S. STUECK/S. Nr.	I.C.	REMARKS REMARQUES BEMERKUNGEN
					A		
010	E2113-0105-0	ASSY COVER, CRANKCASE	ENS. COUVERCLE	KURBELGEHAUSE DECKEL	1		
020	E2111-0134-0	GASKET(CRANK)	JOINT	DICHTUNGSPLATTE	1		
030	13901-9101-0	BOLT	VIS	BOLZEN	7		
040	13621-9121-0	BOLT	VIS	BOLZEN	1		
050	E2113-0211-2	BLOCK, CYLINDER	BLOC-CYLINDRES	ZYLINDER-BLOCK	1		
060	05012-00614	PIN, STRAIGHT	GOUPILLE CYLINDRIQUE	ZYLINDERSTIFT	2		
070	E2111-0304-4	COMP. CYLINDER HEAD	CULASSE COMPLET	KOMP. ZYLINDERKOPF	1		
075	E2111-1354-0	GUIDE, VALVE, INTAKE	OEIL-GUIDE, ECHAPPEME	VENTILFUHRUNG	1		
080	12631-1358-0	GUIDE, VALVE	GUIDE DE SOUPE	FUEHRUNG, VENTIL	1		
085	12631-1357-0	RING, VALVE GUIDE	BAGUE DE GUIDE SOUP.	RING, VENTILFUEHRUNG	1		
090	E2111-1311-2	VALVE, INTAKE	SOUPE D'ADMISSION	EINLASSVENTIL	1		
095	12681-1315-0	SEAL, VALVE STEM	JOINT DE SOUPE	VENTILDICHTUNG	1		
100	E2111-1312-0	VALVE, EXHAUST	SOUPE D'ECHAPMENT	AUSLASSVENTIL	1		
110	E2111-1324-0	SPRING, VALVE	RESSORT DE SOUPE	VENTIL-FEDER	2		
120	12631-1333-0	RETAINER, VALVE SP.	CUVETTE SUPERIEURE	ZURUECKHALTER	2		
130	12631-1336-0	COTTER	CLAVETTE	KEIL	2		
140	E2111-0331-0	GASKET, HEAD	JOINT	ZYLINDERKOPFDICHTUNG	1		
150	12631-0345-0	BOLT, CYLINDER HEAD	VIS DE CYLINDRE	ZYLINDERKOPFSCHRAUBE	4		
160	12631-9493-0	PIN, PIPE	GICLEUR	ROHRSTIFT	2		
170	12643-0501-0	COMP. BREATHER	RENIFLARD COMP	ENTLUEFTER KOMP.	1		
180	12643-0541-0	COVER, BREATHER	COUVERCLE ASPIRATEUR	ENTLUEFTERDECKEL	1		
190	12643-0543-0	GASKET, BREATHER C.	JOINT	DICHTUNG	1		
200	13921-9104-0	BOLT	VIS	BOLZEN	2		
210	12643-0551-2	TUBE, BREATHER	TUBE D'ASPIRATEUR	ROEHRE, ENTLUEFTER	1		
220	13901-3308-2	ASSY GAUGE, OIL	ENS JAUGE D'HUILE	KOMP. OEL MESSER	1		
230	04811-00160	O RING	JOINT TORIQUE	O RING	1		
240	13901-3375-0	PLUG, DRAIN	BOUCHON DE VIDANGE	ENTLEERUNGSSTOPFEN	1		
250	04724-00120	GASKET	JOINT	DICHTUNGSPLATTE	1		

E06

CAMSHAFT
ARBRE A CAMES
NOCKENWELLE

B03-R

24 Feb 99



Kubota

A:GH130-2TS-KE

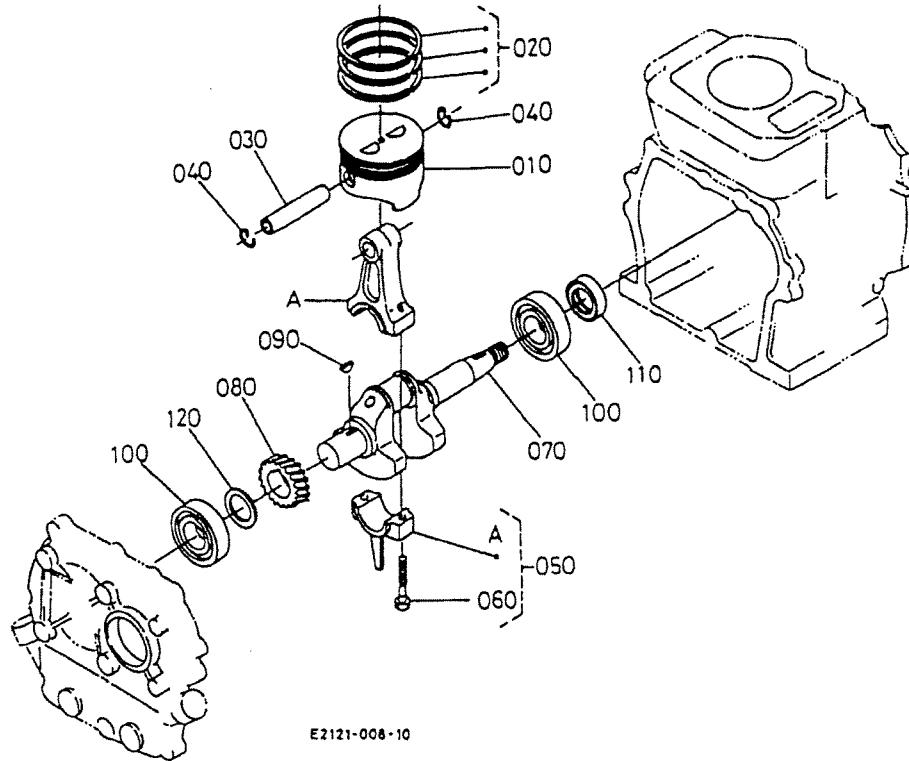
REF.No. POS.No. BILD-Nr.	PART No. REFERENCE BESTELL-Nr.	PART NAME	DESIGNATION	BEZEICHNUNG	Q'TY/S.No. Q'TE/No.S. STUECK/S.Nr.	I.C.	REMARKS REMARQUES BEMERKUNGEN
					A		
010	12631-1411-0	ARM, ROCKER	CULBUTEUR DE SOUPAPE	SCHWINGHEBEL	2		
020	12631-1423-0	NUT, ADJUSTING	ECROU DE REGLAGE	EINSTELLMUTTER	2		
030	12631-1424-0	NUT	ECROU	MUTTER	2		
040	12643-1451-0	COVER, CYL. HEAD	COUVERCLE CULASSE	ZYLINDERKOPFHAUBE	1		
050	12643-1452-0	GASKET, HEAD COVER	JOINT COUVRE-CULASSE	DICHTUNG, KOPFDECKEL	1		
060	01202-50614	BOLT	VIS	BOLZEN	4		
070	12643-1511-0	PUSH ROD	TIGE DE POUSSOIR	STOSSELSTANGE	2		
080	12643-1514-0	GUIDE, PUSH ROD	GUIDE DE TIGE	STOESSELFUEHRUNG	1		
090	12631-9101-2	BOLT	VIS	BOLZEN	2		
100	13901-5545-0	SLEEVE, GOVERNOR	BAGUE DE REGULATEUR	REGLERMUFFE	1		
110	13641-5536-3	CLIP, GOVERNOR	ATTACHE	SHELLE	1		
120	12643-1555-0	TAPPET	POUSSOIR	STOSSEL	2		
130	12643-1601-9	ASSY CAMSHAFT	ENS. ARBRE A CAMES	GRP, NOCKENWELLE	1		
140	12643-1650-0	COMP GEAR, CAMSHAFT	PIGNON, COMPLET	GETRIEBE	1		
150	----	BLANK	BLANC	LEERE SPALTE	-		
160	----	BLANK	BLANC	LEERE SPALTE	-		
170	----	BLANK	BLANC	LEERE SPALTE	-		
180	12643-9523-0	KEY, WOODRUFF	CLAVETTE WOODRUFF	SCHEIBEN-KEIL	1		
190	12643-6627-0	PIN, DECOMP	GOUPILLE	STIFT	1		
200	----	BLANK	BLANC	LEERE SPALTE	-		
210	08103-06204	BEARING, BALL	ROULEMENT A BILLES	KUGELLAGER	1		
220	09500-00026	SEAL, OIL	BAGUE JOINT	DELDICHTUNGSRING	1		
230	13621-1672-0	SHIM, CAMSHAFT	CALE	SCHEIBE, NOCKENWELLE	1		0.20MM
230	13621-1663-0	SHIM, CAMSHAFT	CALE	SCHEIBE, NOCKENWELLE	1		0.25MM
230	13621-1664-0	SHIM, CAMSHAFT	CALE	SCHEIBE, NOCKENWELLE	1		0.30MM
230	13621-1662-0	SHIM, CAMSHAFT	CALE	SCHEIBE, NOCKENWELLE	1		0.35MM
230	13621-1665-0	SHIM, CAMSHAFT	CALE	SCHEIBE, NOCKENWELLE	1		0.40MM
230	13621-1666-0	SHIM, CAMSHAFT	CALE	SCHEIBE, NOCKENWELLE	1		0.45MM
230	13621-1667-0	SHIM, CAMSHAFT	CALE	SCHEIBE, NOCKENWELLE	1		0.50MM
230	13621-1668-0	SHIM, CAMSHAFT	CALE	SCHEIBE, NOCKENWELLE	1		0.55MM

E07

CRANKSHAFT
VILEBREQUIN
KURBELWELLE

B04-R

24 Feb 99



E2121-008-10

Kubota

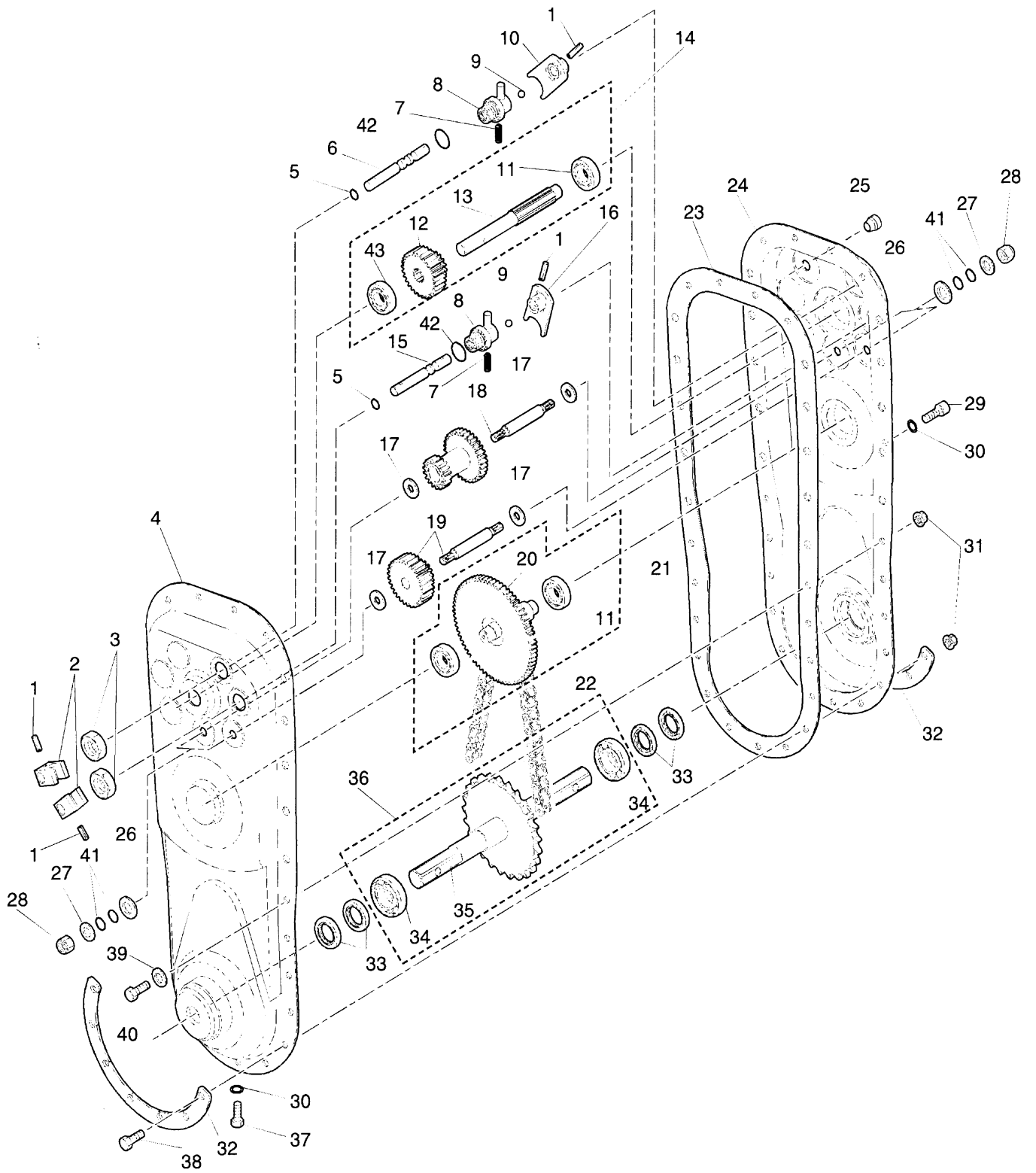
A:GH130-2TS-KE

REF.No. POS.No. BILD-Nr.	PART No. REFERENCE BESTELL-Nr.	PART NAME	DESIGNATION	BEZEICHNUNG	Q'TY/S.No. Q'TE/No.S. STUECK/S.Nr.	I.C.	REMARKS REMARQUES BEMERKUNGEN
					A		
010	E2111-2111-0	PISTON	PISTON	KOLBEN	1		STD
010	E2111-2192-0	PISTON	PISTON	KOLBEN	1		+0.25MM
010	E2111-2191-0	PISTON	PISTON	KOLBEN	1		+0.50MM
020	E2111-2105-0	ASSY PISTON RING	ENS. SEGMENT	GRP. KOLBENRING	1		STD
020	E2111-2110-0	ASSY PISTON RING	ENS. SEGMENT	GRP. KOLBENRING	1		+0.25MM
020	E2111-2109-0	ASSY PISTON RING	ENS. SEGMENT	GRP. KOLBENRING	1		+0.50MM
030	12681-2131-0	PIN, PISTON	AXE DE PISTON	KOLBENBOLZEN	1		
040	13601-2133-0	CIR CLIP, INTERNAL	CIRCLIP	SPRENGRING	2		
050	E2111-2201-0	ASSY ROD, CONNECTING	ENS. BIELLE	TRIEBSTANGE KOMP	1		STD
050	E2111-2205-0	ASSY ROD, CONNECTING	ENS. BIELLE	TRIEBSTANGE KOMP	1		-0.25MM
050	E2111-2206-0	ASSY ROD, CONNECTING	ENS. BIELLE	TRIEBSTANGE KOMP	1		-0.50MM
060	E3111-2214-0	BOLT, CONNECTING ROD	VIS DE BIELLE	BOLZEN	2		
070	E2111-2311-0	CRANKSHAFT	VILEBREQUIN	KURBELWELLE	1		
080	13901-2411-0	GEAR, CRANK	PIGNON	ZAHNRAD	1		
090	05811-00413	KEY, WOODRUFF	CLAVETTE WOODRUFF	SCHEIBEN-KEIL	1		
100	08103-06204	BEARING, BALL	ROULEMENT A BILLES	KUGELLAGER	2		
110	09500-00025	SEAL, OIL	BAGUE JOINT	OELDICHTUNGSRING	1		
120	13621-1672-0	SHIM, CAMSHAFT	CALE	SCHEIBE, NOCKENWELLE	1		0.20MM
120	13621-1663-0	SHIM, CAMSHAFT	CALE	SCHEIBE, NOCKENWELLE	1		0.25MM
120	13621-1664-0	SHIM, CAMSHAFT	CALE	SCHEIBE, NOCKENWELLE	1		0.30MM
120	13621-1662-0	SHIM, CAMSHAFT	CALE	SCHEIBE, NOCKENWELLE	1		0.35MM
120	13621-1665-0	SHIM, CAMSHAFT	CALE	SCHEIBE, NOCKENWELLE	1		0.40MM
120	13621-1666-0	SHIM, CAMSHAFT	CALE	SCHEIBE, NOCKENWELLE	1		0.45MM
120	13621-1667-0	SHIM, CAMSHAFT	CALE	SCHEIBE, NOCKENWELLE	1		0.50MM
120	13621-1668-0	SHIM, CAMSHAFT	CALE	SCHEIBE, NOCKENWELLE	1		0.55MM

K01-1

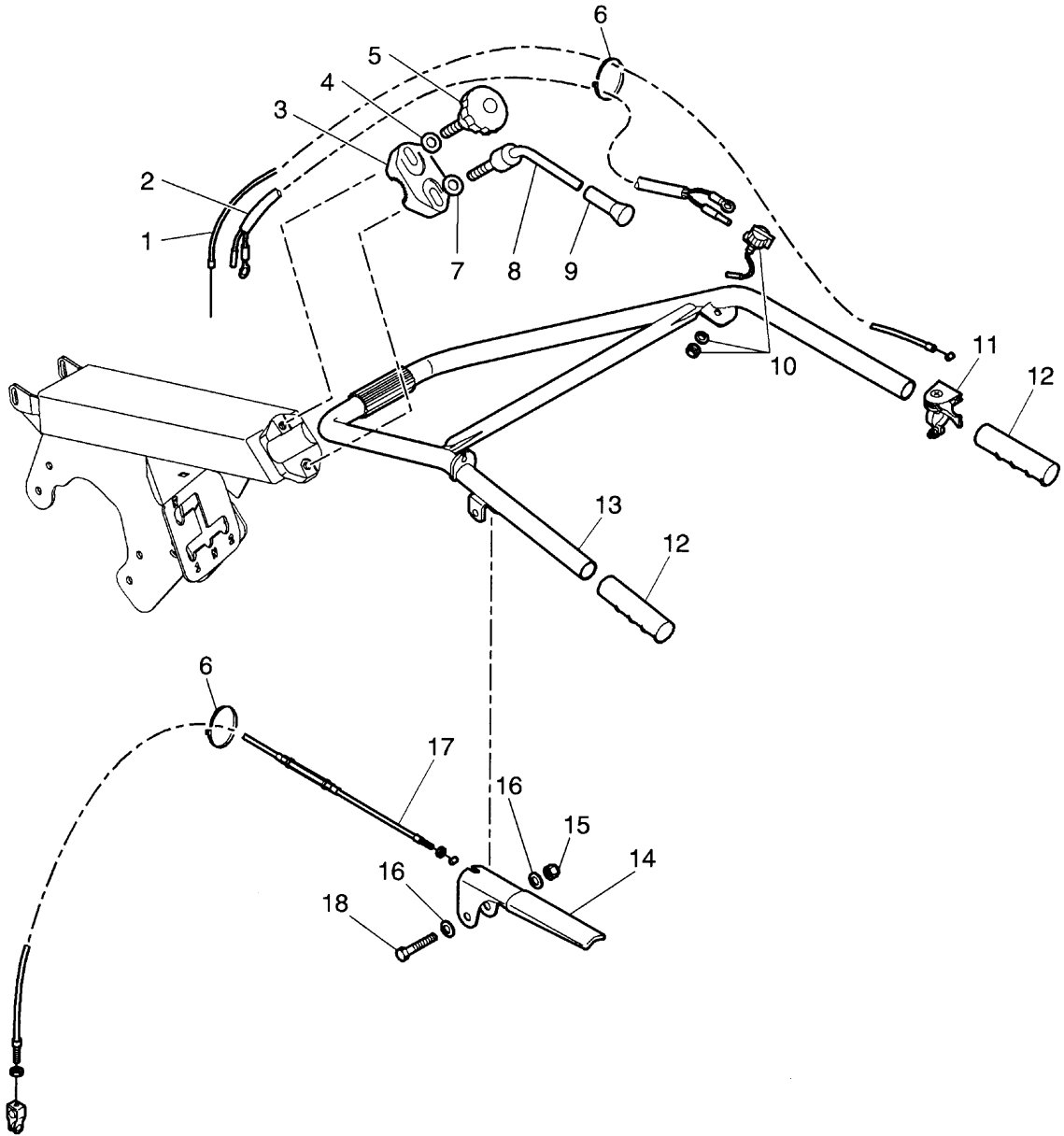
TRANSMISSION TRANSMISSION

C01-L



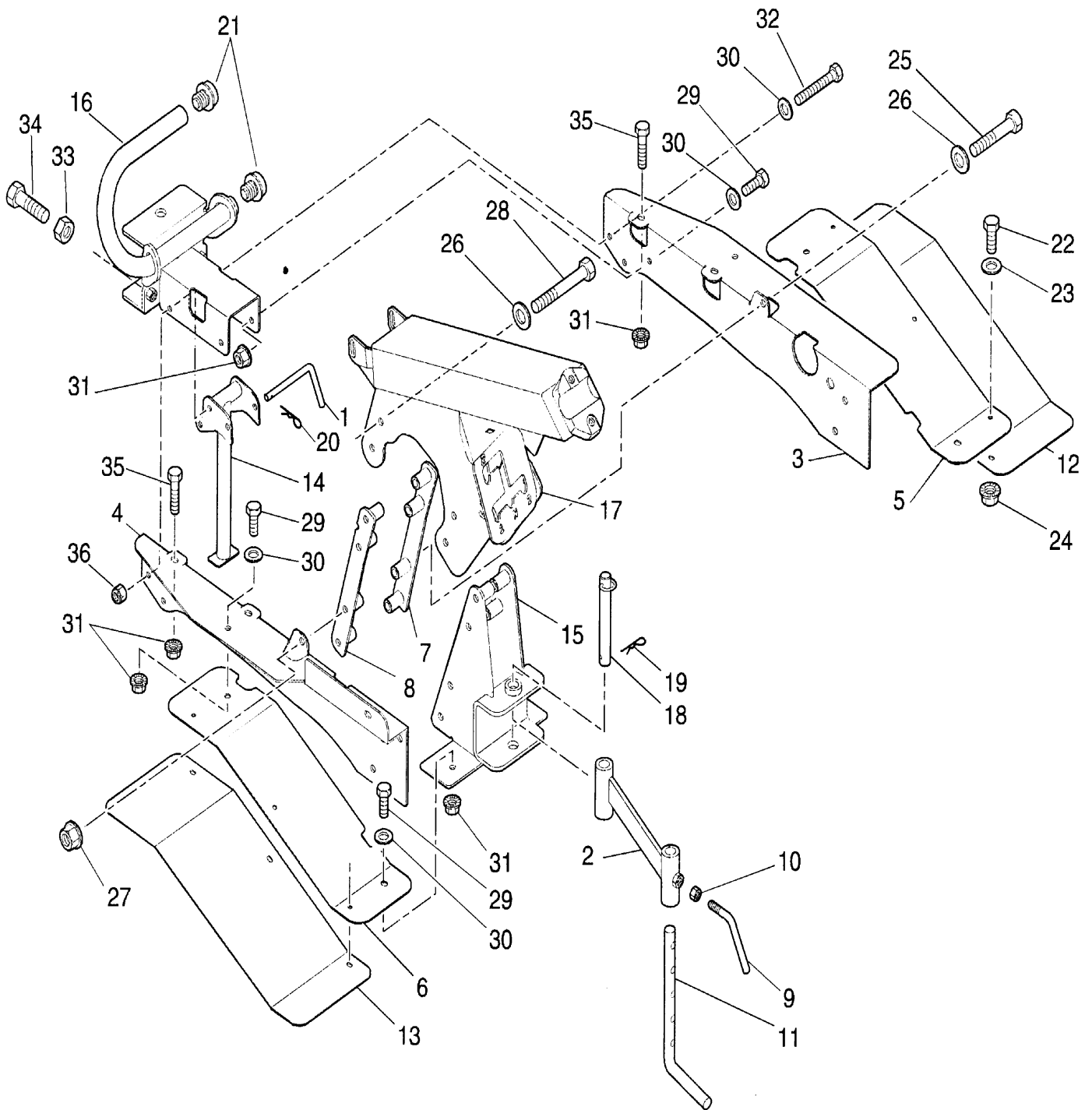
K01-1 HANDLE AND CONTROL GUIDON ET COMMANDE

C02-L



K03-1 HANDLE BRACKET CHASSIS

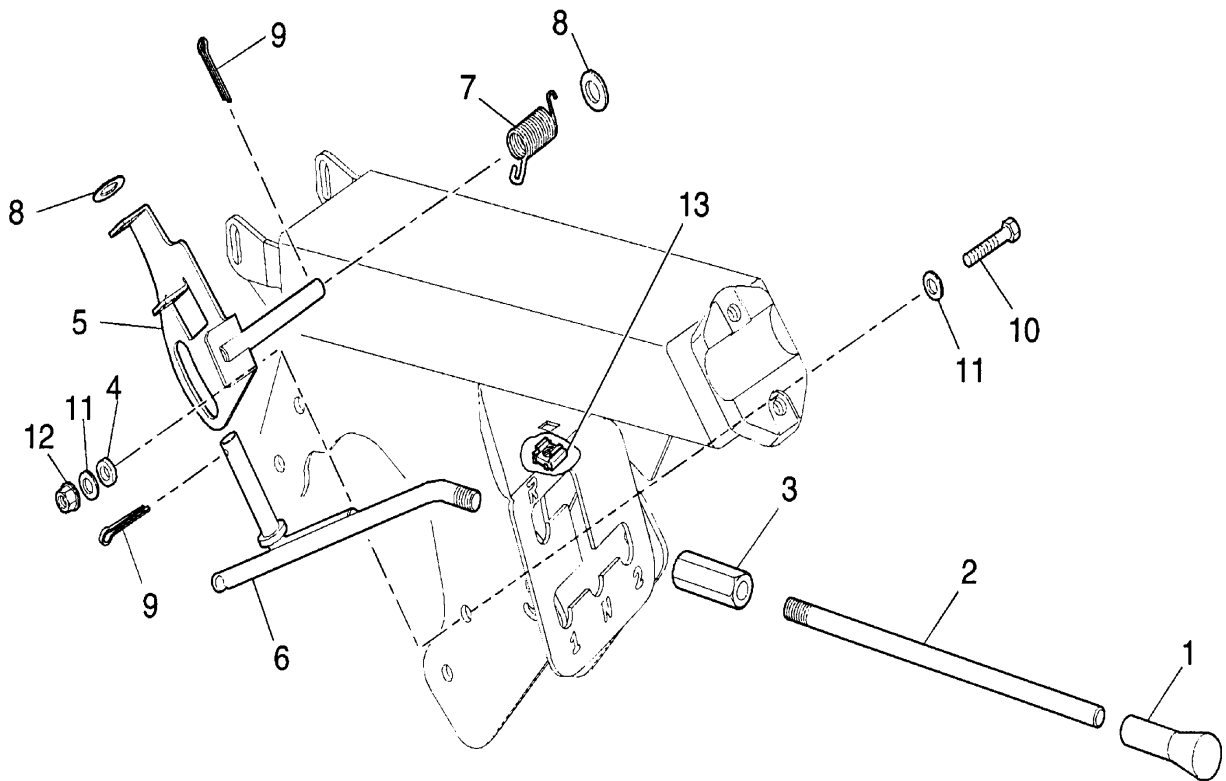
C03-L



K04-1

SPEED CHANGE LEVER CHANGT DE VITESSES

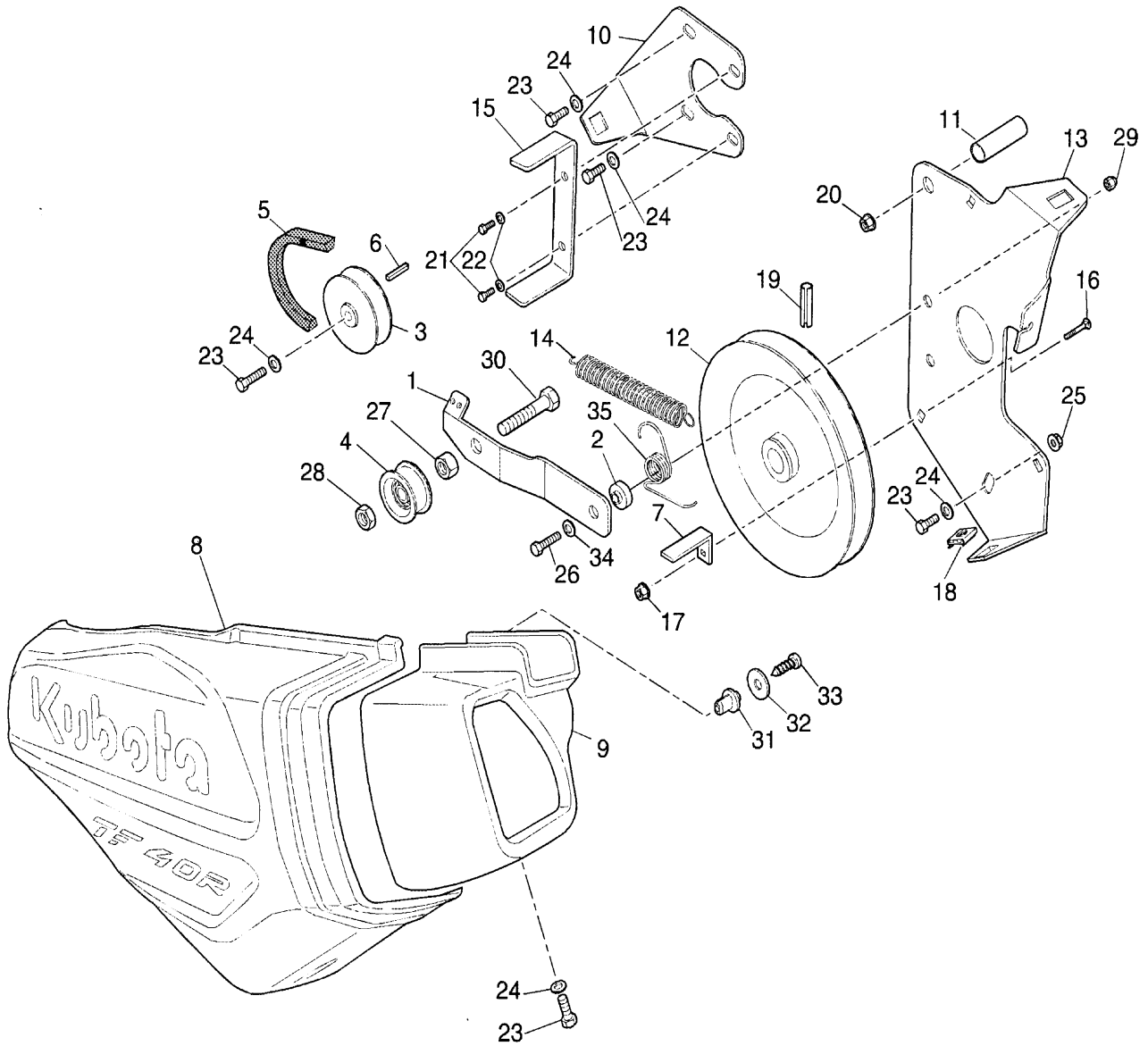
C04-L



K05-1

BELT COVER CARTER DE COURROIES

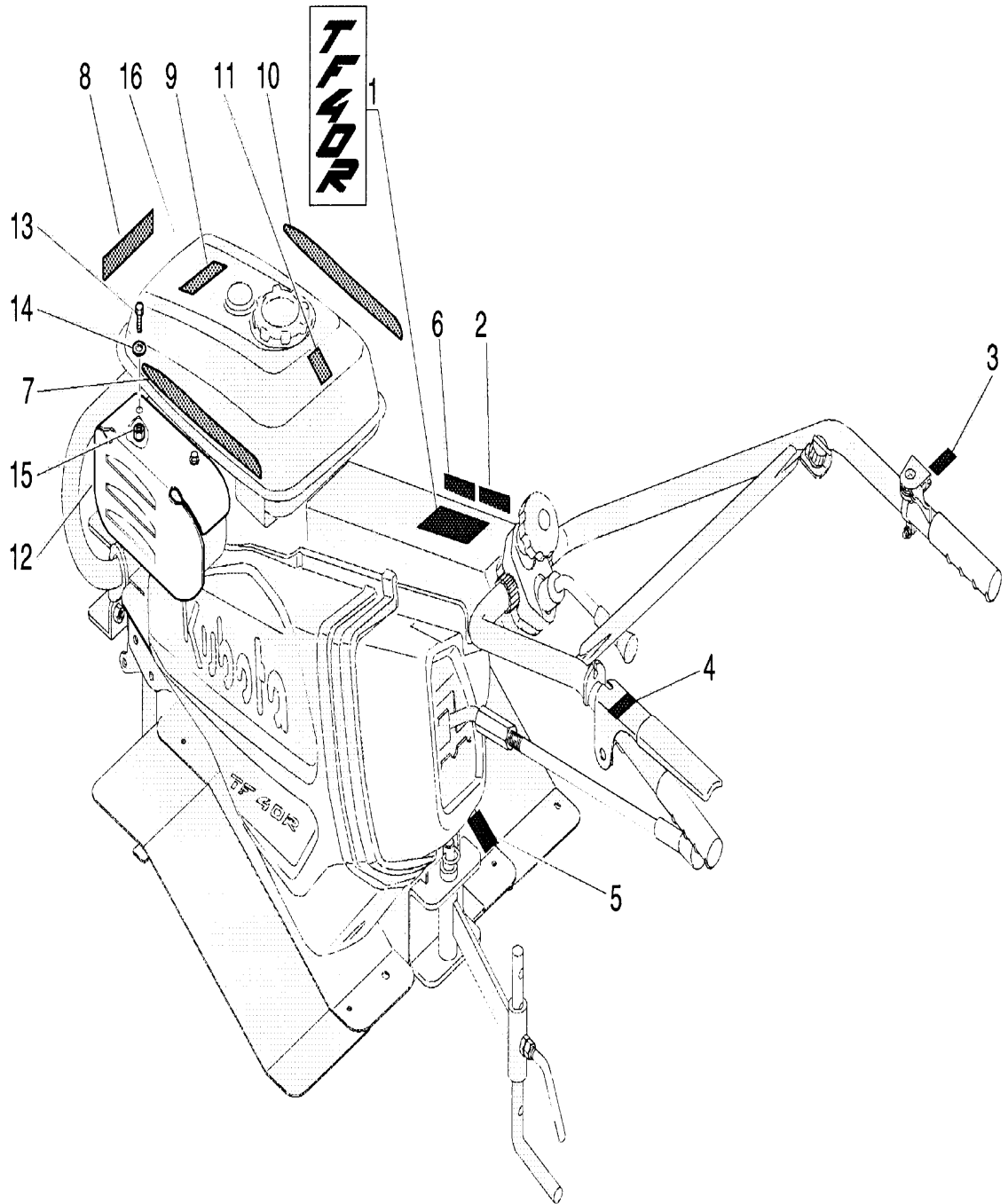
C05-L



K06-1

STICKERS AUTOCOLLANTS

C06-L



S.A.K.E. PARTS DEPARTMENT
P.L.
28 mars 03

Kubota

Kubota

GEANT DES NECESSITES FONDAMENTALES

"La Technologie pour les Besoins de Demain" est l'ambition de chacun CHEZ KUBOTA. A travers la recherche et le développement de nouveaux produits pour l'Agriculture, l'Industrie, la Construction et plusieurs autres domaines de la vie moderne, Nous KUBOTA, espérons atteindre ce but.

THE BASIC NECESSITIES GIANT

"Technology for the Needs of Tomorrow" is the ambition of everyone at KUBOTA. Through research and the development of new products for agriculture, industry, construction, and many other areas of modern life, we at Kubota hope to realize this goal.

IMPRIME EN FRANCE
PRINTED IN FRANCE