

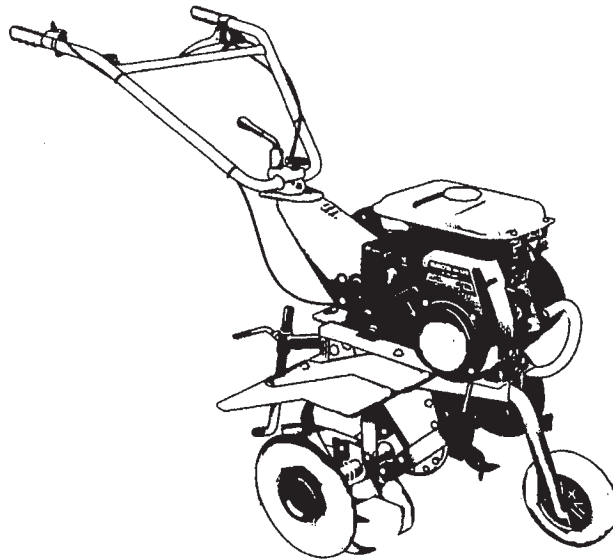
**ILLUSTRATED PARTS LIST
LISTE DES PIÉCES**

Kubota

**MODEL
MODELE**

T450/850

**POWER TILLER
MOTOCULTEUR**



EUROPE

Kubota

97898-40340

7. This Parts List covers the tillers of the following models. Those tillers are mounted with an engine of the model described in the right column. In the lists, the tillers and their engines are identified by the names described in the table below.

No.	Power Tiller			Engine	
	Model Name	Model Code	Name in the List	Model Name and Name in the List	Model Code
1	T450-France	61341-00100	T450-FR	GS160-TS	13934-00000
2	T550-France	61351-10100	T550-FR	GS160-TS	13934-00000
3	T650-France	61361-10100	T650-FR	GS200-TS	13954-00000
4	T750-France	62581-10100	T750-FR	GS200-TS	13954-00000
5	T850-France	62331-00100	T850-FR	GS280-TS	13382-00000
6	T450-West Germany	61344-00100	T450-WG	GS160-TS2	13939-00000
7	T550-West Germany	61354-00100	T550-WG	GS160-TS2	13939-00000
8	T650-West Germany	61364-00100	T650-WG	GS200-TS2	13959-00000
9	T750-West Germany	62583-00100	T750-WG	GS200-TS2	13959-00000
10	T850-West Germany	62332-00100	T850-WG	GS280-TS2	13389-00000
11	T450-Spain	61348-00100	T450-SP	GS160-TS-3	12336-00000
12	T550-Spain	61358-10100	T550-SP	GS160-TS-3	12336-00000
13	T450-United Kingdom	61346-00100	T450-UK	GS160-TS	13934-00000
14	T450-Switzerland	61343-00100	T450-SW	GS160-TS	13934-00000
15	T450-D-France	61451-00100	T450-D-FR	GS160-TS	13934-00000
16	T550-D-France	61461-10100	T550-D-FR	GS160-TS	13934-00000
17	T650-D-France	61471-10100	T650-D-FR	GS200-TS	13954-00000
18	T750-D-France	62681-10100	T750-D-FR	GS200-TS	13954-00000
19	T850-D-France	62691-10100	T850-D-FR	GS280-TS	13382-00000
20	T450-D-West Germany	61456-00100	T450-D-WG	GS160-TS2	13939-00000
21	T550-D-West Germany	61466-10100	T550-D-WG	GS160-TS2	13939-00000
22	T650-D-West Germany	61476-10100	T650-D-WG	GS200-TS2	13959-00000
23	T750-D-West Germany	62686-10100	T750-D-WG	GS200-TS2	13959-00000
24	T850-D-West Germany	62696-10100	T850-D-WG	GS280-TS2	13389-00000
25	T450-D-Hong Kong	61454-10100	T450-D-HK	GS160-TS	13934-00000
26	T550-D-Hong Kong	61464-10100	T550-D-HO	GS160-TS	13934-00000
27	T650-D-Hong Kong	61474-10100	T650-D-HO	GS200-TS	13954-00000
28	T750-D-Hong Kong	62684-10100	T750-D-HO	GS200-TS	13954-00000
29	T450-D-Spain	61452-00100	T450-D-SP	GS160-TS-3	12336-00000
30	T550-D-Spain	61462-10100	T550-D-SP	GS160-TS-3	12336-00000
31	T450-D-Malaysia	61457-10100	T450-D-MA	GS160-TS	13934-00000
32	T650-D-Malaysia	61477-10100	T650-D-MA	GS200-TS	13954-00000
33	T450-D-United Kingdom	61458-00100	T450-D-UK	GS160-TS	13934-00000
34	T450-D-Switzerland	61455-00100	T450-D-SW	GS160-TS	13934-00000
35	T450-D-Finland	61453-00100	T450-D-FI	GS160-TS-Finland(FI)	12335-00000

8. When ordering any parts that belong to the group or unit "TRANSMISSION CASE", refer to the "Precautions When Ordering Parts due to Design Modification".

1) TRANSMISSION CASE. . L. No. E01 (T450-FR., T550-FR., T650-FR.)

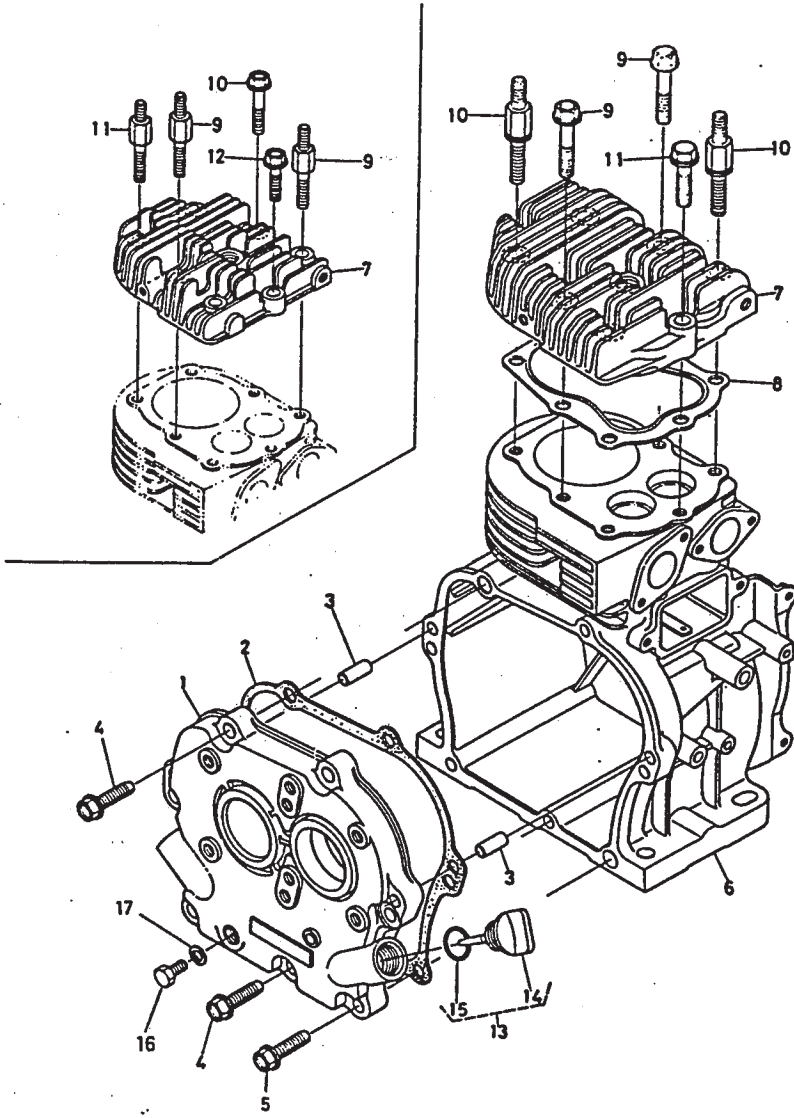
L. No. E13 (T750-FR., T850-FR.)

FIG.1

CYLINDRE
CYLINDER
ZYLINDER

[GS160]
[GS200]
[GS280]

GS160



B04-L

FIG.2

CLAPET
BREATHER
GASWECHSELVENTILE

[GS160]
[GS200]
[GS280]

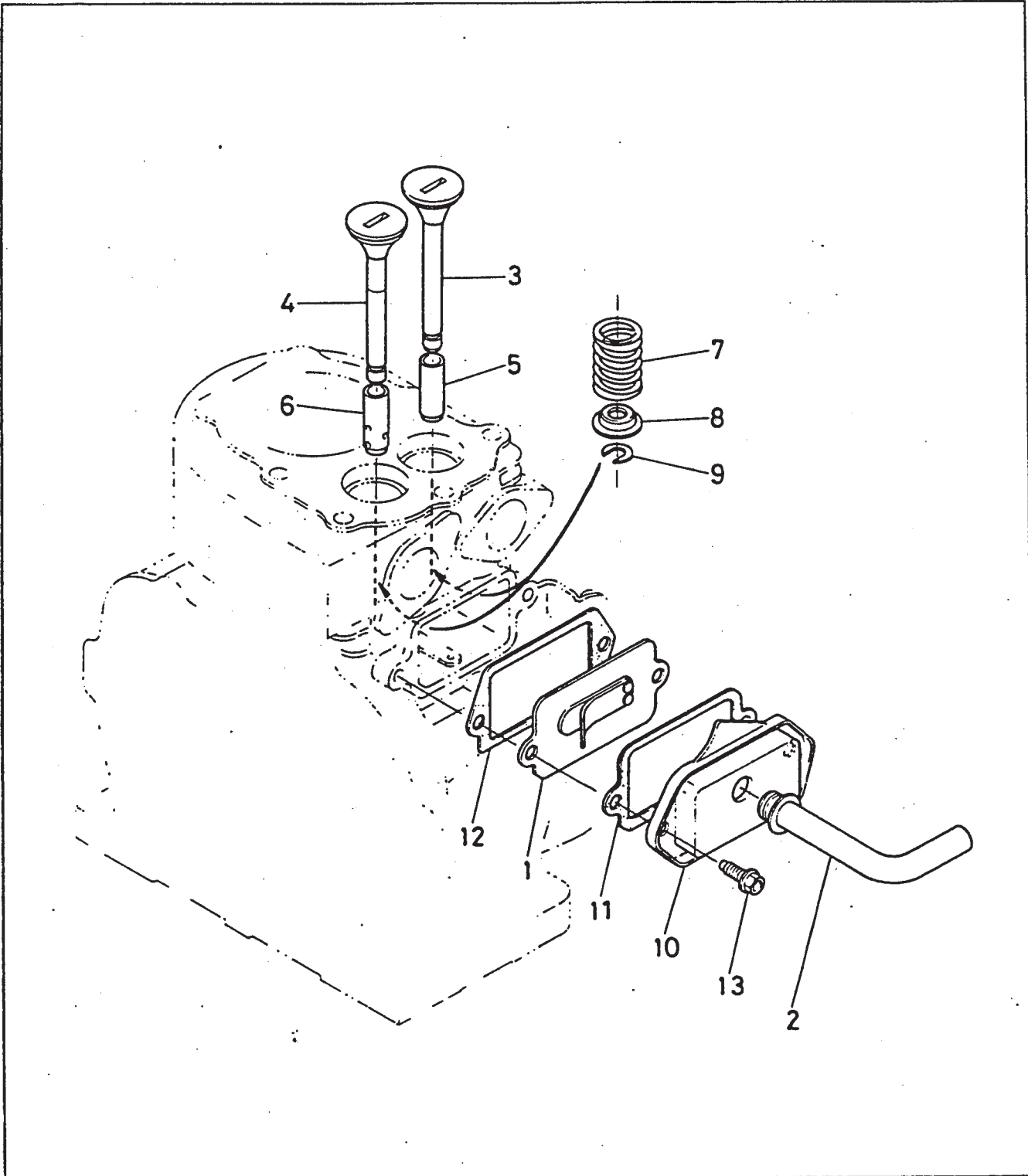
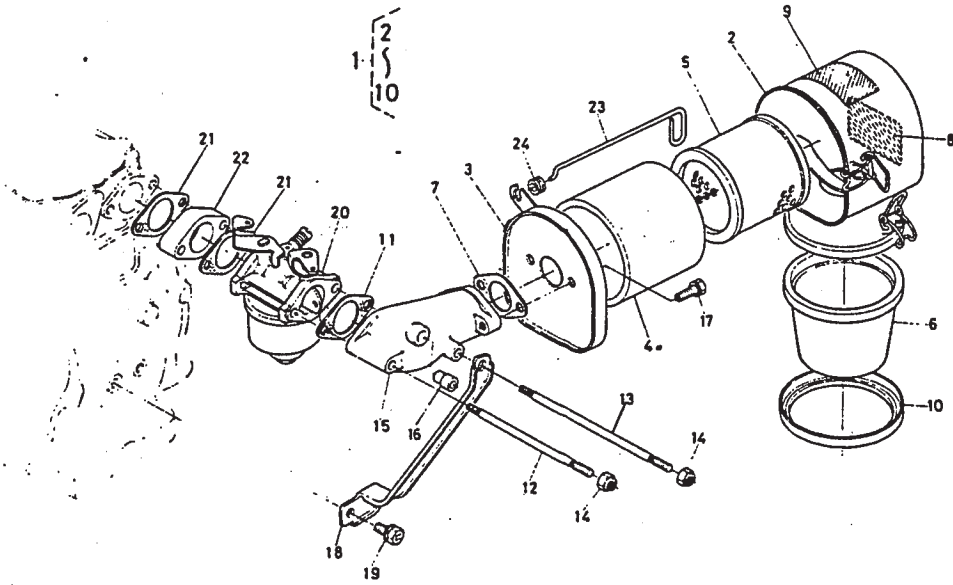


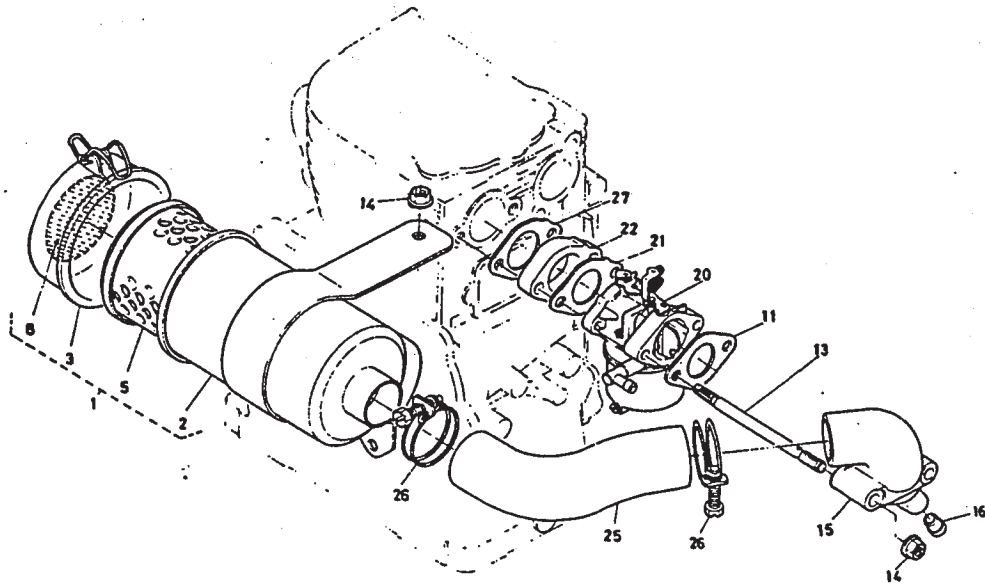
FIG.3

FILTRE A AIR
AIR CLEANER
LUFTFILTER

[GS160]
[GS200]
[GS280]



[GS160]
[GS200]

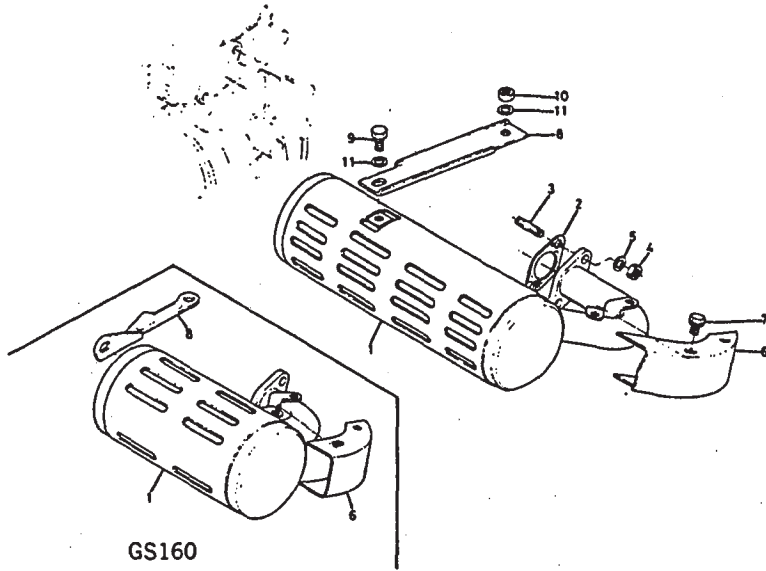


[GS280]

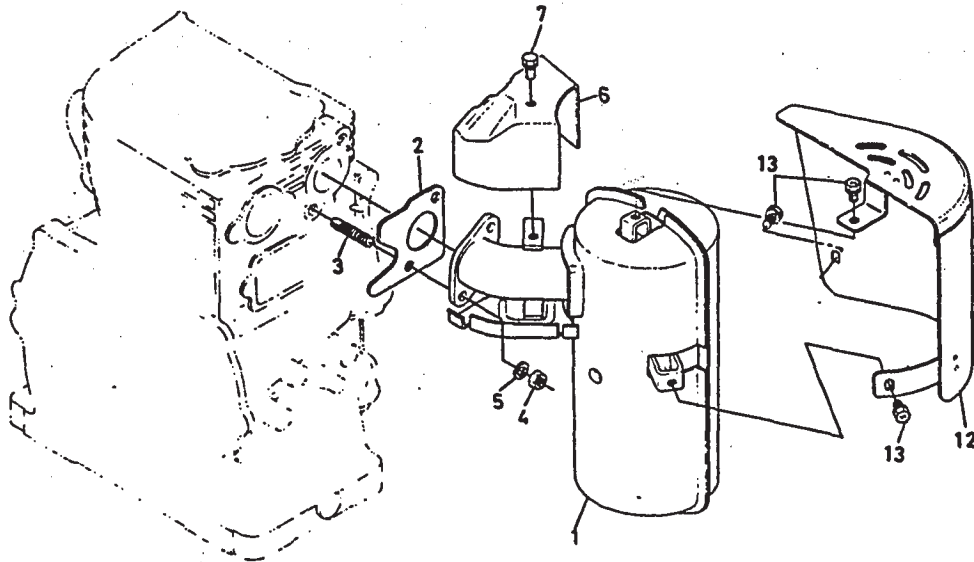
FIG.4

SILENCIEUX
MUFFLER
AUSPUFFTOPF

[GS160]
[GS200]
[GS280]



[GS160]
[GS200]

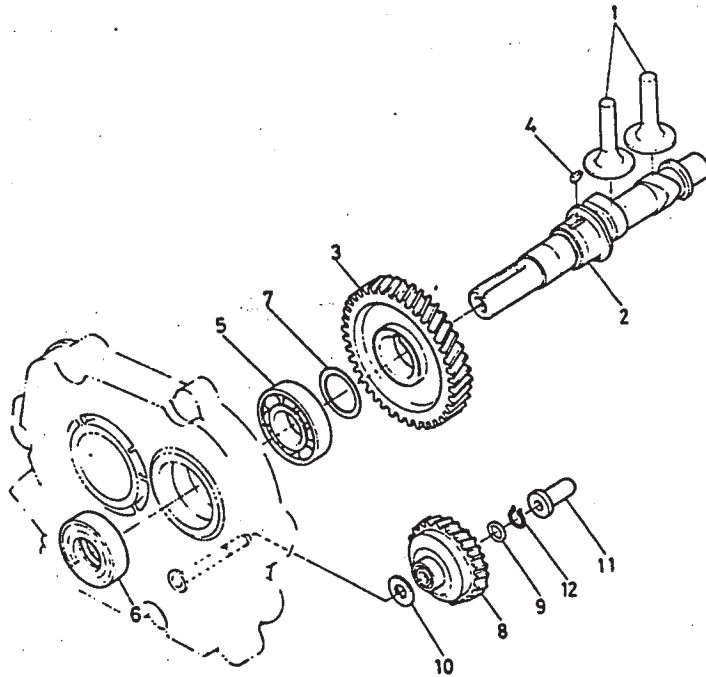


[GS280]

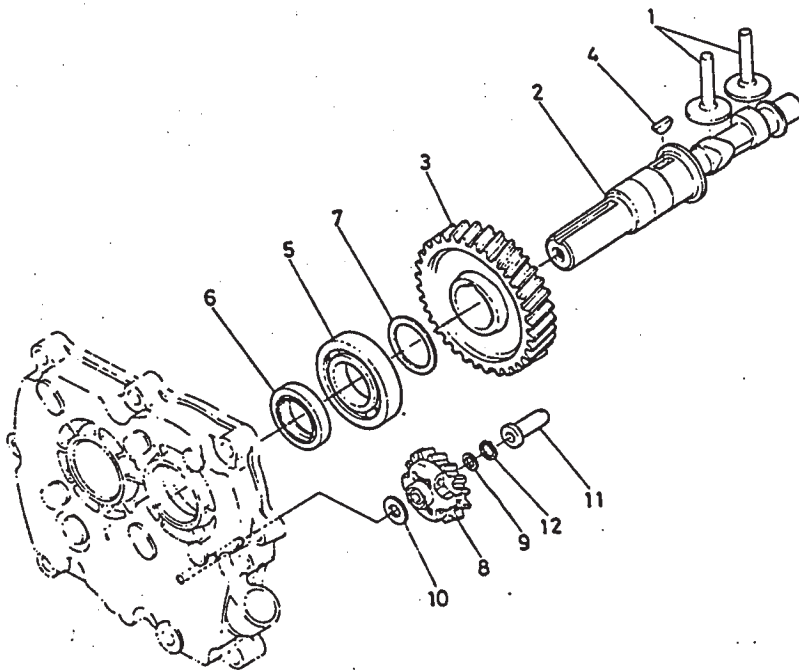
FIG.5

ARBRE A CAME
CAMSHAFT
NOCKENWELLE

[GS160]
[GS200]
[GS280]



[GS160]
[GS200]



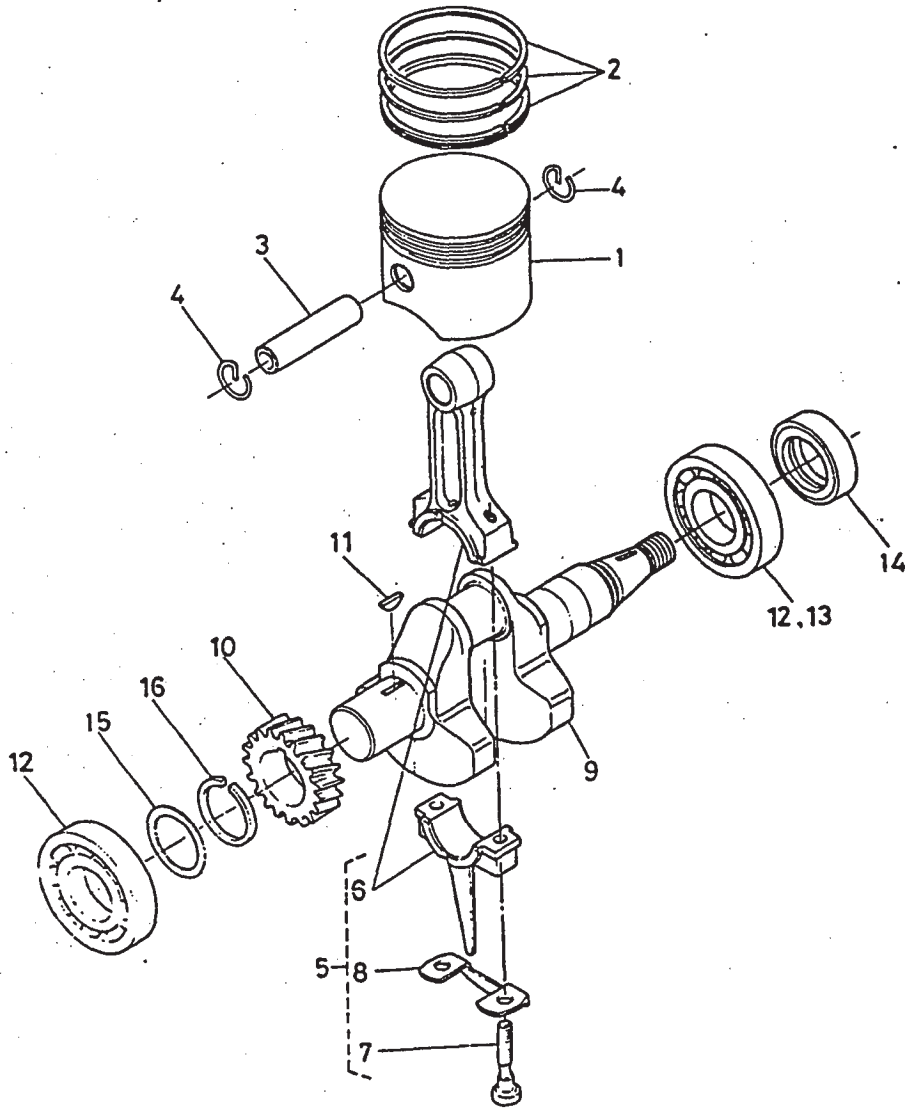
[GS280]

C01-L

FIG.6

VILEBREQUIN
CRANKSHAFT
KURBELWELLE

[GS160]
[GS200]
[GS280]



C05-L

FIG.7

FILTRE ET ROBINET ESSENCE
FUEL FILTER
KRAFTSTOFFFILTER

{ ~70000
~65000 (WG) }

[GS160]
[GS200]
[GS280]

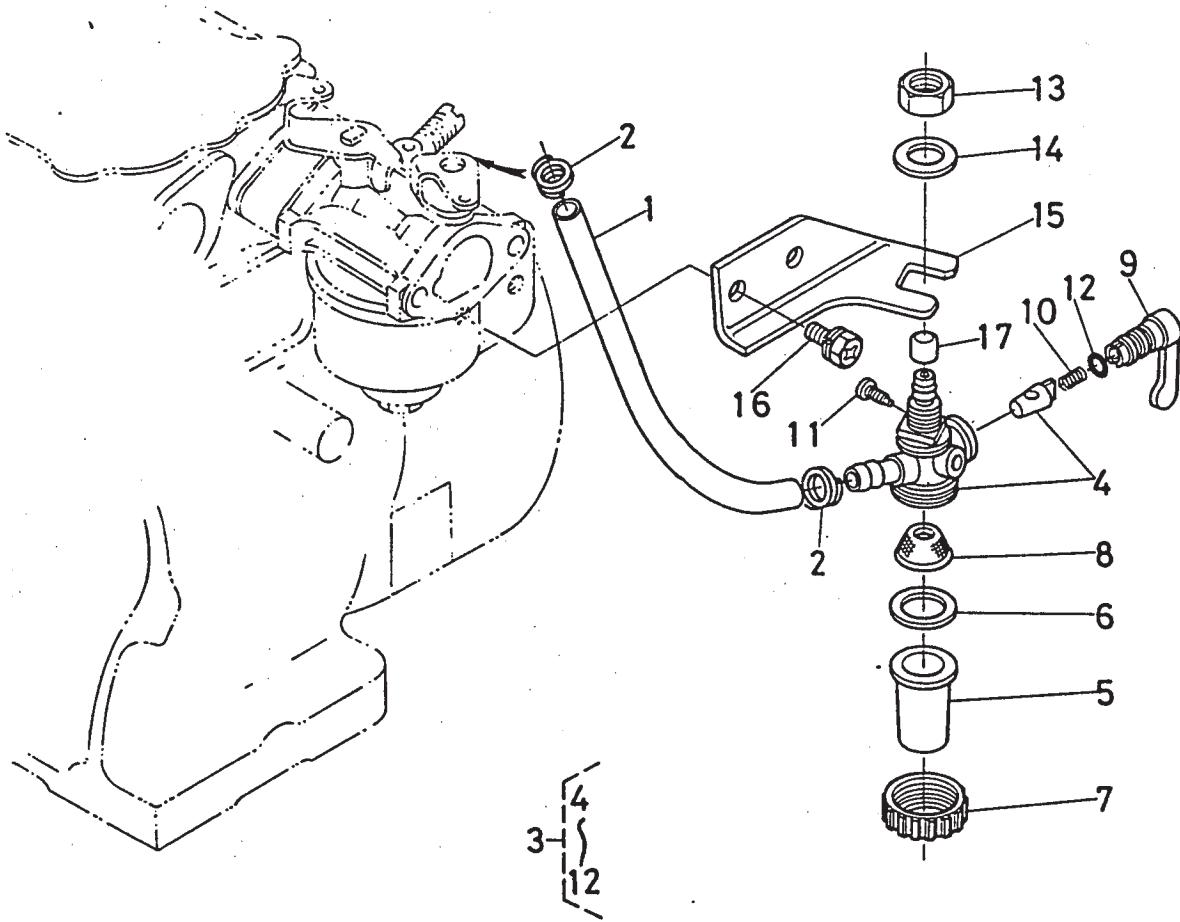
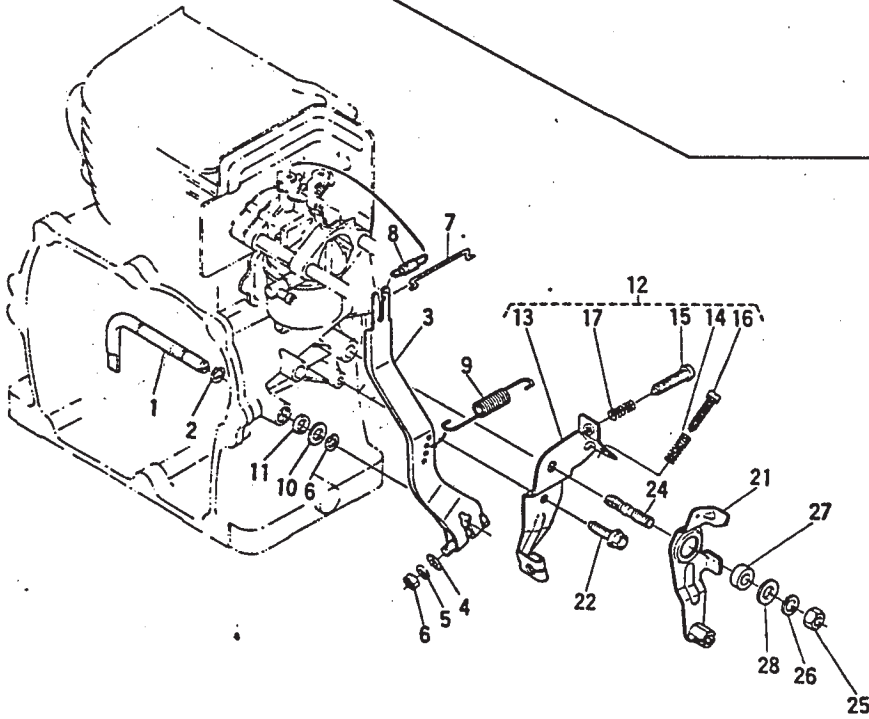
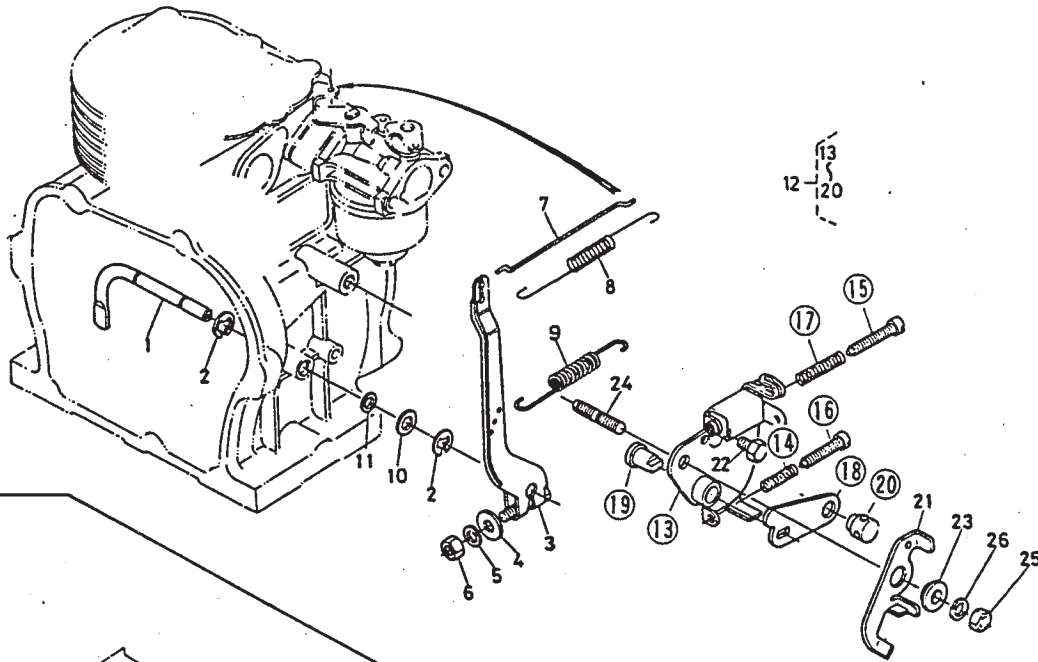


FIG.8

REGULATEUR LEVIER
GOVERNOR LEVER
REGLERHEBEL

[GS160]
[GS200]
[GS280]

[GS160]
[GS200]

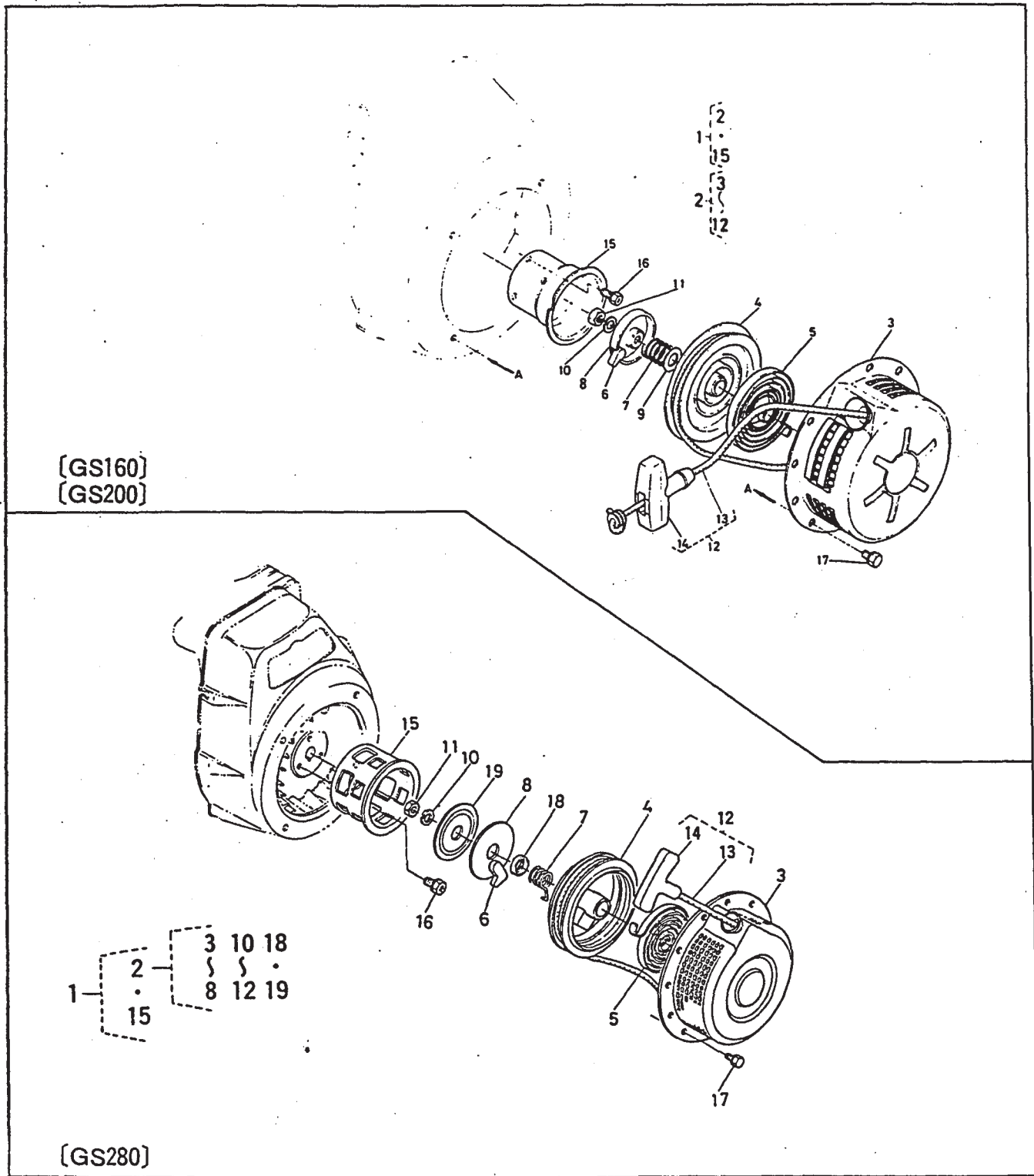


[GS280]

FIG.9

LANCEUR
RECOIL STARTER
HANDSTARTER

[GS160]
[GS200]
[GS280]



2
1
15
3
2
12

1 - 2
3 10 18
5 5
8 12 19
15

FIG.10

VOLANT MAGNETIQUE
- MAGNETO
ZÜNDUNGS-BAUGRUPPE.

[GS160]
[GS200]
[GS280]

GS160TS

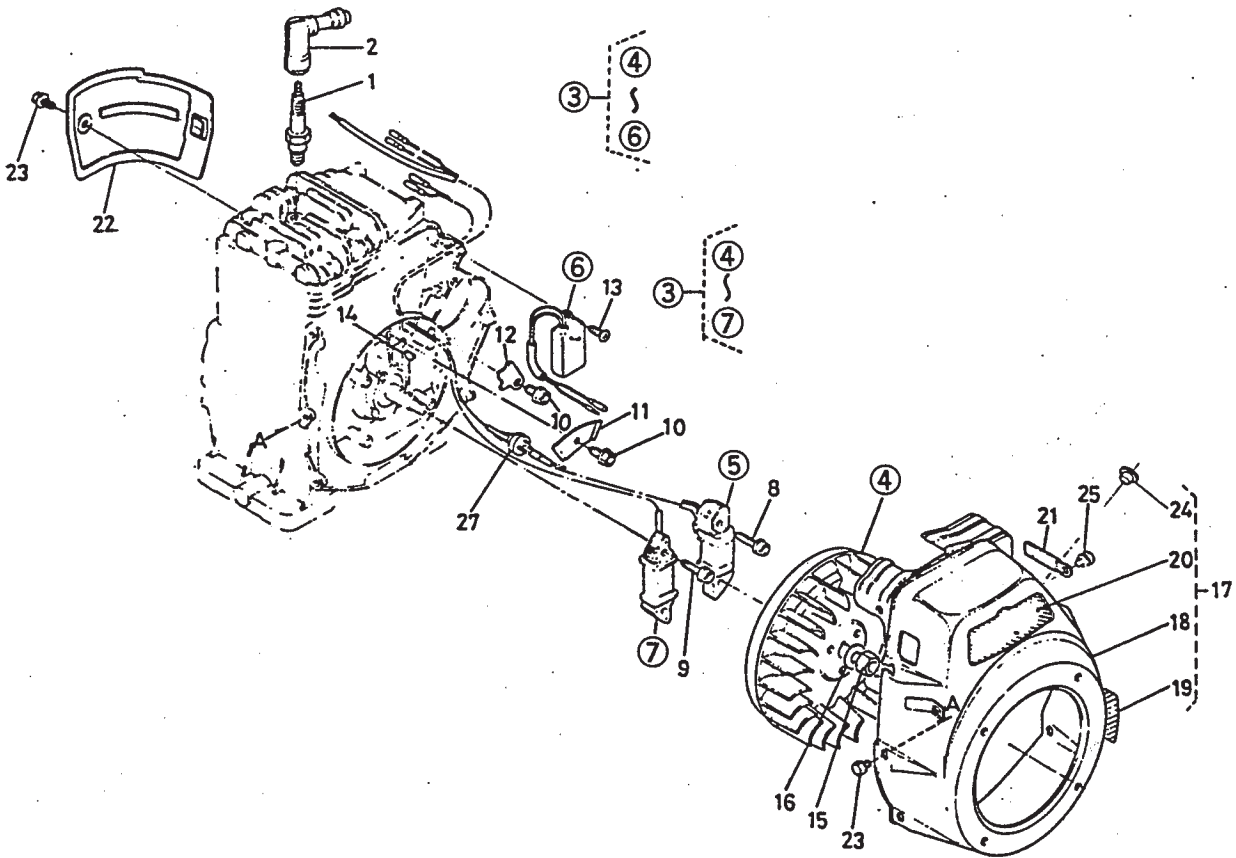


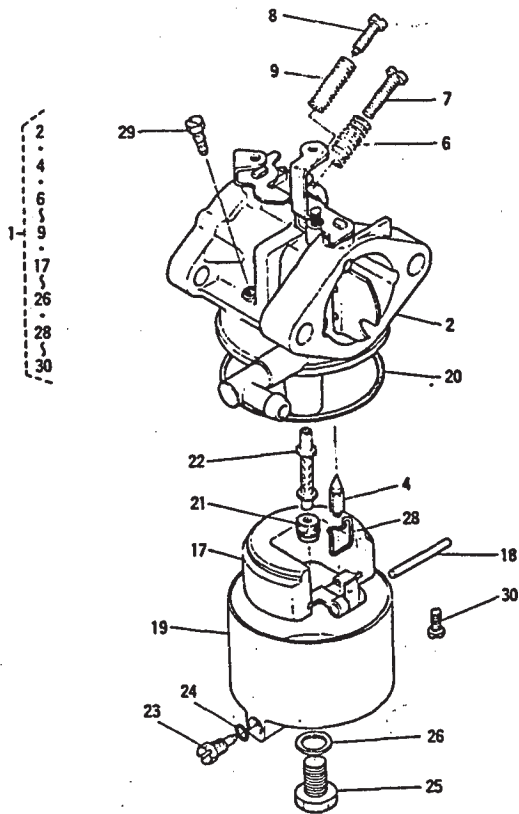
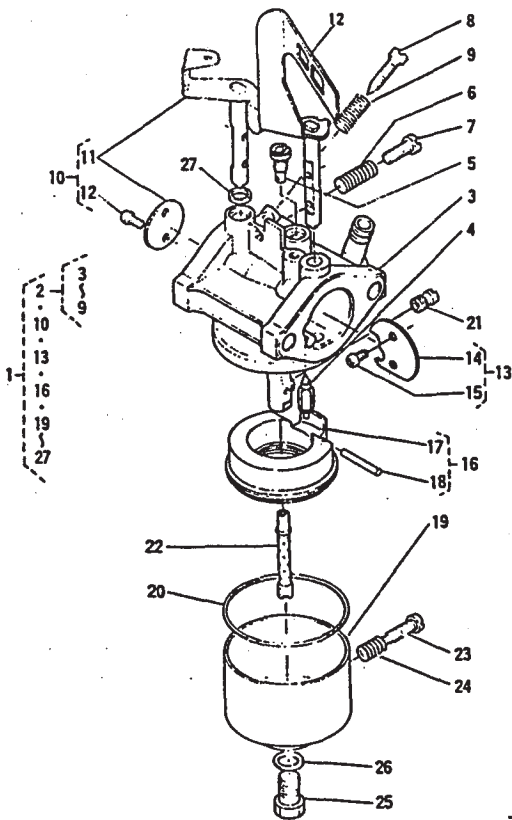
FIG.11

CARBURATEUR
CARBURETTOR
VERGASER

[GS160]
[GS200]
[GS280]

GS160
GS200

GS280



REF No., TEIL Nr.

- ① 13382-4401-4
- ② 13382-4411-2
- ③ 13963-4412-3
- ④ 13382-4420-2
- ⑤ 13961-4427-2

Changement
de matériel
Change of material
Veränderlincher
material

E13-L

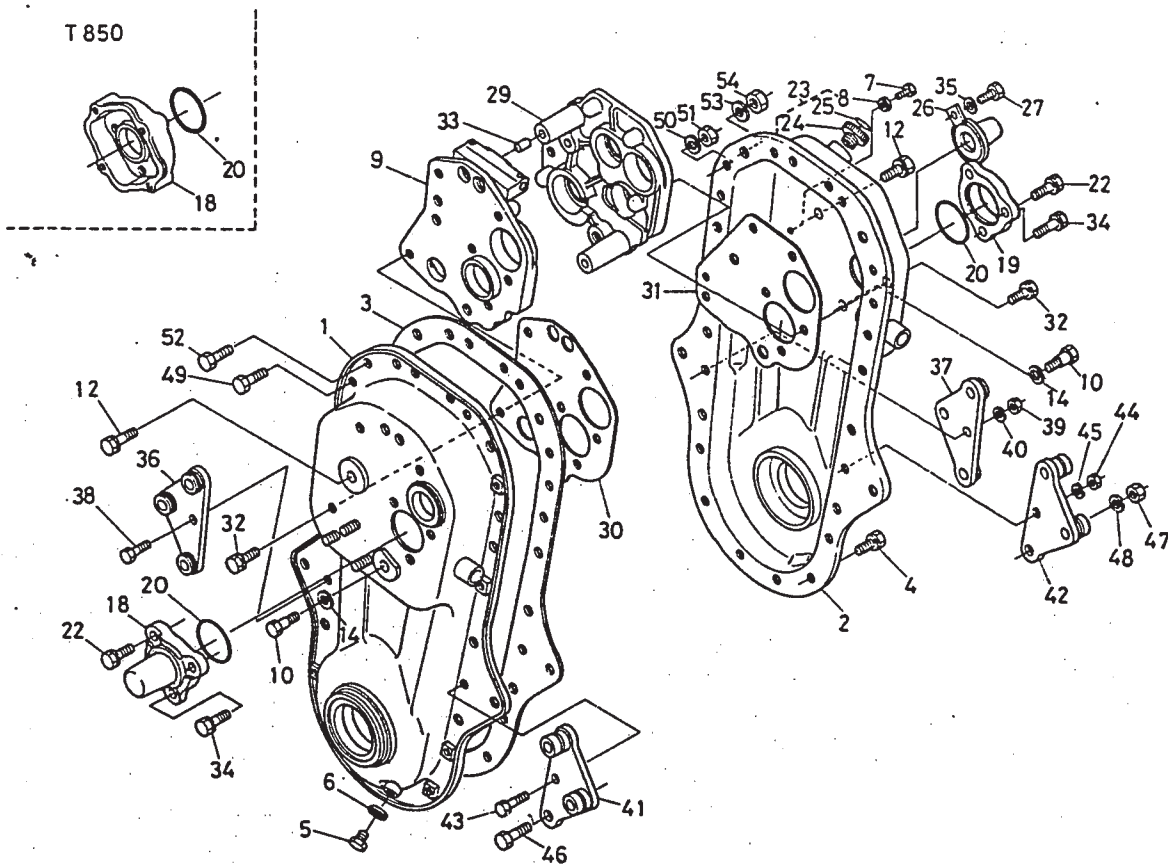
FIG.1

BOITE DE VITESSES
TRANSMISSION CASE
GETRIEBEGEHÄUSE

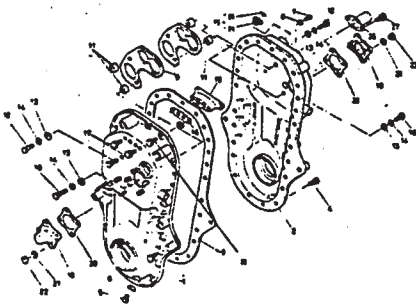
(VIEUX TYPE)
(OLD TYPE)
(ALTER TYP)

[~70000
~65000(WG)]

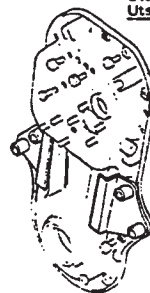
[T750)
(T850)]



REF. No.	TEIL Nr.	REF. No.	TEIL Nr.
①	62571-1111-0	⑬	61321-1811-0
②	62571-1112-0	⑭	61321-1815-0
③	62571-1113-0	⑮	01120-50818
④	01120-50814	⑯	62571-1117-0
⑤	06331-35010	⑰	62571-1118-0
⑥	04717-01000	⑱	62571-1119-0
⑦	01050-50610	⑲	04512-50080
⑧	04717-00600	⑳	02114-50080
⑨	62571-1114-0	㉑	62571-1120-0
⑩	62571-1115-0	㉒	61321-1116-0
⑪	62571-1116-0	㉓	62571-4713-0
⑫	01150-50825	㉔	62271-1121-0
⑬	62571-1333-0	㉕	01202-50610
⑭	04512-50080	㉖	01130-51016

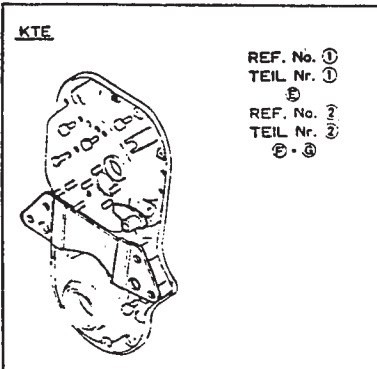


KUBOTA
Utsunomiya Usine
Utsunomiya Factory
Utsunomiya Fabrik



REF. No.	TEIL Nr.
①	①
②	②
③	③
④	④
⑤	⑤
⑥	⑥
⑦	⑦
⑧	⑧
⑨	⑨
⑩	⑩
⑪	⑪
⑫	⑫
⑬	⑬
⑭	⑭
⑮	⑮
⑯	⑯
⑰	⑰
⑱	⑱
⑲	⑲
⑳	⑳
㉑	㉑
㉒	㉒
㉓	㉓
㉔	㉔
㉕	㉕
㉖	㉖

T750-FR., T850-FR.



REF. No.	TEIL Nr.
①	①
②	②
③	③
④	④
⑤	⑤
⑥	⑥
⑦	⑦
⑧	⑧
⑨	⑨
⑩	⑩
⑪	⑪
⑫	⑫
⑬	⑬
⑭	⑭
⑮	⑮
⑯	⑯
⑰	⑰
⑱	⑱
⑲	⑲
⑳	⑳
㉑	㉑
㉒	㉒
㉓	㉓
㉔	㉔
㉕	㉕
㉖	㉖

NUMÉRO DE SÉRIE
SERIAL No.
SERIAL-Nr.

①	①	①	①	①	①
②	②	②	②	②	②
③	③	③	③	③	③
④	④	④	④	④	④
⑤	⑤	⑤	⑤	⑤	⑤
⑥	⑥	⑥	⑥	⑥	⑥
⑦	⑦	⑦	⑦	⑦	⑦
⑧	⑧	⑧	⑧	⑧	⑧
⑨	⑨	⑨	⑨	⑨	⑨
⑩	⑩	⑩	⑩	⑩	⑩
⑪	⑪	⑪	⑪	⑪	⑪
⑫	⑫	⑫	⑫	⑫	⑫
⑬	⑬	⑬	⑬	⑬	⑬
⑭	⑭	⑭	⑭	⑭	⑭
⑮	⑮	⑮	⑮	⑮	⑮
⑯	⑯	⑯	⑯	⑯	⑯
⑰	⑰	⑰	⑰	⑰	⑰
⑱	⑱	⑱	⑱	⑱	⑱
⑲	⑲	⑲	⑲	⑲	⑲
⑳	⑳	⑳	⑳	⑳	⑳
㉑	㉑	㉑	㉑	㉑	㉑
㉒	㉒	㉒	㉒	㉒	㉒
㉓	㉓	㉓	㉓	㉓	㉓
㉔	㉔	㉔	㉔	㉔	㉔
㉕	㉕	㉕	㉕	㉕	㉕
㉖	㉖	㉖	㉖	㉖	㉖

50000~		50000~			
T750	T850	T750	T850	T750	T850
1	3	11	13		
17	34	16	19		
97	107	25	33	46	9
117	123	46	57	84	41
134	145	62	73	147	82
193	243	96	118	180	138
244	247	125	126	185	185
		128	174	211	188
		190		222	

FIG.1

BOITE DE VITESSES
TRANSMISSION CASE
GETRIEBEGEHAUSE

(NEUF TYPE)
(NEW TYPE)
(NEUER TYP)

[70001~
65001 (WG)~]

[T750-D]
[T850-D]

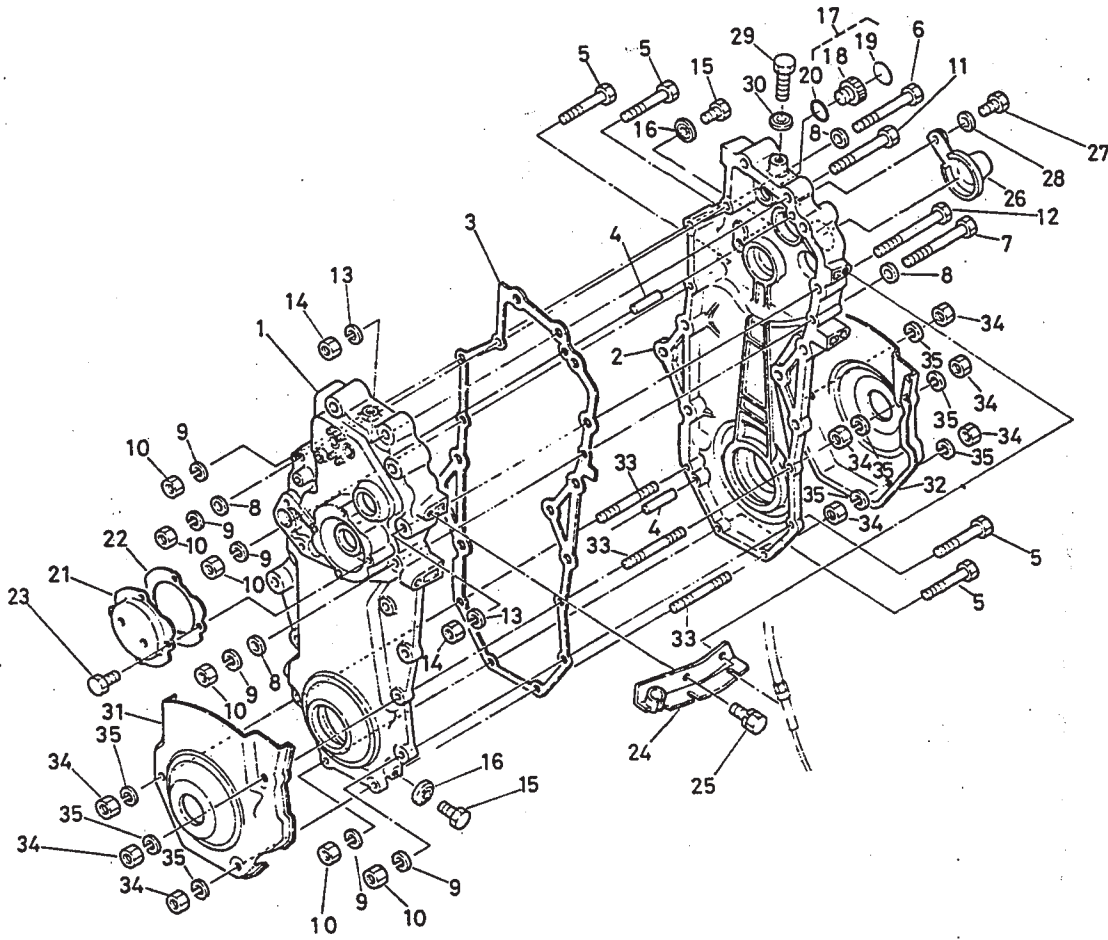
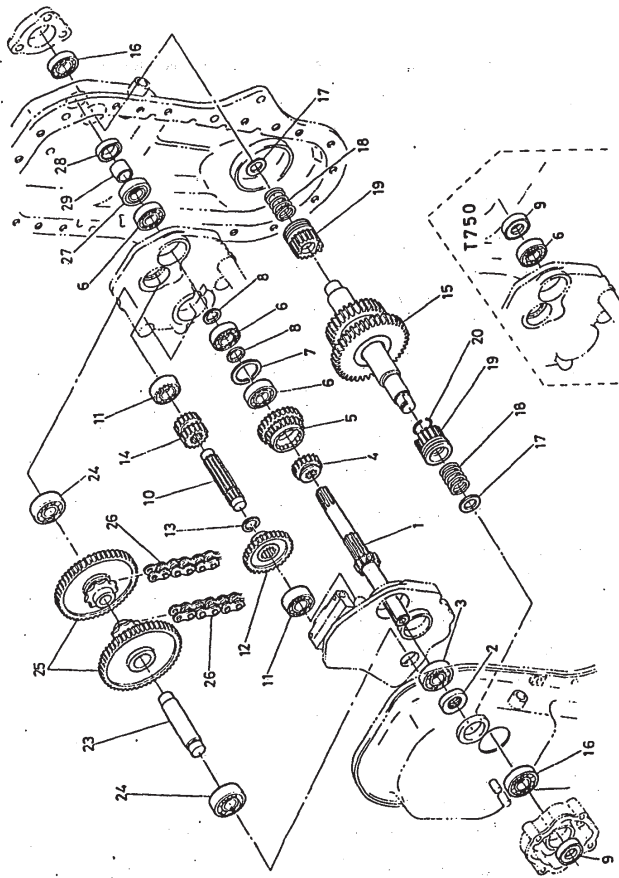


FIG.3 INTERIEUR DE LA BOITE DE VITESSES
TRANSMISSION-INSIDE
GETRIEBE, INNENTEILE

(T750(-D))
(T850(-D))



- REF. No., TEIL Nr.
- ① 62571 - 1411 - 0
 - ② 62571 - 1412 - 0
 - ③ 62571 - 1413 - 0
 - ④ 62571 - 1421 - 0
 - ⑤ 08151 - 06203

- ⑥ 62571 - 1423 - 0
- ⑦ 62571 - 1431 - 0
- ⑧ 62071 - 1444 - 0
- ⑨ 62571 - 1432 - 0
- ⑩ 62571 - 1433 - 0

- REF. No., TEIL Nr.
- ⑪ 62571 - 1431 - 2
 - ⑫ 62081 - 1429 - 0
 - ⑬ 62571 - 1433 - 0
 - ⑭ 2705912 - 00516

