



LF188F (13HP)

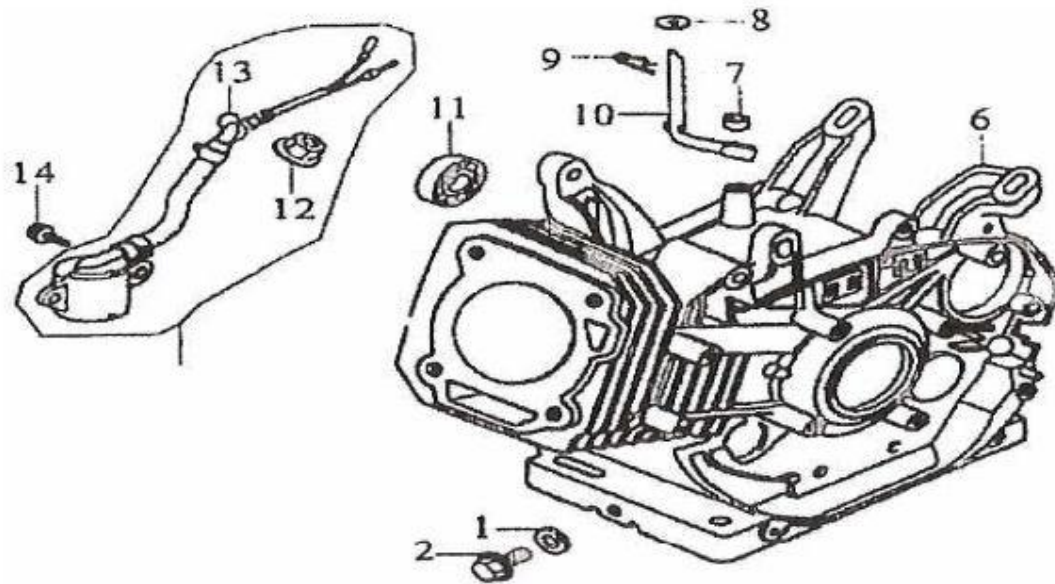
PARTS BREAKDOWN
&
ASSEMBLY DIAGRAM

Stout Racing Engines

www.StoutRacingEngines.com

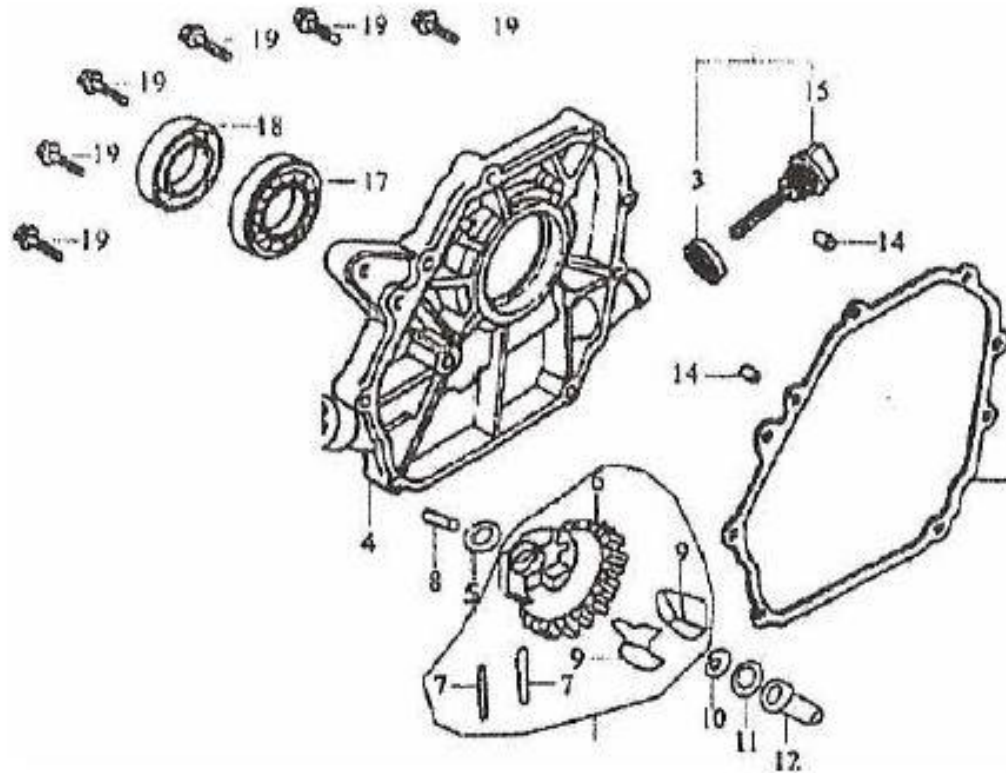
(423) 715-3897

E-1 CRANKCASE



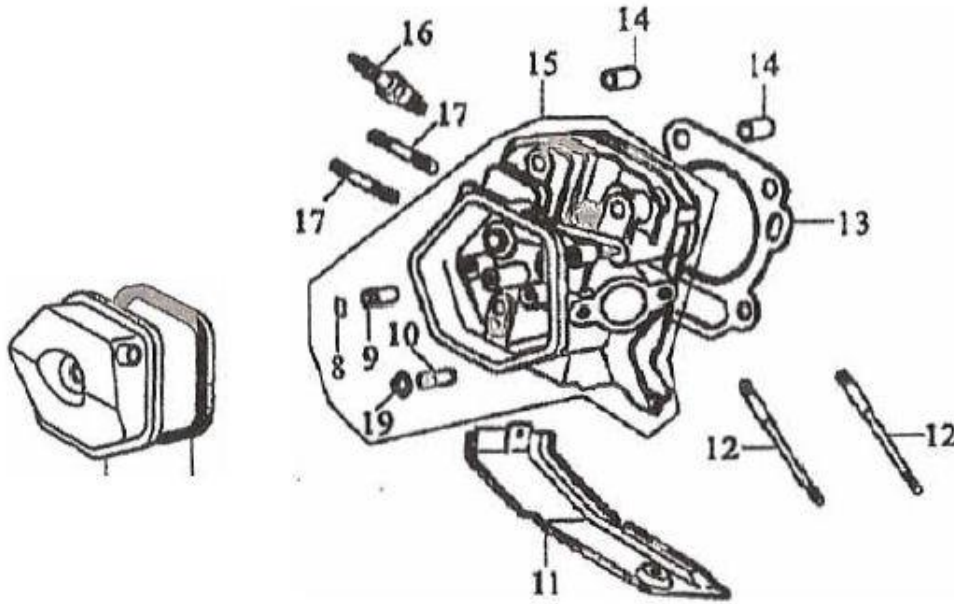
| REF. NO. | PART NUMBER | DESCRIPTION |
|----------|-------------|----------------------------------|
| 1 | 11213/173F | WASHER (2) |
| 2 | 11212/173F | DRAIN PLUG |
| 3 | 13180/182f | OIL SEAL, CRANKSHAFT |
| 4 | 11124/173F | SEAL |
| 5 | 37850/168F | DIODE |
| 6 | 11100/188F | CRANKCASE |
| 7 | 26390/173F | OIL SEAL, REGULATING SWAY BAR |
| 8 | 26329/173F | WASHER |
| 9 | 26321/173F | SPLIT PIN |
| 10 | 26311/182F | REGULATING SWAY BAR |
| 11 | GB276-89 | BEARING 6206 |
| 12 | GB6177-86 | NUT M10 |
| 13 | GB3452.1-92 | O-RING |
| 14 | GB5787-86 | BOLT M6X14 (2) |

E-2 CRANKCASE COVER ASSY



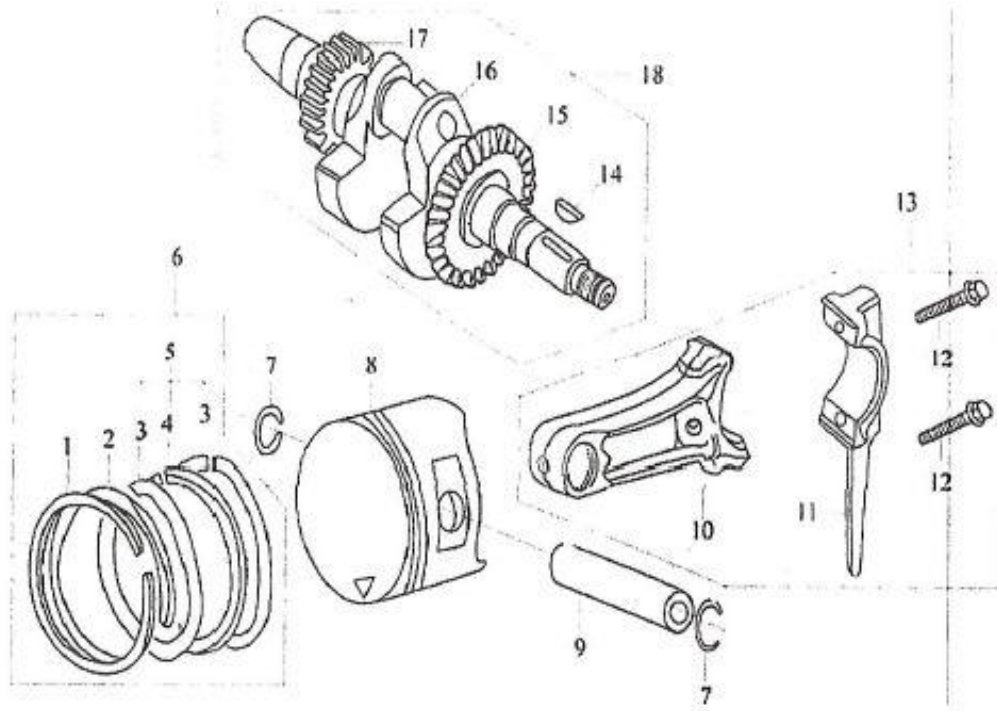
| REF. NO. | PART NUMBER | DESCRIPTION |
|----------|-------------|------------------------------|
| 1 | 15650/173F | OIL PLUG WITH SEAL |
| 2 | 15651/173F | OIL PLUG |
| 3 | 15612/173F | SEAL |
| 4 | 11311/182F | CRANKCASE COVER |
| 5 | 25165/173F | WASHER, DRIVEN GEAR |
| 6 | 25121/173F | DRIVEN GEAR, REGULATOR |
| 7 | 25163/173F | PIN (2) |
| 8 | 25151/173F | REGULATING SHAFT |
| 9 | 25141/182F | FLYING BLOCK (2) |
| 10 | 25164/173F | SNAP RING |
| 11 | 25132/168F | WASHER |
| 12 | 25131/173F | SLIDING SLEEVE |
| 13 | 11119/182F | GASKET, CRANKCASE |
| 14 | 11118/173F | SET PIN (2) |
| 15 | 15611/173F | DIPSTICK |
| 16 | 15610/173F | DIPSTICK WITH SEAL |
| 17 | GB276-89 | BEARING 6206 |
| 18 | 13180/182F | OIL SEAL, CRANKSHAFT |
| 19 | GB5787-86 | BOLT M8X35 (7) |
| 20 | 25120/182F | DRIVEN GEAR, REGULATOR ASSY. |

E-3 CYLINDER HEAD & CYLINDER HEAD COVER ASSY



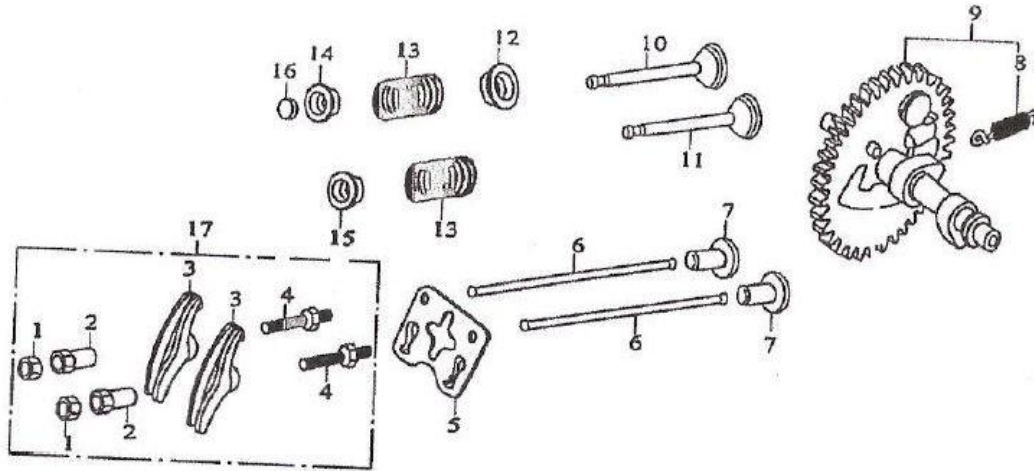
| REF. NO. | PART NUMBER | DESCRIPTION |
|----------|-------------|----------------------------|
| 1 | 12400/173F | BOLT |
| 2 | 12412/173F | WASHER |
| 3 | 12421/173F | RUBBER SEAL |
| 4 | 12410/173F | BOLT |
| 5 | 12310/173F | CYLINDER HEAD COVER ASSY. |
| 6 | 12312/173F | GASKET,CYLINDER HEAD COVER |
| 7 | 12256/173F | BOLT |
| 8 | 12219/173F | CIRCIP |
| 9 | 12215/173F | EXHAUST VALVE GUIDE |
| 10 | 12214/173F | INTAKE VALVE GUIDE |
| 11 | 19721/182F | LEAD WIND COVER |
| 12 | 12252/182F | STUD |
| 13 | 12220/188F | GASKET CYLINDER HEAD |
| 14 | 12218/173F | SET PIN |
| 15 | 12210/182F | CYLINDER HEAD ASSY. |
| 16 | 34200/173F | SPARK PLUG F7RTC |
| 17 | 12253/173F | STUD (2) |
| 18 | 20651/173F | AIR DUCK |
| 19 | 14730/173F | SEAL |

E-4 CRANKSHAFT, PISTON AND ROD



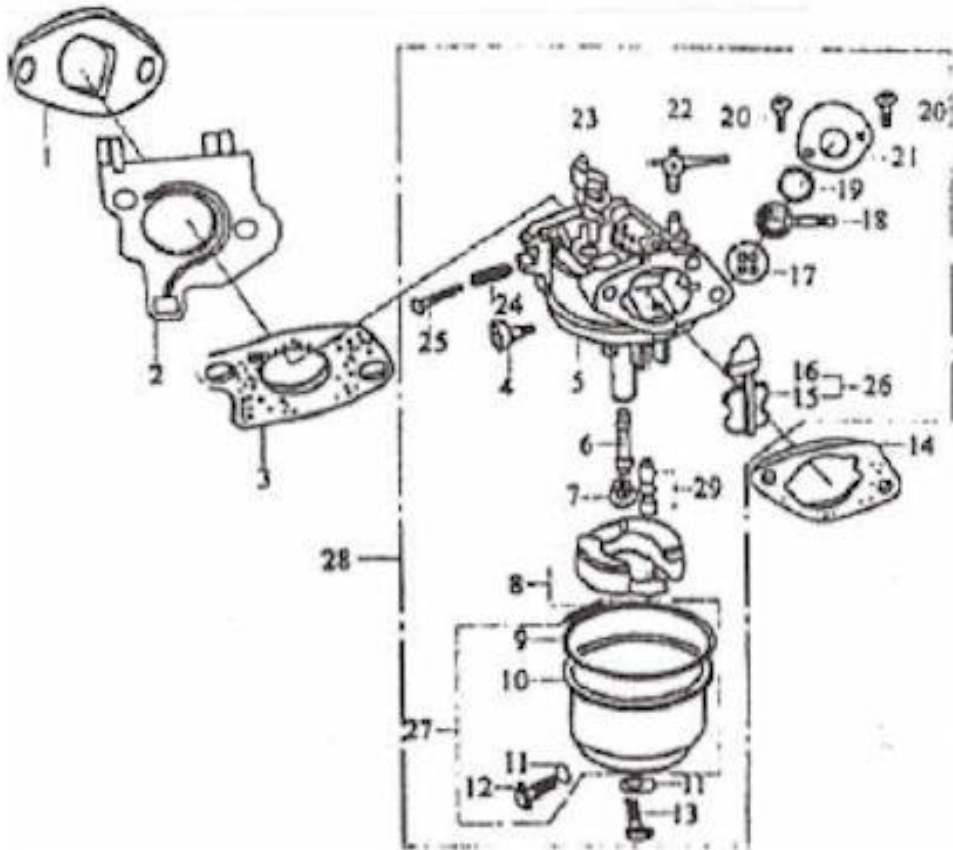
| REF. NO. | PART NUMBER | DESCRIPTION |
|----------|-------------|------------------------|
| 1 | 1311/188f | PISTON RING (I) |
| 2 | 13312/188f | PISTON RING (II) |
| 3 | 13322/168f | SIDE RAIL (2) |
| 4 | 13321/188f | EXPANDER |
| 5 | 13320/188F | SCRAPER RING SET |
| 6 | 13222/182F | PISTON PIN CIRCLIP (2) |
| 7 | 13211/188F | PISTON |
| 8 | 13221/188F | PISTON PIN |
| 9 | 13131/182F | SHANK |
| 10 | 13132/182F | CONNECTING ROD COVER |
| 11 | 13133/173F | BOLT (2) |
| 12 | GB276-89 | BEARING 6202 (2) |
| 13 | 13611/182F | BALANCING SHAFT |
| 14 | GB276-89 | BEARING 6207 |
| 15 | 13118/173F | WOOD RUFF KEY |
| 16 | 13111/182F | CRANKSHAFT |
| 17 | 25111/182F | DRIVE GEAR |
| 18 | 14211/182F | TIMING DRIVE GEAR |
| 19 | 13300/188F | PISTON RING SET |
| 20 | 13130/182F | CONNECTING ROD ASSY. |
| 21 | 13110/182F | CRANKSHAFT ASSY. |

E-5 COMBINATION OF CAM SHAFT & VALVE ROCKER



| REF. NO. | PART NUMBER | DESCRIPTION |
|----------|-------------|----------------------------------|
| 1 | 14416/173F | LOCK NUT (2) |
| 2 | 14413/173F | SLEEVE (2) |
| 3 | 14411/173F | VALVE ROCKER (2) |
| 4 | 14415/173F | ADJUSTING BOLT FOR VALVE GAP (2) |
| 5 | 14261/173F | PUSHER GUIDE |
| 6 | 14250/182F | PUSHER (2) |
| 7 | 14455/173F | TAPPET (2) |
| 8 | 14146/173F | EXTENSION SPRING |
| 9 | 14100/188F | CAMSHAFT ASSY. |
| 10 | 14721/182F | EXHAUST VALVE |
| 11 | 14711/182F | INTAKE VALVE |
| 12 | 14753/173F | SPRING RETAINER, EXHAUST VALVE |
| 13 | 14755/173F | VALVE SPRING (2) |
| 14 | 14757/173F | SPRING SEAT, EXHAUST VALVE |
| 15 | 14751/173F | SPRING SEAT, INTAKE VALVE |
| 16 | 14758/173F | CAP |
| 17 | 14410/173F | VALVE ROCKER ASSY. |

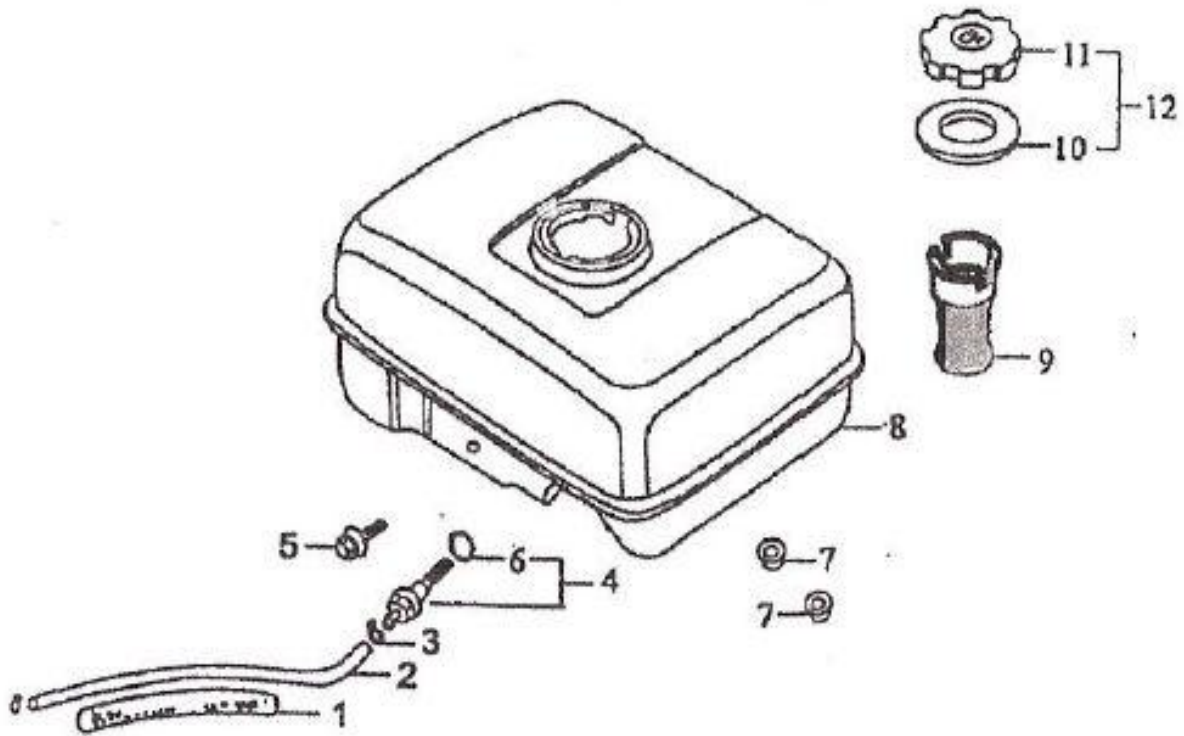
E-6 CARBURETOR ASSY



| REF. NO. | PART NUMBER | DESCRIPTION |
|----------|-------------|-----------------------|
| 1 | 12254/182F | INLET GASKET |
| 2 | 16141 | CONNECTING BLOCK |
| 3 | 16142/188F | CARBURETOR GASKET |
| 4 | 16421/168F | IDLE ADJUSTMENT SCREW |
| 5 | 16250 | MIXTURE CHAMBER BODY |
| 6 | 16251/188F | MAIN NOZZLE |
| 7 | 16254 | MAIN JET |
| 8 | 16230/182F | FLOAT |
| 9 | 16219/173F | FLOAT CHAMBER GASKET |
| 10 | 16211/173F | FLOAT CHAMBER |

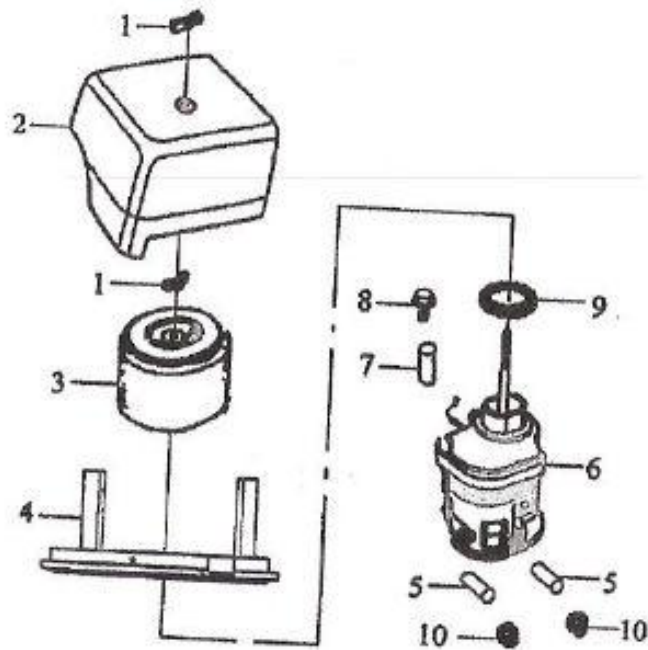
| | | |
|----|------------|------------------------------------|
| 11 | 16216/168F | WASHER (2) |
| 12 | 16215/168F | FLOAT CHAMBER DRAIN SCREW |
| 13 | 16213/168F | SCREW |
| 14 | 17330/173F | AIR CLEANER GASKET |
| 15 | 16331/173F | CHOKE |
| 16 | 16332/173F | CHOKE STEM |
| 17 | 16312/168F | AIRPROOF WASHER |
| 18 | 16311/168F | THROTTLE LEVER |
| 19 | 16313/168F | WASHER |
| 20 | GB5787-86 | SCREW M4 (2) |
| 21 | 16314/168F | COVER |
| 22 | 16148/173F | CHOKE SWITCH |
| 23 | 16280/188F | THROTTLE UNIT |
| 24 | 16422/168F | SPRING MIXTURE ADJUSTMENT SCREW |
| 25 | 16425/168F | MIXTURE ADJUSTMENT SCREW |
| 26 | 16330/173F | CHOKE UNIT |
| 27 | 16210/173F | FLOAT CHAMBER |
| 28 | 16100/188F | CARBURETOR ASSY. |
| 29 | 16240/188F | FLOAT NEEDLE |

E-7 FUEL TANK ASSY



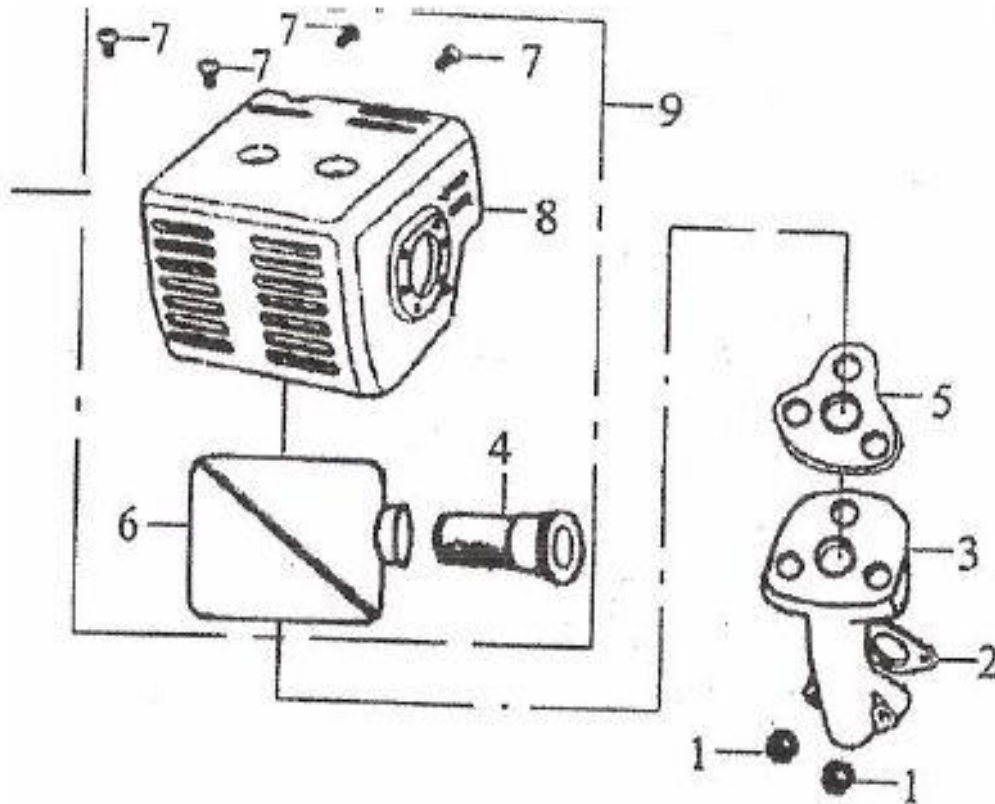
| REF. NO. | PART NUMBER | DESCRIPTION |
|----------|-------------|-----------------------------------|
| 1 | 16933/173F | PIPE |
| 2 | 16931/173F | OUTLET PIPE |
| 3 | 16937/168F | PIPE CLAMP (2) |
| 4 | 16950/168F | CONNECTOR |
| 5 | GB5787-86 | BOLT M8X25 |
| 6 | 16961/168F | PACKING RING |
| 7 | GB6177-86 | NUT M8 (2) |
| 8 | 16610/182F | FUEL TANK |
| 9 | 16916/168F | FILTER CUP |
| 10 | 16521/168F | PACKING RING |
| 11 | 16510/168F | FUEL FILLER CAP |
| 12 | 16500/168F | FUEL FILLER CAP WITH PACKING RING |

E-8 AIR CLEANER ASSY



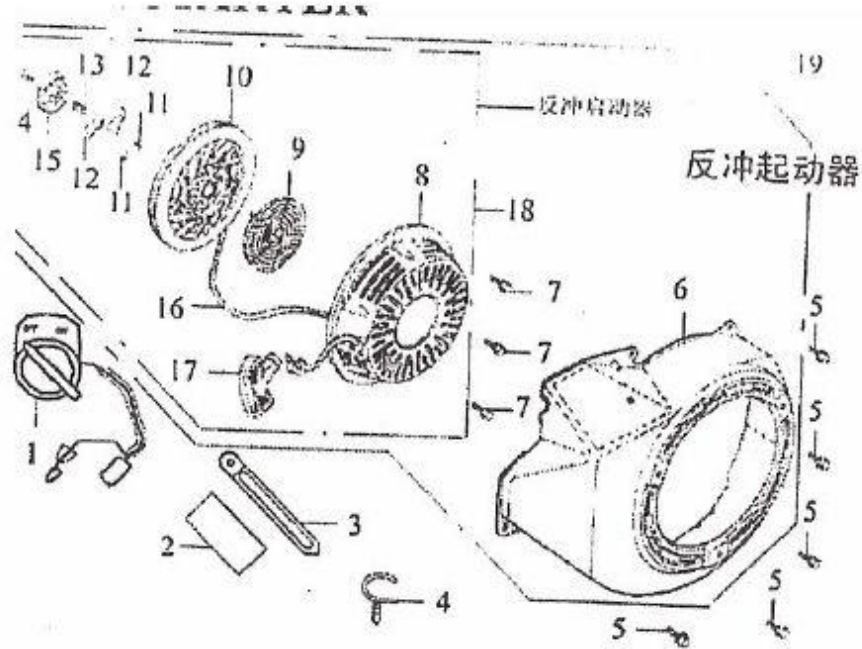
| REF. NO. | PART NUMBER | DESCRIPTION |
|----------|-------------|---------------------|
| 1 | GB62-88 | WING NUT (2) |
| 2 | 17111/182F | AIR CLEANER COVER |
| 3 | 17130/182F | FILTER ELEMENT |
| 4 | 17141/182F | AIR CLEANER BASE |
| 5 | 17126/173F | SLEEVE A |
| 6 | 17131/173F | AIR CLEANER HOUSING |
| 7 | 17146/173F | SLEEVE B |
| 8 | GB5787-86 | BOLT M6X20 |
| 9 | 17125/173F | WASHER |
| 10 | GB6170-86 | NUT M6 (2) |

E-9 MUFFLER



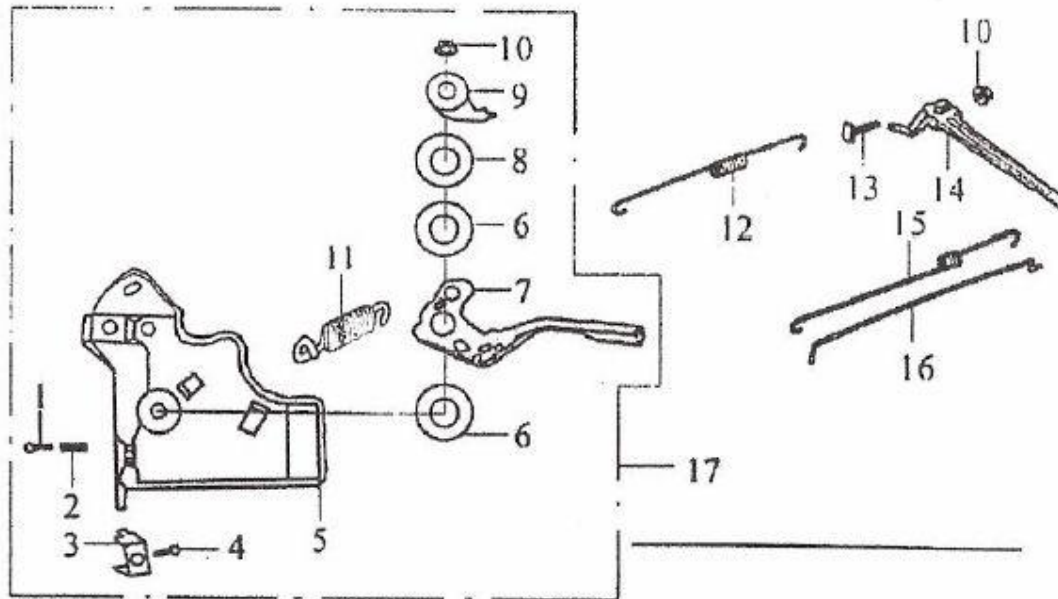
| REF. NO. | PART NUMBER | DESCRIPTION |
|----------|-------------|-----------------------|
| 1 | GB6170-86 | NUT M8 (2) |
| 2 | 12255/173F | EXHAUST PIPE GASKET |
| 3 | 18111/173F | EXHAUST PIPE |
| 4 | 18310/182F | SPARK EXTINGUISHER |
| 5 | 18221/173F | MUFFLER GASKET |
| 6 | 18300/182F | MUFFLER |
| 7 | GB5787-86 | SCREW M5X8 (4) |
| 8 | 18600/182F | MUFFLER HOOD ASSEMBLY |
| 9 | 18100/182F | MUFFLER ASSEMBLY |

E-10 KICK STARTER



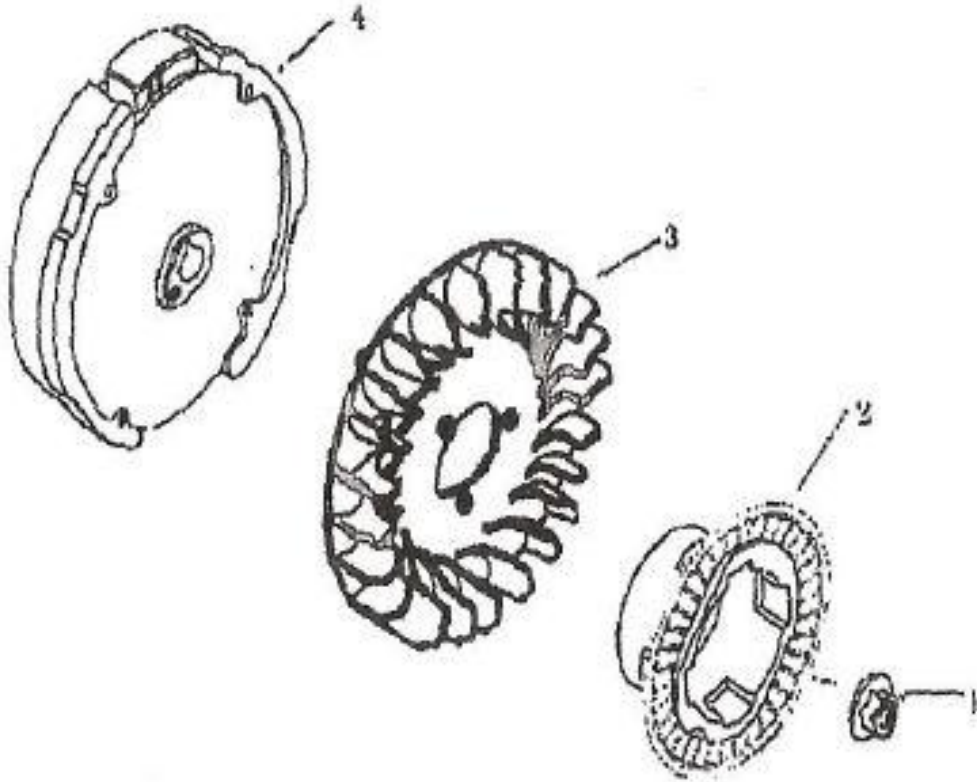
| REF. NO. | PART NUMBER | DESCRIPTION |
|----------|-------------|----------------------|
| 1 | 35410/168F | ENGINE SWITCH |
| 2 | 32412/173F | WIRE GROMMET |
| 3 | 32413/173F | CLIP |
| 4 | 16146/173F | PLASTIC CLIP |
| 5 | GB5787-86 | BOLT M6X12 (5) |
| 6 | 19710/182F | FAN HOOD ASSY. |
| 7 | GB5787-86 | BOLT M6X8 (3) |
| 8 | 27380/182F | CASING |
| 9 | 27319/182F | SPIRAL SPRING |
| 10 | 27351/182F | STARTER ROLLS |
| 11 | 27312/173F | RATCHET SPRING (2) |
| 12 | 27331/173F | RATCHET (2) |
| 13 | 27311/173F | FRICTION SPRING |
| 14 | 27315/173F | SET SCREW |
| 15 | 27341/173F | SPRING LID |
| 16 | 27313/168F | ROPE |
| 17 | 27361/168F | PULLING HANDLE |
| 18 | 27300/182F | RECOIL STARTER |
| 19 | 27100/182F | RECOIL STARTER ASSY. |

E-11 REGULATING CONTROL SYSTEM



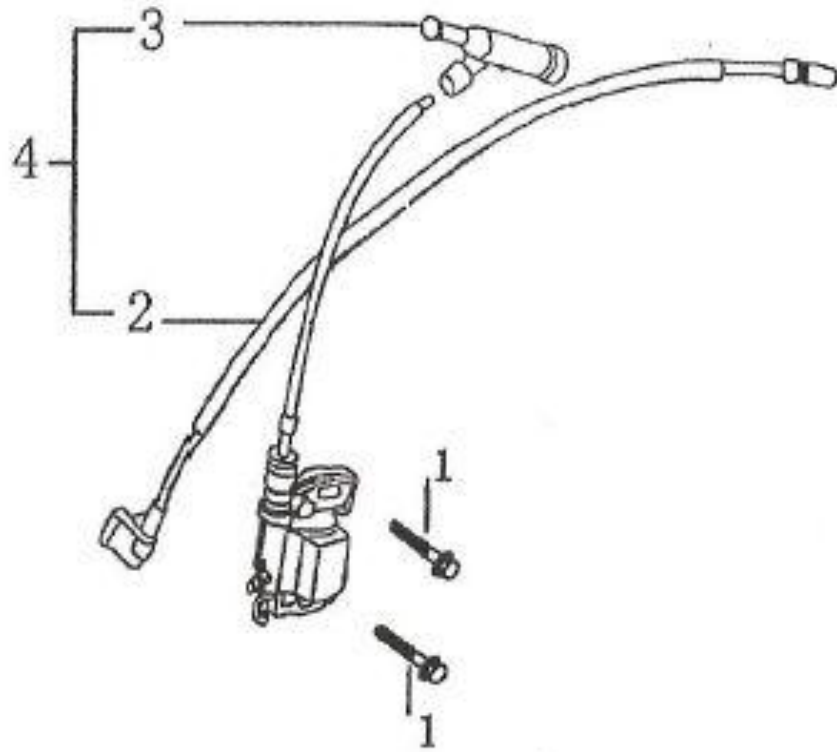
| REF. NO. | PART NUMBER | DESCRIPTION |
|----------|-------------|------------------------|
| 1 | GB818-85-H | BOLT M5X35 |
| 2 | 26415/173F | REGULATING SPRING |
| 3 | 26422/173F | CLAMP |
| 4 | GB5787-86 | BOLT M6X12 |
| 5 | 26421/182F | SUPPORT PANEL (2) |
| 6 | 26419/173F | WASHER |
| 7 | 26412/182F | HANDGRIP |
| 8 | 26418/173F | SPRING PATCH |
| 9 | 26414/173F | SETTING PANEL (2) |
| 10 | GB6177-86 | NUT M6 |
| 11 | 26416/173F | SPRING |
| 12 | 26363/182F | BACK SPRING |
| 13 | 26362/168F | LOCK BOLT |
| 14 | 26331/182F | REGULATING ARM |
| 15 | 26364/182F | FINE REGULATING SPRING |
| 16 | 26341/182F | PULLING ROD |
| 17 | 26410/182F | REGULATING FRAME ASSY. |

E-12 FLYWHEEL



| REF. NO. | PART NUMBER | DESCRIPTION |
|----------|-------------|-----------------|
| 1 | 27515/168F | NUT M14X1.5 |
| 2 | 27370 | STARTING FLANGE |
| 3 | 19722/168F | FLYWHEEL FAN |
| 4 | 27500/168F | FLYWHEEL |

E-13 IGNITION COIL



| REF. NO. | PART NUMBER | DESCRIPTION |
|----------|-------------|---------------------|
| 1 | GB5787-86 | SCREW M6X22 (2) |
| 2 | 34410/168F | EXTINGUISHING CABLE |
| 3 | 34310/168F | SPARK PLUG CAP |
| 4 | 34500/168F | IGNITION COIL |



**190 Starlet Circle NE
Cleveland TN 37323**

Contact: Lewis Stout

(423) 715-3897

Email: gummy07@charter.net

www.StoutRacingEngines.com