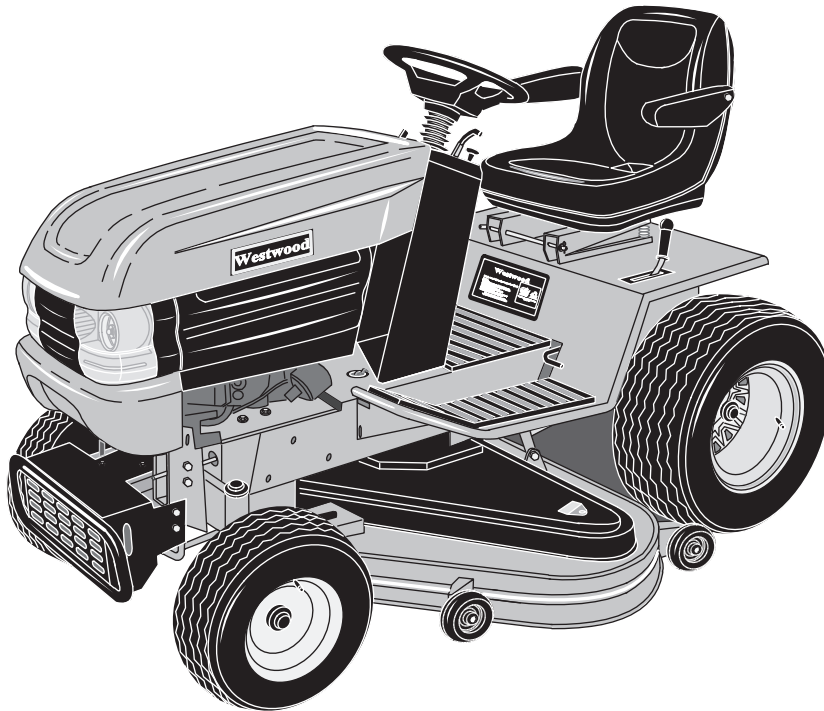


# Westwood

## WESTWOOD V20/50 SERIES TRACTOR 2006



## SERVICE DRAWINGS & PARTS LIST INDEX

---

### Westwood Tractors

Admail 3376,  
Plymouth,  
Devon  
PL7 5ZY

Tel: +44 (0) 800 0720127  
Fax: +44 (0) 800 0720132

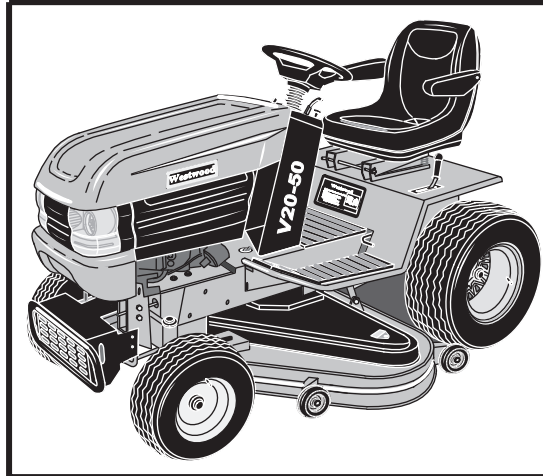
[sales@westwoodtractors.com](mailto:sales@westwoodtractors.com)  
[www.westwoodtractors.com](http://www.westwoodtractors.com)

# Westwood

## WESTWOOD V20/50 SERIES TRACTOR

---

2006



2006

### SERVICE DRAWINGS & PARTS LIST INDEX

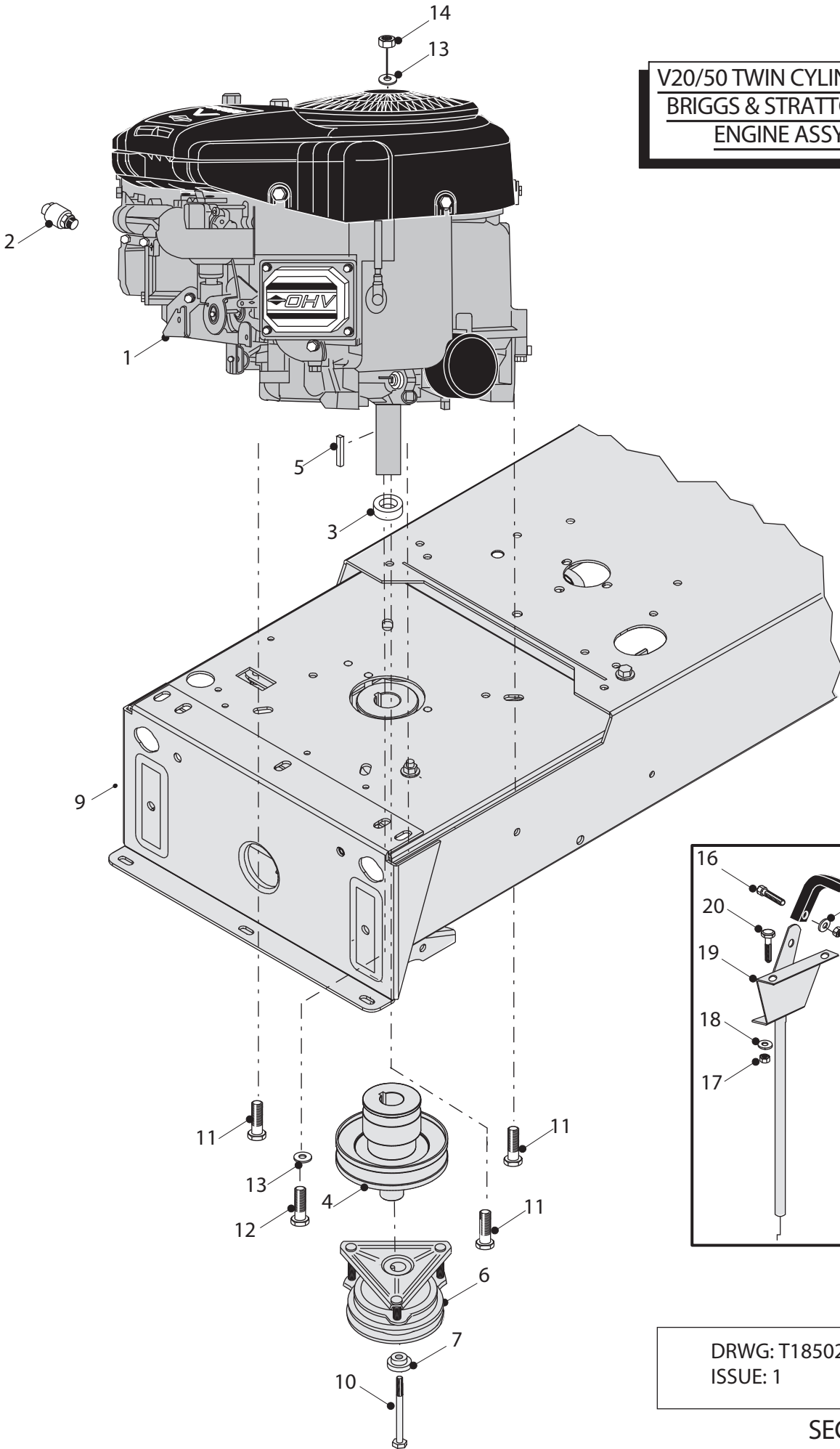
- SECTION 1 FRONT AXLE ASSEMBLY
- SECTION 2 TWIN CYLINDER ENGINE ASSEMBLY
- SECTION 3 TWIN EXHAUST ASSEMBLY
- SECTION 4 BONNET ASSEMBLY
- SECTION 5 CONSUL ASSEMBLY
- SECTION 6 SEAT ASSEMBLY
- SECTION 7 DECK CRADLES ASSEMBLY
- SECTION 8 HAND CLUTCH / BRAKE CONTROL MODEL  
P.T.O. TRANSMISSION ASSEMBLY
- SECTION 9 HAND CLUTCH / BRAKE CONTROL MODEL  
TUFF TORQ TRANSAXLE
- SECTION 10 HAND CLUTCH / BRAKE CONTROL MODEL  
RUNNING BOARD & REAR BODY ASSY
- SECTION 11 MAIN WIRING LOOM
- SECTION 12 REAR DISCHARGE DECK
- SECTION 13 MULCHER DECK
- SECTION 14 42" HIGH GRASS MULCHER DECK
- SECTION 15 POWERED GRASS COLLECTOR
- SECTION 16 POWERED GRASS COLLECTOR NET
- SECTION 17 CONSOL TOP DECALS



**V20/50 TRACTOR  
FRONT AXLE ASSEMBLY PARTS LIST**

	PART DESCRIPTION	PART NUMBER
1	M8 Nyloc Nut	04920100
2	M8 Washer	08819501
3	Chassis Front	27115500
4	Westwood Bullbar	327174900
5	Bolt M8 x 35mm	018001600
6	M/Screw M8 x 20mm	02825900
7	Axle Beam	327014700
8	Deck Tension Cradle	327365700
9	Bolt M10 x 60mm	018003900
10	Bolt M8 x 25mm	01902300
11	Washer 10.8 i.d x 20.7 o.d x 2mm Thk	088002400
12	M10 Nyloc Nut	04886100
13	R.H. Stub Axle 20/50	327178200
14	L.H. Stub Axle 20/50	327178300
15	Front Wheel Bearing	10802200
16	20/50 Steering Link Rod Spacer	183012800
17	20/50 Steering Link Spacer	183012700
19	M12 x 80mm Bolt	019478500
20	M10 Nyloc Nut	04886100
21	Stub Axle Spacer	183006200
22	M12 Track Rod	183017000
23	Nut M12	049381200
24	19 mm Circlip External	07921200
25	Slinger	32121800
26	Steering Arm	327177000
27	Nut Nyloc M12	049381100
28	Bolt M10 x 60mm	018003900
29	Washer 32mm x 19.5mm	30127900
30	M12 Rod End Joint 20/50	108728000
31	Galvanised Washer 46mm x 13mm	30128100
32	Washer 3/4" T3 LP	08822900
33	Front Wheel Bearing	10802200
34	20/50 Front Wheel Complete	198001400
34a	20/50 Wheel Rim	198000700
35	Front Tyre	198000600
35a	Wheel Valve	14889200
36	M12 x 24 x 1.6 Washer	088003600
37	Hub Cap Washer, Front Wheel	30128100
38	Nut Nyloc M12	04836100
39	Hub Cap	14811800
40	20/50 Chassis	327006300

V20/50 TWIN CYLINDER  
BRIGGS & STRATTON  
ENGINE ASSY



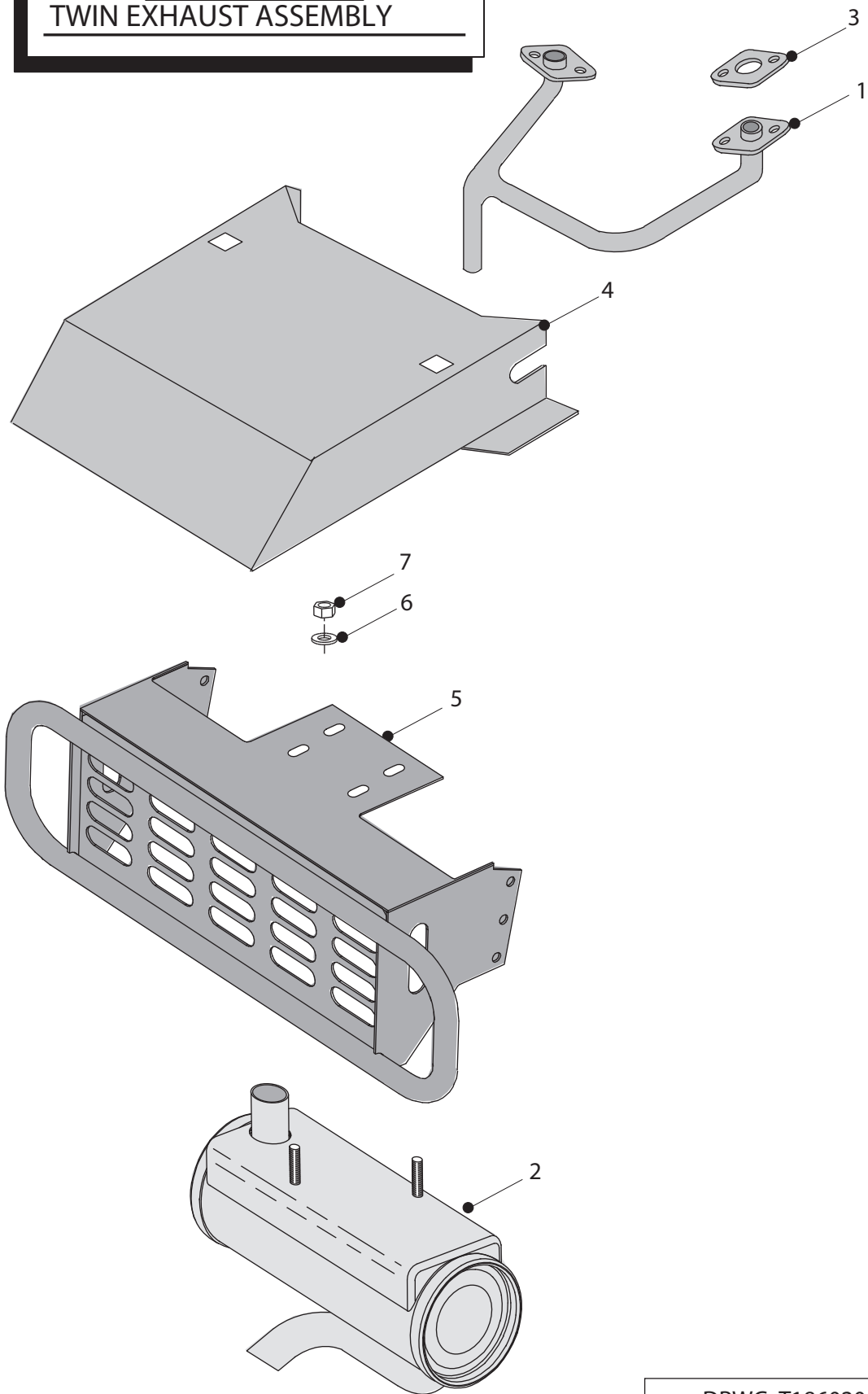
DRWG: T1850201  
ISSUE: 1

SECTION 2

**V20/50 TRACTOR  
ENGINE ANCILLARY PARTS LIST**

	PART DESCRIPTION	PART NUMBER
1	Engine - Not Available From Countax	N/A
2	Oil Drainage Valve	52851200
3	20/50 Engine Pulley Spacer	31854000
4	20/50 Engine Pulley Lower	327007700
5	Engine Key (14HPT)	09853400
6	Electric Clutch 20/50	44815200
7	20/50 Engine Pulley Cap	183016800
8	Choke Cable (Twin Cylinder only)	RCL29005800
9	Chassis	327006300
10	Bolt 7/16" UNF x 6"	01853300
11	Bolt M10 x 30mm	018002100
12	Bolt M8 x 40mm	018003200
13	Washer M8	08819501
14	Nut Nyloc M8	04850600
15	Control Knob ( Throttle Cable)	14810400
16	Screw M4 x 12mm Pozi Pan s/s zinc plated	02826300
17	M4 Nyloc Nut	04826400
18	M4 Form A Washer BZP	08826200
19	Westwood Twin Throttle Control	528004600
20	M4 x 12mm Pozi Pan Set Screw zinc plated	02826300

V20/50 SERIES  
TWIN EXHAUST ASSEMBLY



DRWG: T1860201  
ISSUE: 1

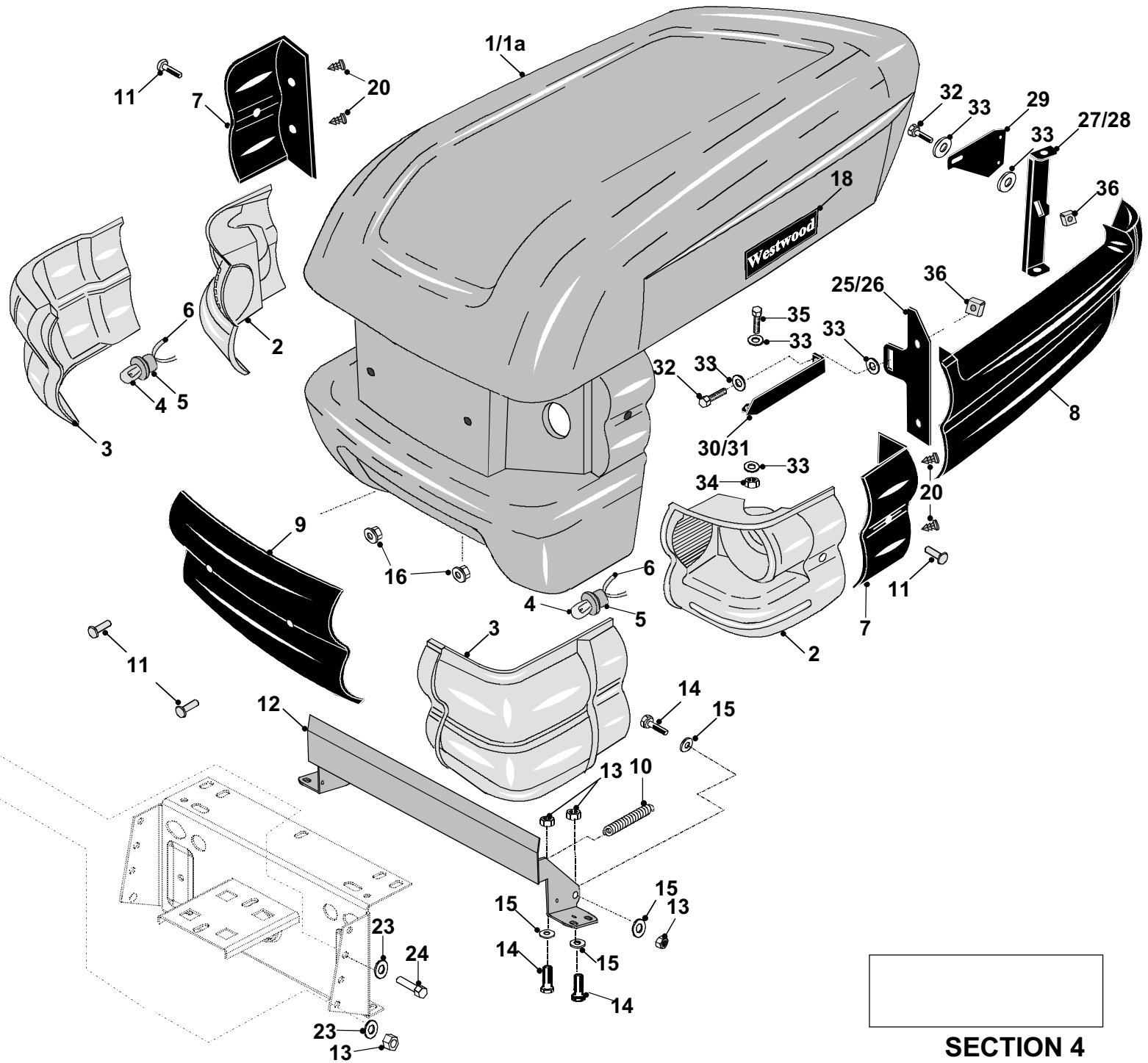
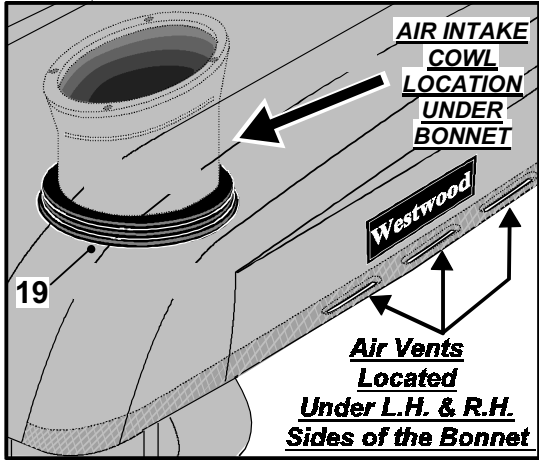
SECTION 3

**V20/50 TRACTOR  
EXHAUST ASSEMBLY PARTS LIST**

	PART DESCRIPTION	PART NUMBER
1	Twin Exhaust	327172300
2	2003 Exhaust R/H Outlet	328956300
3	Exhaust Gasket	(Supplied by Briggs & Stratton)
4	Exhaust Heat Shield	52100000
5	Westwood Bullbar	327174900
6	Washer M8	08819501
7	M8 Philadas Self Locking Nut Z/P	048001700
8	Exhaust Paste (Not Illustrated)	52923800



**WESTWOOD V20/50  
TRACTOR  
BONNET ASSEMBLY**



**SECTION 4**

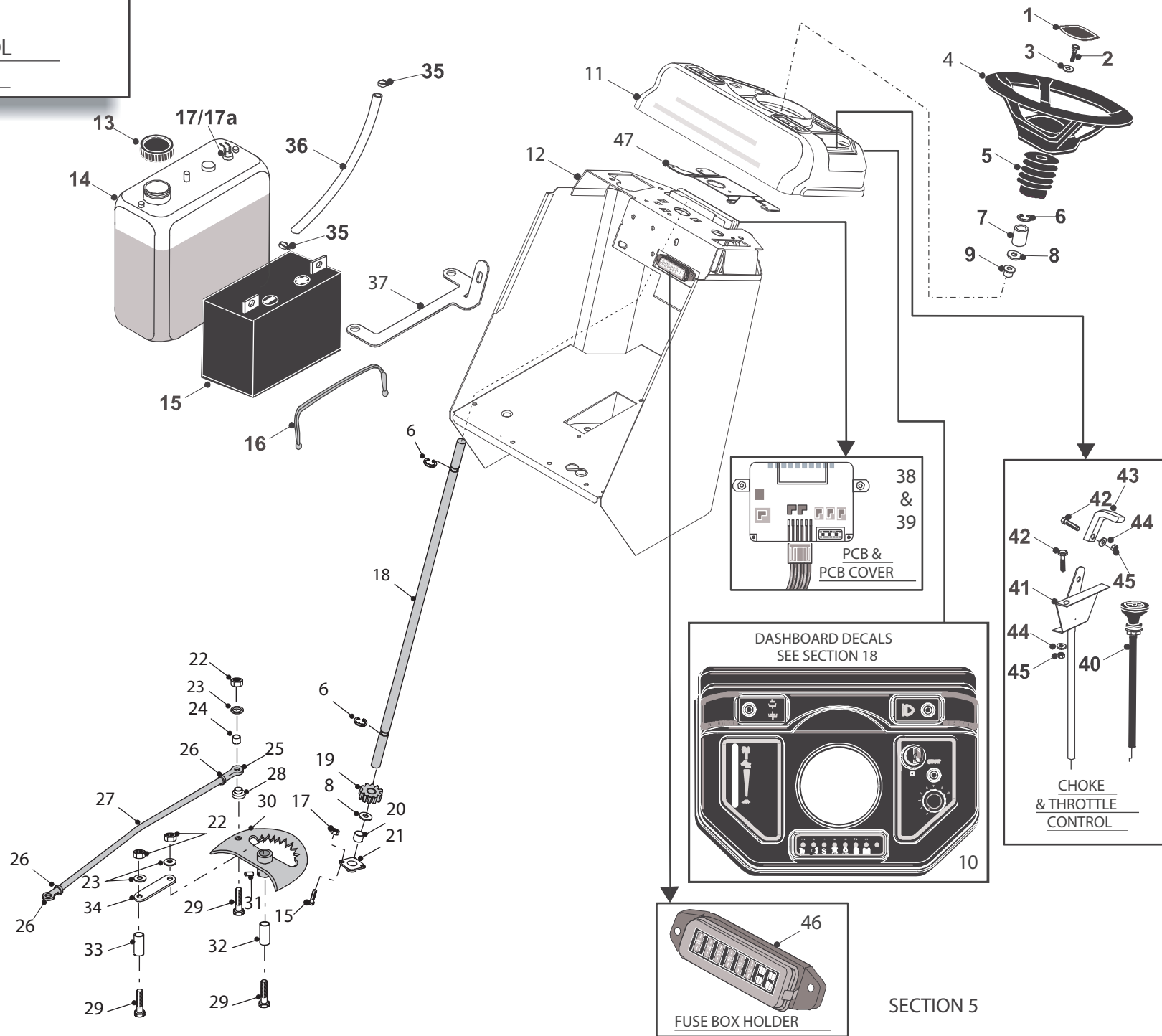
**WESTWOOD V20/50 TRACTOR  
BONNET ASSEMBLY PARTS LIST**

	PART DESCRIPTION	PART NUMBER
1	V20/50 Bonnet ( includes items 1a, 2, 3, 4, 5, 6, 7, 9, 11, 16, 18, 19 & 20)	408020500
1a	Plastic Bonnet Main Body	148012100
2	L/H Westwood Headlamp	148011400
	R/H Westwood Headlamp	148011500
3	L/H Westwood Light Lens	148011200
	R/H Westwood Light Lens	148011300
4	12V Pole Bulb	44816200
5	Bulb Holder	44816100
6	Light Loom 3894	44946600 use 44813900
7	Westwood Bonnet L/H Fixing Panel	148011700
	Westwood Bonnet R/H Fixing Panel	148011800
8	Westwood Bonnet L/H Engine Side Panel	148011900
	Westwood Bonnet R/H Engine Side Panel	148012000
9	Westwood Bonnet Front Fixing Panel	148011600
10	Spring	25805200
11	Bolt Flanged Button Head M5 x 25mm	018003700
12	Bonnet Hinge	327181400
13	M8 Nyloc Nut	04920100
14	Bolt M8 x 25mm	01902300
15	Washer M8	08819501
16	M5 Jacknut	048001400
17	Bonnet Pivot Boss (Not Illustrated)	31306100
18	Decal Westwood Badge	358026100
19	New Style Beading	4832
20	Fir Tree Fixing	148012300
21	Bullbar Assembly	327174900
22	Bolt M8 x 35mm	018001600
23	M8 Washer	08819501
24	Bolt M8 x 25mm	02826000

**WESTWOOD V20/50 TRACTOR  
BONNET ASSEMBLY PARTS LIST**

	PART DESCRIPTION	PART NUMBER
25	Engine Side Panels Forward Fixing Bracket L/H	307185600
26	Engine Side Panels Forward Fixing Bracket R/H	307185700
27	Engine Side Panels Rear Fixing Bracket L/H	307185800
28	Engine Side Panels Rear Fixing Bracket R/H	307185900
29	Consol Side Panel Mounting Plate	307186000
30	L/H Heat Shield Mounted Side Panel Bracket	307186400
31	R/H Heat Shield Mounted Side Panel Bracket	307186500
32	Set Screw M6 x 20mm	018000300
33	Washer 9/16"	08827800
34	Nut Nyloc M6	04920500
35	Screw M6 x 16mm	028662300
36	Captive Nut M8	04852800
37	2003 Exhaust R/H Outlet	328956300

V20/50  
STEERING CONSOL  
ASSEMBLY



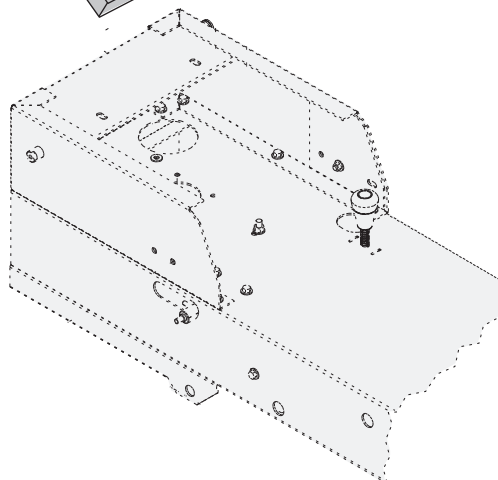
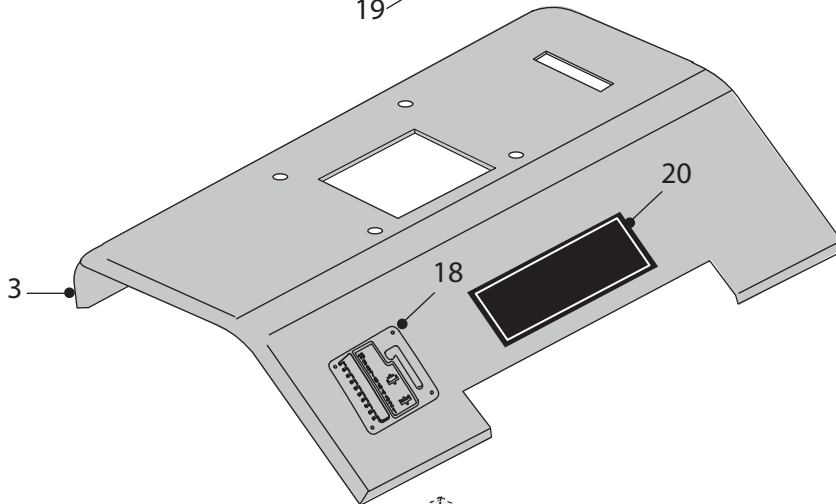
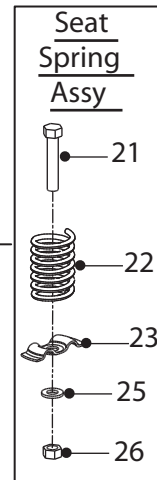
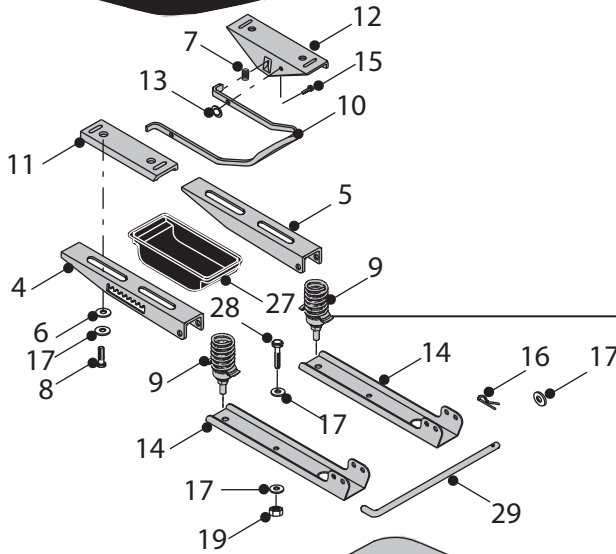
**V20/50**  
**STEERING CONSOL 2006**  
**PARTS LIST**

	PART DESCRIPTION	PART NUMBER
1.	Steering Wheel Cap	14938700
2.	Screw 8mm x 25mm	02826000
3.	M8 Washer	08819501
4.	Steering Wheel	14928200
5.	Gaiter	9426
6.	E clip 5/8"	07823800
7.	Column Spacer	183025200
8.	Washer 5/8" T3 LP	08925400
9.	Column Upper Bush	14801800
10.	Dashboard Decals	SEE SECTION 13B
11.	Consol Top	148016800
12.	Consol	321125200
13.	Cap, Fuel Tank	3963
14.	Fuel Tank	148015400
15.	Battery Dry charge	458141200
16.	Battery Strap	149499500
17.	Fuel Tank Sensor	448010600
17a	Fuel Level Sensor Seal Kit	149510900
18.	Steering column	31328400
19.	Steering gear	213112100
20.	Steering rod spacer	18401500
21.	Column lower bearing	10801700
22.	M12 Nyloc nut	049381100
23.	M12 Washer	088001200
24.	20/50 Steering Link Rod spacer	183012800
25.	M12 Rose Joint	108728000
26.	M12 Lock Nut	02826300
27.	20/50 Steering Rod	313007400
28.	Rose Joint Shoulder Boss-Short	31339600
29.	Bolt M12 x 60mm	019478800
30.	19 Tooth Quadrant	301134100
31.	Grease nipple	11808600
32.	Steering Rack Pivot	31337400
33.	Steering Support Boss	31337500
34.	Steering Link Plate	27102400
35.	Jubilee Clip (fuel hose)	11856900
36.	Pipe Fuel Black Rubber	3859
37.	Fuel Tank Bracket	8202
38.	PCB Case	148016700
39.	Main PCB	449561700

**V20/50**  
**STEERING CONSOL 2006**  
**PARTS LIST**

	PART DESCRIPTION	PART NUMBER
40.	Choke Control – Twin Cylinder	RCL290058-00
41.	Throttle Cable	528004501
42	Screw M4 x 12mm Pozi Pan S/Screw	02826300
43	Control Knob (throttle Cable)	14810400
44	M4 Form A Washer BZP	08826200
45	M4 Nyloc Nut	04826400
46	Fuse Box Holder	301139400
47.	Carry Plate	307202400

V20/50 SERIES  
SEAT ASSEMBLY



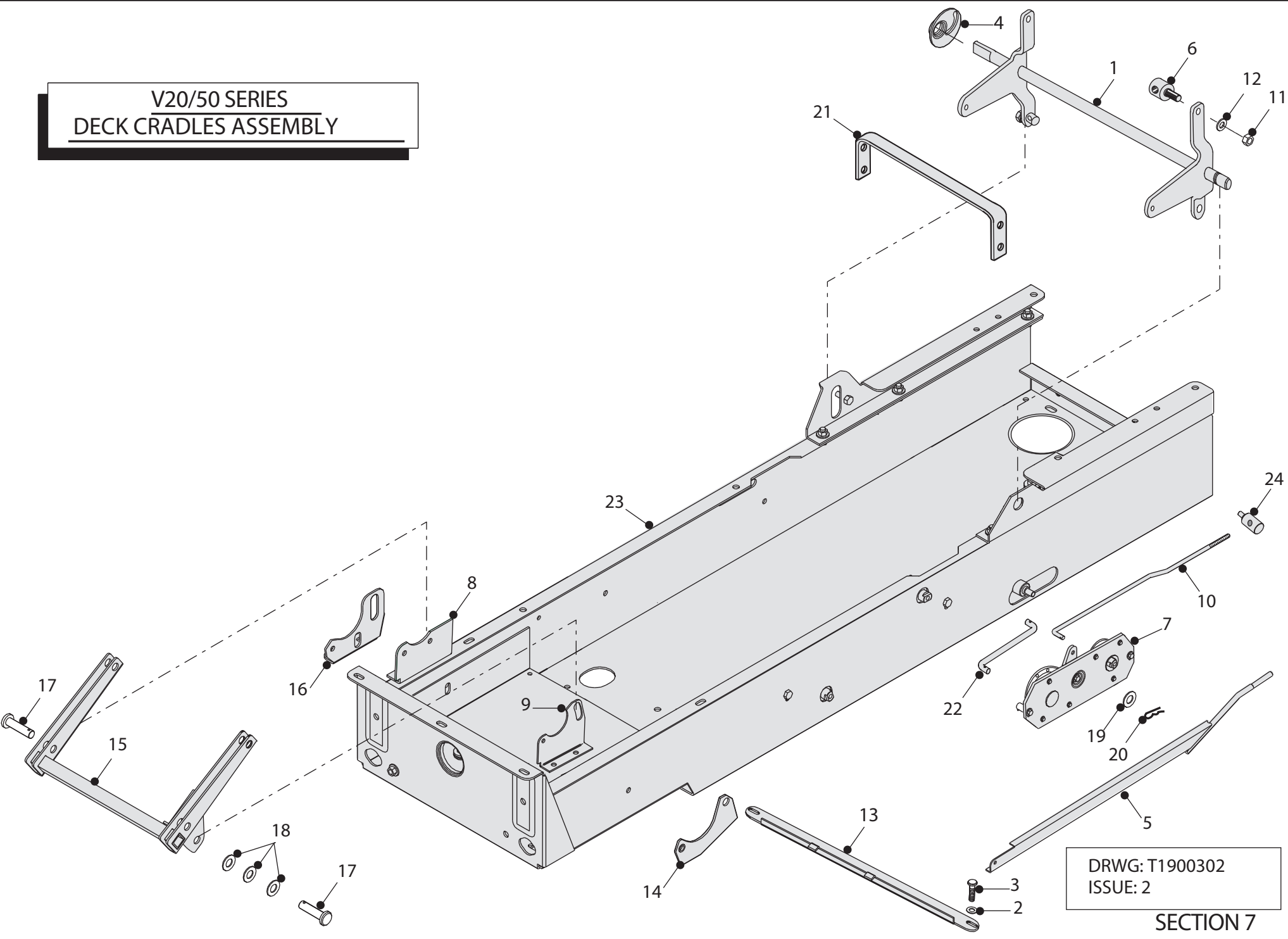
DRWG: T1890201  
ISSUE: 1

**V20/50 SEAT ASSEMBLY  
PARTS LIST**

	PART DESCRIPTION	PART NUMBER
1	20/50 Seat	148002000
2	20/50 Seat Arm Rest Kit	148002101
3	20/50 Rear Body	307183900
4	Adjustable Seat Channel R/H	30117700
5	Adjustable Seat Channel L/H	30117800
6	Washer 40 x 10mm HG	08104400
7	Spring	25831100
8	Bolt M8 x 20mm	02825900
9	Seat Spring Kit	405003200
10	Seat Handle	30203100
11	Seat Plate Adjuster R/H	30117900
12	Seat Plate Adjuster L/H	30118000
13	Starlock Washer ¼"	08868700
14	Seat Attachment Centre	27115400
15	Rivet 1/4" x 1/2"	012885800
16	2mm R-Clip	06849100
17	M8 Washer	08819501
18	Deck Height Gate	307184000
19	M8 Nyloc Nut	04920100
20	Decal 'Read Safety Instructions'	359506300
21	Bolt M10 x 40mm	019479100
22	Seat Spring (Adjustable Seat)	25845600
23	Spring Retaining Washer (Seat)	27835400
25	Washer 10.8 i.d x 20.7 o.d x 2mm	088002400
26	M10 Nyloc Nut	04886100
27	Tool Box	148003700
28	Seat Pivot Rod	31301800



V20/50 SERIES  
DECK CRADLES ASSEMBLY



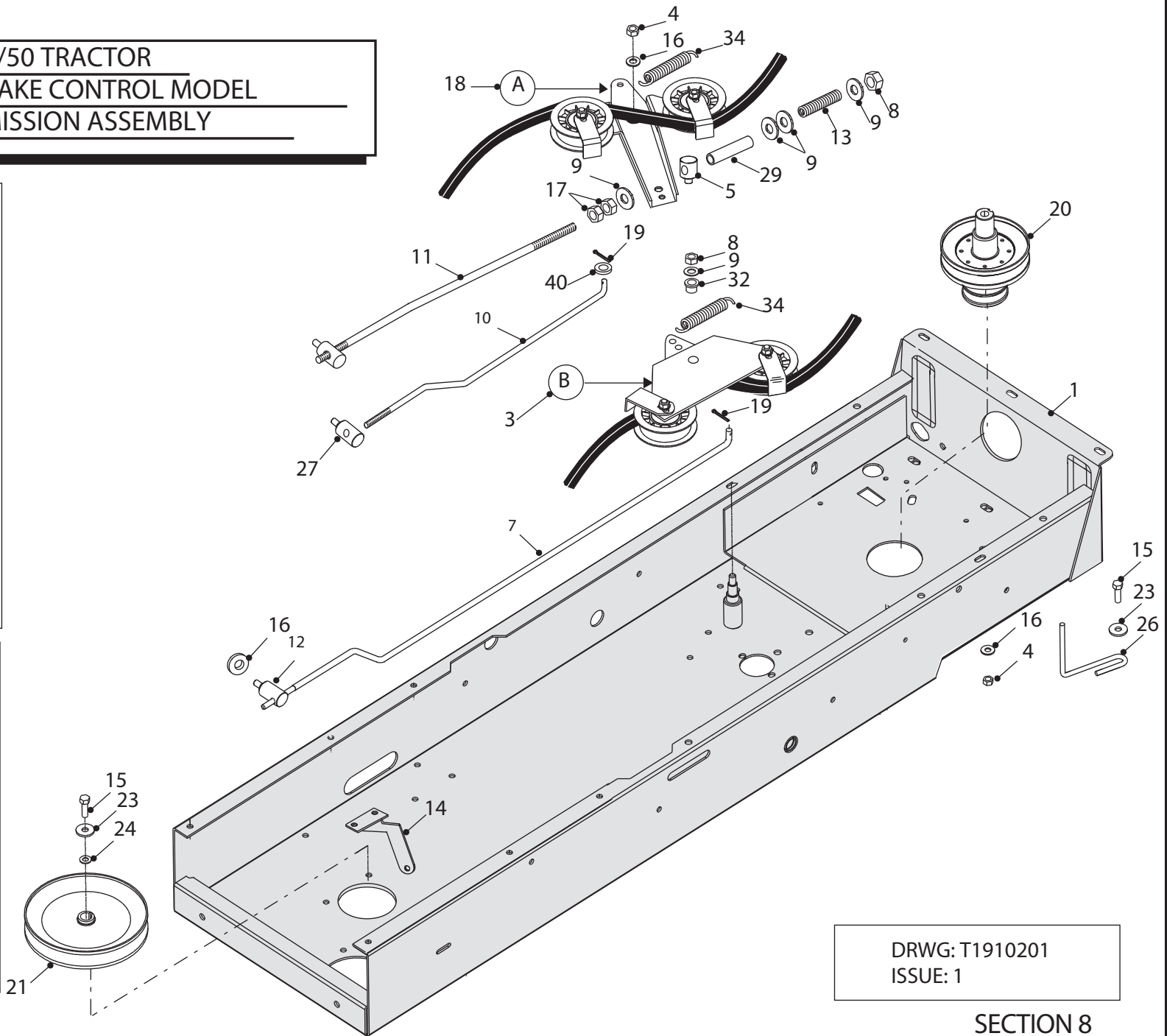
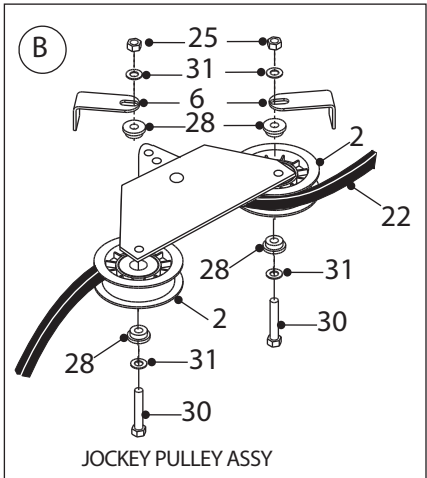
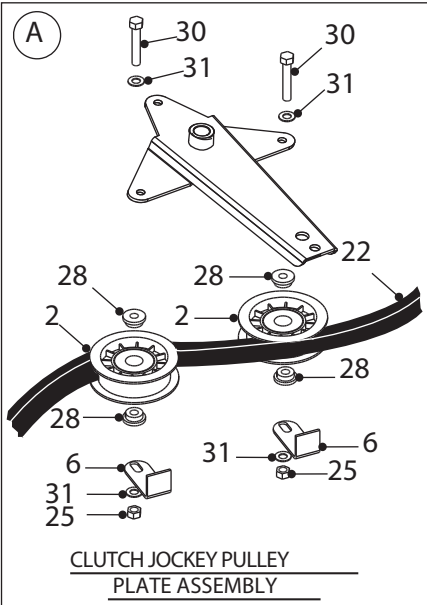
DRWG: T1900302  
ISSUE: 2

SECTION 7

**V20/50 DECK CRADLES ASSEMBLY  
PARTS LIST**

	PART DESCRIPTION	PART NUMBER
1	Rear Deck Hanging Bracket	328954200
2	M8 Washer	08819501
3	Bolt M8 x 20mm	018001500
4	Rear Deck Level Cam	30117601
5	20/50 Rear Deck Level Bar	327007900
6	Deck Level Trunnion	189497900
7	Transmission Cassette	409427400
8	LH Front Deck Level Bracket	301053900
9	RH Front Deck Level Bracket	301054000
10	Forward / Reverse Rod	318951700
11	M10 Nyloc Nut	048000600
12	Washer M8 x 25 x 3 mm Unplated	089418600
13	20/50 Clutch Bar	302005100
14	Deck Swing Plate	30128200
15	Deck Carry ( Front )	32703700
16	20/50 Deck Lever Bracket	301040000
17	Deck Lift Pin	31339400
18	Washer ½" i.d. x 1" o.d T3 HP Z/P	08822500
19	M10 Washer 10.8 i.d x 20.7 o.d. x 2mm	088002400
20	Rue Clip	11836700
21	Rear Deck Lift Cradle	292002000
22	Forward & Reverse Cassette Rod	327175600
23	Chassis	327006300

V20/50 TRACTOR  
 HAND CLUTCH/BRAKE CONTROL MODEL  
 P.T.O TRANSMISSION ASSEMBLY

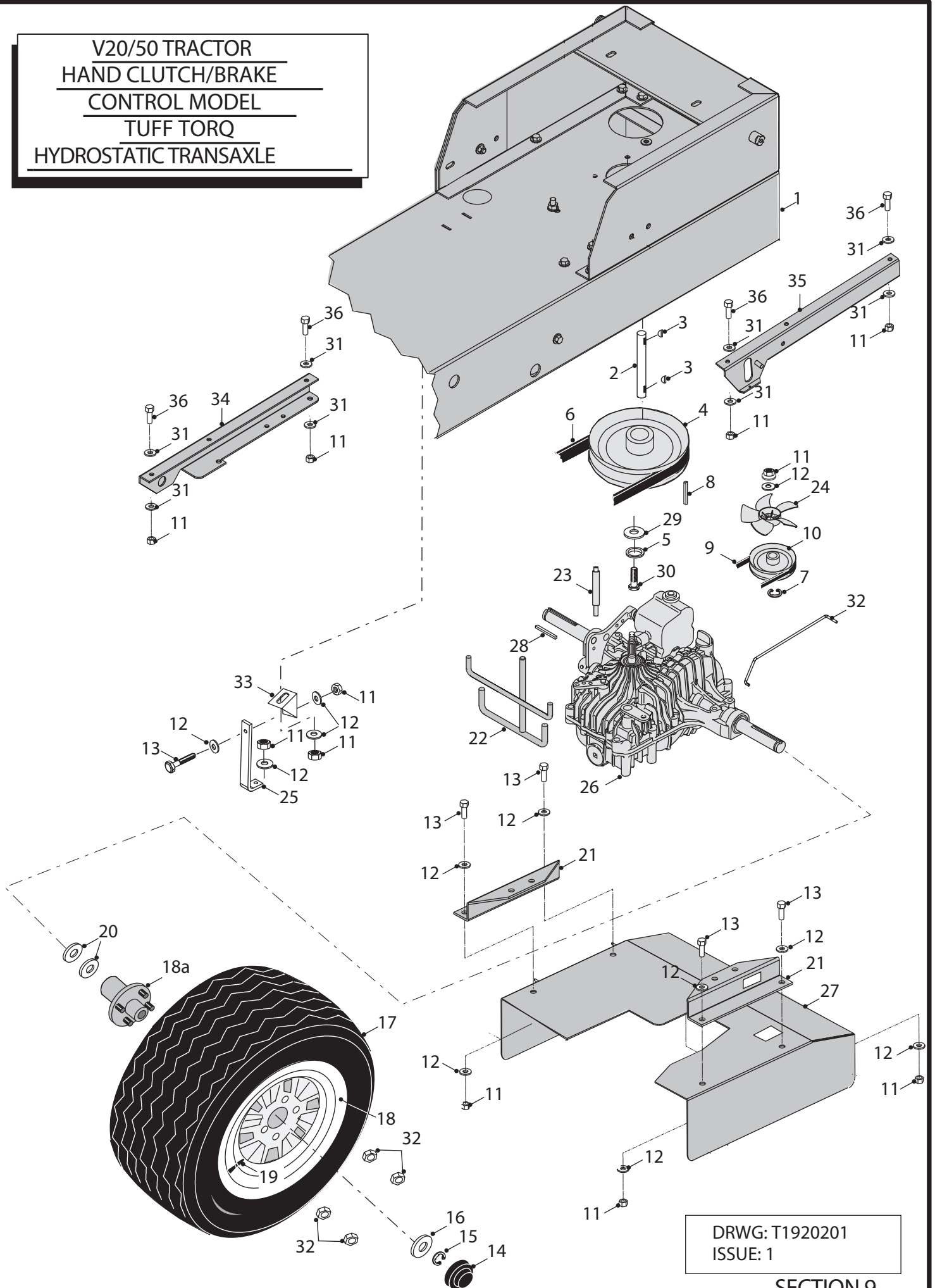


DRWG: T1910201  
 ISSUE: 1

**V20/50 TRACTOR  
HAND CLUTCH / BRAKE CONTROL MODEL  
P.T.O. & TRANSMISSION DRIVE ASSEMBLY  
PARTS LIST**

	PART DESCRIPTION	PART NUMBER
1	Chassis	327006300
2	Transmission PTO Jockey Pulley Plastic	20811500
3	20/50 Jockey Pulley Plate	321122700
4	M8 Nyloc Nut	04850600
5	20/50 Park Brake Rod Trunnion	183018600
6	Belt Retaining Bracket	27105800
7	20/50 PTO Engage Rod	313010801
8	M10 Nyloc Nut	04886100
9	M10 Washer 10.8 i.d x 20.7 o.d x 2mm Thk	088002400
10	20/50 Transmission Rod	313018600
11	20/50 Park Brake Engage Rod	313010701
12	Trunnion (PTO Engage)	18806100
13	20/50 Compression Brake Rod	259405100
14	20/50 Spring Plate (Park Brake)	301119600
15	Bolt M8 x 25mm	02826000
16	M8 Washer	08819501
17	M10 Lock Nut	04872100
18	Transmission Jockey Plate	321122300
19	Split Pin 1/8" x 1"	06823300
20	7" Pulley	327006500
21	Transaxle Pulley	20870700
22	A91Dayco Super II Belt	228001500
23	Sweeper Jockey Cap	31351100
24	M8 Internally Serrated Shakeproof Washer	088003800
25	M8 Nyloc Nut	04826400
26	20/50 Transmission Front Belt Guide	313006200
27	20/50 Transmission Trunnion	183023200
28	Spacer	31330800
29	20/50 Brake Rod Tube	183019100
30	Bolt M8 x 45mm	02941000
31	Belt Tension Spring	25849600
32	Oilite Bush	52824700

V20/50 TRACTOR  
 HAND CLUTCH/BRAKE  
 CONTROL MODEL  
 TUFF TORQ  
 HYDROSTATIC TRANSAXLE

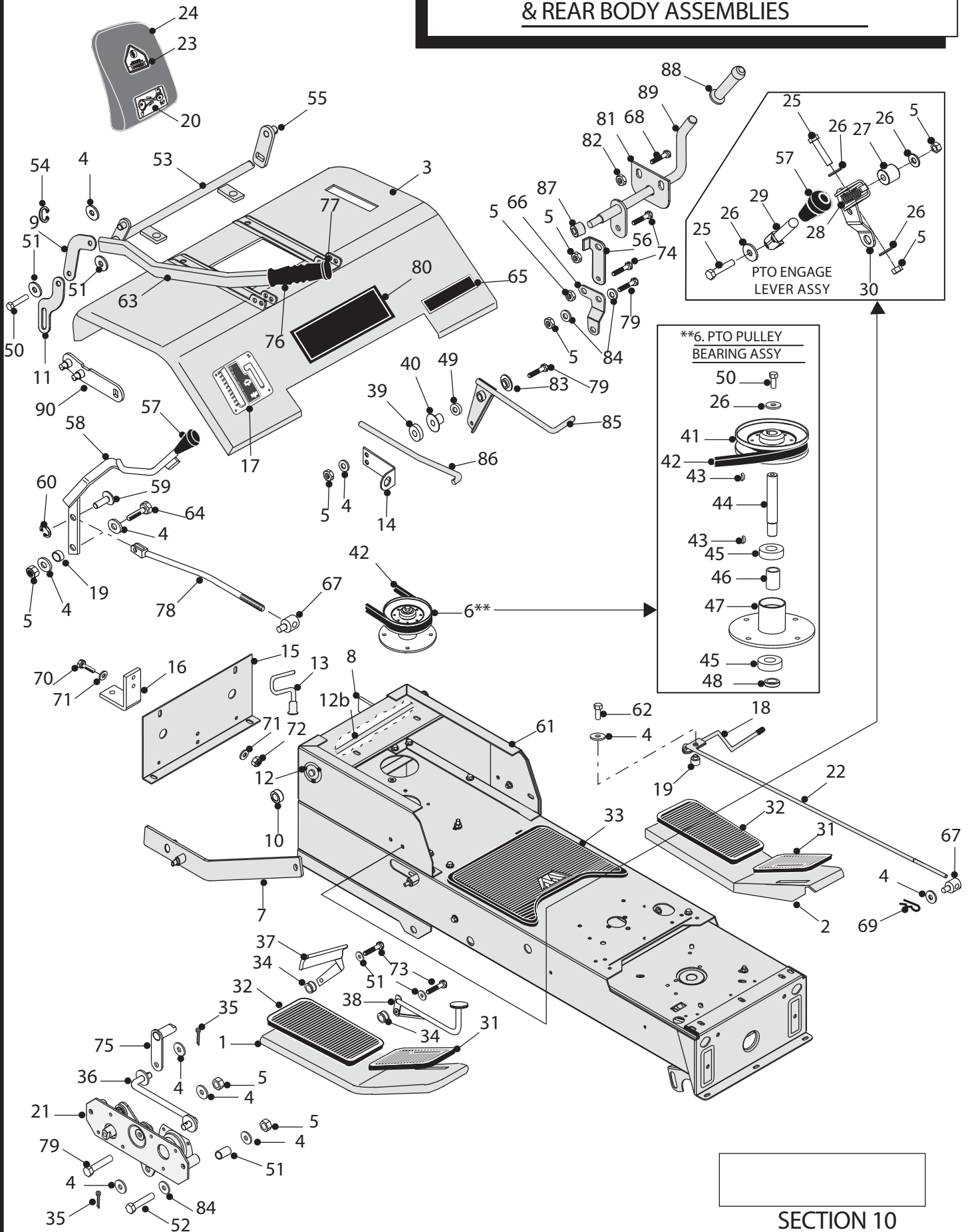


DRWG: T1920201  
 ISSUE: 1

**V20/50 TRACTOR HAND CLUTCH / BRAKE CONTROL MODEL  
TUFF TORQ HYDROSTATIC  
PARTS LIST**

	<b>PART DESCRIPTION</b>	<b>PART NUMBER</b>
1	Chassis	327006300
2	P.T.O. Shaft	31306000
3	Key	09823900
4	7" Pulley	20870700
5	M8 Washer Shakeproof	088003800
6	A91 Dayco Super II Belt	228001500
7	14mm Circlip Mecro	07906600
8	Key	09830700
9	Torque Bracket	30137700
10	Pulley	20904400
11	M10 Flange Nut Nyloc	049381600
12	Washer 32 o.d. x 10.5 i.d. x 3thk	089418800
13	Bolt M8 x 20mm	02825900
14	Hub Cap	14811800
15	Circlip 24mm External	078000900
16	Thrust Washer	307191900
17	Complete Rear Wheel	198001500
18	20/50 Rear Tyre	198000400
	Grease Nipple	11898800
	`O' Ring	24898700
	M8 Internally Serated Shakeproof Washer	088003800
18a	20/50 Rear Rim	198000500
19	Wheel Valve	14889200
20	Washer 3/4" x 1" o.d	30127800
21	Transaxle Grass Deflector Bracket	301119500
22	Double Belt Guide	327021800
23	20/50 LH Transaxle Steady Rod	313019100
24	20/50 Hydro Cooling Fan	14802900
25	20/50 RH Transaxle Support Bar	292003500
26	20/50 K62 Hydrostatic Tuff Torq Transaxle	478000400
27	20/50 Transaxle Deflector	301119700
28	Washer M8 x 25 x 3	089418600
29	20/50 Dump Valve Rod	313010600
30	M8 Washer	08819501
31	20/50 Wheel Nut	048000800
33	20/50 RH Transaxle Bracket	327009300
34	20/50LH Transaxle Bracket	301041700
35	Bolt M8 x25mm	02826000

**V20/50 TRACTOR**  
**HAND CLUTCH/BRAKE CONTROL MODEL**  
**RUNNING BOARD**  
**& REAR BODY ASSEMBLIES**



**V20/50 HAND CONTROL MODEL  
RUNNING BOARD  
& REAR BODY ASSEMBLIES  
PARTS LIST**

	PART DESCRIPTION	PART NUMBER
1	Westwood V20/50 RH Running Board	327180500
2	Westwood V20/50 LH Running Board	327180400
3	Westwood V20/50 Rear Body	307183900
4	M8 Washer	08819501
5	M8 Nyloc Nut	04920100
6	5" PTO Pulley	208000400
7	Sweeper Lift Bar R/H	327180800
8	Sweeper Lift Bar L/H	327180900
9	Sweeper Lift Upper Link	307184200
10	Crossbar Spacer	31323502
11	V20/50 Sweeper Lift Lower Link	307184600
12	Bearing	10802200
12a	Sweeper Lift Rod Bar	313006300
13	Sweeper Belt Retaining Pin	32723800
14	Park Brake Switch Plate	307190600
15	Rear Chassis Panel	301041600
16	Tow Bracket	29200101
17	V20/50 Deck Height Gate	307184000
18	Deck Tension Lever	321122800
19	Deck Height Pivot Boss Spacer	18317400
20	Sweeper Belt Decal ( PTO Flap)	35809400
21	Transmission Cassette	409427400
22	Deck Tension Rod	31805601
23	PTO Decal	35804600
24	PTO Flap	149496300
25	Bolt M8 x 25mm	02826000
26	Washer M8 x 25 x 3 Unplated	089418600
27	Spacer	31329201
28	Spring	25831100
29	PTO Engage Lever	32708700
30	PTO Plate	30134501
31	Westwood LH Front Running Board Mat	148009900
31	Westwood RH Front Running Board Mat	148010000
32	Westwood LH Rear Running Board Mat	148010400
32	Westwood RH Rear Running Board Mat	148010300
33	Westwood Centre Running Board Mat	148010200



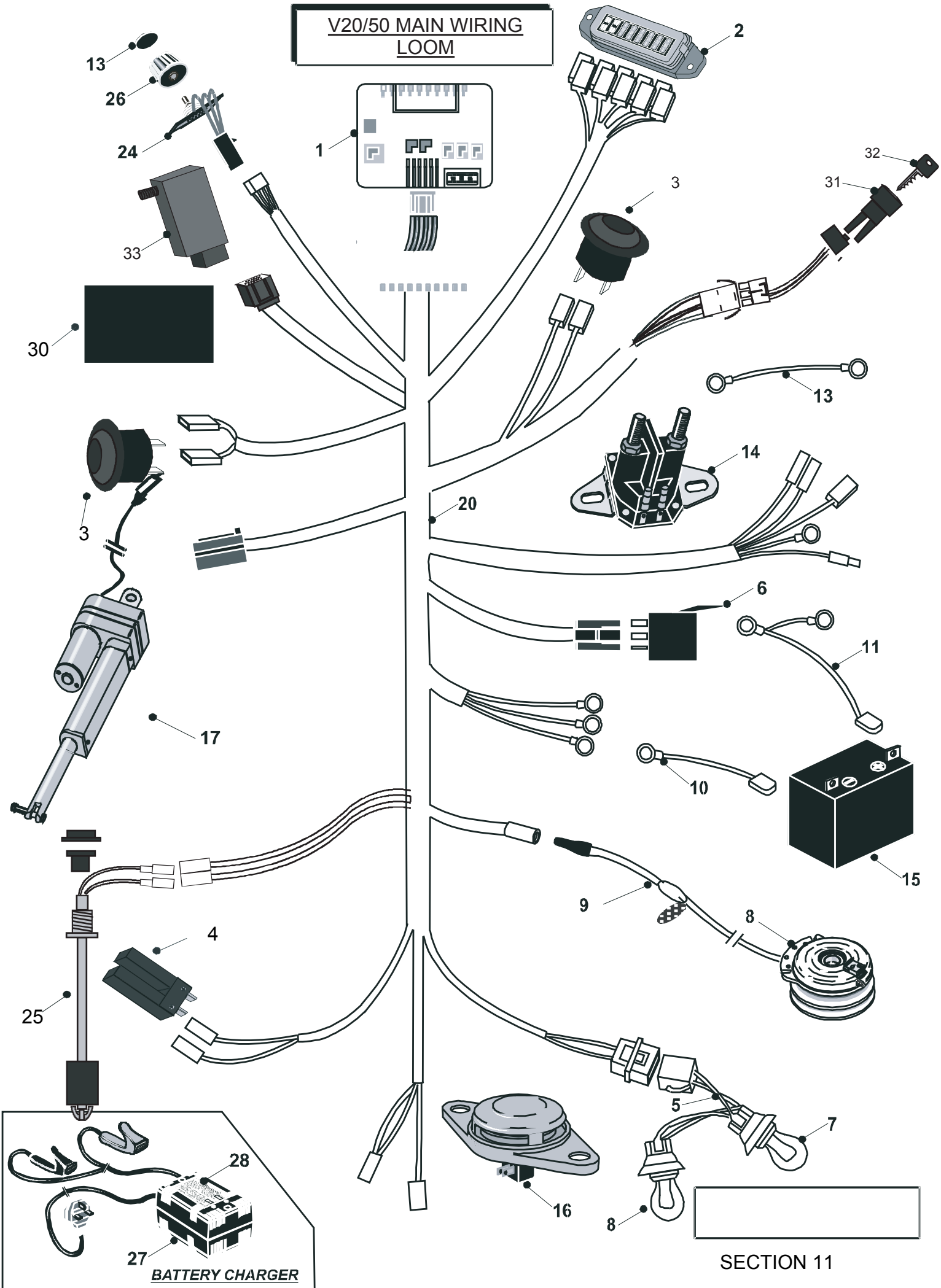
**V20/50 HAND CONTROL MODEL  
RUNNING BOARD  
& REAR BODY ASSEMBLIES  
PARTS LIST**

34	Pedal Spacer	321123400
35	Split Pin 1/8" x 1"	07823300
36	Forward / Reverse Cassette Rod	313018900
37	20/50 Forward Pedal	32717400
38	20/50 Reverse Pedal	328958800
39	Bridge Spacer	31326100
40	Spacer	31328900
41	5" PTO Pulley	208000400
42	A54 Belt Dayco	228001900
43	Key	09835300
44	PTO Shaft	32306000
45	Bearing	10802200
46	Spacer PTO Centre	31334800
47	PTO Bearing Housing	32700301
48	PTO End Spacer	31306200
49	Washer M12 x 24 x 1.6	088003600
50	Bolt M8 x 20mm	02825900
51	Spacer	31322200
52	M8 x 75mm Hx Hd Bolt Zinc Plated & Clear Passivated	018005600
53	Sweeper Lift Handle Tube	327181000
54	E-Clip M12 Plated	078000800
55	Cross Shaft Link Bar	327180700
56	Park Brake Upper Link Plate	301120100
57	Lever Knob	14804800
58	Deck Height Lever	327360600
59	Clevis Pin 3/8"	31340800
60	Circlip 3/8" External	07846800
61	20/50 Seat Box	327010400
62	Bolt M8 x 45mm	02941000
63	Sweeper Lift Handle	327181200
64	Bolt M8 x 50mm	018001800
65	Decal IBS 50" Deck	358010100
66	Park Brake Lower Link Plate	301120200
67	Trunnion	18805500
68	Bolt M6 x 20mm	018000300
69	Rue Clip	11836700
70	M10 x 20mm Bolt	02800300
71	Washer 10.8 i.d. x 20.7 o.d x 2mm	088002400

**V20/50 HAND CONTROL MODEL  
RUNNING BOARD  
& REAR BODY ASSEMBLIES  
PARTS LIST**

72	Lock Nut M10	04872100
73	Bolt M6 x 25mm Plated	028002900
74	M8 x 30mm Roofing Bolt	01902600
75	20/50 Brake Link Rod	327022200
76	Soft Foam Grip (Black) c/w 14880500	38936500
77	Soft Foam End Plug	14880500
78	Deck Height Adjustment Yoke	327180300
79	Bolt M8 x 50mm	018001800
80	Decal `Read Safety Instructions`	359506300
81	20/50 Park Brake Lever Support Plate	301119100
82	Nut M6 Nyloc	04920500
83	Bonnet Pivot Boss	31306100
84	Washer 25mm	028001800
85	Pedal Plate	321122200
86	Diff. Lock Control Rod	313010400
87	20/50 Park Brake Lever Spacer	183018700
88	Hand Brake Lever Knob	187185000
89	20/50 Park Brake Lever	327022101
90	Sweeper Lift Link L/H	328954500
	Sweeper Link Arm R/H	328954400

V20/50 MAIN WIRING LOOM

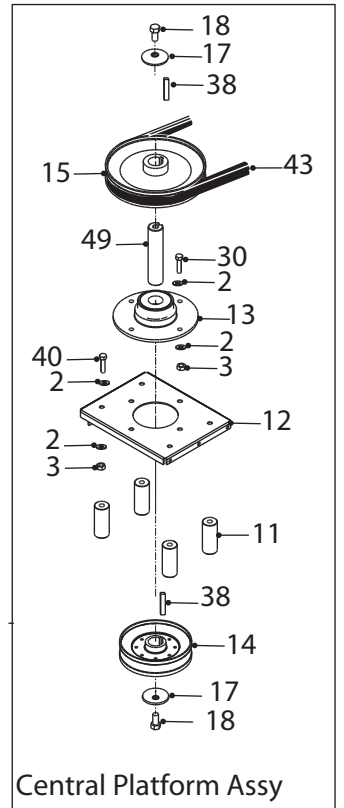
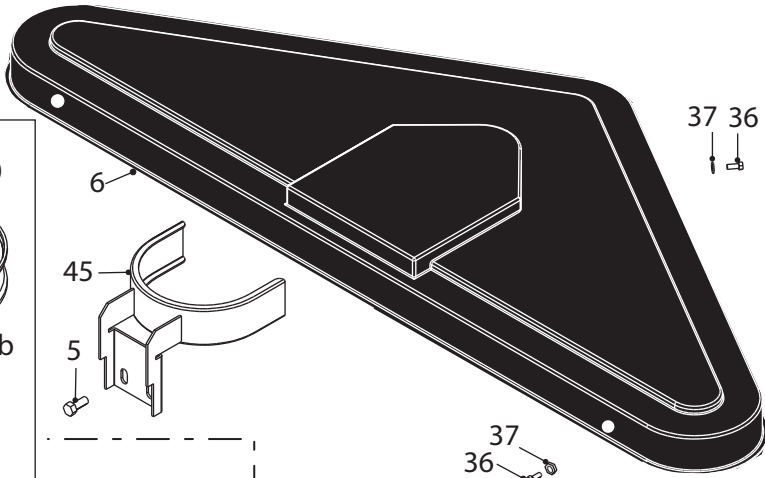
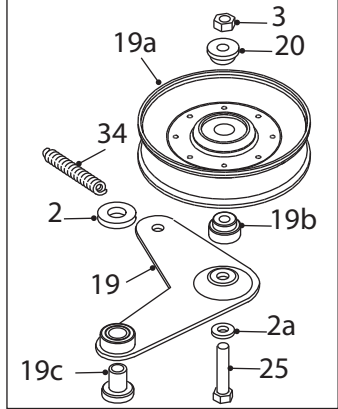


**V20/50**  
**DIAL HEIGHT LOOM**  
**PARTS LIST**

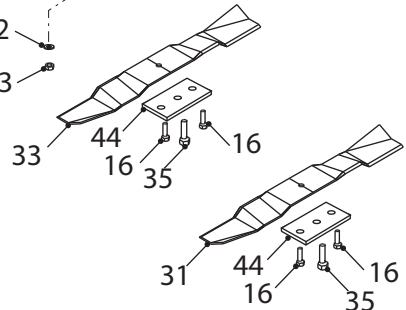
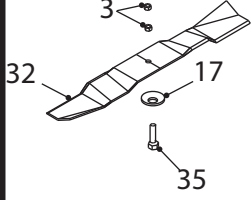
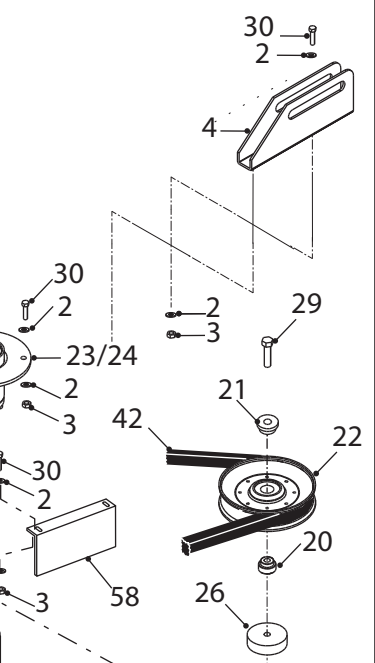
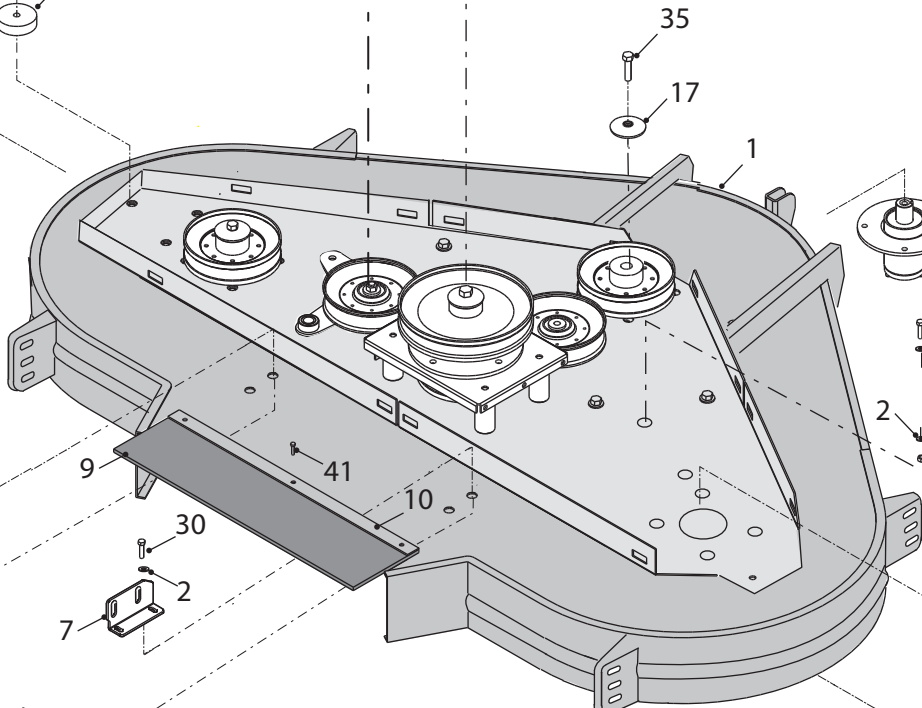
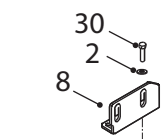
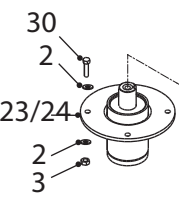
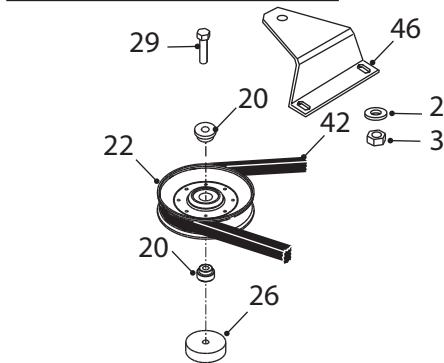
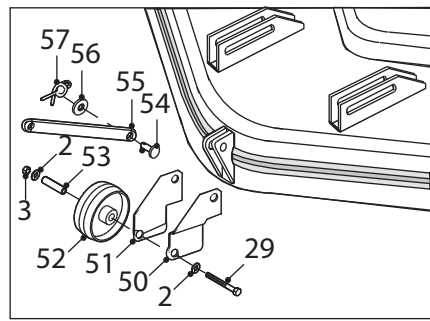
	PART DESCRIPTION	PART NUMBER
1	Main Control PCB	449561700
2	Fuse Box Holder	301139400
3	Momentary switch	448016100
4	Position Sensor Switch	449666600
5	Headlight Loom	449562400
6	Electric Relay 12v / 30amp	449559100
7	Bulb Hella 21W	448008500
8	Electric Magstop Clutch	44936100
9	Clutch Loom Magstop	44946800
10	Lead Battery to Solenoid	44812602
11	Earth Lead	44812402
12	Start Lead (Briggs & Stratton Engines only)	44812500
13	Collet Knob Cap (HE only)	148011001
14	Starter Solenoid	44814801
15	U1-34 12v Battery (Gel Type)	458141200
16	Seat Switch	44949500
17	Hiwin Actuator 1200N	448015700
18	10A Fuse (not illustrated)	44889500
19	Fuse Spade 20A (not illustrated)	44835000
20	Loom with Dial Height	449562000
21	Tie Wrap (Not Illustrated)	52825400
22	Tie Wrap Mount (Not Illustrated)	52816800
23	Tie Wrap Self Adhesive (Not Illustrated)	52816700
24	Dial Height Switch PCB (HE only)	449561501
25	Dial Height Loom & Fuel Sender	448015200
26	Collet Knob (HE only)	148010600
27	Westwood Battery Charger	449562800
28	Battery Charger Decal	SEE SECTION 13B
29	Battery Charger Instructions (not illustrated)	36919500
30	PCB box	148016700
31	Ignition switch	448010700
32	Ignition Key	528006900
33	Dial Height PCB (HE only)	448017103
	<i>Illustrations Not Shown</i>	
34	Briggs and Stratton engine loom block connector	448015600

**V20/50 SERIES**  
**REAR DISCHARGE DECK**

**Jockey Plate Assy**



**Central Platform Assy**



DRWG: T1950305  
 ISSUE: 5

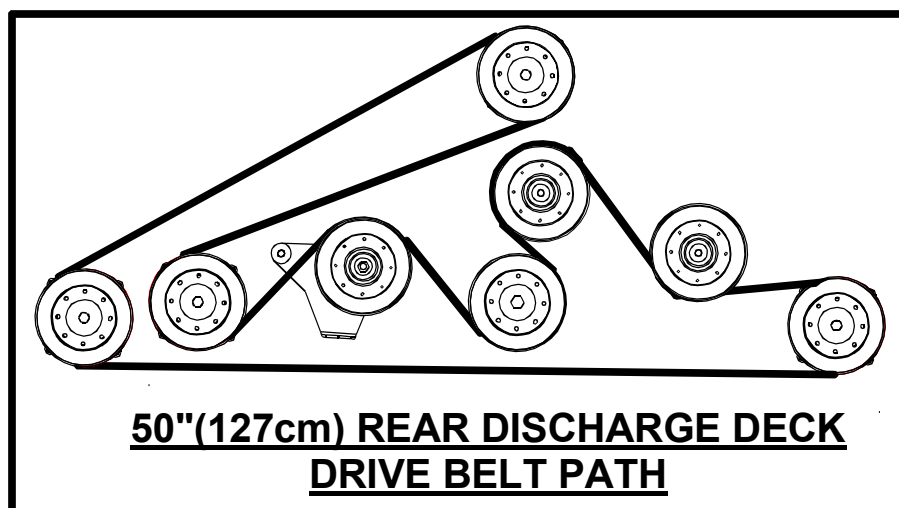
**SECTION 12**

V20-50 TRACTOR  
REAR DISCHARGE DECK  
PARTS LIST

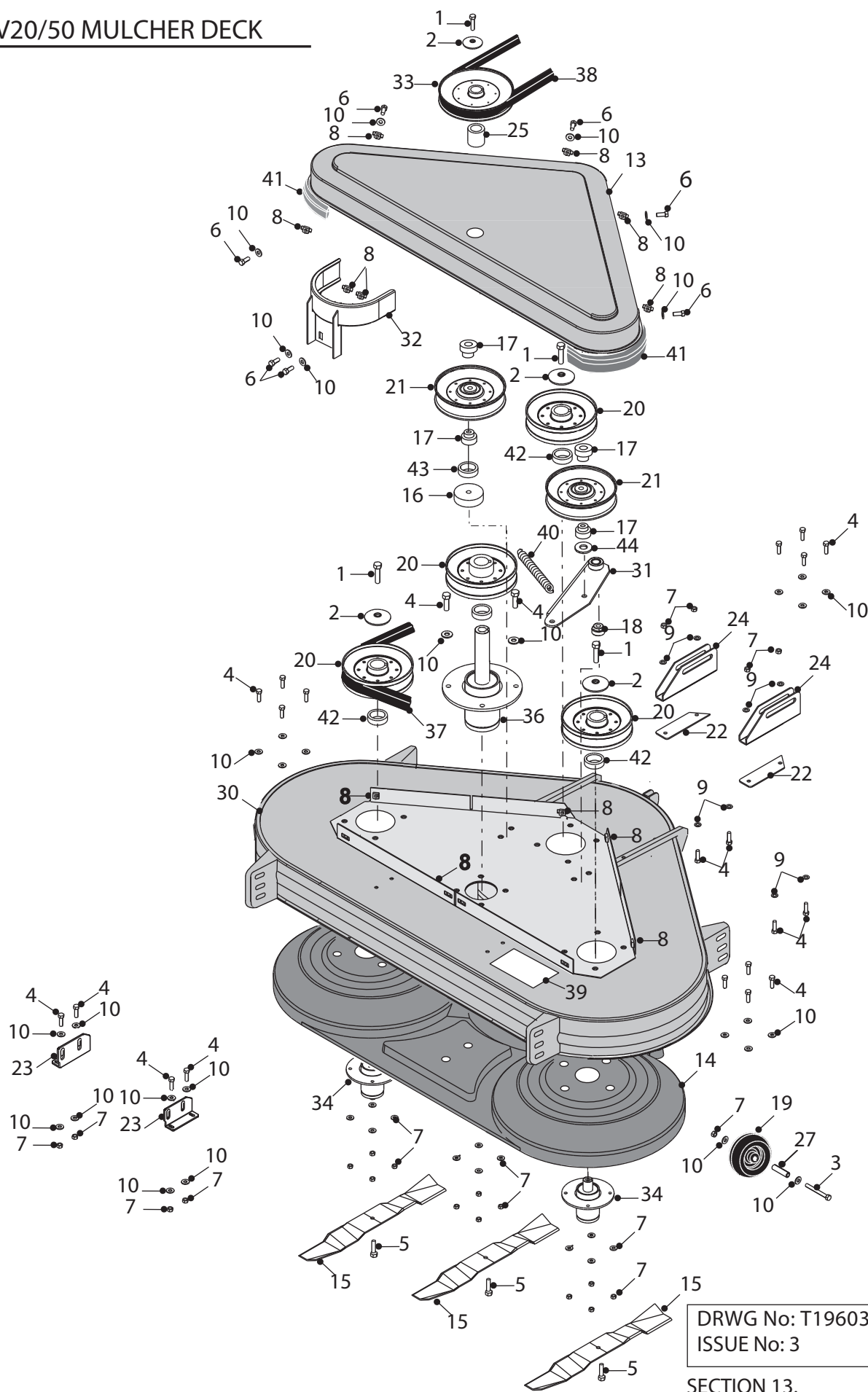
	PART DESCRIPTION	PART NUMBER
1	50" IBS Deck Shell	321001301
2	Washer M8 x 25 x 3mm	089418600
2a	Washer M8	08819501
3	M8 Nyloc Nut	04920100
4	Front Deck Hanging Bracket	302005000
5	M8 Form `B' Washer	088001800
6	Plastic Deck Cover	148005000
7	50" IBS Universal Deck Bracket RH	307186700
8	50" IBS Universal Deck Bracket LH	307186600
9	Rubber Flap	14868900
10	50" Deck Rubber Fixing Strip	301050900
11	Deck Spacer	183012000
12	50" Deck Platform	301050800
13	50" Deck Bearing Housing	405005000
14	Steel Deck Pulley	20869500
15	Deck Drive Pulley	20870200
17	Dome Washer 1.3/4" od x 3/8" id x 1/8" dome	08819900
18	M10 Washer	088002400
19a	Steel Deck Pulley c/w Bearing	20869600
19b	20/50 Deck Tension Pulley Bracket	327021600
20	Sweeper Jockey Cap (Top Hat Spacer)	31351100
21	Spacer Jockey Wheel Pulley	18831600
22	Bolt M8 x 20mm	02825900
23	Bolt M8 x 15mm	01864800
24	Short Shaft Bearing Housing	40503704
25	Bolt M8 x 25mm	01902300
26	Deck Idler Pulley Spacer	18300420
27	Scuff Wheel Hub	31337600
28	Anti – Scalp Wheel ½" Bore	19905500
28a	Anti – Scalp Wheel March 2000	149495800
29	S/Screw M8 x 70mm	01850700
30	IBS Deflector Plate	301050600
31	Blade 19" Right Hand	169381300
32	Blade 19" Left Hand	169381400
33	17.5" Right Hand Blade 3 Hole	16929000
34	Deck Tension Spring	25906200
35	Bolt M10 x 30mm	02886000
36	S/Screw M5 x 16mm	02912200
37	Rue Clip	11836700

V20-50 TRACTOR  
REAR DISCHARGE DECK  
PARTS LIST

38	Key 1/4" Square x 1 1/4 "	09853400
39	Deck Shaft Pivot	183012400**
40	M8 x 75mm Hx Hd Bolt Zinc Plt & Clear Passivated	01832300
41	Rivet 4.8mm x 16mm	12860100
42	Deck Belt BB155	22950200
43	B56 Belt Dayco Super 2	22940100
44	Tab Washer	27111200
45	50" Rear Discharge Deck Belt Guard	327014300
46	Deck Bracket	301057300
47	Deck Spacer Plate	301058800
48	50" Decks Centre Scalp Bracket Formed	307022600
49	50" Deck Centre Scalp Wheel Flat Plate	307022700
50	Deck Push Rod Pin	31338200
51	Deck Tension Bar	29203700
52	M8 Star Washer	088000800
53	M8 Captive Nut	04825800
54	M8 x 40mm Bright Zinc Plate Bolt	018003200
	** only available in assy 405005000 - item 13	



# V20/50 MULCHER DECK



DRWG No: T1960303  
ISSUE No: 3

SECTION 13.



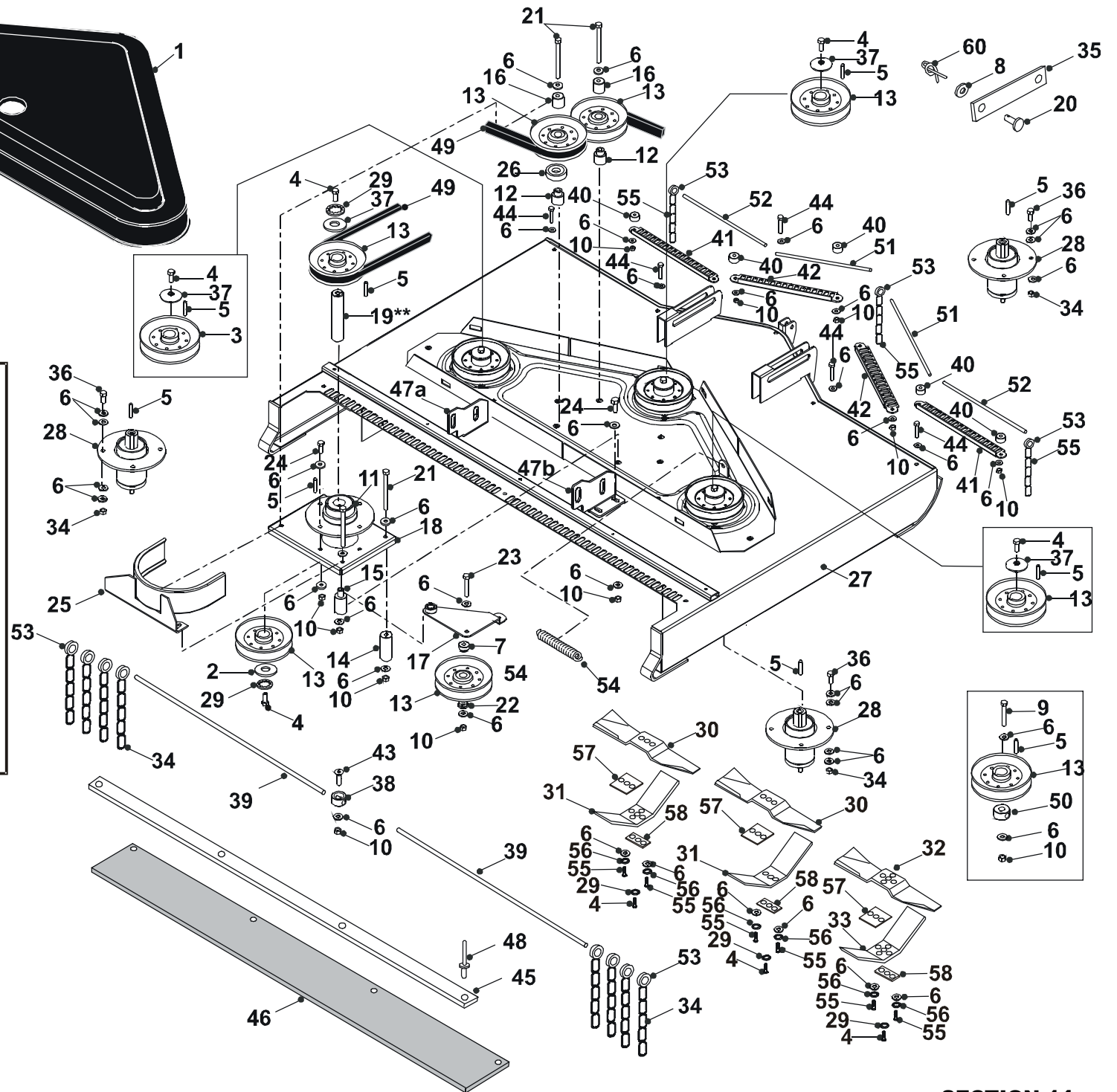
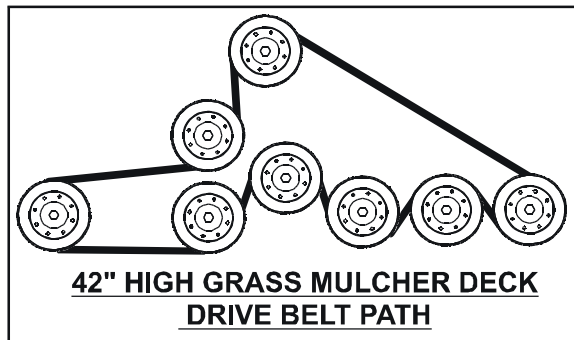
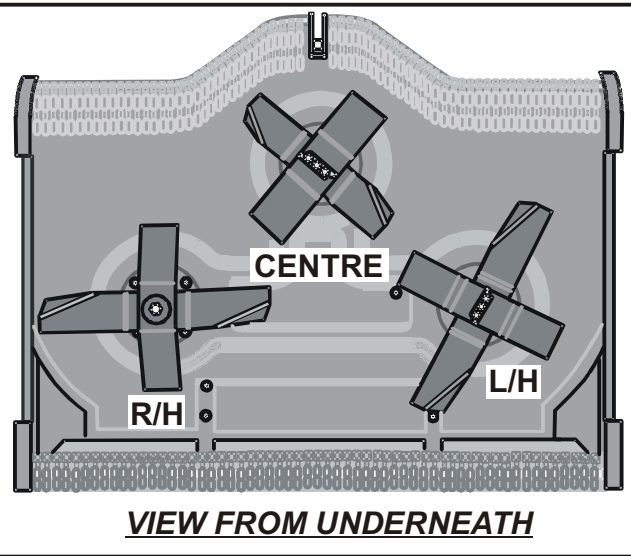
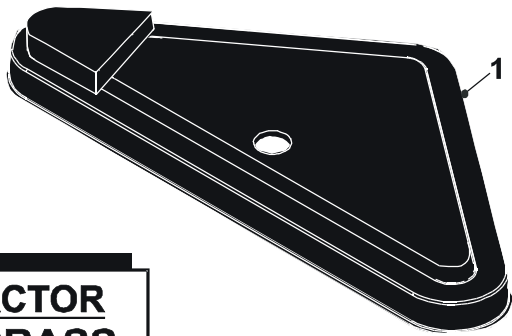
**V20-50 TRACTOR  
MULCHER DECK  
PARTS LIST**

	PART DESCRIPTION	PART NUMBER
1	Bolt M8 x 35mm	01801600
2	Dome Washer 1.3/4" x 3/8" x 1/8" dome	08819900
3	S/Screw M8 x 70mm	01850700
4	Bolt M8 x 25mm	01902300
5	M10 x 30mm Bolt	018003000
6	Self Tapping Screw Hex Head 4.8 x 16	028001500
7	M8 Nyloc Nut	04850600
8	Belt B57	22871200
9	M8 Washer	08819501
10	Washer M8 x 25 x 3mm	089418600
11	M8 x 20mm Roof Bolt	018005200
12	Key 1/4" Square x 1.1/4	09853400
13	Deck Lid Cover 50" Mulcher 20/50	148003000
14	Deck Liner 50" Mulcher	148003100
15	Blade 19" Right Hand Mulcher 1 Hole 20/50	16938100
16	Deck Idler Pulley Spacer	18300420
17a	Sweeper Jockey Plate	31351100
17b	Spacer Jockey Wheel	18831600
18	50" Mulch Jockey Plate Pivot Shaft	189498400
19	Anti - Scalp Wheel March 2000	149495800
20	Steel Deck Pulley	20869500
21	Steel Deck Pulley c/w Bearing	20869600
22	M8 Captive Nut	04825800
23a	Deck Hanging Bracket Rear L/H	301124200
23b	Deck Hanging Bracket Rear R/H	301124300
24	Front Deck Hanging Bracket	302005000
25	Deck Drive Pulley Spacer	31328301
26	PTO Bridge Spacer	31326100
27	Anti - Scuff Wheel Hub	31337600
28	Pulley Spacer	183023100
29	50" Deck Centre Scalp Bracket	307022600
30	50" Mulcher Deck Shell	327006600
31	50" Mulch Jockey Pulley Plate	327362400
32	Mulch Deck Drive Belt Guard	327008700
33	Deck Drive Pulley c/w 31328301 Big Spacer	20870200
34	Short Shaft Bearing Housing	40503704
35	Deck Tension Spring	25906200
36	Deck Bearing Housing , Long Shaft	40503504
37	Belt BB112 - 50" Mulcher Deck	228000900

**V20-50 TRACTOR  
MULCHER DECK  
PARTS LIST**

	PART DESCRIPTION	PART NUMBER
38	Ant Scalp Wheel ½" Bore	19905500
39	Deck Push Rod Pin	31338200
40	Mulch Deck Tension Bar	29203700
41	M12 Washer	088001200
42	Rue Clip	11836700
43	50" Deck Centre Scalp Wheel Flat Plate	307022700
44	Bolt M8 x 55 Bolt HT BZP	019479800
45	M8 Form `B' Washer	088001800
46	M8 x 40 Bright Zinc Plate Bolt	018003200

**V20/50 TRACTOR  
42" HIGH GRASS  
MULCHER DECK**



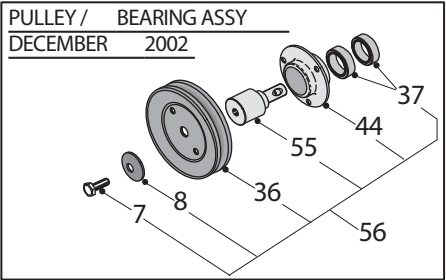
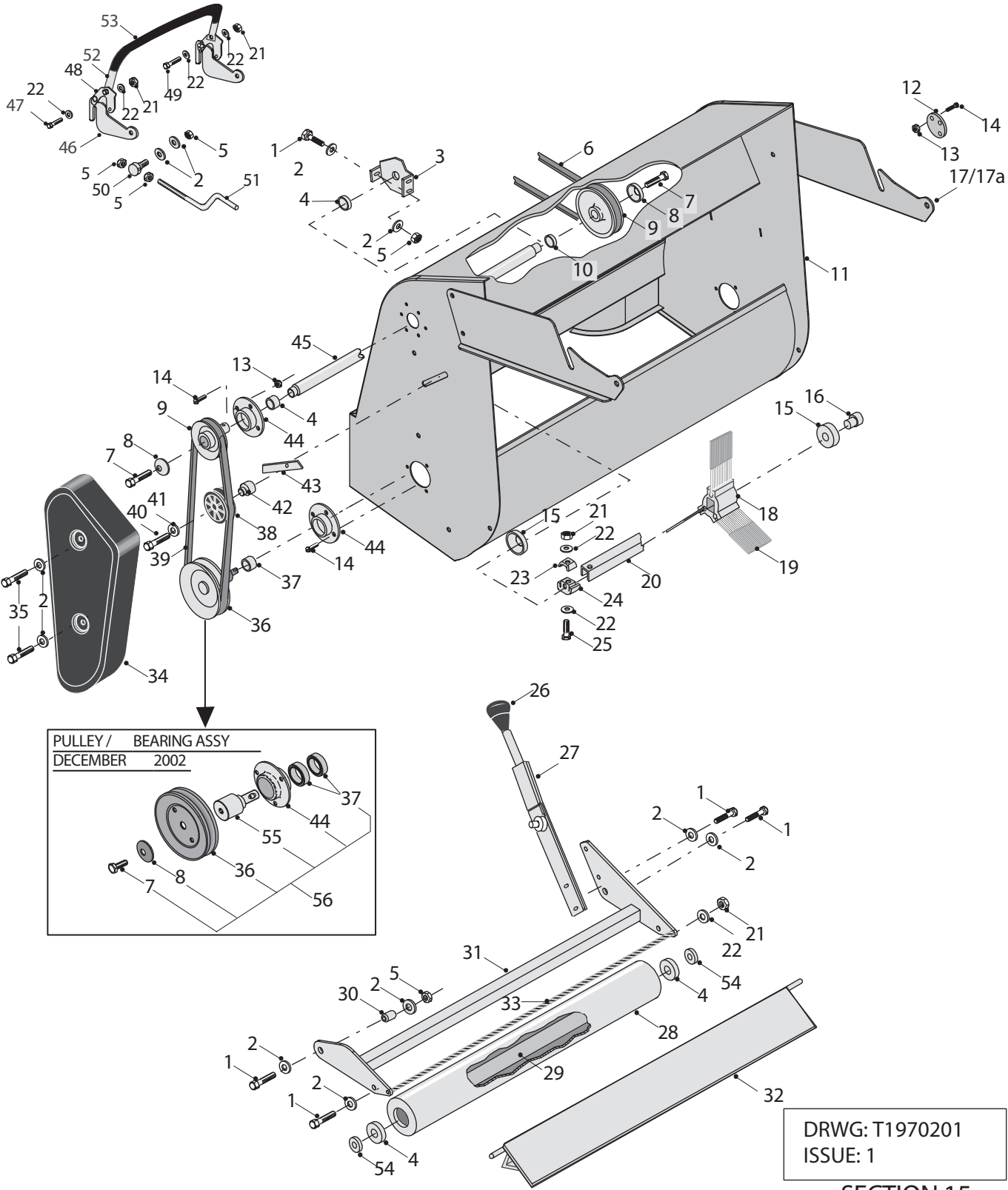
**V20/50 TRACTOR  
42" HIGH GRASS MULCHER DECK PARTS LIST**

	PART DESCRIPTION	PART NUMBER
1	Deck Lid Cover	149497200
2	Washer 40 x 10mm	08824600
3	Rue Clip	11836700
4	Bolt M10 x 30mm	018002100
5	Key ¼" sq x 1.1/4"	09853400
6	M8 Washer	08819501
7	Spacer Jockey Wheel	18831600
8	M8 Form B Washer	088001800
9	Bolt M8 x 50mm	018001800
10	M8 Nut Nyloc	04850600
11	Platform Bearing Housing	405005000
12	Support / Idler Pulley Boss	183021600
13	Idler Pulley 5"	20869502
14	Bearing Plate Support (Tube Spacer)	183021900
15	Support / Jockey Pulley Pivot	183021800
16	Support / Jockey Pulley Spacer	183021700
17	Jockey Plate	327176700
18	Drive Bearing Support Plate	301130100
19	Central Drive Shaft 113mm	183012400
20	Deck Push Rod Pin	31338200
21	M8 x 90mm Hex Hd Bolt BZP	018003400
22	Jockey Cap Boss	31351100
23	Bolt M8 x 45mm	02941000
24	Roofing Bolt M8 x 20mm	018001500
25	Belt Guard	327171200
26	Deck Pulley Internal	20869600
27	42" HGM Deck Welded	327176600
28	Short Shaft Bearing Housing	40503604
29	10mm Starlock Washer	088002100
30	L/H HGM Blade (AC)	16000500
31	L/H "V" Blade (AC)	16000300
32	R/H Blade (CW)	16000400
33	R/H "V" Blade (CW)	16000100
34	GCD 1" Link Chain Small	238000300
35	Deck Tension Bar	29202400
36	M8 x 35mm Bolt	01935700
37	Dome Washer 1.3/4" x 3/8" x 1/8" Dome	08819900
38	Chain Rod Support Spacer	183022300

**V20/50 TRACTOR  
42" HIGH GRASS MULCHER DECK PARTS LIST**

39	Chain Rod 5/16" x 522mm	301123500
40	Front Chain Rod Spacer	183022700
41	Chain Plate Large	307018900
42	Chain Plate Small	307019000
43	Cap Screw M8 x 20cs	028001900
44	Bolt M8 x 40 Bright Zinc Plate Bolt	018003200
45	Rear Rubber Flap Fixing Strip	307020100
46	Rear Rubber Flap	148008400
47a	Universal Deck Hanging Bracket L/H	307186800
47b	Universal Deck Hanging Bracket R/H	307186900
48	Pop Rivet (Steel) 4.8 x 16	12860100
49	Belt BB100 – 42" HGM	229503500
50	Locking Collar Deck Spring Stop	31320400
51	Chain Rod 5/16" x 233mm	301123300
52	Chain Rod 5/16" x 279mm	301123400
53	Chain Rod Spacer	183011900
54	Deck Belt Tension Spring	25906200
55	Screw 8mm x 25mm	01916900
56	M8 Shakeproof Washer	088000800
57	HGM Blade Spacer	271116600
58	Locking Tab	27111200
59	Belt B52 Dayco	229503200

**WESTWOOD**  
**V20/50 TRACTOR**  
**POWERED**  
**GRASS COLLECTOR**



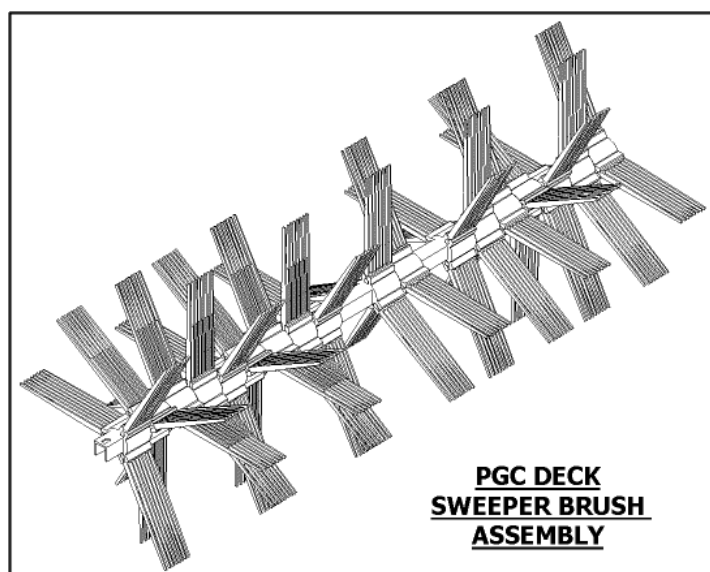
**DRWG: T1970201**  
**ISSUE: 1**

**V2050 TRACTOR  
POWERED GRASS COLLECTOR  
PARTS LIST**

	PART DESCRIPTION	PART NUMBER
1	Bolt M8 x 30mm	01902600
2	Washer M8	08819501
3	Idler Bearing Housing	307025600
4	Bearing 6203 2RS	10811600
5	Nut Nyloc M8	04920100
6	P.T.O. Belt A54	208000400
7	M10 x 25mm Set Screw BZP	028002300
8	Washer Domed 1.3/4" x 3/8" x 1/8" dome	08819900
9	3" Pulley (Non - Keyed)	32727600
10	Spacer Idler Shaft	31306200
11	Sweeper Body 2000	327172600
12	Sweeper Bearing Cap	30117500
13	Nut M5 Nyloc	04885900
14	Screw M5 x16mm Pozi Pan	02940500
15	Sweeper Slinger	32121800
16	Brush Stock Spindle - Short	31323900
17	Bag Ear L/H	301057700
17a	Bag Ear R/H	307025500
18	Bristle Boss	14833000
19	Sweeper Bristle Webbed	14936300
20	Brush Stock	17400200
21	Nut Nyloc M6	048001000
22	Washer M6	088003000
23	Brush Drive Moulding - Top	14834100
24	Brush Drive Moulding - Bottom	14832900
25	Bolt M6x45mm	018004000
26	Lever Knob	14804800
27	Sweeper Height Lifter	327171800
28	Roller	32731900
29	Roller Shaft Internal	183024400
30	Roller Plate Bush	31329200
31	Roller Housing	327172400
32	Scraper Plate	327016500
33	Roller Scraper Cable	528004400
34	Belt Guard	14848600
35	Bolt M8x65mm	028662700

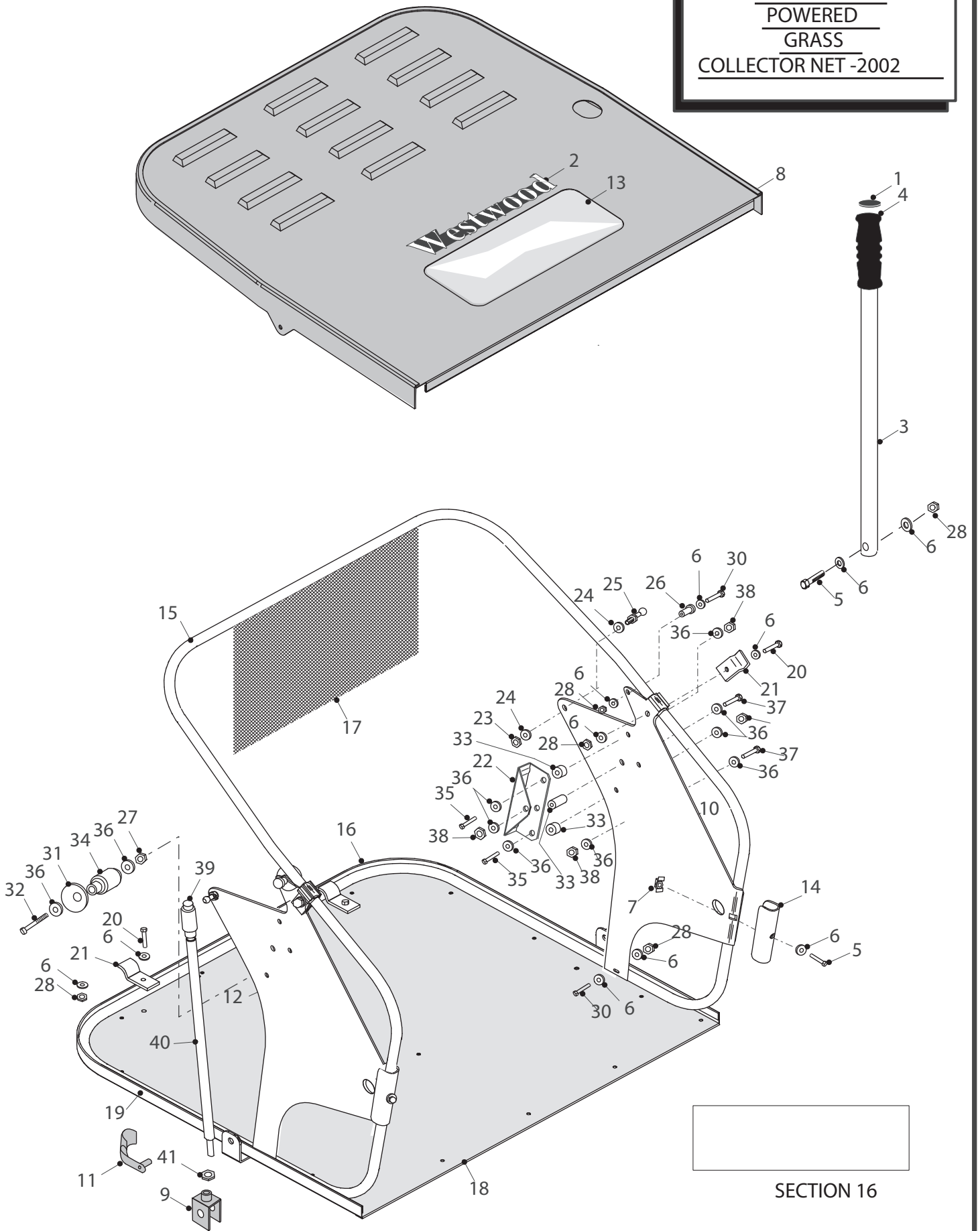
**V20/50 TRACTOR  
POWERED GRASS COLLECTOR  
PARTS LIST**

	PART DESCRIPTION	PART NUMBER
36	5" Pulley 5" Pulley (from December 2002)	327002600 209044200
37	Bearing 6203ZZ	10845500
38	Jockey Pulley	20811500
39	Belt - PTO Brush Drive 1464	22832800
40	Bolt M8x50mm	018001800
41	Sweeper Jockey Cap Boss	31351100
42	Sweeper Jockey Spacer	31350400
43	Belt Tension Plate	30121900
44	Bearing Housing 17mm	27106601
45	Idler Shaft	183005700
46	Lever	307177800
47	Bolt M6x16mm	028662300
	Decal "Roller Height" (Not Illustrated)	35937600
48	L.H. Sweeper Locking Lug	30149800
	R.H. Sweeper Locking Lug	30150300
49	Bolt M6x20mm	018000300
50	Trunnion M8	183003800
51	Adjustment Rod	313003500
52	Handle Locking Plate	178966300
53	Foam Handle Grip	149496600
54	Tubular Spacer	174003600
55	Brush Stock Spindle (from December 2002)	183027900
56	PGC Pulley Bearing Kit ( from December 2002)	401001500





WESTWOOD  
POWERED  
GRASS  
COLLECTOR NET -2002



SECTION 16

**WESTWOOD TRACTOR  
POWERED GRASS COLLECTOR NET 2002  
PARTS LIST**

	PART DESCRIPTION	PART NUMBER
1	Bag Tipping Handle Plug	14880500
2	Westwood Decal	9370
3	Tipping Handle	48402800
4	Soft Handle Grip (Black)	38936500
5	M6 x 40mm Hex Head BZP	018003600
6	Washer 9/16"	08827800
7	M6 x 3mm Captive Nut	049381900
8	PGC Bag Lid c/w Plastic Window	327018500
9	10mm x 1.5mm Clevis Short	108000600
10	Sweeper Net RH Side Plate	307187200
11	10mm Spring Pin Short	108000500
12	Sweeper Net LH Side Plate	307187300
13	Sweeper Window	14871500
14	PGC Bag Clamping Plate	30149600
15	MK2 Sweeper Upper Bag Frame	174006800
16	MK2 Sweeper Lower Bag Frame	174006900
17	PGC Collector Net 2002	389471901
18	Tr Sweeper Galvanised Floor	301058300
19	Floor Surround (Galvanised)	307026400
20	Bolt M6 x 20mm	018000300
21	Bag Floor Clamp	301008400
22	Tipping Handle Channel	307177300
23	M10 Nyloc Nut	04886100
24	Spacer	183025600
25	Quick Release Ball End Shaft	183010300
26	Deck Hanging Bracket Pivot	18321000
27	M8 Nut Nyloc	04920100
28	Nut M6 Nyloc	04920500
30	Screw M6 x 40mm	01901000
31	Domed Washer	307029900
32	Bolt M8 x 55mm	028662600
33	Spacer.	31330800
34	Boss Bag Frame Pivot	183023900
35	M8 x 35mm Bolt	01935700
36	M8 Washer	08819501
37	Bolt M8 x 20mm	02825900
38	Full Nut M8	04822300

**WESTWOOD V20/50 TRACTOR  
POWERED GRASS COLLECTOR NET 2002  
PARTS LIST**

	PART DESCRIPTION	PART NUMBER
39	Quick Release Ball Joint c/w Ball Section	183024900
40	PGC Adjuster Link Rod	183010402
41	M10 Locknut	04872100

**NOV 2006**

**SECTION 16**

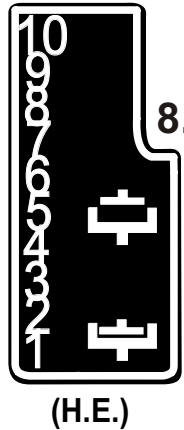
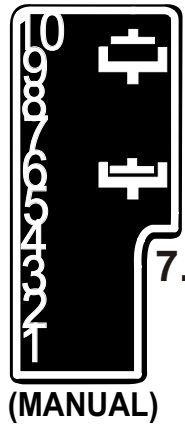
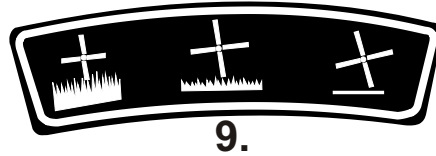
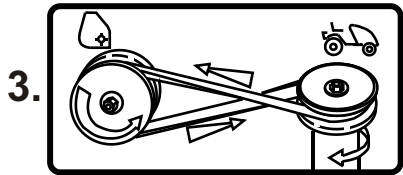
1. **Westwood**

2. **Westwood**



**WESTWOOD V20/50 TRACTOR  
DECALS 2006**

12. **107 CM / 42"**



5. **V20-50**

6.

**IMPORTANT - READ SAFETY INSTRUCTIONS BEFORE OPERATING THIS MACHINE**

**MULCHING**

- Do not reduce the height of the grass by more than 1/3 in a single pass
- Mow often - short cuttings of 25mm (1") or less decompose more quickly
- If possible, avoid cutting in wet
- Always cut with the engine at full running speed
- If necessary, reduce to prevent - increase cutting height
- Stop mowing before fuel is out
- Always keep the underside of the deck clean to permit good grass flow
- Always ensure that blades are sharp and in good condition

**VERBODEN TOEGEVOEGD AAN DE VOLGENDE NORMEN**  
EN ISO 5051, EN ISO 5052, EN ISO 5053, EN ISO 5054

21.

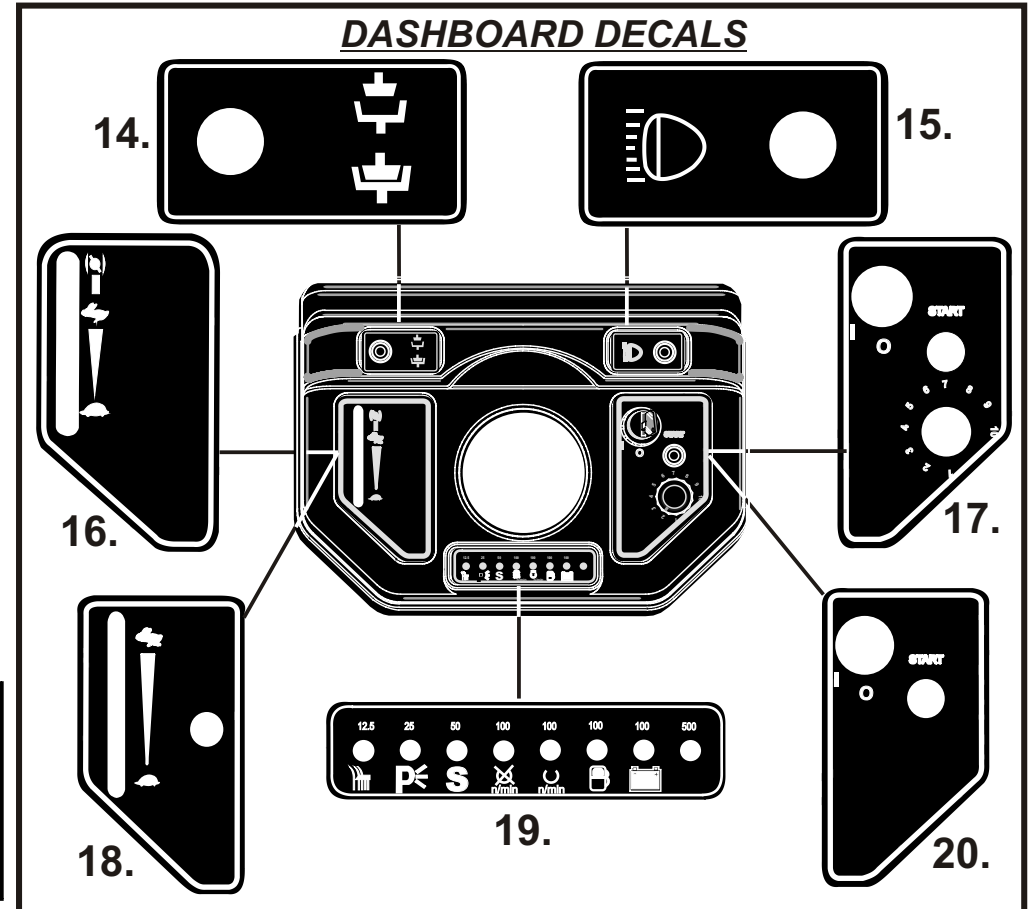
**Westwood**

**ATTENTION - Important information is contained in the Battery Charger Manual - Please read this carefully before using this charger. Only use this charger with the Countax Tractor Sealed Battery. Do not use in a sealed container or cover the ventilation slots. Place the charger on a solid surface with the indicator lights uppermost. Disconnect the charger from the mains before connecting or disconnecting the battery.**

**Instructions -**

1. Disconnect the Tractor battery leads from the battery
2. Connect the charger to the battery with the red clip to the red terminal (+) and the black clip to the black terminal (-)
3. Plug in and switch on the mains supply. The red light will illuminate
4. The battery will be sufficiently charged once the green light comes on but you can not overcharge your battery with this charger so it can be left connected until you next need to use your Tractor.

**! IMPORTANT - THIS SIDE UP ! PART No 44-95628-00**



**SERVICE DRWG:  
ISSUE:**

**WESTWOOD V20/50 DECALS 2004**  
**PARTS LIST**

	PART DESCRIPTION	PART NUMBER
1.	Decal Westwood Badge	358026100
2.	Side Bonnet Decal `Westwood`	9370
3.	Sweeper Belt Decal (Symbols Only)	35891200
4.	PTO Danger Label	35809500
5.	Decal V20-50 Consul	359502400
6.	Instruction Decal	359506300
7.	Deck Height PTO Disengage Manual Decal	35834200
8.	DK Height / PTO Engage Rear Body Decal	358005602
9.	Sweeper Height Decal	35937601
10.	IBS Decal	35931301
11.	Mulcher Decal	35945901
12.	Decal - 107cm Deck Size	35931700
13.	Handbrake Handle Badge	359505100
14.	Centre Clutch Switch Decal	358036000
15.	Headlight Switch Decal	358035900
16.	Throttle Choke Combined Decal	358035600
17.	Ignition Deck Height Decal	358035400
18.	Throttle & Choke Decal	358035500
19.	Display Decal	358035200
20.	Ignition Switch Decal	358035300
21.	Westwood Battery Charger Decal	359509400