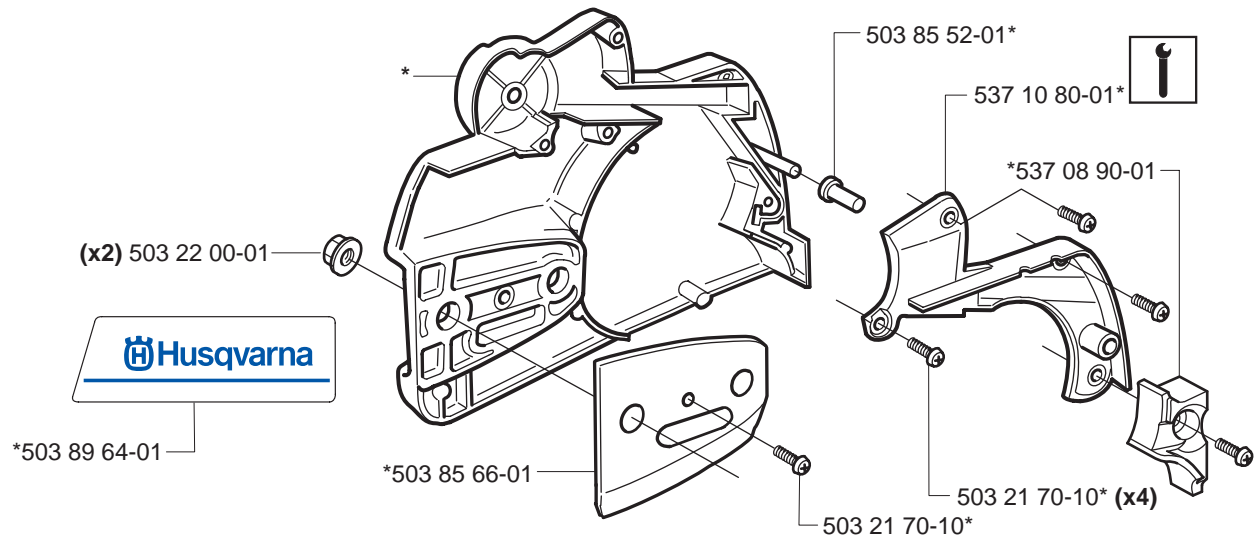
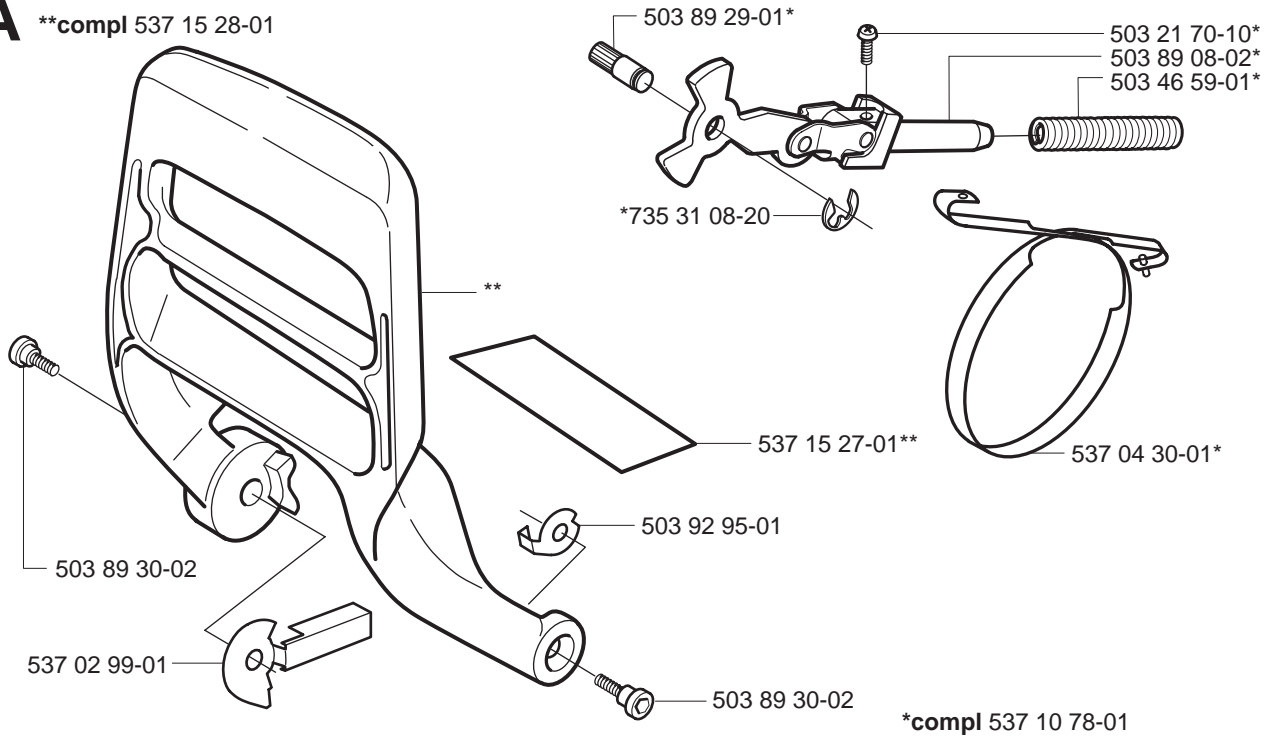
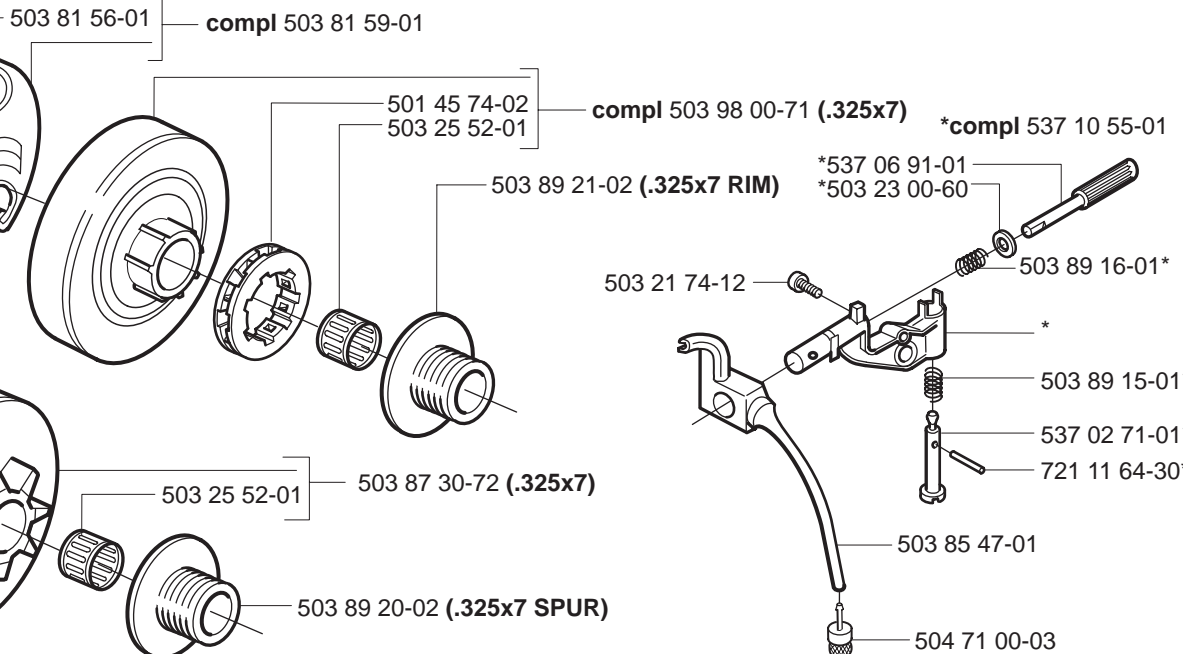
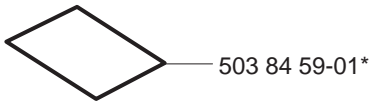
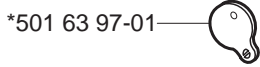
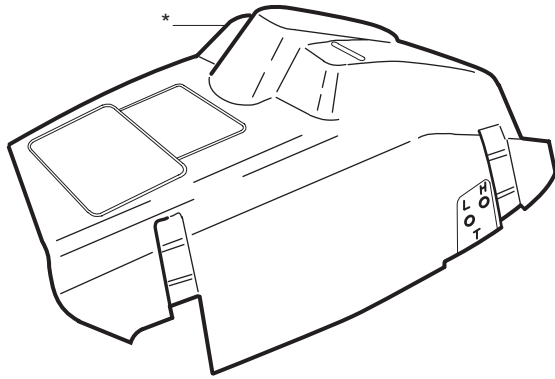


351, 351 EPA

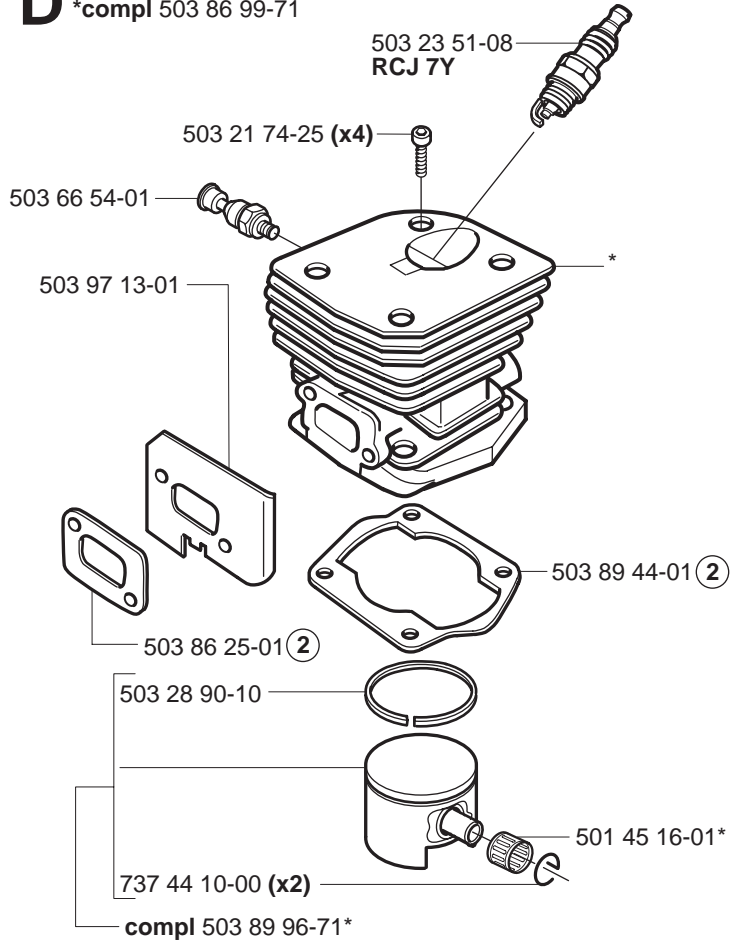
Spare parts	Replaces	
Ersatzteile	Ersetzt	
Pièces détachées	Remplace	
Reserve onderdelen	Vervangt	
Repuestos	Reemplaza	
Reservdelar	Ersätter	106 25 00-62

A****compl 537 15 28-01****B**

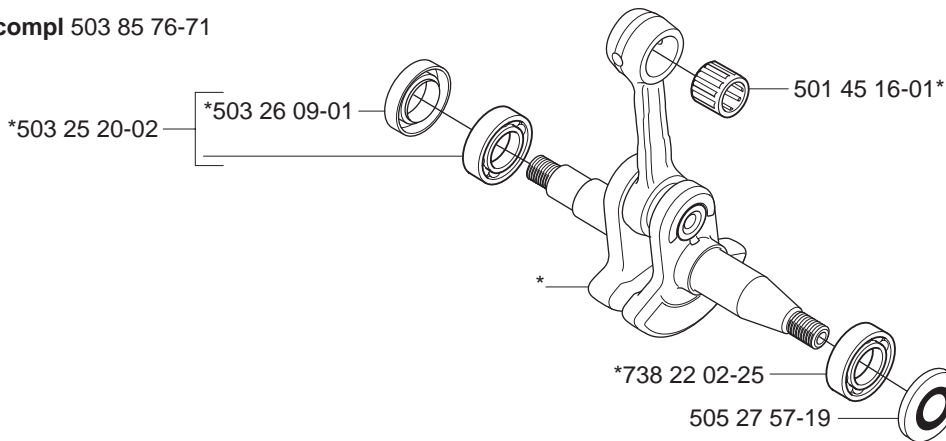
C *compl 503 90 90-02



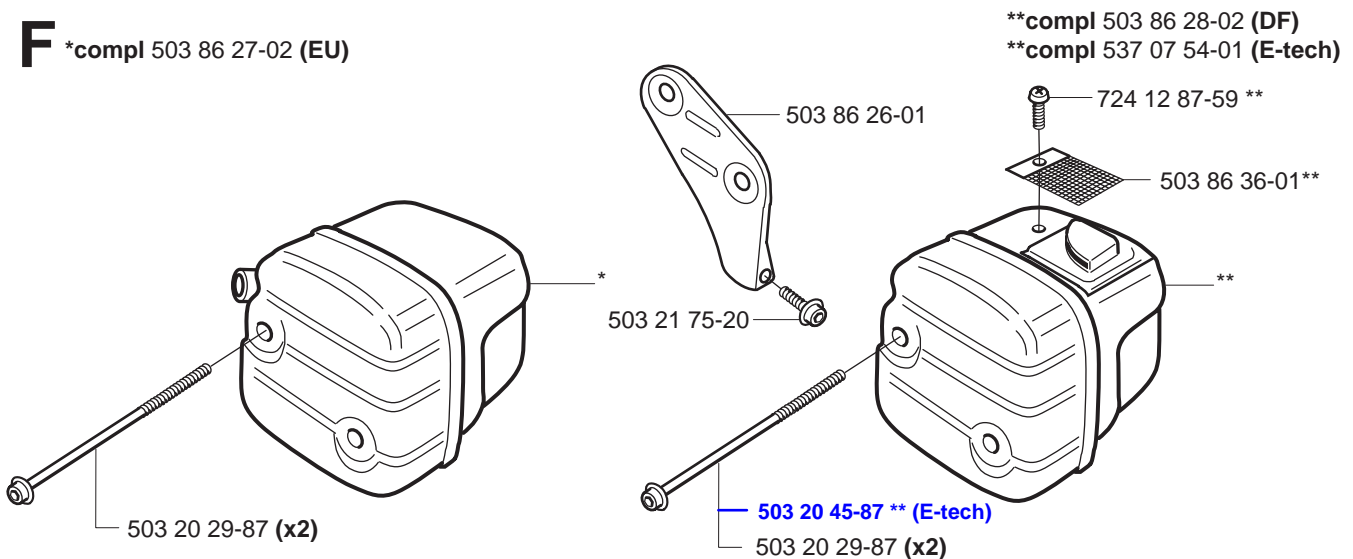
D *compl 503 86 99-71



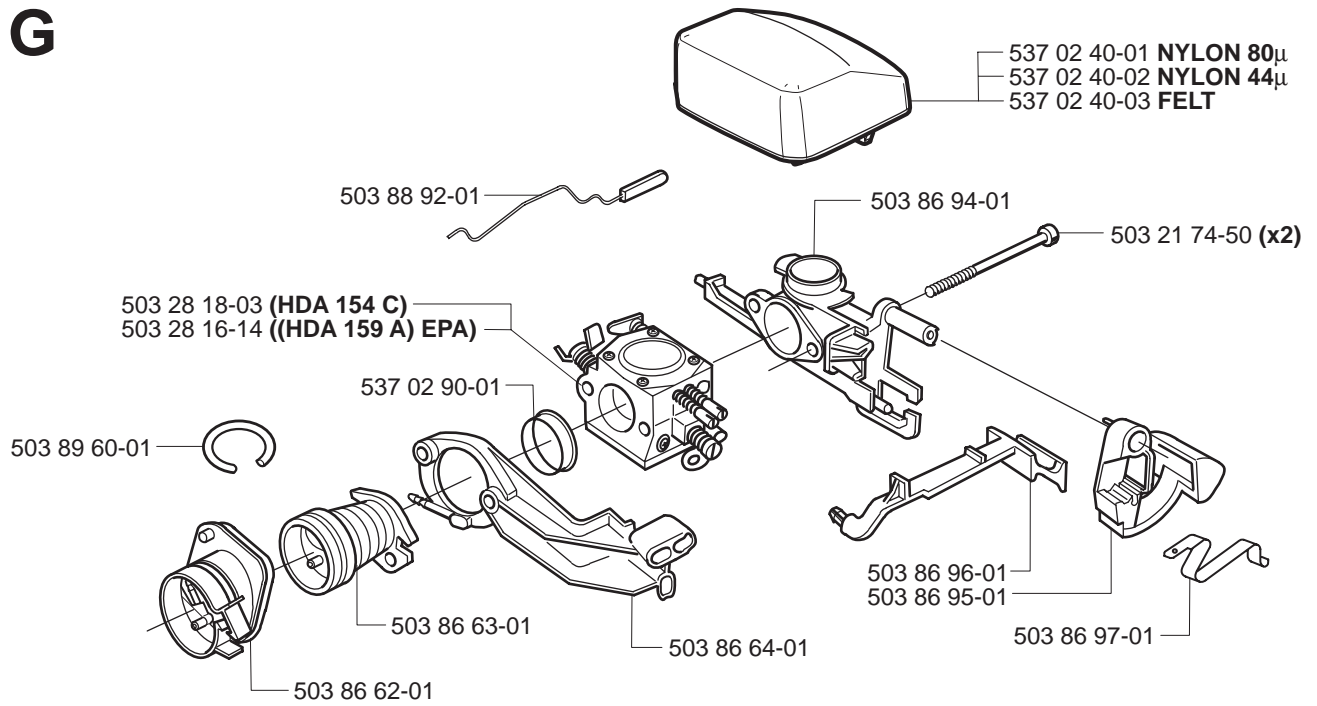
E *compl 503 85 76-71



F *compl 503 86 27-02 (EU)

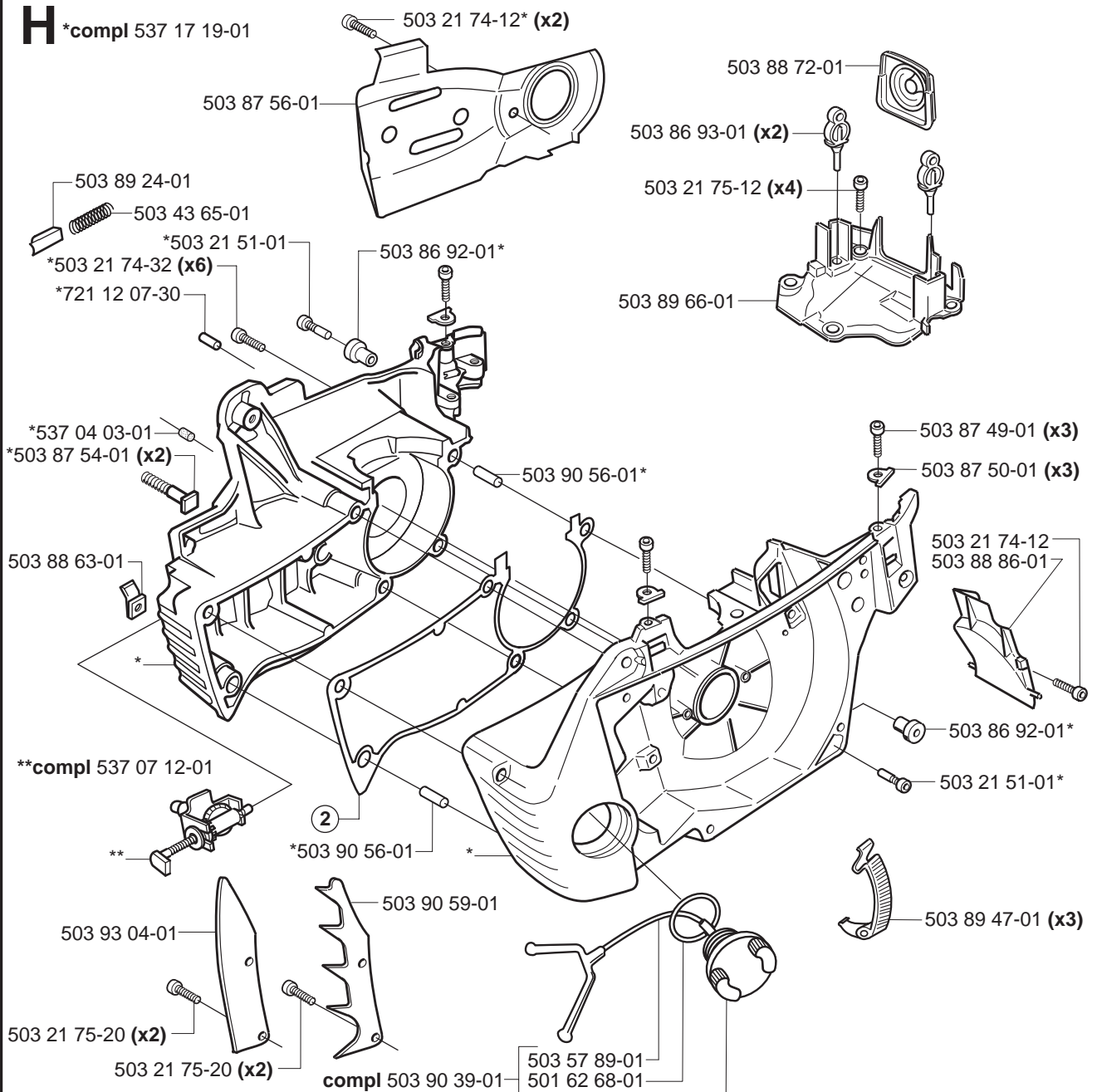


G

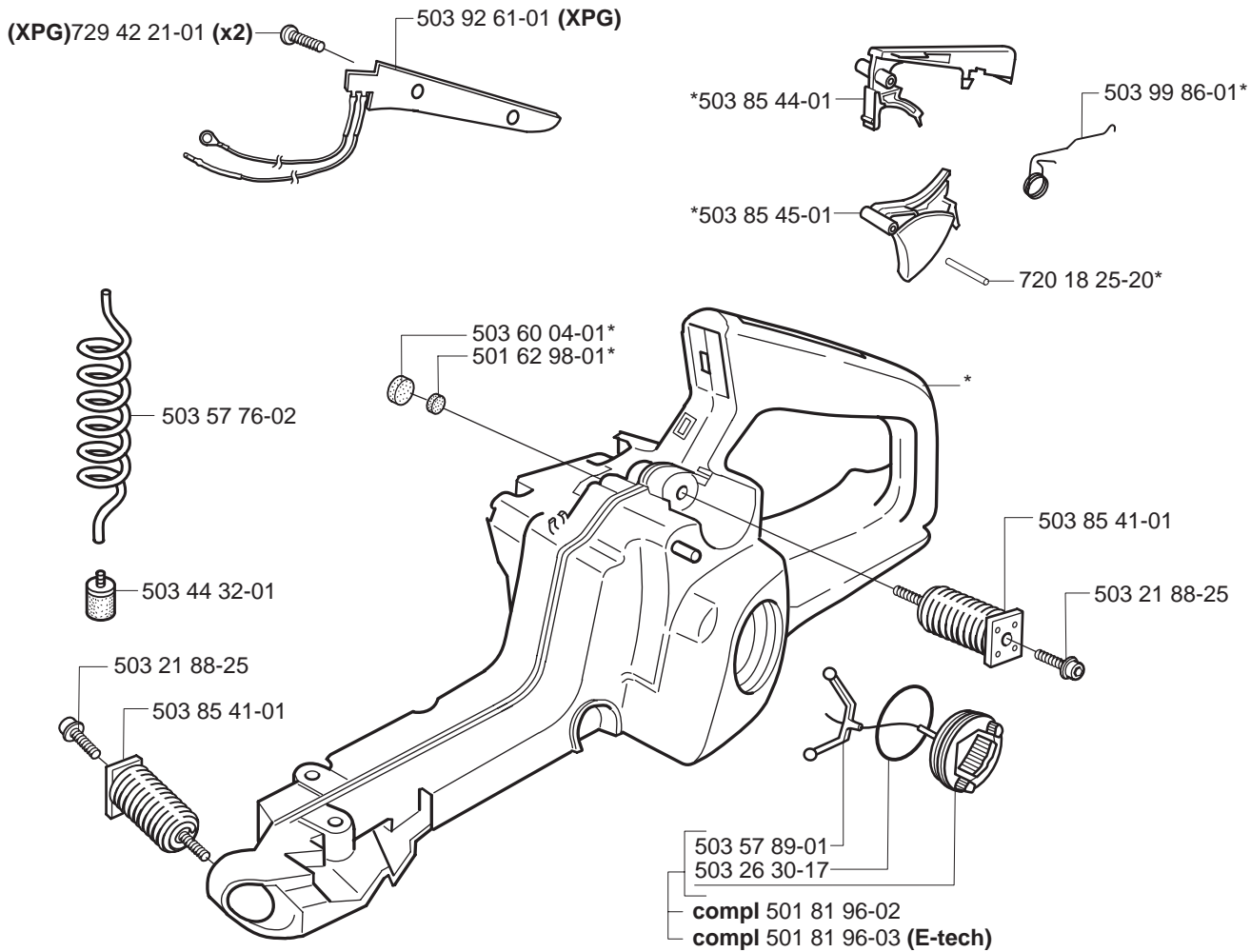


H

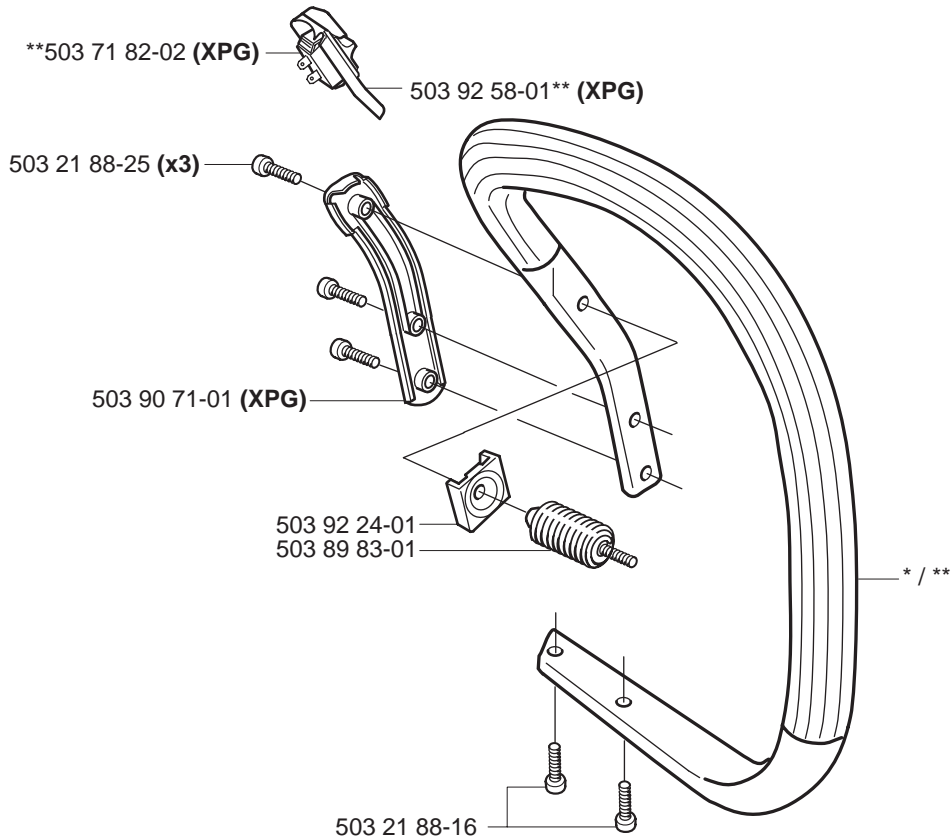
*compl 537 17 19-01



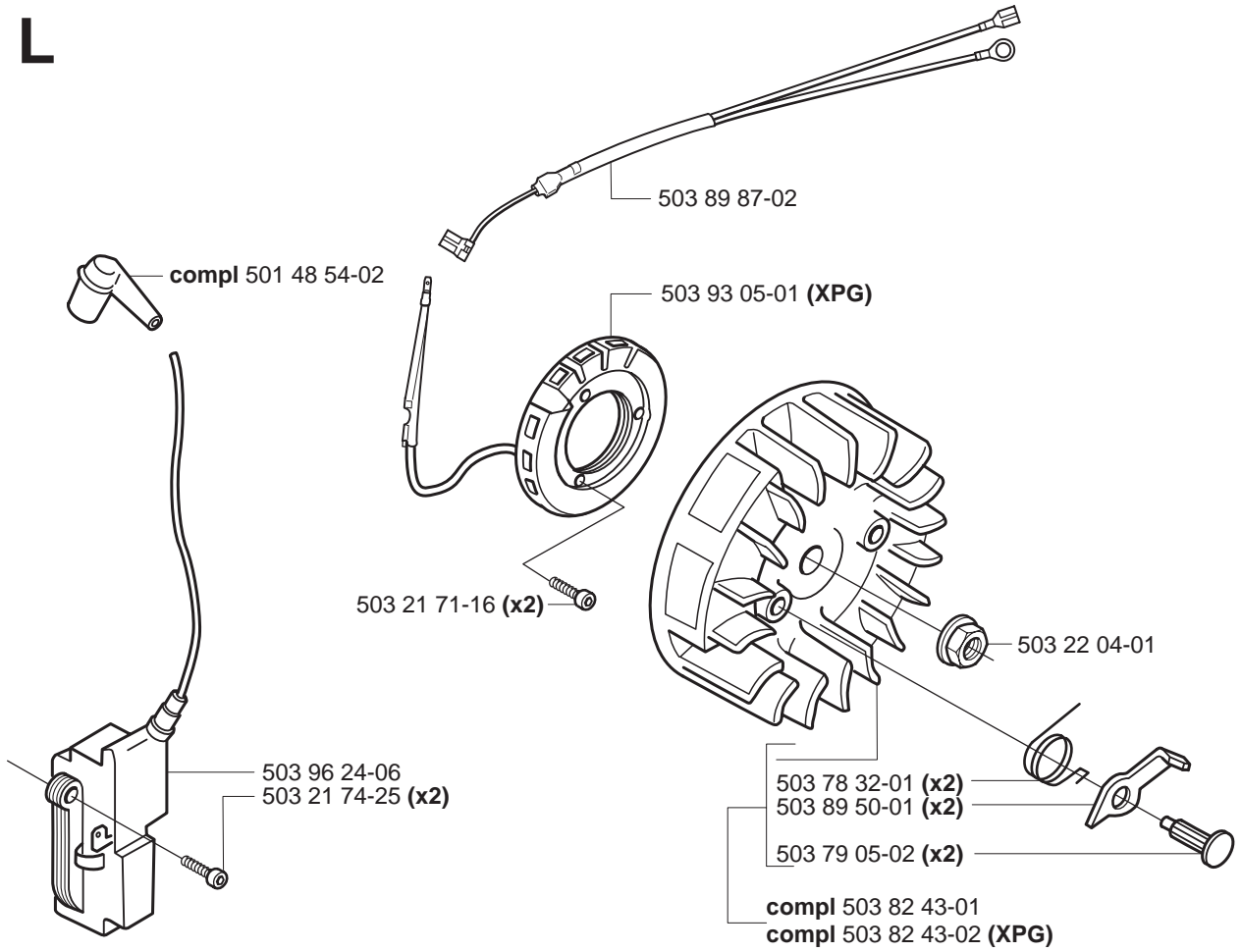
J *compl 503 86 37-71



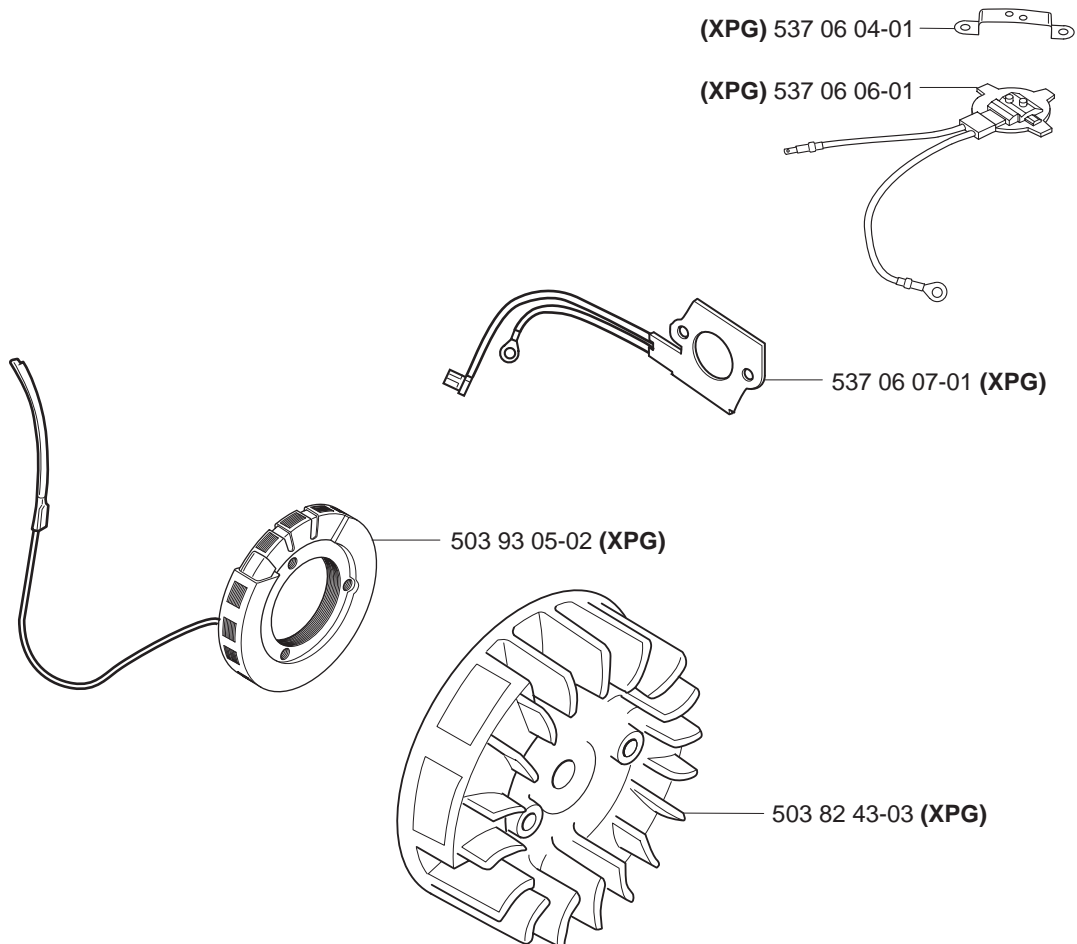
K *compl 503 90 93-01 **compl 503 90 93-02 (XPG)



L

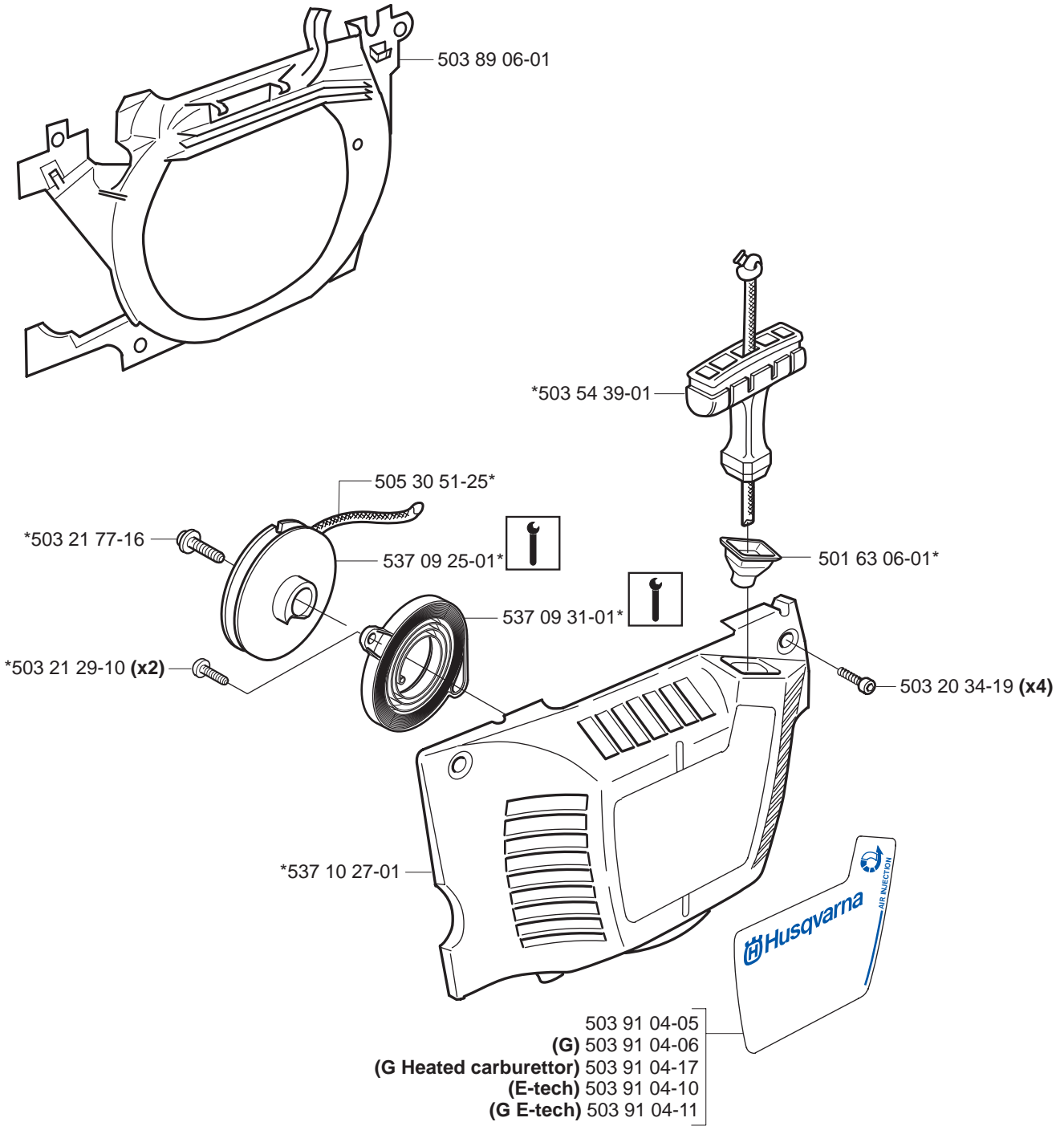


Heated carburettor

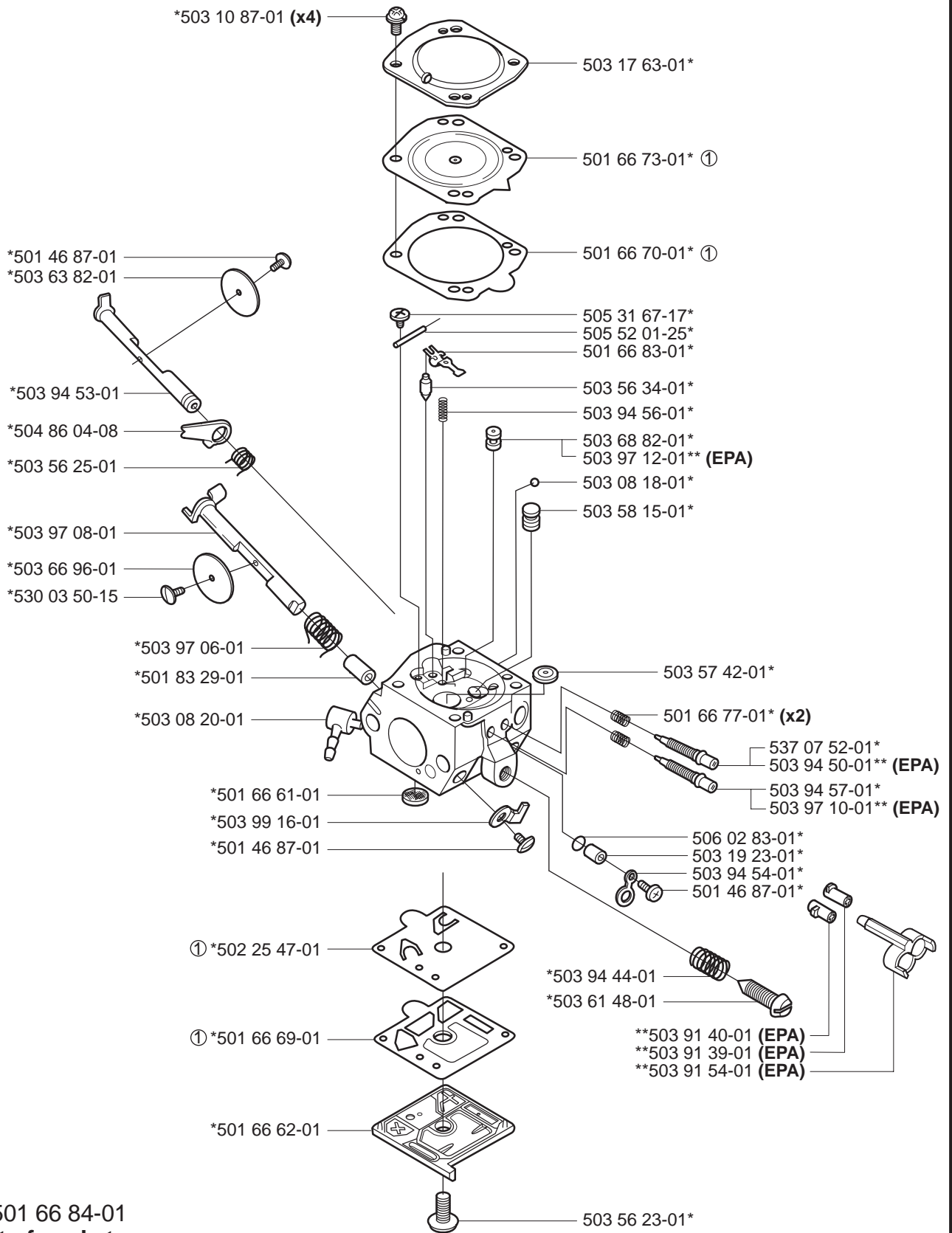


M

*compl 537 10 47-01



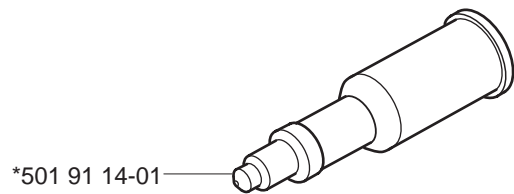
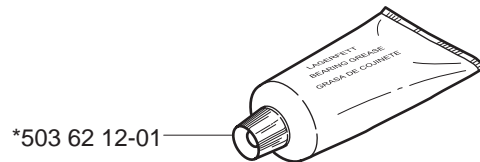
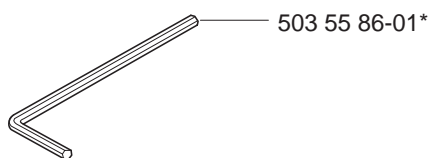
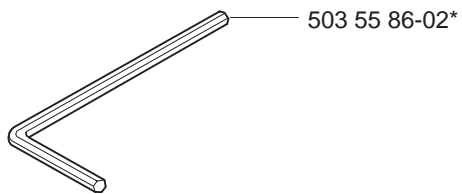
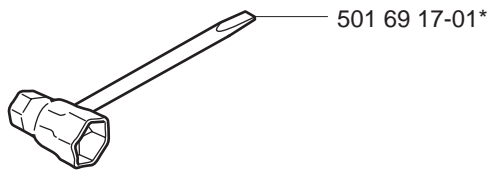
N *compl 503 28 18-03 Walbro HDA 154 C
 **compl 503 28 16-14 Walbro HDA 159 A (EPA)



① 501 66 84-01
Set of gaskets
Dichtungssatz
Jeu de joints
Juego de juntas
Packningssats

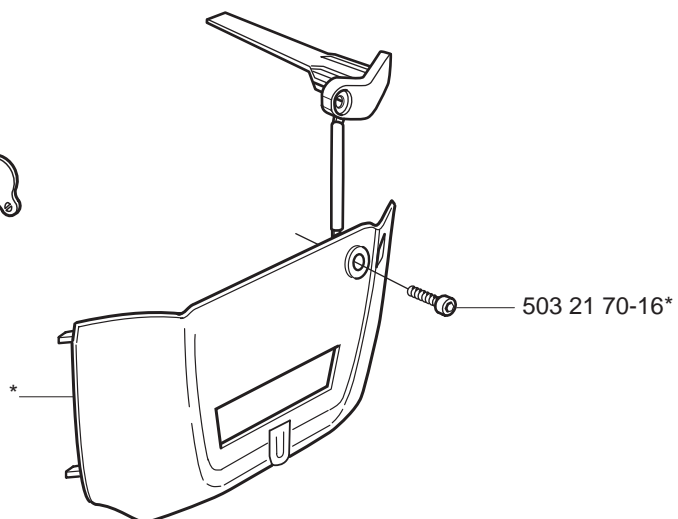
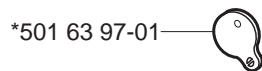
P Tillbehör
Accessories
Zubehöre
Accessoires
Accesorios

*compl 503 55 85-01



WINTER KIT

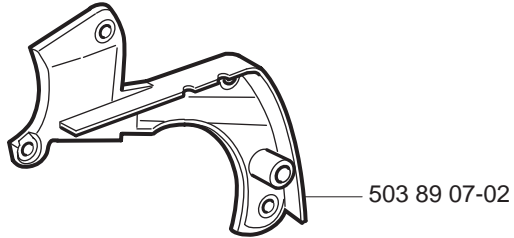
*compl 537 04 28-71



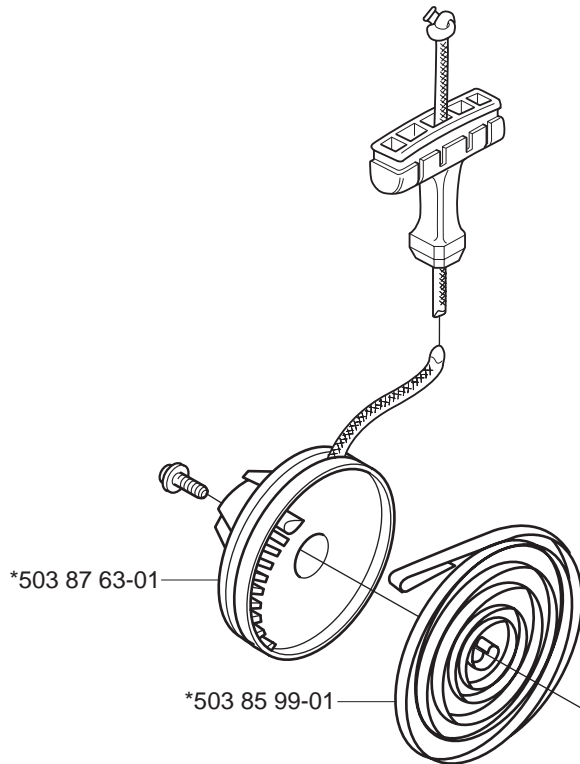
Q



Up to 991499999 (1999)



Up to 010500001 (2001)



351, 351 EPA

PART NUMBER	SQUARE	NOTE	PART NUMBER	SQUARE	NOTE	PART NUMBER	SQUARE	NOTE	PART NUMBER	SQUARE	NOTE
501 45 16-01	D,E		503 63 82-01	N		503 90 93-01	K		721 11 64-30	B	
501 45 74-02	B	N	503 66 54-01	D		503 90 93-02	K		721 12 07-30	H	
501 46 87-01	N		503 66 96-01	N		503 91 04-05	M		724 12 87-59	F	
501 48 54-02	L		503 68 82-01	N	N	503 91 04-06	M		729 42 21-01	J	
501 62 68-01	H		503 71 82-02	K		503 91 04-10	M	N	735 31 08-20	A	
501 62 98-01	J		503 78 32-01	L		503 91 04-11	M	N	737 44 10-00	D	
501 63 06-01	M	N	503 79 05-02	L		503 91 04-17	M	N	738 22 02-25	E	
501 63 97-01	C,P		503 81 56-01	B		503 91 39-01	N	EPA			
501 66 61-01	N		503 81 59-01	B		503 91 40-01	N	EPA			
501 66 62-01	N		503 82 43-01	L		503 91 54-01	N	EPA			
501 66 69-01	N	1	503 82 43-02	L		503 92 24-01	K				
501 66 70-01	N	1	503 82 43-03	L	N	503 92 58-01	K				
501 66 73-01	N	1	503 84 59-01	C	N	503 92 61-01	J				
501 66 77-01	N		503 85 41-01	J		503 92 95-01	A				
501 66 83-01	N	N	503 85 44-01	J		503 93 04-01	H				
501 66 84-01	N	1=compl	503 85 45-01	J		503 93 05-01	L				
501 69 17-01	P		503 85 47-01	B		503 93 05-02	L	N			
501 81 96-02	J		503 85 52-01	A		503 94 28-01	N	2=compl			
501 81 96-03	J	N	503 85 66-01	A		503 94 44-01	N				
501 83 29-01	N		503 85 76-71	E		503 94 50-01	N	EPA			
501 91 14-01	P		503 85 99-01	Q		503 94 53-01	N				
502 25 47-01	N	1	503 86 25-01	D	2	503 94 54-01	N				
503 08 18-01	N		503 86 26-01	F		503 94 56-01	N				
503 08 20-01	N		503 86 27-02	F		503 94 57-01	N				
503 10 87-01	N		503 86 28-02	F		503 96 24-06	L	N			
503 17 63-01	N		503 86 36-01	F		503 97 06-01	N				
503 19 23-01	N		503 86 37-71	J		503 97 08-01	N				
503 20 29-87	F		503 86 62-01	G		503 97 10-01	N	EPA			
503 20 34-19	M		503 86 63-01	G		503 97 12-01	N	EPA			
503 21 29-10	M	N	503 86 64-01	G		503 97 13-01	D				
503 21 51-01	H		503 86 92-01	H		503 98 00-71	B	N			
503 21 70-10	A		503 86 93-01	H		503 98 74-01	C				
503 21 70-16	P,L		503 86 94-01	G		503 99 16-01	N				
503 21 74-12	B,H		503 86 95-01	G		503 99 86-01	J				
503 21 74-25	D,L		503 86 96-01	G		504 71 00-03	B				
503 21 74-32	H		503 86 97-01	G		504 86 04-08	N				
503 21 74-50	G		503 86 99-71	D		505 27 57-19	E				
503 21 75-12	H		503 87 30-72	B	N	505 30 51-25	M				
503 21 75-20	F,H		503 87 49-01	H		505 31 67-17	N				
503 21 77-16	M		503 87 50-01	H		505 52 01-25	N				
503 21 88-16	K		503 87 54-01	H		506 02 83-01	N				
503 21 88-25	J,K		503 87 56-01	H		530 03 50-15	N				
503 22 00-01	A		503 87 63-01	Q,H		537 02 40-01	G	N			
503 22 04-01	L	N	503 88 72-01	H		537 02 40-02	G	N			
503 23 00-60	B		503 88 86-01	H		537 02 40-03	G	N			
503 23 51-08	D		503 88 92-01	G		537 02 71-01	B				
503 25 20-02	E		503 89 06-01	M		537 02 90-01	G				
503 25 52-01	B	N	503 89 07-02	Q		537 02 99-01	A				
503 26 09-01	E	N	503 89 08-02	A	N	537 04 03-01	H				
503 26 30-17	J		503 89 15-01	B		537 04 28-71	P				
503 28 16-14	G,N	EPA	503 89 16-01	C		537 04 30-01	A				
503 28 18-03	G,N		503 89 20-02	B		537 06 04-01	L	N			
503 28 90-10	D		503 89 21-02	B		537 06 06-01	L	N			
503 43 65-01	H		503 89 24-01	H		537 06 07-01	L	N			
503 44 32-01	J		503 89 29-01	A		537 06 91-01	B	N			
503 46 59-01	A		503 89 30-02	A	N	537 07 12-01	H	N			
503 54 39-01	M		503 89 44-01	D	2	537 07 52-01	N				
503 55 85-01	P		503 89 47-01	H		537 07 54-01	F	N			
503 55 86-01	P		503 89 50-01	L		537 08 90-01	A	N			
503 55 86-02	P		503 89 60-01	G		537 09 25-01	M	N			
503 56 23-01	N		503 89 64-01	A		537 09 31-01	M	N			
503 56 25-01	N		503 89 66-01	H		537 10 27-01	M	N			
503 56 34-01	N		503 89 83-01	K		537 10 47-01	M	N			
503 57 42-01	N		503 89 87-02	L		537 10 55-01	B	N			
503 57 76-02	J		503 89 96-71	D		537 10 78-01	A	N			
503 57 89-01	H,J		503 90 39-01	H		537 10 80-01	A	N			
503 58 15-01	N		503 90 56-01	H		537 15 27-01	A	N			
503 60 04-01	J		503 90 59-01	H		537 15 28-01	A	N			
503 61 48-01	N		503 90 71-01	K		537 17 19-01	H	N			
503 62 12-01	P		503 90 90-02	C	N	720 18 25-20	J	N			

1 = 501 66 84-01
2 = 503 94 28-01

Set of gaskets
Dichtungssatz
Jeu de joints
Juego de juntas
Packningssats

N = New part
Neues teil
Nouvelle piece
Nueva pieza
Ny detalj

EPA = Environmental Protection Agency
(for USA only)