



# Parts Manual

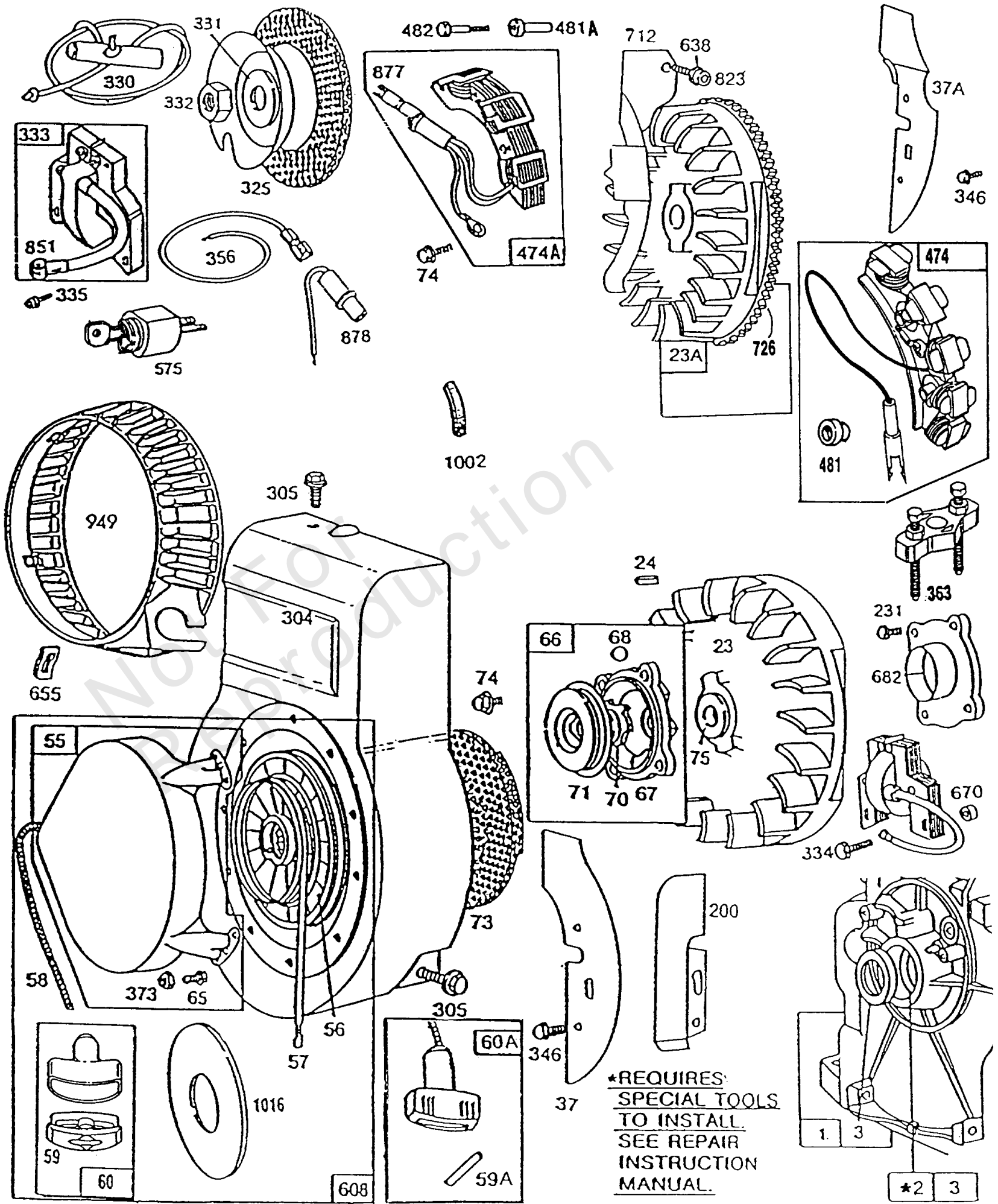
Mfg. No: 130292-3061-01



---

<b>Model Components</b>	<b>Page</b>
Blower Hsg, Flywheel, Rewind. ....	4
Carburetor, Controls, Oil Gard. ....	8
Cylinder, Gear Case, Piston Grp. ....	12
Electric Starter. ....	20
Mufflers, Deflectors, Fuel, A/C. ....	22

Not For  
Reproduction



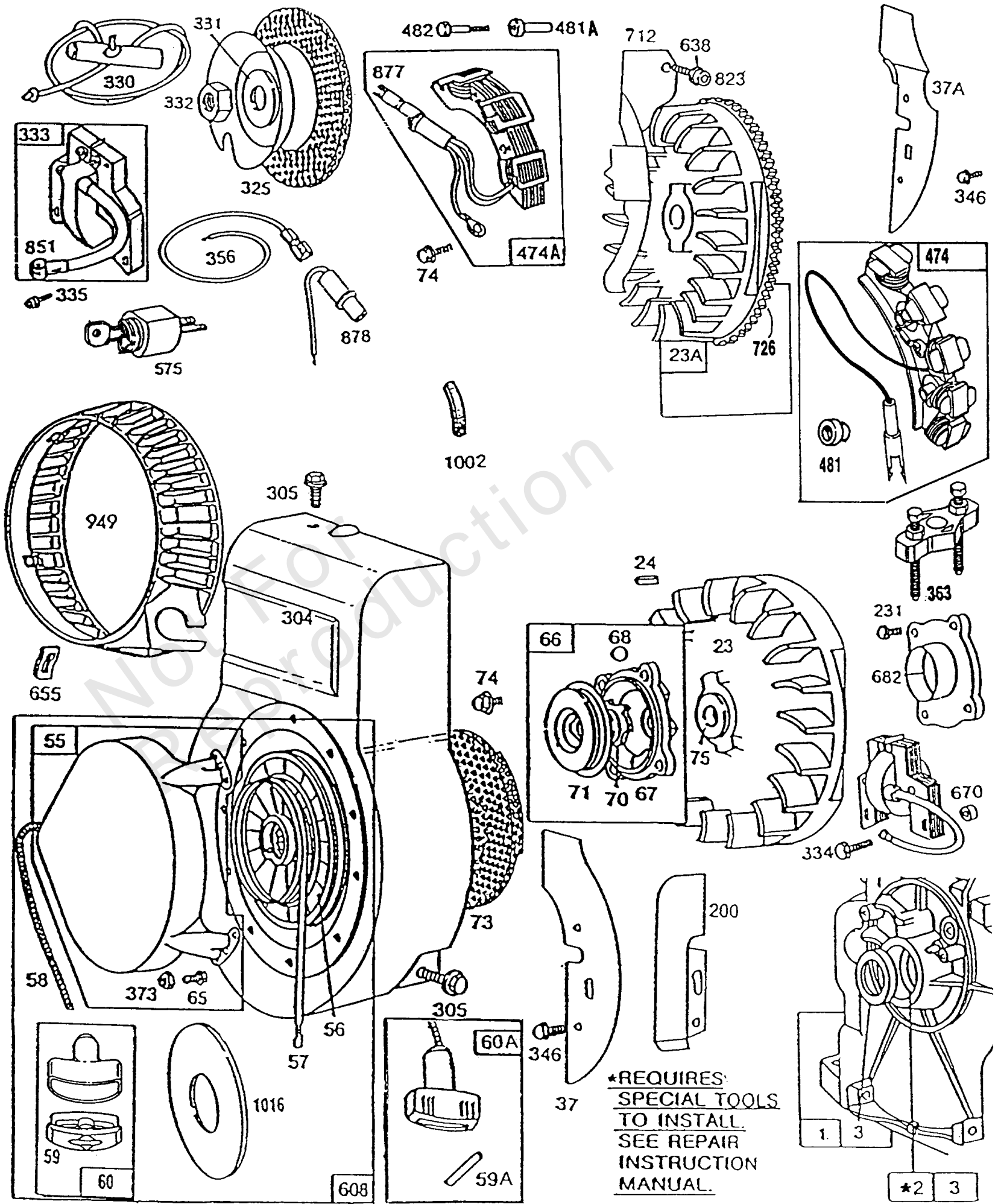
**\*REQUIRES SPECIAL TOOLS TO INSTALL. SEE REPAIR INSTRUCTION MANUAL.**

## Blower Hsg, Flywheel, Rewind

REF NO	PART NO	QTY	DESCRIPTION
1	395990		Cylinder Assembly
1	398765		Cylinder Assy (Oil Guard) -Used Before Code Date 91070100
1	494955		Cylinder Assy. -Used After Code Date 91063000
2	297565		Bushing/Seal Kit -Requires Special Tools For Installation.
3	299819		Seal, Oil (Plain Bearing Covers) -Included in Gasket Set-Part No. 397145
23A	493456		Flywheel -(Inc Steel Ring Gear) Use w/Steel Pinion Starter
23	297229		Flywheel-Magneto
24	222698		Key, Flywheel
37A	222578		Guard-Flywheel (Used On Engines With Electric Starters)
37	222443		Guard-Flywheel
55	299431		Housing-Rewind Starter
56	295871		Pulley-Starter (Includes 63" Rope) -If Longer Rope is Required, Order Rope No. 66894 and Cut to Length.
57	490179		Spring-Rewind Starter
58	66884		Rope, Starter (63" Cut To Required Length) -If Longer Rope is Required, Order Rope No. 66894 and Cut to Length.
59A	230228		Pin-Starter Rope
59	490653		Insert-Starter Rope
60A	66728		Grip-Starter Rope.
60	490652		HANDLE, Starter Rope
65	94128		Screw-Stamped Steel Housing Mtg. Sem
66	399671		Clutch-Starter -(Uses Rubber Coated Retainer Washer-Ref. 71)
67	394897		Housing-Starter Clutch
68	63770		Ball-Clutch
70	298799		Ratchet Assy -(For engine W/Ring Gear on FW equipped for Elec Start)
71	394506		Seal/Retainer Assy (Rubber Coated)
73	221923		Screen-Starter Pulley
74	93490		Screw-Hex
74	93808		Screw, Sem Truss Hd
75	224061		Washer, Flat (5/8" Hole)
200	223886		Guide, Air (Rewind Start Engines)
231	93064		Screw-Sem
304	490169		Housing-Blower
305	93158		Screw, Sem Hex Head (1/4-20 X 5/8")
325	299421		Pulley-Rope Start (With Screen)
330	69932		Rope/Grip Assy (55")
331	224061		Washer, Flat (5/8" Hole)
332	92284		Nut, Jam (Flywheel)
333	397358		Armature-Mag
334	93613		Screw, Armature Spa
335	93414		Screw, Sem Hex Head
346	93705		Screw, Tapping Hex (8-32 X 3/8)
356	398808		WIRE, Stop (30" Cut To Required Length)
363	19069		Puller-Flywheel (Optional Accessory)

### Footnotes:

To Replace Crankshaft Gear Pin, Order Part No. 230978



## Blower Hsg, Flywheel, Rewind

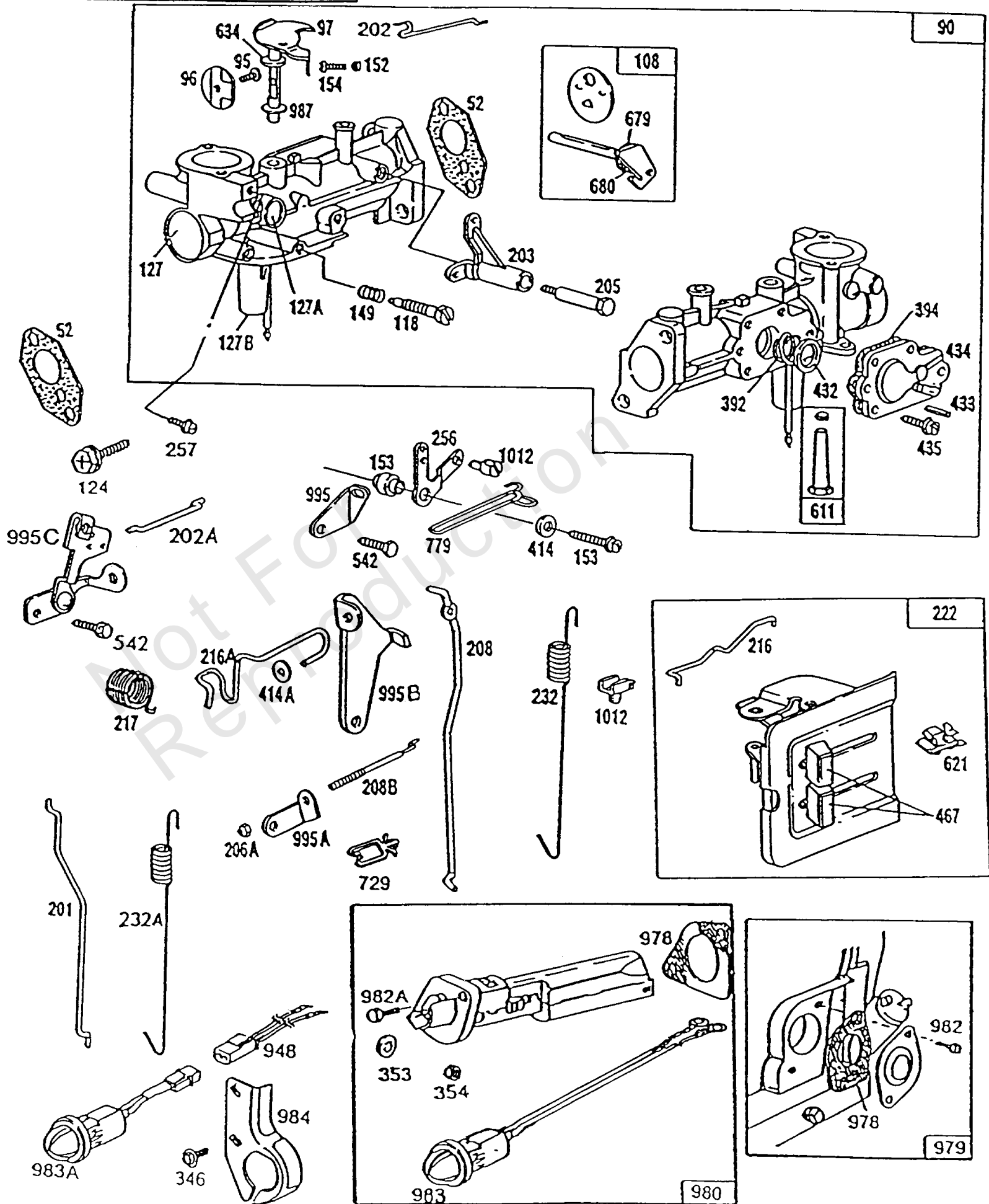
REF NO	PART NO	QTY	DESCRIPTION
373	92987		Nut, Hex Mach
474A	494254		Stator-Assy. -Used Before Code Date 91041500
474	494254		Stator-Assy. -Used After Code Date 91041400
481A	230970		Bushing-Stator -Used Before Code Date 91041500
481	231767		Spacer-Alternator -Used After Code Date 91041400
482	93639		Screw-Sem
575	396291		Switch-Starting -Uses: 392832 Key Set
608	390463		Starter-Rewind
638	93713		Washer-Lock
655	222598		Insert, Spring -(For Stamped Rewind Housing)
670	261065		Spacer, Armature
682	211516		Shield-Starter Clutch
712	223140		Guard-Flywheel -(With One Tab for 1-5/8" Cut Out in Blower Hsg)
726	494548		Gear-Ring (Includes Mtg. Hardware)
823	93712		Screw-Socket Head
851	221798		Terminal-Spark Plug
877	393854		Diode Assy.
878	393422		Socket/Wire Assy (Dc Only)
949	280680		Guard-Rewind
1002	280783		Trim Strip (Blower Housing)
1016	490817		Spacer=rewind

---

### Footnotes:

To Replace Crankshaft Gear Pin, Order Part No. 230978

121 CARBURETOR OVERHAUL KIT

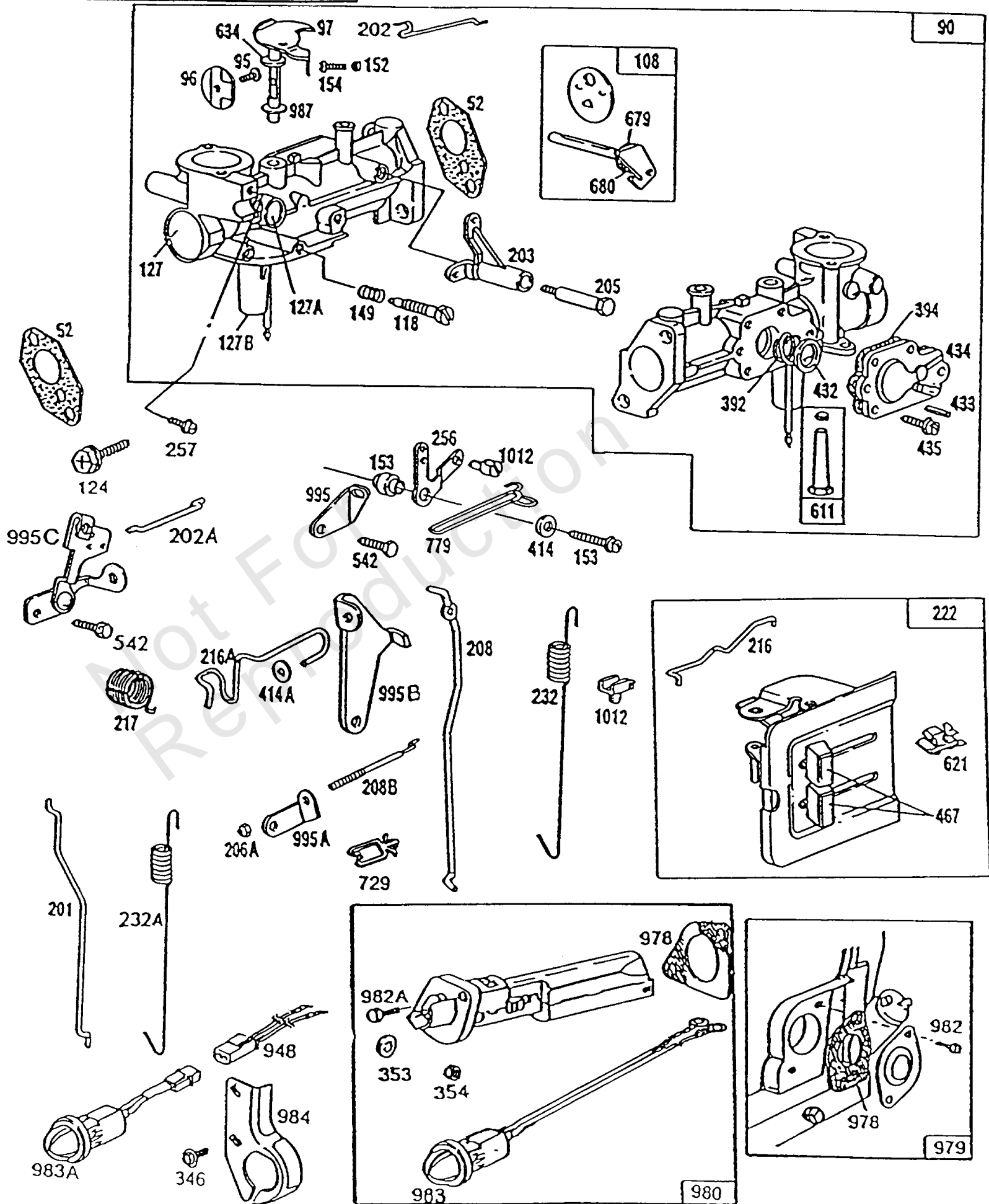




## Carburetor, Controls, Oil Gard

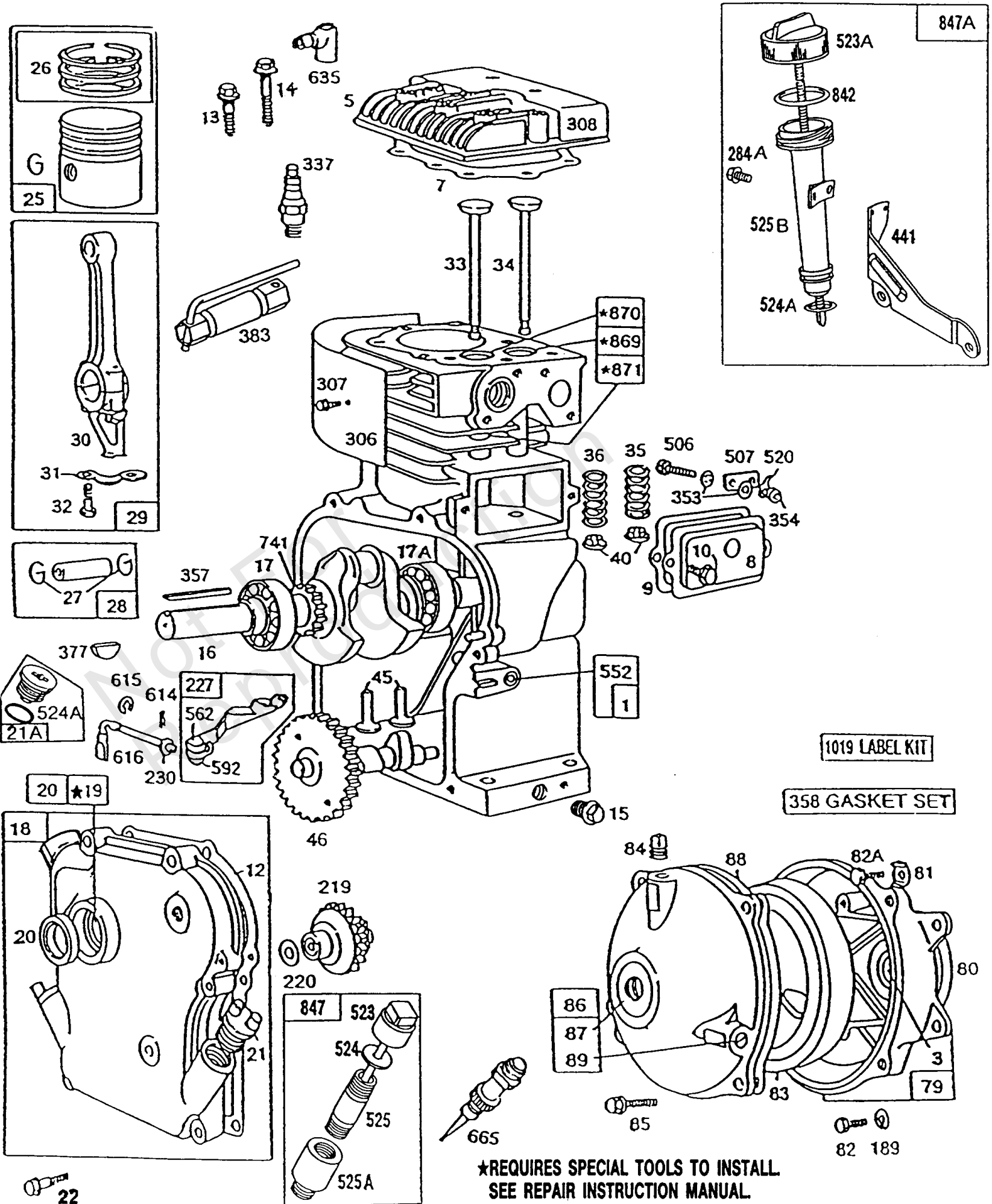
REF NO	PART NO	QTY	DESCRIPTION
52	271936		Gasket, Port -Included in Gasket Set-Part No. 397145. Included in Carburetor Overhaul Kit- Part No. 494624
90	492611		Carburetor Assembly
95	93499		Screw, Sem Pan Head (Throttle Valve)
96	223793		Valve-Throttle
97	490048		Shaft-Throttle
108	491177		Valve-Choke
118	231533		Valve-Needle
121	494624		Carburetor Overhaul Kit
124	93357		Screw-Sem, Phillips Hex. Hd.
127B	223472		Plug, Welch -Used After Code Date 87011100 and Before Code Date 89022500
127A	223789		Plug, Welch
127B	223790		Plug-Welch -Used Before Code Date 87011200
127	220352		Plug-Welch
149	26336		Spring-Needle Valve
152	260575		Spring-Throttle Adjustment
153	490589		Screw-Carburetor Cam And Lever
154	93527		Screw, Tapping Roun (5-40 X 5/8")
201	262280		Link-Mechanical Governor
202A	262470		Link-Throttle
202	262270		Link, Throttle (Mech. Gov.)
203	280720		Bellcrank (Mechanical Governor)
205	231520		Screw, Shoulder Hex (#8-32 Thread)
206A	94081		Locknut, Hex
208B	262321		Rod-Idle Control
208	262279		Rod-Governor Control
216A	262275		Link-Choke
216	262274		Link-Choke -Used Before Code Date 87030200
216	262359		Link-Choke -Used After Code Date 87030100
217	262281		Spring-Link
222	490649		Panel-Speed Control
232A	262310		Spring-Return
232	262288		Spring-Return
256	223813		Crank-Bell
257	93543		Screw, Sem Hex Head (10-32 X 3/8")
346	93705		Screw, Tapping Hex (8-32 X 3/8)
353	92791		Lockwasher, Interna
354	90576		Nut, Hex (8-32)
392	262328		Spring-Pump Diaphragm
394	270026		Diaphragm-Pump -Included in Carburetor Overhaul Kit-Part No. 494624
414A	221198		Washer, Steel Zinc
414	220982		Washer, Steel Zinc
432	221377		Cap-Spring
433	93265		Pin-Roll
434	210959		Cover-Diaphragm
435	93141		Screw, Sem Filliste (Diaphragm Cover)
467	280715		Knob-Speed Control Lever

121 CARBURETOR OVERHAUL KIT



## Carburetor, Controls, Oil Gard

REF NO	PART NO	QTY	DESCRIPTION
542	93572		Screw, Hex Head Tap (10-32 X 3/8)
611	391813		Tube-Pick Up (For 2 And 3 Quart Tanks)
621	396847		Switch, Stop Assy
634	271853		Washer, Foam (Foam)
679	270382		Washer, Felt (Foam)
680	221839		Washer, Brass
729	280590		Retainer-Wire
779	262276		Link-Control
948	398661		Harness-Wiring
978	271736		Gasket, Switch
979	494807		Cover-Oil Guard
980	398182		Switch-Oil Gard
982A	94657		Screw, Hex Wash Hd
982	94658		Screw, Hex Wash Hd
983A	398660		Light-Indicator -(For Mounting With Light Bracket)
983	490489		Light-Indicator -Uses: 280275 Tie-Cable
984	223773		Bracket-Stop Switch
987	398970		Seal, Throttle Shaf (Lmt 46, 49, 50, 51, 53, 86)
995C	491577		Bracket-Link
995B	223814		Bracket-Link
995A	491577		Bracket-Link
995	223887		Bracket-Link
1012	490507		Retainer-Link



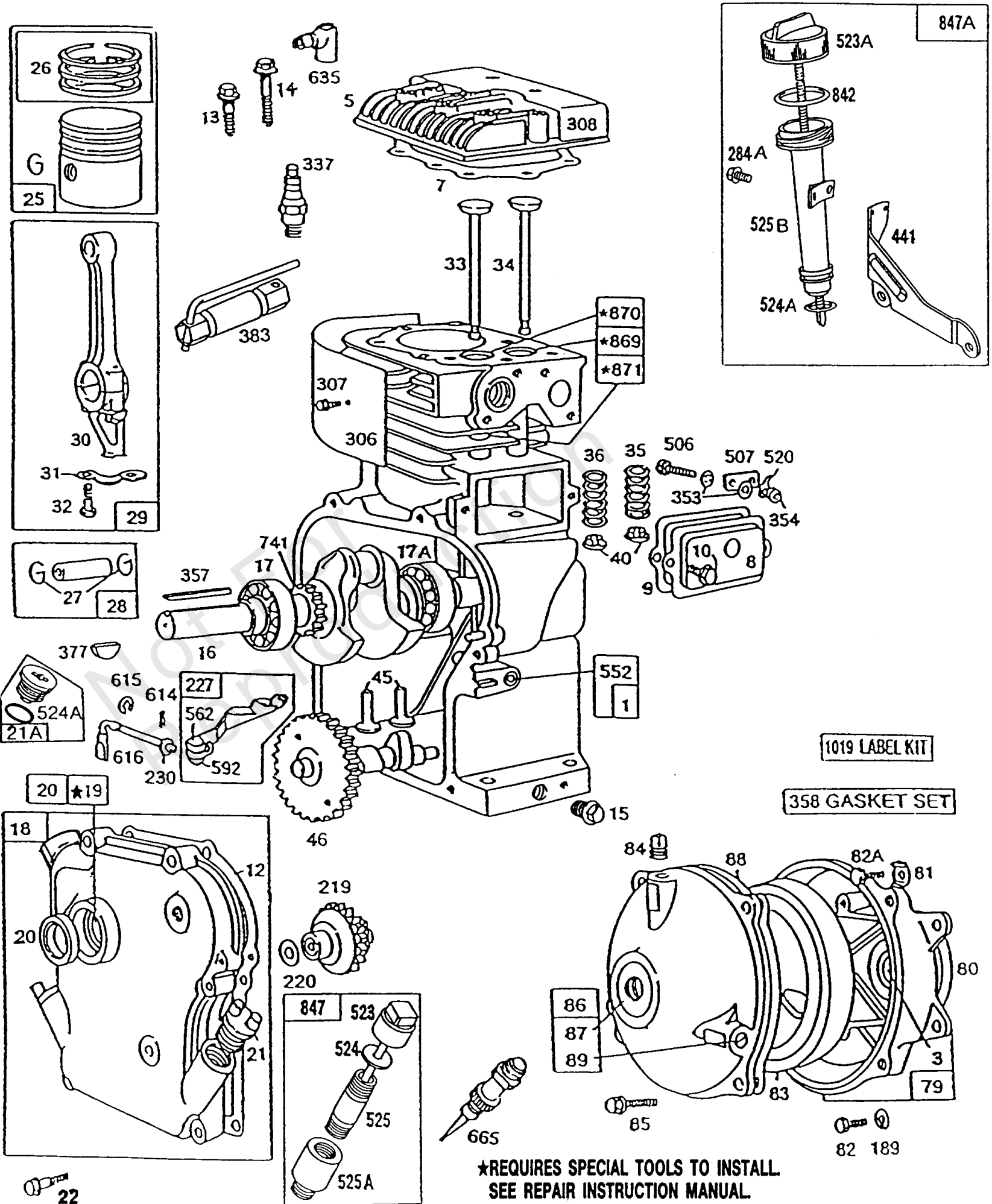
★REQUIRES SPECIAL TOOLS TO INSTALL.  
SEE REPAIR INSTRUCTION MANUAL.

## Cylinder, Gear Case, Piston Grp

REF NO	PART NO	QTY	DESCRIPTION
1	395990		Cylinder Assembly
1	398765		Cylinder Assy (Oil Guard) -Used Before Code Date 91070100
1	494955		Cylinder Assy. -Used After Code Date 91063000
3	299819		Seal, Oil (Plain Bearing Covers) -Included in Gasket Set-Part No. 397145
5	211542		Head-Cylinder
7	272157		Gasket-Cylinder Head -Included in Gasket Set-Part No. 397145
8	294178		Cover-Breather
9	27549		Gasket, Valve Cover -Included in Gasket Set-Part No. 397145
10	94621		Screw
12	270080		Gasket, Crankcase (.015") -Included in Gasket Set-Part No. 397145
12	270125		Gasket-Crkcase (.005" Thick) -Included in Gasket Set-Part No. 397145
12	270126		Gasket-Crkcase (.009" Thick) -Included in Gasket Set-Part No. 397145
13	93368		Screw-Cylinder Head (2-3/32" Long)
13	93583		Stud, Cylinder Head
14	93369		Screw-Cylinder Head (2-15/32" Long)
14	93583		Stud, Cylinder Head
15	91249		Plug, Pipe (Standar (1/4" Square)
15	93448		Plug, Pipe (Flush) (1/4-18 Nptf)
15	94174		Plug, Pipe Magnetic
16	397087		Crankshaft -Used After Code Date 91063000
16	397091		Crankshaft -Used After Code Date 91063000
16	397095		Crankshaft -Used After Code Date 91063000
16	397102		Crankshaft -Used After Code Date 91063000
16	492088		Crankshaft -To Replace Crankshaft Gear Pin, Order Part No. 230978
16	493290		Crankshaft -Used After Code Date 91063000
16	494035		Crankshaft -Used After Code Date 91063000
17	99158		Ball Bearing (P.t.o. Side)
18	493914		Cover-Crankcase (Auxiliary P.t.o. Shaft)
19	297603		Bushing-Crkcase. Cover -Requires Special Tools For Installation.
20	391484		Seal, Auxiliary PTO (For 1/2" Auxiliary Drive Shaft)
21A	399195		Plug/Seal Assy (For High Oil Fill)
21	66768		Plug, Oil Fill
22	93032		Screw-Tank Mounting
22	93656		Stud
22	94067		Stud
25	298904		Piston Assy-Std (Std.)
25	298905		Piston Assy-010

### Footnotes:

To Replace Crankshaft Gear Pin, Order Part No. 230978



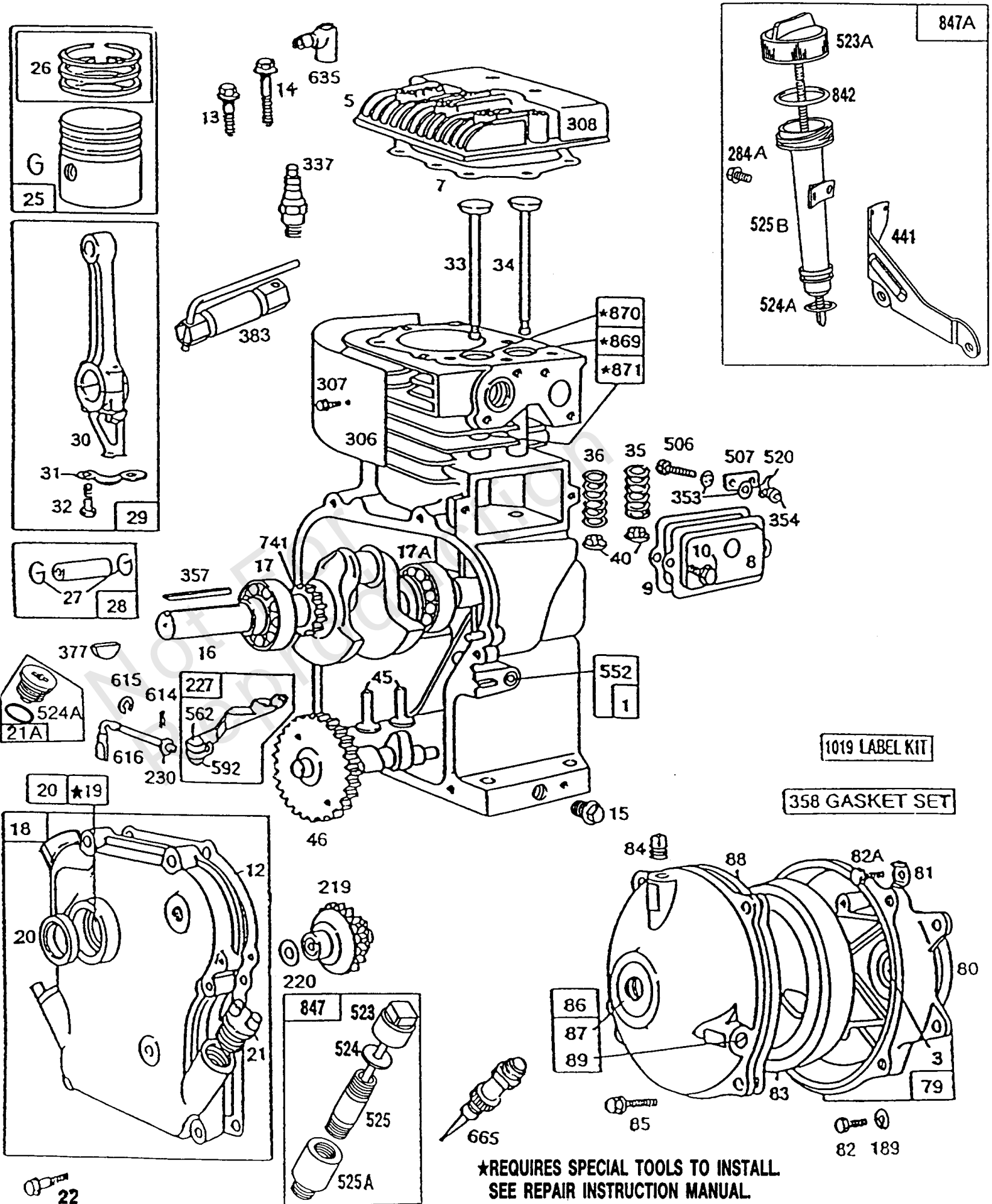
★REQUIRES SPECIAL TOOLS TO INSTALL.  
SEE REPAIR INSTRUCTION MANUAL.

## Cylinder, Gear Case, Piston Grp

REF NO	PART NO	QTY	DESCRIPTION
25	298906		Piston Assy-020
25	298907		Piston Assy-030
26	298982		Ring Set-Std (Std.)
26	298983		Ring Set-010
26	298984		Ring Set-020
26	298985		Ring Set-030
26	299742		Ring Set-Std Chr
27	26026		Lock-Piston Pin
28	298908		Pin-Piston 005 (.005" O.S.)
28	298909		Pin-Piston
29	299430		Rod-Connecting (Standard) -For Connecting Rod With .020" Undersize Crankpin Bore-Order No. 390459
30	221890		Dipper-Connecting Rod
31	221876		Lock-Screw Head
32	92296		Screw-Connecting Rod
33	211119		Valve-Exhaust
33	262464		Valve-Exhaust -Used After Code Date 90051400
34	261044		Valve-Intake
35	260552		Spring, Valve
36	262750		Spring, Valve (Exhaust) -Used After Code Date 90051400
36	26478		Spring, Valve (Exhaust)
40	230126		Pin-Valve Spring Set
40	292259		Retainer-Valve (Exhaust)
40	491442		Rotocoil Assy (Exhaust) -Used After Code Date 90051400
40	93312		Retainer, Spring (Used With Valves With Groove In Stem)
45	260642		Tappet-Valve
46	211284		Gear-Cam
79	290779		Case-Reduction Gear
80	27667		Gasket-Gear Case
81	220234		Lock-Screw Head
82A	92279		Screw, Hex Head Cap (5/16-24 X 1/2")
82	91541		Screw, Hex Head Cap (5/16-24 X 7/8")
83	211293		Shaft-Auxiliary Drive
84	92617		Screw-Gear Case Mounting Sem
85	92747		Screw, Sem Hex Hd M -(Used on Two Top Holes to Mount Cover)
86	291730		Cover-Gear Case
87	19011		Seal-Oil
88	27313		Gasket-Gear Case Cover
89	93448		Plug, Pipe (Flush) (1/4-18 Nptf)
189	90366		Lockwasher, Zinc Pl
219	391737		Gear-Governor -Used Before Code Date 91061000
219	494845		Gear-Governor -Used After Code Date 91060900
220	221551		Washer, Steel
227	490374		Lever-Governor

### Footnotes:

To Replace Crankshaft Gear Pin, Order Part No. 230978



★REQUIRES SPECIAL TOOLS TO INSTALL.  
SEE REPAIR INSTRUCTION MANUAL.

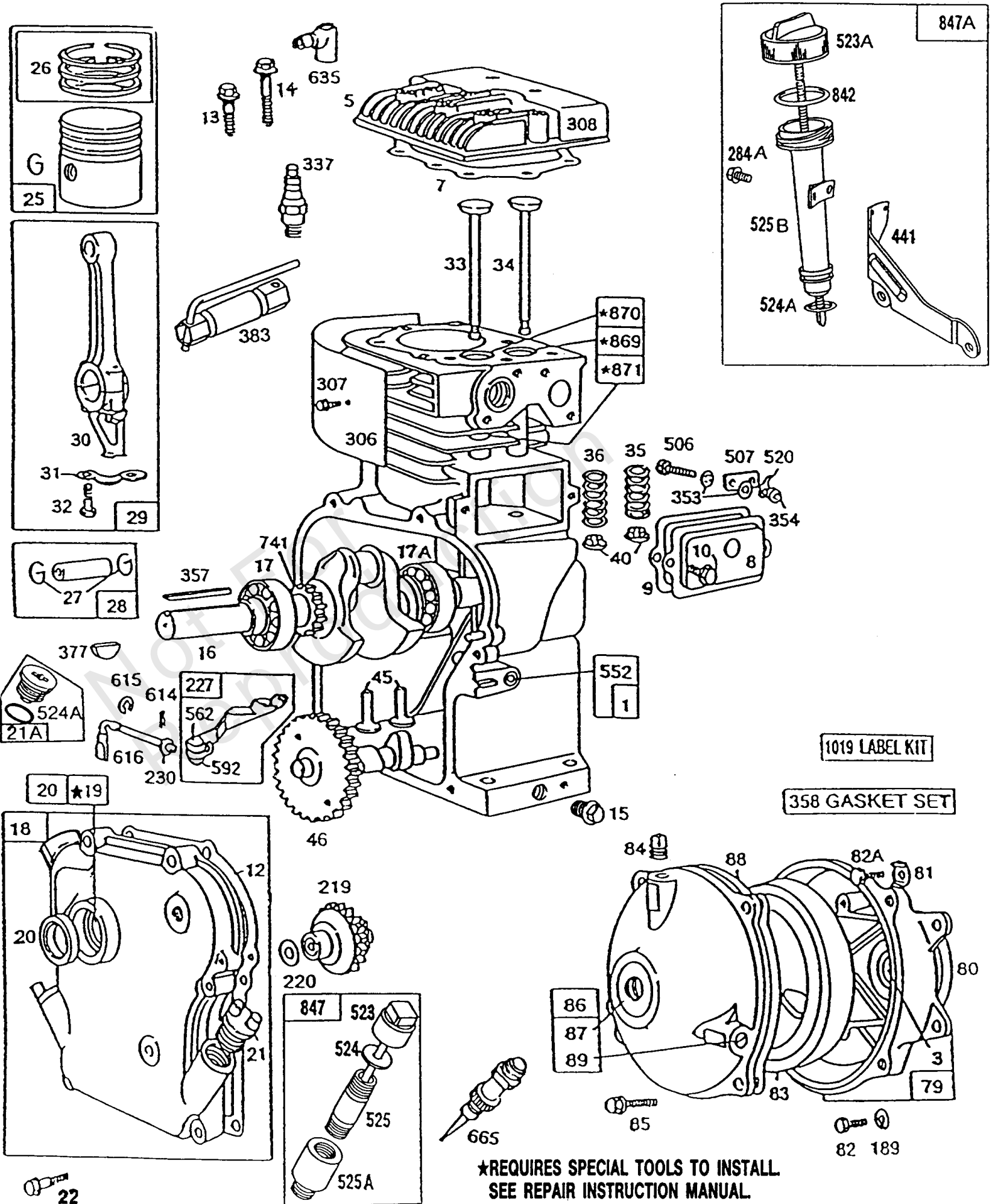


## Cylinder, Gear Case, Piston Grp

REF NO	PART NO	QTY	DESCRIPTION
230	222450		Washer, Steel Zinc
284A	94620		Screw, Tapping Hex
306	221511		Shield-Cylinder
307	93042		Screw, Sem Hex Head -Used Before Code Date 87020900
307	93490		Screw-Hex -Used After Code Date 87020800
308	221512		Cover-Cylinder Head
337	293918		Spark Plug, resistor
337	298809		Spark Plug
337	492167		Spark Plug
337	802592		Spark Plug, resistor
353	92791		Lockwasher, Interna
354	90576		Nut, Hex (8-32)
357	91539		Key, Pulley (3/16" Square)
358	397145		Gasket Set
377	93065		Key, Woodruff (No. 6)
383	89838		Wrench-Spark Plugs
441	224240		Bracket-Oil Filler
506	90200		Screw-Slotted (8-32 X 1/2")
507	66895		Insulator-Terminal
520	93722		Terminal, Spade
523A	494416		Dipstick And Cap Assy. -Used After Code Date 90102800
523A	492249		Dipstick And Cap Assy. -Used Before Code Date 90102900
523	297357		Cap/Dipstick Assy
524A	271485		Seal, Oil Fill Tube
524	65304		Gasket-Oil Filler Cap
525B	280508		Dipstick Tube (For Electric And Vertical Pull Starters) -Used Before Code Date 90102900
525B	280578		Tube-Oil Filler -Used After Code Date 90102800
525A	394884		Adaptor-Oil Filler With Nipple
525	91258		Dipstick Tube (2-1/2" Long)
552	231079		Bushing, Governor S (1/4" I.d.)
562	92613		Bolt-Gov Lever
592	231082		Nut (10-24)
614	93306		Pin, Cotter
615	93307		Retainer-E Ring
616	231077		Crank, Governor (1/4" Dia.)
635	66538		Elbow-Spark Plug
665	298858		Oil Minder
741	261696		Gear-Timing (For Plain Bearing)
741	262060		Gear-Timing (For Ball Bearing)
842	270920		Seal, Oil Fill Tube
847A	494417		Tube/Dipstick Assembly -Used After Code Date 90102800
847A	493367		Tube Assy.-High Oil Fill -Used Before Code Date 90102900
847	493955		Tube/Dipstick Assembly

### Footnotes:

To Replace Crankshaft Gear Pin, Order Part No. 230978



## *Cylinder, GearCase, Piston Grp*

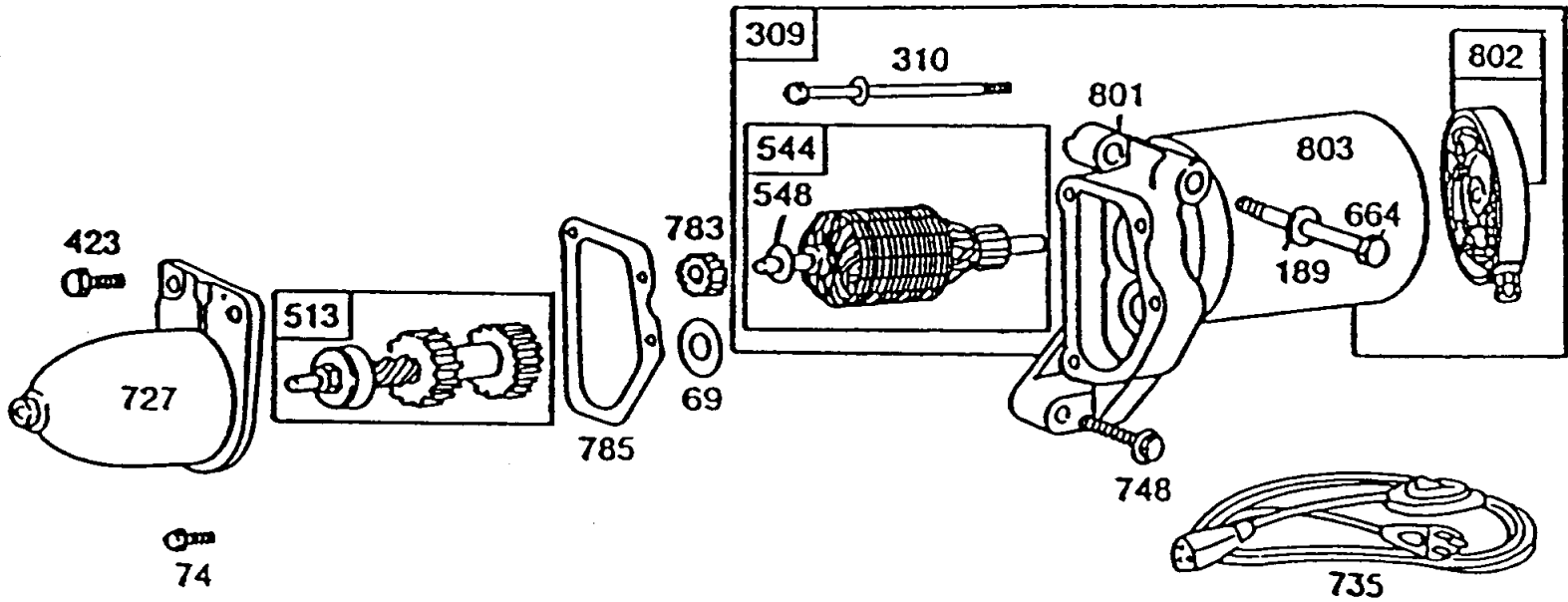
REF NO	PART NO	QTY	DESCRIPTION
869	211787		Seat, Intake Valve
870	211172		Seat-Valve (Intake) -For Options See Repair Manual.
871	262001		Bushing-Guide (Brass)
871	63709		Bushing-Guide (Brass) -See Repair Instruction Manual.
1019	491100		Label Kit

Not For  
Reproduction

---

**Footnotes:**

To Replace Crankshaft Gear Pin, Order Part No. 230978



Reference Numbers									
69	310	423	548	664	727	748	783	785	801
Washer	Motor Bolt	Sem. Screw	Washer	Mtg. Screw	Drive Hsg.	Mtg. Screw	Pinion	Gasket	Mtg. Head
93676	93648	93654	93649	93358	390543	93534	230972	270718	390544

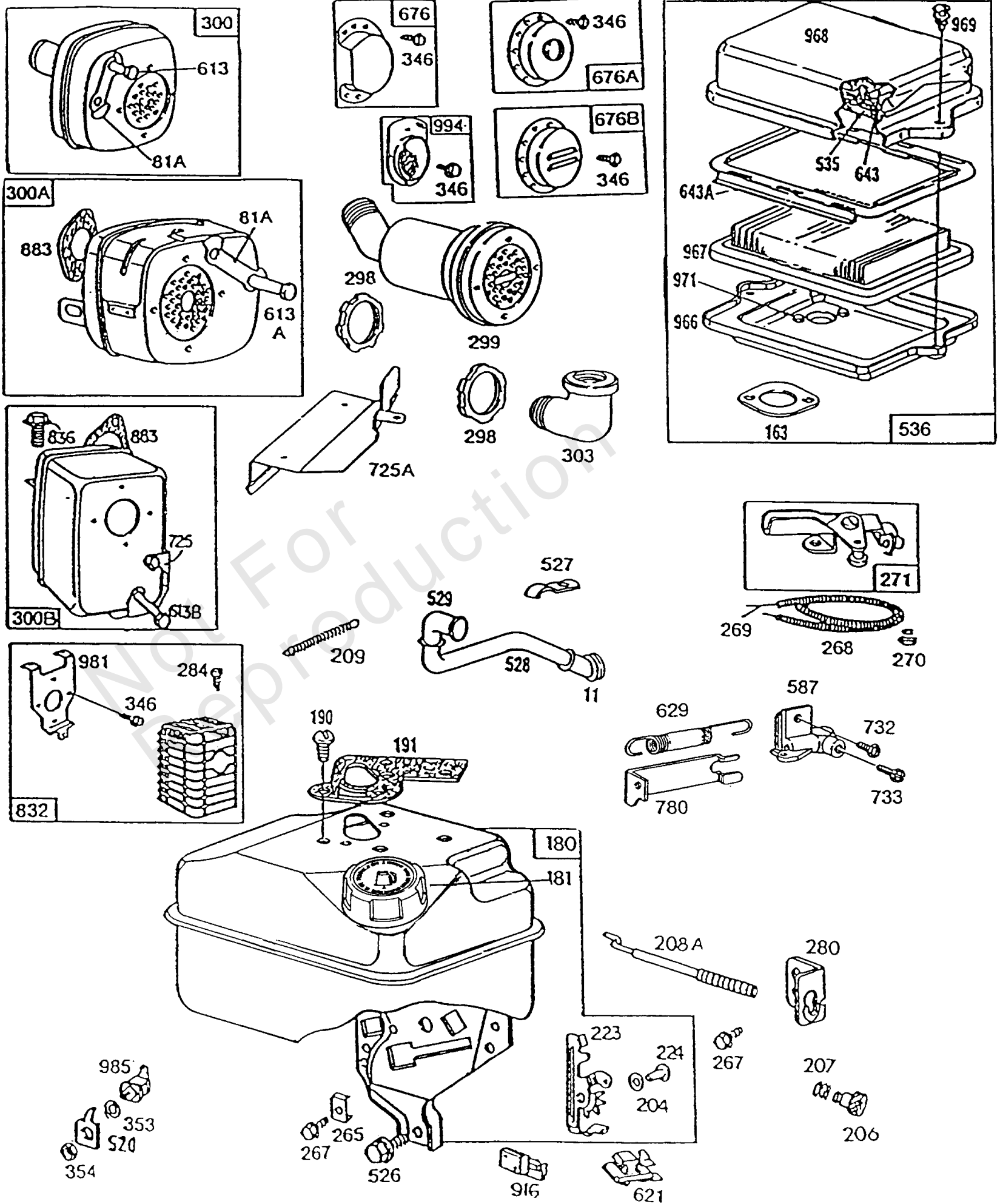
Reference Number	309	513	544	802	803
	<b>Motor</b>	<b>Drive Assembly</b>	<b>Armature Assembly</b>	<b>End Cap Assembly Commutator</b>	<b>Housing Assembly</b>
<b>Starter Motor Mfr.</b>					
<b>American</b>					
<b>Bosch</b>					
12V	390551*	391029	390467	390465	390468
120V	393842**	391029	-	-	-

\*Uses #92813 Lockwasher and # 231082 Hex Nut

\*\*Includes Entire Motor and Drive Assembly

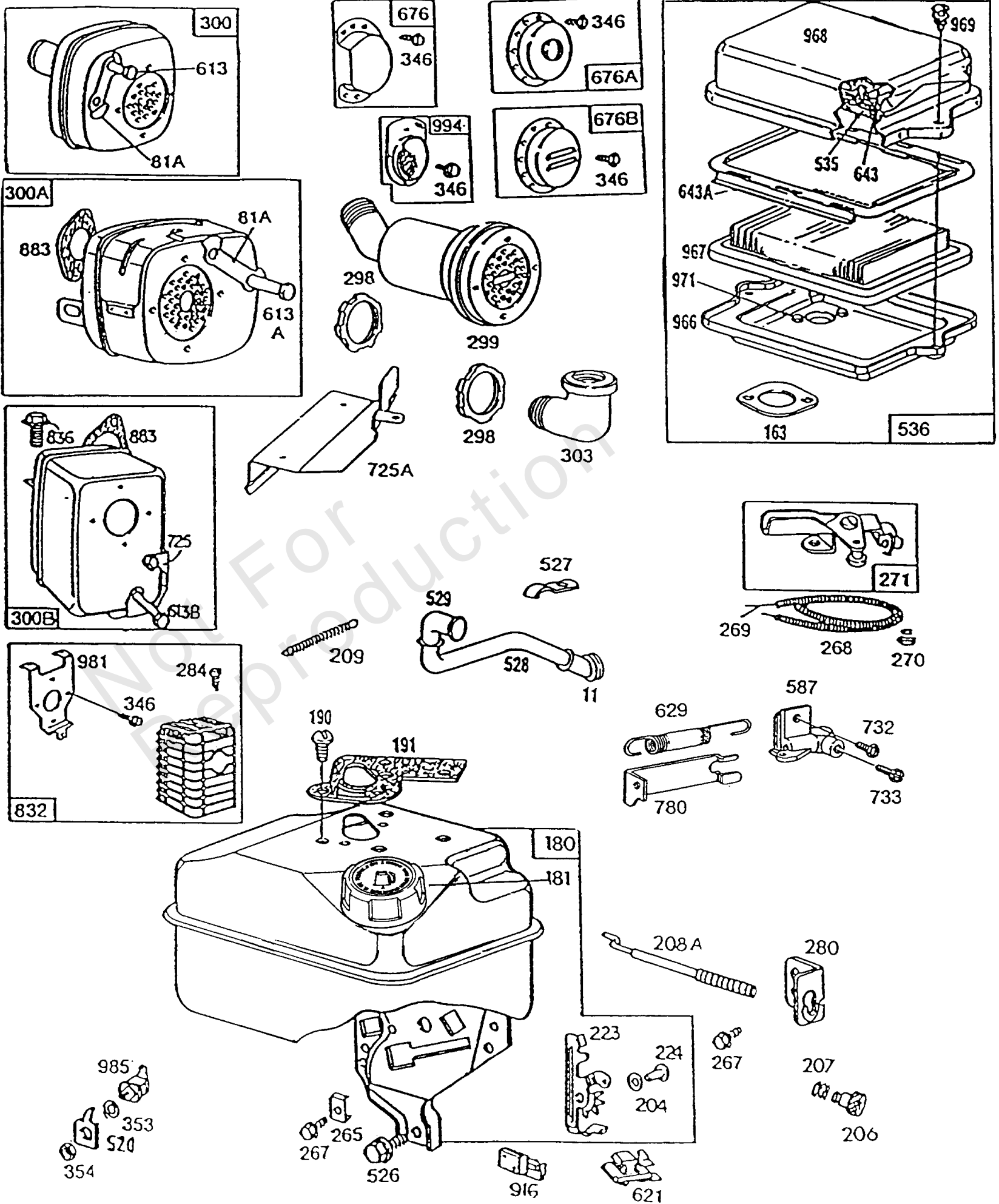
## Electric Starter

REF NO	PART NO	QTY	DESCRIPTION
69	93676		Washer-Spring
74	93490		Screw-Hex
74	93808		Screw, Sem Truss Hd
189	90366		Lockwasher, Zinc Pl
309	390551		Starter Motor American Bosch 12V -Uses #92813 Lockwasher and #231082 Hex Nut
309	393842		Motor-Starter American Bosch 110V -Includes Entire Motor and Drive Assembly
310	93648		Screw-Hex
423	93654		Screw-Hex
513	391029		Drive-Starter (American Bosch 110v)
544	390467		Armature-Str (American Bosch 12v)
548	93649		Washer
664	93358		Screw, Hex Head Cap
727	390543		Cover-Str Drive (Flywheel Ring Gear Material Steel)
735	390900		Cord-Starter (Includes Switch)
748	93534		Screw, Sem Hex Head
783	230972		Gear-Pinion -Parts Common to the 12V and 110V Motors
785	270718		Gasket
801	390544		Mtg. Head
802	390465		Cap-End (American Bosch 12v)
803	390468		Housing-Starter (American Bosch 12v)



## Mufflers, Deflectors, Fuel, A/C

REF NO	PART NO	QTY	DESCRIPTION
11	66578		Tube-Breather
81A	222263		Lock, Screw Head (3/8" Dia. Bolt Holes)
163	271935		Gasket-Air Cleaner Mounting
180	491424		Tank Assy.-Fuel (1 Quart) -Uses: 491266 Bracket-Control
180	491424		Tank Assy.-Fuel (1 Quart) -Uses: 495114 Bracket-Control
180	492927		Tank-Fuel
181	490075		Cap-Fuel Tank
190	94094		Screw, Sem Pan Hd C
191	271928		Gasket-Fuel Tank Mtg. -Included in Gasket Set-Part No. 397145. Included in Carburetor Overhaul Kit-Part No. 494624
204	222962		Bushing-Control Lev
206	231266		Nut, Hex (#6-32 Thread)
207	26855		Spring-Governor Control Rod
208A	262323		Rod-Governor Control
209	262282		Spring-Governor
223	223455		Lever-Gov. Control
224	93491		Rivet-Truss Head S
265	221535		Clamp, Casing (Stamped Steel)
267	93496		Screw, Sem Hex Head (10-32 X 5/8")
268	66986		Casing, Wire (48" Cut To Required Length) -If Longer Casing is Needed, Specify Length in Inches; if a Shorter Casing is Needed, Order No. 66986 and Cut to Required Length.
269	26099		Wire, Control (54" Cut To Required Length) -If Longer Wire is Needed, Specify Length in Inches; if Shorter Wire is Needed, Order No. 26099 and Cut to Required Length.
270	63426		Nut, Hex
271	290568		Lever-Control
280	223798		Bracket, Control
284	93572		Screw, Hex Head Tap (10-32 X 3/8)
298	261409		Locknut, Muffler/EI
299	393368		Muffler, Angular As (20 Degrees Angular)
300A	390918		Muffler/Shield Grp (Lo-Tone)
300A	391313		Muffler-Exhaust -Uses: 223717 Spacer-Muffler Bracket 391232 Guard-Muffler
300A	391313		Muffler-Exhaust -Uses: 222361 Brace-Muffler 94153 Screw-Hex. Hd.
300A	222379		Retainer-Muffler Guard -Used Before Code Date 88090300
300A	93415		Screw-Hex (1/4-20 X 3/4) -Used Before Code Date 88090300
300B	396001		Muffler/Shield Grp (Lo-Tone)
300A	94186		Screw, Tapping Hex
300A	391313		Muffler-Exhaust -Uses: 222361 Brace-Muffler
300A	94153		Screw, Sem Hex Head -Used After Code Date 88090200
300	393615		Muffler Grp (Lo-Tone) -Parts Furnished by Equipment Manufacturer
303	91464		Elbow, Exhaust (90 Degrees Street)
303	94089		Elbow-Exhaust (45 Degrees Street)
346	93705		Screw, Tapping Hex (8-32 X 3/8)





## Mufflers, Deflectors, Fuel, A/C

REF NO	PART NO	QTY	DESCRIPTION
353	92791		Lockwasher, Interna
354	90576		Nut, Hex (8-32)
520	93722		Terminal, Spade
526	94409		Screw-Tank Bracket Mounting Sem
527	223786		Support-Breather Tube
528	231550		Tube-Breather
529	67838		Grommet, Cover
535	491435		Element, Air Clean (Pre-Cleaner)
536	494279		Cleaner-Air
587	213474		Clamp-Speed Control
613B	94054		Screw, Shoulder Muf
613A	94042		Screw, Shoulder Muf
613	93935		Screw, Shoulder Muf
621	396847		Switch, Stop Assy
629	261137		Spring-Throttle Return
643A	280726		Retainer-Air Filter
643	280737		Spacer-Air Filter
676A	395700		Deflector-Muff (Direct Outlet)
676	393757		Deflector-Muff (Side Outlet)
725A	223867		Shield-Heat
725	223303		Shield-Muffler
732	94414		Screw, Hex Head Mac
733	94415		Screw, Hex Head Slo
780	224085		Anchor-Spring
832	490534		Guard-Muffler
836	93559		Screw-Tank To Bracket
883	270918		Gasket-Muffler -Included in Gasket Set-Part No. 397145
916	280321		Rack, Gear Control (Remote & Manual Choke)
966	490074		Base-Air Cleaner
967	491588		Filter-Pre Cleaner
968	223765		Cover-Air Cleaner
969	490073		Screw Assy (Air Cleaner)
971	94018		Screw, Machine Hex
981	223373		Bracket-Muffler Guard
985	398525		Terminal-Insulated
994	399541		Spark Arrester

