



Reservdelskatalog Parts Catalogue

SC 9812B

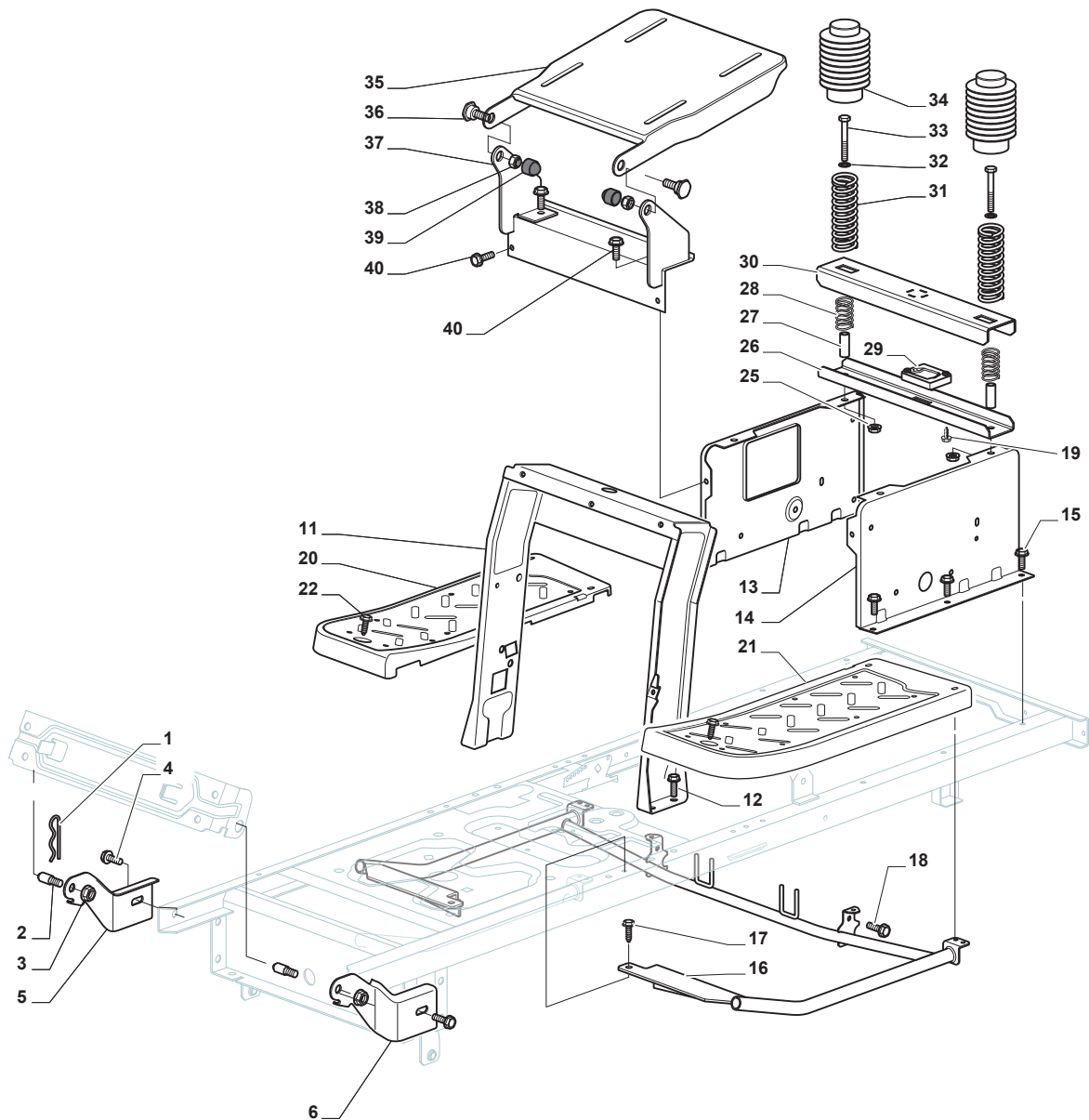
2T0520224/CAS - Season 2015

- Use GLOBAL GARDEN PRODUCT Genuine Spare Parts specified in the parts list for repair and/or replacement.
 - The contents described in the parts list may change due to improvement.
 - The drawings of the spare parts are only indicative and might not represent the part in question exactly.
 - The indications "right" - "left" - "front" - "rear" refer to the position of the operator when using the machine.
- When placing orders of parts for repair and/or replacement, make sure that the illustrated parts list is the one applying to the machine's year of manufacture, as shown on the identification plate attached to the machine.

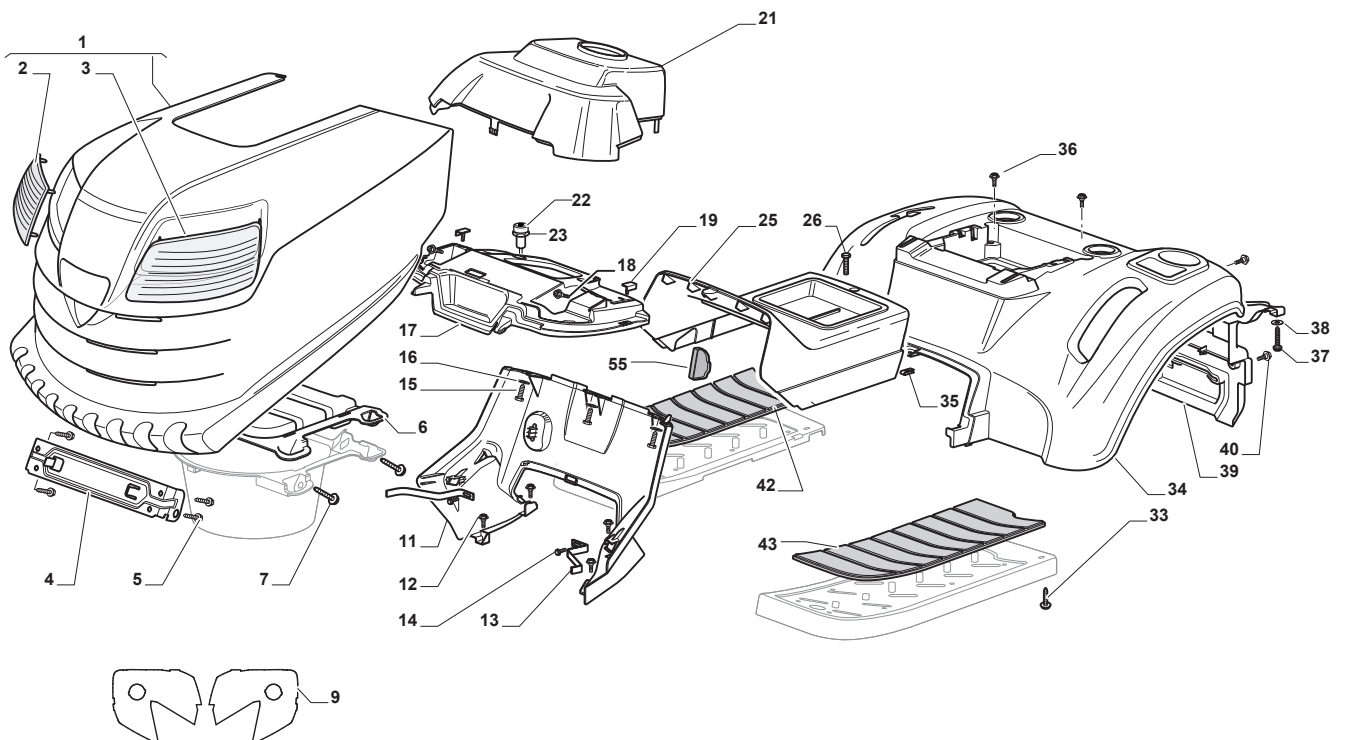
© Copyright 2015 Global Garden Products

All rights reserved. No part of this material may be reproduced or transmitted, in any form or by any means, electronic or mechanical, including photocopying, recording or by any information storage and retrieval system, without permission in writing from GLOBAL GARDEN PRODUCTS.

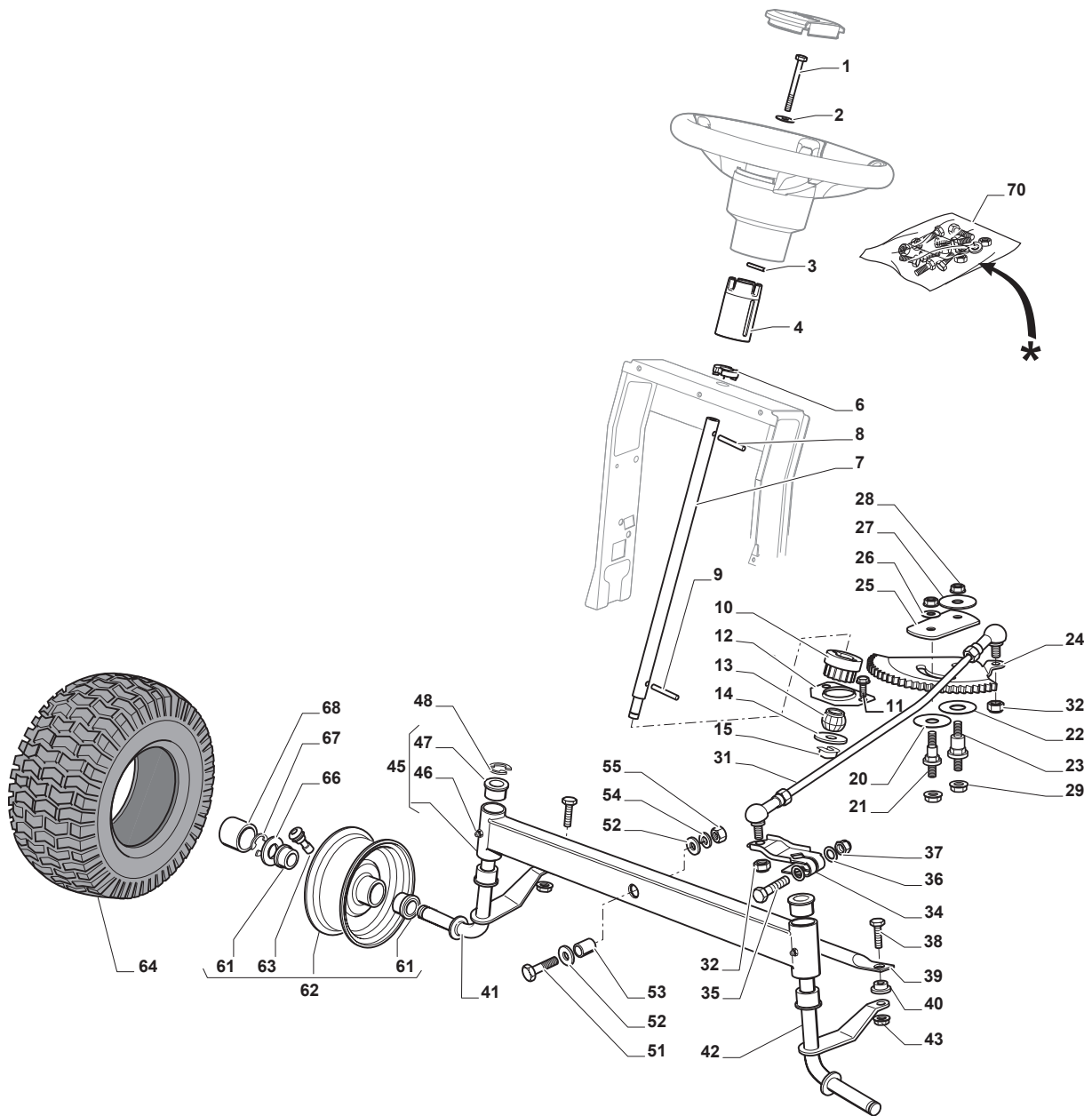
www.stiga.com



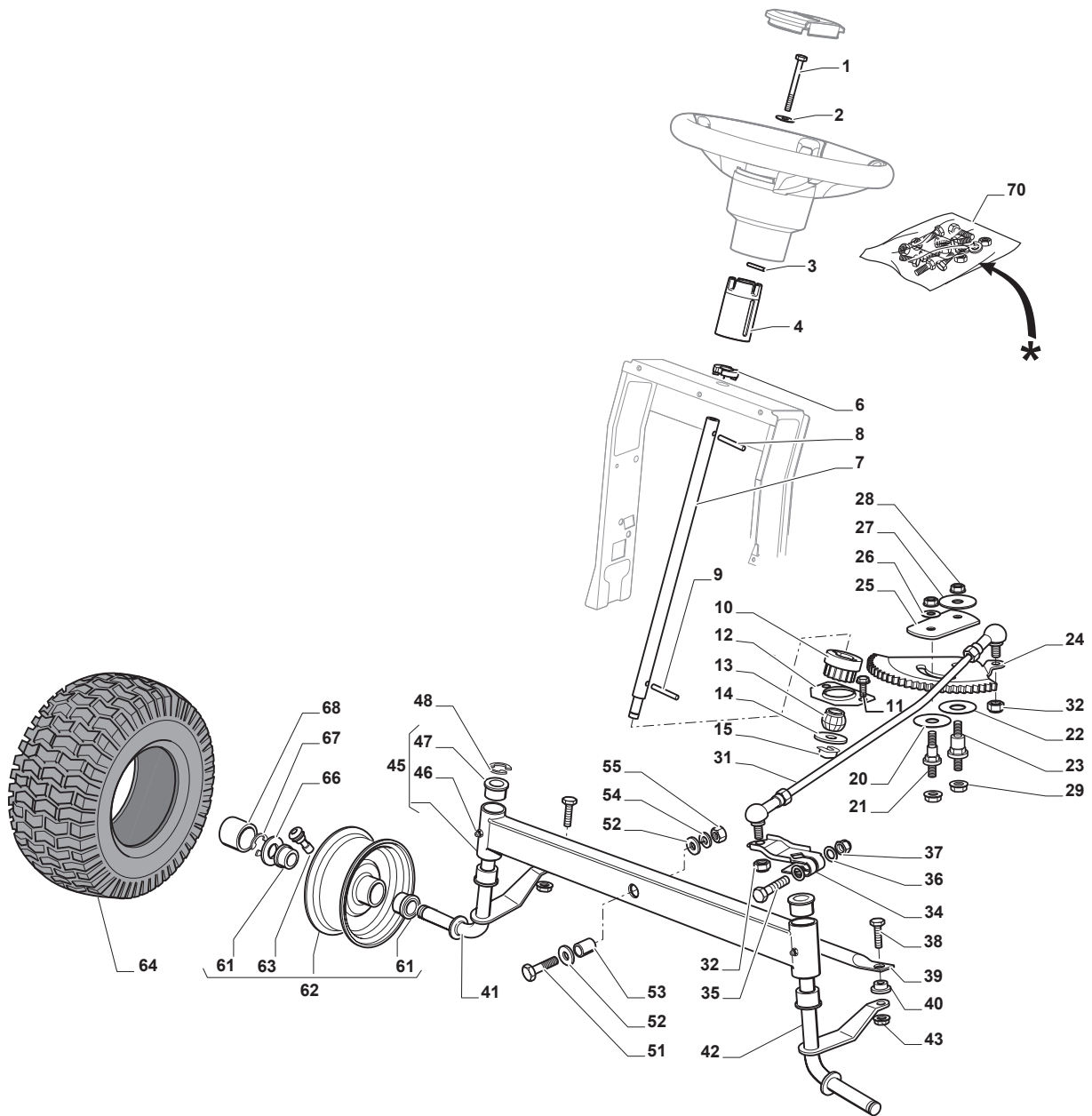
| Utgåva Issue 3 - 2015 | | Kaross | | Chassis | |
|-----------------------------|-------------------|-------------------|----------------------|-------------------------|---------------------|
| Pos. Fig. | Antal Quantity | Art nr Part No | Benämning | Description | Anmärkning Notes |
| 1 | 1 | 124487998/0 | Fjäder Clip | Cotter Pin | |
| 2 | 2 | 125510079/1 | Stift | Pin | |
| 3 | 2 | 112155000/0 | Mutter | Nut | |
| 4 | 2 | 112735599/0 | Skruv | Screw | |
| 5 | 1 | 325547225/0 | Plat | Right Plate | |
| 6 | 1 | 325547227/0 | Plat | Left Plate | |
| 11 | 1 | 382785169/1 | Rättrörsfäste | Steering Column Support | |
| 12 | 4 | 125943009/0 | Skruv | Screw | |
| 13 | 1 | 325785331/1 | Fäste | Right Seat Support | |
| 14 | 1 | 325785333/1 | Vänster Sitsfäste | Left Seat Support | |
| 15 | 6 | 125943009/0 | Skruv | Screw | |
| 16 | 1 | 382785179/0 | Fotsteg | Footboard Support | |
| 17 | 2 | 125943009/0 | Skruv | Screw | |
| 18 | 2 | 125943009/0 | Skruv | Screw | |
| 19 | 2 | 112728686/0 | Skruv | Screw | |
| 20 | 1 | 325500041/1 | Fotstöd + Moa | Right Footboard | |
| 21 | 1 | 325500043/1 | Fotstöd + Moa | Left Footboard | |
| 22 | 2 | 112735599/0 | Skruv | Screw | |
| 25 | 2 | 112293201/0 | Mutter | Nut | |
| 26 | 1 | 325820109/0 | Förstärkning | Seat Support | |
| 26 | 1 | 325820109/1 | Bakre Sitsfäste | Seat Support | |
| 27 | 2 | 125160048/0 | Distans | Spacer | |
| 28 | 2 | 125430263/0 | Fjäder | Spring | |
| 29 | 1 | 325785379/1 | Fäste | Support | |
| 30 | 1 | 325820111/1 | Brytare Comand Cross | Switch Comand Cross | |
| 31 | 2 | 125430264/0 | Fjäder | Spring | |
| 32 | 2 | 112521350/0 | Bricka | Washer | |
| 33 | 2 | 112691400/0 | Skruv | Screw | |
| 34 | 2 | 325122002/0 | Huv | Hood | |
| 35 | 1 | 382547061/0 | Plat | Plate | |
| 36 | 2 | 122524970/2 | Stift | Fulcrum Pin | |
| 37 | 1 | 382820151/0 | Sitsfäste | Seat Support | |
| 38 | 2 | 112155010/0 | Mutter | Nut | |
| 39 | 2 | 118203854/0 | Skruv | Screw | |
| 40 | 4 | 125943009/0 | Skruv | Screw | |



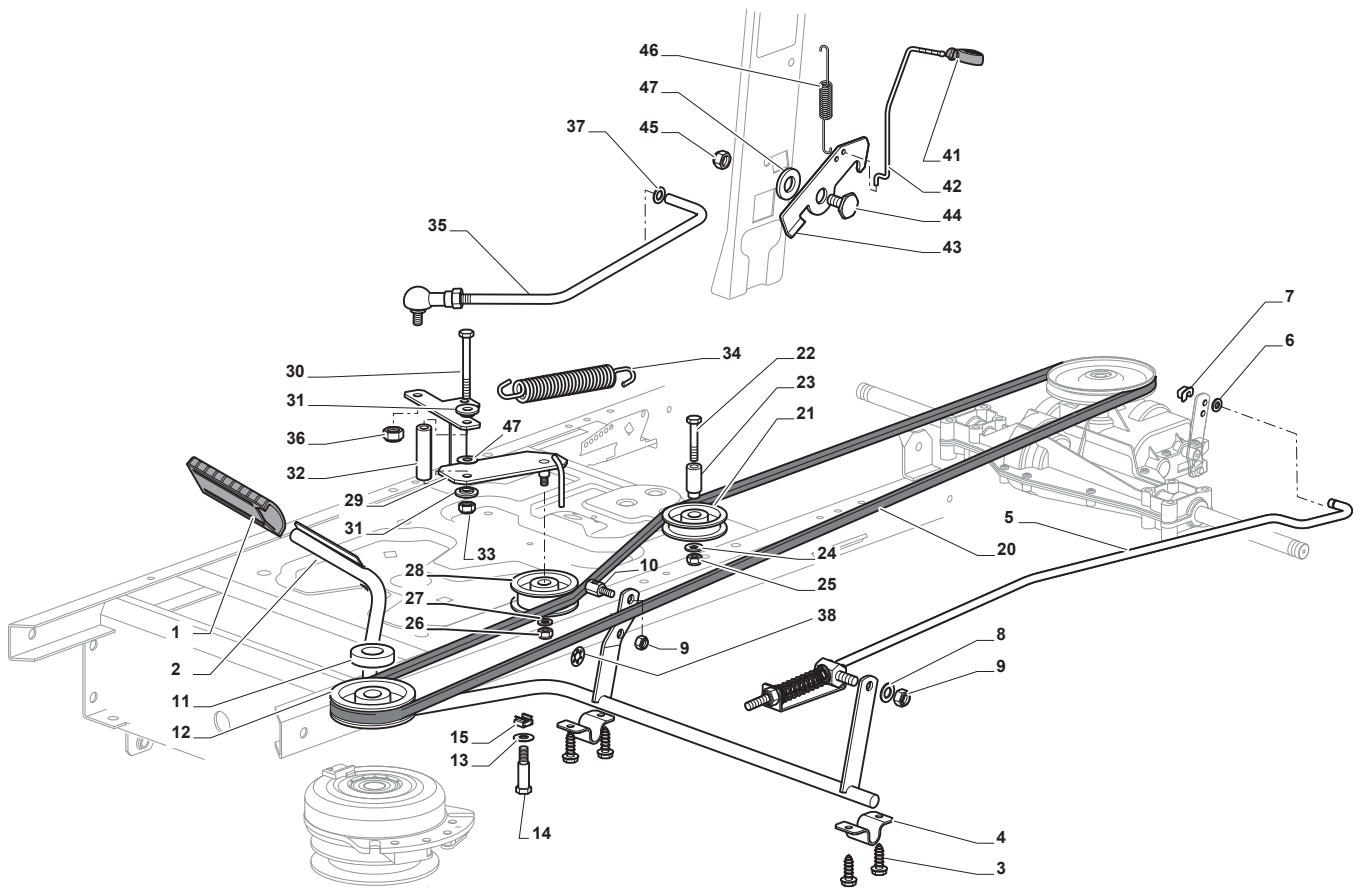
| Utgåva Issue 3 - 2015 | | Kaross Body | | | |
|-----------------------------|-------------------|-------------------|------------------|-----------------------|---------------------|
| Pos. Fig. | Antal Quantity | Art nr Part No | Benämning | Description | Anmärkning Notes |
| 1 | 1 | 325076899/0 | Kapa, svart | Engine Hood Black | |
| 2 | 1 | 325410887/0 | Skydd Höger | Right Grill | |
| 3 | 1 | 325410888/0 | Skydd Vänster | Left Grill | |
| 4 | 1 | 325785317/0 | Fäste | Engine Hood Support | |
| 5 | 4 | 112735403/0 | Skruv | Screw | |
| 6 | 1 | 325263302/1 | Huv Främre Svart | Air Intake Grill | |
| 7 | 4 | 112728692/0 | Skruv | Screw | |
| 9 | 2 | 114363452/0 | Dekal | Label | |
| 11 | 1 | 325785298/0 | Panelfäste | Dashboard Support | |
| 12 | 4 | 125943010/0 | Skruv | Screw | |
| 13 | 2 | 325270325/0 | Ledplat | Guide | |
| 14 | 2 | 112735599/0 | Skruv | Screw | |
| 15 | 3 | 112735406/0 | Skruv | Screw | |
| 16 | 3 | 112523040/0 | Bricka | Washer | |
| 17 | 1 | 325120259/0 | Panel | Dashboard | |
| 18 | 2 | 125943010/0 | Skruv | Screw | |
| 19 | 2 | 325260003/0 | Plugg | Grommet | |
| 21 | 1 | 325120203/0 | Kapa | Cover | |
| 22 | 1 | 325605003/0 | Knapp | Button | |
| 23 | 1 | 325256250/0 | Skruv | Screw | |
| 25 | 1 | 325110397/1 | Kapa Svart | Cover, Black | |
| 26 | 1 | 125943010/0 | Skruv | Screw | |
| 33 | 4 | 112735406/0 | Skruv | Screw | |
| 34 | 1 | 325110400/0 | Skärm Svart | Black Wheels Cover | |
| 35 | 1 | 112437506/0 | Plat | Plate | |
| 36 | 2 | 125943010/0 | Skruv | Screw | |
| 37 | 2 | 112735406/0 | Skruv | Screw | |
| 38 | 2 | 112523040/0 | Bricka | Washer | |
| 39 | 1 | 325547208/2 | Plåt | Plate | |
| 40 | 2 | 125943010/0 | Skruv | Screw | |
| 42 | 1 | 325110384/0 | Fotstegsskydd-hö | Right Footboard Cover | |
| 43 | 1 | 325110385/0 | Fotstegsskydd-vä | Left Footboard Cover | |
| 55 | 1 | 325207191/0 | Plat | Plate | |



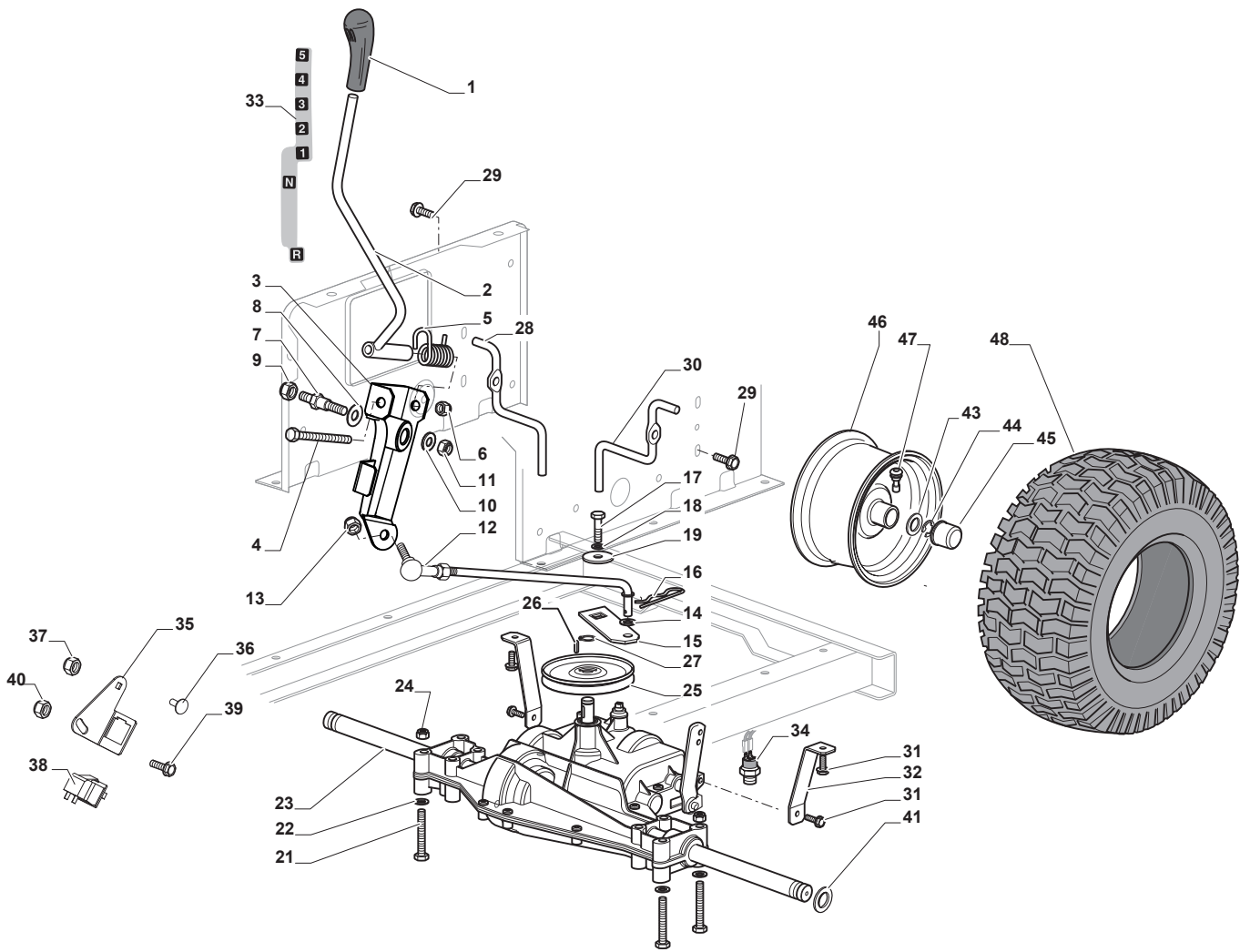
| Utgåva Issue 3 - 2015 | | Steering | | | |
|-----------------------------|-------------------|-------------------|-----------------|------------------------------------|---------------------|
| Pos. Fig. | Antal Quantity | Art nr Part No | Benämning | Description | Anmärkning Notes |
| 1 | 1 | 112692050/0 | Skruv | Screw | |
| 2 | 1 | 112540260/0 | Lasbricka | Grower | |
| 3 | 1 | 112523070/0 | Bricka | Washer | |
| 4 | 1 | 382785266/0 | Fäste | Support | |
| 6 | 1 | 325038008/0 | Bussning | Bushing | |
| 7 | 1 | 125520007/0 | Rattstang | Steering Column | |
| 8 | 1 | 112620300/0 | Fjäder | Spring | |
| 9 | 1 | 112622650/0 | Stift | Dowel pin | |
| 10 | 1 | 125570003/0 | Drev | Pinion | |
| 11 | 2 | 127943051/0 | Skruv | Screw | |
| 12 | 1 | 325785213/1 | Fäste | Support | |
| 13 | 1 | 325743000/0 | Länk | Joint | |
| 14 | 1 | 112521370/0 | Bricka | Washer | |
| 15 | 1 | 112436030/0 | Plat | Plate | |
| 20 | 1 | 322672151/0 | Bricka | Antifriction Washer | |
| 21 | 1 | 125510104/0 | Stift | Pin | |
| 22 | 1 | 125670023/0 | Bricka | Washer | |
| 23 | 1 | 125510109/0 | Stift | Pin | |
| 24 | 1 | 325735519/0 | Segment | Steering Sector | |
| 25 | 1 | 325547233/0 | Plat | Plate | |
| 26 | 1 | 112369500/0 | Bricka | Elastic Washer | |
| 27 | 1 | 122160400/0 | Fjäderbricka | Elastic Disc | |
| 28 | 2 | 112155010/0 | Mutter | Nut | |
| 29 | 2 | 112155010/0 | Mutter | Nut | |
| 31 | 1 | 382000566/2 | Rattstang | Steering Rod | |
| 32 | 2 | 112156602/0 | Mutter | Nut | |
| 34 | 1 | 325318243/0 | Spak | Lever | |
| 35 | 1 | 112692390/0 | Skruv | Screw | |
| 36 | 2 | 112521360/0 | Bricka | Washer | |
| 37 | 1 | 112156602/0 | Mutter | Nut | |
| 38 | 2 | 125510103/0 | Stift | Pin | |
| 39 | 1 | 325840029/0 | Parallellstag | Tie Rod | |
| 40 | 2 | 325038007/0 | Bussning | Bushing | |
| 41 | 1 | 382230369/0 | Spindel Höger | Right Stub Axle | |
| 42 | 1 | 382230371/0 | Spindel Vänster | Left Stub Axle | |
| 43 | 2 | 112155000/0 | Mutter | Nut | |
| 45 | 1 | 382034030/0 | Framaxel | Equalizer With Bush And Lubricator | |
| 46 | 2 | 112379511/0 | Smörjnippel | Grease Dispenser | |
| 47 | 4 | 125034002/1 | Bussning | Bushing | |
| 48 | 1 | 112001010/0 | Lasring | Benzing Ring | |
| 51 | 1 | 112692695/0 | Skruv | Screw | |
| 52 | 2 | 112523100/0 | Bricka | Washer | |
| 53 | 1 | 125160016/0 | Distans | Spacer | |
| 54 | 1 | 112587100/0 | Fj.Bricka | Grower | |
| 55 | 1 | 112295300/0 | Mutter | Nut | |
| 61 | 4 | 125122200/2 | Kullager | Bearing | |
| 62 | 2 | 182000598/0 | Fälg kpl | Rimm | |
| 63 | 2 | 125950000/0 | Ventil | Valve | |
| 64 | 2 | 125590014/0 | Däck | Tyre | |



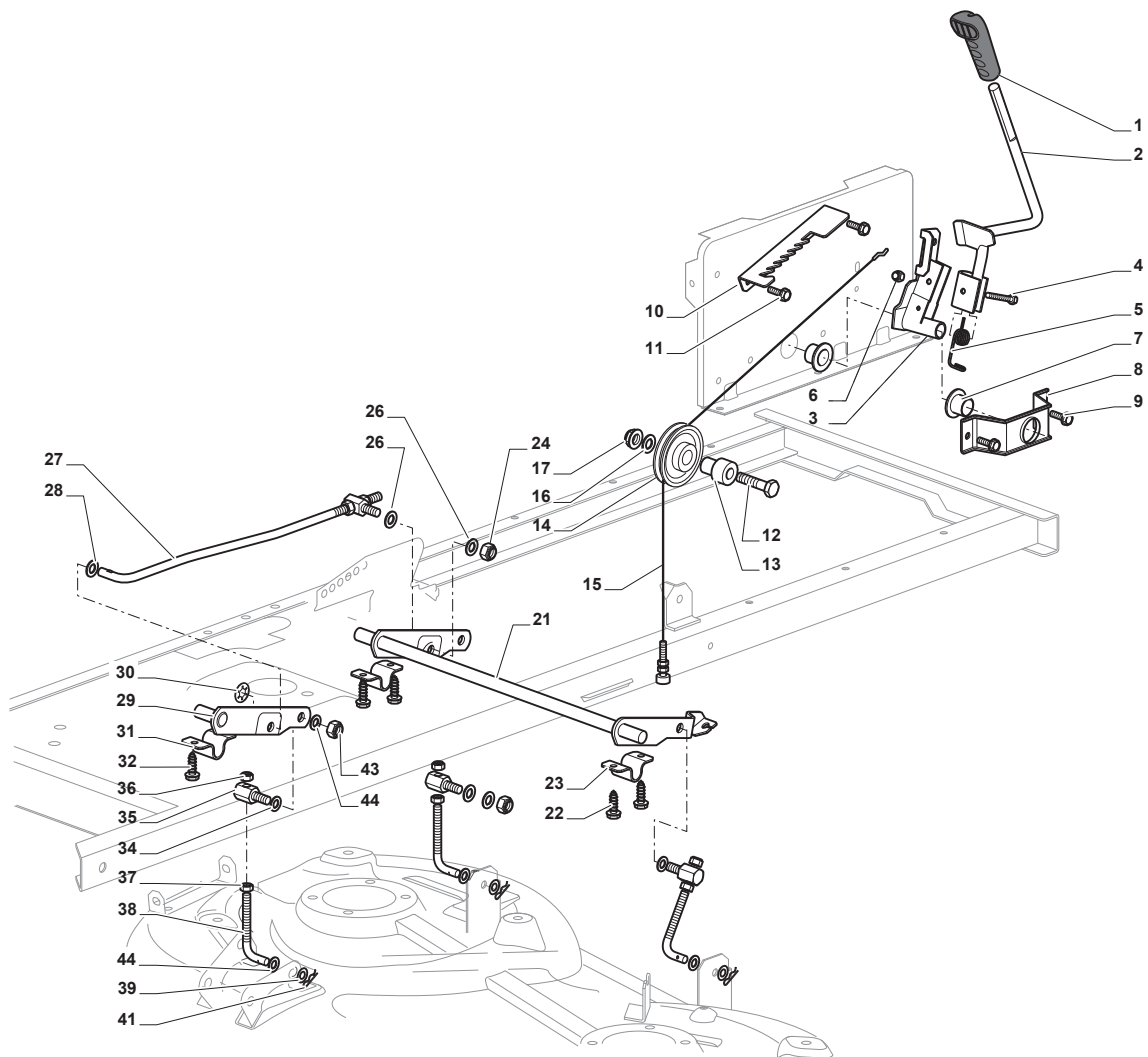
| Utgåva Issue 3 - 2015 | | Steering | | | |
|-----------------------------|-------------------|-------------------|-----------|--------------|---------------------|
| Pos. Fig. | Antal Quantity | Art nr Part No | Benämning | Description | Anmärkning Notes |
| 64 | 2 | 125590018/0 | Däck | Tyre | |
| 66 | 2 | 125670005/1 | Bricka | Washer | |
| 67 | 2 | 112001010/0 | Lasring | Benzing Ring | |
| 70 | 1 | 382180124/0 | Skruv | Screw | |
| 68 | 2 | 322110239/0 | Navkapsel | Hub Cover | |



| Utgåva Issue 3 - 2015 | | Broms och växelreglage | | Brake And Gearbox Controls | |
|-----------------------------|-------------------|------------------------|---------------------|----------------------------|---------------------|
| Pos. Fig. | Antal Quantity | Art nr Part No | Benämning | Description | Anmärkning Notes |
| 1 | 1 | 325110391/0 | Fäste | Clamp Cover | |
| 2 | 1 | 382500047/0 | Bromspedal Sd/Mp Pe | Pedal | |
| 3 | 4 | 112735599/0 | Skruv | Screw | |
| 4 | 2 | 325547231/0 | Plat | Plate | |
| 5 | 1 | 382000568/0 | Bromsstang kpl | Rod | |
| 6 | 1 | 112521350/0 | Bricka | Washer | |
| 7 | 1 | 112436050/0 | Plat | Plate | |
| 8 | 1 | 325670011/0 | Bricka | Antifriction Washer | |
| 9 | 1 | 112155000/0 | Mutter | Nut | |
| 10 | 1 | 125510116/0 | Stift | Pin | |
| 11 | 1 | 125160021/0 | Distans | Spacer | |
| 12 | 1 | 125601567/0 | Remskiva | Pulley | |
| 13 | 2 | 112524010/0 | Bricka | Washer | |
| 14 | 2 | 125580030/0 | Remstyrning | Belt Guide Peg | |
| 15 | 2 | 112360425/0 | Mutter | Nut | |
| 20 | 1 | 135062014/0 | Drivrem | Belt | |
| 21 | 1 | 325601599/0 | Remskiva | Pulley | |
| 22 | 1 | 112691400/0 | Skruv | Screw | |
| 23 | 1 | 125160083/0 | Distans | Spacer | |
| 24 | 1 | 112523060/0 | Bricka | Washer | |
| 25 | 1 | 112155000/0 | Mutter | Nut | |
| 26 | 1 | 112155000/0 | Mutter | Nut | |
| 27 | 1 | 112523060/0 | Bricka | Washer | |
| 28 | 1 | 125601554/0 | Remskiva | Pulley | |
| 29 | 1 | 382318283/0 | Spak | Lever | |
| 30 | 1 | 112691600/0 | Skruv | Screw | |
| 31 | 2 | 125038002/1 | Bussning | Bushing | |
| 32 | 1 | 125160027/0 | Distans | Spacer | |
| 33 | 1 | 112155000/0 | Mutter | Nut | |
| 34 | 1 | 125430262/0 | Fjäder | Spring | |
| 35 | 1 | 382820016/1 | Parallellstag | Tie Rod | |
| 36 | 1 | 112293201/0 | Mutter | Nut | |
| 37 | 1 | 124487997/0 | Lasnal | Cotter Pin | |
| 38 | 1 | 112604899/0 | Starlock | Crown Fastener | |
| 41 | 1 | 125394509/1 | Knopp | Knob | |
| 42 | 1 | 125033113/0 | Stang | Rod | |
| 43 | 1 | 325253011/1 | Krok | Hook | |
| 44 | 1 | 122524970/2 | Stift | Fulcrum Pin | |
| 45 | 1 | 112155000/0 | Mutter | Nut | |
| 46 | 1 | 125430213/0 | Fjäder | Spring | |
| 47 | 1 | 112523060/0 | Bricka | Washer | |

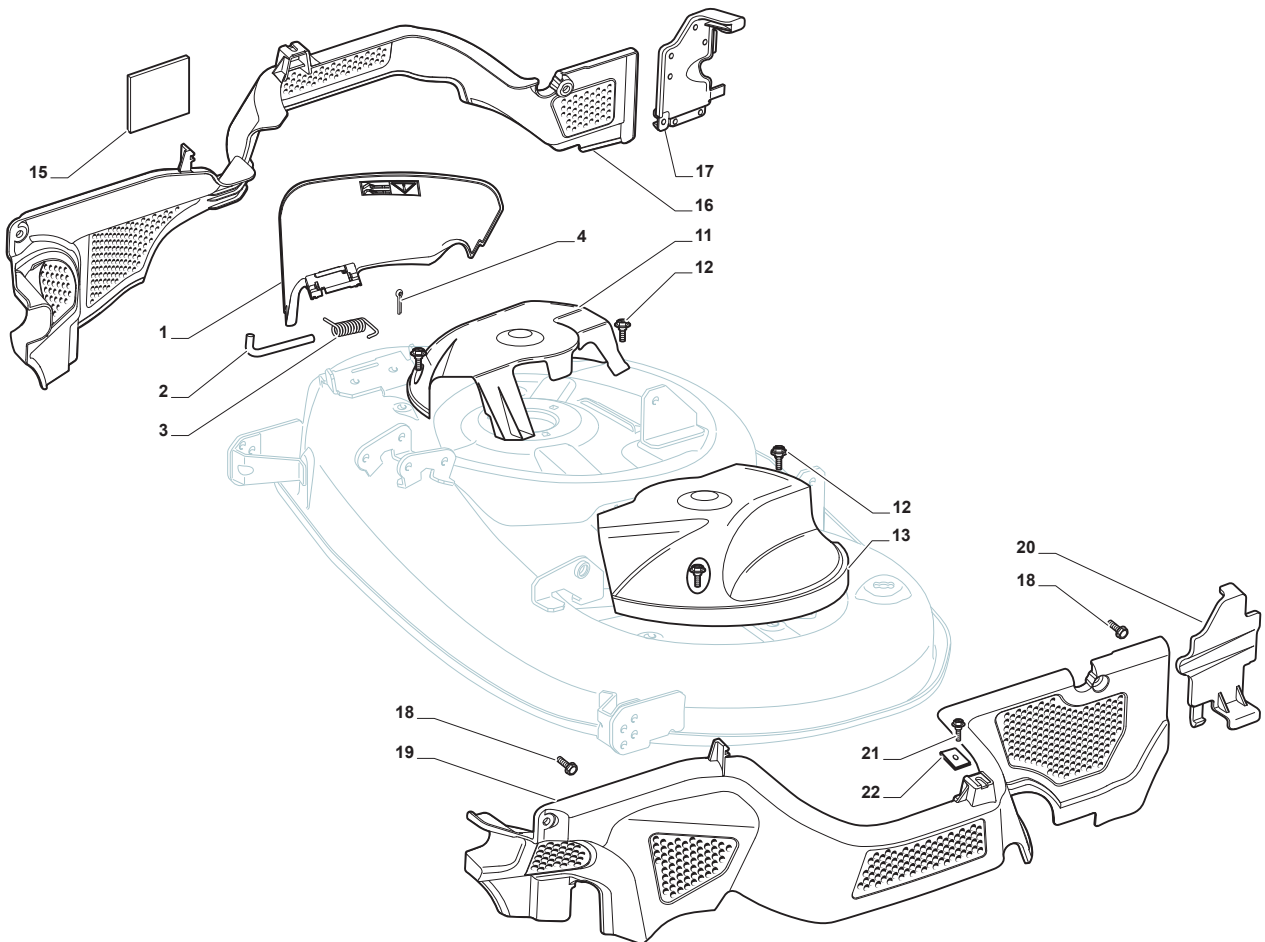


| Utgåva Issue 3 - 2015 | | Kaross | Body | | |
|-----------------------------|-------------------|-------------------|-------------------------|----------------------------|---------------------|
| Pos. Fig. | Antal Quantity | Art nr Part No | Benämning | Description | Anmärkning Notes |
| 1 | 1 | 325394532/0 | Knopp | Knob | |
| 2 | 1 | 382318233/0 | Reglagespak | Lever | |
| 3 | 1 | 382774259/1 | Fäste | Clamp | |
| 4 | 1 | 112692050/0 | Skruv | Screw | |
| 5 | 1 | 125430226/0 | Fjäder | Spring | |
| 6 | 1 | 112155000/0 | Mutter | Nut | |
| 7 | 1 | 125510035/0 | Stift | Pin | |
| 8 | 1 | 322672151/0 | Bricka | Antifriction Washer | |
| 9 | 1 | 112293201/0 | Mutter | Nut | |
| 10 | 1 | 112523060/0 | Bricka | Washer | |
| 11 | 1 | 112155010/0 | Mutter | Nut | |
| 12 | 1 | 382000567/0 | Stang kpl | Rod | |
| 13 | 1 | 112154210/0 | Mutter | Nut | |
| 14 | 1 | 112521340/0 | Bricka | Washer | |
| 15 | 1 | 325318235/0 | Växelarm | Lever | |
| 16 | 1 | 112141418/0 | Stift | Cotter Pin | |
| 17 | 1 | 112735520/0 | Skruv | Screw | |
| 18 | 1 | 112540040/0 | Bricka | Washer | |
| 19 | 1 | 322680009/0 | Bricka | Washer | |
| 21 | 4 | 112691600/0 | Skruv | Screw | |
| 22 | 4 | 112521350/0 | Bricka | Washer | |
| 23 | 1 | 118400910/2 | Transaxel (Mst 205-535) | Transmission (Mst 205-535) | |
| 24 | 4 | 112155000/0 | Mutter | Nut | |
| 25 | 1 | 182601509/0 | Remskiva | Pulley | |
| 26 | 1 | 112139430/0 | Kil | Key | |
| 27 | 1 | 112608950/0 | Sparring | Seeger | |
| 28 | 1 | 125270329/0 | Remstyrning | Belt Guide | |
| 29 | 2 | 112735599/0 | Skruv | Screw | |
| 30 | 1 | 125270330/0 | Remstyrning | Belt Guide | |
| 31 | 4 | 125943009/0 | Skruv | Screw | |
| 32 | 2 | 325785315/0 | Fäste | Support | |
| 33 | 1 | 114363451/0 | Dekal | Label | |
| 34 | 1 | 119410608/1 | Brytare Växellada | Neutral Switch | |
| 35 | 1 | 325785483/0 | Fäste | Support | |
| 36 | 2 | 112815200/0 | Skruv | Screw | |
| 37 | 2 | 112154510/0 | Mutter | Nut | |
| 38 | 1 | 119410614/0 | Mikrobrytare | Microswitch | |
| 39 | 2 | 112792611/0 | Skruv | Screw | |
| 40 | 2 | 112155000/0 | Mutter | Nut | |
| 41 | 2 | 125670005/2 | Bricka | Washer | |
| 43 | 6 | 125670005/1 | Bricka | Washer | |
| 44 | 2 | 112001010/0 | Lasring | Benzing Ring | |
| 45 | 2 | 322110239/0 | Navkapsel | Hub Cover | |
| 46 | 2 | 382000597/0 | BakhjulFälged | Rimm | |
| 47 | 2 | 125950000/0 | Ventil | Valve | |
| 48 | 2 | 125590015/0 | Däck | Tyre | |

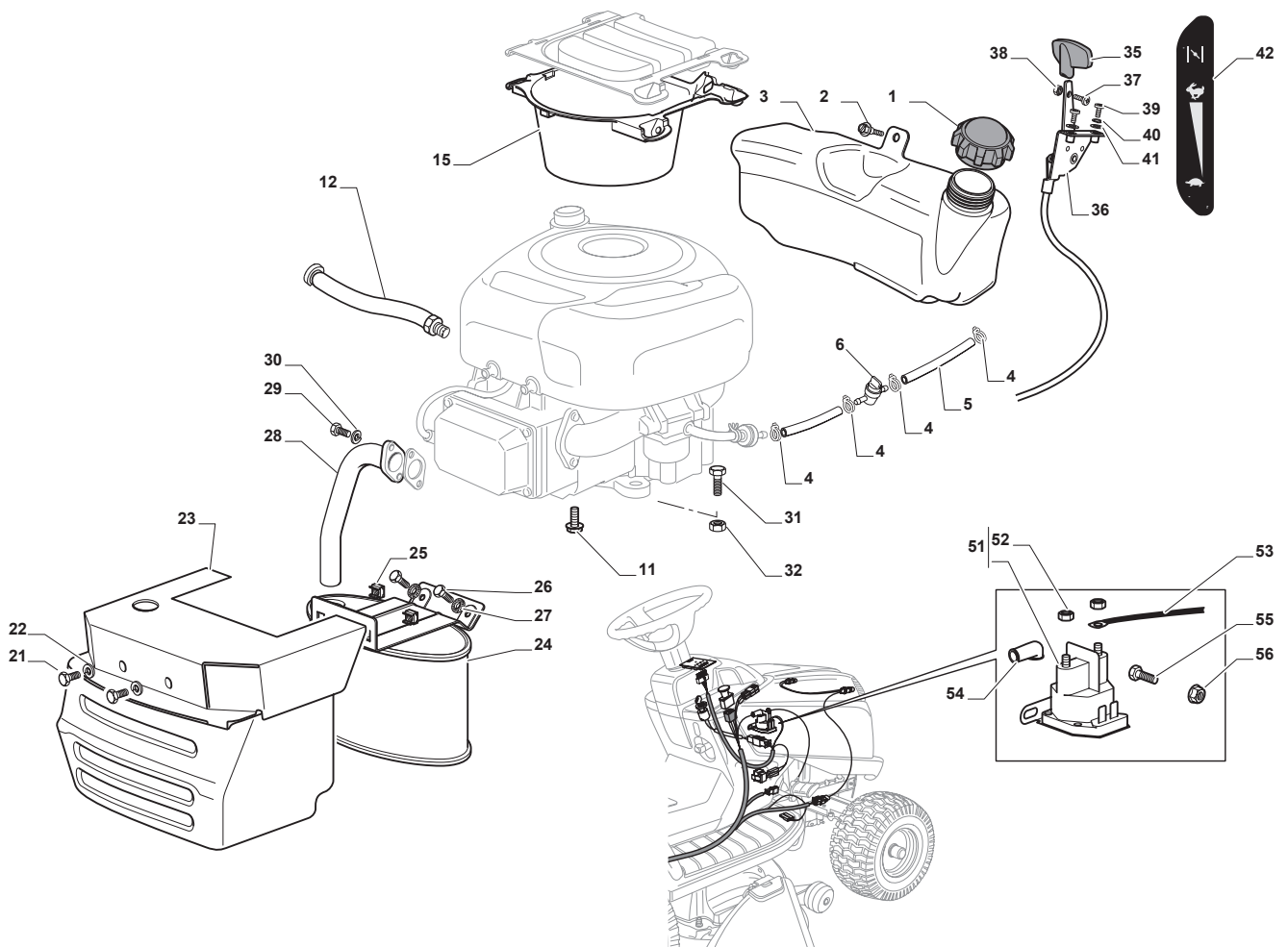


| Utgåva Issue 3 - 2015 | | Skärplatta, Lyft Cutting Plate Lifting | | | |
|-----------------------------|-------------------|---|-------------|---------------------|---------------------|
| Pos. Fig. | Antal Quantity | Art nr Part No | Benämning | Description | Anmärkning Notes |
| 1 | 1 | 325394533/0 | Knopp | Knob | |
| 2 | 1 | 382318229/0 | Lyftspak | Lever | |
| 3 | 1 | 382318231/0 | Axel | Axle | |
| 4 | 1 | 112674700/0 | Skruv | Screw | |
| 5 | 1 | 125430261/0 | Fjäder | Spring | |
| 6 | 1 | 112154510/0 | Mutter | Nut | |
| 7 | 2 | 325038006/0 | Bussning | Bushing | |
| 8 | 1 | 325785297/0 | Fäste | Support | |
| 9 | 2 | 125943009/0 | Skruv | Screw | |
| 10 | 1 | 325735515/0 | Segment | Steering Sector | |
| 11 | 2 | 125943009/0 | Skruv | Screw | |
| 12 | 1 | 112793701/0 | Skruv | Screw | |
| 13 | 1 | 125040636/0 | Bussning | Bushing | |
| 14 | 1 | 125601579/0 | Remskiva | Pulley | |
| 15 | 1 | 382004620/0 | Kabel | Wire | |
| 16 | 1 | 112523060/0 | Bricka | Washer | |
| 17 | 1 | 112293201/0 | Mutter | Nut | |
| 21 | 1 | 382318239/0 | Lyftaxel | Axle | |
| 22 | 4 | 112735599/0 | Skruv | Screw | |
| 23 | 2 | 325547231/0 | Plat | Plate | |
| 24 | 1 | 112155000/0 | Mutter | Nut | |
| 26 | 2 | 325670011/0 | Bricka | Antifriction Washer | |
| 27 | 1 | 382000569/1 | Lyftspak | Connecting Rod | |
| 28 | 1 | 112521350/0 | Bricka | Washer | |
| 29 | 1 | 382318237/0 | Spak | Axle | |
| 30 | 1 | 112604899/0 | Starlock | Crown Fastener | |
| 31 | 1 | 325547231/0 | Plat | Plate | |
| 32 | 2 | 112735599/0 | Skruv | Screw | |
| 34 | 3 | 325670008/1 | Bricka | Washer | |
| 35 | 3 | 125510107/1 | Stift | Pin | |
| 36 | 3 | 112156602/0 | Mutter | Nut | |
| 37 | 3 | 112295200/0 | Mutter | Nut | |
| 38 | 3 | 125840012/0 | Spännstang | Tie Rod | |
| 39 | 3 | 112523060/0 | Bricka | Washer | |
| 41 | 3 | 124487998/0 | Fjäder Clip | Cotter Pin | |
| 43 | 3 | 112156602/0 | Mutter | Nut | |
| 44 | 6 | 325670008/1 | Bricka | Washer | |

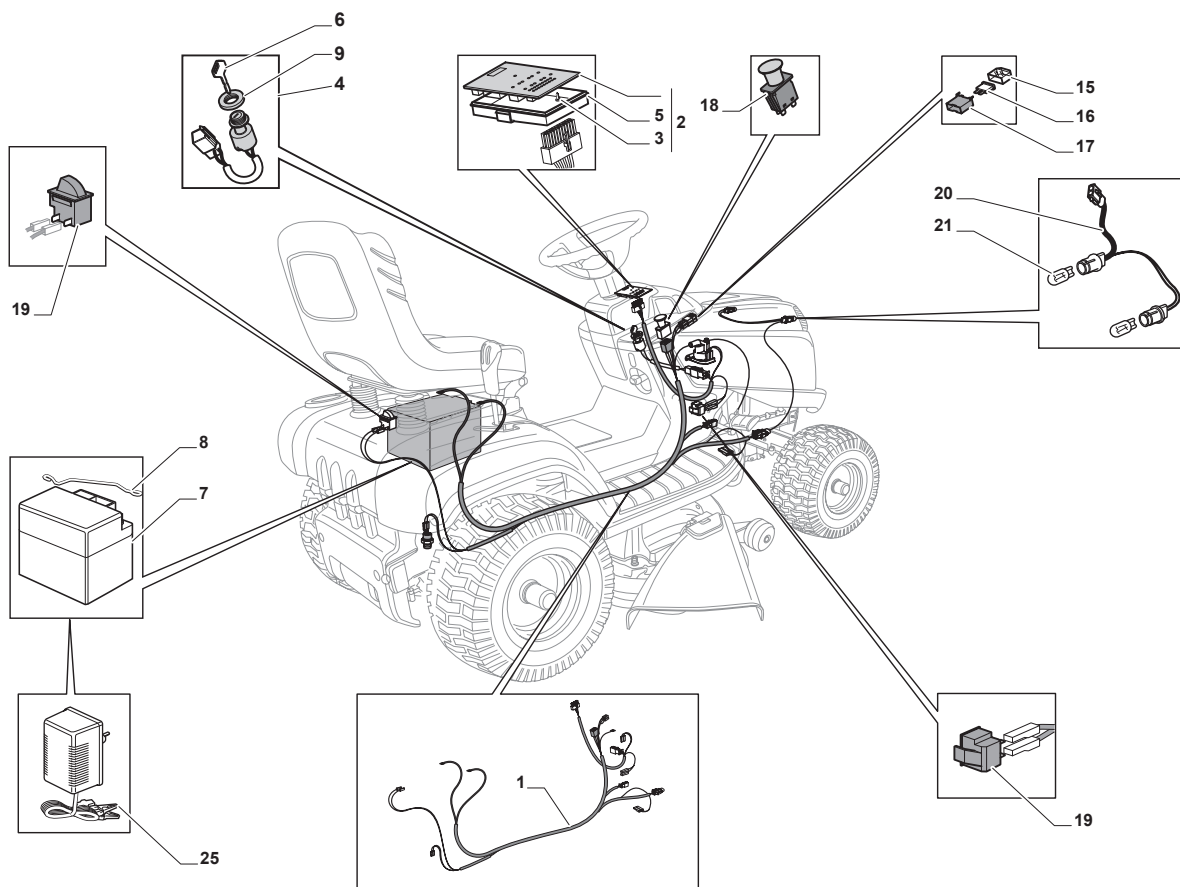
| Utgåva Issue 3 - 2015 | | Skärplatta Cutting Plate | | | |
|-----------------------------|-------------------|-----------------------------|-----------------------|------------------------|---------------------|
| Pos. Fig. | Antal Quantity | Art nr Part No | Benämning | Description | Anmärkning Notes |
| 1 | 1 | 382564209/0 | Klipplkapa | Cutting Plate Black | |
| 2 | 2 | 325033086/0 | Vattenslanganslutning | Water Hose Connection | |
| 3 | 2 | 119035000/0 | O-Ring | Or Ring | |
| 4 | 2 | 382207204/0 | Knivaxelfäste Sd 98 | Flange Assy | |
| 5 | 2 | 125020804/0 | Knivaxel | Shaft | |
| 6 | 4 | 119216047/0 | Kullager | Bearing | |
| 7 | 2 | 325160501/0 | Dammskydd | Dust Cover Disc | |
| 8 | 2 | 112609260/0 | Sparring | Seeger | |
| 11 | 1 | 135061504/0 | Drivrem | Belt | |
| 12 | 2 | 125601571/0 | Remskiva | Pulley | |
| 13 | 2 | 112793102/0 | Skruv | Screw | |
| 14 | 2 | 112540260/0 | Lasbricka | Grower | |
| 15 | 2 | 125670007/0 | Bricka | Washer | |
| 16 | 2 | 112139480/0 | Kil | Feather | |
| 17 | 6 | 112818690/0 | Skruv | Screw | |
| 18 | 6 | 112154210/0 | Mutter | Nut | |
| 21 | 1 | 112691400/0 | Skruv | Screw | |
| 22 | 1 | 112524010/0 | Bricka | Washer | |
| 23 | 1 | 112610800/0 | Sparring Sgh 35 | Seeger | |
| 24 | 1 | 119216048/0 | Kullager | Bearing | |
| 25 | 1 | 125601586/0 | Remskiva | Pulley | |
| 26 | 1 | 125160052/0 | Distans | Spacer | |
| 27 | 1 | 325318232/0 | Spännarm | Lever | |
| 28 | 1 | 112293201/0 | Mutter | Nut | |
| 29 | 1 | 112155020/0 | Mutter | Nut | |
| 30 | 1 | 125670022/0 | Bricka | Washer | |
| 31 | 1 | 125040635/0 | Bussning | Bushing | |
| 32 | 1 | 382004618/0 | Kabel | Wire | |
| 33 | 1 | 125160049/0 | Distans | Spacer | |
| 34 | 1 | 112523080/0 | Bricka | Washer | |
| 35 | 1 | 112156602/0 | Mutter | Nut | |
| 36 | 1 | 118399063/0 | Magnetkoppling | Electromagnetic Clutch | |
| 37 | 1 | 112543000/0 | Bricka | Washer | |
| 38 | 1 | 112737320/0 | Skruv | Screw | |
| 39 | 1 | 125430277/0 | Fjäder | Spring | |
| 41 | 2 | 112692050/0 | Skruv | Screw | |
| 42 | 2 | 112523060/0 | Bricka | Washer | |
| 43 | 2 | 125510072/0 | Stift | Pin | |
| 44 | 2 | 182700001/0 | Stödhjul | Levelling Small Wheel | |
| 45 | 2 | 112293201/0 | Mutter | Nut | |
| 51 | 2 | 382000565/0 | Tryckstang | Equalizer Rod | |
| 52 | 8 | 325670008/1 | Bricka | Washer | |
| 53 | 4 | 112156602/0 | Mutter | Nut | |
| 61 | 2 | 112735694/0 | Skruv | Screw | |
| 62 | 2 | 112523080/0 | Bricka | Washer | |
| 63 | 2 | 122160400/0 | Fjäderbricka | Elastic Disc | |
| 64 | 2 | 182004346/0 | Mulcherkniv | Mulching Blade | |
| 65 | 2 | 125463200/0 | Knivfäste | Blade Hub | |
| 66 | 2 | 112139100/0 | Kil | Key | |



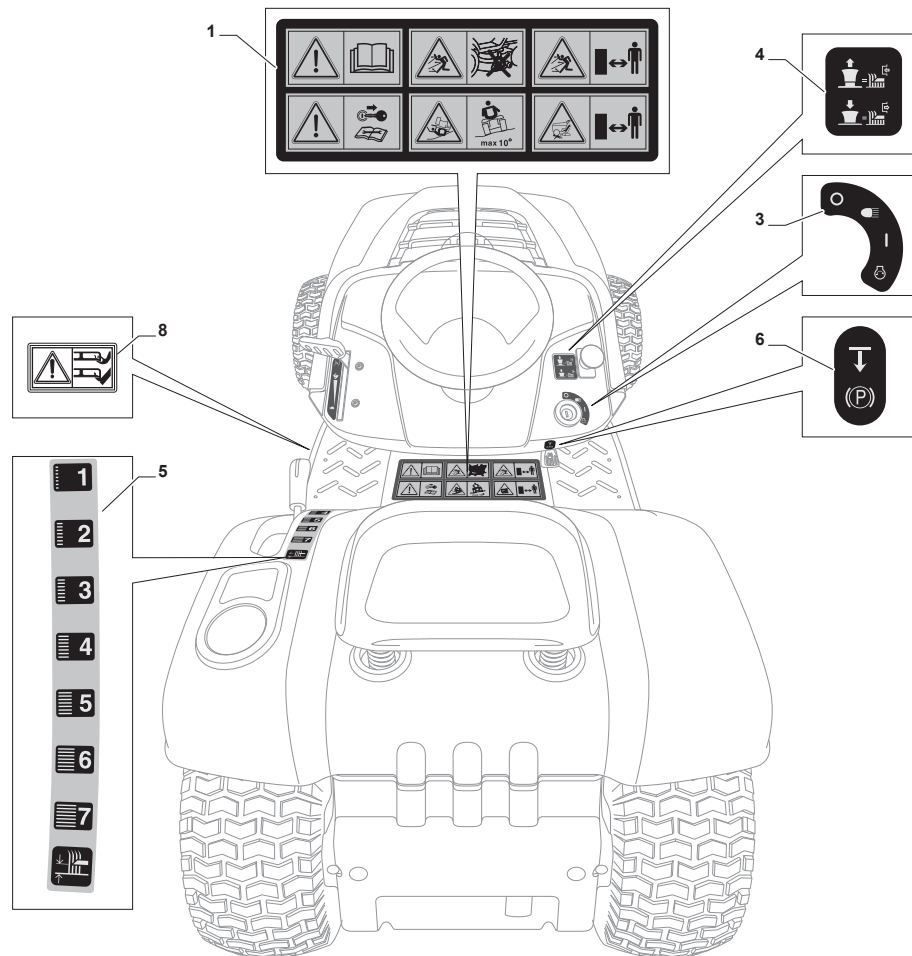
| Utgåva Issue 3 - 2015 | | Skydd Guards | | | |
|-----------------------------|-------------------|-------------------|------------------------------|------------------------------|---------------------|
| Pos. Fig. | Antal Quantity | Art nr Part No | Benämning | Description | Anmärkning Notes |
| 1 | 1 | 325600077/2 | Stenskottsskydd | Exit Protection | |
| 2 | 1 | 125510073/0 | Stift | Fulcrum Pin | |
| 3 | 1 | 125430242/1 | Fjäder | Spring | |
| 4 | 1 | 112141418/0 | Stift | Cotter Pin | |
| 11 | 1 | 325600078/0 | Remskydd-hö | Right Belt Protection Carter | |
| 12 | 4 | 125943006/0 | Skruv | Screw | |
| 13 | 1 | 325600079/0 | Remskydd-vä | Left Belt Protection | |
| 15 | 1 | 325600084/0 | Front VänsterSkydd Klippdäck | Guard | only 98cm |
| 16 | 1 | 325060154/0 | Remskydd | Case | |
| 17 | 1 | 325600082/0 | Höger Sitsfäste Skydd | Guard | |
| 18 | 4 | 125943011/0 | Skruv | Screw | |
| 19 | 1 | 325060155/0 | Remskydd | Case | |
| 20 | 1 | 325600083/0 | VänsterSitsfäste Skydd | Guard | |
| 21 | 2 | 127943051/0 | Skruv | Screw | |
| 22 | 2 | 112437506/0 | Plat | Plate | |



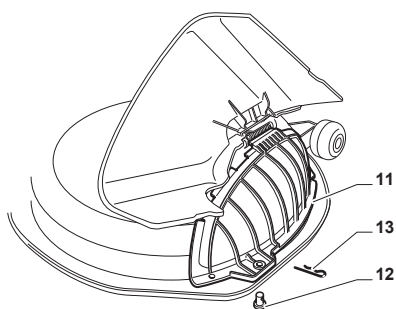
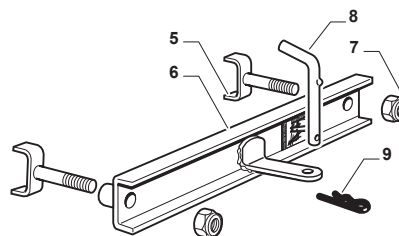
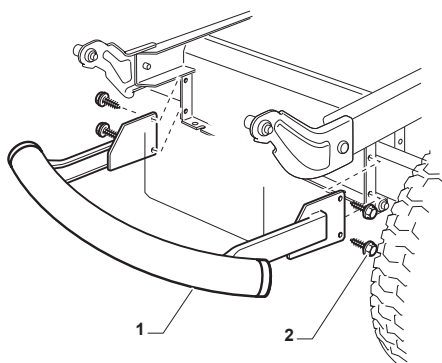
| Utgåva Issue 3 - 2015 | | Motor - B&S | Engine - B&S | | |
|-----------------------------|-------------------|-------------------|-------------------------|--------------------|---------------------|
| Pos. Fig. | Antal Quantity | Art nr Part No | Benämning | Description | Anmärkning Notes |
| 6 | 1 | 118562996/0 | Bensinkran | Shut out valve | |
| 1 | 1 | 125795001/1 | Tanklock Tc Honda 05/06 | Cap | |
| 2 | 4 | 125943010/0 | Skruv | Screw | |
| 3 | 1 | 325735126/0 | Bränsletank | Fuel Tank | |
| 4 | 4 | 118375051/1 | Slangklämma | Fair Led | |
| 5 | 1 | 325869057/0 | Bränsleslang | Connecting Tube | |
| 11 | 3 | 112735108/1 | Skruv | Screw | |
| 12 | 1 | 1134-5827-01 | Oljeavtappning Kpl | Oil Drain Assy | |
| 15 | 1 | 325108044/1 | Luftledare | Conveyor | |
| 21 | 2 | 112792611/0 | Skruv | Screw | |
| 22 | 2 | 112540260/0 | Lasbricka | Grower | |
| 23 | 1 | 382598047/0 | Ljuddämparskydd | Muffler Protection | |
| 24 | 1 | 182750010/0 | Ljuddämpare | Muffler | |
| 25 | 2 | 112360425/0 | Mutter | Nut | |
| 26 | 2 | 112792611/0 | Skruv | Screw | |
| 27 | 2 | 112540260/0 | Lasbricka | Grower | |
| 28 | 1 | 118738224/0 | Avgasrör | Exhaust Conn. Tube | |
| 29 | 2 | 112737450/0 | Skruv | Screw | |
| 30 | 2 | 112540260/0 | Lasbricka | Grower | |
| 31 | 1 | 112691115/0 | Skruv | Screw | |
| 32 | 3 | 112154210/0 | Mutter | Nut | |
| 35 | 1 | 325394531/0 | Knopp | Knob | |
| 36 | 1 | 182000216/0 | Gaswire | Accelerator | |
| 37 | 1 | 112726389/0 | Skruv | Screw | |
| 38 | 1 | 112290800/0 | Mutter | Nut | |
| 39 | 2 | 112726389/0 | Skruv | Screw | |
| 40 | 2 | 112540020/0 | Bricka | Washer | |
| 41 | 2 | 112521310/0 | Bricka | Washer | |
| 42 | 1 | 114363697/0 | Dekal | Label | |
| 51 | 1 | 118736111/0 | Startrelä | Starter Relay | |
| 52 | 2 | 112360352/0 | Mutter | Nut | |
| 53 | 1 | 125065002/0 | Kabelhärva | Cable | |
| 54 | 1 | 118564864/1 | Polskydd | Protection | |
| 55 | 1 | 112790781/0 | Skruv | Screw | |
| 56 | 2 | 112154510/0 | Mutter | Nut | |



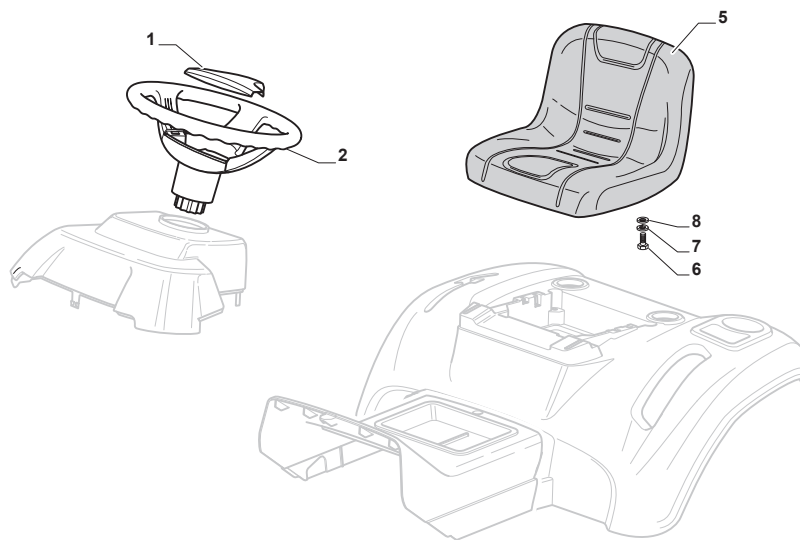
| Utgåva Issue 3 - 2015 | | Elsystem Electrical Parts | | | |
|-----------------------------|-------------------|------------------------------|----------------------|-----------------|-----------------------|
| Pos. Fig. | Antal Quantity | Art nr Part No | Benämning | Description | Anmärkning Notes |
| 1 | 1 | 182040150/0 | Kablage | Cables Ass.Y | (models with lamp) |
| 1 | 1 | 182040151/0 | Kablage | Cables Ass.Y | (models without lamp) |
| 2 | 1 | 382722429/0 | Elektronikkort | Electronic Card | |
| 3 | 1 | 112735101/0 | Skruv | Screw | |
| 4 | 1 | 118450075/0 | Tändningslas | Starting Switch | |
| 5 | 1 | 325600080/0 | Kretskort Skydd | Card Protection | |
| 6 | 1 | 118210023/0 | Startnyckel | Starting Key | |
| 7 | 1 | 118120002/1 | Batteri | Battery | |
| 8 | 1 | 125430265/0 | Fjäder | Spring | |
| 9 | 1 | 118400863/0 | Skruv | Screwed Ring | |
| 15 | 2 | 133215000/0 | Lock-Säkringshallare | Cover | |
| 16 | 1 | 133340036/0 | Säkring 25A | Fuse 25 A | |
| 16 | 1 | 133340040/0 | Säkring 10A | Fuse 10 A | |
| 17 | 2 | 133500007/0 | Säkringshallare | Fuse Carrier | |
| 18 | 1 | 118450074/0 | Brytare | Clutch Switch | |
| 19 | 2 | 119410613/0 | Mikrobrytare | Microswitch | |
| 21 | 2 | 118459100/0 | Glödlampa | Lamp For Lights | |
| 25 | 1 | 182180090/0 | Batteriladdare | Battery Charger | |
| 25 | 1 | 182180091/0 | Batteriladdare | Battery Charger | |



| Utgåva Issue 3 - 2015 | | Dekaler Labels | | | |
|-----------------------------|-------------------|-------------------|-----------|-------------|---------------------|
| Pos. Fig. | Antal Quantity | Art nr Part No | Benämning | Description | Anmärkning Notes |
| 1 | 1 | 114362365/1 | Dekal | Label | |
| 3 | 1 | 114363699/0 | Dekal | Label | |
| 4 | 1 | 114361438/0 | Dekal | Label | |
| 5 | 1 | 114363701/0 | Dekal | Label | |
| 6 | 1 | 114363700/0 | Dekal | Label | |
| 8 | 1 | 114356699/1 | Dekal | Label | |



| Utgåva Issue 3 - 2015 | | Tillbehör på begäran Optionals On Request | | | |
|-----------------------------|-------------------|--|-----------------------------|--------------------|---------------------|
| Pos. Fig. | Antal Quantity | Art nr Part No | Benämning | Description | Anmärkning Notes |
| 1 | 1 | 382869038/0 | Ljuddämparskydd | Muffler Protection | |
| 2 | 4 | 125943008/0 | Skruv | Screw | |
| 5 | 2 | 382650211/0 | Förstärkningkpl Trailer Kit | Stiffening | |
| 6 | 1 | 382033111/0 | Stag | Rod | |
| 7 | 2 | 112155000/0 | Mutter | Nut | |
| 8 | 1 | 125510021/1 | Stift | Hitch Pin | |
| 9 | 1 | 124487999/0 | Clip | Spring Pin | |
| 11 | 1 | 325140099/0 | Mulcherinsats | Deflector | |
| 12 | 1 | 125510111/0 | Stift | Pin | |
| 13 | 1 | 124487998/0 | Fjäder Clip | Cotter Pin | |



| Utgåva Issue 3 - 2015 | | Sits och ratt Seat & Steering Wheel | | | |
|-----------------------------|-------------------|--|-----------------------|----------------------|---------------------|
| Pos. Fig. | Antal Quantity | Art nr Part No | Benämning | Description | Anmärkning Notes |
| 1 | 1 | 325580504/0 | Styrkonsolkapa, Svart | Steering Plate Cover | |
| 2 | 1 | 325961219/0 | Ratt | Steering Wheel | |
| 5 | 1 | 125722472/0 | Sits | Seat | |
| 6 | 4 | 112792611/0 | Skruv | Screw | |
| 7 | 4 | 112540260/0 | Lasbricka | Grower | |
| 8 | 4 | 112523060/0 | Bricka | Washer | |

| code | pos. | q.ty | page | | | | | | | | | | | |
|-------------|------|------|-------|-------------|----|---|-------|-------------|----|---|-------|--|--|--|
| 125430263/0 | 28 | 2 | p. 3 | 182040150/0 | 1 | 1 | p. 23 | 325670011/0 | 26 | 2 | p. 15 | | | |
| 125430264/0 | 31 | 2 | p. 3 | 182040151/0 | 1 | 1 | p. 23 | 325735126/0 | 3 | 1 | p. 21 | | | |
| 125430265/0 | 8 | 1 | p. 23 | 182180090/0 | 25 | 1 | p. 23 | 325735515/0 | 10 | 1 | p. 15 | | | |
| 125430277/0 | 39 | 1 | p. 17 | 182180091/0 | 25 | 1 | p. 23 | 325735519/0 | 24 | 1 | p. 7 | | | |
| 125463200/0 | 65 | 2 | p. 17 | 182601509/0 | 25 | 1 | p. 13 | 325743000/0 | 13 | 1 | p. 7 | | | |
| 125510021/1 | 8 | 1 | p. 27 | 182700001/0 | 44 | 2 | p. 17 | 325785213/1 | 12 | 1 | p. 7 | | | |
| 125510035/0 | 7 | 1 | p. 13 | 182750010/0 | 24 | 1 | p. 21 | 325785297/0 | 8 | 1 | p. 15 | | | |
| 125510072/0 | 43 | 2 | p. 17 | 322110239/0 | 45 | 2 | p. 13 | 325785298/0 | 11 | 1 | p. 5 | | | |
| 125510073/0 | 2 | 1 | p. 19 | 322110239/0 | 68 | 2 | p. 9 | 325785315/0 | 32 | 2 | p. 13 | | | |
| 125510079/1 | 2 | 2 | p. 3 | 322672151/0 | 8 | 1 | p. 13 | 325785317/0 | 4 | 1 | p. 5 | | | |
| 125510103/0 | 38 | 2 | p. 7 | 322672151/0 | 20 | 1 | p. 7 | 325785331/1 | 13 | 1 | p. 3 | | | |
| 125510104/0 | 21 | 1 | p. 7 | 322680009/0 | 19 | 1 | p. 13 | 325785333/1 | 14 | 1 | p. 3 | | | |
| 125510107/1 | 35 | 3 | p. 15 | 325033086/0 | 2 | 2 | p. 17 | 325785379/1 | 29 | 1 | p. 3 | | | |
| 125510109/0 | 23 | 1 | p. 7 | 325038006/0 | 7 | 2 | p. 15 | 325785483/0 | 35 | 1 | p. 13 | | | |
| 125510111/0 | 12 | 1 | p. 27 | 325038007/0 | 40 | 2 | p. 7 | 325820109/0 | 26 | 1 | p. 3 | | | |
| 125510116/0 | 10 | 1 | p. 11 | 325038008/0 | 6 | 1 | p. 7 | 325820109/1 | 26 | 1 | p. 3 | | | |
| 125520007/0 | 7 | 1 | p. 7 | 325060154/0 | 16 | 1 | p. 19 | 325820111/1 | 30 | 1 | p. 3 | | | |
| 125570003/0 | 10 | 1 | p. 7 | 325060155/0 | 19 | 1 | p. 19 | 325840029/0 | 39 | 1 | p. 7 | | | |
| 125580030/0 | 14 | 2 | p. 11 | 325076899/0 | 1 | 1 | p. 5 | 325869057/0 | 5 | 1 | p. 21 | | | |
| 125590014/0 | 64 | 2 | p. 7 | 325108044/1 | 15 | 1 | p. 21 | 325961219/0 | 2 | 1 | p. 29 | | | |
| 125590015/0 | 48 | 2 | p. 13 | 325110384/0 | 42 | 1 | p. 5 | 382000565/0 | 51 | 2 | p. 17 | | | |
| 125590018/0 | 64 | 2 | p. 9 | 325110385/0 | 43 | 1 | p. 5 | 382000566/2 | 31 | 1 | p. 7 | | | |
| 125601554/0 | 28 | 1 | p. 11 | 325110391/0 | 1 | 1 | p. 11 | 382000567/0 | 12 | 1 | p. 13 | | | |
| 125601567/0 | 12 | 1 | p. 11 | 325110397/1 | 25 | 1 | p. 5 | 382000568/0 | 5 | 1 | p. 11 | | | |
| 125601571/0 | 12 | 2 | p. 17 | 325110400/0 | 34 | 1 | p. 5 | 382000569/1 | 27 | 1 | p. 15 | | | |
| 125601579/0 | 14 | 1 | p. 15 | 325120203/0 | 21 | 1 | p. 5 | 382000597/0 | 46 | 2 | p. 13 | | | |
| 125601586/0 | 25 | 1 | p. 17 | 325120259/0 | 17 | 1 | p. 5 | 382004618/0 | 32 | 1 | p. 17 | | | |
| 125670005/1 | 43 | 6 | p. 13 | 325122002/0 | 34 | 2 | p. 3 | 382004620/0 | 15 | 1 | p. 15 | | | |
| 125670005/1 | 66 | 2 | p. 9 | 325140099/0 | 11 | 1 | p. 27 | 382033111/0 | 6 | 1 | p. 27 | | | |
| 125670005/2 | 41 | 2 | p. 13 | 325160501/0 | 7 | 2 | p. 17 | 382034030/0 | 45 | 1 | p. 7 | | | |
| 125670007/0 | 15 | 2 | p. 17 | 325207191/0 | 55 | 1 | p. 5 | 382180124/0 | 70 | 1 | p. 9 | | | |
| 125670022/0 | 30 | 1 | p. 17 | 325253011/1 | 43 | 1 | p. 11 | 382207204/0 | 4 | 2 | p. 17 | | | |
| 125670023/0 | 22 | 1 | p. 7 | 325256250/0 | 23 | 1 | p. 5 | 382230369/0 | 41 | 1 | p. 7 | | | |
| 125722472/0 | 5 | 1 | p. 29 | 325260003/0 | 19 | 2 | p. 5 | 382230371/0 | 42 | 1 | p. 7 | | | |
| 125795001/1 | 1 | 1 | p. 21 | 325263302/1 | 6 | 1 | p. 5 | 382318229/0 | 2 | 1 | p. 15 | | | |
| 125840012/0 | 38 | 3 | p. 15 | 325270325/0 | 13 | 2 | p. 5 | 382318231/0 | 3 | 1 | p. 15 | | | |
| 125943006/0 | 12 | 4 | p. 19 | 325318232/0 | 27 | 1 | p. 17 | 382318233/0 | 2 | 1 | p. 13 | | | |
| 125943008/0 | 2 | 4 | p. 27 | 325318235/0 | 15 | 1 | p. 13 | 382318237/0 | 29 | 1 | p. 15 | | | |
| 125943009/0 | 9 | 2 | p. 15 | 325318243/0 | 34 | 1 | p. 7 | 382318239/0 | 21 | 1 | p. 15 | | | |
| 125943009/0 | 11 | 2 | p. 15 | 325394531/0 | 35 | 1 | p. 21 | 382318283/0 | 29 | 1 | p. 11 | | | |
| 125943009/0 | 12 | 4 | p. 3 | 325394532/0 | 1 | 1 | p. 13 | 382500047/0 | 2 | 1 | p. 11 | | | |
| 125943009/0 | 15 | 6 | p. 3 | 325394533/0 | 1 | 1 | p. 15 | 382547061/0 | 35 | 1 | p. 3 | | | |
| 125943009/0 | 17 | 2 | p. 3 | 325410887/0 | 2 | 1 | p. 5 | 382564209/0 | 1 | 1 | p. 17 | | | |
| 125943009/0 | 18 | 2 | p. 3 | 325410888/0 | 3 | 1 | p. 5 | 382598047/0 | 23 | 1 | p. 21 | | | |
| 125943009/0 | 31 | 4 | p. 13 | 325500041/1 | 20 | 1 | p. 3 | 382650211/0 | 5 | 2 | p. 27 | | | |
| 125943009/0 | 40 | 4 | p. 3 | 325500043/1 | 21 | 1 | p. 3 | 382722429/0 | 2 | 1 | p. 23 | | | |
| 125943010/0 | 2 | 4 | p. 21 | 325547208/2 | 39 | 1 | p. 5 | 382774259/1 | 3 | 1 | p. 13 | | | |
| 125943010/0 | 12 | 4 | p. 5 | 325547225/0 | 5 | 1 | p. 3 | 382785169/1 | 11 | 1 | p. 3 | | | |
| 125943010/0 | 18 | 2 | p. 5 | 325547227/0 | 6 | 1 | p. 3 | 382785179/0 | 16 | 1 | p. 3 | | | |
| 125943010/0 | 26 | 1 | p. 5 | 325547231/0 | 4 | 2 | p. 11 | 382785266/0 | 4 | 1 | p. 7 | | | |
| 125943010/0 | 36 | 2 | p. 5 | 325547231/0 | 23 | 2 | p. 15 | 382820016/1 | 35 | 1 | p. 11 | | | |
| 125943010/0 | 40 | 2 | p. 5 | 325547231/0 | 31 | 1 | p. 15 | 382820151/0 | 37 | 1 | p. 3 | | | |
| 125943011/0 | 18 | 4 | p. 19 | 325547233/0 | 25 | 1 | p. 7 | 382869038/0 | 1 | 1 | p. 27 | | | |
| 125950000/0 | 47 | 2 | p. 13 | 325580504/0 | 1 | 1 | p. 29 | | | | | | | |
| 125950000/0 | 63 | 2 | p. 7 | 325600077/2 | 1 | 1 | p. 19 | | | | | | | |
| 127943051/0 | 11 | 2 | p. 7 | 325600078/0 | 11 | 1 | p. 19 | | | | | | | |
| 127943051/0 | 21 | 2 | p. 19 | 325600079/0 | 13 | 1 | p. 19 | | | | | | | |
| 133215000/0 | 15 | 2 | p. 23 | 325600080/0 | 5 | 1 | p. 23 | | | | | | | |
| 133340036/0 | 16 | 1 | p. 23 | 325600082/0 | 17 | 1 | p. 19 | | | | | | | |
| 133340040/0 | 16 | 1 | p. 23 | 325600083/0 | 20 | 1 | p. 19 | | | | | | | |
| 133500007/0 | 17 | 2 | p. 23 | 325600084/0 | 15 | 1 | p. 19 | | | | | | | |
| 135061504/0 | 11 | 1 | p. 17 | 325601599/0 | 21 | 1 | p. 11 | | | | | | | |
| 135062014/0 | 20 | 1 | p. 11 | 325605003/0 | 22 | 1 | p. 5 | | | | | | | |
| 182000216/0 | 36 | 1 | p. 21 | 325670008/1 | 34 | 3 | p. 15 | | | | | | | |
| 182000598/0 | 62 | 2 | p. 7 | 325670008/1 | 44 | 6 | p. 15 | | | | | | | |
| 182004346/0 | 64 | 2 | p. 17 | 325670008/1 | 52 | 8 | p. 17 | | | | | | | |
| | | | | 325670011/0 | 8 | 1 | p. 11 | | | | | | | |