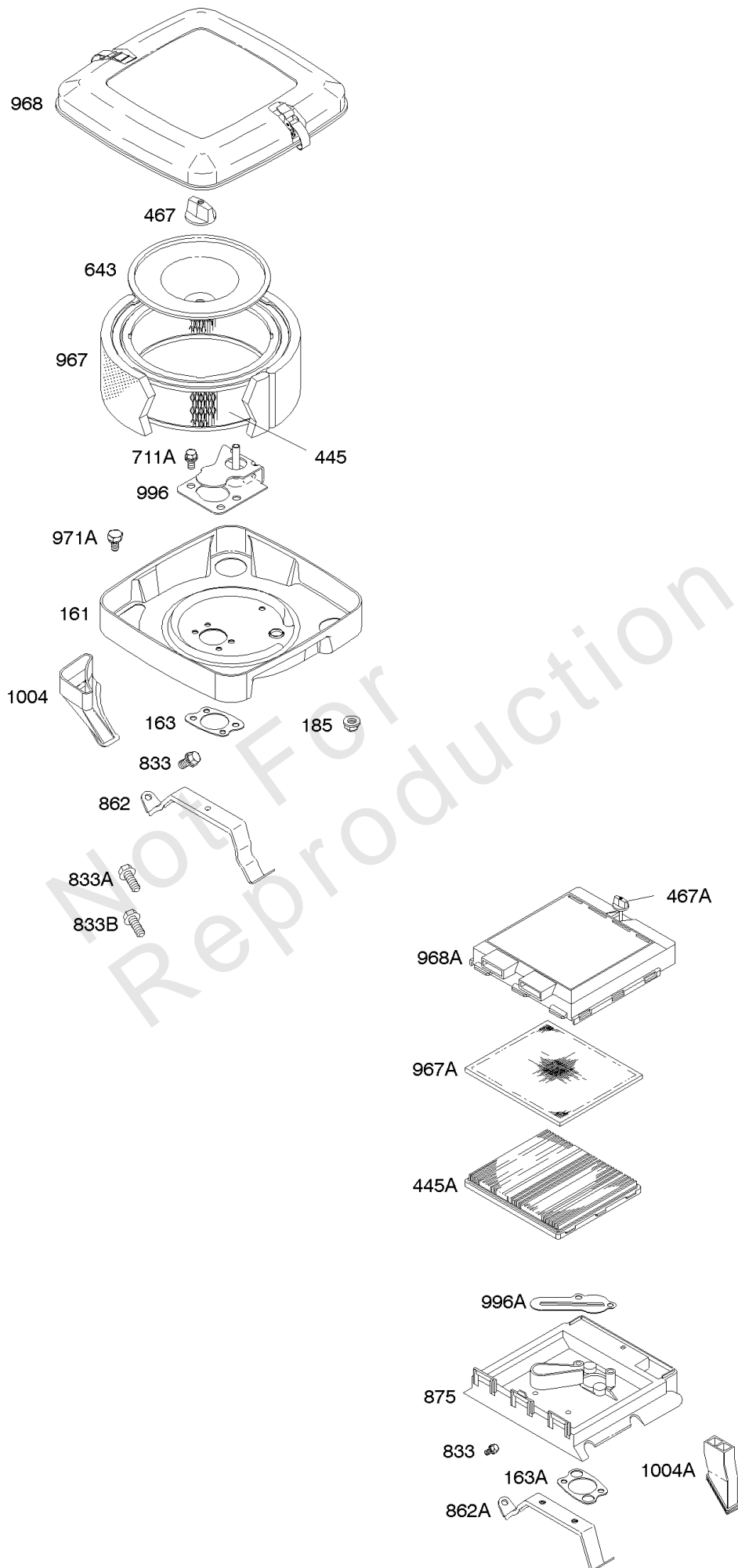


Parts Manual

Mfg. No: 303777-1032-A1

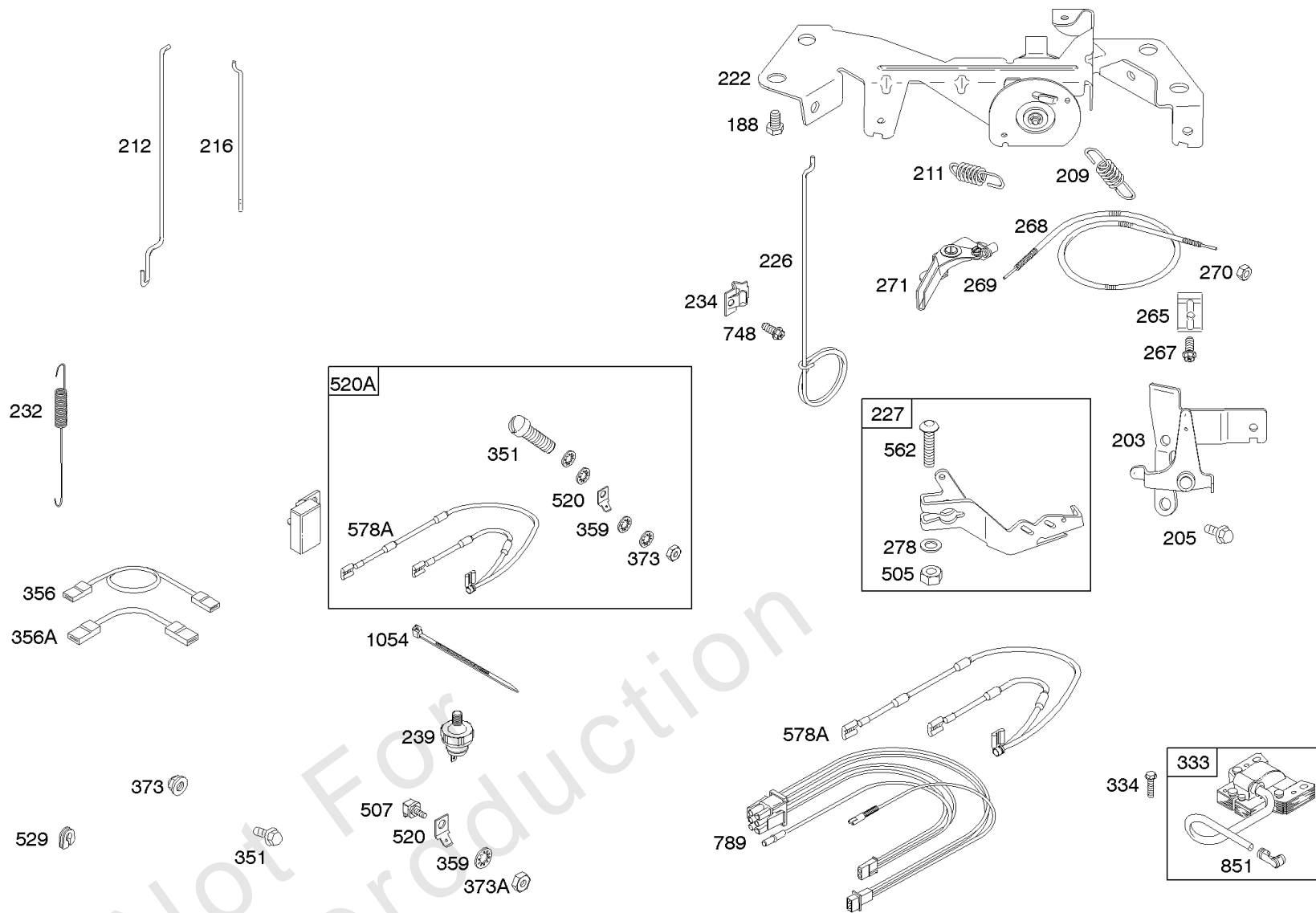
Model Components	Page
Air Cleaner.....	4
Alternator, Controls, Ignition.....	6
Blower Housing.....	10
Camshaft, Crankshaft, Intake Manifold.....	12
Carburetor, Fuel Supply, Kit - Carburetor Overhaul.....	14
Cylinder Head, Valves, Gasket Set - Valve.....	20
Electric Starter.....	24
Engine Sump, Cylinder, Gasket Set - Engine, Piston, Rings, Connecting Rod.....	28
Exhaust System.....	32
Flywheel.....	34
Lubrication.....	36
Replacement Engine.....	38
Rewind Starter.....	39
Shrouds.....	41

Not For
Reproduction





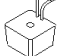
Air Cleaner



REF NO	PART NO	QTY	DESCRIPTION
161	691561		Base-Air Cleaner -(Metal)
163	692081		Gasket-Air Cleaner -(Used With Metal Air Cleaner Base)
163A	692052		Gasket-Air Cleaner -(Used With Plastic Air Cleaner Base)
185	690939		NUT -(Air Cleaner Base)
445	394018S		Filter-Air Cleaner Cartridge -(Round)
445A	805113		Filter-Air Cleaner Cartridge -(Rectangular)
467	691985		KNOB, Air Cleaner Cover
467A	690895		Knob-Air Cleaner Cover
643	692079		Retainer-Air Filter
711A	807084		SCREW -(Carburetor Shield)
833	690872		Screw -(Air Cleaner Mounting Strap/Stud) -Used After Code Date 97103100
833A	841233		SCREW -(Air Cleaner Mounting Strap/Stud)
833B	690699		Screw -(Air Cleaner Mounting Strap/Stud)
862	692542		Strap/Stud-Air Cleaner Mounting
862A	690896		Strap/Stud-Air Cleaner Mounting
875	690894		Base-Air Cleaner -(Plastic)
967	272490S		Filter-Pre Cleaner -(Round)
967A	805267S		Filter-Pre Cleaner -(Rectangular)
968	699959		Cover-Air Cleaner -(Used With Metal Air Cleaner Base)
968A	690694		Cover-Air Cleaner -(Used With Plastic Air Cleaner Base)
971A	690699		Screw -(Air Cleaner Base) (Remote Choke)
996	691577		Shield-Carburetor
996A	690696		Shield-Carburetor
1004	690743		Duct-Air -(Used With Metal Air Cleaner Base)
1004A	692538		Duct-Air -(Used With Plastic Air Cleaner Base)



DC ONLY		DUAL CIRCUIT		TRI CIRCUIT		5 - 9 AMP		10 - 16 AMP	
474A	1059	474B	1059	474C	1059	474C	1059	474D	1059
877A		877		877B		877B		877C	
578		878		878A		578		578	

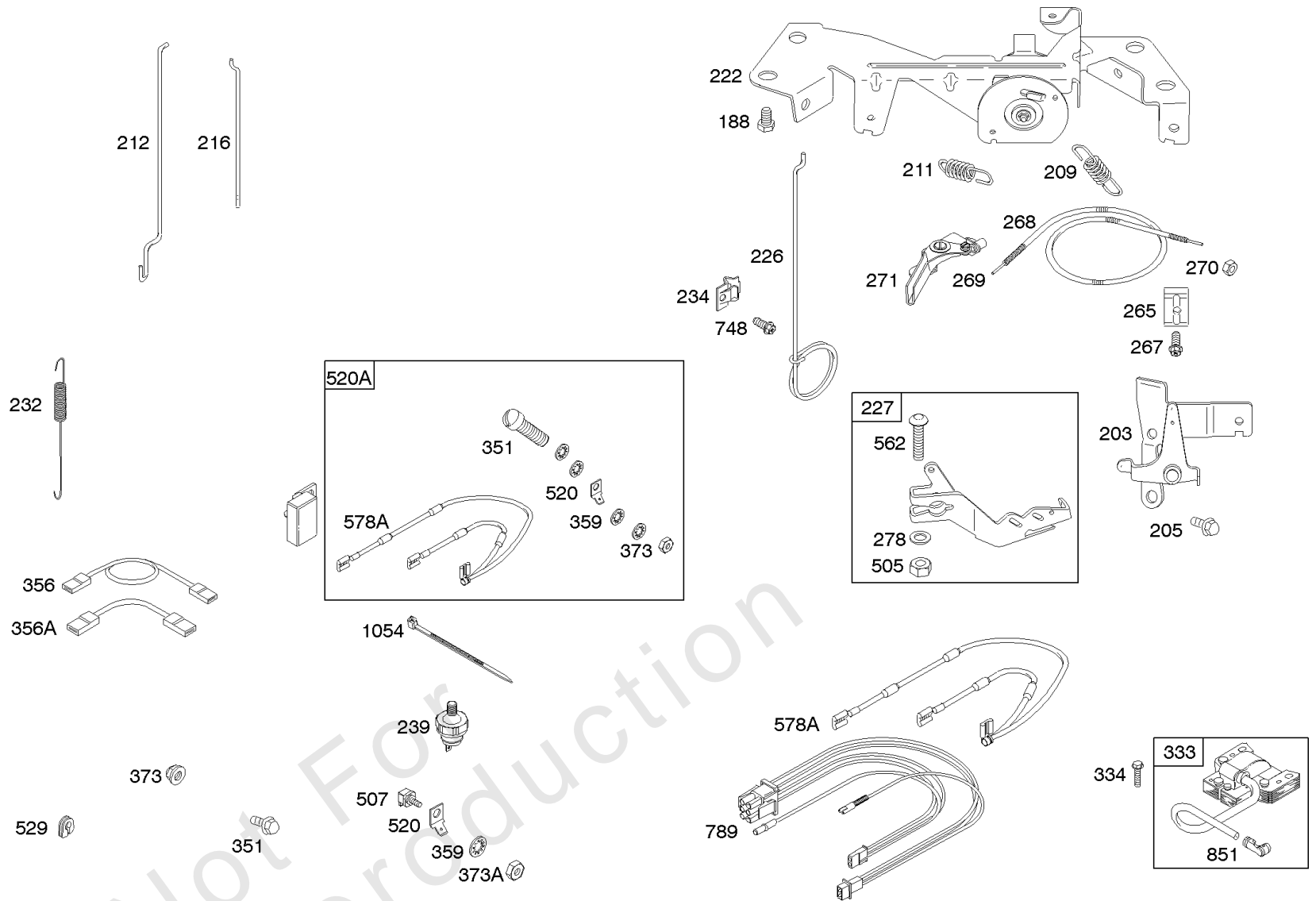
NOTE: All stators use a No. 1119 mounting screw. 


526A 
501A 

526 
501 

Alternator, Controls, Ignition

REF NO	PART NO	QTY	DESCRIPTION
188	692056		Screw -(Control Bracket)
203	690923		Crank-Bell
205	692083		Screw -(Bell Crank)
209	692071		Spring-Governor -(White)
211	692069		Spring-Governed Idle
212	690712		Link-Throttle
216	690705		Link-Choke
222	808454		Bracket-Control
226	692075		Rod-Choke
227	690236		Lever-Governor Control
232	692073		Spring-Governor Link
234	691723		Clip-Control Rod
239	690233		Switch-Oil Pressure -(Oil GARD)
265	691024		CLAMP, Casing
267	692083		Screw -(Casing Clamp)
268	691025		CASING, Control Wire -(Cut To Required Length)
269	691026		WIRE, Control -(Cut To Required Length)
270	691027		NUT -(Control Wire Casing)
271	691028		Lever-Control
278	842122		Washer -(Governor Control Lever)
333	492341		Armature-Magneto
334	692066		Screw -(Magneto Armature)
351	692083		Screw -(Ground Terminal)
356	807593		Wire-Stop -(Cylinder #2)
356A	807594		Wire-Stop -(Cylinder #1)
359	691077		Washer -(Ground Terminal)
373	691612		NUT -(Ground Terminal)
373A	690713		Nut -(Ground Terminal)
474A	696578		Alternator -(DC Only)
474C	696457		Alternator -(Tri Circuit)
474D	696458		Alternator -(Regulated)
501	493219		Regulator -(Double Connector Output)
501	691185		Regulator -(3 Wire)(16 Amp)
501A	794360		REGULATOR
505	690238		Nut -(Governor Control Lever)
507	691972		Insulator

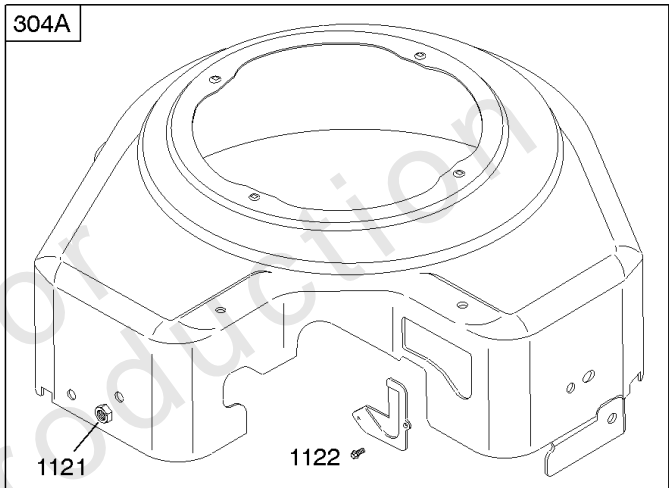


DC ONLY		DUAL CIRCUIT		TRI CIRCUIT		5 - 9 AMP		10 - 16 AMP	
474A	1059	474B	1059	474C	1059	474C	1059	474D	1059
877A	1059	877	1059	877B	1059	877B	1059	877C	1059
578		878		878A		578		578	
<p>NOTE: All stators use a No. 1119 mounting screw. </p>						526A		526	
						501A		501	

Alternator, Controls, Ignition

REF NO	PART NO	QTY	DESCRIPTION
520	691084		Terminal-Ground -(Brass)
520A	809077		Terminal-Ground -(Ignition Shutoff)
526	692067		SCREW -(Regulator) -Used Before Code Date 90021000
526A	690717		Screw -(Regulator) (5 To 9 Amp Regulated) -Used After Code Date 90021100
526A	810084		Screw -(Regulator) -Used Before Code Date 90021000
529	690744		Grommet
562	690239		Bolt -(Governor Control Lever)
578	692306		WIRE ASSEMBLY
578A	692319		Wire Assembly -(With Diodes)
748	692083		Screw -(Control Rod Clip)
851	493880S		TERMINAL, Spark Plug
877	393537		Wire/Connector-Alternator -(Tri Circuit)
877A	393814		Wire/Connector-Alternator -(DC Only)
877B	399916		Wire/Connector-Alternator
877C	393456		WIRE/CONNECTOR, Alternator -(Dual Circuit)
878	691955		Harness-Alternator
878A	398661		Harness-Alternator
1054	280275		Tie-Cable
1059	698516		KIT, Screw/Washer
1119	691552		SCREW -(Alternator)

1036 EMISSIONS LABEL



- 729 
- 729B 
- 729A 

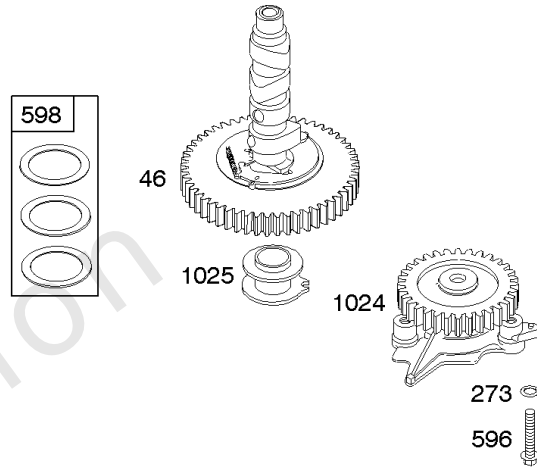
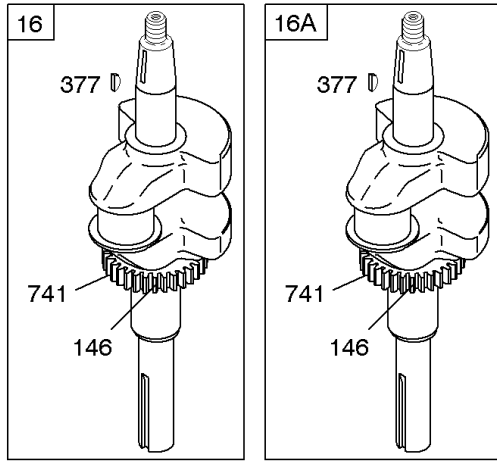


- 305 
- 305A 
- 305B 

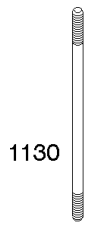
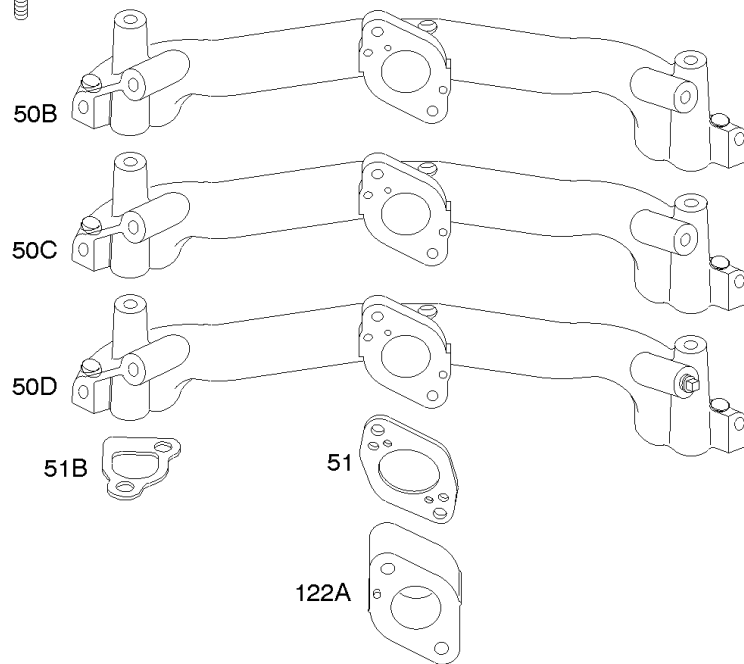
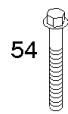
Blower Housing

REF NO	PART NO	QTY	DESCRIPTION
304A	808055		Housing-Blower -(Red)
304A	808408		Housing-Blower -(Black)
305	692056		Screw -(Blower Housing)
305A	692062		Screw -(Blower Housing)
305B	841233		SCREW -(Blower Housing)
729	805827		Clip-Wire -(Black)(Spring Steel)
729A	805965		Clip-Wire -(Black)(Vinyl Covered Zinc)
729B	690586		Clip-Wire -(Snap In)(Nylon)
739	690451		Clip-Debris
1036	-----		Label-Emissions -(Available From A Briggs & Stratton Authorized Dealer)
1121	810056		Nut -(Fuel Pump Bracket)
1122	93410		Screw -(Blower Housing Adapter)

Not For
Reproduction

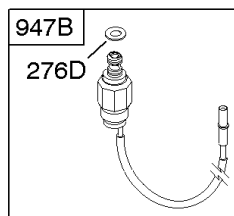
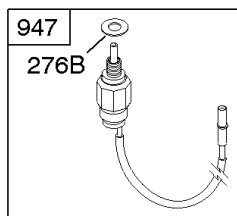
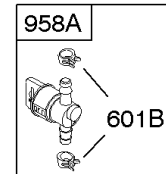
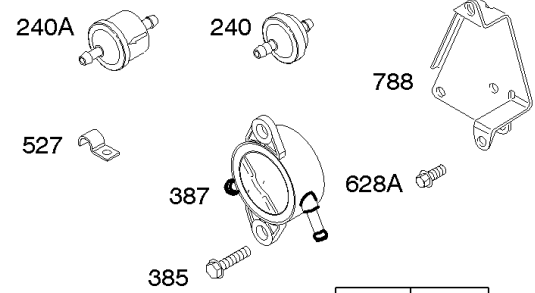
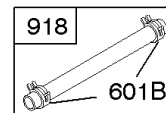
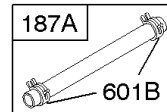
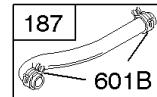
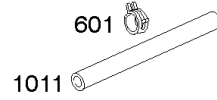
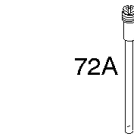
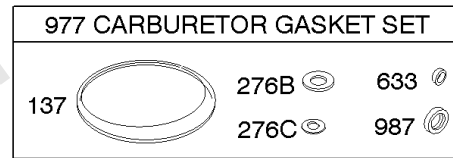
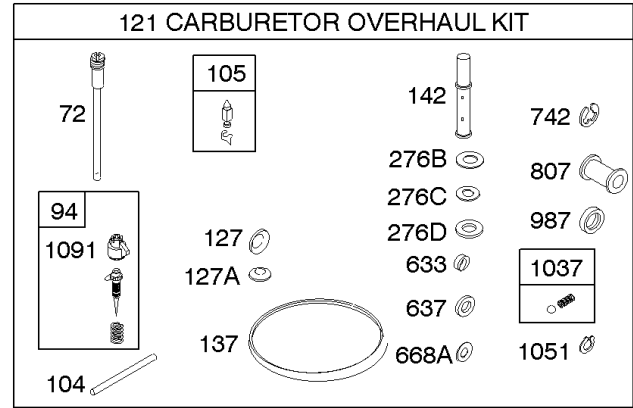
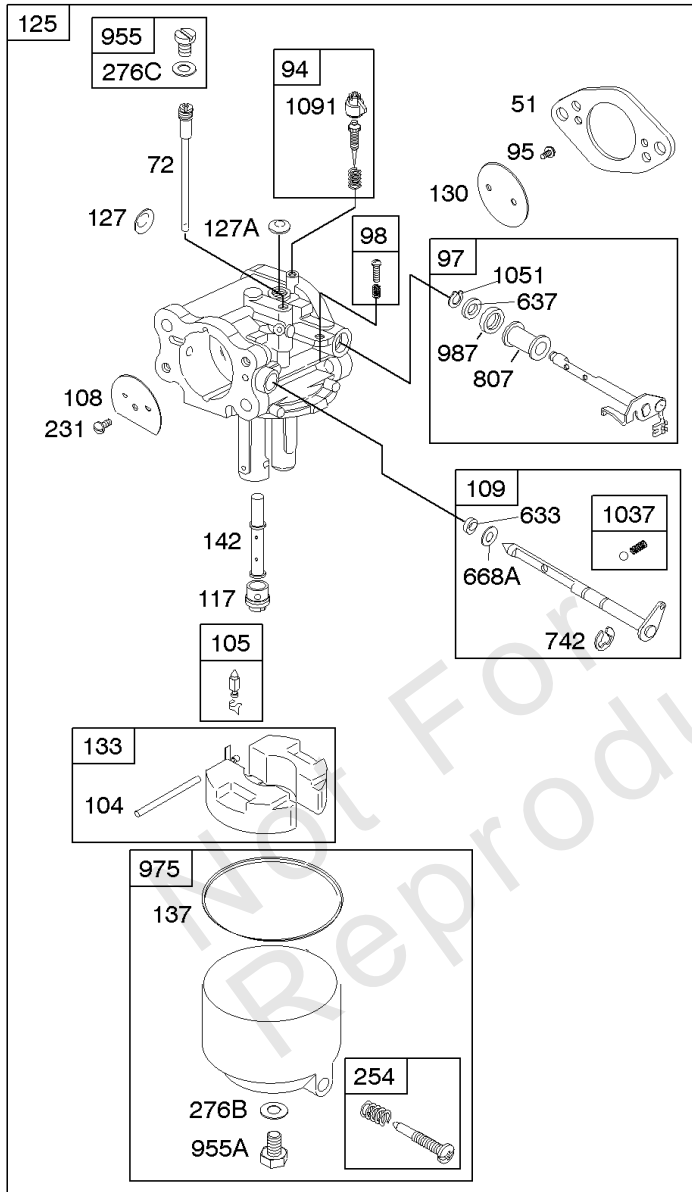


Not For
Reproduction



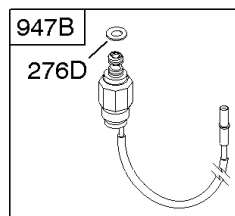
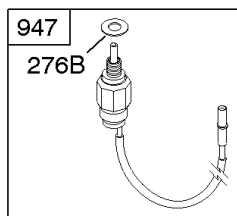
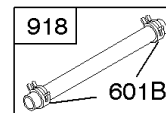
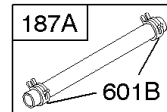
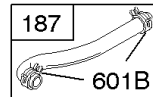
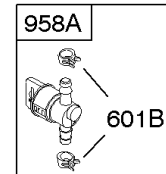
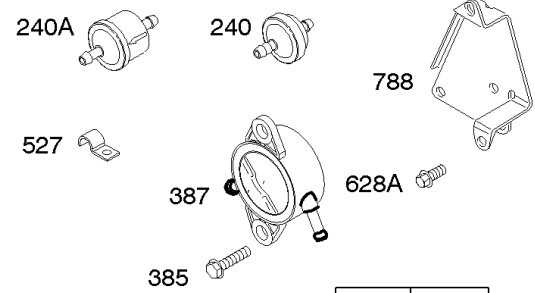
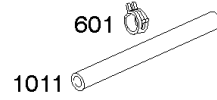
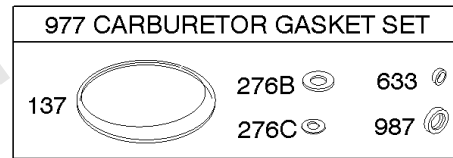
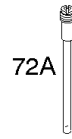
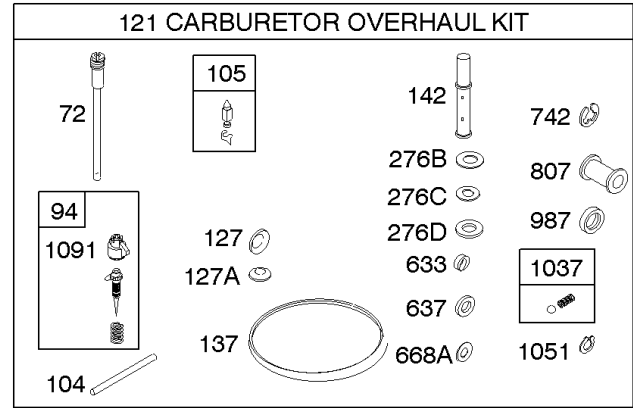
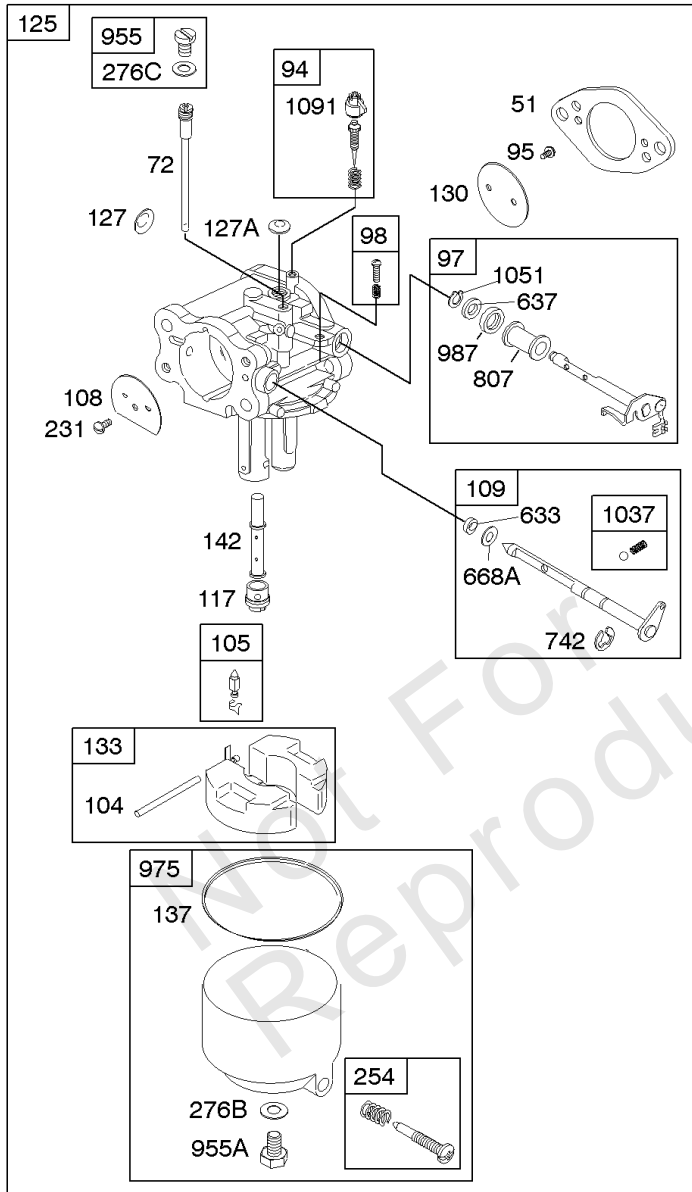
Camshaft, Crankshaft, Intake Manifold

REF NO	PART NO	QTY	DESCRIPTION
16	807586		Crankshaft -Used Before Code Date 97050100
16	692159		Crankshaft -Used After Code Date 97043000
46	691557		Camshaft
50B	690754		Manifold-Intake
51	691694		Gasket-Intake -(Manifold/Carburetor Spacer)
51B	692035		Gasket-Intake -(Manifold/Heads)
54	690676		Screw -(Intake Manifold)
122A	690692		Spacer-Carburetor -Used Before Code Date 92061700
122A	690753		Spacer-Carburetor -Used After Code Date 92061600
146	691639		KEY, Woodruff
273	690681		Seal-O Ring -(Oil Pump)
357	691483		KEY, Drive Pulley
377	808095		Key-Woodruff
596	691492		SCREW -(Oil Pump)
598	807625		Shim-End Play -(Crankshaft or Camshaft Bearing)
741	691530		Gear-Timing
1024	843954		Pump-Oil
1025	690689		Spool-Governor
1130	690746		Stud -(Intake Manifold)



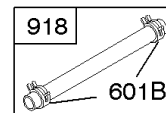
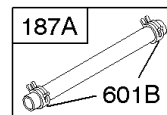
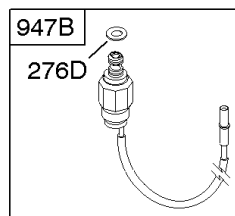
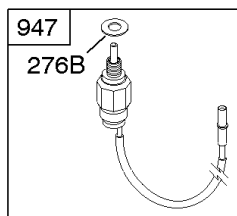
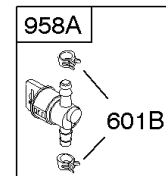
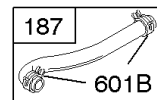
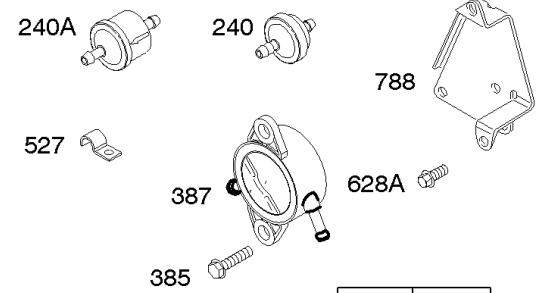
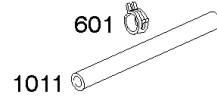
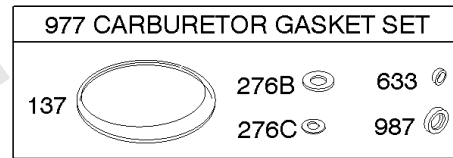
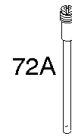
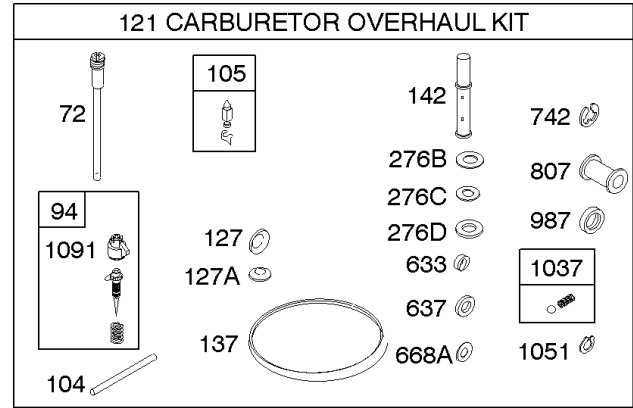
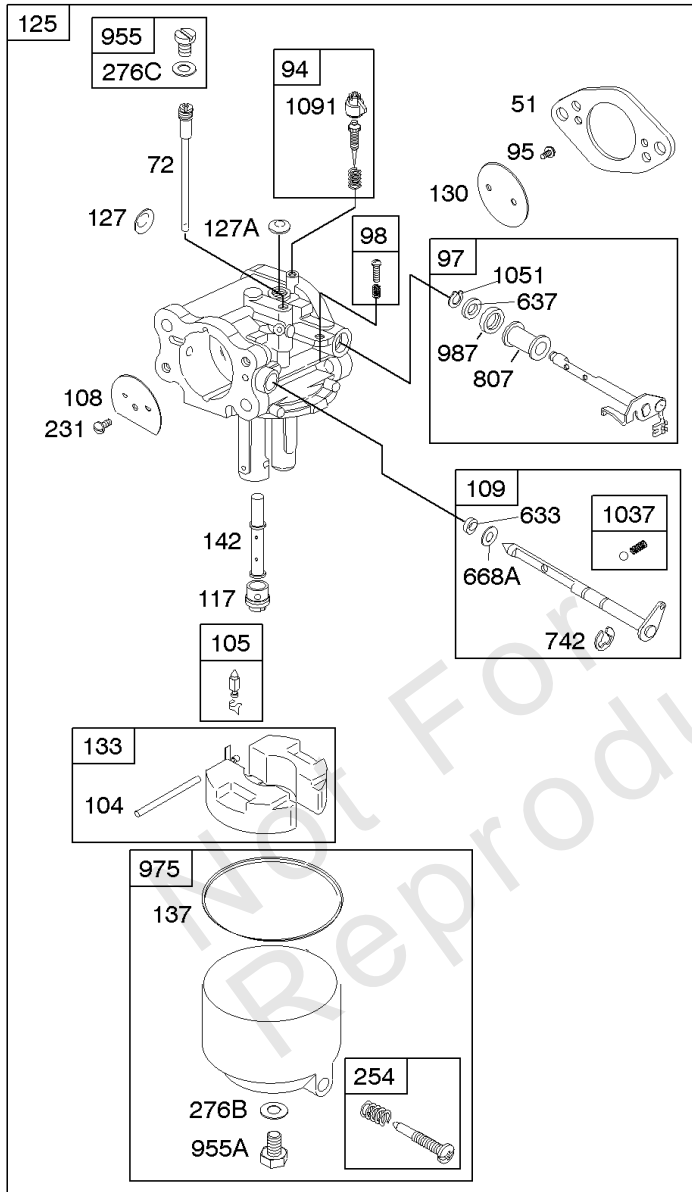
Carburetor, Fuel Supply, Kit - Carburetor Overhaul

REF NO	PART NO	QTY	DESCRIPTION
51	691694		Gasket-Intake -(Manifold/Carburetor Spacer)
72	806480		Tube-Jet -Used Before Code Date 92040700
72	690755		Tube-Jet -Used After Code Date 92040600 -Used Before Code Date 98062700
72	806488		Tube-Jet -Used After Code Date 98062600
72A	694069		Tube-Jet -(High Altitude) -Used After Code Date 98062600
94	808258		Kit-Idle Mixture -Used After Code Date 95092700
94	807707		Kit-Idle Mixture -Used Before Code Date 95092800
95	690728		Screw -(Throttle Valve)
97	808323		Shaft-Throttle
98	807705		Kit-Idle Speed
104	690739		Pin-Float Hinge
105	807706		Valve-Float Needle
108	690729		Valve-Choke
109	807711		Shaft-Choke
117	806487		Jet-Main -(Standard) -Used After Code Date 98062600
118	806634		Jet-Main -(High Altitude) -Used After Code Date 98062600
121	842890		Kit-Carb Overhaul -Used After Code Date 92040600 -Used Before Code Date 94102800
121	842891		Kit-Carb Overhaul -Used After Code Date 98062600
121	807708		Kit-Carb Overhaul -Used Before Code Date 92040700
121	807962		Kit-Carb Overhaul -Used After Code Date 94102700 -Used Before Code Date 98062700
125	808728		Carburetor -Used After Code Date 92040600
125	807639		Carburetor -Used Before Code Date 92040700
127	690731		Plug-Welch -(6.9mm Diameter)
127A	690730		Plug-Welch -(9mm Diameter)
130	690732		Valve-Throttle
133	807710		Float-Carburetor
137	806481		Gasket-Float Bowl
142	806635		Nozzle-Carburetor -(Standard) -Used After Code Date 98062600
142	807712		Nozzle-Carburetor -(Standard) (Includes Standard Main Jet) -Used Before Code Date 94102800
142	807960		Nozzle-Carburetor -(Standard) (Includes Standard Main Jet) -Used After Code Date 94102700 -Used Before Code Date 98062700



Carburetor, Fuel Supply, Kit - Carburetor Overhaul

REF NO	PART NO	QTY	DESCRIPTION
187	791745		KIT-FUEL, Hose (Cut To Fit)
187A	791766		LINE, Fuel -(Cut To Required Length)
231	690728		Screw -(Choke Valve)
240	394358S		FILTER, Fuel -(White, 75 Microns)
240A	691035		FILTER, Fuel -(Includes Paper Element With A 40 Micron Rating)
254	807713		Drain-Carburetor Bowl
276B	806476		Washer-Sealing -(Float Bowl)
276D	692343		Washer-Sealing -(Float Bowl)
276C	806477		Washer-Sealing -(Carburetor Plug)
365A	690695		Screw -(Carburetor)
385	807084		SCREW -(Fuel Pump)
387	808656		PUMP, Fuel
527	690423		CLAMP, Tube
601	691638		Clamp-Hose -(Silver)
601B	691038		CLAMP, Hose -(Black)
601B	791850		CLAMP, Hose -(Silver)
628A	692062		Screw -(Fuel Pump Bracket)
633	690738		Seal-Choke/Thr Shaft
637	690735		Washer -(Throttle Shaft)
668A	691500		SPACER -(Knurled Insert)
729	805827		Clip-Wire -(Black)(Spring Steel)
742	805578		Retainer-E Ring
788	691559		Bracket-Fuel Pump
807	690733		Spacer-Throttle
918	791880		Hose-Vacuum -(Cut To Required Length)
947	806472		Solenoid-Fuel -Used After Code Date 98062600
947B	807744		Solenoid-Fuel -Used Before Code Date 98062700
955	807714		Plug-Carburetor
955A	691511		Plug-Carburetor
958A	698183		VALVE, Fuel Shut Off -(Plastic)
975	807715		Bowl-Float
977	807716		Gasket Set-Carburetor -Used Before Code Date 92040700
977	808325		Gasket Set-Carburetor -Used After Code Date 92040600
987	690734		Seal-Throttle Shaft -Used Before Code Date 92040700
987	691548		Seal-Throttle Shaft -Used After Code Date 92040600

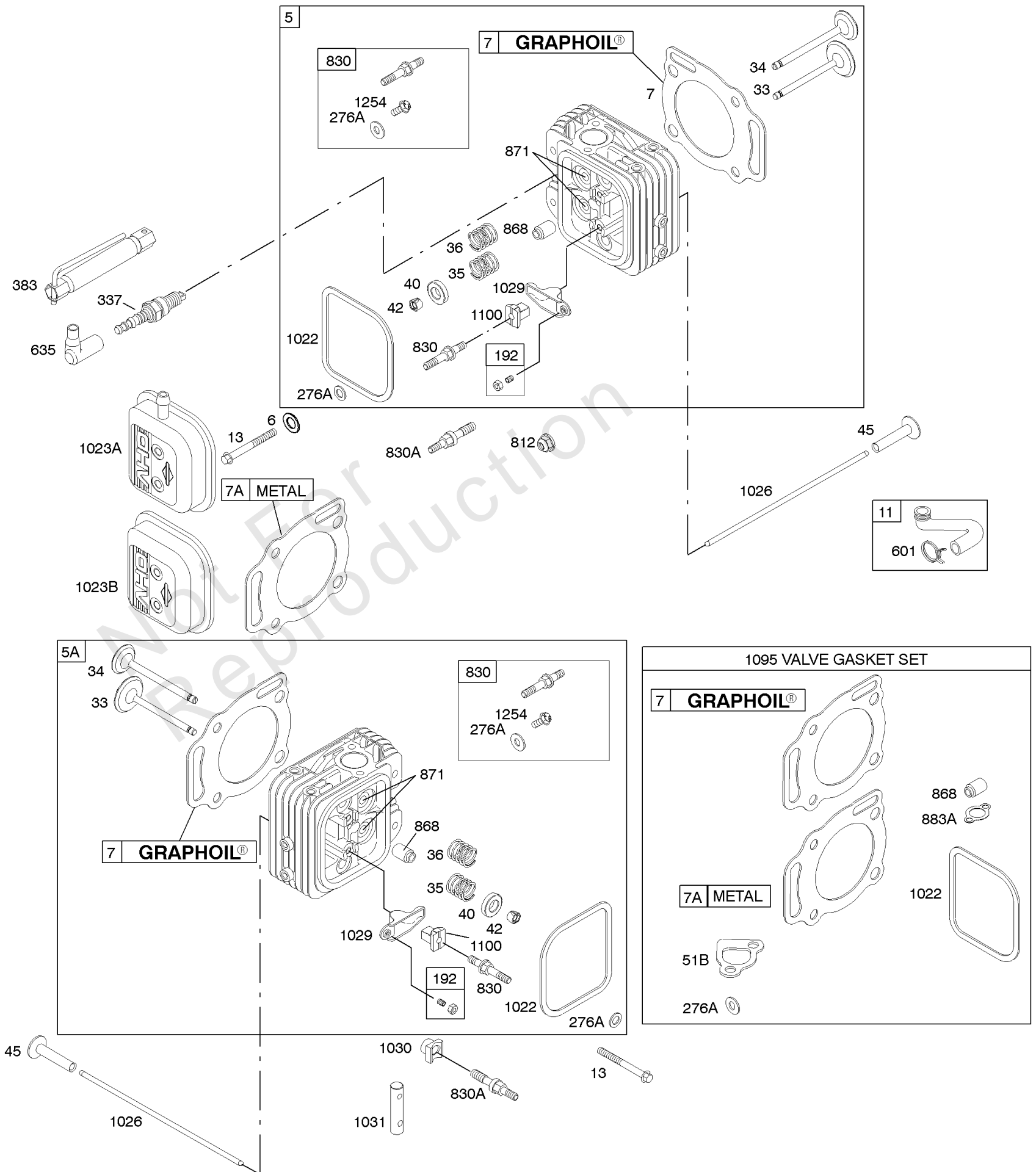


Carburetor, Fuel Supply, Kit - Carburetor Overhaul

REF NO	PART NO	QTY	DESCRIPTION
1011	692929		Tube-Vent -(Cut To Required Length)
1037	807717		Ball-Choke Locator
1051	690736		Ring-Retaining
1091	691515		Cap-Limiter

Not For
Reproduction

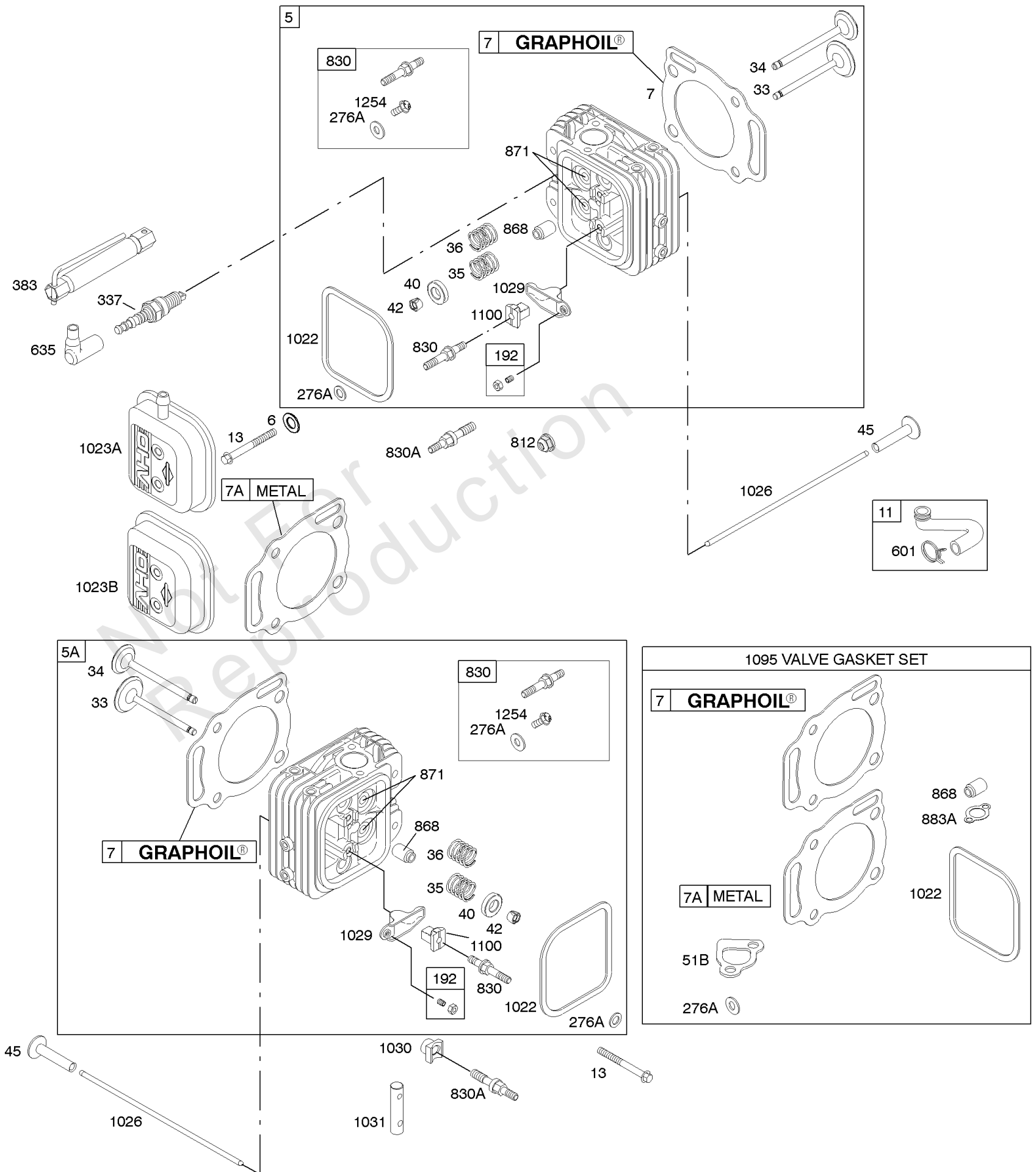
437 



Cylinder Head, Valves, Gasket Set - Valve

REF NO	PART NO	QTY	DESCRIPTION
5	809200		Head-Cylinder -(Cylinder #1)
5A	809201		Head-Cylinder -(Cylinder #2)
6	805193		Washer -(Cylinder Head) -Used Before Code Date 94050100
7	806085S		Gasket-Cylinder Head -(Graphoil) -Used After Code Date 96033100
7A	807986		Gasket-Cylinder Head -(Metal) -Used Before Code Date 96040100
11	806083S		Tube-Breather
13	692059		Screw -(Cylinder Head) (86mm Long)
33	807681		Valve-Exhaust
34	807680		Valve-Intake
35	692084		Spring-Valve -(Intake)
36	692084		Spring-Valve -(Exhaust)
40	692058		Retainer-Valve
42	807683		RETAINER, Valve
45	690977		TAPPET, Valve
51B	692035		Gasket-Intake -(Manifold/Heads)
192	807623		Adjuster-Rocker Arm
276A	691766		Washer-Sealing -(Rocker Cover) -Used Before Code Date 01120300
276A	807085		Washer-Sealing -(Rocker Cover) -Used After Code Date 01120200
337	491055S		PLUG, Spark
383	19374S		Wrench-Spark Plug
437	691902		Screw -(Exhaust Manifold)
601	691638		Clamp-Hose -(Silver)
635	692076		BOOT, Spark Plug
812	692055		Nut -(Rocker Cover) -Used Before Code Date 01120300
830	809157		Stud-Rocker Arm -Used After Code Date 96033100
830A	691497		Stud-Rocker Arm -Used Before Code Date 96040100
868	691963		SEAL, Valve
871	692057		Bushing-Valve Guide
883A	691613		GASKET, Exhaust
1022	806039S		Gasket-Rocker Cover
1023A	691558		Cover-Rocker -(Cylinder #1) (With Fuel Pump)
1023B	691494		Cover-Rocker
1026	691836		Rod-Push -(Intake)(Steel)
1026	691758		Rod-Push -(Exhaust)(Aluminum)

437 

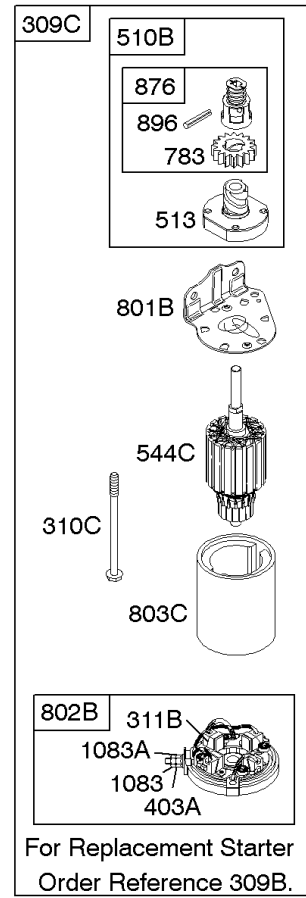
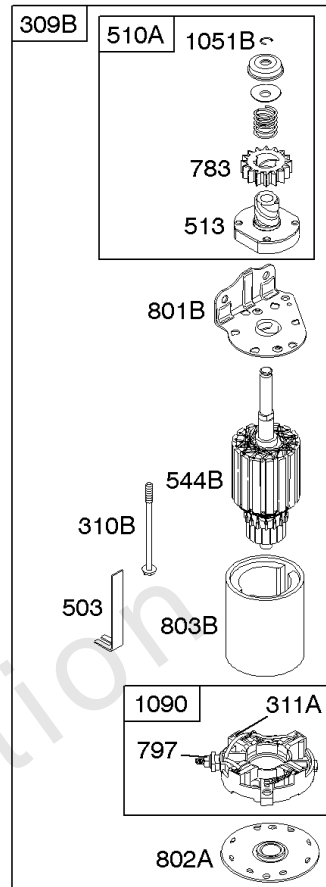
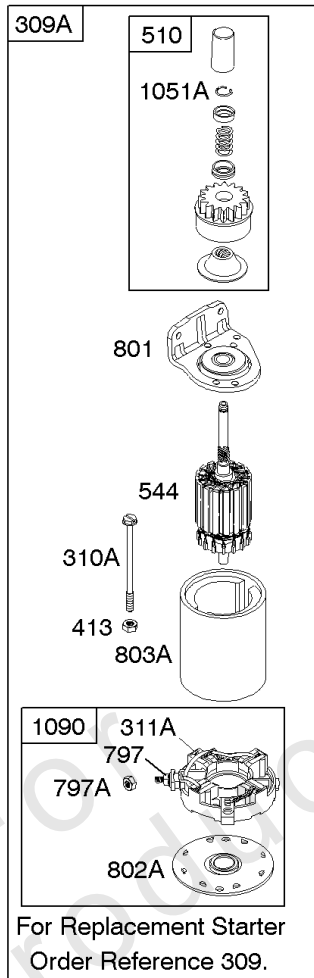
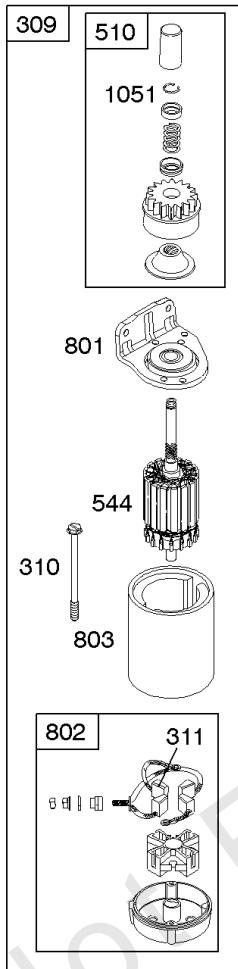


Cylinder Head, Valves, Gasket Set - Valve

REF NO	PART NO	QTY	DESCRIPTION
1029	807323		ARM, Rocker
1030	691496		Support-Rocker Arm
1031	690693		Shaft-Rocker Arm
1095	808392		Gasket Set-Valve -Used Before Code Date 01120300
1095	842723		Gasket Set-Valve -Used After Code Date 01120200
1100	791959		PIVOT, Rocker Arm
1254	807084		SCREW -(Rocker Arm Stud) (Used on Stud For Rocker Cover) -Used After Code Date 01120200

Not For
Reproduction

697 

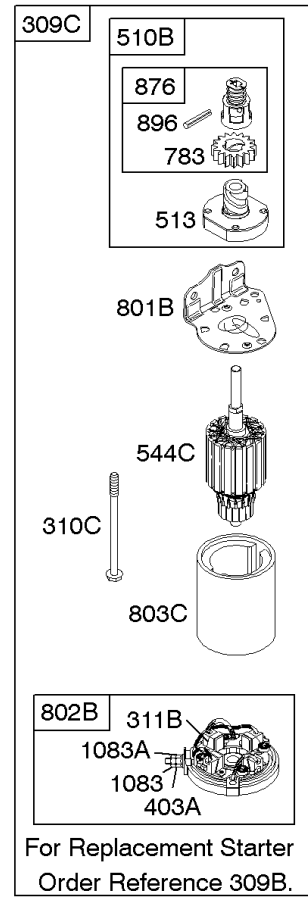
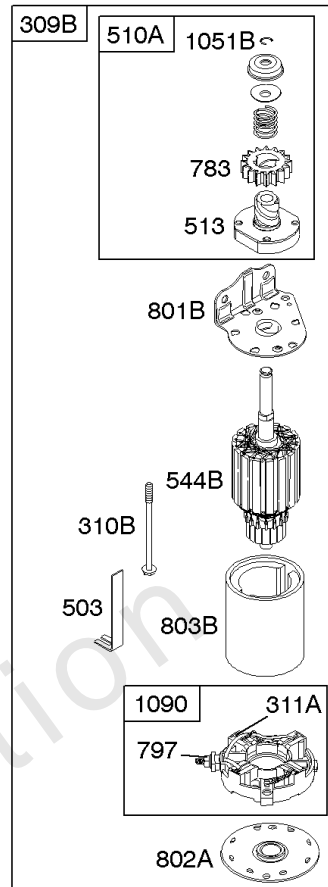
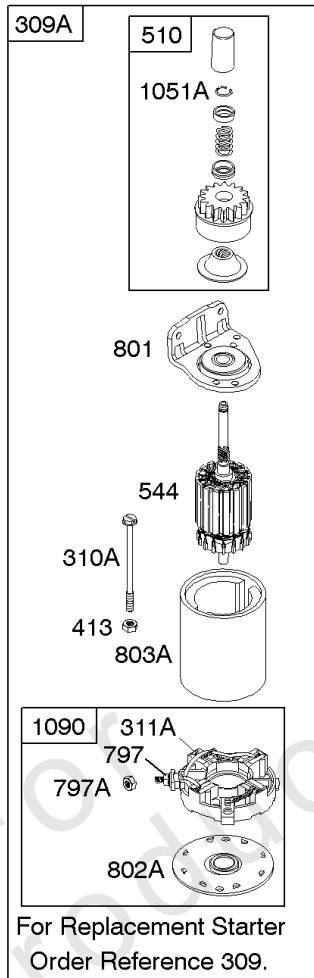
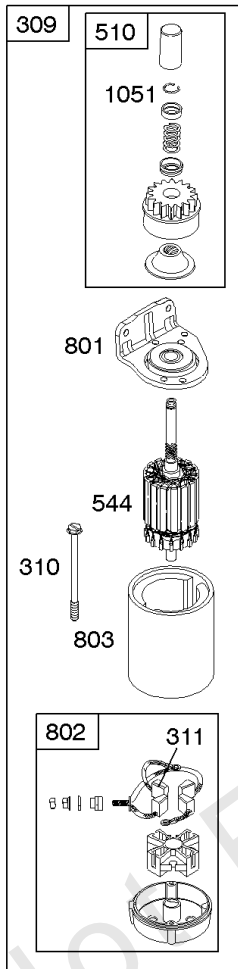


Not for Reproduction

Electric Starter

REF NO	PART NO	QTY	DESCRIPTION
309	691564		Motor-Starter -(Steel Ring Gear Only)
309A	-----		Motor-Starter -(Services Steel Ring Gear Only)(For Replacement Starter Motor, See Reference 309)
309B	499521		Motor-Starter
309C	BLANK		Motor-Starter -(For Replacement Starter Motor, Order Reference 309B)
310	496880		Screw -(Starter Motor)
310A	690323		BOLT -(Starter Motor)
310C	691263		Screw -(Starter Motor) (5-3/8" Long)
311	496887		Brush Set
311A	497608		Brush Set
311B	490311		Brush Set -(4 9/16" Housing Length)
403A	690288		Washer -(End Cap)
413	693587		Nut -(Starter Motor)
503	691532		STRAP, Starter
510	496881		Drive-Starter
510A	696541		Drive-Starter
510B	696540		Drive-Starter
513	692024		CLUTCH, Drive
544	BLANK		Armature-Starter -(Service With 691564 Starter Motor Only)
544B	-----		Armature-Starter -(Serviced By 499521 Starter Motor Only)
544C	490309		Armature-Starter
697	692062		Screw -(Drive Cap)
783	695708		Gear-Pinion -(Services Aluminum Ring Gear Only)
797	693167		NUT -(Brush Retainer)
797A	691029		NUT -(Brush Retainer)
801	808778		Cap-Drive
801B	691283		CAP, Drive
802	496813		Cap-End
802A	691286		CAP, End
802B	-----		Cap-End -(Serviced By 499521 Starter Motor Only)
803	690854		Housing-Starter
803A	693547		Housing-Starter
803B	-----		Housing-Starter -(Serviced By 499521 Starter Motor Only)
803C	398892		Housing-Starter -(4 9/16" Housing Length)
803C	494205		Housing-Starter -(4 3/8" Housing Length)
876	696539		Kit-Pinion Spring
896	691641		Pin-Drive Retainer
1051	690736		Ring-Retaining

697 



Not for Reproduction

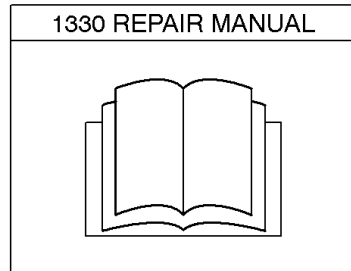
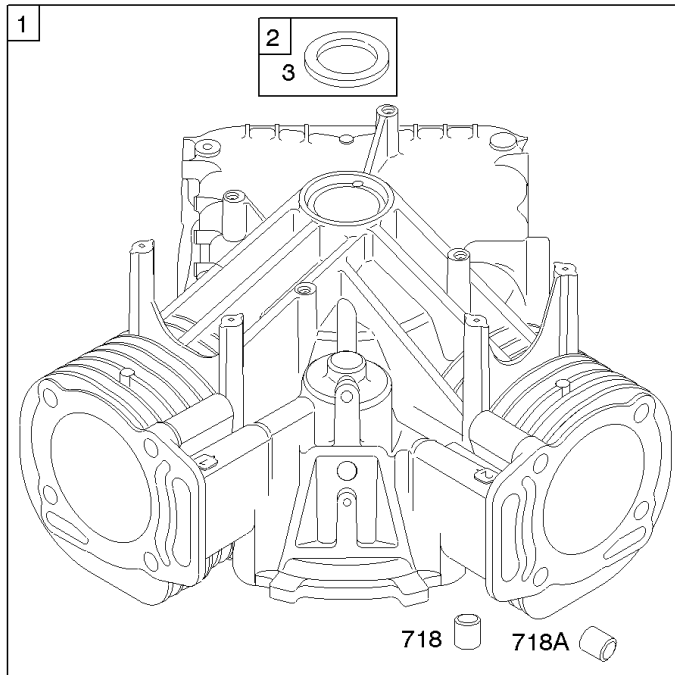
Electric Starter

REF NO	PART NO	QTY	DESCRIPTION
1051A	691124		Ring-Retaining -(Starter Pinion)
1051B	691265		RING, Retaining
1083	691626		Nut -(End Cap)
1083A	690958		NUT -(End Cap)
1090	691293		RETAINER, Brush

Not For
Reproduction

Engine Sump, Cylinder, Gasket Set - Engine, Piston, Rings, Connecting Rod

Mfg. No: 303777-1032-A1

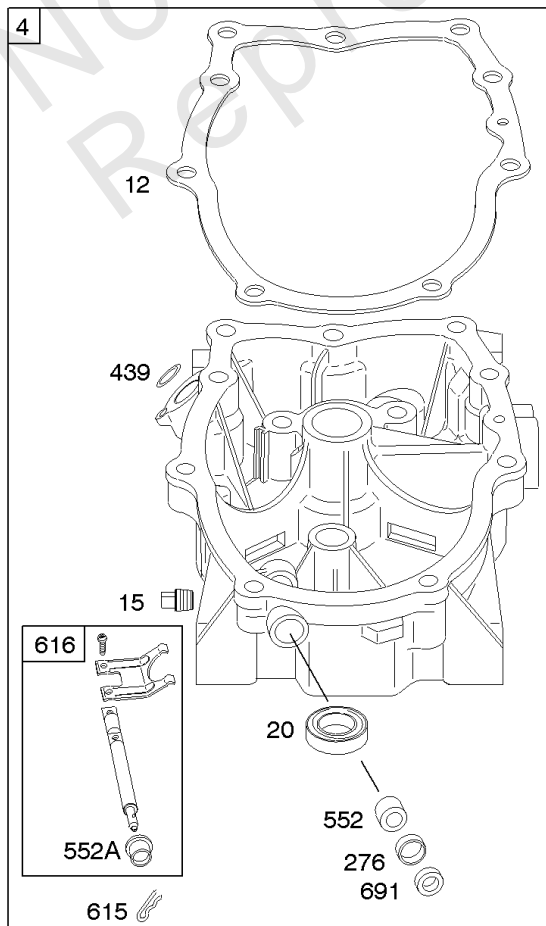
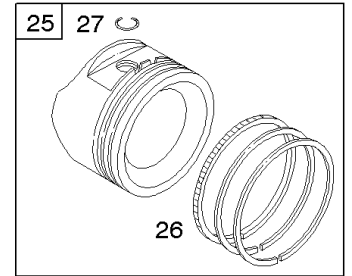
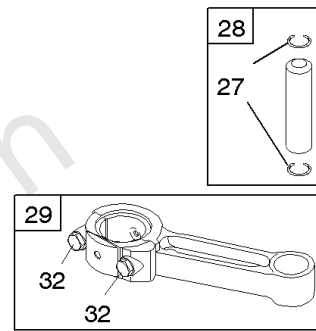
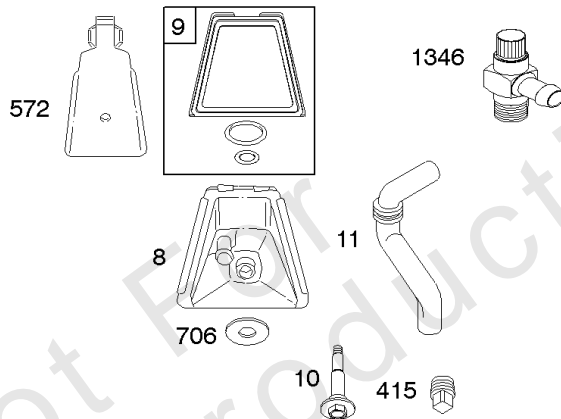


1319 WARNING LABEL

WARNING

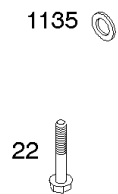
- Read and follow Operating Instructions before running engine.
- Gasoline is flammable. Allow engine to cool at least 2 minutes before refueling.
- Engines emit carbon monoxide, DO NOT run in enclosed area.
- Muffler area temperature may exceed 150°F. Do not touch hot parts.

REQUIRED when replacing parts with warning labels affixed.



358 ENGINE GASKET SET

- 3
- 7 **GRAPHOIL®**
- 7A **METAL**
- 9
- 12
- 20
- 51B
- 163
- 273
- 276A
- 439
- 524
- 691
- 842
- 868
- 883A
- 988
- 988A
- 1022

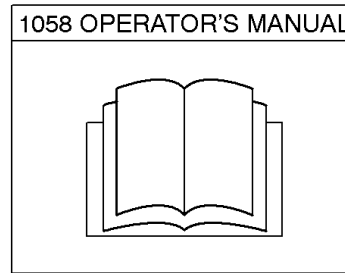
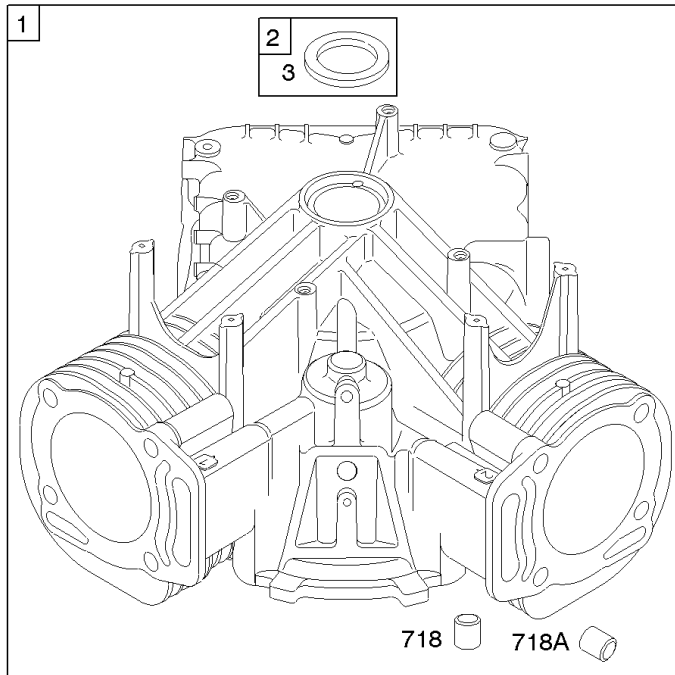


Engine Sump, Cylinder, Gasket Set - Engine, Piston, Rings, Connecting Rod

REF NO	PART NO	QTY	DESCRIPTION
1	692543		Cylinder Assembly -Used After Code Date 97043000
1	807511		Cylinder Assembly -Used Before Code Date 97050100
2	807687		Kit-Bushing/Seal -(Magneto Side) -Used Before Code Date 97050100
2	808534		Kit-Bushing/Seal -(Magneto Side) -Used After Code Date 97043000
3	805101S		Seal-Oil -(Magneto Side)
4	843954		Sump-Engine -(With Oil Pump)
7	806085S		Gasket-Cylinder Head -(Graphoil) -Used After Code Date 96033100
7A	807986		Gasket-Cylinder Head -(Metal) -Used Before Code Date 96040100
8	808988		Breather Assembly
9	809094		Gasket-Breather
10	805194		Screw-Hex. -(Breather Assembly) -Used Before Code Date 90111500
10	690751		Screw -(Breather Assembly) -Used After Code Date 90111400
11	806083S		Tube-Breather
12	846487		GASKET, Crankcase
15	690946		PLUG, Oil Drain
20	805049S		Seal-Oil -(PTO Side)
22	807362		SCREW -(Crankcase Cover/Sump)
25	843958		Piston Assembly-STD -(.020 Oversize)
25	807619		Piston Assembly (Standard) -(Standard)
26	807620		Ring Set (Standard) -(Standard)
26	807810		Ring Set-020 -(.020 Oversize)
27	690683		Lock-Piston Pin
28	807621		Pin-Piston (STD)
29	807900S		Rod-Connecting -(Standard)
29	807803		Rod-Connecting (.020 Undersize) -(.020" Undersize)
32	690698		Screw -(Connecting Rod)
51B	692035		Gasket-Intake -(Manifold/Heads)
163	692081		Gasket-Air Cleaner -(Used With Metal Air Cleaner Base)
273	690681		Seal-O Ring -(Oil Pump)
276	690704		Washer-Sealing -(Crankcase Cover/Sump)
276A	807085		Washer-Sealing -(Rocker Cover) -Used After Code Date 01120200

Engine Sump, Cylinder, Gasket Set - Engine, Piston, Rings, Connecting Rod

Mfg. No: 303777-1032-A1

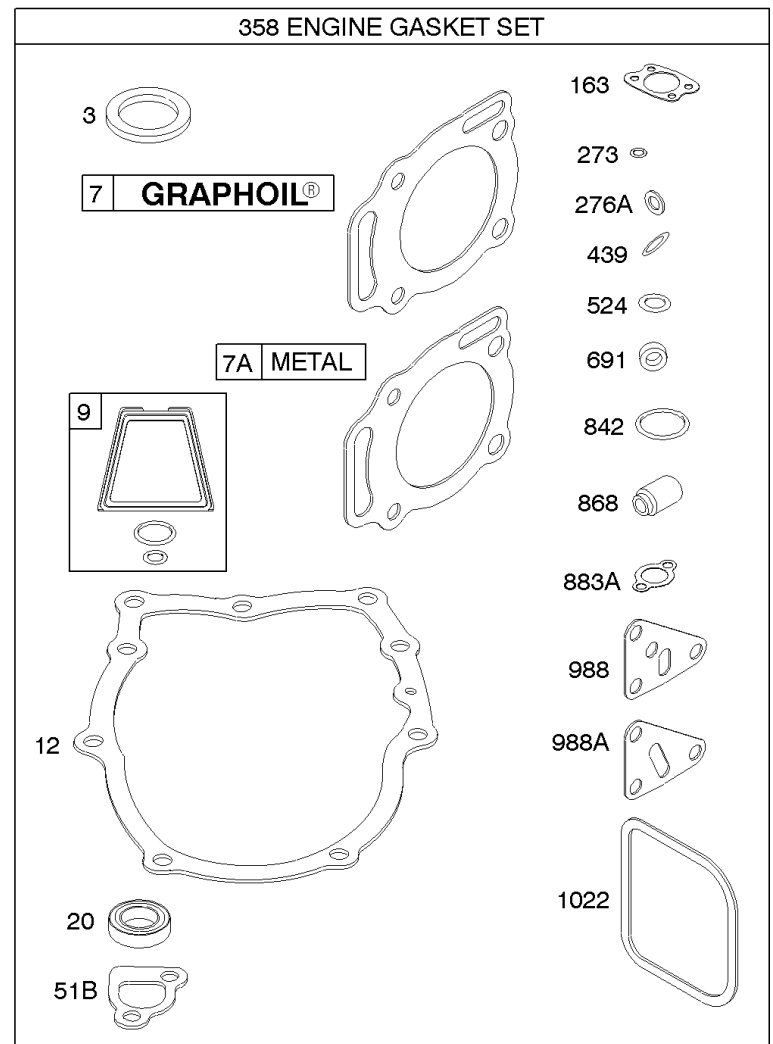
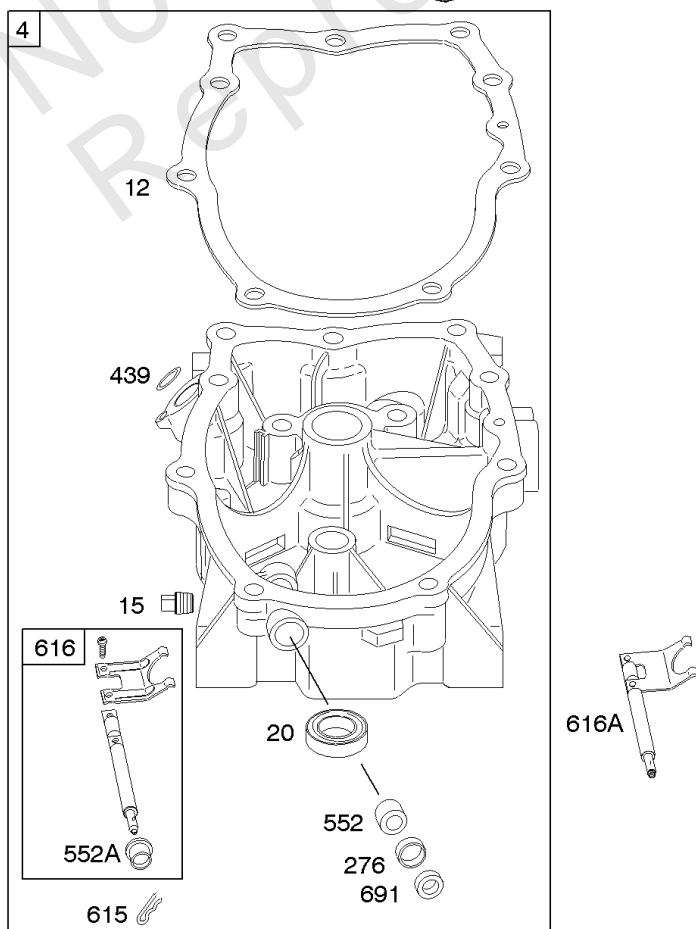
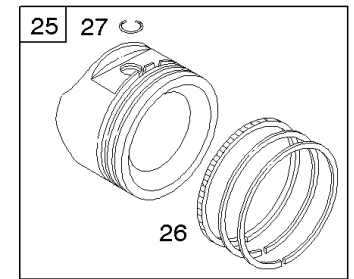
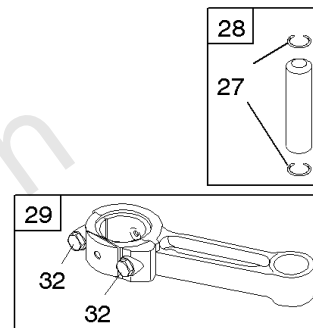
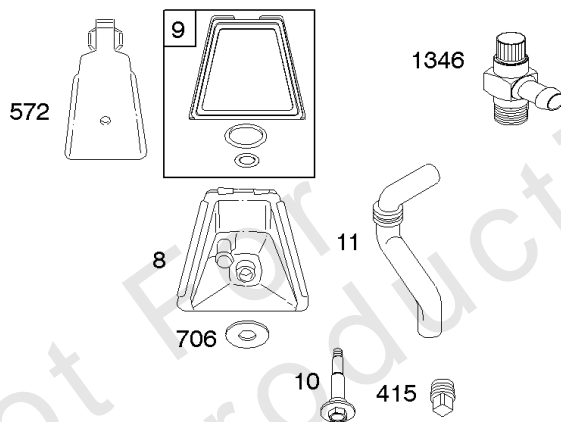


1319 WARNING LABEL

WARNING

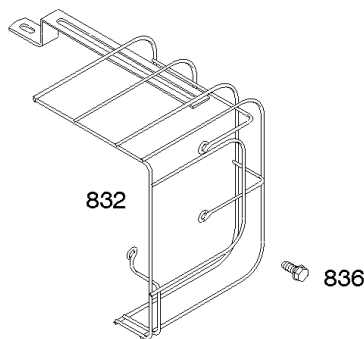
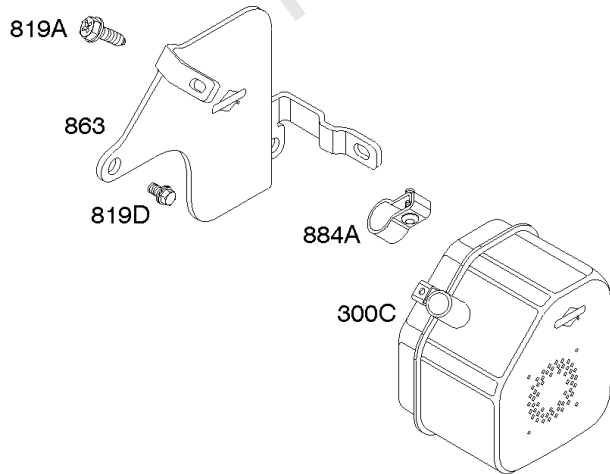
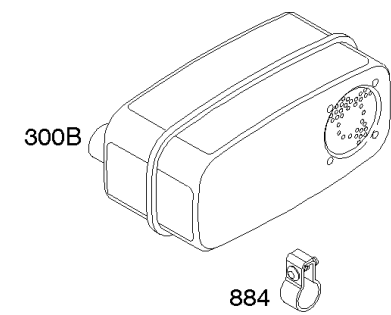
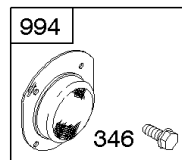
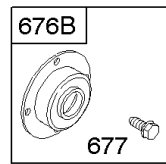
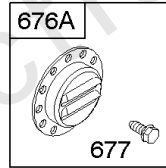
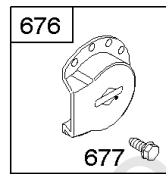
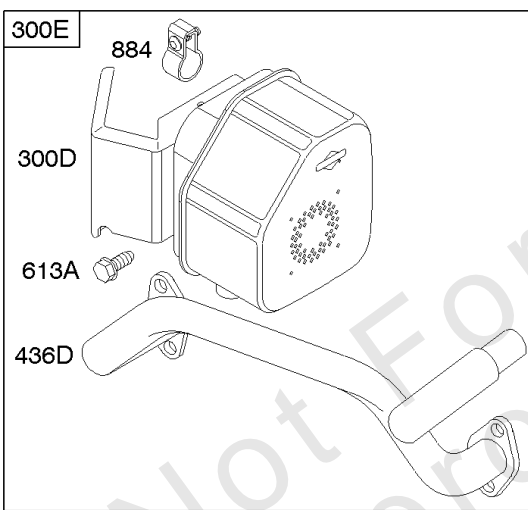
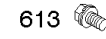
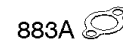
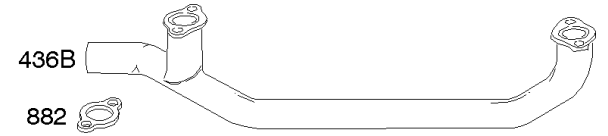
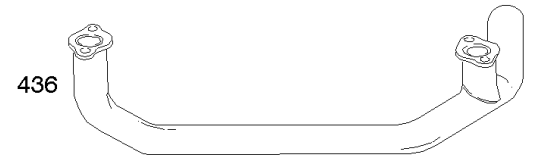
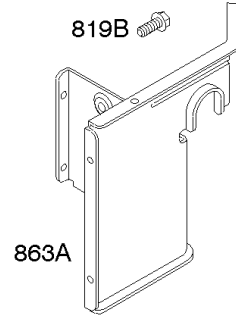
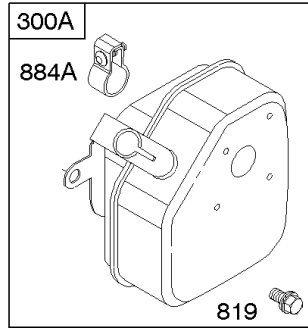
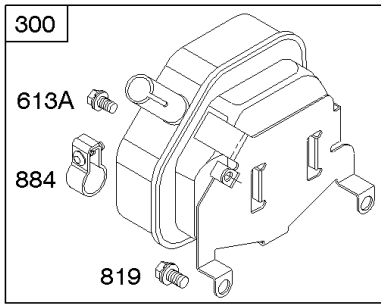
- Read and follow Operating Instructions before running engine.
- Gasoline is flammable. Allow engine to cool at least 2 minutes before refueling.
- Engines emit carbon monoxide, DO NOT run in enclosed area.
- Muffler area temperature may exceed 150°F. Do not touch hot parts.

REQUIRED when replacing parts with warning labels affixed.



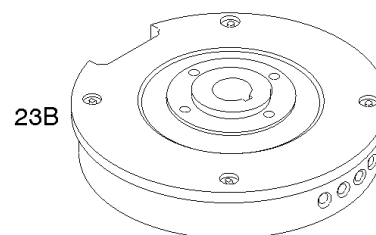
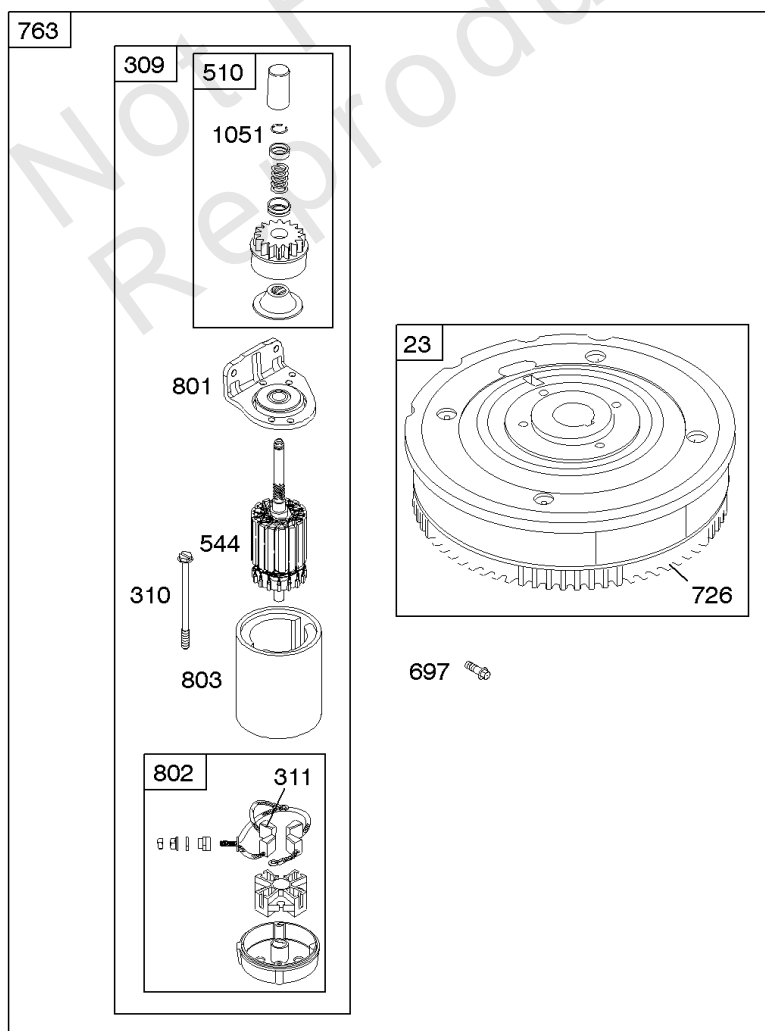
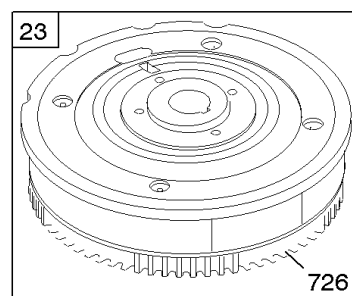
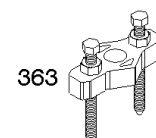
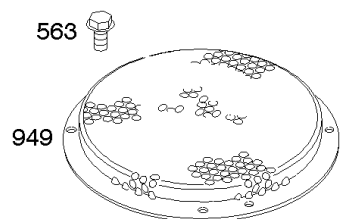
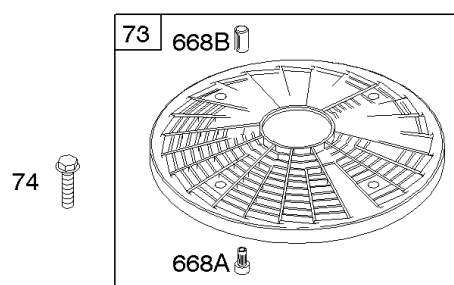
Engine Sump, Cylinder, Gasket Set - Engine, Piston, Rings, Connecting Rod

REF NO	PART NO	QTY	DESCRIPTION
276A	691766		Washer-Sealing -(Rocker Cover) -Used Before Code Date 01120300
358	808390		Gasket Set-Engine -Used Before Code Date 01120300
358	842722		Gasket Set-Engine -Used After Code Date 01120200
415	794903		PLUG -(Square Head)
439	692154		O-RING, Oil Gallery -(Crankcase Cover/Sump) or (Cylinder Assembly)
524	692053		Seal-Dipstick Tube
552	690701		Bushing-Governor Crank
552A	806686		Bushing-Governor Crank
572	690686		Baffle-Breather
615	691550		PIN, Cotter
616	806685		Crank-Governor
616A	690899		Crank-Governor -Used Before Code Date 99072100
691	690680		Seal-Governor Shaft
706	805484		Washer-Flat -(Breather Assembly) -Used Before Code Date 90111500
718	806469		Pin-Locating
718A	805102		Pin-Locating -Used Before Code Date 90091100
842	691870		Seal-O Ring -(Dipstick Tube)
868	691963		SEAL, Valve
883A	691613		GASKET, Exhaust
988	692063		Gasket-Oil Adapter
988A	690687		Gasket-Oil Adapter
1022	806039S		Gasket-Rocker Cover
1058	277107		Operator's Manual
1135	806497		Washer -(Crankcase Cover/Sump)
1319	794467		LABEL, Warning
1330	272144		Repair Manual
1346	492031		Valve-Oil Drain Shut Off



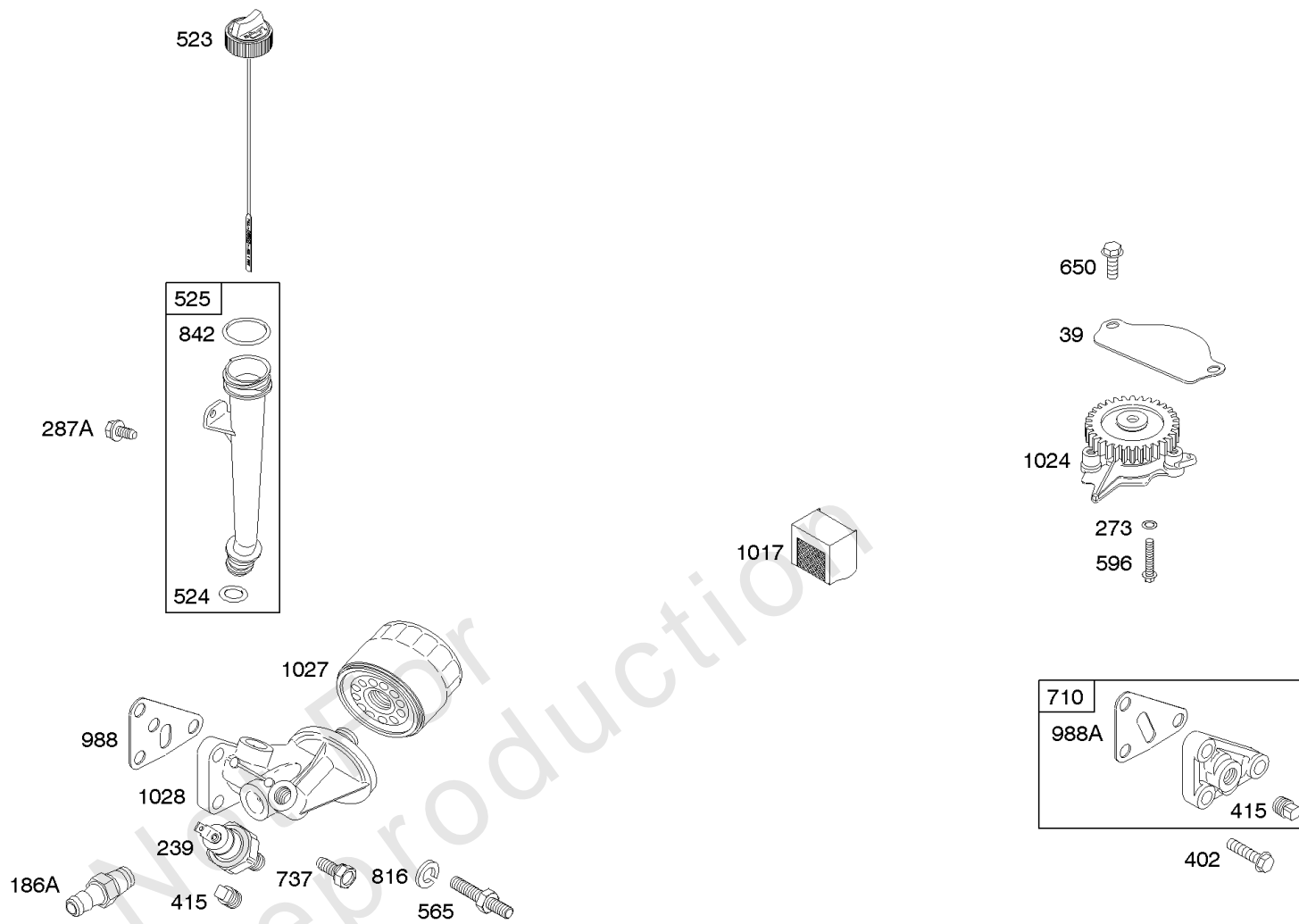
Exhaust System

REF NO	PART NO	QTY	DESCRIPTION
300	-----		Muffler -(For Replacement Muffler, Order 692099)
300A	807742		Muffler
300B	498984S		Muffler
300C	692099		Muffler
300D	807953		Muffler
300E	807969		Muffler
346	690661		SCREW -(Spark Arrestor)
436	692061		Manifold-Exhaust -(Cylinder 2)(Side Outlet)(Used With Customer Supplied Muffler)
436B	691502		Manifold-Exhaust -(Cylinder 1)(Side Outlet)(Used With Customer Supplied Muffler)
436D	805778		Manifold-Exhaust -(Wide Area Walker)
613	690297		Screw -(Muffler)
613A	691902		Screw -(Muffler)
676	795036		DEFLECTOR, Muffler -(Side Out)
676A	795038		Deflector-Muffler -(Dual Louvered)
676B	396903		DEFLECTOR, Muffler -(Direct Out)
677	690661		SCREW -(Muffler Deflector)
819	692056		Screw -(Muffler Bracket)
819A	692067		SCREW -(Muffler Bracket)
819D	692062		Screw -(Muffler Bracket)
819B	692198		Screw -(Muffler Bracket)
832	692361		Guard-Muffler
836	691982		Screw -(Muffler Guard)
863	691513		Bracket-Muffler
863A	224359		Bracket-Muffler
882	692074		Flange-Exhaust
883A	691613		GASKET, Exhaust
884	690898		Clamp-Muffler -(1 9/64" Inside Diameter)
884A	691956		Clamp-Muffler -(1 1/4" Inside Diameter)
994	794945		ARRESTOR, Spark



Flywheel

REF NO	PART NO	QTY	DESCRIPTION
23	808766		Flywheel -(Steel Ring Gear)
23B	690889		Flywheel -(Rewind Starter)
73	494439		SCREEN, Rotating
74	691647		Screw -(Rotating Screen)
75	691490		Washer -(Flywheel)
309	691564		Motor-Starter -(Steel Ring Gear Only)
310	496880		Screw -(Starter Motor)
311	496887		Brush Set
332	690887		Nut -(Flywheel)
363	19203		PULLER, Flywheel
510	496881		Drive-Starter
544	BLANK		Armature-Starter -(Service With 691564 Starter Motor Only)
563	691982		Screw -(Debris Screen Guard)
668A	691500		SPACER -(Knurled Insert)
668B	690737		Spacer
668B	691215		SPACER -(Rotating Screen)
697	692062		Screw -(Drive Cap)
726	-----		Gear-Ring -(Steel)(See Reference 23 for Service)
801	808778		Cap-Drive
802	496813		Cap-End
803	690854		Housing-Starter
949	690475		Guard-Debris Screen
1051	690736		Ring-Retaining



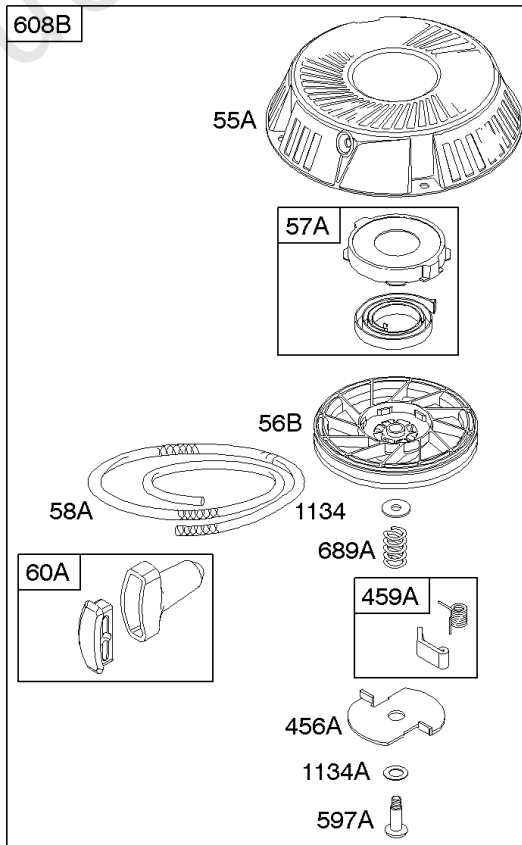
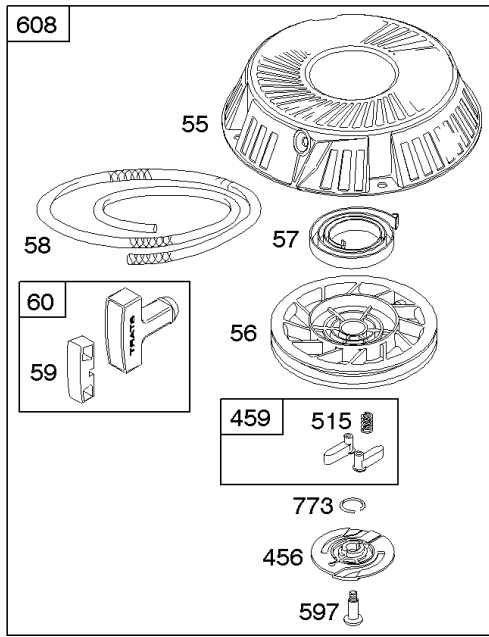
Lubrication

REF NO	PART NO	QTY	DESCRIPTION
39	690745		COVER, Gear
186A	691764		Connector-Hose
239	690233		Switch-Oil Pressure -(Oil GARD)
273	690681		Seal-O Ring -(Oil Pump)
287A	807084		SCREW -(Dipstick Tube)
402	690679		Screw -(Oil Filter Cover)
415	794903		PLUG -(Square Head)
523	692101		Dipstick
524	692053		Seal-Dipstick Tube
525	692093		Tube-Dipstick
565	690682		STUD -(Oil Filter Adapter)
596	691492		SCREW -(Oil Pump)
650	691982		Screw -(Oil Deflector)
710	807689		Cover-Oil Filter
737	690679		Screw -(Oil Filter Adapter)
816	690706		Washer -(Oil Filter Adapter)
842	691870		Seal-O Ring -(Dipstick Tube)
988	692063		Gasket-Oil Adapter
988A	690687		Gasket-Oil Adapter
1017	690878		Screen-Oil Pump
1024	843954		Pump-Oil
1027	842921		Filter-Oil
1027	491056		Filter-Oil -(3 1/4" Long)
1028	808235		Adapter-Oil Filter

Replacement Engine

REF NO	PART NO	QTY	DESCRIPTION
	3057773032	1	Replacement Engine
	494057	1	Replacement Short Block
	-----		Top No-Load Speed: 3300 -Trim: ALL
	-----		Service Note: Transfer the Muffler and/or Spark Arrester Assembly from the original engine if suitable for additional service, or add new parts as required. In some cases it may be necessary to transfer the Oil Filter Adapter to the replacement engine.
	-----		Service Note: Transfer Blower Housing, Flywheel and Booster Fan Group to replacement engine. Transfer Electric Starter if original Flywheel is equipped with an aluminum ring gear .

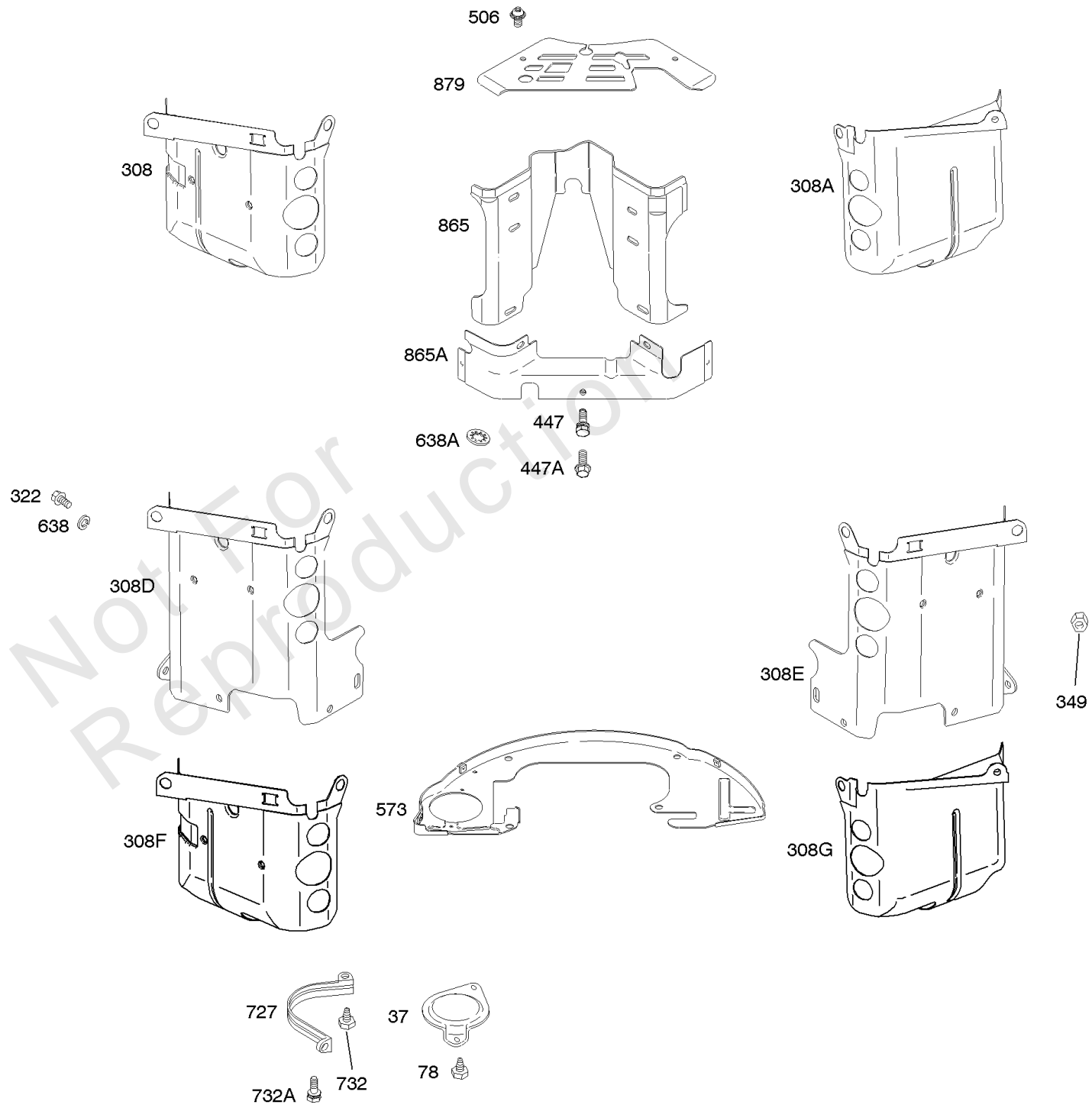
Not For
Reproduction



Not For
Reproduction

Rewind Starter

REF NO	PART NO	QTY	DESCRIPTION
55	691568		Housing-Rewind Starter
55A	492193		Housing-Rewind Starter
56	692085		Pulley-Starter
56B	280918		Pulley-Starter
57	692086		Spring-Rewind Starter
57A	492194		Spring-Rewind Starter
58	66574		Rope-Starter -(Cut To Required Length)
58A	695002		Rope-Starter -(Cut To Required Length)
59	805957		Insert-Grip
60	808167		Grip-Starter Rope
60A	490652		HANDLE, Starter Rope
65	691982		Screw -(Rewind Starter)
318	841233		SCREW -(Mounting Bracket)
455	691517		Cup-Flywheel
455A	805153		Cup-Flywheel
456	691529		Plate-Pawl Friction
456A	224228		Plate-Pawl Friction
459	808166		Pawl-Ratchet
459A	492431		Pawl-Ratchet
493	691503		Bracket-Mounting -(Rewind Starter)
515	691528		Spring-Pawl
597	690876		Screw -(Pawl Friction Plate)
597A	94463		Screw -(Pawl Friction Plate)
608	692102		Starter-Rewind -Used After Code Date 93072500
608B	808152		Starter-Rewind -Used Before Code Date 93072600
689A	262564		Spring-Friction
773	690875		Retainer -(Pawl Friction Plate)
1134	94464		Washer -(Pawl Friction Plate)
1134A	94462		Washer -(Pawl Friction Plate)



Shrouds

REF NO	PART NO	QTY	DESCRIPTION
37	841309		Guard-Flywheel
78	690688		Screw -(Flywheel Guard)
308	807656		Cover-Cylinder Head -(Cylinder #1) -Used Before Code Date 90111700
308	841232		Cover-Cylinder Head -(Cylinder #1) -Used After Code Date 90111600
308A	841182		Cover-Cylinder Head -(Cylinder #2) -Used After Code Date 90111600
308A	807657		Cover-Cylinder Head -(Cylinder #2) -Used Before Code Date 90111700
308G	841182		Cover-Cylinder Head -(Cylinder #2) -Used Before Code Date 03110100
308F	841182		Cover-Cylinder Head -(Cylinder #2) -Used After Code Date 03103100
308E	841316		Cover-Cylinder Head -(Cylinder #2)
308D	841317		Cover-Cylinder Head -(Cylinder #1)
322	692067		SCREW -(Cylinder Head Cover)
349	690238		Nut -(Cylinder Head Cover)
447	841233		SCREW -(Air Guide Cover)
447A	807163		Screw -(Air Guide Cover)
506	690677		SCREW -(Carburetor Cover)
573	841310		Plate-Back
638	690706		Washer -(Cylinder Head Cover)
638A	691551		Washer -(Cylinder Head Cover) -Used Before Code Date 03110100
727	841313		Cover-Starter Drive -(Black)
732	690688		Screw -(Starter Drive Cover)
732A	841233		SCREW -(Starter Drive Cover)
865	841312		Cover-Air Guide -(Black)
865A	841319		Cover-Air Guide -(Aluminum)
879	842829		Cover-Carburetor

