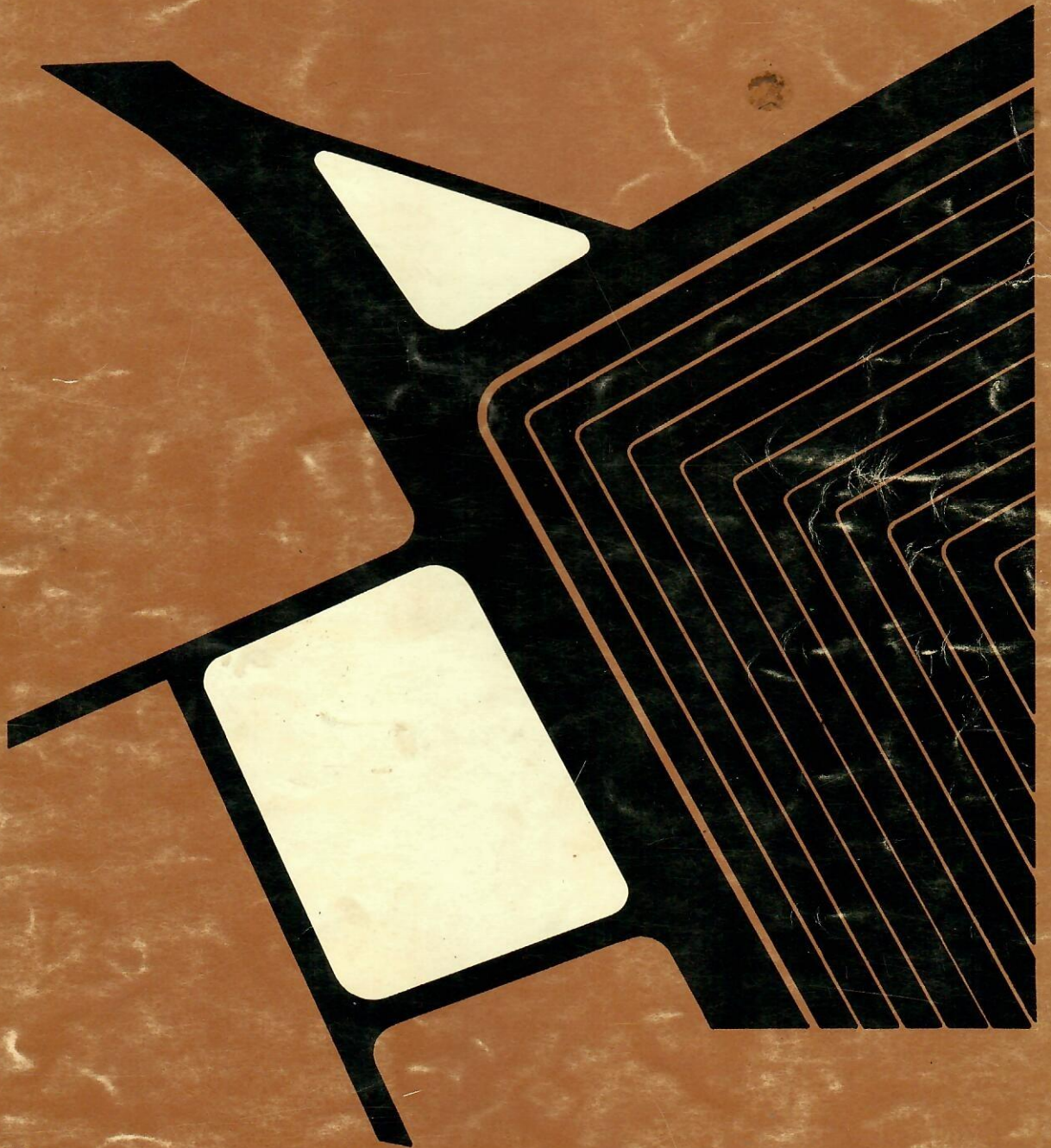




HONDA

F60



3

© 1975 HONDA MOTOR CO., LTD.

The Last edition

PARTS LIST

PARTS LIST

FOR

HONDA

F60

FOREWORD

This parts list contains all the spare parts for the F60 model and is to be used when ordering spare parts.

On placing your order, please forward frame number for frame parts and engine number for engine parts together with your order. The reason for this is that it is necessary to verify that the parts being ordered are applicable to the model series intended. No supplement to this parts list will be issued. In case of any change to its content, no notification or supplement will be issued for this parts list. However, a revised edition of revised edition of this parts list will be issued to maintain is up-to-date. The revised edition can be identified by the revision No. on the cover. To check the latest parts list revision, please contact your nearest distributor.

February 1, 1967

HONDA MOTOR CO., LTD.

GROUP INDEX

INSTRUCTION
FOR
USE OF PARTS LIST

2 ~ 3

ENGINE GROUP

6 ~ 43

FRAME GROUP

44 ~ 69

OPTIONAL GROUP

70 ~ 83

PART NO. INDEX

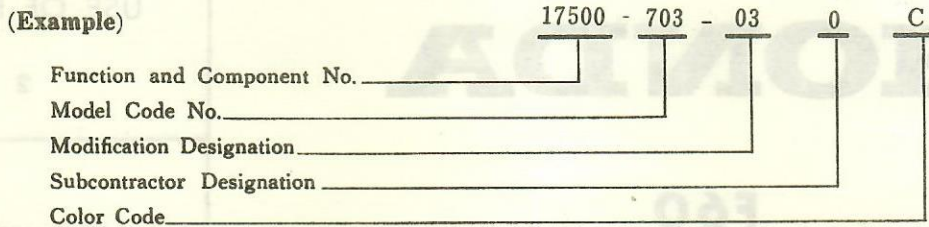
85 ~ 90

INSTRUCTION FOR USE OF PARTS LIST

DESCRIPTION OF PARTS LIST

1. Make-up of the Part Number

The following example is the definition of part number.



2. Abbreviations

The abbreviations used in this parts list are as follows.

ASSY.	Assembly
COMP.	Complete
hex.	hexagonal
22T	22 teeth

3. Dimensions

All dimensions are in millimeters except for the steel balls and wheels.

Parts	Example	Interpretation
Bolt (Screw)	6×12	6 mm diameter, 12 mm length
Pin	8×14	8 mm diameter, 14 mm length
O-Ring	9.5×1.6	9.5 mm diameter, 1.6 mm thickness
Oil seal	14×24×5	14 mm inside diameter, 24 mm outside diameter, 5 mm thickness
Tube	5×130	5 mm inside diameter, 130 mm length

4. Quantity used

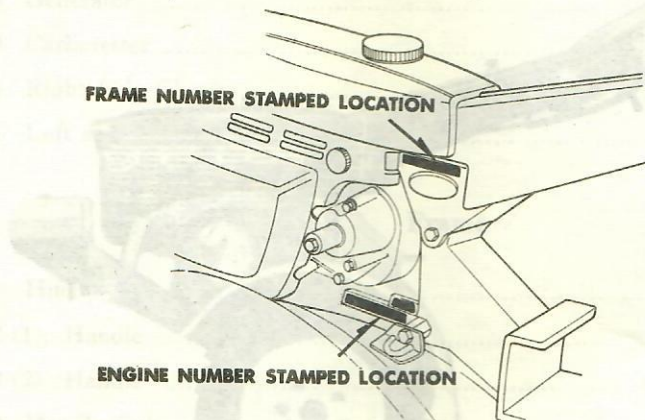
In the column "Reqd. No." is shown the quantity of parts used in the respective group.

5. Applicable Serial Number

If there is a production change to a part, the frame serial number to which this part become effective will be indicated in the "Serial No." column. However, in case the part is used from the initial serial number, its applicable serial number is not shown.

F60		
Model year	Engine No.	Frame No.
61	F60E-10001~	F60-10001~
62	F60E-200001~	F60-300001~
63	F60E-300001~	F60-300001~
64	F60E-100011~	F60-100011~
64	F60E-400011~	F60-400011~
Discontinued Model	F60E-1100011~	F60-1100011~

The serial number is stamped in the following location.



6. Color code

The following table indicates the color description of the color codes which are listed in the text.

Color code	Description
C	Scarlet
R	Ivory yellow

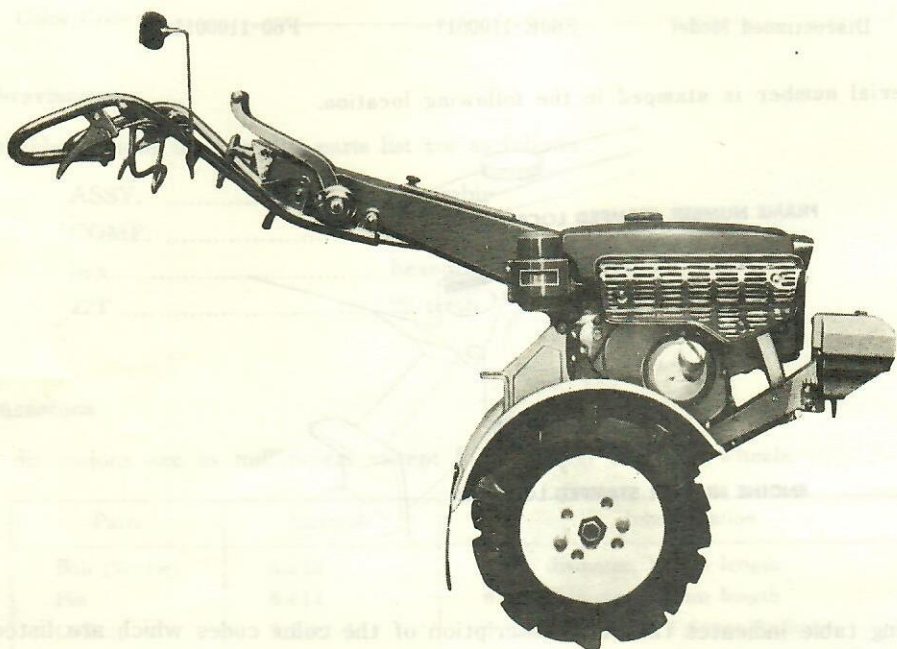
7. The part number described under the part description supersedes the part number ahead.

8. This Part List is compiled as of September 30, 1975

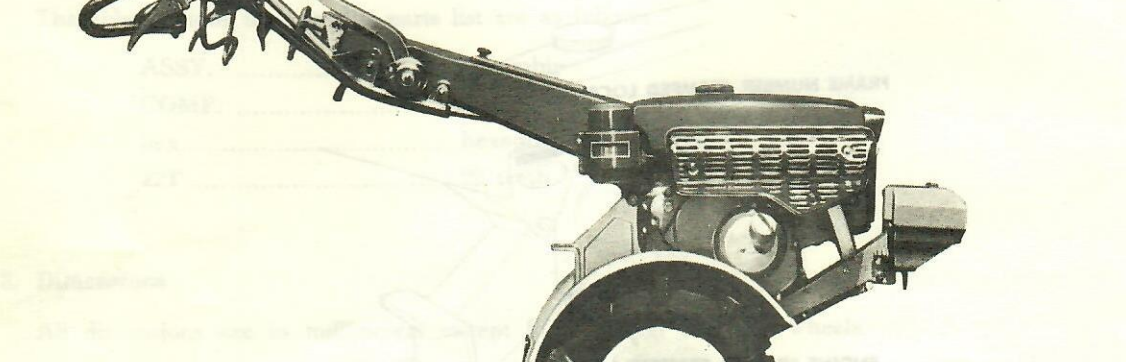
2. Applicable Serial Number Range for Use of Part List

If there is a production change to a part, the frame serial number to which the part becomes effective will be indicated in the "Production Change" column. The part is used from the initial serial number, an applicable serial number is not shown.

Part Number	Description	Production Change	Initial Serial Number
700-10001	Engine		700-10001
700-20001	Transmission		700-20001
700-30001	Front Wheel		700-30001
700-40001	Rear Wheel		700-40001
700-50001	Steering		700-50001
700-60001	Seat		700-60001
700-70001	Light		700-70001
700-80001	Blade		700-80001
700-90001	Attachment		700-90001



The serial number is stamped in the following location:



Color Code	Description
B	Light Yellow
C	Dark Yellow

Color Code	Description
B	Light Yellow
C	Dark Yellow

7. The part number described under the part description supersedes the part number shown.
 8. This Part List is compiled as of September 30, 1972.

Contents

Engine

E- 1	Cylinder • cylinder head	6
E- 2	Crankshaft	8
E- 3	Camshaft	10
E- 4	Clutch	12
E- 5	Right Case	18
E- 6	Left Case.....	24
E- 7	Fan Cover	28
E- 8	Generator	30
E- 9	Carburetter	34
E-10	Right Side Clutch	38
E-11	Left side Clutch.....	40

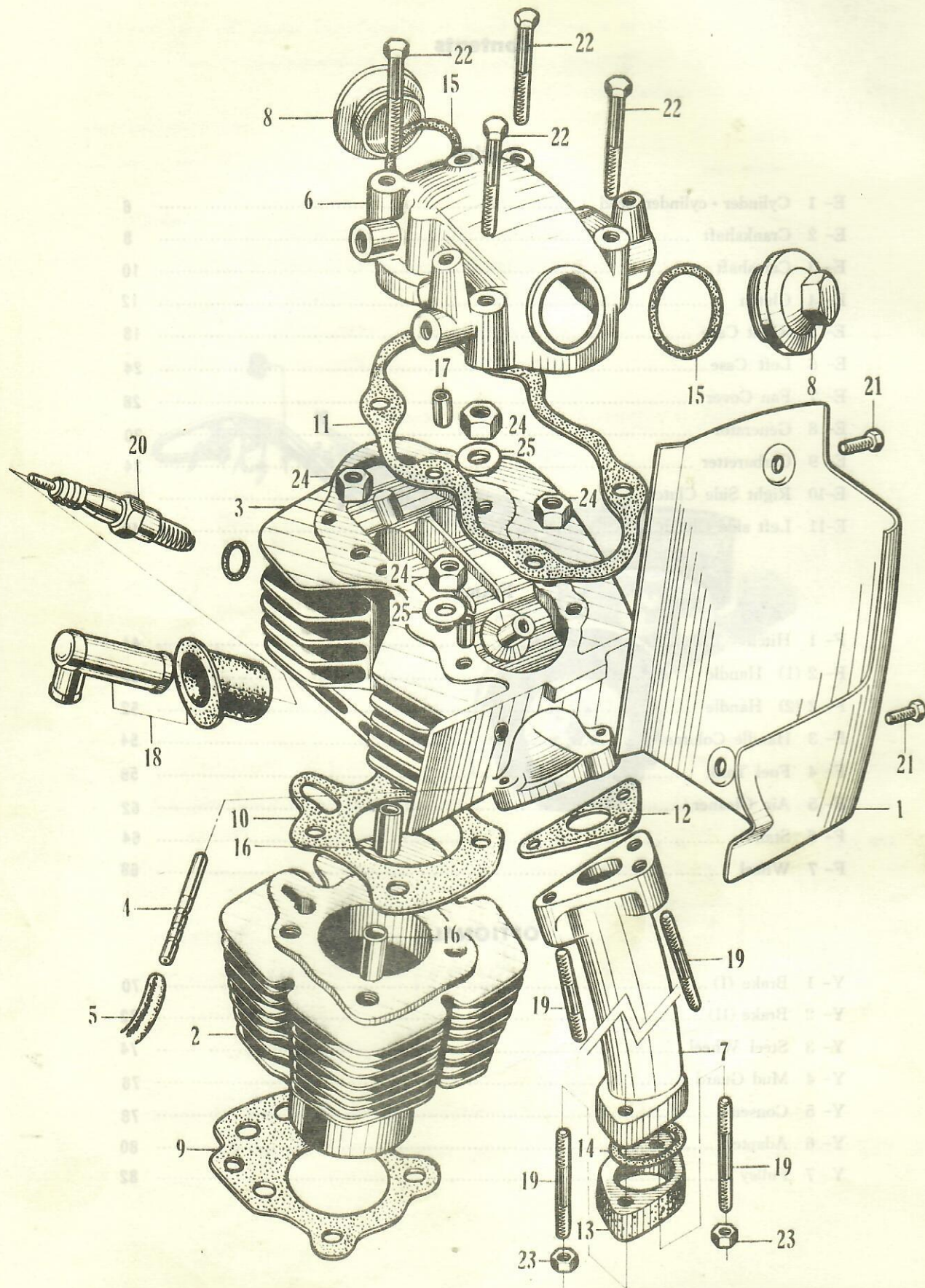
Frame

F- 1	Hitch	44
F- 2 (1)	Handle	46
F- 2 (2)	Handle	52
F- 3	Handle Column	54
F- 4	Fuel Tank	58
F- 5	Air Cleaner.....	62
F- 6	Stand	64
F- 7	Wheel	68

OPTIONAL

Y- 1	Brake (I)	70
Y- 2	Brake (II).....	72
Y- 3	Steel Wheel	74
Y- 4	Mud Guard	76
Y- 5	Consent	78
Y- 6	Adapter.....	80
Y- 7	Pulley	82

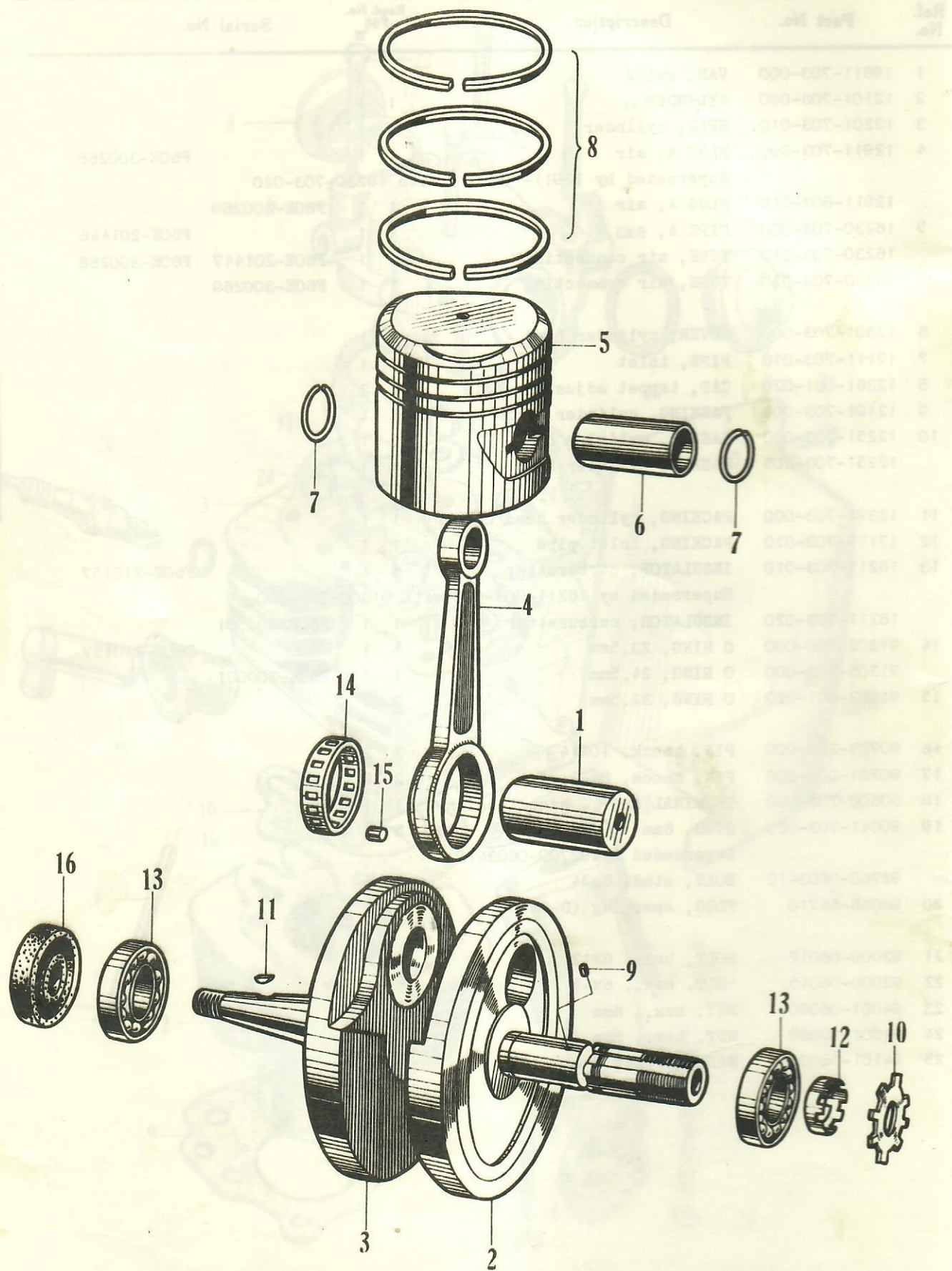
E-1 Cylinder · Cylinder Head



E-1 Cylinder · Cylinder Head

Ref. No.	Part No.	Description	Reqd. No.		Serial No.
			F60 VI	VII	
1	19611-703-000	VAN, guide	1	1	
2	12101-703-000	CYLINDER	1	1	
3	12201-703-010	HEAD, cylinder	1	1	
4	12911-703-000	PLUG A, air	1	1	F60E-300268
		Superseded by 12911-703-010 with 16230-703-020			
	12911-803-010	PLUG A, air	1	1	F60E-300269
5	16230-703-000	PIPE A, 6x3	1	1	F60E-201446
	16230-703-010	TUBE, air connecting	1	1	F60E-201447 F60E-300268
	16230-703-020	TUBE, air connecting	1	1	F60E-300269
6	12301-703-000	COVER, cylinder head	1	1	
7	17111-703-010	PIPE, inlet	1	1	
8	12361-001-020	CAP, tappet adjusting hole	2	2	
9	12191-703-000	PACKING, cylinder	1	1	
10	12251-703-000	GASKET, cylinder head	1	1	
	12251-703-305	GASKET, cylinder head	1	1	
11	12391-703-000	PACKING, cylinder head cover	1	1	
12	17119-703-010	PACKING, inlet pipe	1	1	
13	16211-703-010	INSULATOR, carburetter	1	1	F60E-210157
		Superseded by 16211-703-020 with 91306-703-000			
	16211-703-020	INSULATOR, carburetter	1	1	F60E-300001
14	91302-700-000	O RING, 23.5mm	1	1	F60E-210157
	91306-703-000	O RING, 24.5mm	1	1	F60E-300001
15	91302-001-020	O RING, 31.5mm	2	2	
16	90703-200-000	PIN, knock, 10x14	2	2	
17	90701-001-000	PIN, knock, 8x12	2	2	
18	30600-703-000	TERMINAL ASSY., high tension	1	1	
19	90041-703-000	STUD, 6mm	5	5	
		Superseded by 92700-0603410			
	92700-0603410	BOLT, stud, 6x34	5	5	
20	98066-56710	PLUG, sparking (D-6H)	1	1	
21	92000-06012	BOLT, hex., 6x12	2	2	
22	92000-06045	BOLT, hex., 6x45	4	4	
23	94001-06000	NUT, hex., 6mm	5	5	
24	94001-08000	NUT, hex., 8mm	4	4	
25	94101-08000	WASHER, flat 8mm	2	2	

E-2 Crankshaft



E-2 Crankshaft

Ref. No.	Part No.	Description	Reqd. No.		Serial No.
			F60 VI	VII	
	13000-703-000	CRANKSHAFT ASSY.	1	1	
1	13381-703-000	PIN, crank	1	1	
2	13311-703-010	CRANKSHAFT, right	1	1	
3	13321-703-000	CRANKSHAFT, left	1	1	
4	13201-703-000	ROD, connecting	1	1	
5	13101-703-000	PISTON (STD)	1	1	
	13102-703-000	PISTON (0.25)	1	1	
	13103-703-000	PISTON (0.50)	1	1	
	13104-703-000	PISTON (0.75)	1	1	
6	13111-703-000	PIN, piston	1	1	
7	13115-200-000	CLIP, piston pin	2	2	
8	13012-703-000	RING SET, piston (STD)	1	1	
	13022-703-000	RING SET, piston (0.25)	1	1	
	13032-703-000	RING SET, piston (0.50)	1	1	
	13042-703-000	RING SET, piston (0.75)	1	1	
9	90719-200-000	PIN, knock timing sprocket	1	1	
10	90231-703-000	NUT, lock, 16mm	1	1	
		Superseded by 90231-200-010			
	90231-200-010	NUT, lock, 16mm			
11	90741-703-000	KEY, woodruff, 3x5	1	1	
12	90434-703-000	WASHER, 16mm	1	1	
		Superseded by 90431-216-010			
	90431-216-010	WASHER, lock, 16mm	1	1	
13	91041-703-000	BEARING, ball, 22mm	2	2	
14	91131-703-000	RETAINER A, roller	1	1	
15	91101-703-000	ROLLER, 2.5x10	22	22	
16	91203-703-000	OIL-SEAL, PJ17328	1	1	

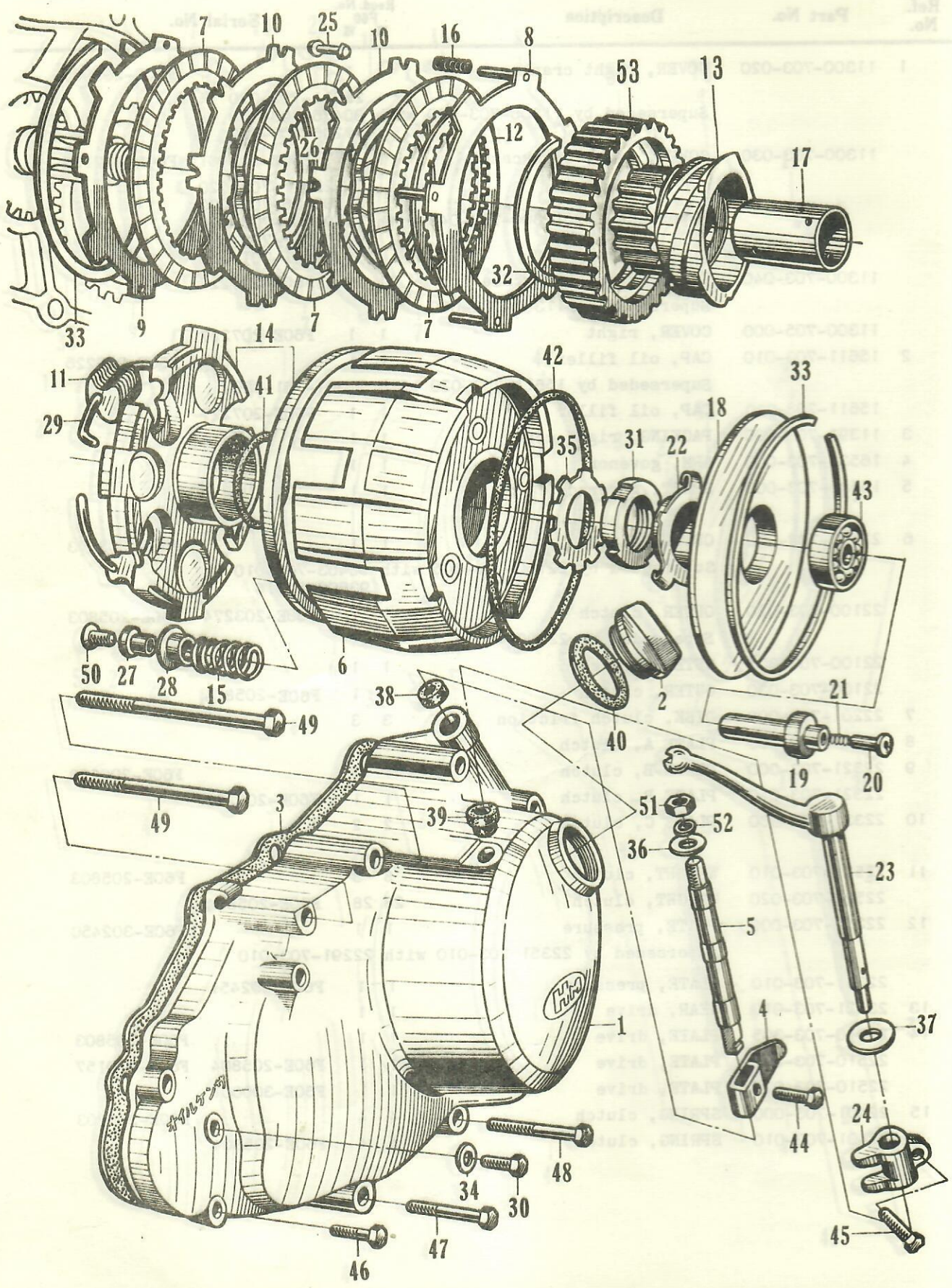
E-3 Camshaft

Ref. No.	Part No.	Description	Reqd. No. F60 VI VII	Serial No.
1	14311-703-010	GEAR, timing	1 1	F60E-200031
		superseded by 14311-703-020 with 16500-703-010		
	14311-703-020	GEAR, timing	1 1	F60E-200032
2	14101-703-010	CAMSHAFT	1 1	F60E-200465
		Superseded by 14101-703-020 with 16520-703-010		
	14101-703-020	CAMSHAFT	1 1	F60E-202434
	14101-703-030	CAMSHAFT	1 1	F60E-202435
3	14411-703-000	ROD, inlet push	1 1	F60E-1142333
	14411-001-030	ROD, inlet push	1 1	F60E-114234
4	14421-703-000	ROD, exhaust push	1 1	
		Superseded by 14411-001-030		
5	14731-703-000	LIFTER, valve	1 1	
6	14431-703-000	ARM, inlet valve rocker	1 1	
7	14441-703-000	ARM, exhaust valve rocker	1 1	
8	90012-200-000	SCREW, tappet adjusting	2 2	
9	14451-703-000	SHAFT, valve rocker arm	2 2	
10	14481-001-000	SPRING, rocker arm	2 2	
11	14711-703-000	VALVE, inlet	1 1	
12	14721-703-000	VALVE, exhaust	1 1	
13	14751-703-000	SPRING, valve	2 2	
14	14771-001-000	RETAINER, valve spring	2 2	
		Superseded by 14771-011-000		
	14771-011-000	RETAINER, valve spring	2 2	
15	14781-001-010	COTTER, valve	4 4	
16	15199-250-000	PIN, knock, oil pump cover	1 1	
17	16500-703-000	GOVERNOR, unit	1 1	F60E-200031
		Superseded by 16500-703-010 with 14311-703-020		
	16500-703-010	GOVERNOR, unit	1 1	F60E-200032
18	16520-703-000	SLIDER, governor	1 1	F60E-200465
	16520-703-010	SLIDER, governor	1 1	F60E-200466
19	90084-703-000	BOLT, hex, 5x22	2 2	
20	90011-703-000	SCREW, rocker shaft end	1 1	
21	90011-001-000	SCREW, rocker shaft end	1 1	
22	90206-001-000	NUT, tappet adjusting	2 2	
23	90481-001-020	WASHER, 10.2mm	2 2	

E-4 Clutch

Ref. No.	Part No.	Description	Reqd. No.		Serial No.
			F60 VI	VII	
1	11300-703-020	COVER, right crankcase	1	1	F60E-203960
		Superseded by 11300-703-030 with		22811-703-020 90476-703-000 91206-703-000	
	11300-703-030	COVER, right crankcase	1	1	F60E-203961 F60E-207226
		Superseded by 11300-703-040 with		22811-703-020 90476-703-000 91206-703-000 15611-703-020 91301-701-000	
	11300-703-040	COVER, right crankcase	1	1	F60E-207227
		Superseded by 11300-705-000			
	11300-705-000	COVER, right	1	1	F60E-207227
2	15611-703-010	CAP, oil filler	1	1	F60E-207226
		Superseded by 15611-703-020 with		91301-701-000	
	15611-703-020	CAP, oil filler	1	1	F60E-207227
3	11391-703-000	PACKING, right cover	1	1	
4	16531-703-000	ARM, govenor	1	1	
5	16535-703-000	SHAFT, governor	1	1	
6	22100-703-010	OUTER, clutch	1	1	F60E-203273
		Superseded by 22100-703-305 with		90403-703-010 93600-05016	
	22100-703-020	OUTER, clutch	1	1	F60E-203274 F60E-205803
		Superseded by 22100-703-305			
	22100-703-305	OUTER, clutch	1	1	
	22100-703-030	OUTER, clutch	1	1	F60E-205804
7	22201-703-000	DISK, clutch friction	3	3	
8	22310-703-000	PLATE A, clutch	1	1	
9	22321-703-000	PLATE B, clutch	1	1	F60E-200228
	22321-703-010	PLATE B, clutch	1	1	F60E-200229
10	22331-703-000	PLATE C, clutch	2	2	
11	22521-703-010	WEIGHT, clutch	8	8	F60E-205803
	22521-703-020	WEIGHT, clutch	28	28	F60E-205804
12	22351-703-000	PLATE, pressure	1	1	F60E-302450
		Superseded by 22351 703-010 with		22291-703-010	
	22351-703-010	PLATE, pressure	1	1	F60E-302451
13	23121-703-010	GEAR, drive	1	1	
14	22510-703-305	PLATE, drive	1	1	F60E-205803
	22510-703-020	PLATE, drive	1	1	F60E-205804 F60E-210157
	22510-703-030	PLATE, drive	1	1	F60E-300001
15	22401-703-000	SPRING, clutch	4	4	F60E-205803
	22401-703-010	SPRING, clutch	4	4	F60E-205804

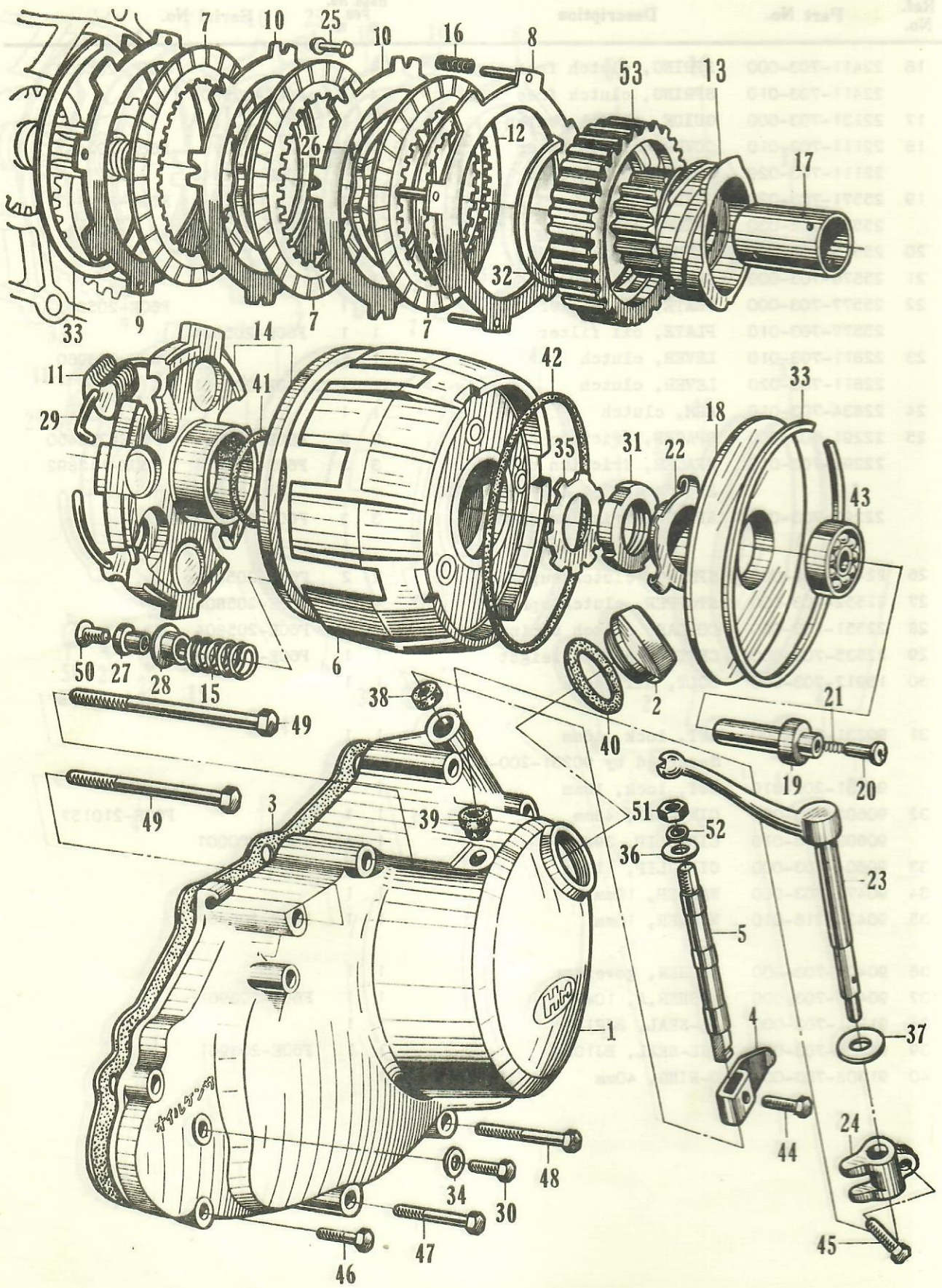
E-4 Clutch



E-4 Clutch

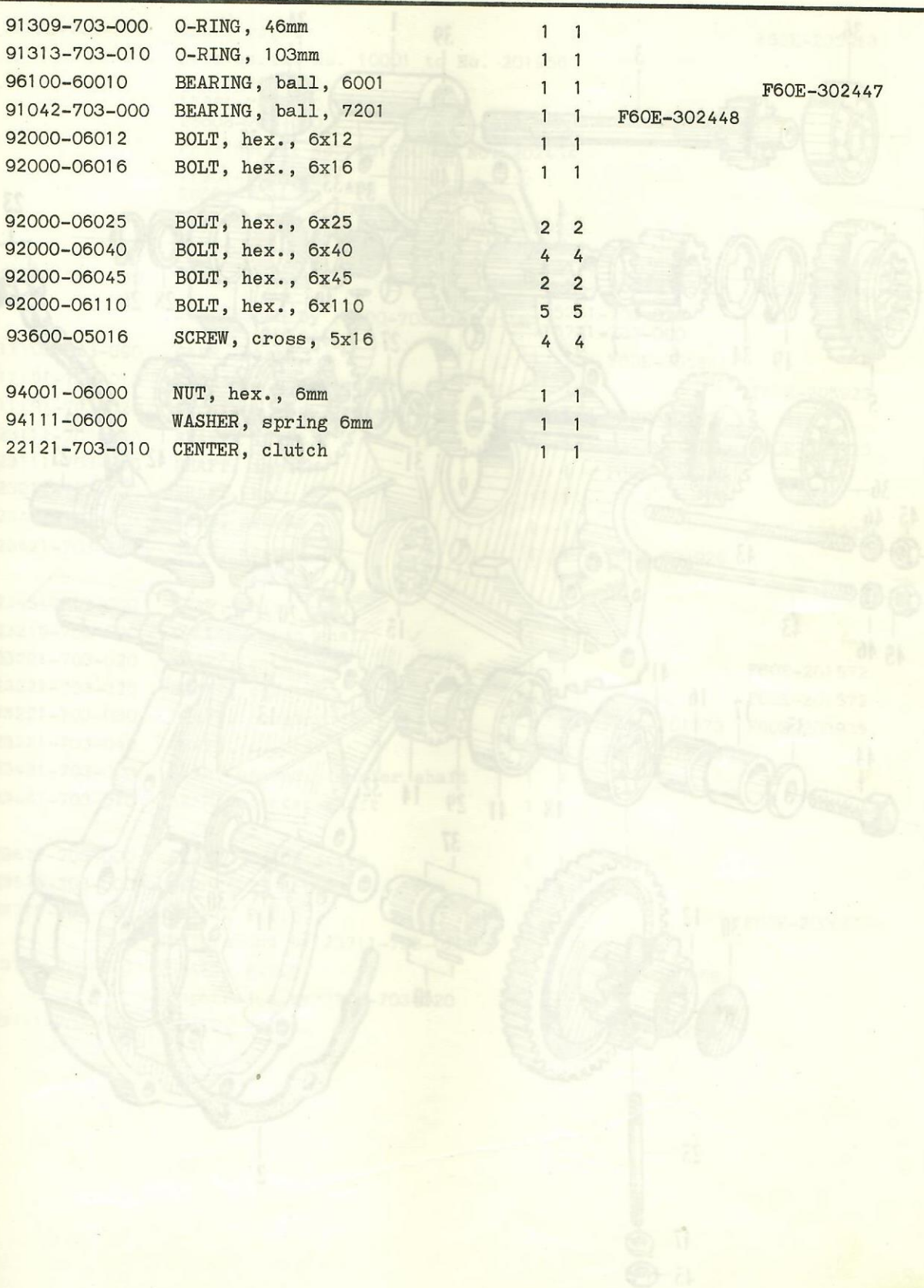
Ref. No.	Part No.	Description	Reqd. No.		Serial No.
			F60	VI	
16	22411-703-000	SPRING, clutch free	4	4	F60E-205803
	22411-703-010	SPRING, clutch free	4	4	F60E-205804
17	22131-703-000	GUIDE, clutch center	1	1	
18	22111-703-010	COVER, clutch outer	1	1	F60E-302447
	22111-703-020	COVER, clutch outer	1	1	F60E-302448
19	25571-703-020	GUIDE, oil	1	1	F60E-302447
	25571-703-030	GUIDE, oil	1	1	F60E-302448
20	25575-703-000	PLUNGER, oil guide	1	1	
21	25576-703-000	SPRING, oil guide	1	1	
22	25577-703-000	PLATE, oil filter	1	1	F60E-205803
	25577-703-010	PLATE, oil filter	1	1	F60E-205804
23	22811-703-010	LEVER, clutch	1	1	F60E-203960
	22811-703-020	LEVER, clutch	1	1	F60E-203961
24	22834-703-010	ARM, clutch	1	1	
25	22291-703-000	SPACER, friction disk	3	3	F60E-205804
	22291-703-010	SPACER, friction disk	3	3	F60E-302451
		Superseded by 22291-703-020			F60E-113892
	22291-703-020	SPACER, friction disk	3	3	F60E-113893
26	22441-703-000	SPRING, clutch support	2	2	F60E-205804
27	22552-703-000	STOPPER, clutch spring	4	4	F60E-205804
28	22551-703-000	COLLAR, clutch spring	4	4	F60E-205804
29	22535-703-000	CENTER, clutch weight	1	1	F60E-205804
30	15912-703-000	BOLT, oil check	1	1	
31	90231-703-000	NUT, lock, 16mm	1	1	
		Superseded by 90231-200-010			
	90231-200-010	NUT, lock, 16mm	1	1	
32	90603-703-000	CIR-CLIP, 48mm	1	1	F60E-210157
	90603-703-010	CIR-CLIP, 39mm	1	1	F60E-300001
33	90604-703-000	CIR-CLIP, 113mm	2	2	
34	90472-703-000	WASHER, 10mm	1	1	
35	90431-216-010	WASHER, 16mm	1	1	F60E-200407
36	90404-703-000	WASHER, governor	1	1	
37	90476-703-000	WASHER, A, 10mm	1	1	F60E-203961
38	91201-703-000	OIL-SEAL, BJ7134	1	1	
39	91206-703-000	OIL-SEAL, BJ1084	1	1	F60E-203961
40	91308-703-000	O-RING, 40mm	1	1	

E-4 Clutch

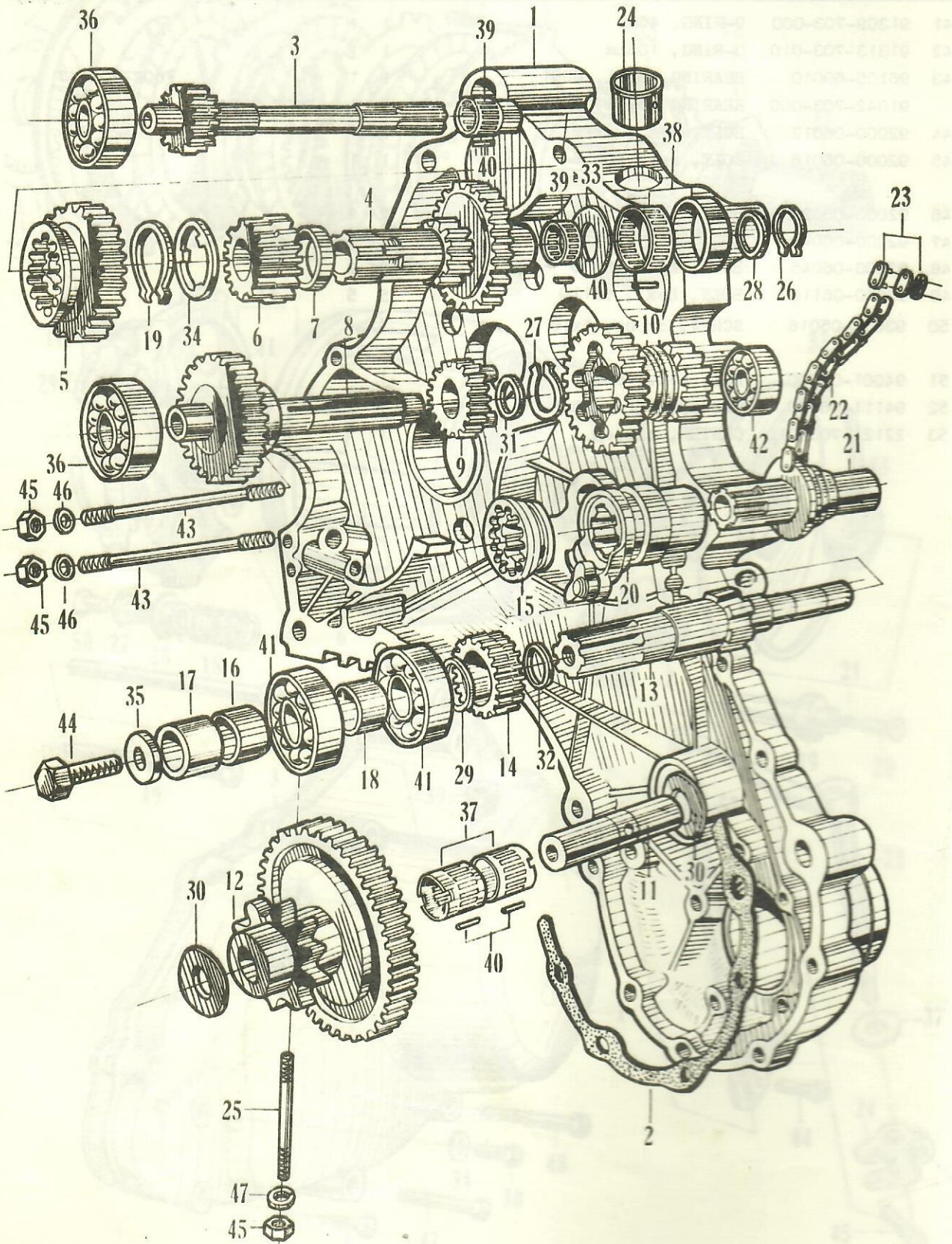


E-4 Clutch

Ref. No.	Part No.	Description	Reqd. No.		Serial No.
			F60 VI	VII	
41	91309-703-000	O-RING, 46mm	1	1	
42	91313-703-010	O-RING, 103mm	1	1	
43	96100-60010	BEARING, ball, 6001	1	1	F60E-302447
	91042-703-000	BEARING, ball, 7201	1	1	F60E-302448
44	92000-06012	BOLT, hex., 6x12	1	1	
45	92000-06016	BOLT, hex., 6x16	1	1	
46	92000-06025	BOLT, hex., 6x25	2	2	
47	92000-06040	BOLT, hex., 6x40	4	4	
48	92000-06045	BOLT, hex., 6x45	2	2	
49	92000-06110	BOLT, hex., 6x110	5	5	
50	93600-05016	SCREW, cross, 5x16	4	4	
51	94001-06000	NUT, hex., 6mm	1	1	
52	94111-06000	WASHER, spring 6mm	1	1	
53	22121-703-010	CENTER, clutch	1	1	



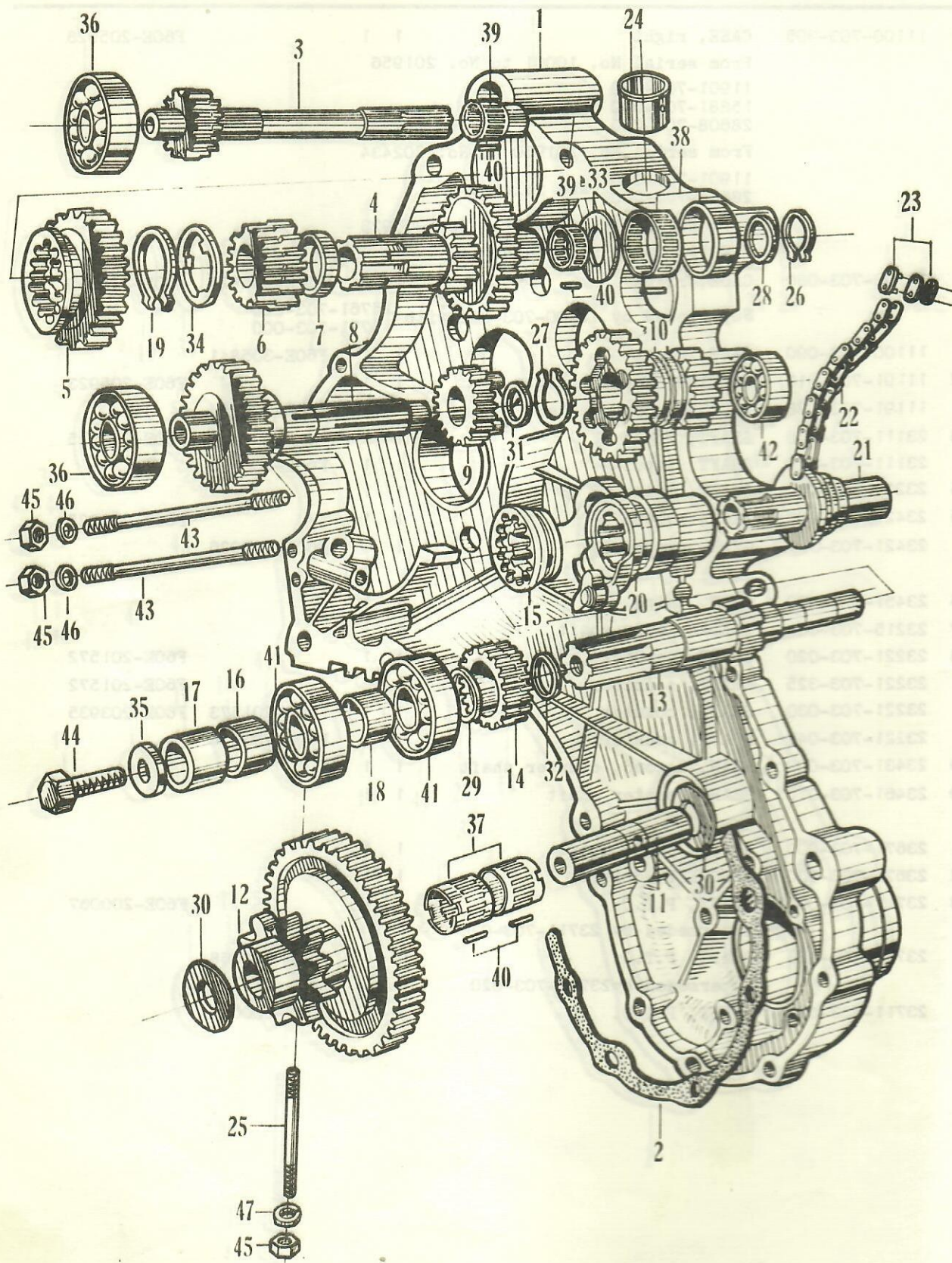
E-5 Right Case



E-5 Right Case

Ref. No.	Part No.	Description	Reqd. No. F60 VI VII	Serial No.
1	11100-703-305	CASE, right From serial No. 10001 to No. 201956 11901-703-010 15881-703-000 are related 28608-703-000 From serial No. 201960 to No. 202434 11901-703-010 28608-703-020 are related From serial No. 202435 to No. 205923 11901-703-010 is related	1 1	F60E-205923
	11100-703-080	CASE, right Superseded by 11100-703-090 with	1 1	F60E-205924 F60E-305840 15761-703-020 15771-703-000
	11100-703-090	CASE, right	1 1	F60E-305841
2	11191-703-010	PACKING, case center	1 1	F60E-205923
	11191-703-020	PACKING, case center	1 1	F60E-205924
3	23111-703-000	SHAFT, input	1 1	F60E-203925
	23111-703-010	SHAFT, input	1 1	F60E-203926
4	23211-703-000	SHAFT, main	1 1	
5	23421-703-000	GEAR, second	1 1	F60E-203925
	23421-703-010	GEAR, second	1 1	F60E-203926
6	23451-703-000	GEAR, third	1 1	
7	23215-703-000	COLLAR, main shaft	1 1	
8	23221-703-020	SHAFT, counter	1 1	F60E-201572
	23221-703-325	SHAFT, counter		F60E-201572
	23221-703-030	SHAFT, counter	1 1	F60E-201573 F60E-203935
	23221-703-040	SHAFT, counter	1 1	F60E-203936
9	23431-703-000	GEAR, second, counter shaft	1 1	
10	23461-703-010	GEAR, counter shaft	1 1	
11	23671-703-000	SHAFT, chain drive	1 1	
12	23675-703-000	SPROCKET, drive	1 1	
13	23711-703-000	SHAFT, P.T.O. Superseded by 23711-703-020	1 1	F60E-200067
	23711-703-303	SHAFT, P.T.O. Superseded by 23711-703-020	1 1	F60E-200068
	23711-703-020	SHAFT, P.T.O.	1 1	F60E-200068

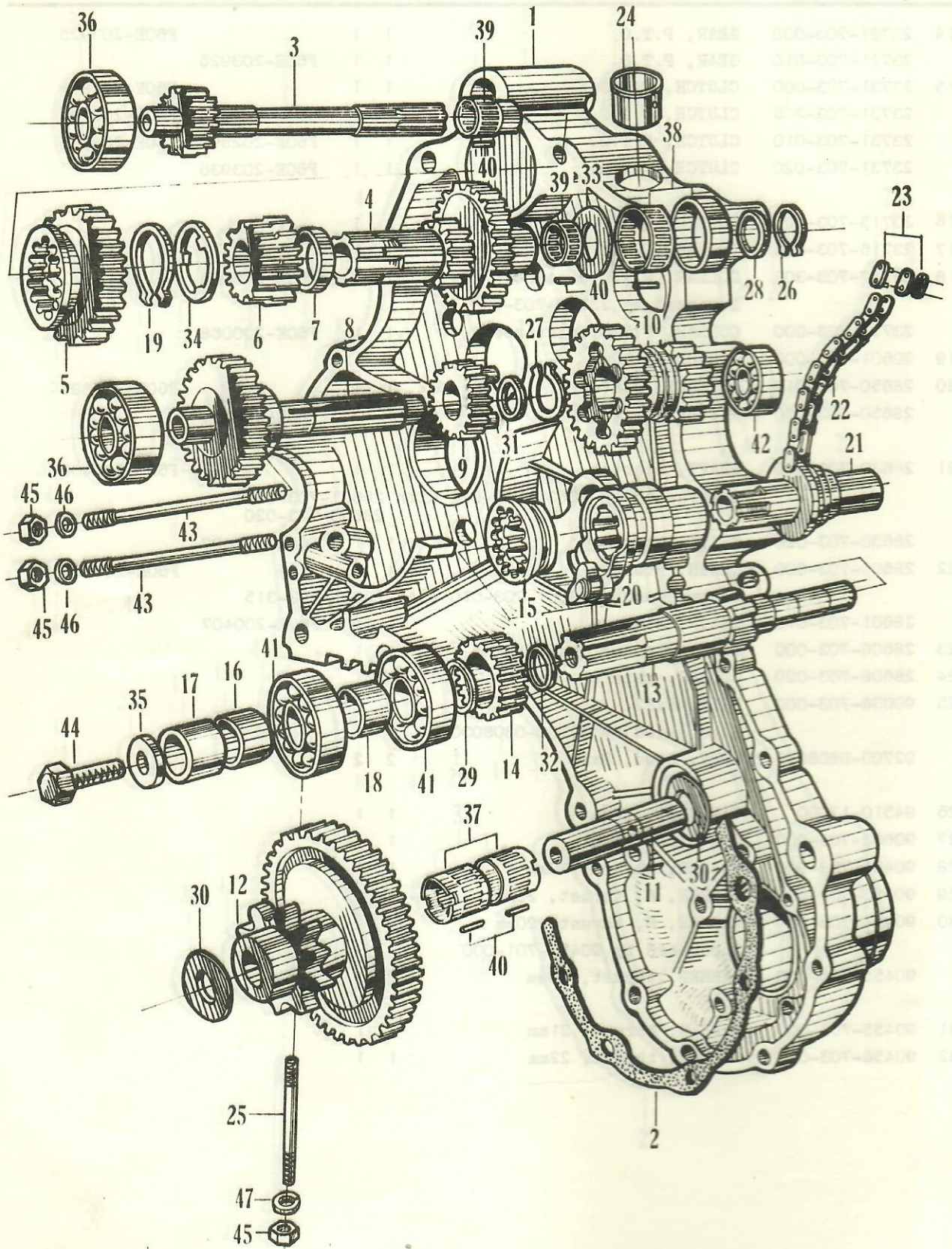
E-5 Right Case



E-5 Right Case

Ref. No.	Part No.	Description	Reqd. No.		Serial No.
			F60 VI	VII	
14	23721-703-000	GEAR, P.T.O.	1	1	F60E-203925
	23721-703-010	GEAR, P.T.O.	1	1	F60E-203926
15	23731-703-000	CLUTCH, P.T.O.	1	1	F60E-202897
	23731-703-305	CLUTCH, P.T.O.	1	1	F60E-202897
	23731-703-010	CLUTCH, P.T.O.	1	1	F60E-202898
	23731-703-020	CLUTCH, P.T.O.	1	1	F60E-203936
16	23715-703-000	COLLAR, P.T.O. shaft	1	1	
17	23716-703-000	COLLAR, P.T.O.	1	1	
18	23717-703-303	COLLAR, P.T.O. distance	1	1	F60E-200068
		Superseded by 23717-703-000			
	23717-703-000	COLLAR, P.T.O. distance	1	1	F60E-200068
19	90601-701-000	CIR-CLIP, 30mm	1	1	
20	28650-703-010	RATCHET, stater	1	1	F60E-202897
	28650-703-020	RATCHET, stater	1	1	F60E-202898
21	28630-703-010	SHAFT, starter	1	1	F60E-200406
		Superseded by 28630-703-020 with			
		28601-703-010			
		28650-703-020			
	28630-703-020	SHAFT, starter	1	1	F60E-200407
22	28601-703-000	CHAIN, starter	1	1	F60E-200406
		Superseded by 28601-703-010 with			
		28605-703-315			
	28601-703-010	CHAIN, starter	1	1	F60E-200407
23	28606-703-000	LINK, starter chain joint	1	1	
24	28608-703-020	COLLAR, chield	1	1	
25	90036-703-000	BOLT, 8x82	2	2	
		Superseded by 92700-0808030			
	92700-0808030	BOLT, stud, 8x80	2	2	
26	94510-17000	CIR-CLIP, 17mm	1	1	
27	90602-703-000	CIR-CLIP, 21mm	1	1	
28	90451-703-000	WASHER, thrust, 17mm	1	1	
29	90453-703-000	WASHER, A, thrust, 20mm	1	1	
30	90454-703-000	WASHER, B, thrust, 20mm	2	2	
		Superseded by 90455-701-000			
	90455-701-000	WASHER, thrust, 20mm	2	2	
31	90455-703-000	WASHER, thrust, 21mm	1	1	
32	90456-703-000	WASHER, thrust, 22mm	1	1	

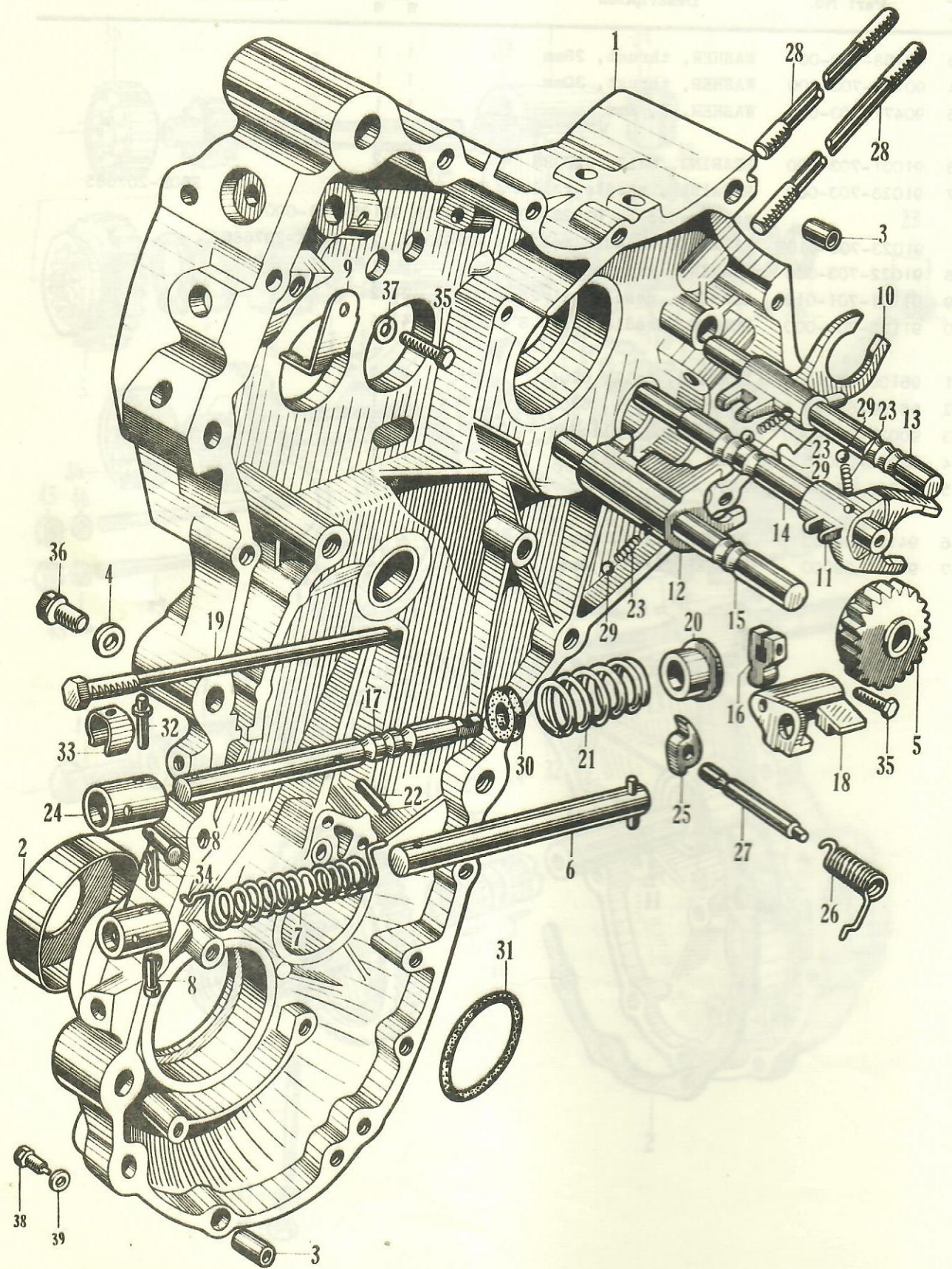
E-5 Right Case



E-5 Right Case

Ref. No.	Part No.	Description	Reqd. No.		Serial No.
			F60 VI	VI	
33	90458-703-000	WASHER, thrust, 28mm	1	1	
34	90459-703-000	WASHER, thrust, 30mm	1	1	
35	90471-703-000	WASHER, B, 8mm	1	1	
36	91001-703-000	BEARING, ball, 6203RS	2	2	
37	91023-703-000	RETAINER, needle roller, 202423	2	2	F60E-207685
		superseded by 91023-703-010 with 91105-701-000			
	91023-703-010	RETAINER, needle roller, 202423	2	2	F60E-207686
38	91022-703-000	BEARING, main shaft	1	1	
39	91131-701-010	BEARING, needle, 21/25mm	2	2	
40	91105-701-000	ROLLER, needle, 2x13.8	44	44	
41	96100-62040	BEARING, ball, 6204	2	2	
42	96100-63020	BEARING, ball, 6302	1	1	
43	90031-703-000	BOLT, stud cylinder	2	2	
44	92000-08025	BOLT, hex., 8x25	1	1	
45	94001-08000	NUT, hex., 8mm	4	4	
46	94101-08000	WASHER, flat, 8mm	2	2	
47	94111-08000	WASHER, spring 8mm	2	2	

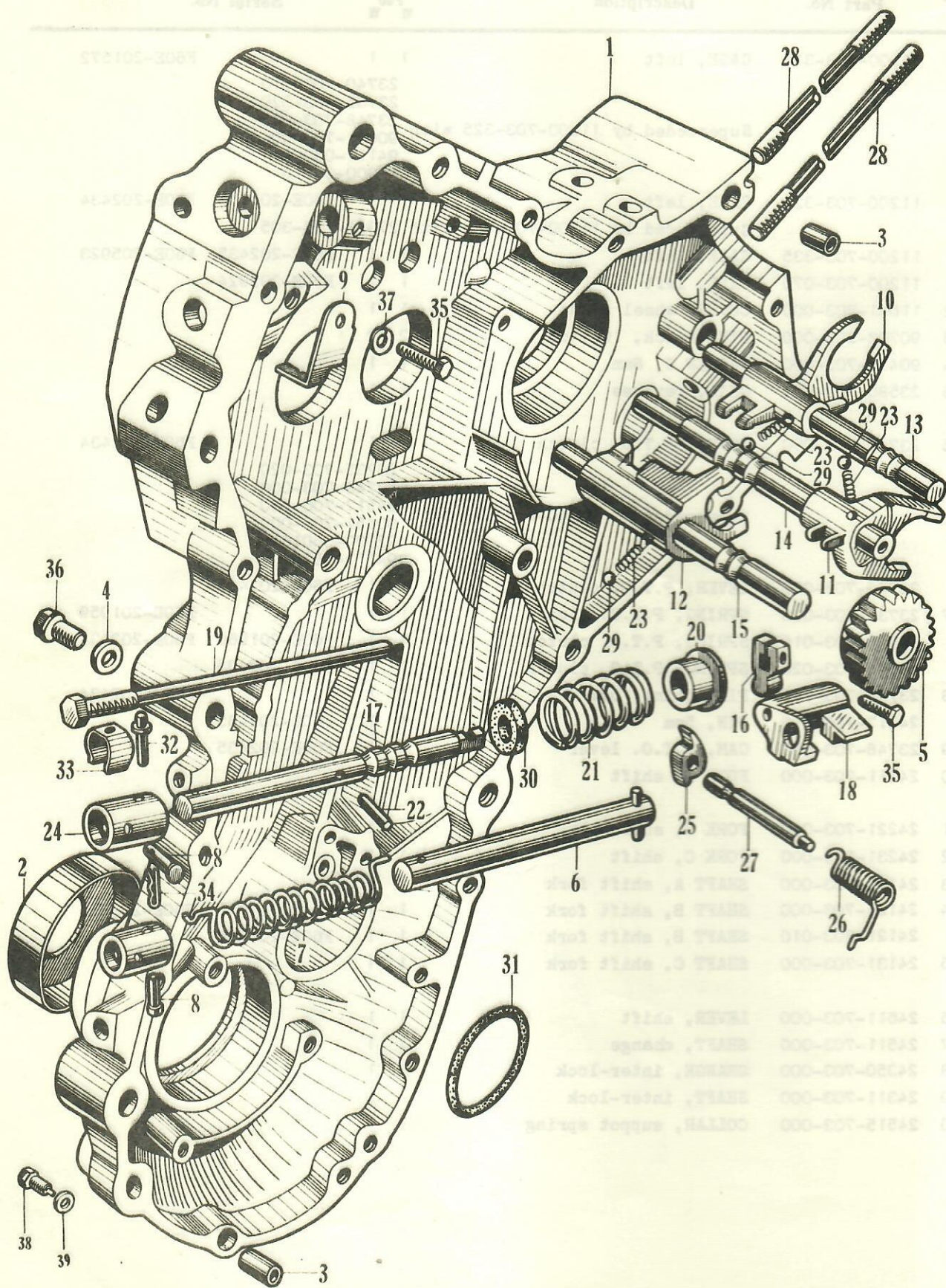
E-6 Left Case



E-6 Left Case

Ref. No.	Part No.	Description	Reqd. No.		Serial No.
			F60 VI	VI	
1	11200-703-315	CASE, left	1	1	F60E-201572
					23740-703-010
					23735-703-020
		Superseded by 11200-703-325 with			23748-703-000
					90651-700-000
					94111-06000
					92000-06016
	11200-703-325	CASE, left	1	1	F60E-201573 F60E-202434
		Superseded by 11200-703-335 with			27321-703-305
	11200-703-335	CASE, left	1	1	F60E-202435 F60E-205923
	11200-703-070	CASE, left	1	1	F60E-205924
2	11641-703-000	COVER, wheel shaft	1	1	
3	90703-200-000	PIN, knock, 10x14mm	2	2	
4	90475-703-000	WASHER C, 8mm	1	1	
5	23580-703-000	GEAR, reverse	1	1	
6	23740-703-000	LEVER, P.T.O. clutch	1	1	F60E-202434
					23735-703-020
					23748-703-000
		Superseded by 23740-703-010 with			24517-700-000
					90651-700-000
					92000-06016
					94111-06000
	23740-703-010	LEVER, P.T.O. clutch	1	1	F60E-202435
7	23735-703-000	SPRING, P.T.O. clutch	1	1	F60E-201959
	23735-703-010	SPRING, P.T.O. clutch	1	1	F60E-201960 F60E-202434
	23735-703-020	SPRING, P.T.O. clutch	1	1	F60E-202435
8	23793-703-000	PIN, joint, 5mm	1	1	F60E-202434
	24517-700-010	PIN, 5mm	1	1	F60E-202435
9	23748-703-000	CAM, P.T.O. lever	1	1	F60E-202435
10	24211-703-000	FORK A, shift	1	1	
11	24221-703-000	FORK B, shift	1	1	
12	24231-703-000	FORK C, shift	1	1	
13	24111-703-000	SHAFT A, shift fork	1	1	
14	24121-703-000	SHAFT B, shift fork	1	1	F60E-203935
	24121-703-010	SHAFT B, shift fork	1	1	F60E-203936
15	24131-703-000	SHAFT C, shift fork	1	1	
16	24611-703-000	LEVER, shift	1	1	
17	24511-703-000	SHAFT, change	1	1	
18	24350-703-000	CHANGE, inter-lock	1	1	
19	24311-703-000	SHAFT, inter-lock	1	1	
20	24515-703-000	COLLAR, suppot spring	1	1	

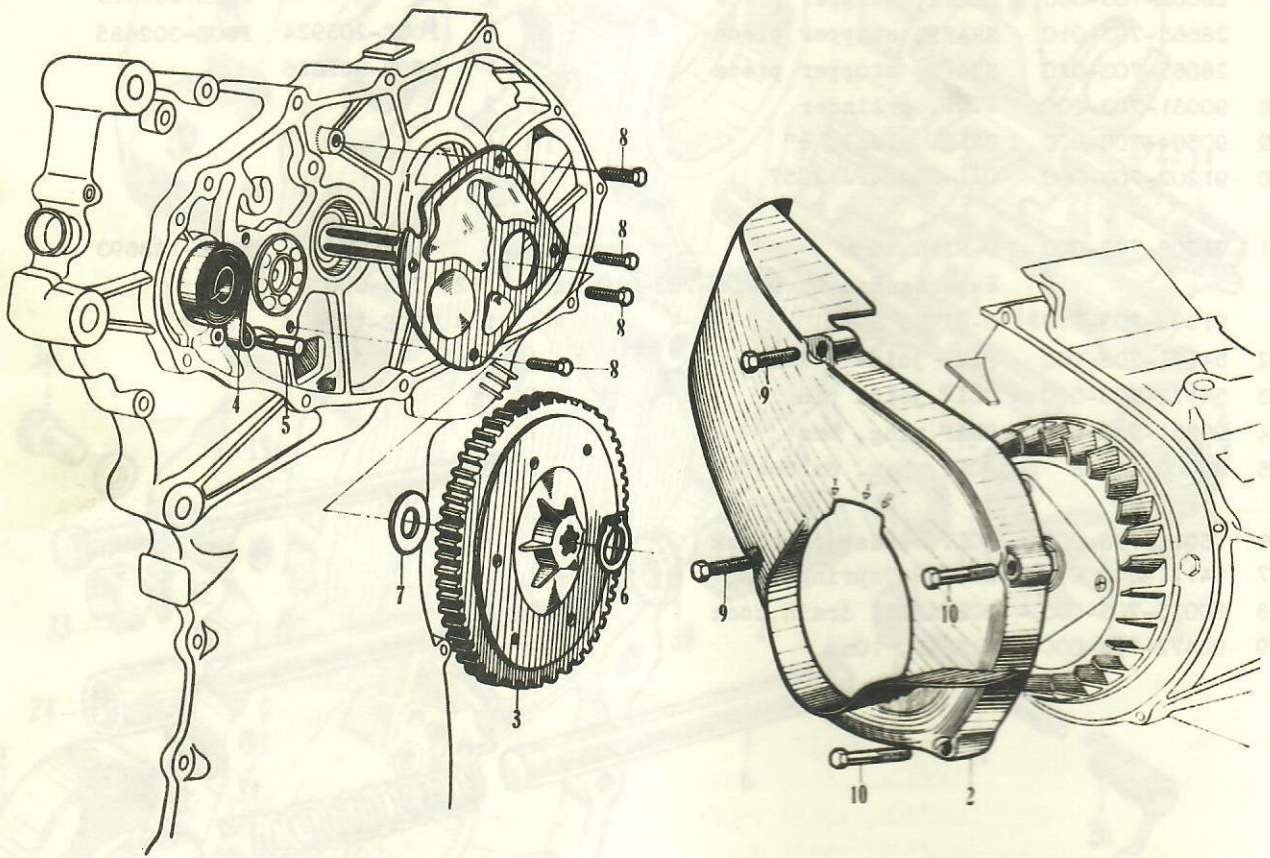
E-6 Left Case



E-6 Left Case

Ref. No.	Part No.	Description	Reqd. No.		Serial No.
			F60 VI	VII	
21	24516-703-000	SPRING, support	1	1	
22	24517-703-000	PIN, 5mm	1	1	
23	24271-703-000	SPRING, ball setting	3	3	
		Superseded by 24271-700-000			
	24271-700-000	SPRING, ball setting	3	3	
24	24531-700-010	JOINT, change shift	1	1	
25	28655-703-000	PIECE, starter stopper	1	1	
26	28666-703-000	SPRING, stopper piece	1	1	
27	28665-703-000	SHAFT, stopper piece	1	1	F60E-205923
	28665-703-010	SHAFT, stopper piece	1	1	F60E-205924 F60E-302685
	28665-703-020	SHAFT, stopper piece	1	1	F60E-302686
28	90031-703-000	STUD, cylinder	2	2	
29	90504-700-000	BALL, steel, 1/4"	4	4	
30	91202-703-000	OIL-SEAL, PJ12257	1	1	
31	91308-703-000	O-RING, 40mm	1	1	F60E-113693
		Superseded by 91308-703-010 with 91320-703-000			
	91308-703-010	O-RING, 39mm	1	1	F60E-113694
32	54171-703-000	PIN, joint, 5x28mm	1	1	
33	54172-703-000	CLIP, joint pin	1	1	
34	90651-700-000	SNAP, ring, 5mm	1	1	
35	92000-06016	BOLT, hex, 6x16mm	2	2	
36	15911-703-000	BOLT, pressure check	1	1	
37	94111-06000	WASHER, spring, 6mm	1	1	
38	90015-703-000	BOLTASSY, drain cock	1	1	
39	90472-703-000	WASHER, 10mm	1	1	

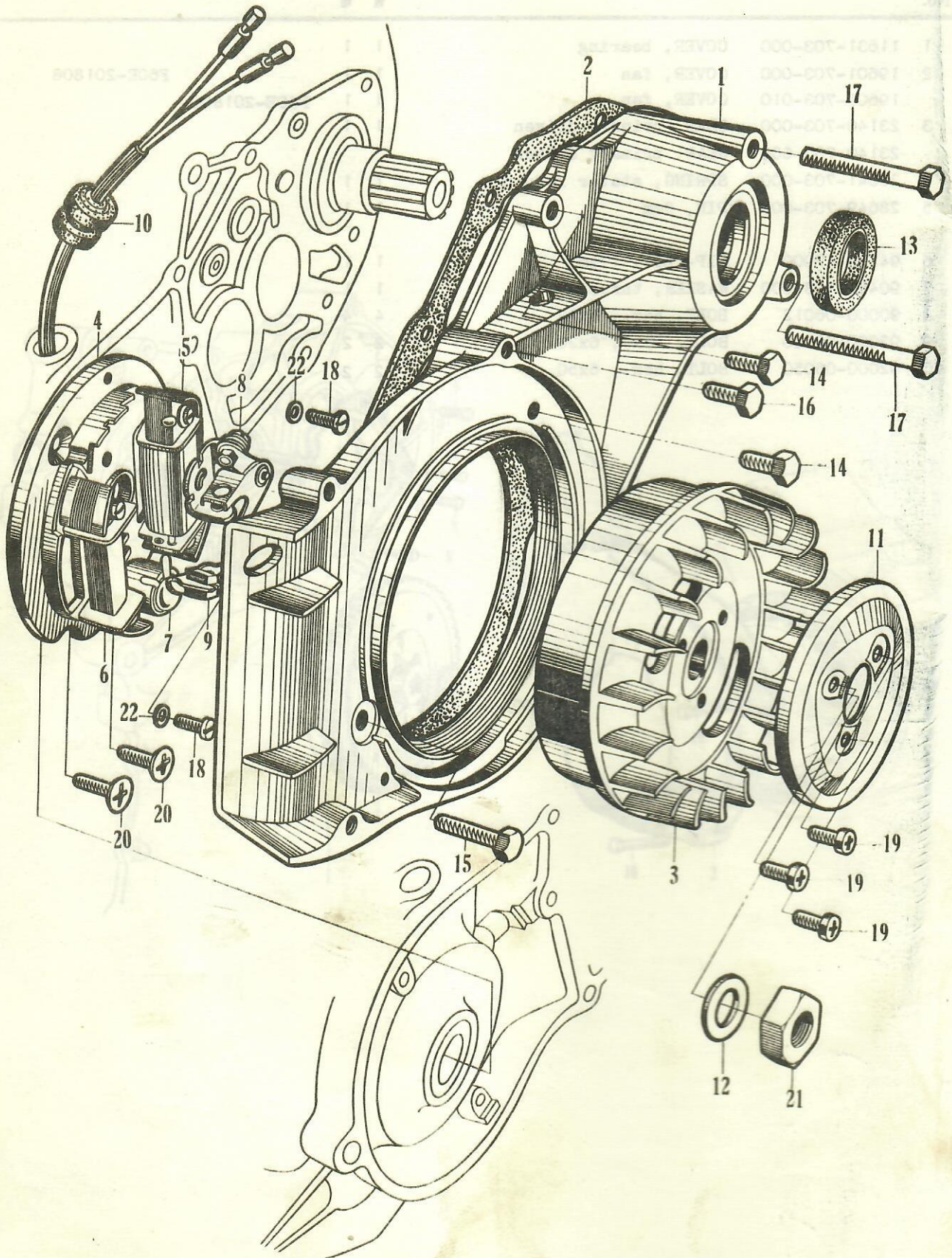
E-7 Fan Cover



E-7 Fan Cover

Ref. No.	Part No.	Description	Reqd. No. F60 VI VII	Serial No.
1	11631-703-000	COVER, bearing	1 1	
2	19601-703-000	COVER, fan	1 1	F60E-201808
	19601-703-010	COVER, fan	1 1	F60E-201809
3	23140-703-000	GEAR, primary driven	1 1	
	23140-703-600	GEAR, primary driven		
4	28641-703-000	SPRING, stator return	1 1	
5	28649-703-000	PIN, 8mm	1 1	
6	94510-17000	CIP-CLIP, 17mm	1 1	
7	90451-703-000	WASHER, thrust, 17mm	1 1	
8	90000-06012	BOLT, hex., 6x12	4 4	
9	92000-06020	BOLT, hex., 6x20	2 2	
10	92000-06050	BOLT, hex., 6x50	2 2	

E-8 Generator

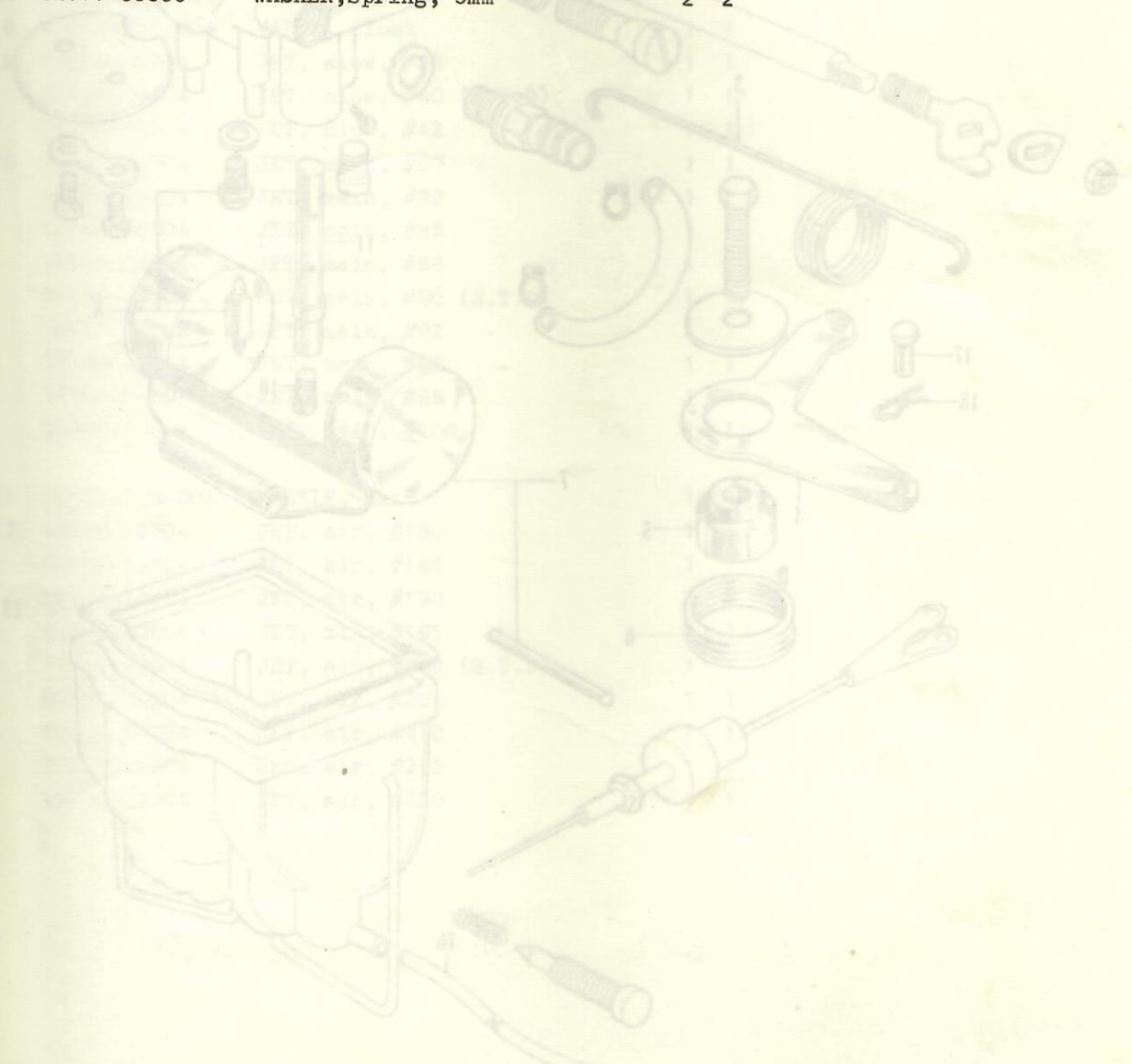


E-8 Generator

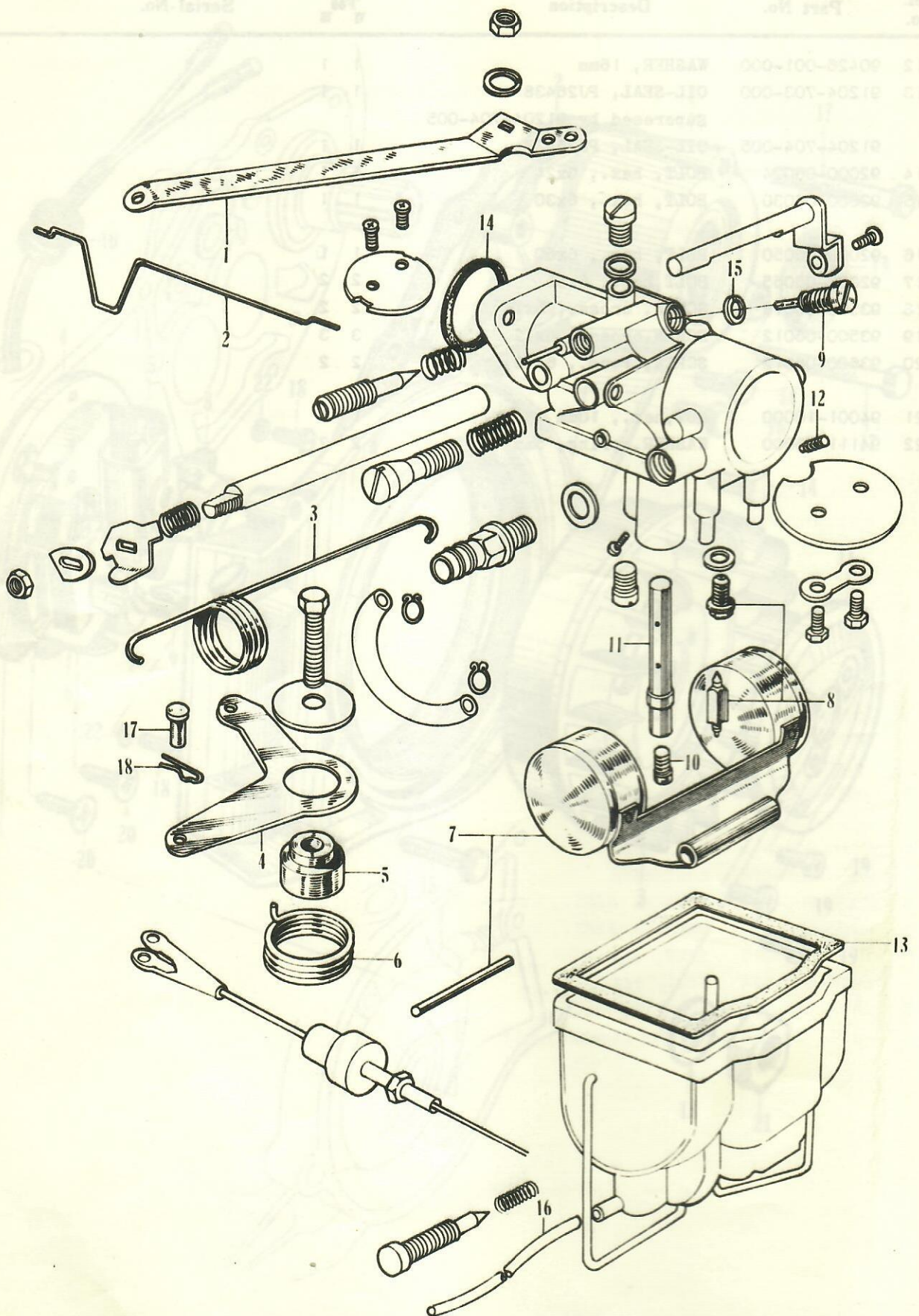
Ref. No.	Part No.	Description	Reqd. No.		Serial No.
			F60	VH	
1	11400-703-313	COVER, left Superseded by 11400-703-314 with 63610-703-304	1	1	F60E-200380
	11400-703-314	COVER, left	1	1	F60E-200381
	11400-703-323	COVER, left	1	1	F60E-201573
	11400-703-343	COVER, left Superseded by 11400-703-050	1	1	F60E-201809
	11400-703-050	COVER, left	1	1	F60E-201809
2	11491-703-010	PACKING, cover, left	1	1	F60E-201572
	11491-703-020	PACKING, cover, left	1	1	F60E-201573
	31100-703-000	GENERATOR ASSY., flywheel Superseded by 31100-703-020	1	1	F60E-201808
	31100-703-010	GENERATOR ASSY., flywheel Superseded by 31100-703-020	1	1	F60E-201809
	31100-703-020	GENERATOR ASSY., flywheel	1	1	F60E-207060
3	31101-703-003	FLYWHEEL Superseded by 31101-703-013	1	1	F60E-201808
	31101-703-013	FLYWHEEL	1	1	F60E-201809
	31101-703-004	FLYWHEEL Superseded by 31101-703-014	1	1	F60E-201808
	31101-703-014	FLYWHEEL	1	1	F60E-201809
4	31102-703-003	STATOR ASSY.	1	1	F60E-201808
	31102-703-013	STATOR ASSY.	1	1	F60E-201809
	31102-703-004	STATOR ASSY.	1	1	F60E-201808
	31102-703-014	STATOR ASSY.	1	1	F60E-201809
5	30540-001-103	COIL, primary	1	1	
	30540-001-104	COIL, primary	1	1	
6	31631-703-003	COIL, light	1	1	
	31631-703-004	COIL, light	1	1	
7	30250-001-013	CONDENSER	1	1	
	30250-001-024	CONDENSER	1	1	
8	30230-705-000	BREAKER ASSY., contact	1	1	
	30202-001-024	BREAKER ASSY., contact	1	1	
9	30205-001-013	FELT, oil	1	1	
	30205-001-024	FELT, oil	1	1	
10	32951-703-000	GROMMET, cord	1	1	
11	31122-703-000	COVER, flywheel magneto	1	1	

E-8 Generator

Ref. No.	Part No.	Description	Reqd. No.		Serial No.
			F60 VI	VII	
12	90426-001-000	WASHER, 16mm	1	1	
13	91204-703-000	OIL-SEAL, PJ26438	1	1	
		Superseded by 91204-704-005			
	91204-704-005	OIL-SEAL, PJ26438	1	1	
14	92000-06024	BOLT, hex., 6x24	1	1	
15	92000-06030	BOLT, hex., 6x30	1	1	
16	92000-06050	BOLT, hex., 6x50	1	1	
17	92000-06055	BOLT, hex., 6x55	2	2	
18	93500-05016	SCREW, cross., 5x16	2	2	
19	93500-06012	SCREW, cross., 6x12	3	3	
20	93600-06012	SCREW, cross., 6x12	2	2	
21	94001-10000	NUT, hex., 10mm	1	1	
22	94111-05000	WASHER, spring, 5mm	2	2	



E-9 Carburetter



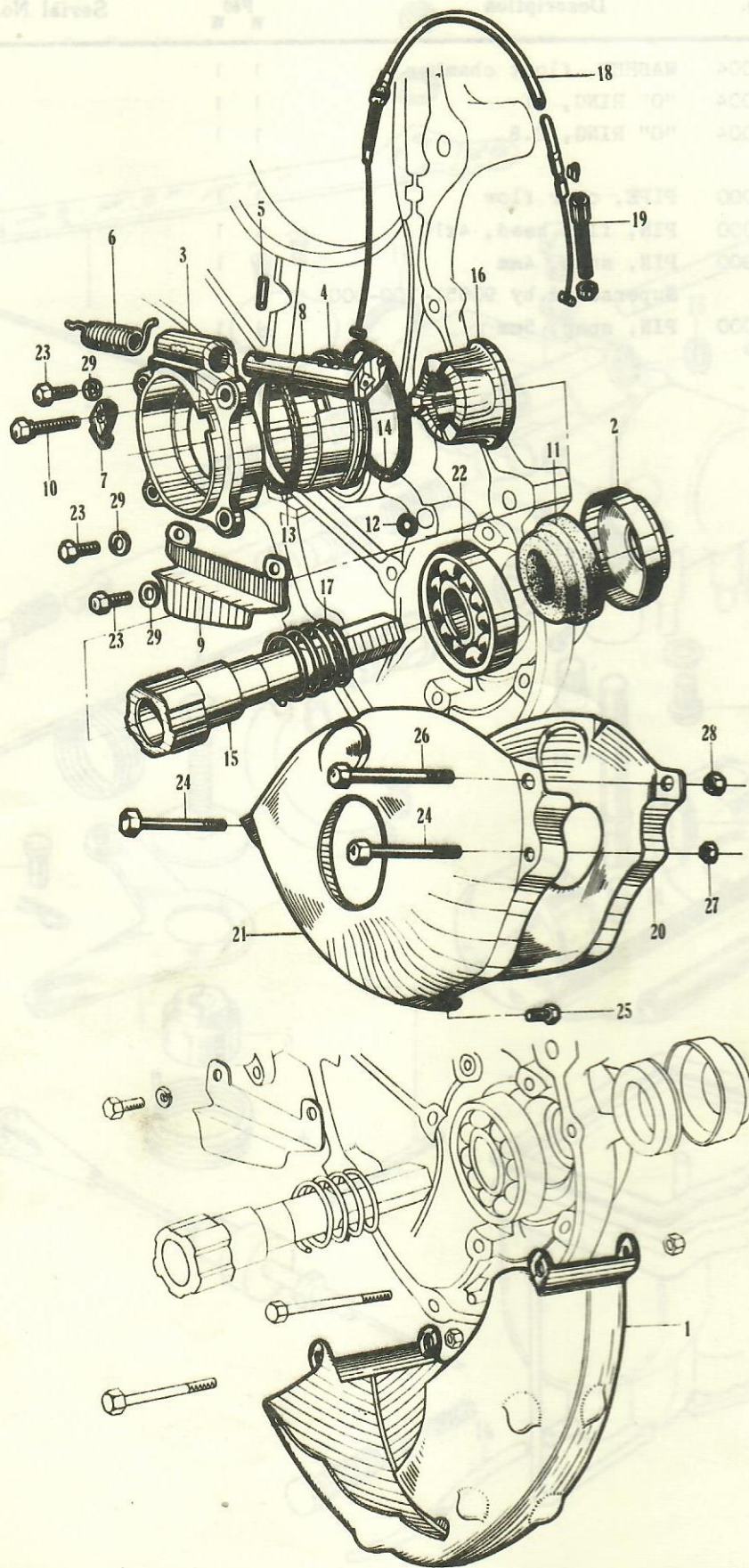
E-9 Carburetter

Ref. No.	Part No.	Description	Reqd. No.		Serial No.
			F60	VI	
1	16540-703-000	ARM B, governor	1	1	F60E-201061
	16540-703-010	ARM B, governor	1	1	F60E-201062
2	16545-703-000	ROD, governor	1	1	F60E-201061
	16545-703-010	ROD, governor	1	1	F60E-201062
3	16551-703-000	SPRING, governor	1	1	F60E-201061
	16551-703-020	SPRING, governor	1	1	F60E-201062
4	16592-703-000	PLATE, link	1	1	F60E-201061
	16592-703-010	PLATE, link	1	1	F60E-201062
5	16593-703-000	COLLAR, link plate	1	1	F60E-201061
	16593-703-010	COLLAR, link plate	1	1	F60E-201062
6	16594-703-000	SPRING, throttle wire return	1	1	F60E-201061
	16594-703-010	SPRING, throttle wire return	1	1	F60E-201062
	16100-703-000	CARBURETTER ASSY	1	1	
7	16271-202-004	FLOAT	1	1	
8	16123-011-004	VALVE, float	1	1	
9	99126-03804	JET, slow, #38	1	1	
	99126-04004	JET, slow, #40 (S.T.D)	1	1	
	99126-04204	JET, slow, #42	1	1	
10	99106-08004	JET, main, #80	1	1	
	99106-08204	JET, main, #82	1	1	
	99106-08504	JET, main, #85	1	1	
	99106-08804	JET, main, #88	1	1	
	99106-09004	JET, main, #90 (S.T.D)	1	1	
	99106-09204	JET, main, #92	1	1	
	99106-09504	JET, main, #95	1	1	
	99106-09804	JET, main, #98	1	1	
	99106-10004	JET, main, #100	1	1	
	11	16134-703-004	NOZZLE, main	1	1
12	99156-18004	JET, air, #180	1	1	
	99156-18504	JET, air, #185	1	1	
	99156-19004	JET, air, #190	1	1	
	99156-19504	JET, air, #195	1	1	
	99156-20004	JET, air, #200 (S.T.D)	1	1	
	99156-20504	JET, air, #205	1	1	
	99156-21004	JET, air, #210	1	1	
	99156-21504	JET, air, #215	1	1	
	99156-22004	JET, air, #220	1	1	

E-9 Carburetter

Ref. No.	Part No.	Description	Reqd. No.		Serial No.
			F60 VI	VI	
13	16172-030-004	WASHER, float chamber	1	1	
14	16173-700-004	"O" RING, 21	1	1	
15	16175-260-004	"O" RING, 2.8	1	1	
16	16235-703-000	PIPE, over flow	1	1	
17	90751-703-000	PIN, flat head, 4x10	1	1	
18	90653-701-000	PIN, snap, 4mm	1	1	
		Superseded by 90651-700-000			
	90651-700-000	PIN, snap, 5mm	1	1	

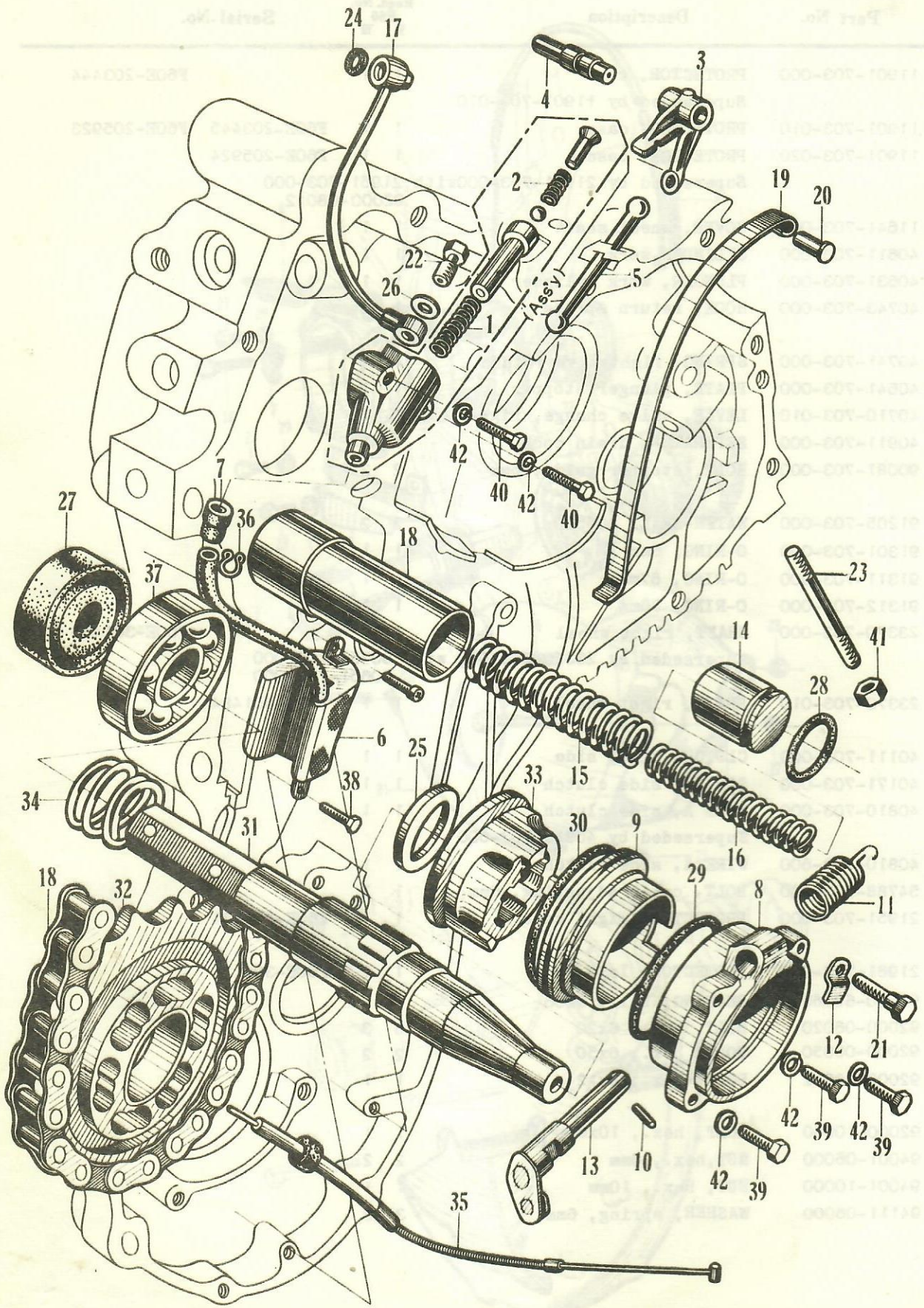
E-10 Right Side Clutch



E-10 Right Side Clutch

Ref. No.	Part No.	Description	Reqd. No.		Serial No.
			F60 VI	VI	
1	11901-703-000	PROTECTOR, case Superseded by 11901-703-010	1	1	F60E-203444
	11901-703-010	PROTECTOR, case	1	1	F60E-203445 F60E-205923
	11901-703-020	PROTECTOR, case Superseded by 21951-703-000with	1	1	F60E-205924
					21961-703-000 92000-08012
2	11641-703-000	COVER, wheel shaft	1	1	
3	40611-703-000	CYLINDER, work	1	1	
4	40631-703-000	PLUNGER, work cylinder	1	1	
5	40743-703-000	HOOK, return spring	1	1	
6	40741-703-000	SPRING, rightvalve return	1	1	
7	40641-703-000	PLATE, plunger stopper	1	1	
8	40710-703-010	LEVER, valve change, right	1	1	
9	40911-703-000	SEPERATER, drain cock	1	1	
10	90081-703-000	BOLT, stopper guide, 6mm	2	2	
11	91205-703-000	WATER-SEAL, 305520	2	2	
12	91301-703-000	O-RING, 6mm	1	1	
13	91311-703-000	O-RING, 67mm	1	1	
14	91312-703-000	O-RING, 76mm	1	1	
15	23370-703-000	SHAFT, right wheel Superseded by 23370-703-010 with	1	1	F60E-301483
					90754-703-000 90651-703-000
	23370-703-010	SHAFT, right wheel	1	1	F60E-301484
16	40111-703-000	CLUTCH, right side	1	1	
17	40171-703-000	SPRING, side clutch	1	1	
18	40810-703-000	WIRE A, side clutch Superseded by 40810-703-600	1	1	
	40810-703-600	WIRE A, side clutch	1	1	
19	54788-703-000	BOLT, outer adjusting, 6mm	1	1	
20	21951-703-000	PROTECTOR, right case	1	1	F60E-304131
21	21961-703-000	PROTECTOR, left case	1	1	F60E-304131
22	96100-62060	BEARING, ball, 6206	1	1	
23	92000-06020	BOLT, hex., 6x20	3	3	
24	92000-06050	BOLT, hex., 6x50	2	2	
25	92000-08012	BOLT, hex., 8x12	1	1	
26	92000-10060	BOLT, hex., 10x60	1	1	
27	94001-06000	NUT, hex., 6mm	2	2	
28	94001-10000	NUT, hex., 10mm	1	1	
29	94111-06000	WASHER, spring, 6mm	3	3	

E-11 Left Side Clutch



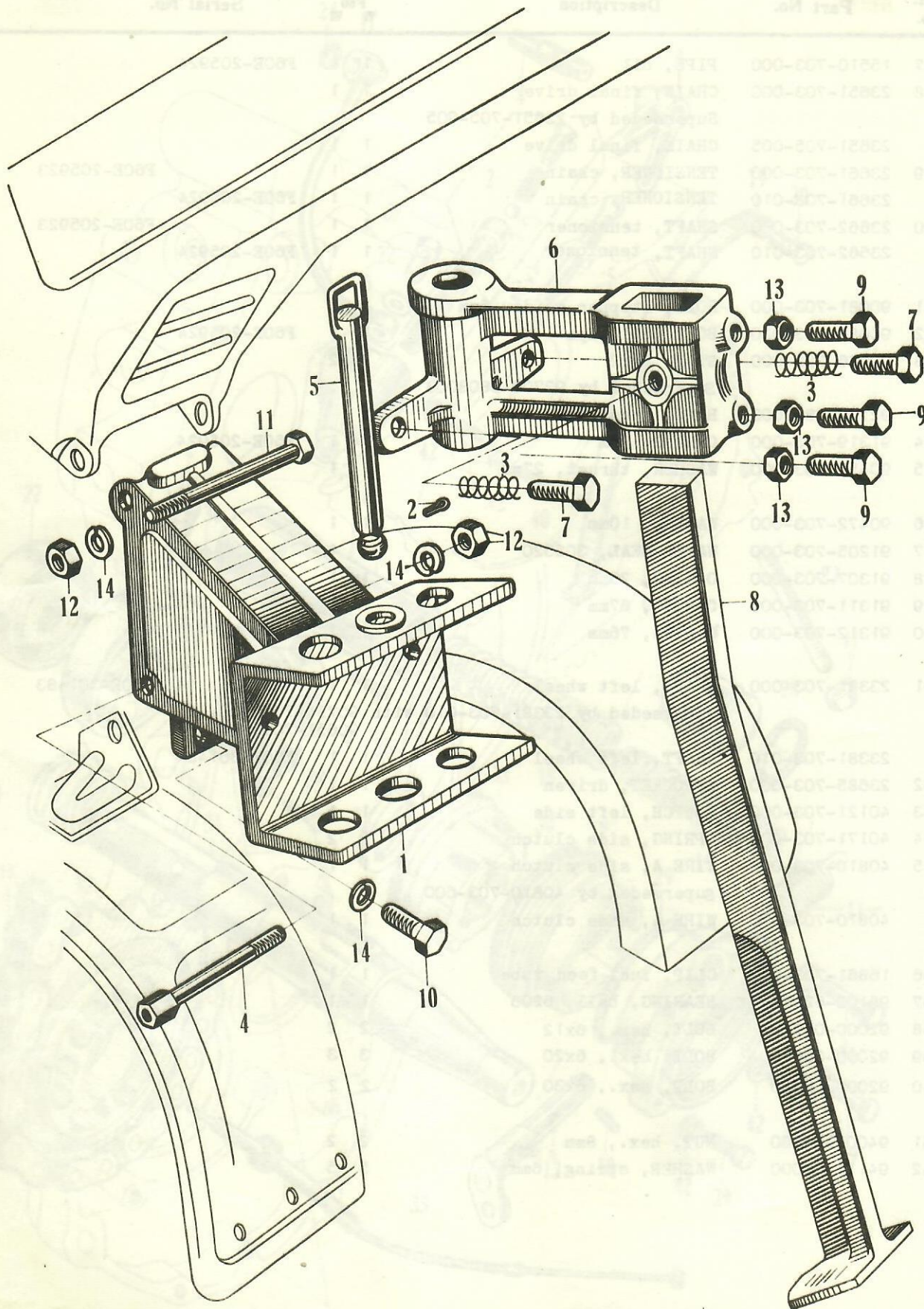
E-11 Left Side Clutch

Ref. No.	Part No.	Description	Reqd. No.		Serial No.
			F60 VI	VI	
	15200-703-010	PUMP ASSY, oil	1	1	F60E-202434
	15200-703-020	PUMP ASSY, oil	1	1	F60E-202435 F60E-205923
	15200-703-030	PUMP ASSY, oil	1	1	F60E-205924 F60E-112412
	15200-703-050	PUMP ASSY, oil	1	1	F60E-112413 F60E-113512
		Superseded by 15200-703-060			
	15200-703-060	PUMP ASSY., oil	1	1	F60E-113513
		Superseded by 15200-703-070			
	15200-703-070	PUMP ASSY., oil	1	1	
1	15251-703-000	SPRING, pump plunger	1	1	F60E-205923
	15251-703-010	SPRING, pump plunger	1	1	F60E-205924 F60E-113512
	15251-703-020	SPRING, pump plunger	1	1	F60E-113513
2	15825-703-000	SPRING, relief valve	1	1	F60E-205923
	15825-703-030	SPRING, relief valve	1	1	F60E-205924
3	15282-703-303	ARM, pump rocker	1	1	
		Superseded by 15282-705-000			
	15282-705-000	ARM, pump rocker	1	1	
4	15284-703-000	SHAFT, pump rocker arm	1	1	
5	15281-703-000	ROD, pump push	1	1	F60E-113512
	15281-703-010	ROD, pump push	1	1	F60E-113513
6	15420-703-000	FILTER, oil	1	1	F60E-202434
	15420-703-010	FILTER, oil	1	1	F60E-202435 F60E-205923
	15420-703-020	FILTER, oil	1	1	F60E-205924 F60E-112412
	15420-703-030	FILTER, oil	1	1	F60E-112413
		Superseded by 15420-703-040			
	15420-703-040	FILTER, oil	1	1	
7	15439-703-000	RUBBER, suction pipe setting	1	1	F60E-202435
8	40611-703-000	CYLINDER, work	1	1	
9	40631-703-000	PLUNGER, work cylinder	1	1	
10	40743-703-000	HOOK, return spring	1	1	
11	40742-703-000	SPRING, valve return	1	1	
12	40641-703-000	PLATE, plunger stopper	1	1	
13	40720-703-010	LEVER, valve change	1	1	
14	40681-703-000	PISTON, pressure	1	1	
15	40685-703-000	SPRING A, pressure	1	1	
16	40686-703-000	SPRING B, pressure	1	1	

E-11 Left Side Clutch

Ref. No.	Part No.	Description	Reqd. No.		Serial No.
			F60 VI	VI	
17	15510-703-000	PIPE, oil	1	1	F60E-205924
18	23651-703-000	CHAIN, final drive	1	1	
		Superseded by 23651-705-005			
	23651-705-005	CHAIN, final drive	1	1	
19	23661-703-000	TENSIONER, chain	1	1	F60E-205923
	23661-703-010	TENSIONER, chain	1	1	F60E-205924
20	23662-703-000	SHAFT, tensioner	1	1	F60E-205923
	23662-703-010	SHAFT, tensioner	1	1	F60E-205924
21	90081-703-000	BOLT, stopper guide, 6mm	1	1	
22	90082-703-020	BOLT, oil pipe	1	1	F60E-205924
23	90036-703-000	STUD, 8x82	2	2	
		Superseded by 92700-0808003			
	92700-0808003	BOLT, stud, 8x80			
24	91319-703-000	O-RING, 8mm	1	1	F60E-205924
25	90457-703-000	WASHER, thrust, 27mm	1	1	
26	90472-703-000	WASHER, 10mm	1	1	
27	91205-703-000	WATER-SEAL, 305520	1	1	
28	91307-703-000	O-RING, 26mm	1	1	
29	91311-703-000	O-RING, 67mm	1	1	
30	91312-703-000	O-RING, 76mm	1	1	
31	23381-703-000	SHAFT, left wheel	1	1	F60E-301483
		Superseded by 23381-703-010 with			
		90754-703-000			
		90651-703-000			
	23381-703-010	SHAFT, left wheel	1	1	F60E-301484
32	23685-703-000	SPROCKET, driven	1	1	
33	40121-703-000	CLUTCH, left side	1	1	
34	40171-703-000	SPRING, side clutch	2	2	
35	40810-703-000	WIRE A, side clutch	1	1	
		Superseded by 40810-703-600			
	40810-703-600	WIRE A, side clutch	1	1	
36	16861-703-000	CLIP, fuel feed tube	1	1	
37	96100-62060	BEARING, ball, 6206	1	1	
38	92000-06012	BOLT, hex., 6x12	2	2	
39	92000-06020	BOLT, hex., 6x20	3	3	
40	92000-06030	BOLT, hex., 6x30	2	2	
41	94001-08000	NUT, hex., 8mm	2	2	
42	94111-06000	WASHER, spring, 6mm	5	5	

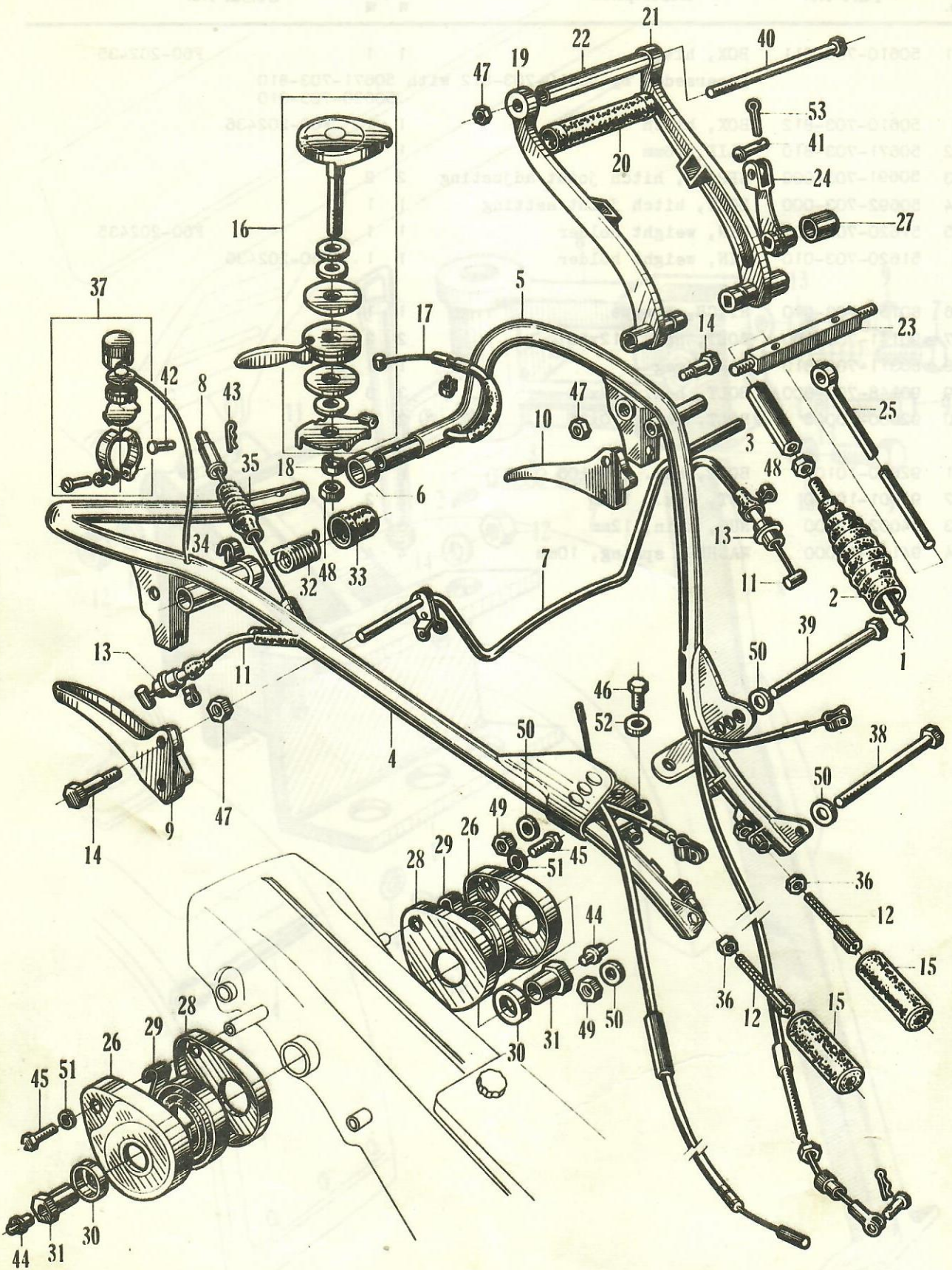
F-1 Hitch



F-1 Hitch

Part No.	Description	Reqd. No.		Serial No.
		F60 VI	VI	
1 50610-703-811	BOX, hitch Superseded by 50610-703-812 with	1	1	F60-202435
		50671-703-810		
		50620-703-010		
50610-703-812	BOX, hitch	1	1	F60-202436
2 50671-703-810	CLIP, 16mm	1	1	
3 50691-703-000	SPRING, hitch joint adjusting	2	2	
4 50692-703-000	BOLT, hitch joint setting	1	1	
5 51620-703-000	PIN, weight holder	1	1	F60-202435
51620-703-010	PIN, weight holder	1	1	F60-202436
6 80151-703-810	HITCH, B type	1	1	
7 90141-703-600	BOLT, hex., 12x50	2	2	
8 80311-703-810	BAR, drag	1	1	
9 90148-700-000	BOLT, hex., 12x38	3	3	
10 92000-10025	BOLT, hex., 10x25	2	2	
11 92000-10100	BOLT, hex., 10x100	1	1	
12 94001-10000	NUT, hex., 10mm	2	2	
13 94002-12000	NUT, thin, 12mm	3	3	
14 94111-10000	WASHER, spring, 10mm	4	4	

F-2 (1) Handle



F-2 (1) Handle

Ref. No.	Part No.	Description	Reqd. No.		Serial No.
			F60 VI	VI	
1	28605-703-000	END, starter chain Superseded by 28605-703-315 with 28601-703-010	1		F60-200406
	28605-703-315	END, starter chain	1		F60-200406
	28605-703-010	END, starter chain	1	F60-200407	
2	28607-703-000	BOOT, starter chain	1		
3	28606-700-000	JOINT, starter chain	1		
4	53110-703-000	PIPE, handle, right	1		F60-204913
	53110-703-020	PIPE, handle, right	1	F60-204914	
5	53150-703-000	PIPE, handle, left	1		F60-204913
	53150-703-020	PIPE, handle, left	1	F60-204914	
6	53311-703-000	COVER, pipe joint	1		
7	54410-703-000	ARM, main clutch	1		
8	54510-703-000	WIRE, clutch, main	1		
9	54610-703-000	LEVER, right side clutch	1		F60-204913
	54610-703-020	LEVER, right side clutch	1	F60-204914	
10	54620-703-000	LEVER, left side clutch	1		F60-204913
	54620-703-020	LEVER, left side clutch	1	F60-204914	
11	54710-703-010	WIRE, side clutch	2		
12	54788-703-000	BOLT, outer adjusting, 6mm	2		
13	54781-703-000	STOPPER, wire	2		
14	54691-703-000	BOLT, clutch lever hinge	2		
15	54783-703-010	COVER, wire dust	2		
16	17850-703-000	LEVER, throttle	1		
17	17910-703-000	WIRE, throttle	1		
18	17891-700-000	WASHER, throttle lever	1		
19	28530-703-000	HANDLE, starter, right	1		F60-206207
	28530-703-010	HANDLE, starter, right	1	F60-206208	
20	28511-700-010	GRIP, starter handle	1		
21	28540-703-000	HANDLE, starter, left	1		F60-206207
	28540-703-010	HANDLE, starter, left	1	F60-206208	
22	28521-700-040	SHAFT, grip	1		F60-206207

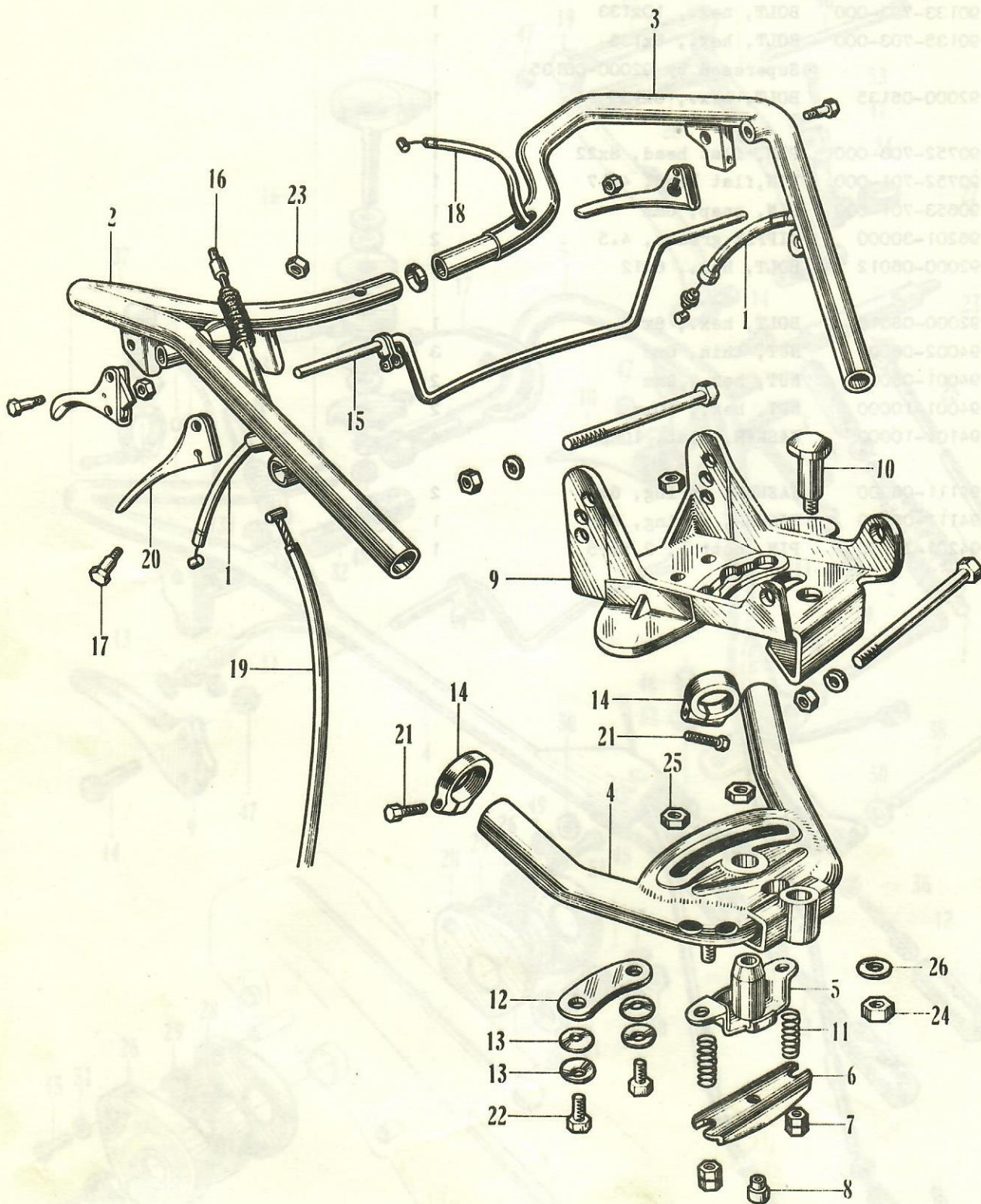
F-2 (1) Handle

Ref. No.	Part No.	Description	Reqd. No. F60 VI VI	Serial No.
	28521-703-000	SHAFT, grip	1	F60-206208
23	28551-703-000	SHAFT, starter handle	1	
24	28561-703-000	ARM, starter	1	F60-208558
		Superseded by 28561-703-010		
	28561-703-010	ARM, starter	1	F60-208559
25	28581-703-000	ROD, starter	1	
26	28573-703-000	COVER, right starter spring	1	F60-200056
		Superseded by 28573-703-020 with 28577-703-010		
	28573-703-010	COVER, right starter spring	1	F60-200057 F60-205804
		Superseded by 28573-703-020 with 28577-703-010		
	28575-703-000	COVER, left starter spring	1	F60-200056
		Superseded by 28573-703-020 with 28577-703-010		
	28575-703-010	COVER, left starter spring	1	F60-200057 F60-205804
		Superseded by 28573-703-020 with 28577-703-010		
	28573-703-020	COVER, starter spring	2	F60-205805
27	28555-700-000	COLLAR, starter shaft distance	1	
28	28577-703-000	COVER, right starter spring shield	1	F60-205804
		Superseded by 28577-703-010 with 28573-703-020		
	28579-703-000	COVER, left starter spring shield	1	F60-205804
		Superseded by 28577-703-010 with 28573-703-020		
	28577-703-010	COVER, starter spring shield	2	F60-205805
29	28571-701-000	SPRING, starter	2	
30	90583-703-000	WASHER, special, 15mm	2	
31	90382-700-000	NUT, special, 10mm	2	
32	54482-701-000	SPRING, main clutch arm	1	
33	54483-701-000	COVER, main clutch arm	1	
34	54460-701-000	PIN, main clutch arm stopper	1	
		Superseded by 54460-701-010		
	54460-701-010	PIN, main clutch arm stopper	1	
35	54583-701-000	BOOT, main clutch wire	1	
36	54782-703-000	NUT, side clutch wire adjusting lock	2	
37	35300-703-000	SWITCH ASSY, horn button	1	
38	90132-703-000	BOLT, hex., 10x123	1	

F-2 (1) Handle

QTY	Part No.	Description	Reqd. No.		Serial No.
			F60	VI VII	
38	90133-703-000	BOLT, hex., 10x133	1	2	703-04-411702 703-11-2304
40	90135-703-000	BOLT, hex., 6x135	1	1	703-04-411702 703-11-2302
		Superseded by 92000-06135			
	92000-06135	BOLT, hex., 6x135	1	2	703-04-411702 703-11-2302
41	90752-703-000	PIN, flat head, 8x22	1		703-04-411702 703-11-2302
42	90752-701-000	PIN, flat head, 4x17	1		703-04-411702 703-11-2302
43	90653-701-000	PIN, snap, 6mm	1		703-04-411702 703-11-2302
44	95201-30000	NIPPLE, grease, 4.5	2		703-04-411702 703-11-2302
45	92000-06012	BOLT, hex., 6x12	2		703-04-411702 703-11-2302
46	92000-08016	BOLT, hex., 8x16	1		703-04-411702 703-11-2302
47	94002-06000	NUT, thin, 6mm	3		703-04-411702 703-11-2302
48	94001-08000	NUT, hex., 8mm	2		703-04-411702 703-11-2302
49	94001-10000	NUT, hex., 10mm	2		703-04-411702 703-11-2302
50	94101-10000	WASHER, flat, 10mm	4		703-04-411702 703-11-2302
51	94111-06000	WASHER, spring, 6mm	2		703-04-411702 703-11-2302
52	94111-08000	WASHER, spring, 8mm	1		703-04-411702 703-11-2302
53	94201-25150	PIN, cotter, 2.5x15	1		703-04-411702 703-11-2302

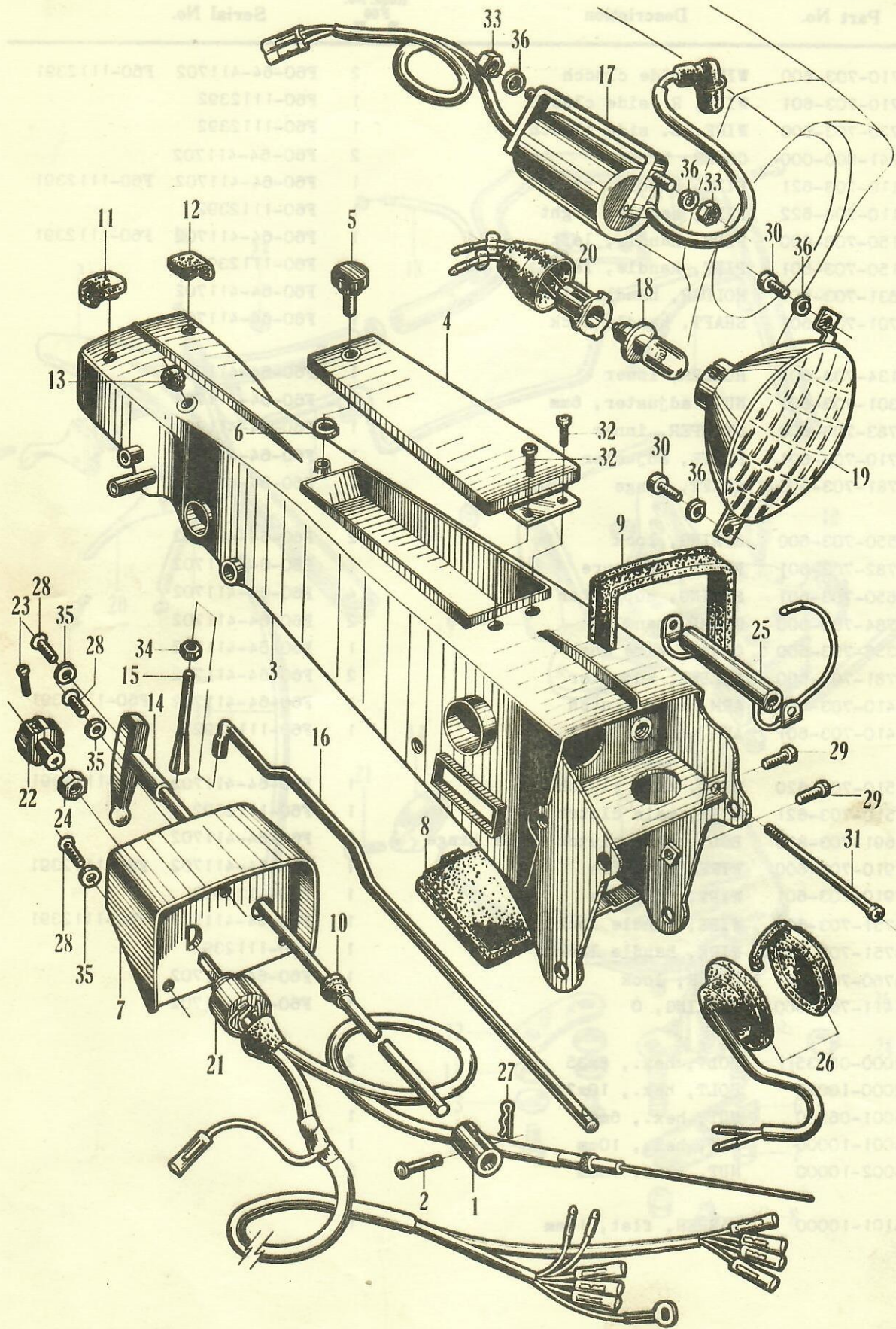
F-2 (2) Handle



F-2 (2) Handle

Qty	Part No.	Description	Reqd. No.		Serial No.
			F60 VI	VI	
1	54710-703-600	WIRE, side clucch	2	F60-64-411702	F60-1112391
	54710-703-601	WIRE, R. side clucch	1	F60-1112392	
	54720-703-600	WIRE, L. side clucch	1	F60-1112392	
	32941-800-000	COVER, binder	2	F60-64-411702	
2	53110-703-621	PIPE, handle, right	1	F60-64-411702	F60-1112391
	53110-703-622	PIPE, handle, right	1	F60-1112392	
3	53150-703-600	PIPE, handle, left	1	F60-64-411702	F60-1112391
	53150-703-601	PIPE, handle, left	1	F60-1112392	
4	53631-703-601	HOLDER, handle pipe	1	F60-64-411702	
5	84701-703-601	SHAFT, handle lock	1	F60-64-411702	
6	80134-703-601	HOLDER, inner	1	F60-64-411702	
7	90301-703-601	NUT, adjuster, 6mm	2	F60-64-411702	
8	53783-703-600	STOPPER, inner	1	F60-64-411702	
9	53710-703-601	PLATE, adjuster	1	F60-64-411702	
10	53781-703-600	SHAFT, hinge	1	F60-64-411702	
11	83550-703-600	SPRING, lock	2	F60-64-411702	
12	53782-703-601	PLATE, pressure	1	F60-64-411702	
13	83650-703-601	SPRING, supporter	4	F60-64-411702	
14	53784-703-600	CLAMP, handle	2	F60-64-411702	
	91356-703-600	COVER, wire dust	1	F60-64-411702	
	90781-703-600	HOLDER, adjuster	2	F60-64-411702	
15	54410-703-600	ARM, main clutch	1	F60-64-411702	F60-1112391
	54410-703-601	ARM, main clutch	1	F60-1112392	
16	54510-703-620	WIRE, main clutch	1	F60-64-411702	F60-1112391
	54510-703-621	WIRE, main clutch	1	F60-1112392	
17	54691-703-810	BOLT, side clutch lever hinge	1	F60-64-411702	
18	17910-703-600	WIRE, throttle	1	F60-64-411702	F60-1112391
	17910-703-601	WIRE, throttle	1	F60-1112392	
19	53751-703-600	WIRE, handle lock	1	F60-64-411702	F60-1112391
	53751-703-601	WIRE, handle lock	1	F60-1112392	
20	53760-703-621	LEVER, lock	1	F60-64-411702	
	54411-703-600	PACKING, O	1	F60-64-411702	
21	92000-08035	BOLT, hex., 8x35	2		
22	92000-10025	BOLT, hex., 10x25	2		
23	94001-06000	NUT, hex., 6mm	1		
24	94001-10000	NUT, hex., 10mm	1		
25	94002-10000	NUT, thin, 10mm	2		
26	94101-10000	WASHER, flat, 10mm	1		

F-3 Handle Column



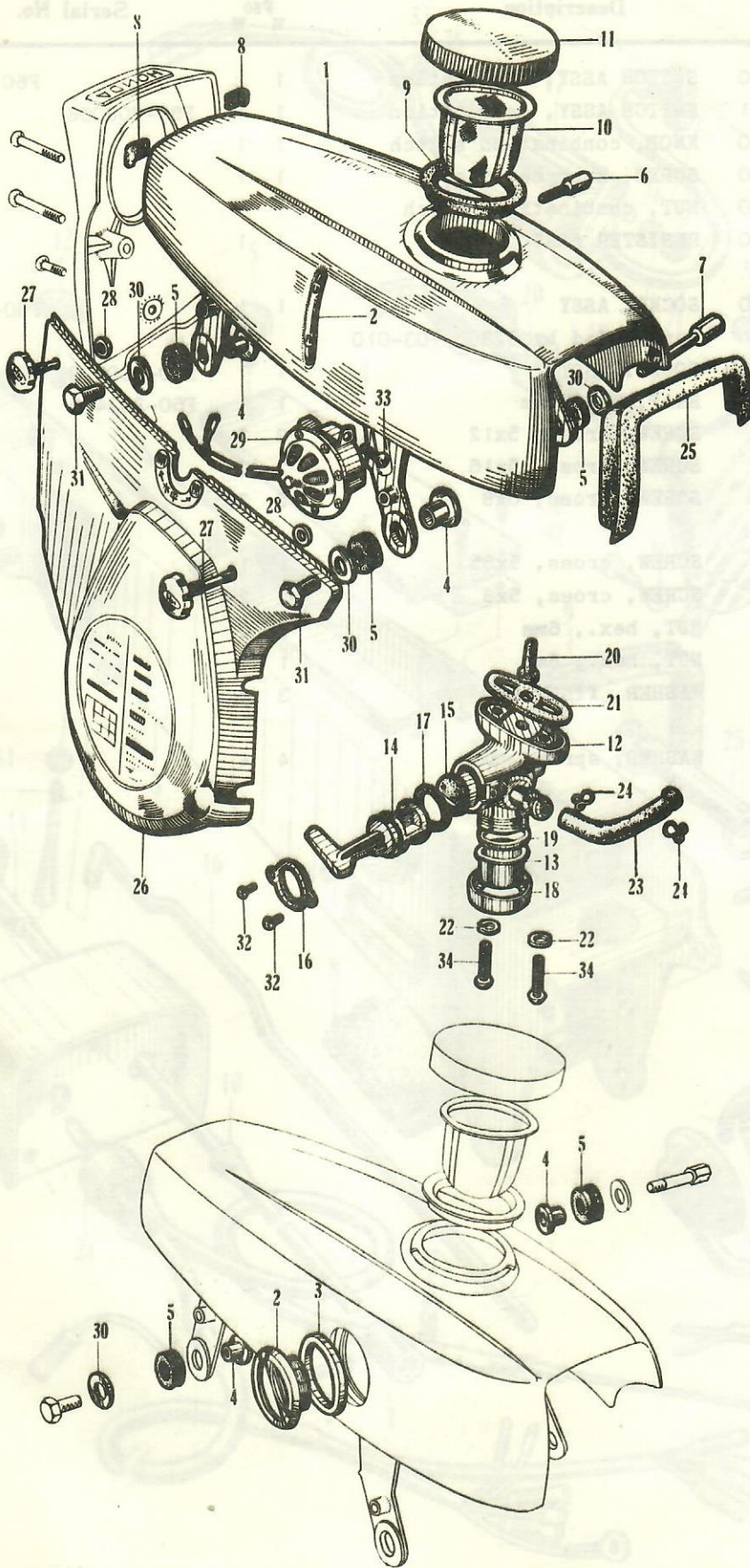
F-3 Handle Column

Ref. No.	Part No.	Description	Reqd. No.		Serial No.
			F60 VI	VI	
1	24531-700-010	JOINT, change shaft	1	1	
2	24517-700-010	PIN, 5mm	1	1	
3	50110-703-315C	COLUMN, handle	1	1	F60-202011
	50110-703-325C	COLUMN, handle	1	1	F60-202012 F60-206207
	50110-703-050C	COLUMN, handle Superseded by 50110-703-325C	1	1	F60-206208
4	83120-703-000C	COVER, tool box	1	1	F60-206207
	83120-703-030C	COVER, tool box	1	1	F60-206208
5	83181-703-000	LATCH, tool box	1	1	
6	50287-703-000	STOPPER, tool box latch	1	1	
7	88111-703-820	BOARD, column dash	1		
	88111-703-620	BOARD, column dash	1		F60-64-411702
8	50211-703-000	COVER, column	1	1	F60-206207
	50211-703-010	COVER, column	1	1	F60-206208
9	50241-703-000	PACKING, column shield	1	1	F60-206207
	50241-703-010	PACKING, column shield	1	1	F60-206208
10	54382-703-000	RUBBER, P.T.O., rod supporter	1	1	
11	28537-703-000	RUBBER, right stopper	1	1	
12	28547-703-000	RUBBER, left stopper	1	1	
13	28587-703-000	CAP, starter oil	1	1	
14	54140-703-000	ROD, change	1	1	
15	54310-703-000	LEVER, P.T.O.	1		
	54310-703-305	LEVER, P.T.O.	1		F60-202012 F60-202434
	54310-703-600	LEVER, P.T.O.	1		F60-64-411702
16	54341-703-000	ROD, P.T.O.	1	1	
	54341-703-305	ROD, P.T.O.	1	1	F60-202012 F60-202434
17	30500-703-003	COIL ASSY., ignition	1	1	F60-208007
	30500-703-013	COIL ASSY., ignition	1	1	F60-208008
	30500-703-004	COIL ASSY., ignition	1	1	F60-208007
	30500-703-014	COIL ASSY., ignition	1	1	F60-208008
	33100-703-010	LIGHT ASSY., head	1	1	F60-205899
	33100-703-020	LIGHT ASSY., head	1	1	F60-205900
18	34901-001-020	BULB, headlight	1	1	
19	33012-703-000	GROMMET, earth cord	1	1	F60-205899
	33012-703-020	GROMMET, earth cord	1	1	F60-205900
20	33009-703-000	SOCKET, head light	1	1	

F-3 Handle Column

Ref. No.	Part No.	Description	Reqd. No.		Serial No.
			F60 VI	VII	
21	35100-703-600	SWITCH ASSY, combination	1	1	F60-208007
	35100-703-601	SWITCH ASSY, combination	1	1	F60-208008
22	35111-703-000	KNOB, combination switch	1	1	
23	35112-701-000	SCREW, knob setting	1	1	
24	35012-703-000	NUT, combination switch	1	1	
25	30800-703-000	RESISTER ASSY	1	1	
26	32300-703-000	SOCKET ASSY	1	1	F60-300328
		Superseded by 32300-703-010			
	32300-703-010	SOCKET ASSY	1	1	F60-300329
27	90651-700-000	SNAP, ring 5mm	1	1	F60-202435
28	90500-05012	SCREW, cross, 5x12	3	3	
29	90500-05016	SCREW, cross, 5x16	2	2	
30	90500-06008	SCREW, cross, 6x8	2	2	
31	90500-05085	SCREW, cross, 5x85	1	1	
32	90700-05008	SCREW, cross, 5x8	2	2	
33	94001-06000	NUT, hex., 6mm	2	2	
34	94001-08000	NUT, hex., 8mm	1	1	
35	94101-05000	WASHER, flst, 5mm	3	3	
36	94111-06000	WASHER, spring, 6mm	4	4	

F-4 Fuel Tank



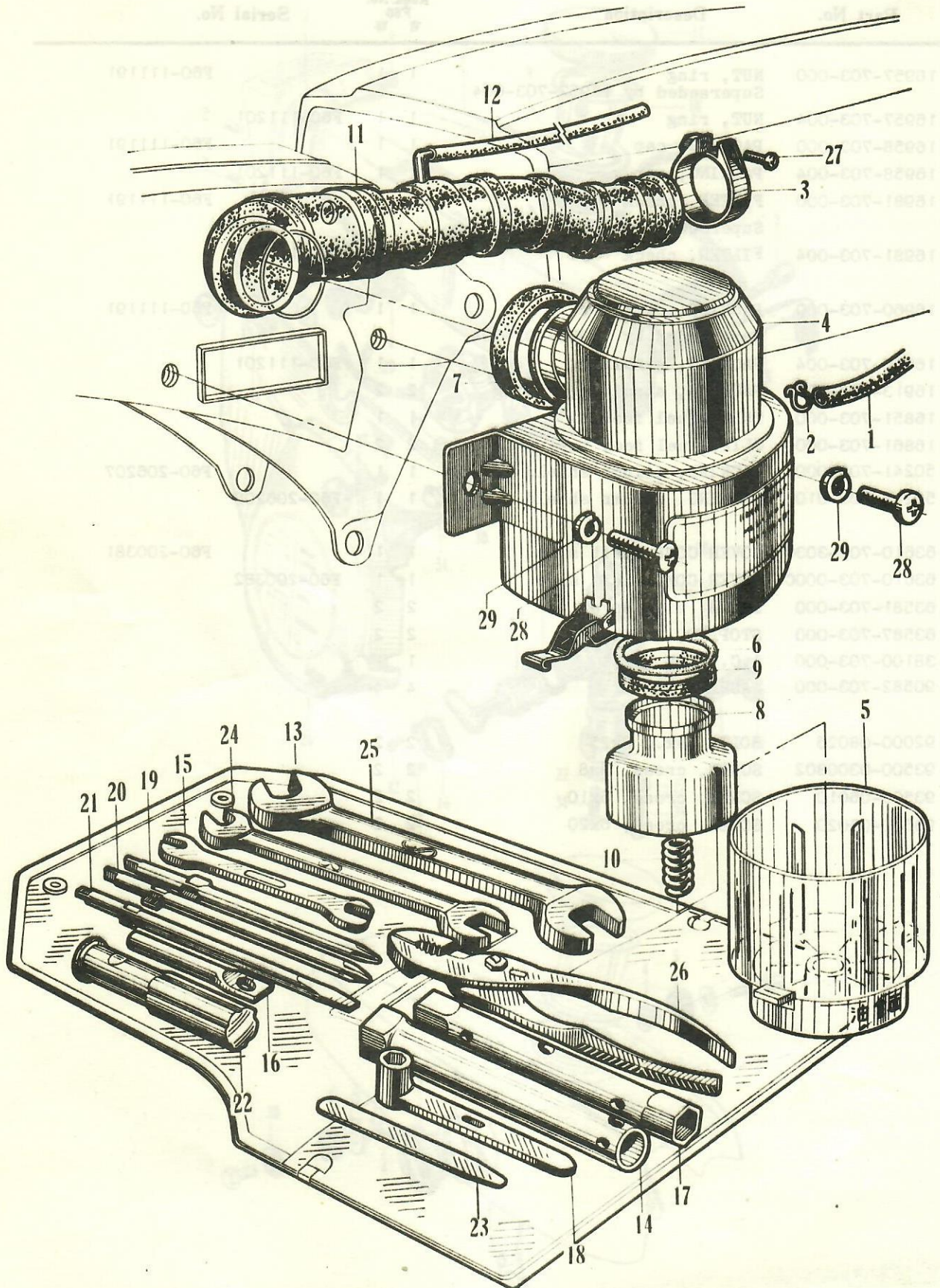
F-4 Fuel Tank

QTY	Part No.	Description	Reqd. No.		Serial No.
			F60 VI	VI	
1	17500-703-000C	TANK, fuel Superseded by 17500-703-010 with 17681-703-010	1	1	F60-200952
1	17500-703-010C	TANK, fuel Superseded by 17050-703-010C	1	1	F60-200953 F60-206207
1	17050-703-010C	TANK SET, fuel	1	1	
1	17500-703-030C	TANK, fuel	1	1	F60-206208
2	17581-703-304	CAP, fuel gauge	1	1	F60-20C952
1	17581-703-010	TUBE, fuel level	1	1	F60-200953
3	17585-703-303	PACKING, fuel gauge cap	1	1	F60-200952
4	17641-703-010	COLLAR A, tank distance	4	4	
5	17631-703-000	RUBBER, tank cushion	4	4	
8	16111-703-000	BOLT A, tank setting	1	1	
7	16112-703-000	BOLT B, tank setting	1	1	
8	17625-703-000	RUBBER, tank setting	2	2	
3	17673-703-010	PACKING, fuel filter	1	1	
10	17672-703-000	FILTER, fuel Superseded by 17672-703-020	1	1	
1	17672-703-020	FILTER, fuel	1	1	
10	17650-703-000	CAP, fuel tank	1	1	
1	16950-703-000	COCK ASSY., fuel Superseded by 16950-705-005	1	1	F60-111191
1	16950-703-004	COCK ASSY., fuel Superseded, by 16950-705-005	1	1	F60-111201
1	16950-705-005	COCK ASSY., fuel	1	1	
12	16961-703-000	BODY, cock	1	1	F60-203146
1	16961-703-010	BODY, cock	1	1	F60-203147 F60-111191
1	16961-703-004	BODY, cock	1	1	F60-111201
10	16952-703-000	CAP, strainer	1	1	F60-111191
1	16952-703-004	CAP, strainer Superseded by 16952-703-014	1	1	F60-111201
1	16952-703-014	CAP, strainer	1	1	
14	16972-703-000	LEVER, cock	1	1	F60-203146
1	16972-703-010	LEVER, cock	1	1	F60-203147 F60-111191
1	16972-703-014	LEVER, cock	1	1	F60-111201
10	16973-703-000	PACKING, cock	1	1	F60-111191
1	16973-703-004	PACKING, cock	1	1	F60-111201
18	16975-703-000	SPRING, plate	1	1	F60-111191
1	16975-703-004	SPRING, plate	1	1	F60-111201
10	16976-703-010	RING, shield rubber	1	1	F60-111191
1	16976-703-004	RING, shield rubber	1	1	F60-111201

F-4 Fuel Tank

Ref. No.	Part No.	Description	Reqd. No.		Serial No.
			F60 VI	VI	
18	16957-703-000	NUT, ring Superseded by 16957-703-004	1	1	F60-111191
	16957-703-004	NUT, ring	1	1	F60-111201
19	16958-703-000	PACKING, cap	1	1	F60-111191
	16958-703-004	PACKING, cap	1	1	F60-111201
20	16981-703-000	FILTER, check Superseded by 16981-703-004	1	1	F60-111191
	16981-703-004	FILTER, check	1	1	F60-111201
21	16960-703-000	PACKING, strainer Superseded by 16960-703-004	1	1	F60-111191
	16960-703-004	PACKING, strainer	1	1	F60-111201
22	16913-703-000	PACKING, strainer setting	2	2	
23	16851-703-000	TUBE, fuel feed	1	1	
24	16861-703-000	CLIP, fuel feed tube	2	2	
25	92241-703-000	PACKING, column shield	1	1	F60-206207
	92241-703-010	PACKING, column shield	1	1	F60-206208
26	82610-703-303C	COVER COMP, left side	1	1	F60-200381
	82610-703-000C	COVER COMP, left side	1	1	F60-200382
27	82581-703-000	LATCH, side cover	2	2	
28	82587-703-000	STOPPER, latch	2	2	
29	38100-703-000	A.C. HORN ASSY	1	1	
30	92582-703-000	WASHER, 8mm	4	4	
31	92300-06025	BOLT, hex., 8x25	2	2	
32	92500-0300802	SCREW, cross, 3x8	2	2	
33	92500-06010	SCREW, cross, 6x10	2	2	
34	92500-06020	SCREW, cross, 6x20	2	2	

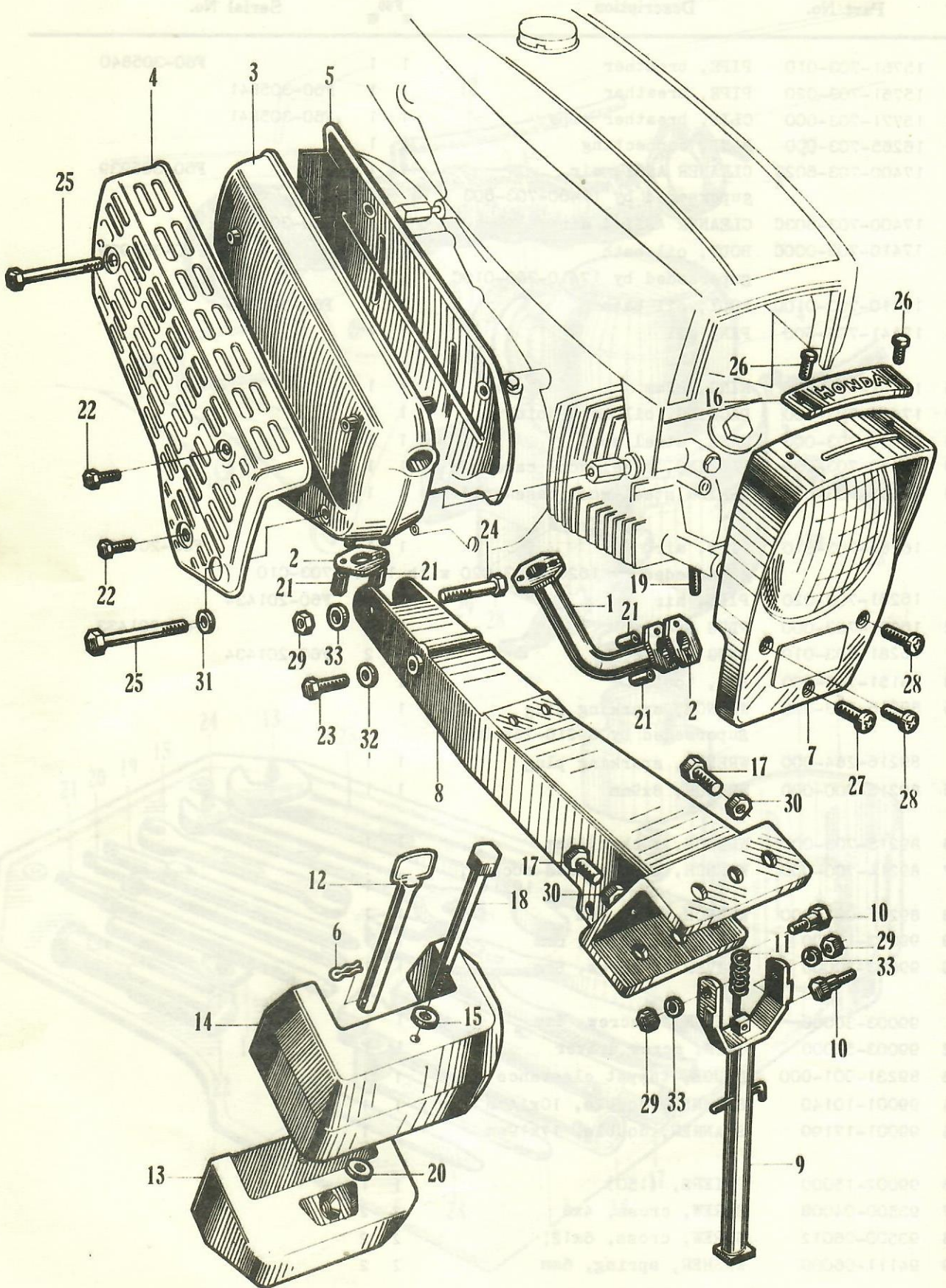
F-5 Air Cleaner



F-5 Air Cleaner

QTY	Part No.	Description	Reqd. No.		Serial No.
			F60 VI	VI	
1	13781-703-010	PIPE, breather	1	1	F60-305840
1	13781-703-020	PIPE, breather	1	1	F60-305841
2	13771-703-000	CLIP, breather pipe	1	1	F60-305841
3	16285-703-000	BAND, connecting	1	1	
1	17432-703-602C	CLEANER ASSY, air superseded by 17400-703-603	1	1	F60-305939
1	17432-703-603C	CLEANER ASSY., air	1	1	F60-305940
4	17410-703-000C	BODY, oil bath superseded by 17410-703-010C	1	1	F60-305939
1	17410-703-010C	BODY, oil bath	1	1	F60-305940
1	17440-703-600	PAN, oil	1	1	
6	17431-703-000	RING, 87mm	1	1	
7	17432-703-000	PACKING, oil bath joint	1	1	
8	17433-703-000	CASE, steel wool	1	1	
9	17433-703-000	PACKING, steel wool case	1	1	
10	17435-703-000	SPRING, steel wool case holding	1	1	
11	16281-703-010	PIPE, air superseded by 16261-703-020 with 16281-703-010	1	1	F60-201433
1	16281-703-020	PIPE, air	1	1	F60-201434
12	16281-703-000	PLUG B, air	2	2	F60-201433
1	16281-703-010	PLUG B, air	2	2	F60-201434
13	89151-703-600	BAG, tool	1	1	
14	89215-703-000	WRENCH, sparking plug Superseded by 89216-264-000	1	1	
1	89216-264-000	WRENCH, sparking plug	1	1	
15	89215-700-000	WRENCH, 8x9mm	1	1	
16	89215-703-000	WRENCH, socket, 3mm	1	1	
17	89214-700-000	WRENCH, double head socket, 10x14	1	1	
18	89211-001-000	WRENCH, box, 9mm	1	1	
19	89003-10000	DRIVER A, screw, 6mm	1	1	
20	89003-20000	DRIVER B, screw, 8mm	1	1	
21	89003-30000	DRIVER C, screw, 6mm	1	1	
22	89003-50000	GRIP, screw driver	1	1	
23	89021-001-000	GAUGE, tappet clearance	1	1	
24	89001-10140	SPANNER, double, 10x14mm	1	1	
25	89001-17190	SPANNER, double, 17x19mm	1	1	
26	89002-15000	PLIERS, (150)	1	1	
27	82500-04008	SCREW, cross, 4x8	2	2	
28	82500-06012	SCREW, cross, 6x12	2	2	
29	84111-06000	WASHER, spring, 6mm	2	2	

F-6 Stand



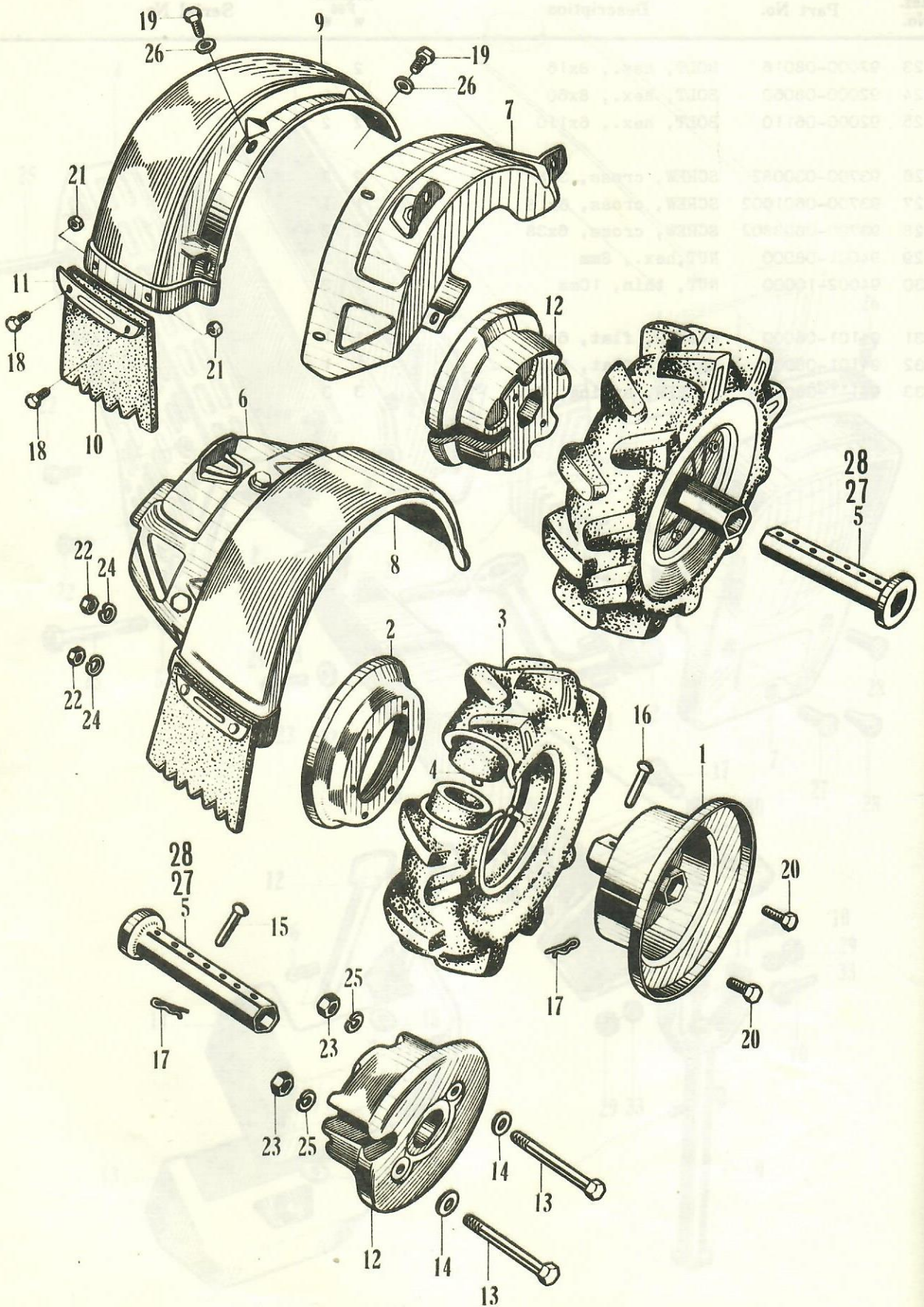
F-6 Stand

Qty.	Part No.	Description	Reqd. No.		Serial No.
			F60 VI	VI	
1	78210-703-010	PIPE, exhaust	1	1	
2	78251-703-000	PACKING, muffler	2	2	
1	78252-703-010	MUFFLER	1	1	
1	78251-703-000	PROTECTOR, muffler	1	1	
1	78253-703-303	PLATE, muffler separate	1	1	
1	82671-703-810	CLIP, 16mm	1	1	F60-202436
1	82671-703-010	COVER, front	1	1	F60-205899
1	82671-703-020	COVER, front	1	1	F60-205900
1	87210-703-010	HOLDER, weight	1	1	F60-203000
1	87210-703-020	HOLDER, weight	1	1	F60-203001
1	87210-703-030	HOLDER, weight	1	1	F60-205924
1	87210-703-000	STAND	1	1	F60-203000
1	87210-703-010	STAND	1	1	F60-203001
2	87252-703-000	SHAFT, stand	2	2	
1	87251-703-000	SPRING, stand lock	1	1	
1	87252-703-000	PIN, weight holder	1	1	F60-202435
1	87252-703-010	PIN, weight holder	1	1	F60-202436
1	87251-703-000C	WEIGHT, front	1	1	
1	87251-703-000C	WEIGHT, sub	1	1	
1	87251-703-000	WASHER, special, 14mm	1	1	
1	87101-703-000	EMBLEM, top	1	1	
		Superseded by 87101-703-305			
1	87101-703-305	MARK, top	1	1	
2	87131-703-000	BOLT, hex., 10x35	2	2	
1	87132-703-000	BOLT, hex., 14x115	1	1	
2	87133-703-000	BOLT, stud, 6x29	2	2	
		Superseded by 92700-0602710			
2	92700-0602710	BOLT, stud, 6x27	2	2	
1	87251-703-000	WASHER, special, 10mm	1	1	
4	87251-703-000	NUT, hex., 6mm	4	4	
2	87252-0601002	BOLT, hex., 6x10	2	2	

F-6 Stand

Qty.	Part No.	Description	Reqd. No.		Serial No.
			VI	VII	
22	92000-08016	BOLT, hex., 8x16	2	2	
24	92000-08060	BOLT, hex., 8x60	1	1	
25	92000-06110	BOLT, hex., 6x110	2	2	
26	92700-030082	SCREW, cross, 3x8	2	2	
27	92700-0601602	SCREW, cross, 6x16	1	1	
28	92700-0603802	SCREW, cross, 6x38	2	2	
29	94001-08000	NUT, hex., 8mm	3	3	
30	94002-10000	NUT, thin, 10mm	2	2	
31	94001-06000	WASHER, flat, 6mm	1	1	
32	94001-08000	WASHER, flat, 8mm	1	1	
33	94001-08000	WASHER, spring, 8mm	3	3	

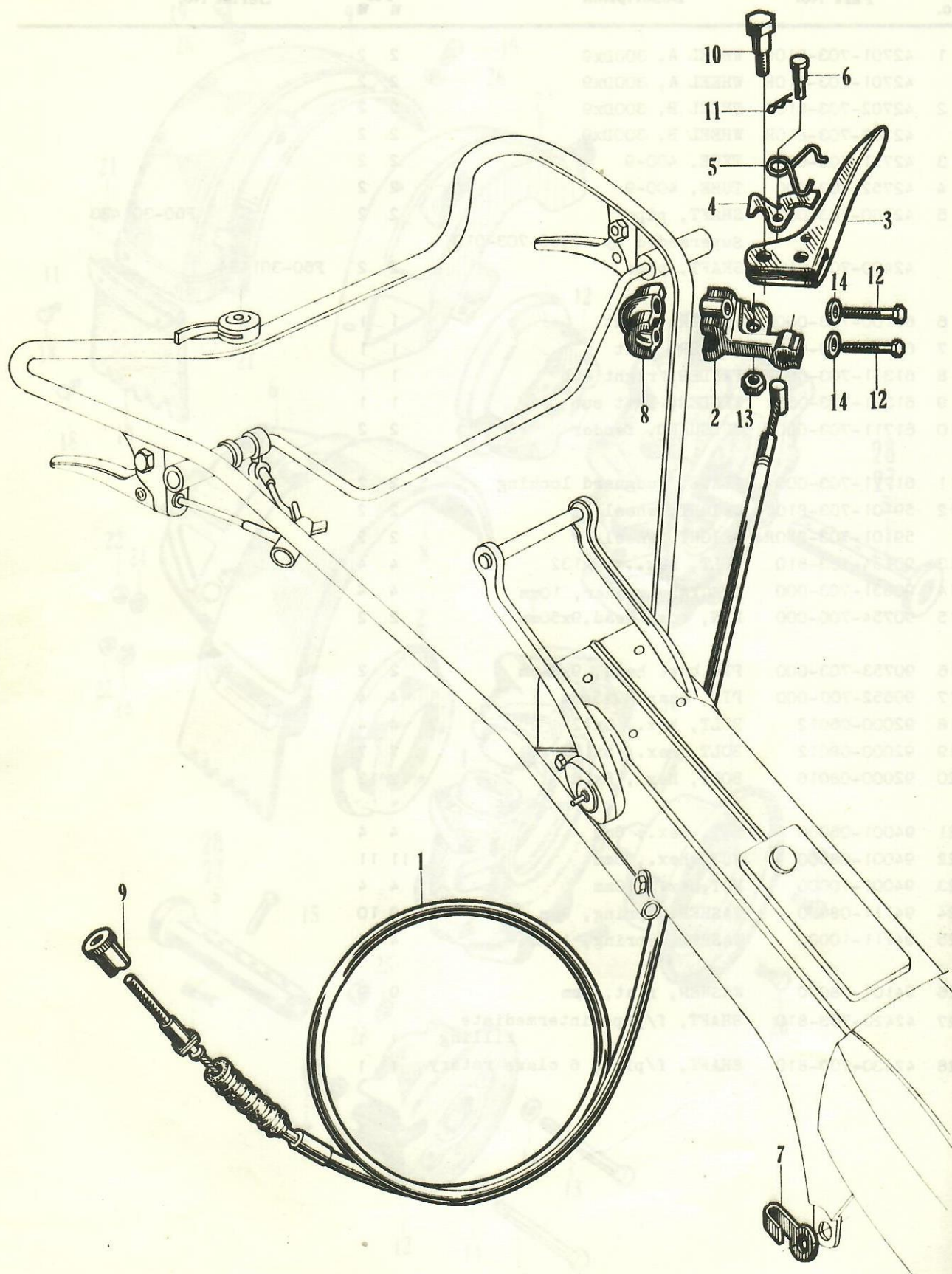
F-7 Wheel



F-7 Wheel

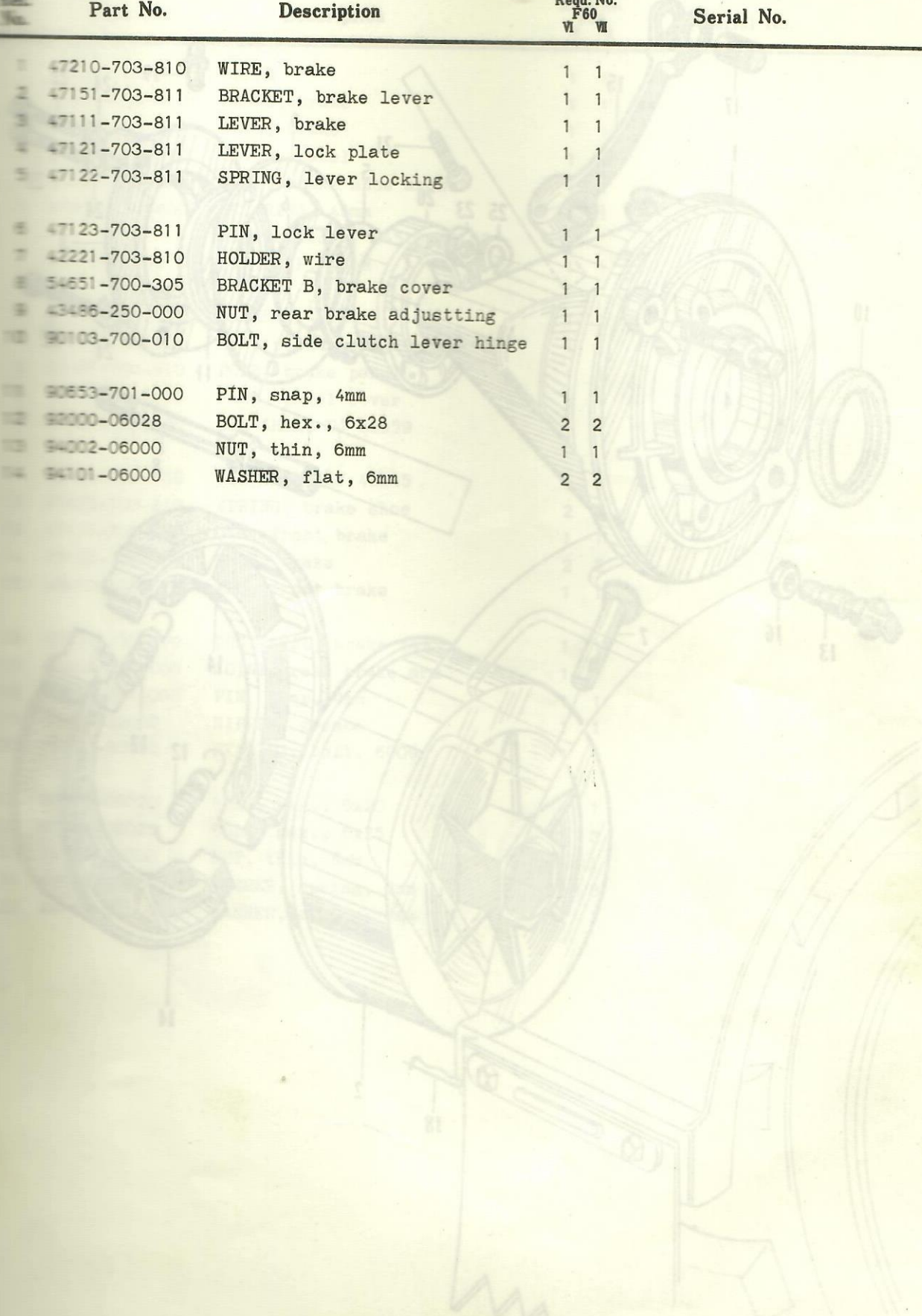
QTY	Part No.	Description	Reqd. No.		Serial No.
			F60 VI	VI	
1	42701-703-810C	WHEEL A, 300Dx9	2	2	
	42701-703-810R	WHEEL A, 300Dx9	2	2	
2	42702-703-810C	WHEEL B, 300Dx9	2	2	
	42702-703-810R	WHEEL B, 300Dx9	2	2	
3	42751-703-600	TYRE, 400-9	2	2	
4	42752-703-600	TUBE, 400-9	2	2	
5	42400-703-000	SHAFT, pipe	2	2	F60-301483
		Superseded by 42400-703-010			
	42400-703-010	SHAFT, pipe	2	2	F60-301484
6	81100-703-000R	FENDER, right	1	1	
7	81210-703-000R	FENDER, left	1	1	
8	81311-703-000R	FENDER, right sub	1	1	
9	81321-703-000R	FENDER, left sub	1	1	
10	81711-703-000	MUDGUARD, fender	2	2	
11	81771-703-000	PLATE, mudguard locking	2	2	
12	92101-703-810C	WEIGHT, wheel	2	2	
	92101-703-810R	WEIGHT, wheel	2	2	
13	92134-703-810	BOLT, hex., 10x132	4	4	
14	92531-703-000	SPECIAL, washer, 10mm	4	4	
15	92754-700-000	PIN, bowl head, 9x50mm	2	2	
16	92753-703-000	PIN, bowl head, 9x54mm	2	2	
17	92852-700-000	PIN, snap, 9x54mm	4	4	
18	92300-06012	BOLT, hex., 6x12	4	4	
19	92300-08012	BOLT, hex., 8x12	7	7	
20	92300-08016	BOLT, hex., 8x16	13	13	
21	94301-06000	NUT, hex., 6mm	4	4	
22	94301-08000	NUT, hex., 8mm	11	11	
23	94301-10000	NUT, hex., 10mm	4	4	
24	94711-08000	WASHER, spring, 8mm	10	10	
25	94711-10000	WASHER, spring, 10mm	4	4	
26	94701-08000	WASHER, flat, 8mm	9	9	
27	42420-703-810	SHAFT, f/pipe, intermediate tilling	1	1	
28	42430-703-810	SHAFT, f/pipe, 6 claws rotary	1	1	

Y-1 Brake (I)



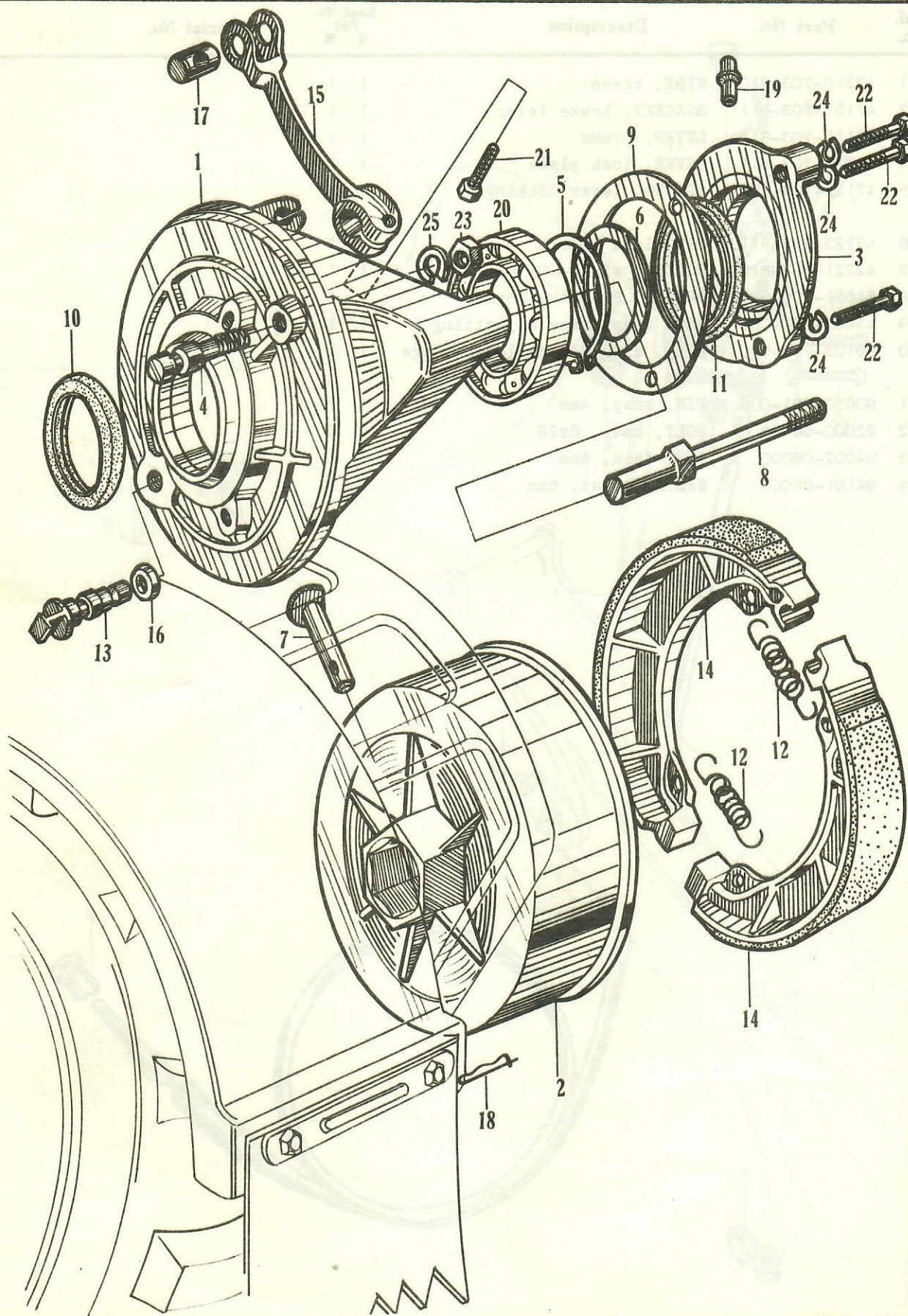
Y-1 Brake (I)

Ref. No.	Part No.	Description	Reqd. No.		Serial No.
			F60 VI	VI	
1	47210-703-810	WIRE, brake	1	1	
2	47151-703-811	BRACKET, brake lever	1	1	
3	47111-703-811	LEVER, brake	1	1	
4	47121-703-811	LEVER, lock plate	1	1	
5	47122-703-811	SPRING, lever locking	1	1	
6	47123-703-811	PIN, lock lever	1	1	
7	42221-703-810	HOLDER, wire	1	1	
8	54651-700-305	BRACKET B, brake cover	1	1	
9	43486-250-000	NUT, rear brake adjusting	1	1	
10	90103-700-010	BOLT, side clutch lever hinge	1	1	
11	90653-701-000	PIN, snap, 4mm	1	1	
12	92000-06028	BOLT, hex., 6x28	2	2	
13	94002-06000	NUT, thin, 6mm	1	1	
14	94101-06000	WASHER, flat, 6mm	2	2	



OPTIONAL GROUP

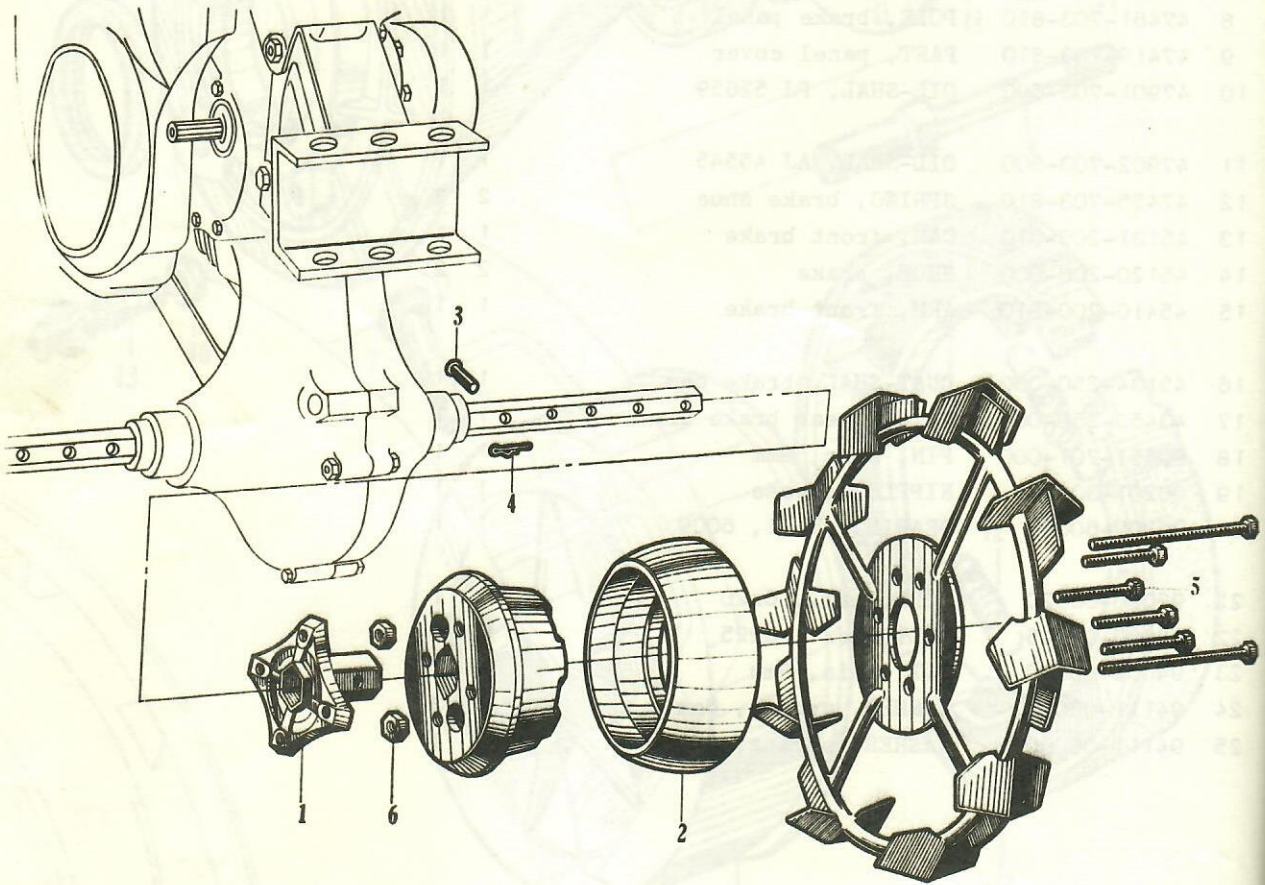
Y-2 Brake (II)



Y-2 Brake (II)

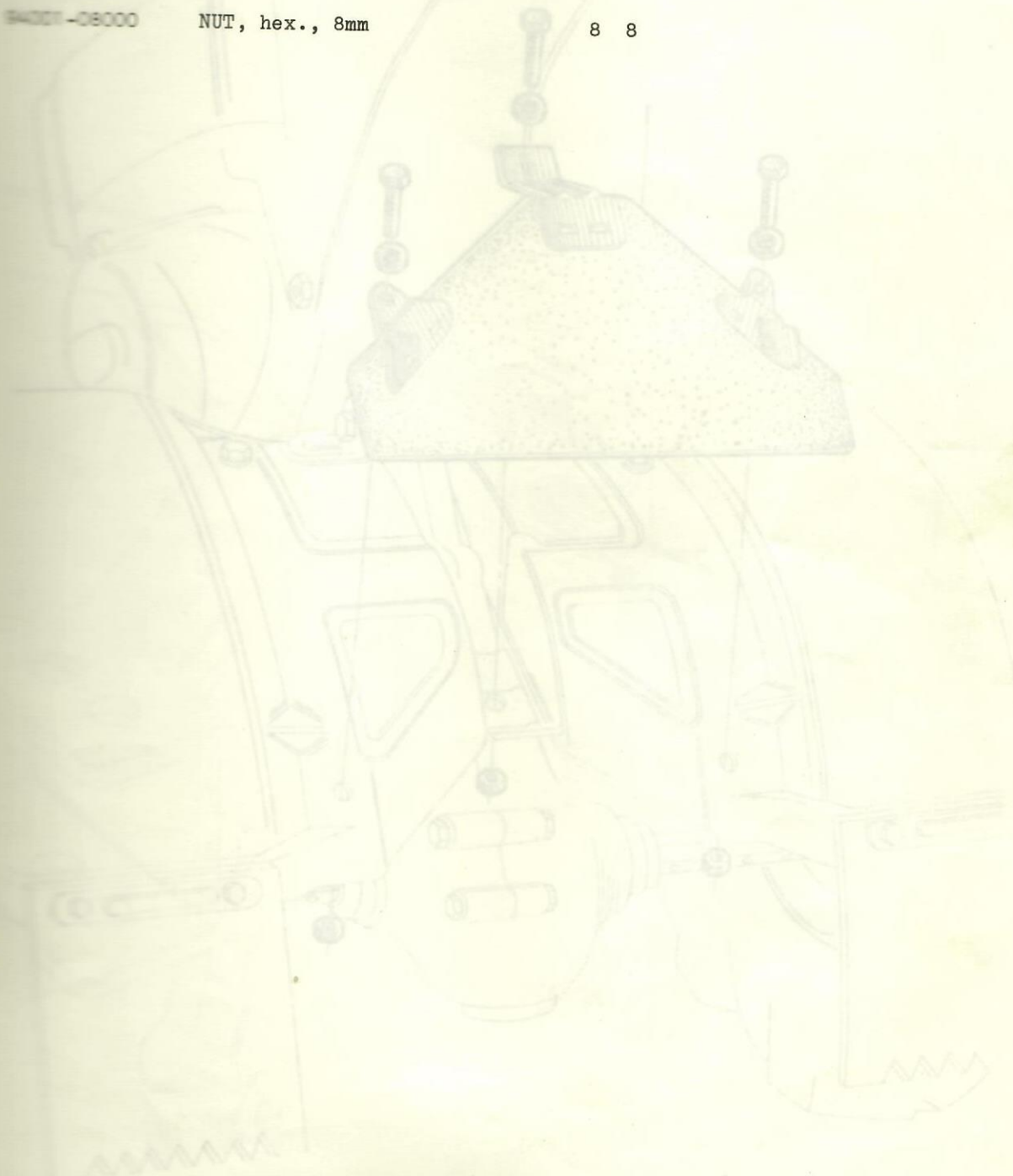
Ref. No.	Part No.	Description	Reqd. No.		Serial No.
			F60 VI	VII	
	47400-703-810	BRAKE	1	1	
1	47401-703-810	PANEL,,brake	1	1	
2	47501-703-810	DRUM, brake	1	1	
3	47411-703-810	COVER, panel	1	1	
4	47451-703-810	BOLT, brake shoe anchor	1	1	
5	47903-703-600	SET RING, 45mm	1	1	
	94510-45150	Superseded by 94510-45150			
	94510-45150	CIR-CLIP, 45mm	1	1	
6	47904-703-810	WASHER, 45mm	1	1	
7	47521-703-811	PIN, round head, 9x67mm	1	1	
8	47461-703-810	POLE, brake panel	1	1	
9	47419-703-810	PART, panel cover	1	1	
10	47901-703-600	OIL-SHAL, PJ 52659	1	1	
11	47902-703-600	OIL-SHAL, AJ 45545	1	1	
12	47455-703-810	SPRING, brake shoe	2	2	
13	45131-200-010	CAM, front brake	1	1	
14	45120-200-000	SHOE, brake	2	2	
15	45410-200-010	ARM, front brake	1	1	
16	45134-250-000	DUST-SHAL, brake cam	1	1	
17	42433-250-000	JOINT, rear brake arm	1	1	
18	92851-701-000	PIN, snap, 9mm	1	1	
19	92221-30000	NIPPLE, grease	1	1	
20	92100-60090	BEARING, ball, 6009	1	1	
21	92000-06020	BOLT, hex., 6x20	1	1	
22	92000-06025	BOLT, hex., 6x25	3	3	
23	94002-08000	NUT, thin, 8mm	1	1	
24	94111-06000	WASHER, spring, 6mm	3	3	
25	94111-08000	WASHER, spring, 8mm	1	1	

Y-3 Steel Wheel

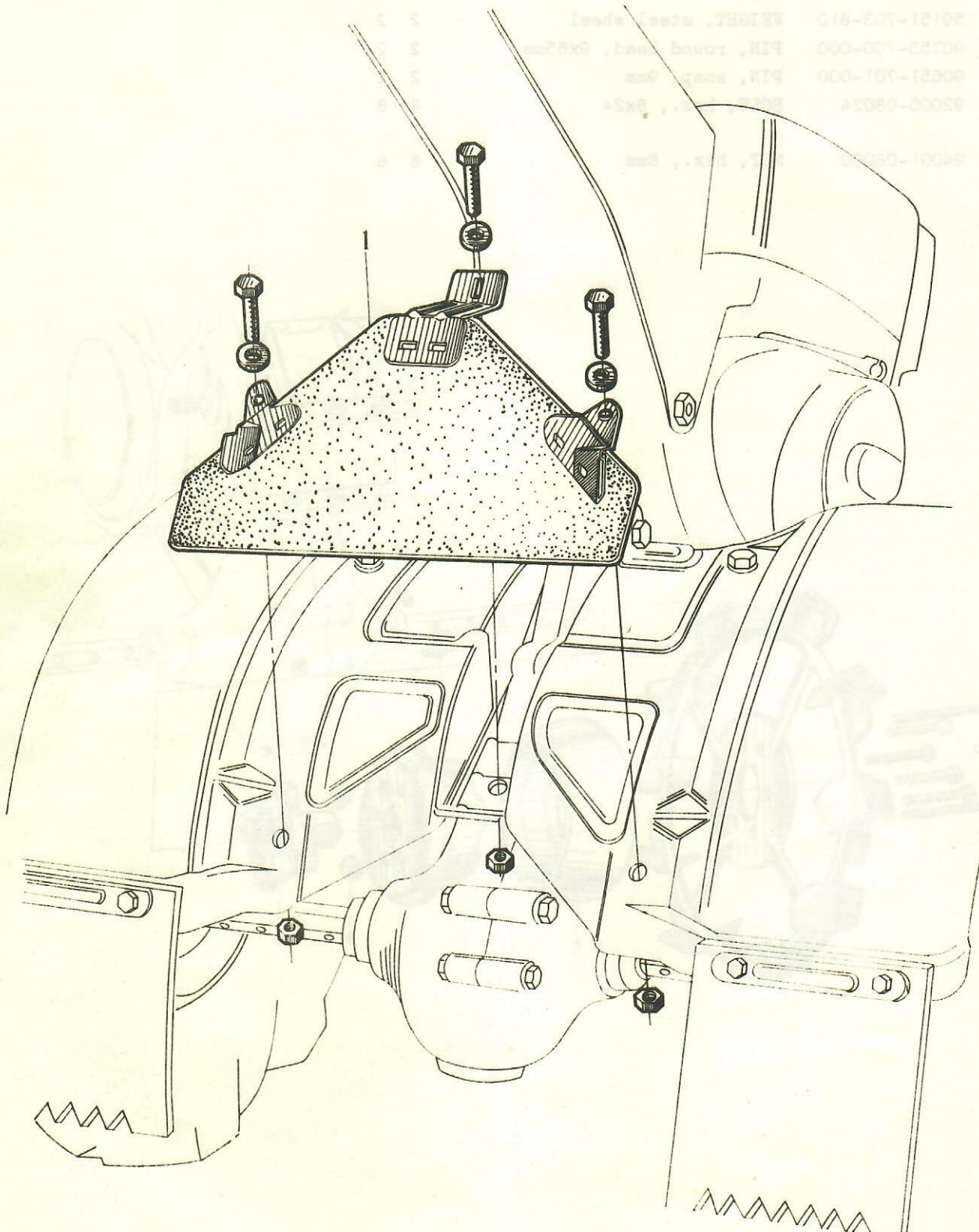


Y-3 Steel Wheel

Qty.	Part No.	Description	Reqd. No.		Serial No.
			F60	VI	
1	42511-703-810C	HUB, steel wheel	2	2	
2	55151-703-810	WEIGHT, steel wheel	2	2	
3	92755-700-000	PIN, round head, 9x65mm	2	2	
4	92851-701-000	PIN, snap, 9mm	2	2	
5	92000-08024	BOLT, hex., 8x24	8	8	
6	94001-08000	NUT, hex., 8mm	8	8	



Y-4 Mud Guard

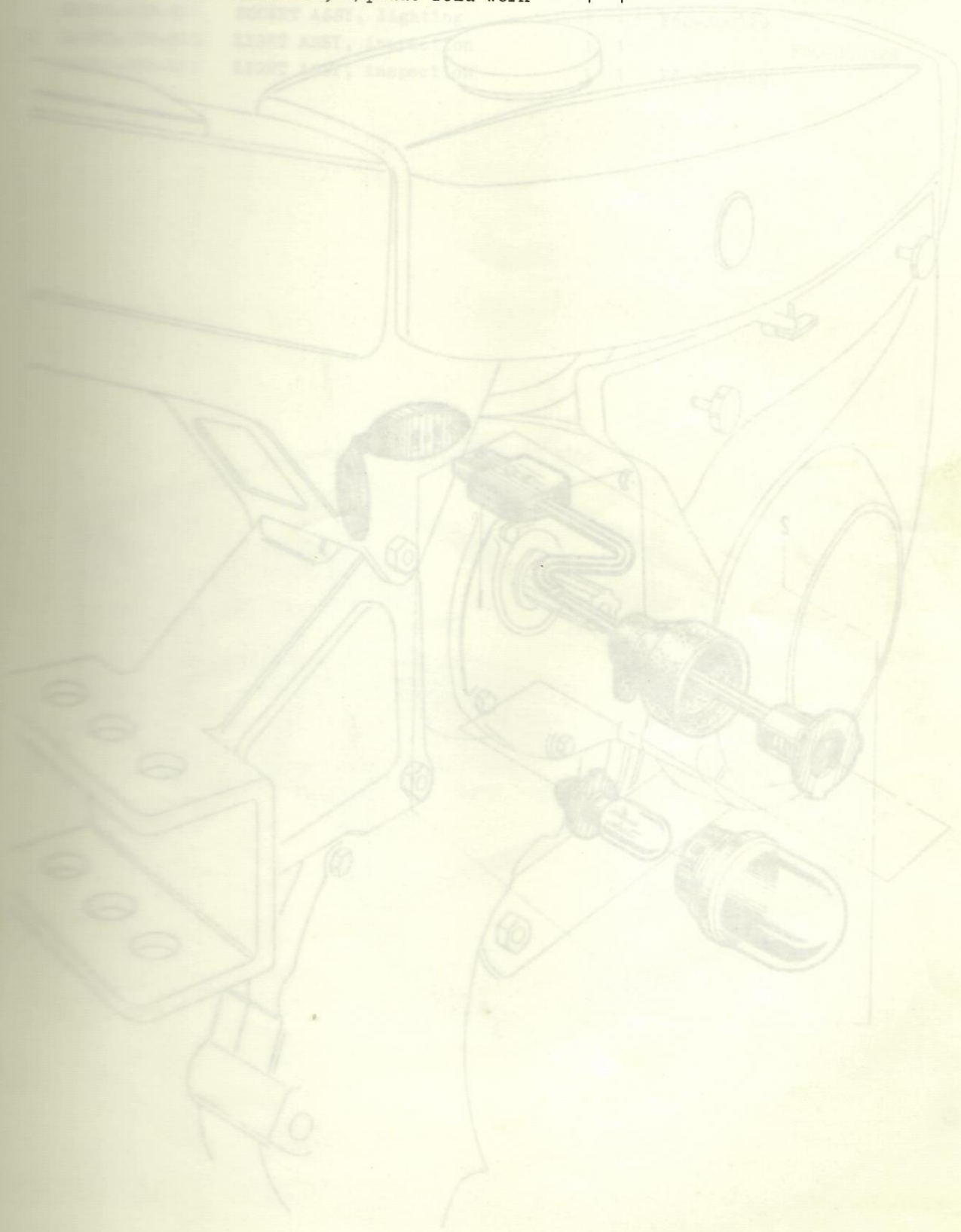


Part No.	Description	Part No.	Description
1	42811-700-810C	1	BUB, steel wheel
2	20151-703-81D	2	WEIGHT, steel wheel
3	80722-700-000	3	FIN, round head, 5x8mm
4	00621-701-000	4	FIN, square
5	82000-08014	5	FIN, 5x24
6	84901-08000	6	FIN, 1/2 x 1/2

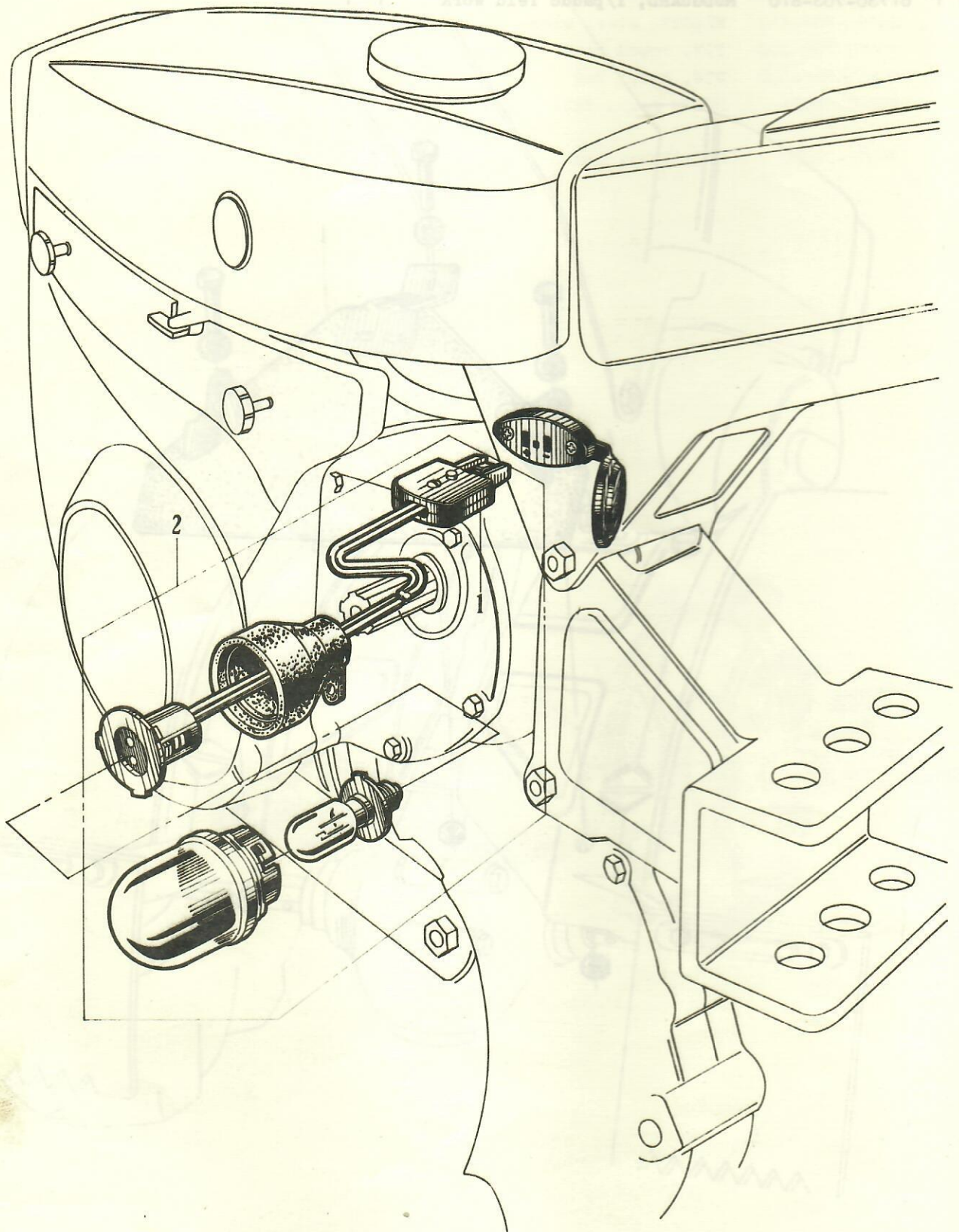
Y-4 Mud Guard

	Part No.	Description	Reqd. No. F60 VI VII	Serial No.
--	----------	-------------	----------------------------	------------

11	81750-703-810	MUDGUARD, f/paddo feld work	1 1	
----	---------------	-----------------------------	-----	--

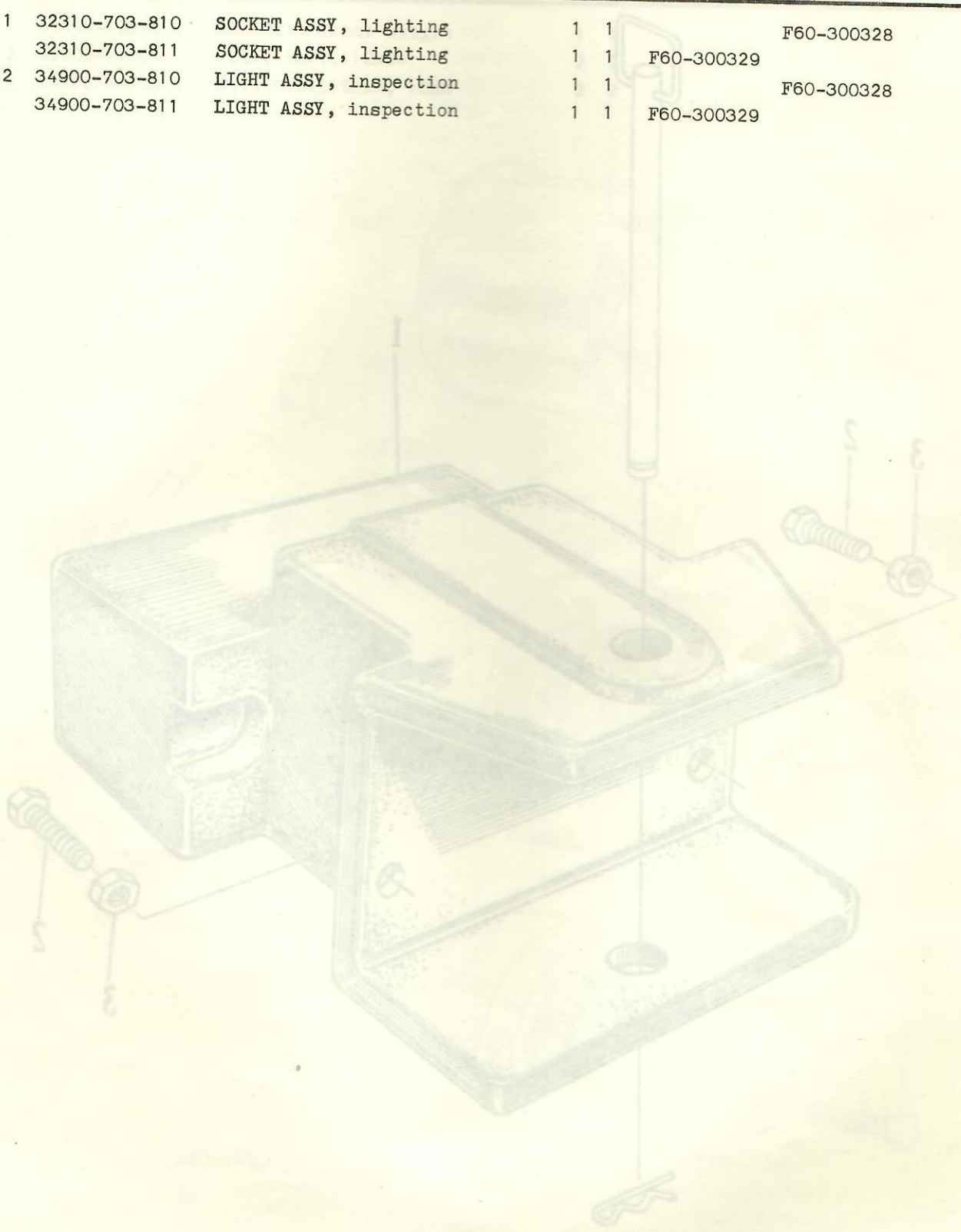


Y-5 Consent

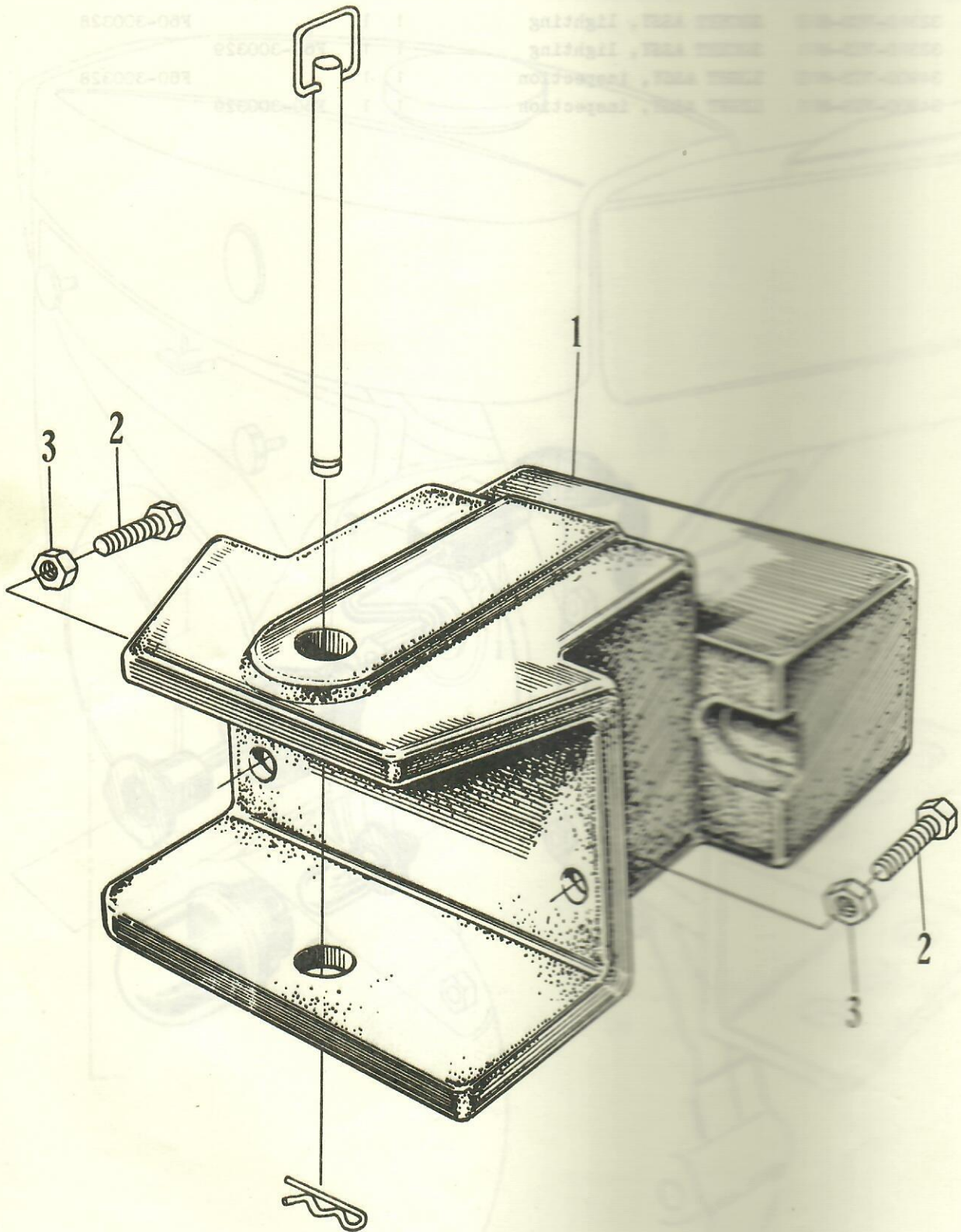


Y-5 Consent

Ref. No.	Part No.	Description	Reqd. No.		Serial No.
			F60 VI	VII	
1	32310-703-810	SOCKET ASSY, lighting	1	1	F60-300328
	32310-703-811	SOCKET ASSY, lighting	1	1	F60-300329
2	34900-703-810	LIGHT ASSY, inspection	1	1	F60-300328
	34900-703-811	LIGHT ASSY, inspection	1	1	F60-300329

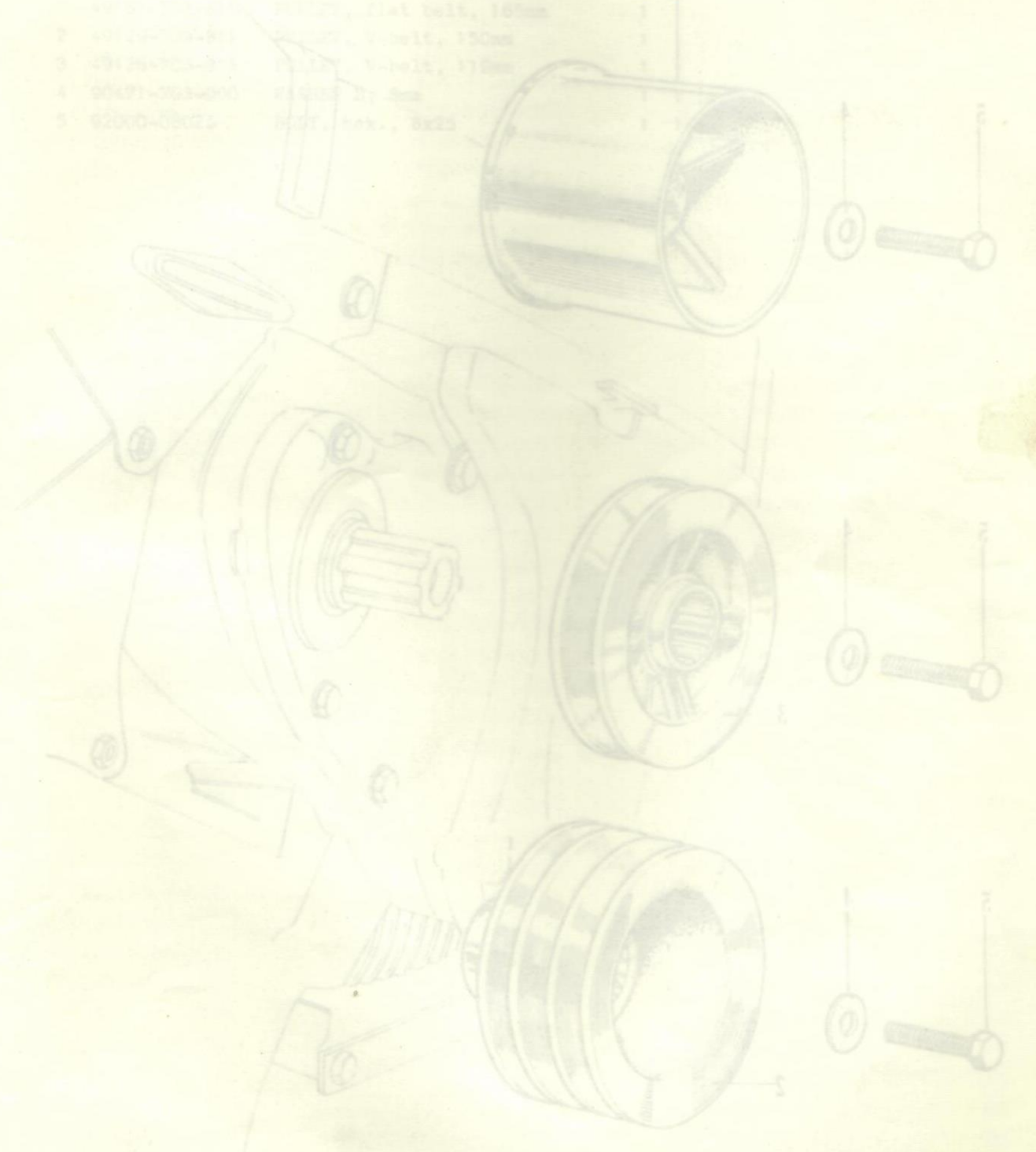


Y-6 Adapter

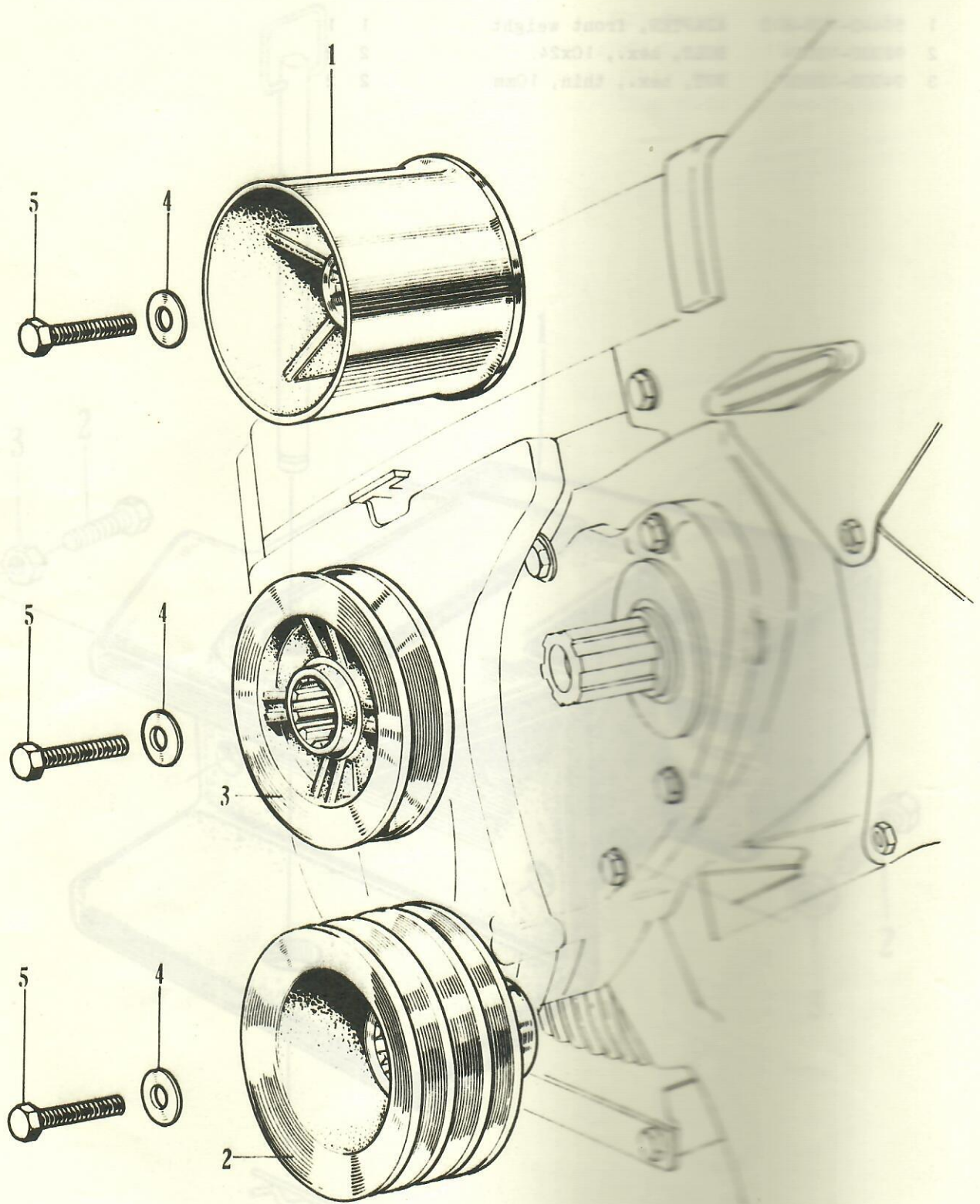


Y-6 Adapter

Ref. No.	Part No.	Description	Reqd. No. F60 VI VI	Serial No.
1	59440-703-810	ADAPTER, front weight	1 1	
2	92000-10024	BOLT, hex., 10x24	2 2	
3	94002-10000	NUT, hex., thin, 10mm	2 2	



Y-7 Pulley



PART No. INDEX

Part No.	Page	Part No.	Page	Part No.	Page
		13022-703-000	9	15251-703-020	41
		13032-703-000	9	15281-703-000	41
11000		13042-703-000	9	15281-703-010	41
11100-703-305	19	13101-703-000	9	15282-703-303	41
11100-703-080	19	13102-703-000	9	15282-705-000	41
11100-703-090	19	13103-703-000	9	15284-703-000	41
11191-703-010	19	13104-703-000	9	15420-703-000	41
11191-703-020	19	13111-703-000	9	15420-703-010	41
11200-703-315	25	13115-200-000	9	15420-703-020	41
11200-703-325	25	13201-703-000	9	15420-703-030	41
11200-703-335	25	13311-703-010	9	15420-703-040	41
11200-703-070	25	13321-703-000	9	15439-703-000	41
11300-703-020	13	13381-703-000	9	15510-703-000	43
11300-703-030	13			15611-703-010	13
11300-703-040	13			15611-703-020	13
11300-705-000	13	14000		15761-703-010	63
11391-703-000	13	14101-703-010	11	15761-703-020	63
11400-703-313	31	14101-703-020	11	15771-703-000	63
11400-703-314	31	14101-703-030	11	15825-703-000	41
11400-703-323	31	14311-703-010	11	15825-703-030	41
11400-703-343	31	14311-703-020	11	15911-703-000	27
11400-703-050	31	14411-703-000	11	15912-703-000	15
11491-703-010	31	14411-001-030	11		
11491-703-020	31	14421-703-000	11	16000	
11631-703-000	29	14431-703-000	11	16100-703-000	35
11641-703-000	25	14441-703-000	11	16123-011-004	35
	39	14451-703-000	11	16134-703-004	35
11901-703-000	39	14481-001-000	11	16172-030-004	37
11901-703-010	39	14711-703-000	11	16173-700-004	37
11901-703-020	39	14721-703-000	11	16175-260-004	37
		14731-703-000	11	16211-703-010	7
12000		14751-703-000	11	16211-703-020	7
12101-703-000	7	14771-001-000	11	16230-703-000	7
12191-703-000	7	14771-011-000	11	16230-703-010	7
12201-703-010	7	14781-001-010	11	16230-703-020	7
12251-703-000	7			16235-703-000	37
12251-703-305	7	15000		16261-703-010	63
12301-703-000	7	15199-250-000	11	16261-703-020	63
12361-001-020	7	15200-703-010	41	16265-703-000	63
12391-703-000	7	15200-703-020	41	16271-202-004	35
12911-703-000	7	15200-703-030	41	16281-703-000	63
12911-703-010	7	15200-703-050	41	16281-703-010	63
		15200-703-060	41	16500-703-000	11
13000		15200-703-070	41	16500-703-010	11
13000-703-000	9	15251-703-000	41	16520-703-000	11
13012-703-000	9	15251-703-010	41		

PART No. INDEX

Part No.	Page	Part No.	Page	Part No.	Page
16520-703-010	11				
16531-703-000	13	17000		21000	
16535-703-000	13	17050-703-010C	59	21951-703-000	39
16540-703-000	35	17111-703-010	7	21961-703-000	39
16540-703-010	35	17119-703-010	7		
16545-703-000	35	17400-703-602C	63	22000	
16545-703-010	35	17400-703-603C	63	22100-703-010	13
16551-703-000	35	17410-703-000C	63	22100-703-020	13
16551-703-020	35	17410-703-010C	63	22100-703-305	13
16592-703-000	35	17430-703-000	63	22100-703-330	13
16592-703-010	35	17435-703-000	63	22111-703-010	15
16593-703-000	35	17441-703-600	63	22111-703-020	15
16593-703-010	35	17451-703-000	63	22121-703-010	17
16594-703-000	35	17452-703-000	63	22131-703-000	15
16594-703-010	35	17453-703-000	63	22201-703-000	13
16851-703-000	61	17500-703-000C	59	22291-703-000	15
16861-703-000	43	17500-703-010C	59	22291-703-010	15
	61	17500-703-030C	59	22291-703-020	15
16913-703-000	61	17631-703-000	59	22310-703-000	13
16950-703-000	59	17635-703-000	59	22321-703-000	13
16950-703-004	59	17641-703-010	59	22321-703-010	13
16950-705-005	59	17650-703-000	59	22331-703-000	13
16952-703-000	59	17672-703-000	59	22351-703-000	13
16952-703-004	59	17672-703-020	59	22351-703-010	13
16952-703-014	59	17673-703-010	59	22401-703-000	13
16958-703-000	61	17681-703-304	59	22401-703-010	13
16958-703-004	61	17681-703-010	59	22411-703-000	15
16960-703-000	61	17686-703-303	59	22411-703-010	15
16960-703-004	61	17850-703-000	47	22441-703-000	15
16961-703-000	59	17891-700-000	47	22510-703-305	13
16961-703-010	59	17910-703-000	47	22510-703-020	13
16961-703-004	59	17910-703-600	53	22510-703-030	13
16972-703-000	59	17910-703-601	53	22521-703-010	13
16972-703-010	59			22521-703-020	13
16972-703-014	59	18000		22525-703-000	15
16973-703-000	59	18210-703-010	65	22551-703-000	15
16973-703-004	59	18300-703-010	65	22552-703-000	15
16975-703-000	59	18351-703-000	65	22811-703-010	15
16975-703-004	59	18361-703-000	65	22811-703-020	15
16976-703-010	59	18363-703-303	65	22834-703-010	15
16976-703-004	59				
16981-703-000	61	19000		23000	
16981-703-004	61	19601-703-000	29	23111-703-000	19
16957-703-000	61	19601-703-010	29	23111-703-010	19
16957-703-004	61	19611-703-000	7	23121-703-010	13

PART No. INDEX

Part No.	Page	Part No.	Page	Part No.	Page
23140-703-000	29	23748-703-000	25	28561-703-010	49
23140-703-600	29	23793-703-000	25	28567-703-000	55
23211-703-000	19			28571-701-000	49
23215-703-000	19	24000		28573-703-000	49
23221-703-020	19	24111-703-000	25	28573-703-010	49
23221-703-325	19	24121-703-000	25	28573-703-020	49
23221-703-030	19	24121-703-010	25	28575-703-000	49
23221-703-040	19	24131-703-000	25	28575-703-010	49
23370-703-000	39	24211-703-000	25	28577-703-000	49
23370-703-010	39	24221-703-000	25	28577-703-010	49
23381-703-000	43	24231-703-000	25	28579-703-000	49
23381-703-010	43	24271-700-000	27	28581-703-000	49
23421-703-000	19	24271-703-000	27	28601-703-000	21
23421-703-010	19	24311-703-000	25	28601-703-010	21
23431-703-000	19	24350-703-000	25	28605-703-000	47
23451-703-000	19	24511-703-000	25	28605-703-315	47
23461-703-010	19	24515-703-000	25	28605-703-010	47
23580-703-000	25	24516-703-000	25	28606-700-000	21
23651-703-000	43	24517-703-000	27	28607-703-000	47
23651-705-005	43	24517-700-010	25	28608-703-020	21
23661-703-000	43		55	28630-703-010	21
23661-703-010	43	24531-700-010	25	28630-703-020	21
23662-703-000	43		55	28641-703-000	29
23662-703-010	43	24611-703-000	25	28649-703-000	29
23671-703-000	19			28650-703-010	21
23675-703-000	19	25000		28650-703-020	21
23685-703-000	43	25571-703-020	15	28655-703-000	27
23711-703-000	19	25571-703-030	15	28665-703-000	27
23711-703-303	19	25575-703-000	15	28665-703-010	27
23711-703-020	19	25576-703-000	15	28665-703-020	27
23715-703-000	21	25577-703-000	15	28666-703-000	27
23716-703-000	21	25577-703-010	15		
23717-703-303	21			30000	
23717-703-000	21	28000		30202-001-024	31
23721-703-000	21	28511-700-010	47	30205-001-013	31
23721-703-010	21	28521-700-040	47	30205-001-024	31
23731-703-000	21	28521-703-000	49	30230-705-000	31
23731-703-305	21	28530-703-000	47	30250-001-013	31
23731-703-010	21	28530-703-010	47	30250-001-024	31
23731-703-020	21	28537-703-000	55	30500-703-003	55
23735-703-000	25	28540-703-000	47	30500-703-013	55
23735-703-010	25	28540-703-010	47	30500-703-004	55
23735-703-020	25	28547-703-000	55	30500-703-014	55
23740-703-000	25	28551-703-000	49	30540-001-103	31
23740-703-010	25	28555-700-000	49	30540-001-104	31
		28561-703-000	49		

PART No. INDEX

Part No.	Page	Part No.	Page	Part No.	Page
30600-703-000	7				
30800-703-000	57				
31000					
31100-703-000	31				
31100-703-010	31				
31100-703-020	31				
31101-703-003	31				
31101-703-013	31				
31101-703-004	31				
31101-703-014	31				
31102-703-003	31				
31102-703-013	31				
31102-703-004	31				
31102-703-014	31				
31122-703-000	31				
31631-703-003	31				
31631-703-004	31				
32000					
32300-703-000	57				
32300-703-010	57				
32310-703-810	79				
32310-703-811	79				
32951-703-000	31				
33000					
33009-703-000	55				
33012-703-000	55				
33012-703-020	55				
33100-703-010	55				
33100-703-020	55				
34000					
34900-703-810	79				
34900-703-811	79				
34901-001-020	55				
35000					
35012-703-000	57				
35100-703-600	57				
35100-203-601	57				
35111-703-000	57				
35112-701-000	57				
35300-703-000	49				
		38000			
		38100-703-000	61		
		40000			
		40111-703-000	39		
		40121-703-000	43		
		40171-703-000	39		
			43		
		40611-703-000	39		
			41		
		40631-703-000	39		
			41		
		40641-703-000	39		
			41		
		40681-703-000	41		
		40685-703-000	41		
		40686-703-000	41		
		40710-703-010	39		
		40720-703-010	41		
		40741-703-000	39		
		40742-703-000	41		
		40743-703-000	39		
		40763-703-000	41		
		40810-703-000	39		
			43		
		40810-703-600	39		
			43		
		40911-703-000	39		
		42000			
		42221-703-810	71		
		42400-703-000	69		
		42400-703-010	69		
		42420-703-810	69		
		42430-703-810	69		
		42611-703-810C	75		
		42701-703-810C	69		
		42701-703-810R	69		
		42702-703-810C	69		
		42702-703-810R	69		
		42751-703-600	69		
		42752-703-600	69		
		43000			
		43453-250-000	73		
		43486-250-000	71		
		45000			
		45120-200-000	73		
		45131-200-010	73		
		45134-250-000	73		
		45410-200-010	73		
		47000			
		47111-703-811	71		
		47121-703-811	71		
		47122-703-811	71		
		47123-703-811	71		
		47151-703-811	71		
		47210-703-810	71		
		47400-703-810	73		
		47401-703-810	73		
		47411-703-810	73		
		47419-703-810	73		
		47451-703-810	73		
		47455-703-810	73		
		47461-703-810	73		
		47501-703-810	73		
		47521-703-811	73		
		47901-703-600	73		
		47902-703-600	73		
		47903-703-600	73		
		47904-703-810	73		
		49000			
		49128-703-811	83		
		49129-703-811	83		
		49163-703-811	83		
		49164-703-811	83		
		49165-703-811	83		
		49181-703-811	83		
		50000			
		50110-703-315C	55		
		50110-703-325C	55		
		50110-703-050C	55		
		50211-703-000	55		
		50211-703-010	55		
		50241-703-000	55		
		50241-703-010	55		
		50287-703-000	55		

PART No. INDEX

Part No.	Page	Part No.	Page	Part No.	Page
50610-703-811	45	54341-703-000	55	61711-703-000	69
50610-703-812	45	54341-703-305	55	61730-703-810	77
50671-703-810	45	54382-703-000	55	61771-703-000	69
	65	54410-703-000	47		
50691-703-000	45	54410-703-600	53		
50692-703-000	45	54410-703-601	53	63000	
		54411-703-600	53	63311-703-010	65
51000		54460-701-000	49	63311-703-020	65
51210-703-010	65	54460-701-010	49	63581-703-000	61
51210-703-020	65	54482-701-000	49	63587-703-000	61
51210-703-030	65	54483-701-000	49	63610-703-303C	61
51510-703-000	65	54510-703-620	53	63610-703-000C	61
51510-703-010	65	54510-703-621	53		
51521-703-000	65	54583-701-000	49	66000	
51535-703-000	65	54610-703-000	47	66111-703-820	55
51620-703-000	45	54610-703-020	47	66111-703-620	55
51620-703-010	45	54620-703-000	47		
		54620-703-020	47	80000	
53000		54651-700-305	71	80151-703-810	45
53110-703-000	47	54691-703-000	47	80311-703-810	45
53110-703-020	47	54691-703-810	53	80134-703-601	53
53150-703-000	47	54710-703-010	47		
53150-703-020	47	54710-703-600	53	83000	
53311-703-000	47	54710-703-601	53	83120-703-000C	55
53110-703-621	53	54720-703-600	53	83120-703-030C	55
53110-703-622	53	54781-703-000	47	83181-703-000	55
53150-703-600	53	54782-703-000	49	83151-703-600	63
53150-703-601	53	54783-703-010	47	83550-703-600	53
53631-703-601	53	54788-703-000	39	83650-703-601	53
53710-703-601	53		47		
53751-703-600	53	59000		84000	
53751-703-601	53	59101-703-810C	69	84701-703-601	53
53760-703-621	53	59101-703-810R	69		
53781-703-600	53	59151-703-810	75	87000	
53782-703-601	53	59301-703-000C	65	87101-703-000	65
53783-703-600	53	59351-703-000C	65	87101-703-305	65
53784-703-600	53	59401-703-000	65		
		59440-703-810	81	89000	
54000				89211-001-000	63
54140-703-000	55	61000		89214-700-000	63
54171-703-000	27	61110-703-000R	69	89215-700-000	63
54172-703-000	27	61210-703-000R	69	89215-703-000	63
54310-703-000	55	61311-703-000R	69	89216-264-000	63
54310-703-305	55	61321-703-000R	69	89216-703-000	63
54310-703-600	55				

PART No. INDEX

Part No.	Page	Part No.	Page	Part No.	Page
89231-001-000	63	90458-703-000	23	91131-701-010	23
90000		90459-703-000	23	91131-703-000	9
90011-703-000	11	90471-703-000	23	91201-703-000	17
90011-001-000	11	90472-703-000	15	91202-703-000	27
90012-200-000	11		27	91203-703-000	9
90015-703-000	27	90475-703-000	25	91204-703-000	33
90031-703-000	21	90434-703-000	7	91204-704-005	33
90036-703-000	21		15	91205-703-000	39
90041-703-000	17	90476-703-000	15		43
90081-703-000	39	90481-001-020	11	91206-703-000	15
	43	90504-700-000	27	91301-703-000	39
90082-703-020	43	90531-703-000	65	91302-700-000	7
90084-703-000	11	90582-703-000	61	91302-001-020	7
90103-700-010	71	90583-703-000	49	91306-703-000	7
90111-703-000	59	90601-701-000	21	91307-703-000	43
90112-703-000	59	90602-703-000	21	91308-703-000	17
90131-703-000	65	90603-703-000	17	91308-703-010	27
90132-703-000	49	90603-703-010	17	91309-703-000	17
90133-703-000	51	90604-703-000	17	91311-703-000	39
90134-703-810	69	90651-700-000	27		43
90135-703-000	51		57	91312-703-000	39
90138-703-000	65	90652-700-000	69		43
90139-703-000	65	90653-701-000	37	91313-703-010	17
90141-703-600	45		51	91319-703-000	43
90148-700-000	45	90701-001-000	7	91356-703-600	53
90206-001-000	11	90703-200-000	7		
90231-703-000	9		25		
	15	90719-200-000	9		
90231-200-010	9	90741-703-000	9		
	15	90751-703-000	37		
90301-703-601	53	90752-701-000	51		
90381-703-000	65	90752-703-000	51		
90382-700-000	49	90753-703-000	69		
90404-703-000	15	90754-700-000	69		
90426-001-000	33	90755-700-000	75		
90431-216-010	9	90781-703-600	53		
	15	91000			
90451-703-000	21	91001-703-000	23		
90453-703-000	21	91022-703-000	23		
90454-703-000	21	91023-703-000	23		
90455-701-000	21	91023-703-010	23		
90455-703-000	21	91041-703-000	9		
90456-703-000	21	91042-703-000	15		
90457-703-000	43	91101-703-000	9		
		91105-701-000	23		



HONDA

HONDA MOTOR CO., LTD. TOKYO, JAPAN

147033

©SK A3007510
PRINTED IN JAPAN