

DIV. 3
SEC. B BH MODELS
PGE.20



tecnamotor^{spa} DIV. 3
TURIN, ITALY SEC. B
ISSUED MAY 1986 PGE.20
REVISED

<u>MODEL</u>	<u>BORE</u>	<u>STROKE</u>	<u>CAPACITY</u>
BH 153	63.50MM	46.80MM	148 CC
BH 173	66.70MM	49.00MM	172 CC
BH 173-G	66.70MM	49.00MM	172 CC

<u>MODEL</u>	<u>SPECIFICATIONS</u>
BH 153	E-45024A F-45030A
BH 173	E-55026A E-55028A E-55029A
BH 173-G	E-55904A E-55906A

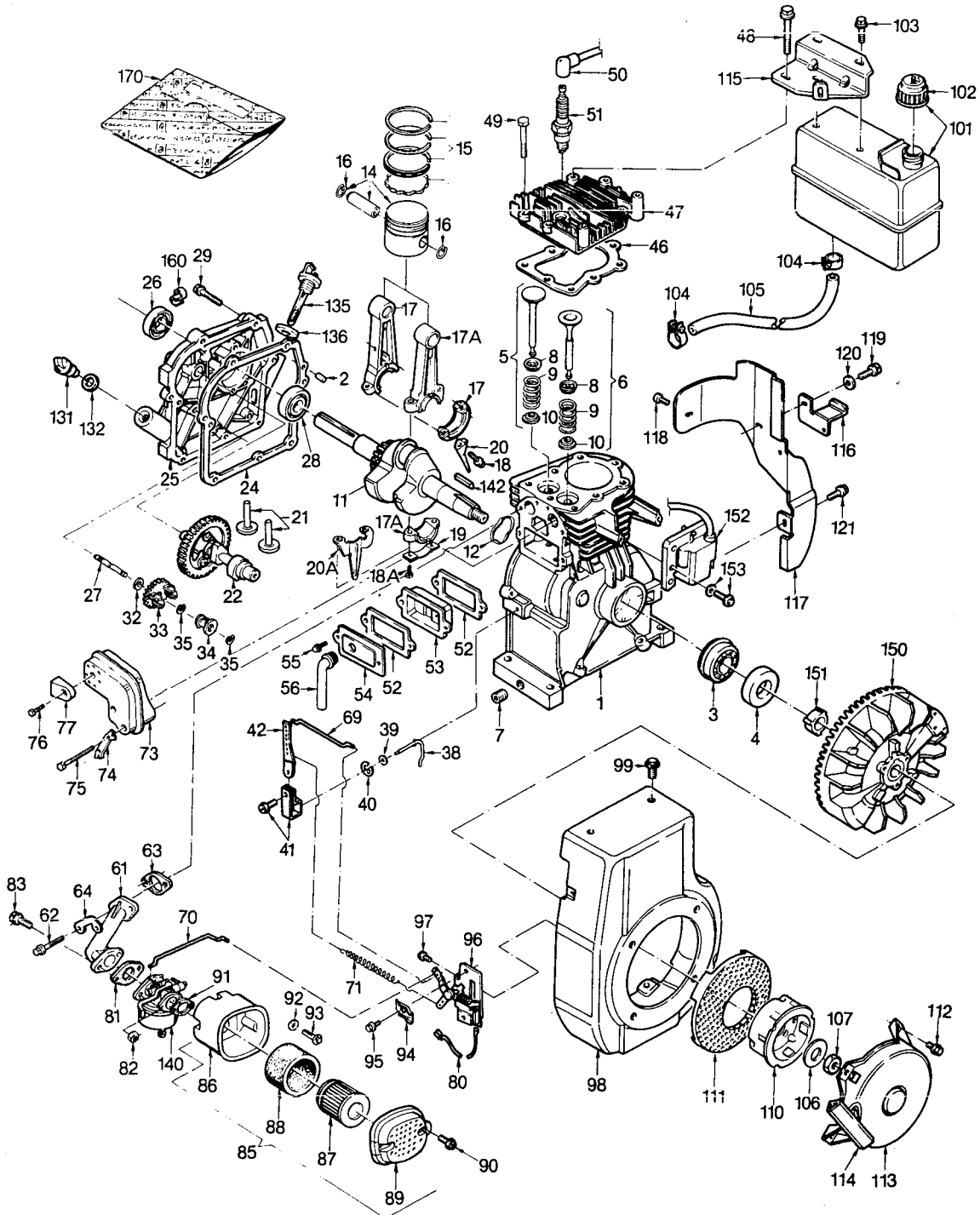
DIV. 3 SUB-ASSEMBLY DETAILS FOR-
 SEC. B BH MODELS
 PGE.21 BY SPECIFICATION NUMBER.



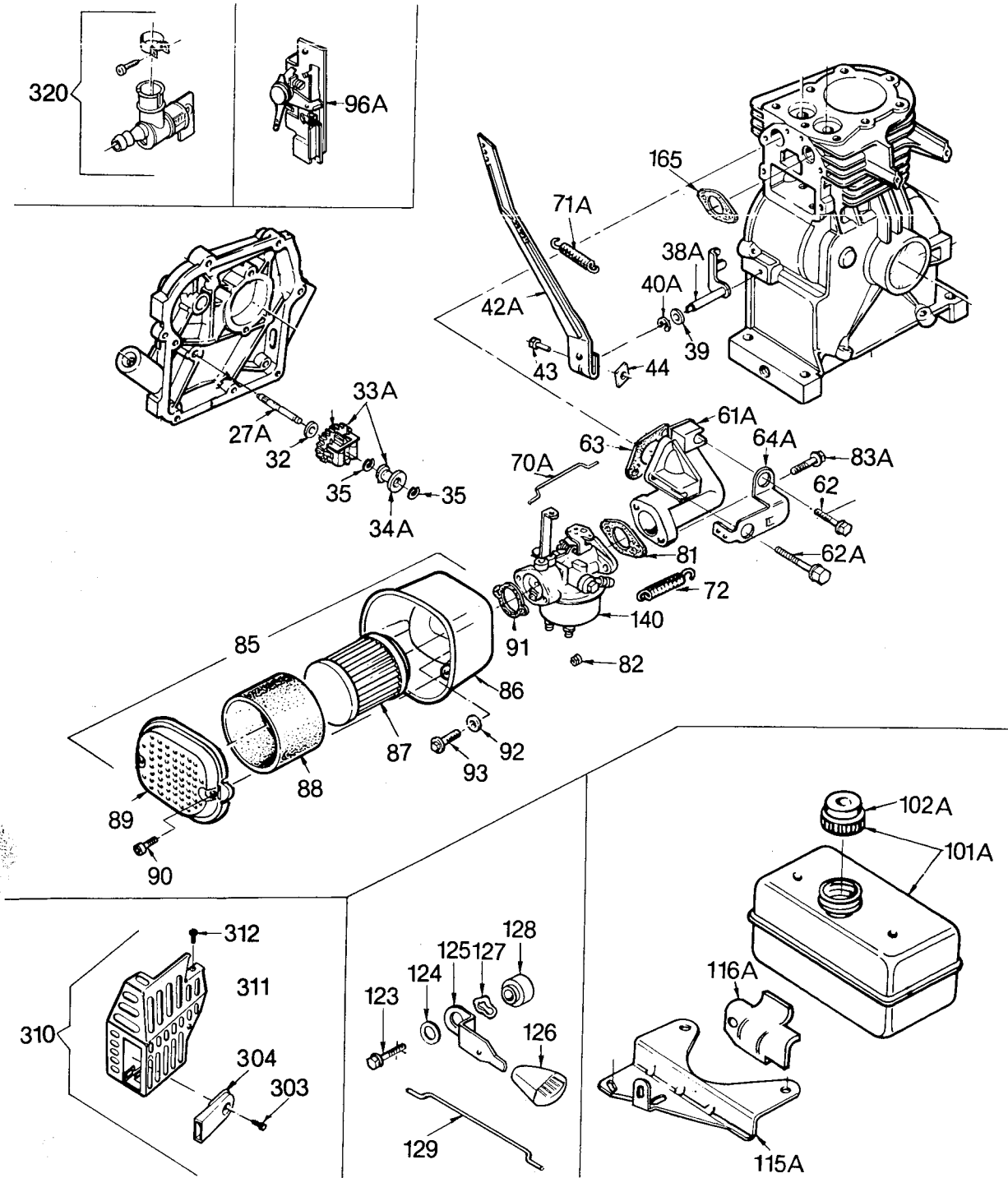
tecnamotor DIV. 3
 TURIN, ITALY SEC. B
 ISSUED MAY 1986 PGE.21
 REVISED

							IDLE RPM	HIGH RPM
BH 153	: CARB.	IN 5A: MAGNETO	IN 5B: STARTER	IN 5C: CRANKSHAFT:	+/-200	: +/-100		
E-45024A	: 23020093	12 : USE PARTS	: 14210047	3 : 16070106	: 2000	: 3500		
E-45030A	: 23020093	12 : USE PARTS	: 14210047	3 : 16070107	: 2000	: 3500		
							IDLE RPM	HIGH RPM
BH 173	: CARB.	IN 5A: MAGNETO	IN 5B: STARTER	IN 5C: CRANKSHAFT:	+/-200	: +/-100		
E-55026A	: 23020092	9 : USE PARTS	: 14210047	3 : 16070108	: 2000	: 3500		
E-55028A	: 23020092	9 : USE PARTS	: 14210047	3 : 16070109	: 2000	: 3500		
E-55029A	: 23020092	9 : USE PARTS	: 14210047	3 : 16070110	: 2000	: 3150		
							IDLE RPM	HIGH RPM
BH 173-G	: CARB.	IN 5A: MAGNETO	IN 5B: STARTER	IN 5C: CRANKSHAFT:	+/-200	: +/-100		
E-55904A	: 23020091	15 : USE PARTS	: 14210047	3 : 16070110	:	: 3150		
E-55906A	: 23020091	15 : USE PARTS	: 14210047	3 : 16070110	:	: 3150		

NOTE. MODEL NO'S LISTED ABOVE WILL NOT BE REFERRED TO IN THE PARTS LIST. USE SPEC. NO. ONLY.



NOTE. FOR PART NUMBERS RELATING TO THE ABOVE EXPLODED DRAWING REFER TO NEXT GRID.



NOTE. FOR PART NUMBERS RELATING TO THE ABOVE EXPLODED DRAWING REFER TO NEXT GRID.



1	16010044	CYLINDER ASSY. 63.50MM BORE INC.- 2,3,4,7 FOR SPEC.NO'S. - E-45024A E-45030A	14	(16090008	PISTON & PIN ASSY. (OVERSIZE 0.25MM (INC.- 16
1	16010045	CYLINDER ASSY. 66.70MM BORE INC.- 2,3,4,7 FOR SPEC.NO'S. - E-55026A E-55028A,29A	14	(16090009	PISTON & PIN ASSY. (OVERSIZE 0.50MM (INC.- 16 (FOR SPEC.NO'S. - E-45024A E-45030A
1	16010046	CYLINDER ASSY. 66.70MM BORE INC.- 2,3,4,7 FOR SPEC.NO'S. - E-55904A E-55906A	14A	(16090010	PISTON & PIN ASSY. (STANDARD 66.70MM BORE (INC.- 16
2	29410001	PIN,DOWEL	14A	(16090011	PISTON & PIN ASSY. (OVERSIZE 0.25MM (INC.- 16
3	27430009	BEARING,BALL	14A	(16090012	PISTON & PIN ASSY. (OVERSIZE 0.50MM (INC.- 16 (FOR SPEC.NO'S. - E-55026A E-55028A,29A
4	29610034	*SEAL,OIL	14B	(16090030	PISTON & PIN ASSY. (STANDARD 66.70MM BORE (INC.- 16
5	(16130005	VALVE ASSY.INTAKE (STANDARD (INC.- 8,9,10	14B	(16090031	PISTON & PIN ASSY. (OVERSIZE 0.25MM (INC.- 16
5	(16130006	VALVE ASSY.INTAKE (OVERSIZE 0.80MM (INC.- 8,9,10	14B	(16090032	PISTON & PIN ASSY. (OVERSIZE 0.50MM (INC.- 16 (FOR SPEC.NO'S. - E-55904A E-55906A
6	(16140005	VALVE ASSY.EXHAUST (STANDARD (INC.- 8,9,10	15	(16100009	RING SET,PISTON (STANDARD 63.50MM BORE
6	(16140006	VALVE ASSY.EXHAUST (OVERSIZE 0.80MM (INC.- 8,9,10	15	(16100010	RING SET,PISTON (OVERSIZE 0.25MM
7	29320032	PLUG,OIL DRAIN	15	(16100011	RING SET,PISTON (OVERSIZE 0.50MM (FOR SPEC.NO'S. - E-45024A E-45030A
8	22470008	CAP,VALVE SPRING UPPER	15A	(16100012	RING SET,PISTON (STANDARD 66.70MM BORE
9	27910003	SPRING,VALVE	15A	(16100013	RING SET,PISTON (OVERSIZE 0.25MM
10	22470006	CAP,VALVE SPRING LOWER	15A	(16100014	RING SET,PISTON (OVERSIZE 0.50MM (FOR SPEC.NO'S. - E-55026A E-55028A,29A
11	16070106	CRANKSHAFT ASSY. INC.- 12 FOR SPEC.NO'S. - E-45024A	15B	(16100015	RING SET,PISTON (STANDARD 66.70MM BORE
11	16070107	CRANKSHAFT ASSY. INC.- 12 FOR SPEC.NO'S. - E-45030A	15B	(16100016	RING SET,PISTON (OVERSIZE 0.25MM
11	16070108	CRANKSHAFT ASSY. INC.- 12 FOR SPEC.NO'S. - E-55026A	15B	(16100017	RING SET,PISTON (OVERSIZE 0.50MM (FOR SPEC.NO'S. - E-55904A E-55906A
11	16070109	CRANKSHAFT ASSY. INC.- 12 FOR SPEC.NO'S. - E-55028A	16	29450004	RETAINER,PISTON PIN
11	16070110	CRANKSHAFT ASSY. INC.- 12 FOR SPEC.NO'S. - E-55029A E-55904A,06A	17	16110011	ROD ASSY.CONNECTING INC.- 18,20
12	29590029	WASHER,THRUST			
14	(16090007	PISTON & PIN ASSY. (STANDARD 63.50MM BORE (INC.- 16			

CONT'D

CONT'D

NOTE.

ALWAYS CHECK MASTER PRICE LIST FOR REPLACEMENT PART NUMBERS.

DIV. 3
SEC. B BH MODELS
PGE.25



tecnamotor^{spa} DIV. 3
TURIN, ITALY SEC. B
ISSUED MAY 1986 PGE.25
REVISED

17	16110011	FOR SPEC.NO'S. - E-55026A E-55028A THRU E-55904A E-55906A	33A	16170004	FOR SPEC.NO'S. - E-55904A E-55906A
17A	16110007	ROD ASSY.CONNECTING INC.- 18A,19,20A FOR SPEC.NO'S. - E-45024A E-45030A	34	22740001	SPOOL,GOVERNOR ALL SPECS.EXCEPT- E-55904A E-55906A
18	<32610	> SCREW,CONNECTING ROD > WAS:29190164 ALL SPECS.EXCEPT- E-45024A E-45030A	34A	22740007	SPOOL,GOVERNOR FOR SPEC.NO'S. - E-55904A E-55906A
18A	29190039	SCREW,CONNECTING ROD FOR SPEC.NO'S. - E-45024A E-45030A	35	29450005	RETAINER,GOVERNOR
19	29490025	CLIP,CONNECTING ROD FOR SPEC.NO'S. - E-45024A E-45030A	38	22750014	SHAFT,GOVERNOR ALL SPECS.EXCEPT- E-55904A E-55906A
20	22330006	DIPPER,OIL ALL SPECS.EXCEPT- E-45024A E-45030A	38A	12720002	SHAFT,GOVERNOR FOR SPEC.NO'S. - E-55904A E-55906A
20A	22330005	DIPPER,OIL FOR SPEC.NO'S. - E-45024A E-45030A	39	29510015	WASHER,GOV.SHAFT FOR SPEC.NO'S. - E-55904A E-55906A
21	22440001	LIFTER,VALVE INTAKE & EXHAUST	39	29510029	WASHER,GOV.SHAFT ALL SPECS.EXCEPT- E-55904A E-55906A
22	16120012	CAMSHAFT ASSY. MECH.COMPRESSION RELEASE ALL SPECS.EXCEPT- E-45024A E-45030A	40	29450006	RETAINER,GOV.SHAFT ALL SPECS.EXCEPT- E-55904A E-55906A
22	22410048	CAMSHAFT ASSY. LOBE COMPRESSION RELEASE FOR SPEC.NO'S. - E-45024A E-45030A	40A	29450021	RETAINER,GOV.SHAFT FOR SPEC.NO'S. - E-55904A E-55906A
24	29630020	*GASKET,CYL.COVER	41	16500010	CLAMP,GOVERNOR LEVER ALL SPECS.EXCEPT- E-55904A E-55906A
25	16040013	COVER,CYLINDER ASSY. INC.- 26,27,28 ALL SPECS.EXCEPT- E-55904A E-55906A	42	27240089	LEVER,GOVERNOR ALL SPECS.EXCEPT- E-55904A E-55906A
25	16040014	COVER,CYLINDER ASSY. INC.- 26,27A,28 FOR SPEC.NO'S. - E-55904A E-55906A	42A	27240064	LEVER,GOVERNOR FOR SPEC.NO'S. - E-55904A E-55906A
26	29610002	SEAL,OIL	43	29190041	SCREW,GOVERNOR LEVER FOR SPEC.NO'S. - E-55904A E-55906A
27	22720001	SHAFT,GOVERNOR GEAR ALL SPECS.EXCEPT- E-55904A E-55906A	44	29220001	NUT,SQUARE FOR SPEC.NO'S. - E-55904A E-55906A
27A	22720007	SHAFT,GOVERNOR GEAR FOR SPEC.NO'S. - E-55904A E-55906A	46	29620003	*GASKET,CYLINDER HEAD FOR SPEC.NO'S. - E-45024A E-45030A
28	27430001	BEARING,BALL	46	29620005	*GASKET,CYLINDER HEAD ALL SPECS.EXCEPT- E-45024A E-45030A
29	29190171	SCREW,CYLINDER COVER	47	21210025	HEAD,CYLINDER FOR SPEC.NO'S. - E-45024A E-45030A
32	29510015	WASHER,GOVERNOR GEAR	47	21210026	HEAD,CYLINDER ALL SPECS.EXCEPT- E-45024A E-45030A
33	16170001	GEAR ASSY.GOVERNOR ALL SPECS.EXCEPT- E-55904A E-55906A	48	29180067	SCREW,CYLINDER HEAD
33A	16170004	GEAR ASSY.GOVERNOR INC.- 34A	49	29180063	SCREW,CYLINDER HEAD
			50	15950001	COVER,SPARK PLUG

CONT'D

NOTE.

ALWAYS CHECK MASTER PRICE LIST FOR REPLACEMENT PART NUMBERS.



51		SPARK PLUG RESISTOR			
52	29630004	*GASKET, BREATHER		83A	29190172
53	16190005	BREATHER ASSY.			SCREW, CARBURETTOR FOR SPEC.NO'S. - E-55904A
54	21660011	COVER, VALVE BOX			E-55906A
55	29190169	SCREW, BREATHER		85	13400047
56	21670007	TUBE, BREATHER			FILTER ASSY. AIR DUAL
61	28510025	PIPE, INTAKE			INC. 86, 87, 88, 89 90
		ALL SPECS. EXCEPT- E-55904A		86	23420039
		E-55906A		87	23410022
61A	28510026	PIPE, INTAKE			BODY, AIR FILTER ELEMENT, AIR FILTER PAPER
		FOR SPEC.NO'S. - E-55904A		88	23410021
		E-55906A			ELEMENT, AIR FILTER FELT
62	29190172	SCREW, INTAKE PIPE		89	23430041
		ALL SPECS. EXCEPT- E-55904A		90	29190156
		E-55906A		91	29630086
62A	29190173	SCREW, INTAKE PIPE		92	29510067
		FOR SPEC.NO'S. - E-55904A		93	29190041
		E-55906A		94	(29490004
63	29630093	*GASKET, INTAKE PIPE		95	(29190039
64	27530025	PLATE, LOCK			SCREW, CONDUIT CLIP ALL SPECS. EXCEPT- E-45030A
		ALL SPECS. EXCEPT- E-55904A			E-55028A, E-55906A
		E-55906A		96	16520002
64A	27530026	LEVER, ADJUSTING			CONTROL ASSY. ALL SPECS. EXCEPT- E-55904A
		FOR SPEC.NO'S. - E-55904A			E-55906A
		E-55906A		96A	16520005
69	27250033	LINK, GOVERNOR			CONTROL ASSY. FOR SPEC.NO'S. - E-55904A
		ALL SPECS. EXCEPT- E-55904A			E-55906A
		E-55906A		97	29190039
70	27250034	LINK, THROTTLE		98	14320038
		ALL SPECS. EXCEPT- E-55904A		99	29190038
		E-55906A		101	16210016
70A	27250029	LINK, THROTTLE			TANK ASSY. FUEL INC.-102
		FOR SPEC.NO'S. - E-55904A			FOR SPEC.NO'S. - E-45024A
		E-55906A			E-45030A THRU E-55029A
71	27920022	SPRING, GOVERNOR		101A	16225009
		ALL SPECS. EXCEPT- E-55904A			TANK ASSY. FUEL INC.-102A
		E-55906A			FOR SPEC.NO'S. - E-55906A
71A	27920106	SPRING, GOVERNOR		102	23350019
		FOR SPEC.NO'S. - E-55904A			CAP, TANK ASSY. FOR SPEC.NO'S. - E-45024A
		E-55906A			E-45030A THRU E-55029A
72	27920103	SPRING, RELEASE		102A	23350013
		FOR SPEC.NO'S. - E-55904A			CAP, TANK ASSY. FOR SPEC.NO'S. - E-55906A
		E-55906A		103	29190096
73	(21520103	MUFFLER			SCREW, TANK ASSY. ALL SPECS. EXCEPT- E-55904A
74	(27530005	PLATE, LOCK		104	(29490031
75	(29190089	SCREW, MUFFLER		105	(26270001
76	(29190010	SCREW, BAFFLE			(L = 370MM (AVAILABLE ONLY IN 5M. COILS. (ORDER PART NO. 16270001 (ALL SPECS. EXCEPT- E-55904A
77	21520104	BAFFLE, EXHAUST		106	29510050
		ALL SPECS. EXCEPT- E-55904A		107	29210020
		E-55906A		110	24220014
80	14940012	WIRE, GROUND		111	27540027
81	29630013	*GASKET, CARBURETTOR		112	29190058
82	29210013	NUT, CARBURETTOR		113	14210047
83	29190171	SCREW, CARBURETTOR			STARTER ASSY. SEE DIV. 5 : SEC.C: PAGE 3 CONT'D
		ALL SPECS. EXCEPT- E-55904A			
		E-55906A			

NOTE.

ALWAYS CHECK MASTER PRICE LIST FOR REPLACEMENT PART NUMBERS.

DIV. 3
SEC. B BH MODELS
PGE.27



tecnamotor ^{spa} DIV. 3
TURIN, ITALY SEC. B
ISSUED MAY 1986 PGE.27
REVISED

113	14210047	FOR SPEC.NO'S. - E-45024A E-45030A THRU E-55904A E-55906A	142	29410009	KEY, FLYWHEEL SOLID STATE
114	24230004	HANDLE, STARTER	150	24110032	FLYWHEEL SOLID STATE
115	27410106	BRACKET, TANK ASSY. UPPER FOR SPEC.NO'S. - E-45024A E-45030A THRU E-55029A	151	29490055	SPACER, FLYWHEEL
115A	27410107	BRACKET, TANK ASSY. UPPER FOR SPEC.NO'S. - E-55906A	152	14160013	COIL & LAMINATION SOLID STATE
116	27410108	BRACKET, TANK ASSY. LOWER FOR SPEC.NO'S. - E-45024A E-45030A THRU E-55029A	153	29190168	SCREW, COIL ASSY
116A	27410097	BRACKET, TANK ASSY. LOWER FOR SPEC.NO'S. - E-55906A	160	29490005	CLAMP, FUEL PIPE ALL SPECS.EXCEPT- E-55904A
117	24330036	EXTENSION, BLOWER HSG	165	29630002	*GASKET, MUFFLER FOR SPEC.NO'S. - E-55904A
118	29180009	SCREW, EXTENSION	170	16610030	GASKET SET
119	29190038	SCREW, EXTENSION FOR SPEC.NO'S. - E-55904A E-55906A	320	16260002	VALVE, SHUT-OFF ALL SPECS.EXCEPT- BH 173-G
119	29190051	SCREW, EXTENSION ALL SPECS.EXCEPT- E-55904A E-55906A			
120	29510010	WASHER, EXTENSION ALL SPECS.EXCEPT- E-55904A E-55906A			
120	29510016	WASHER, EXTENSION FOR SPEC.NO'S. - E-55904A E-55906A			
121	29190038	SCREW, EXTENSION			
123	(29190170)	SCREW, CONTROL LEVER			
124	(29510052)	WASHER, CONTROL LEVER			
125	(27240099)	LEVER, CONTROL			
126	(24230009)	KNOB, CONTROL LEVER			
127	(29590002)	WASHER, WAVE			
128	(27420029)	SPACER, CONTROL LEVER			
129	(27250036)	LINK, CONTROL LEVER FOR SPEC.NO'S. - E-45030A E-55028A, E-55906A			
131	29320002	PLUG, OIL FILLER			
132	29630008	*GASKET, OIL FILLER			
135	29320040	DIPSTICK, OIL			
136	29630094	*GASKET, OIL DIPSTICK			
140	23020091	CARBURETTOR SEE DIV. 5 :SEC.A:PAGE 15 FOR SPEC.NO'S. - E-55904A E-55906A			
140	23020092	CARBURETTOR SEE DIV. 5 :SEC.A:PAGE 9 FOR SPEC.NO'S. - E-55026A E-55028A, 29A			
140	23020093	CARBURETTOR SEE DIV. 5 :SEC.A:PAGE 12 FOR SPEC.NO'S. - E-45024A E-45030A			

CODES - * INDICATES AN ITEM INCLUDED
IN A GASKET SET.
< > INDICATES A SUPERSEDED OR
OBSOLETE PART NO. THE ORIGINAL
NO. OR OBSOLETE IS SHOWN BELOW.
NOTE. THE COMPLETE MAGNETO IS NOT
AVAILABLE AS AN ASSEMBLY. ORDER
COMPONENT PARTS AS SHOWN IN THE
PARTS LIST.

NOTE. ALWAYS CHECK MASTER PRICE LIST FOR REPLACEMENT PART NUMBERS.