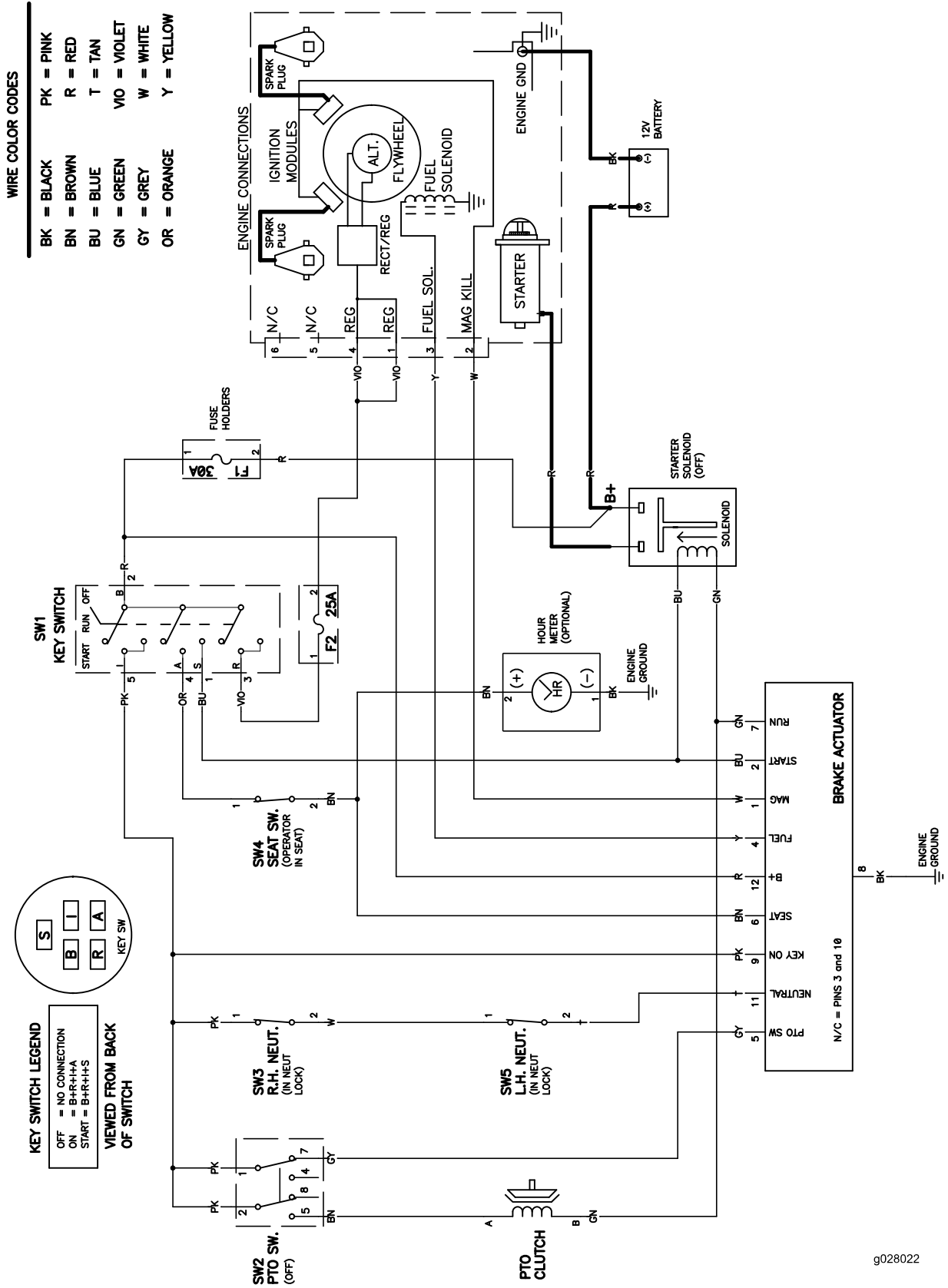


Schematics



g028022

g028022

Electrical Diagram (Rev. A)