



**REPAIR  
PARTS MANUAL  
MODEL NO. 16.5 HP-107 CM (CM165T42A)  
Lawn Tractor**

---

**PREDATOR**

# HOW TO USE THIS MANUAL

This manual is designed to provide the customer with a means to identify the parts on his/her tractor when ordering repair parts. The illustrations may or may not represent the actual assemblies; therefore, it is not recommended to use this manual as a guide to assemble or disassemble the tractor. Some hardware and parts are drawn larger in order to more readily identify them.

Each tractor has its own model number.

The model number for your tractor can be found on the fender under the seat.

When ordering parts, always give the following information:

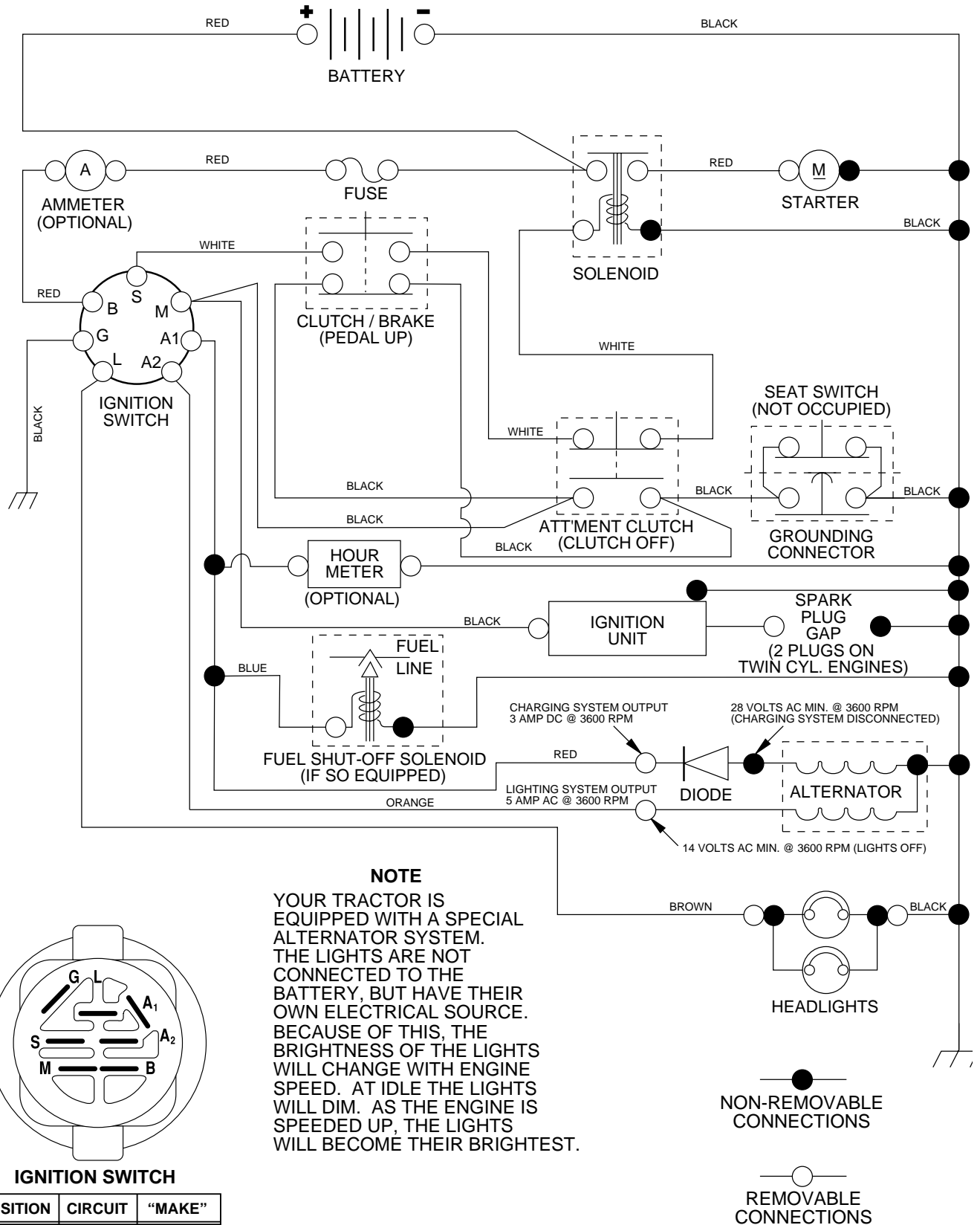
- Product - "Lawn Tractor"
- Model Number - 16.5 HP-107 CM (CM165T42A)
- Part Number
- Part Description

## TABLE OF CONTENTS

|                               |              |
|-------------------------------|--------------|
| <b>SCHEMATIC</b> .....        | <b>3</b>     |
| <b>ELECTRICAL</b> .....       | <b>4-5</b>   |
| <b>CHASSIS</b> .....          | <b>6-7</b>   |
| <b>DRIVE</b> .....            | <b>8-9</b>   |
| <b>STEERING WHEEL</b> .....   | <b>10-11</b> |
| <b>ENGINE</b> .....           | <b>12-13</b> |
| <b>MOWER DECK</b> .....       | <b>14-15</b> |
| <b>MOWER LIFT LEVER</b> ..... | <b>16-17</b> |
| <b>SEAT</b> .....             | <b>18</b>    |
| <b>DECALS</b> .....           | <b>19</b>    |

# TRACTOR - - MODEL NUMBER 16.5 HP-107CM (CM165T42A)

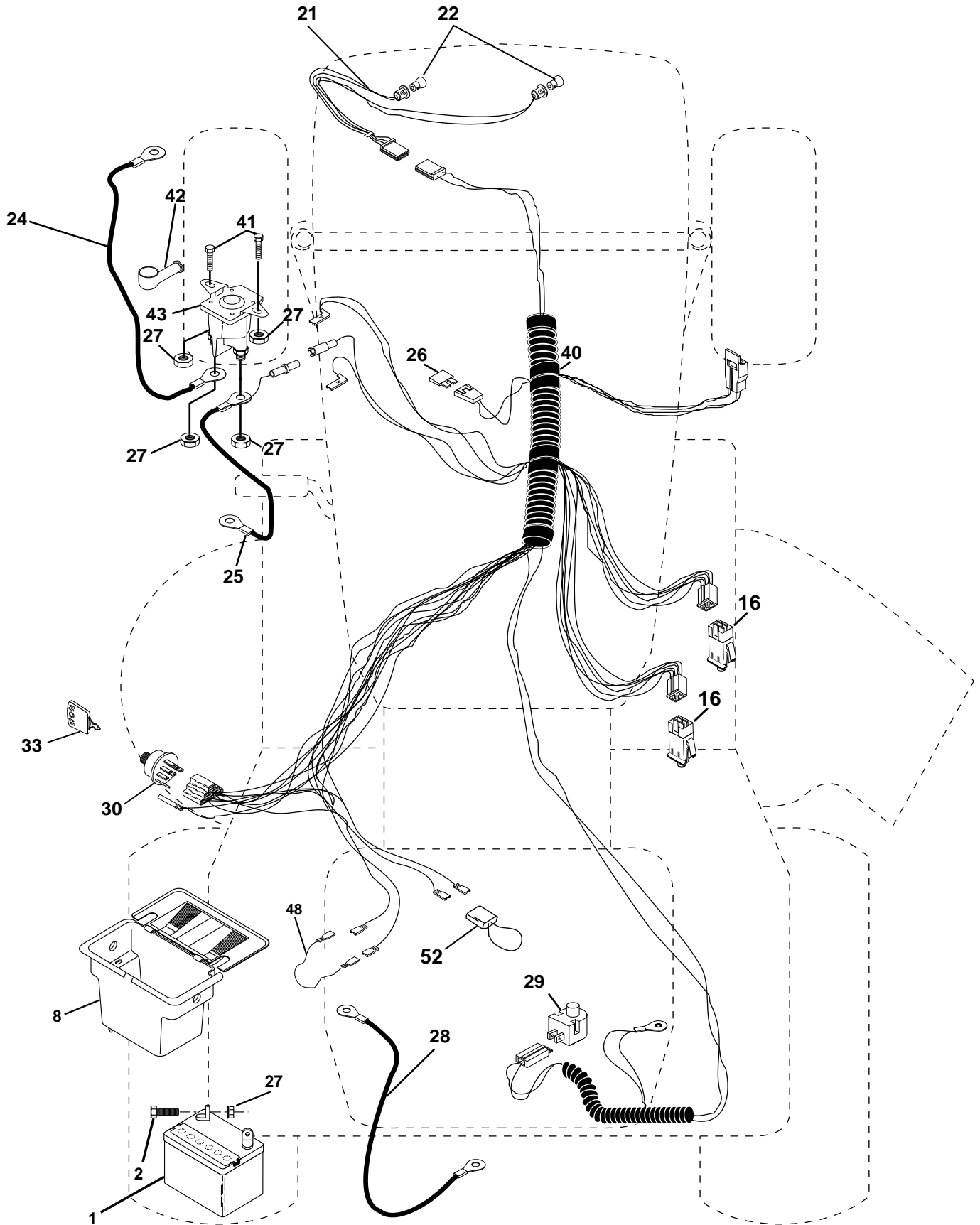
## SCHEMATIC



# REPAIR PARTS

TRACTOR - - MODEL NUMBER 16.5 HP-107CM (CM165T42A)

## ELECTRICAL



# REPAIR PARTS

## TRACTOR - - MODEL NUMBER 16.5 HP-107CM (CM165T42A)

### ELECTRICAL

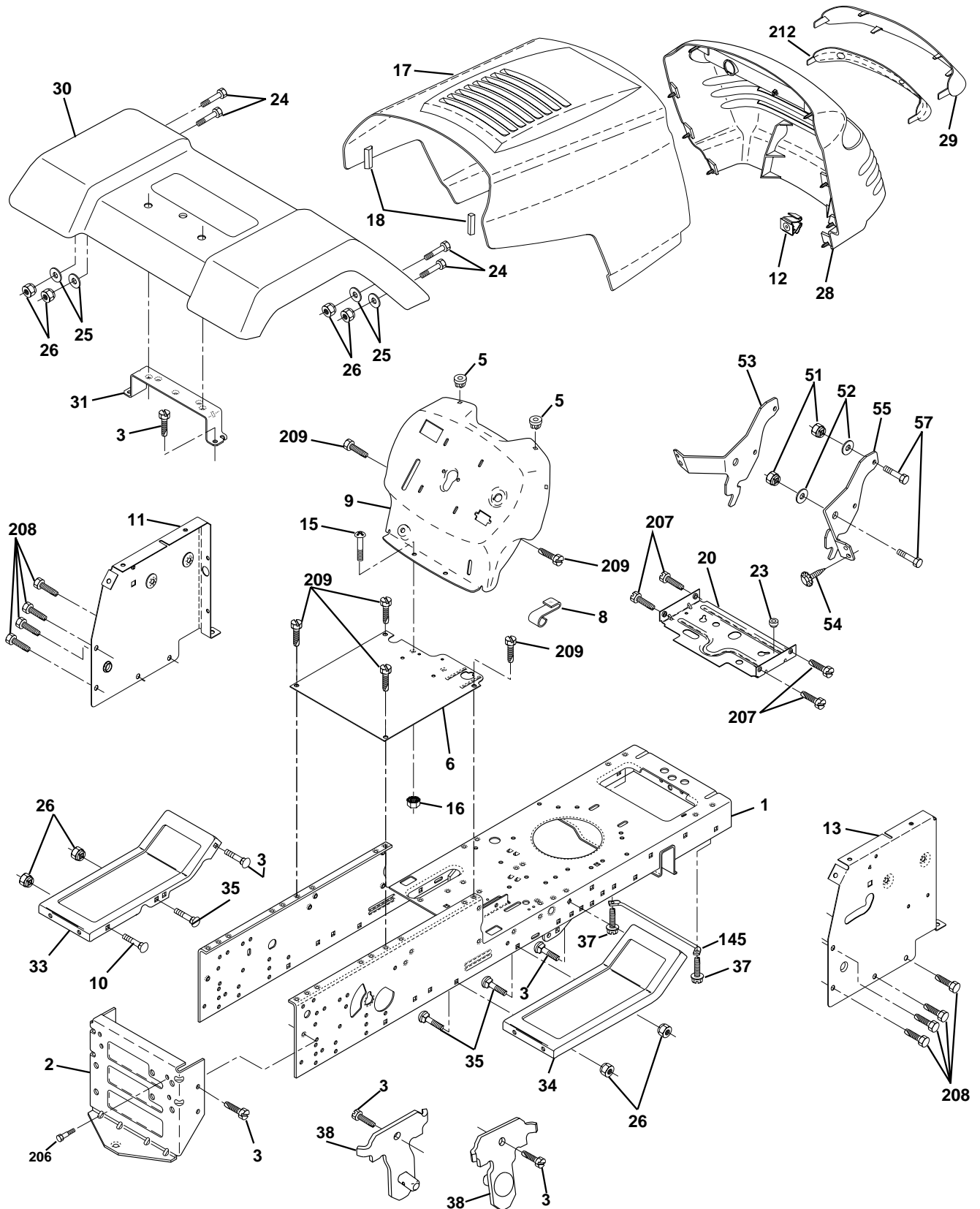
| KEY NO. | PART NO  | DESCRIPTION                     |
|---------|----------|---------------------------------|
| 1       | 144925   | Battery 12 Volt 25 AMP          |
| 2       | 74760412 | Bolt Hex Hd 1/4-20unc X 3/4     |
| 8       | 156417   | Case Battery                    |
| 16      | 153664   | Switch Interlock Push-In        |
| 21      | 166181   | Harness Asm Light W/4152j       |
| 22      | 4152J    | Bulb Light #1156                |
| 24      | 108423x  | Cable Battery 6 Ga 11" red      |
| 25      | 146147   | Cable Battery 6 Ga 44" red      |
| 26      | 175158   | Fuse 20 AMP                     |
| 27      | 73510400 | Nut Keps Hex 1/4-20             |
| 28      | 4207J    | Cable Ground 6 Ga 12" black     |
| 29      | 121305X  | Switch Plunger Nc Gray          |
| 30      | 175566   | Switch Ign                      |
| 33      | 140401   | Key Ign                         |
| 40      | 170217   | Harness Ignition                |
| 41      | 71110408 | Bolt Blk Fin Hex 1/4 - 20 x 1/2 |
| 42      | 131563   | Cover Terminal Red              |
| 43      | 175141   | Solenoid                        |
| 48      | 140844   | Adapter Ammeter                 |
| 52      | 141940   | Protection Wire Loop            |

**NOTE:** All component dimensions give in U.S. inches  
1 inch = 25.4 mm.

# REPAIR PARTS

TRACTOR - - MODEL NUMBER 16.5 HP-107CM (CM165T42A)

## CHASSIS AND ENCLOSURES



# REPAIR PARTS

## TRACTOR - - MODEL NUMBER 16.5 HP-107CM (CM165T42A)

### CHASSIS AND ENCLOSURES

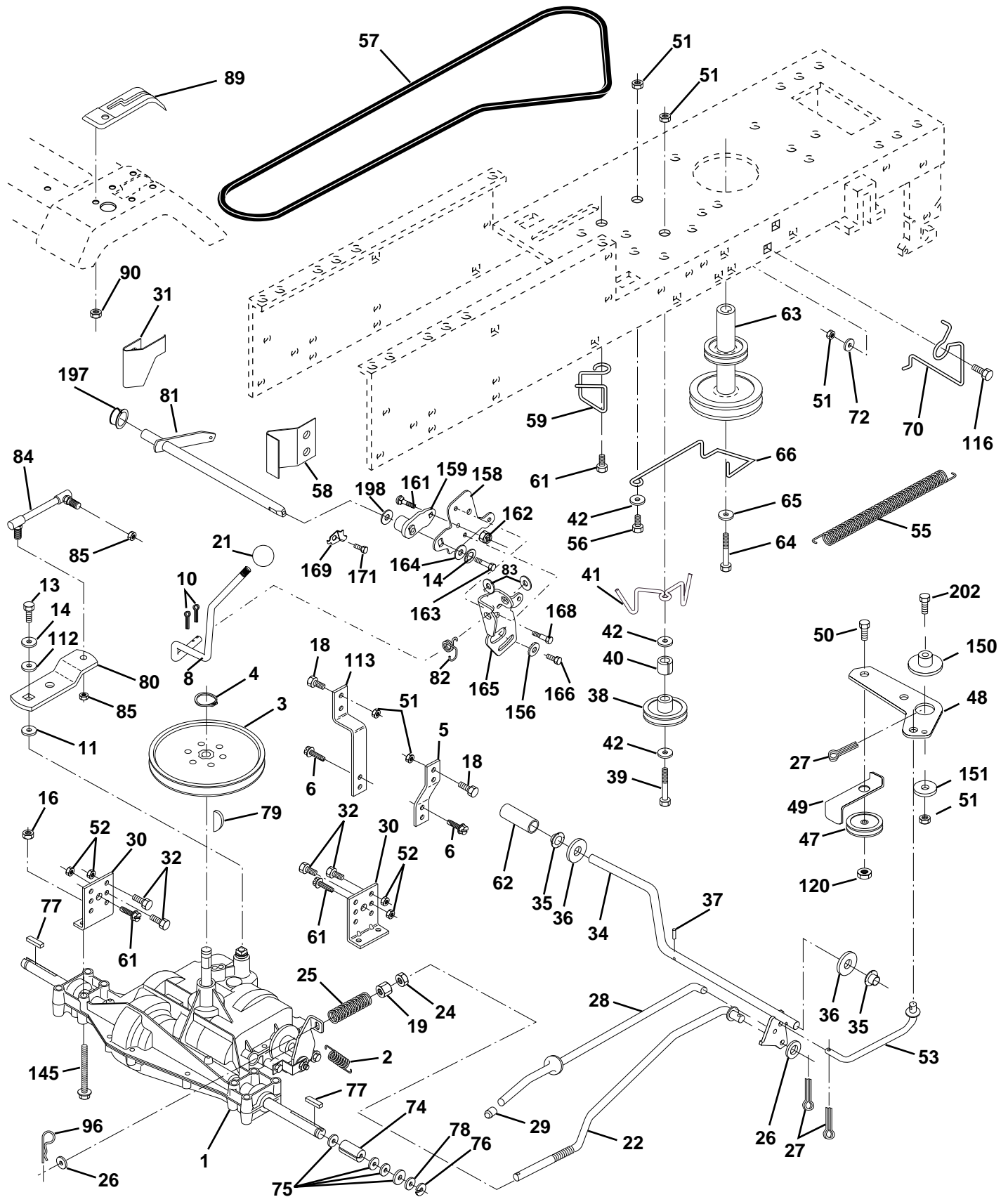
| KEY NO. | PART NO.   | DESCRIPTION                        |
|---------|------------|------------------------------------|
| 1       | 169831     | Chassis                            |
| 2       | 169061     | Drawbar 12 Ga.                     |
| 3       | 17060612   | Screw 3/8-16x3/4                   |
| 5       | 155272     | BumperHood/Dash                    |
| 6       | 155923     | Saddle LT Fender Shift             |
| 8       | 155138     | Clip Retainer Slide-On             |
| 9       | 168347X011 | Dash Private Label                 |
| 10      | 72140608   | Bolt Carriage 3/8-16 x 1           |
| 11      | 155927     | Panel Pnt Dash Lh                  |
| 12      | 145660     | Clip Tinnerman Grille P/L          |
| 13      | 172107X010 | Panel Dash Rh                      |
| 15      | 74180512   | Screw, Mach Trhd 5/16-18 UNC x 3/4 |
| 16      | 73510500   | Nut Keps 5/16-18 UNC               |
| 17      | 159639X428 | Hood Paint Steel Private Label     |
| 18      | 126938X    | BumperHood                         |
| 20      | 156437     | Plate, Battery/Fuel                |
| 23      | 124028X    | Bushing, Snap-In                   |
| 24      | 74780616   | Bolt Fin Hex 3/8-16unc X 1 Gr. 5   |
| 25      | 19131312   | Washer 13/32 X 13/16 X 12 Ga       |
| 26      | 73800600   | Nut Lock Hex W/Ins 3/8-16 Unc      |
| 28      | 140434     | Grille Private Label               |
| 29      | 140273X599 | Lens Grille Private Label          |
| 30      | 169467X421 | Fender Pnt                         |
| 31      | 136619     | BracketFender                      |
| 33      | 145244X421 | Footrest Pnt Lh                    |
| 34      | 145243X421 | Footrest Pnt Rh                    |
| 35      | 72110606   | Bolt Rdhd Sht Sqnk 3/8-16 X3/4     |
| 37      | 17490508   | Screw Thdrol 5/16-18 x 1/2 Tyt     |
| 38      | 169834     | Bracket, Asm. Pivot, Mower Rear    |
| 51      | 73800400   | Nut Lock Hex W/Ins 1/4-20          |
| 52      | 19091416   | Washer 9/32 x 7/8 x 16 Ga.         |
| 53      | 144697     | Bracket, Grille, LH                |
| 54      | 161464     | Screw Hex Wshd 8-18 x 7/8          |
| 55      | 144696     | Bracket, Grille, RH                |
| 57      | 74780412   | Bolt Hex 1/4-20 x 3/4              |
| 145     | 156524     | Rod Pivot Chassis/Hood             |
| 206     | 170165     | Bolt, Shoulder5/16-18              |
| 207     | 17670508   | Screw 5/16-18 x 1/2                |
| 208     | 17670608   | Screw 3/8-16 x 1/2 B.D.            |
| 209     | 17000612   | Screw Hxwsh 3/8-16 x 3/4           |
| 212     | 156229     | Insert Lens Reflect                |
| --      | 5479J      | Plug Button                        |

**NOTE:** All component dimensions given in U.S. inches  
1 inch = 25.4 mm

# REPAIR PARTS

TRACTOR - - MODEL NUMBER 16.5 HP-107CM (CM165T42A)

DRIVE





# REPAIR PARTS

## TRACTOR - - MODEL NUMBER 16.5 HP-107CM (CM165T42A)

### DRIVE

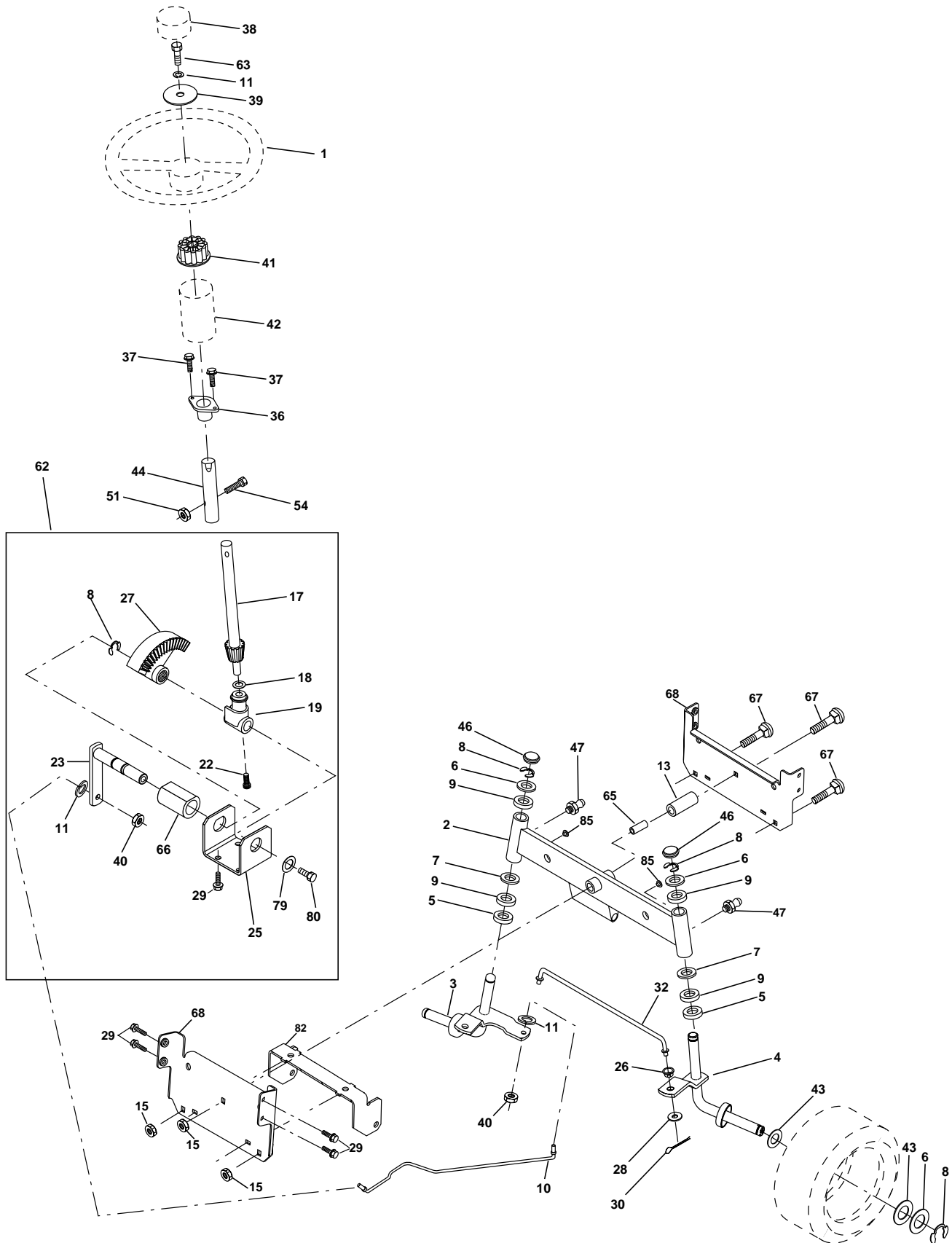
| KEY NO. | PART NO. | DESCRIPTION  | KEY NO. | PART NO.   | DESCRIPTION                      |
|---------|----------|--|---------|------------|----------------------------------|
| 1       | -----    | Transaxle, Peerless 206-545C<br>Order Parts From Transaxle<br>Manufacturer | 61      | 17060612   | Screw Thdrol 3/8-16x3/4          |
| 2       | 146682   | Spring Return Brake T/a Zinc   | 62      | 8883R      | Cover Pedal Blk Round            |
| 3       | 123666X  | Pulley Transaxle 18" tires   | 63      | 140186     | Engine Pulley LT/YT              |
| 4       | 12000028 | Ring Retainer #5100-62   | 64      | 71170764   | Bolt Hex                         |
| 5       | 121520X  | Strap Torque 30 Degrees  | 65      | 10040700   | Washer Lock Hvy Hlcl Spr 7/16    |
| 6       | 17060512 | Screw Thdrol 5/16-18 X 3/4 TYT   | 66      | 154778     | Keeper Belt Engine               |
| 8       | 165619   | Rod Shifter  | 70      | 134683     | Guide Belt Mower Drive RH        |
| 10      | 76020416 | Pin Cotter 1/8 X 1 Cad   | 72      | 19132012   | Washer 13/32 X 1-1/4 X 12 Ga     |
| 11      | 105701X  | Washer Plate Shf 388 Sq Hole   | 74      | 137057     | Spacer Axle                      |
| 13      | 74550412 | Bolt 1/4-28 Unf Gr 8 W/Patch   | 75      | 121749X    | Washer 25/32 X 1 1/4 X 16 Ga     |
| 14      | 10040400 | Washer Lock Hvy Helical 1/4  | 76      | 12000001   | E-ring                           |
| 16      | 73800500 | Nut, Lock  | 77      | 123583X    | Key Square 2 0 X 1845/ 1865      |
| 18      | 74780616 | Bolt, Fin Hex 3/8-16 x 1 Gr. 5   | 78      | 121748X    | Washer 25/32 X 1-5/8 X 16 Ga     |
| 19      | 73800600 | Nut Lock 3/8-16 Unc  | 79      | 2228M      | Key Woodruff #9 3/16 x 3/4       |
| 21      | 106933X  | Knob   | 80      | 131846     | Arm Shift                        |
| 22      | 130804   | Rod Brake Blk Zinc 26 840  | 81      | 165594     | Shaft                            |
| 24      | 73350600 | Nut Hex Jam 3/8-16 Unc   | 82      | 123782X    | Spring Torsion T/a               |
| 25      | 106888X  | Spring Rod Brake 2 00 Zinc   | 83      | 19171216   | Washer 17/32 X 3/4 X 16 Ga       |
| 26      | 19131316 | Washer 13/32 X 13/16 X 16 Ga   | 84      | 166228     | Link, Transaxle                  |
| 27      | 76020412 | Pin Cotter 1/8 X 3/4 Cad   | 85      | 150360     | Nut Lock Center 1/4 - 28 FNTHD   |
| 28      | 145204   | Rod Brake Parking LT/YT  | 89      | 169372X428 | Console Shift                    |
| 29      | 71673    | Cap Brake Parking Black  | 90      | 124346X    | Nut Self-thd Wsh-hd 1/4 Zinc     |
| 30      | 174973   | Bracket Mtg Transaxle  | 96      | 4497H      | Retainer Spring                  |
| 31      | 127275X  | Keeper, Belt, LH   | 112     | 19091210   | Washer 9/32 x 3/4 x 10 Ga.       |
| 32      | 74760512 | Bolt Hex Hd 5/16-18unc X 3/4   | 113     | 127285X    | Strap Torque LT                  |
| 34      | 155071   | Shaft Asm Pedal Foot   | 116     | 72110610   | Bolt Rdhd Sq Neck 3/8-16 x 1.25  |
| 35      | 120183X  | Bearing Nylon Blk 629 Id   | 120     | 73900600   | Nut Lock Flg. 3/8-16             |
| 36      | 19211616 | Washer 21/32 X 1 X 16 Ga   | 145     | 74490540   | Bolt Hex Flghd 5/16-18           |
| 37      | 1572H    | Pin Roll 3/16 X 1"   | 150     | 165850     | Bushing Bellcrank Gd Drive       |
| 38      | 131494   | Pulley Idler Flat  | 151     | 19133210   | Washer 13/32 x 2 x 10 Ga.        |
| 39      | 74760644 | Bolt Fin Hex 3/8-16 x 2-3/4  | 156     | 166002     | Washer Srrted 5/16ID x 1 x .125  |
| 40      | 4470J    | Spacer Split 395 X 59 Bzp  | 158     | 165589     | Bracket Shift Mount              |
| 41      | 165838   | Keeper Belt  | 159     | 165494     | Hub Tapered Flange Shift Lt      |
| 42      | 19131312 | Washer 13/32 X 13/16 X 12 Ga   | 161     | 72140406   | Bolt Rdhd Sqnk 1/4-20 x 3/4 Gr 5 |
| 47      | 127783   | Pulley Idler V Groove Plastic  | 162     | 73680400   | Nut Crownlock 1/4-20 Unc         |
| 48      | 154407   | Bellcrank Clutch Grnd Drv Stl  | 163     | 74780416   | Bolt Hex Fin 1/4-20 Unc x 1 Gr 5 |
| 49      | 123205X  | Retainer Belt Style Spring   | 164     | 19091010   | Washer 5/8 x .281 x 10 Ga        |
| 50      | 74760624 | Bolt Hex Hd 3/8-16unc X 1-1/2  | 165     | 165623     | Bracket Pivot Lever              |
| 51      | 73680600 | Nut Crownlock 3/8-16 Unc   | 166     | 166880     | Screw 5/16-18 x 5/8              |
| 52      | 73680500 | Nut Crownlock 5/16-18 Unc  | 168     | 165492     | Bolt Shoulder 5/16-18 x .561     |
| 53      | 105710X  | Link Clutch  | 169     | 165581     | Plate Fastening Lt               |
| 55      | 105709X  | Spring Return Clutch 6 75  | 171     | 17490608   | Screw Thdrol 3/8-16 x 1/2 Ty-Tt  |
| 56      | 74760620 | Bolt Fin Hex 3/8-16 X 1/4  | 197     | 169613     | Nyliner, Snap-In                 |
| 57      | 130801   | V-Belt Ground Drive 95 25  | 198     | 169593     | Washer, Nylon                    |
| 58      | 127274X  | Keeper, Belt, RH   | 202     | 72110612   | Bolt, Carriage                   |
| 59      | 169691   | Keeper Belt Span Ctr   |         |            |                                  |

**NOTE:** All component dimensions give in U.S. inches.  
1 inch = 25.4 mm.

# REPAIR PARTS

TRACTOR - - MODEL NUMBER 16.5 HP-107CM (CM165T42A)

## STEERING ASSEMBLY



# REPAIR PARTS

## TRACTOR - - MODEL NUMBER 16.5 HP-107CM (CM165T42A)

### STEERING ASSEMBLY

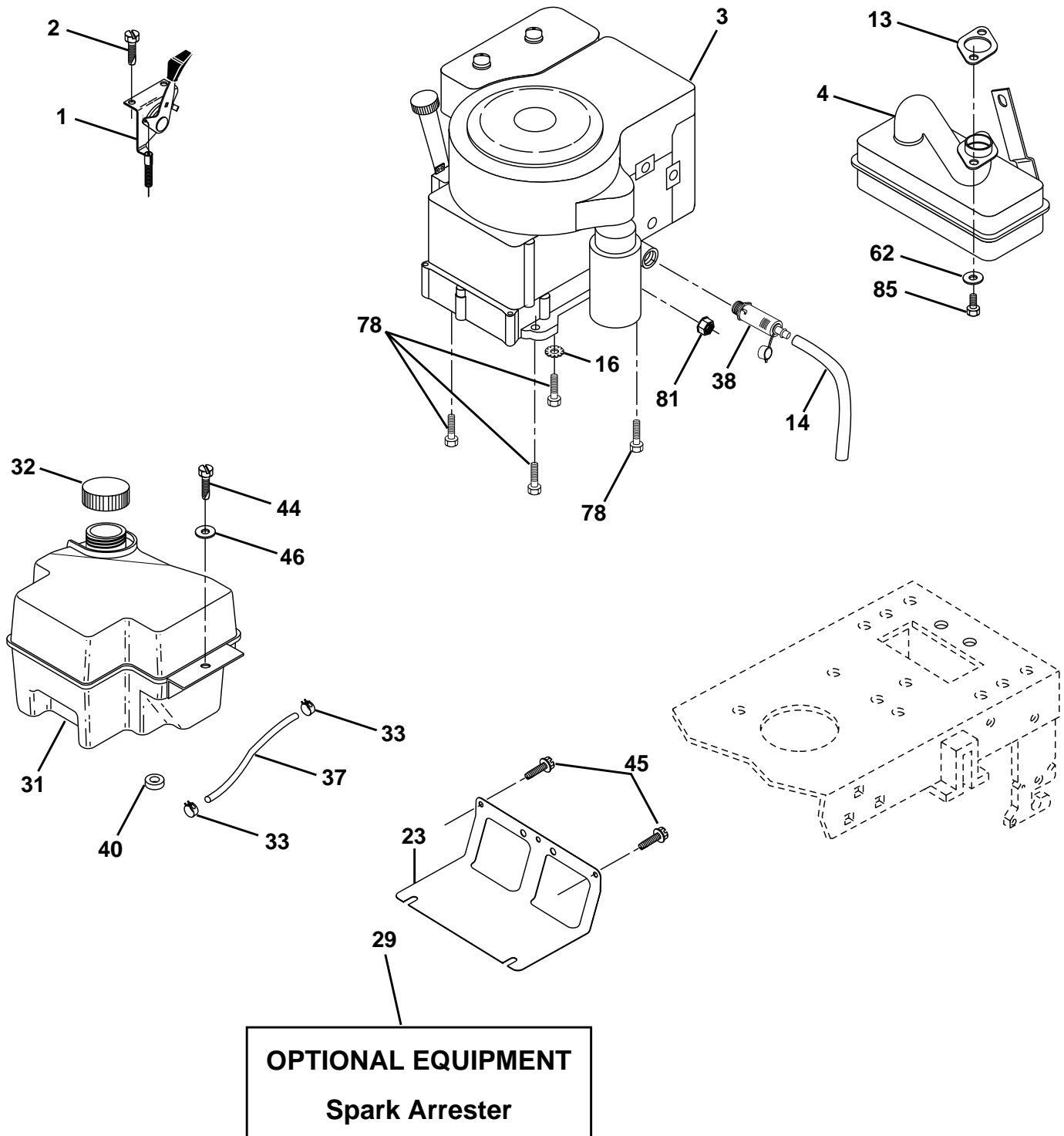
| KEY NO. | PART NO.   | DESCRIPTION                      |
|---------|------------|----------------------------------|
| 1       | 140044X428 | Wheel Steering Blk               |
| 2       | 154427     | Axle Asm Fr LT W/gzks 38/42      |
| 3       | 169840     | Spindle Asm LH                   |
| 4       | 169839     | Spindle Asm RH                   |
| 5       | 6266H      | Bearing Race Thrust Harden       |
| 6       | 121748X    | Washer 25/32 X 1-5/8 X 16 Ga     |
| 7       | 19272016   | Washer 27/32 X 1-1/4 X 16 Ga     |
| 8       | 12000029   | Ring Klip #t5304-75              |
| 9       | 3366R      | Bearing Col Strg Blk             |
| 10      | 169832     | Link Drag                        |
| 11      | 10040600   | Washer Lock Hvy Hlcl Spr 3/8     |
| 13      | 136518     | Bearing Axle                     |
| 15      | 145212     | Nut Lock Flange                  |
| 17      | 156546     | Shaft Asm Strg Private Label     |
| 18      | 57079      | Washer Thrust 515x 750x 033      |
| 19      | 160395     | Support Shaft                    |
| 22      | 165857     | Screw Hex Wsh Hd Torx            |
| 23      | 165851     | Shaft Asm Pittman                |
| 25      | 154406     | Bracket Steering                 |
| 26      | 126847X    | Bushing Link Drag Blk LR         |
| 27      | 136874     | Gear Sector                      |
| 28      | 19131416   | Washer 13/32 X 7/8 X 16 Ga       |
| 29      | 17060612   | Screw 3/8-16x3/4                 |
| 30      | 76020412   | Pin Cotter 1/8 X 3/4 Cad         |
| 32      | 130465     | Rod Tie Wire Form 19 75 Mech     |
| 36      | 155099     | Bushing Strg                     |
| 37      | 152927     | Screw TT #10-32 X 5 X 3/8 Flange |
| 38      | 140045X428 | Cap Strg Wh AYP P/L              |
| 39      | 19133812   | Washer 13/32 X 2-3/8 X 12 Ga     |
| 40      | 7810H      | Nut Lock Center 3/8-24unf        |
| 41      | 100711L    | Adaptor Wheel Strg 758/753 ID    |
| 42      | 145054X428 | Boot Steering                    |
| 43      | 121749X    | Washer 25/32 X 1 1/4 X 16 Ga     |
| 44      | 153720     | Shaft Extention Steering         |
| 46      | 121232X    | Cap Spindle Fr Top Blk           |
| 47      | 6855M      | Fitting Grease                   |
| 51      | 73800500   | Nut Lock Hex w/Ins 5/16-18       |
| 54      | 74780520   | Bolt Fin Hex 5/16-18 Unc x 1-1/4 |
| 62      | 167902     | Kit, Steering Assembly, Service  |
| 63      | 74780616   | Bolt Fin Hex 3/8-16 x 1 Gr. 5    |
| 65      | 160367     | Spacer Axle                      |
| 66      | 154404     | Bearing Arm Pittman              |
| 67      | 72140618   | Bolt Rdhd 3/8-16 x 2-1/4         |
| 68      | 169827     | Brace Axle                       |
| 79      | 19132012   | Washer 13/32 x 1-1/4 x 12        |
| 80      | 74950612   | Bolt Hex Nylon 3/8-16 x 3/4      |
| 82      | 169835     | Bracket, Susp. Chassis, Front    |
| 85      | 133835     | Fastener, Christmas Tree         |

**NOTE:** All component dimensions given in U.S. inches.  
1 inch = 25.4 mm.

# REPAIR PARTS

TRACTOR - - MODEL NUMBER 16.5 HP-107CM (CM165T42A)

## ENGINE



# REPAIR PARTS

## TRACTOR - - MODEL NUMBER 16.5 HP-107CM (CM165T42A)

### ENGINE

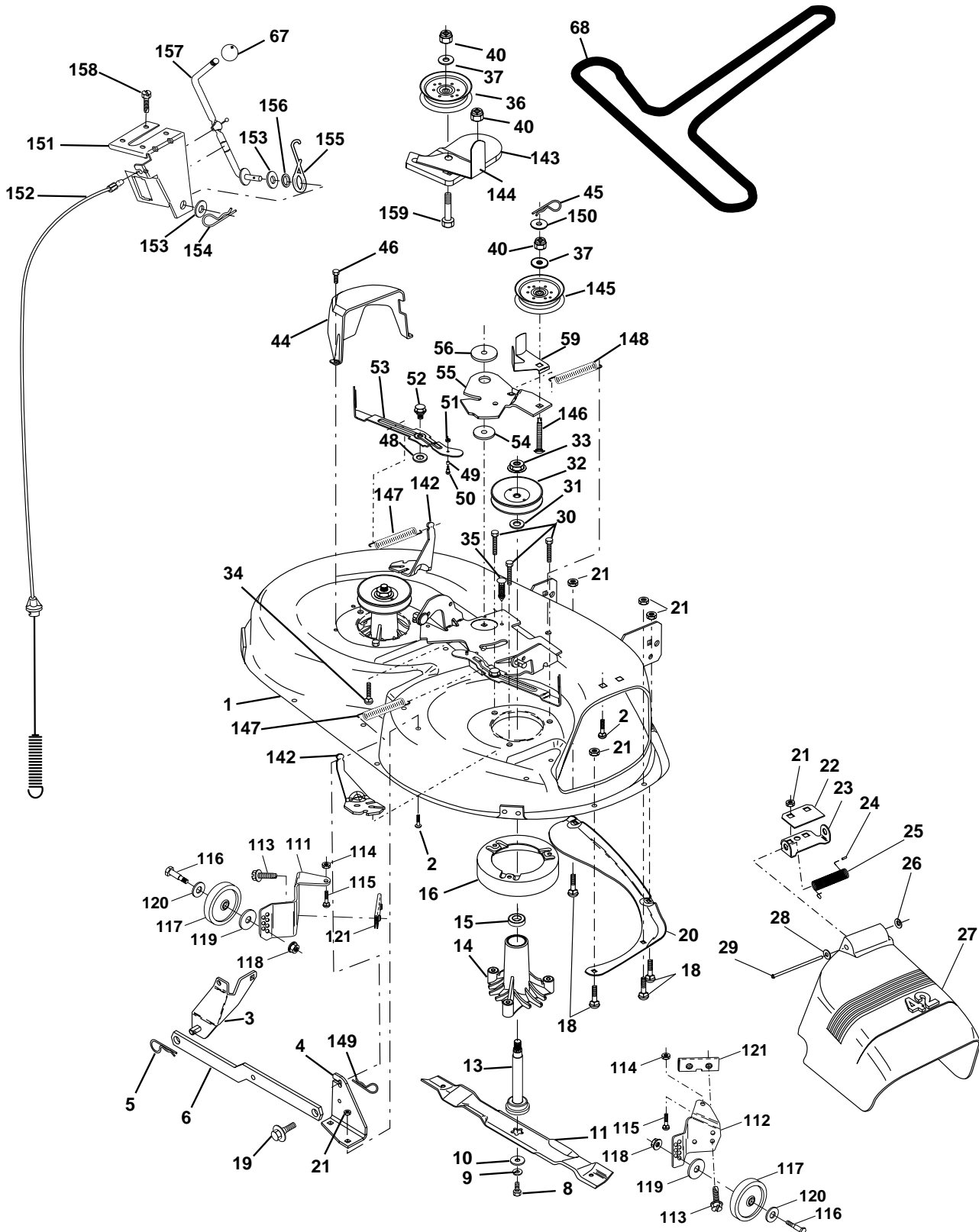
| KEY NO. | PART NO. | DESCRIPTION   |
|---------|----------|---|
| 1       | 170865   | Control Th/ch Flag  |
| 2       | 17720410 | Screw Hex Thd Cut 1/4-20x5/8 T                                    |
| 3       | -----    | Engine, Tec. Model OHV165<br>Order Parts From Engine Manufacturer |
| 4       | 137351   | Muffler   |
| 13      | 149272   | Gasket Eng  |
| 14      | 148456   | Tube Drain Oil Easy   |
| 16      | 11050600 | Washer Lock Ext Tooth 3/8   |
| 23      | 169837   | Shield Brn/Dbr Guard  |
| 29      | 137180   | Kit Spark Arrestor (Flat Scrn)                                    |
| 31      | 174642   | Tank Fuel Front 2.00  |
| 32      | 140527   | Cap Asm Fuel W/sym Vented   |
| 33      | 123487X  | Clamp Hose Black  |
| 37      | 137040   | Line Fuel 20"   |
| 38      | 148315   | Plug Drain Oil Easy   |
| 40      | 124028X  | Bushing Snap Nyl Blk Fuel Line                                    |
| 44      | 17670412 | Screw Hexwsh Thdrol 1/4-20x3/4                                    |
| 45      | 17000612 | Screw Hxwsh 3/8-16 x 3/4 BD                                       |
| 46      | 19091416 | Washer 9/32 X 7/8 X 16 Ga   |
| 62      | 10040500 | Washer Lock Hvy Hlcl Spr 5/16                                     |
| 78      | 17060620 | Screw Thdrol 3/8-16x1-1/4   |
| 81      | 73510400 | Nut Flange 1/4-20 Starter Nut                                     |
| 85      | 123528X  | Bolt Hex Hd Phillip   |

**NOTE:** All component dimensions given in U.S. inches.  
1 inch = 25.4 mm.

# REPAIR PARTS

TRACTOR - - MODEL NUMBER 16.5 HP-107CM (CM165T42A)

## MOWER DECK



# REPAIR PARTS

## TRACTOR - - MODEL NUMBER 16.5 HP-107CM (CM165T42A)

### MOWER DECK

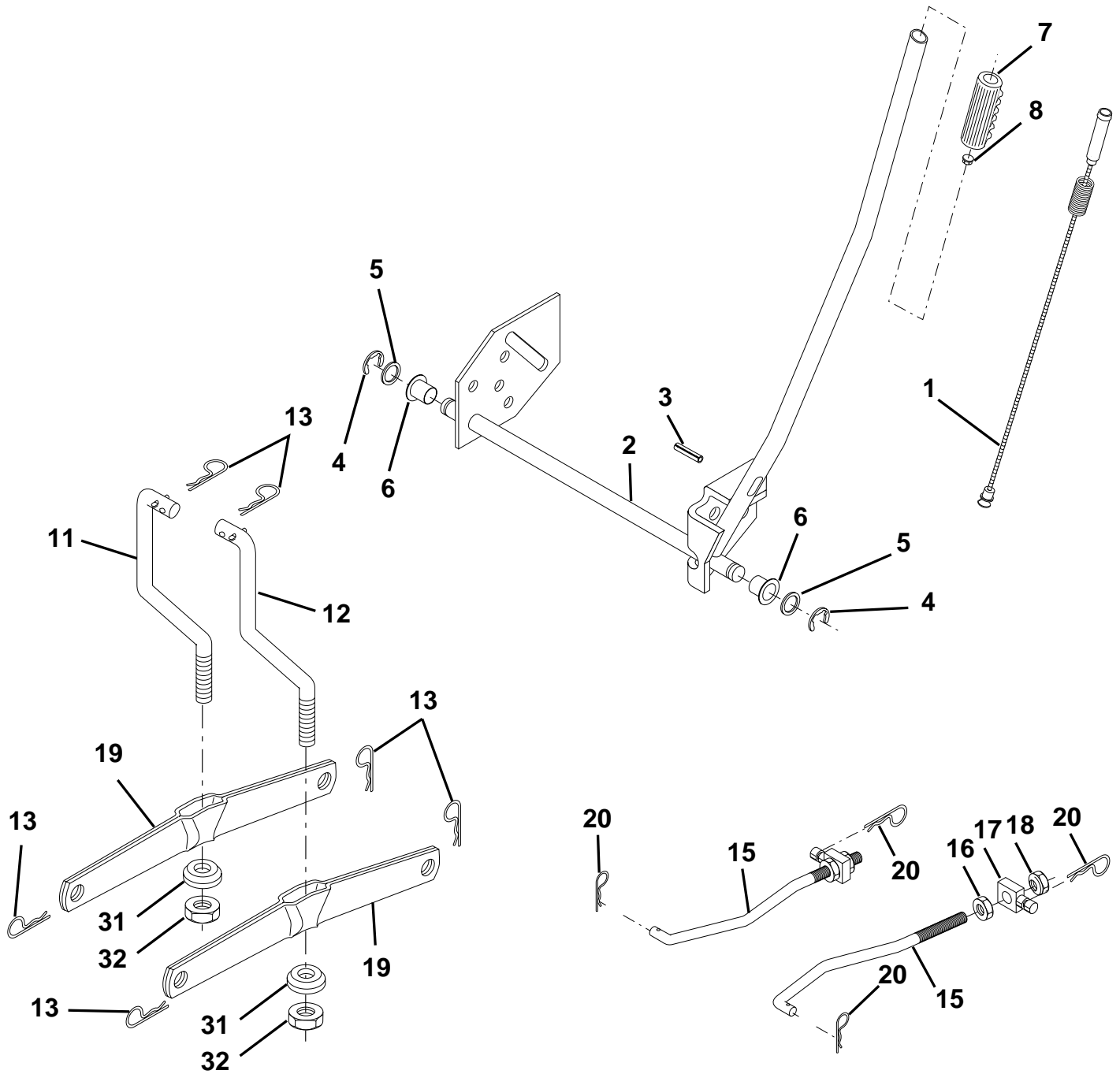
| KEY NO. | PART NO.   | DESCRIPTION                       | KEY NO. | PART NO. | DESCRIPTION   |
|---------|------------|-----------------------------------|---------|----------|---|
| 1       | 165892     | Mower Deck Assembly, 42"          | 54      | 133943   | Washer, Hardened  |
| 2       | 72140506   | Bolt                              | 55      | 155046   | Arm, Idler  |
| 3       | 138017     | Bracket Assembly, Sway Bar, Front | 56      | 165723   | Spacer, Retainer  |
| 4       | 165460     | Bracket Sway Bar 38/42" Deck      | 59      | 141043   | Guard, TUV Idler  |
| 5       | 4939M      | Retainer Spring                   | 67      | 106932X  | Knob Round  |
| 6       | 130832     | Arm, Suspension, Rear             | 68      | 144959   | V-Belt  |
| 8       | 850857     | Bolt, Hex 3/8-24 x 1.25 Gr. 8     | 111     | 155197   | Bracket, Gauge, Wheel L.H.  |
| 9       | 10030600   | Washer, Lock                      | 112     | 155198   | Bracket, Gauge, Wheel R.H.  |
| 10      | 140296     | Washer, Hardened                  | 113     | 17060514 | Screw 5/16-18   |
| 11      | 138498     | Blade, High Perf.                 | 114     | 73510500 | Nut, Hex, Keps 5/16-18 UNC  |
| 13      | 137645     | Shaft Assembly, Mandrel, Vented   | 115     | 72110504 | Bolt, Carriage 5/16 UNC x 1/2   |
| 14      | 128774     | Housing, Mandrel, Vented          | 116     | 4898H    | Bolt, Shoulder  |
| 15      | 110485X    | Bearing, Ball, Mandrel            | 117     | 105455X  | Wheel, Gauge  |
| 16      | 140329     | Stripper, Vented Mower Deck       | 118     | 73930600 | Nut, Centerlock 3/8-16  |
| 18      | 72140505   | Bolt, Carriage 5/16-18 x 5/8      | 119     | 19121414 | Washer 3/8 x 7/8 x 14 Gauge   |
| 19      | 132827     | Bolt, Shoulder                    | 120     | 19171512 | Washer 17/32 x 15/16 x 12 Ga.   |
| 20      | 159770     | Baffle, Vortex                    | 121     | 143723   | Bracket   |
| 21      | 73680500   | Nut Crownlock 5/16-18 UNC         | 142     | 165890   | Arm Spring Brake Mower  |
| 22      | 134753     | Stiffener Bracket                 | 143     | 157109   | Bracket Arm Idler 42"   |
| 23      | 131267     | Bracket, Deflector                | 144     | 158634   | Keeper Belt 42" Clutch Cable  |
| 24      | 105304X    | Cap, Sleeve                       | 145     | 165888   | Pulley Idler Flat   |
| 25      | 123713X    | Spring, Torsion, Deflector        | 146     | 171977   | Bolt Carriage Idler   |
| 26      | 110452X    | Nut, Push                         | 147     | 131335   | Spring Extension  |
| 27      | 130968X428 | Shield, Deflector                 | 148     | 169022   | Spring Return Idler   |
| 28      | 19111016   | Washer 11/32 x 5/8 x 16 Ga.       | 149     | 165898   | Retainer Spring Yellow Zinc   |
| 29      | 131491     | Rod, Hinge                        | 150     | 19091216 | Washer 9/32 x 3/4 x 16 Ga.  |
| 30      | 157722     | Screw Thdrol Washer Head          | 151     | 169670   | Bracket Clutch  |
| 31      | 129963     | Washer, Spacer                    | 152     | 169676   | Cable Clutch 42 In  |
| 32      | 153535     | Pulley, Mandrel                   | 153     | 169674   | Washer Flat 3/8" Type B   |
| 33      | 137266     | Nut, Toplock, Flanged             | 154     | 169675   | Spring Retainer   |
| 34      | 72110614   | Bolt                              | 155     | 169671   | Spring Retention Lever  |
| 35      | 133835     | Fastner, Christmas Tree           | 156     | 169672   | Spacer  |
| 36      | 131494     | Pulley, Idler, Flat               | 157     | 169669   | Rod Clutch  |
| 37      | 19131316   | Washer 13/32 x 13/16 x 16 Gauge   | 158     | 17720410 | Screw Hex Thd Cut 1/4-20 x 5/8  |
| 40      | 73680600   | Nut Crownlock 3/8-16 UNC          | 159     | 72140614 | Bolt 3/8-16 x 1-3/4   |
| 44      | 140088     | Guard, Mandrel, L.H.              | --      | 130794   | Mandrel Assembly (Includes Key Numbers 8-10, 12-15, 31 and 32)  |
| 45      | 4497H      | Retainer                          | --      | 171491   | Mower Deck, Complete (Standard Deck, Order Separately Mulcher Plate and Gauge Wheel Components, Key Nos. 101-106 and 111-121) |
| 46      | 137729     | Screw, Thd. Roll 1/4-20 x 5/8     |         |          |   |
| 48      | 133944     | Washer, Hardened                  |         |          |   |
| 49      | 174284     | Roller Assembly, Cam Follower     |         |          |   |
| 50      | 131340     | Bolt, Shoulder #10-24 Grade 5     |         |          |   |
| 51      | 69180      | Locknut                           |         |          |   |
| 52      | 139888     | Bolt, Shoulder 5/16-18 UNC        |         |          |   |
| 53      | 131845     | Arm Assembly, Pad, Brake          |         |          |   |

**NOTE:** All component dimensions given in U.S. inches  
1 inch = 25.4 mm

# REPAIR PARTS

TRACTOR - - MODEL NUMBER 16.5 HP-107CM (CM165T42A)

LIFT





# REPAIR PARTS

## TRACTOR - - MODEL NUMBER 16.5 HP-107CM (CM165T42A)

### LIFT

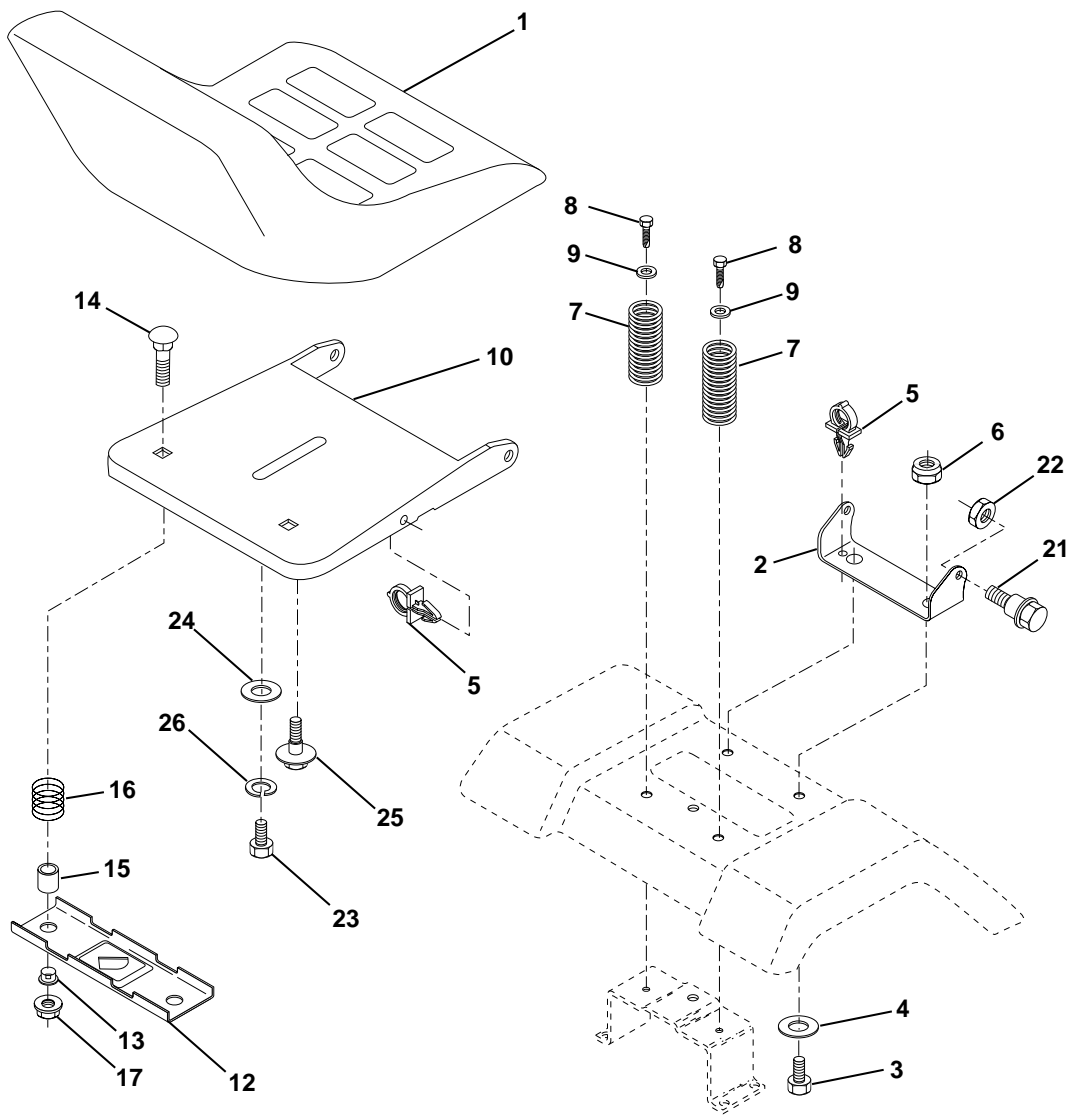
| KEY NO. | PART NO. | DESCRIPTION                   |
|---------|----------|-------------------------------|
| 1       | 159460   | Wire Asm Inner/Sprg w/plunger |
| 2       | 159471   | Shaft Asm Lift                |
| 3       | 105767X  | Pin Groove                    |
| 4       | 12000002 | E Ring #5133-62               |
| 5       | 19211621 | Washer 21/32 X 1 x 21 Ga      |
| 6       | 120183X  | Bearing Nylon                 |
| 7       | 109413X  | Grip Handle Bicycle Matte Blk |
| 8       | 124526X  | Button Plunger                |
| 11      | 139865   | Link Lift LH                  |
| 12      | 139866   | Link Lift RH                  |
| 13      | 4939M    | Retainer Spring               |
| 15      | 173288   | Link Front                    |
| 16      | 73350800 | Nut Jam Hex 1/2-13 Unc        |
| 17      | 130171   | Trunnion Blk Zinc             |
| 18      | 73800800 | Nut Lock W/wsh 1/2-13 Unc     |
| 19      | 139868   | Arm Suspension Rear           |
| 20      | 163552   | Retainer Spring               |
| 31      | 169865   | Bearing Pvt. Lift             |
| 32      | 73540600 | Nut Crownlock 3/8-24          |

**NOTE:** All component dimensions given in U.S. inches  
1 inch = 25.4 mm

# REPAIR PARTS

## TRACTOR - - MODEL NUMBER 16.5 HP-107CM (CM165T42A)

### SEAT ASSEMBLY



| KEY NO. | PART NO. | DESCRIPTION                     |
|---------|----------|---------------------------------|
| 1       | 127427   | Seat                            |
| 2       | 140551   | Bracket Pivot Seat              |
| 3       | 71110616 | Bolt Hex 3/8 - 16 X 1 Blk       |
| 4       | 19131610 | Washer 13/32 X 1"               |
| 5       | 145006   | Clip Push-In                    |
| 6       | 73800600 | Locknut, Hex W/Ins 3/8 - 16 Unc |
| 7       | 124181X  | Spring Seat Cprsn 2 250 Blk Zi  |
| 8       | 17000616 | Screw Thdrol 3/8-16 X 1         |
| 9       | 19131614 | Washer 13/32 X 1 X 14 Ga        |
| 10      | 174894   | Pan Seat                        |
| 12      | 121246X  | Bracket Mounting Switch         |
| 13      | 121248X  | Bushing Snap Blk Nyl 50 Id      |

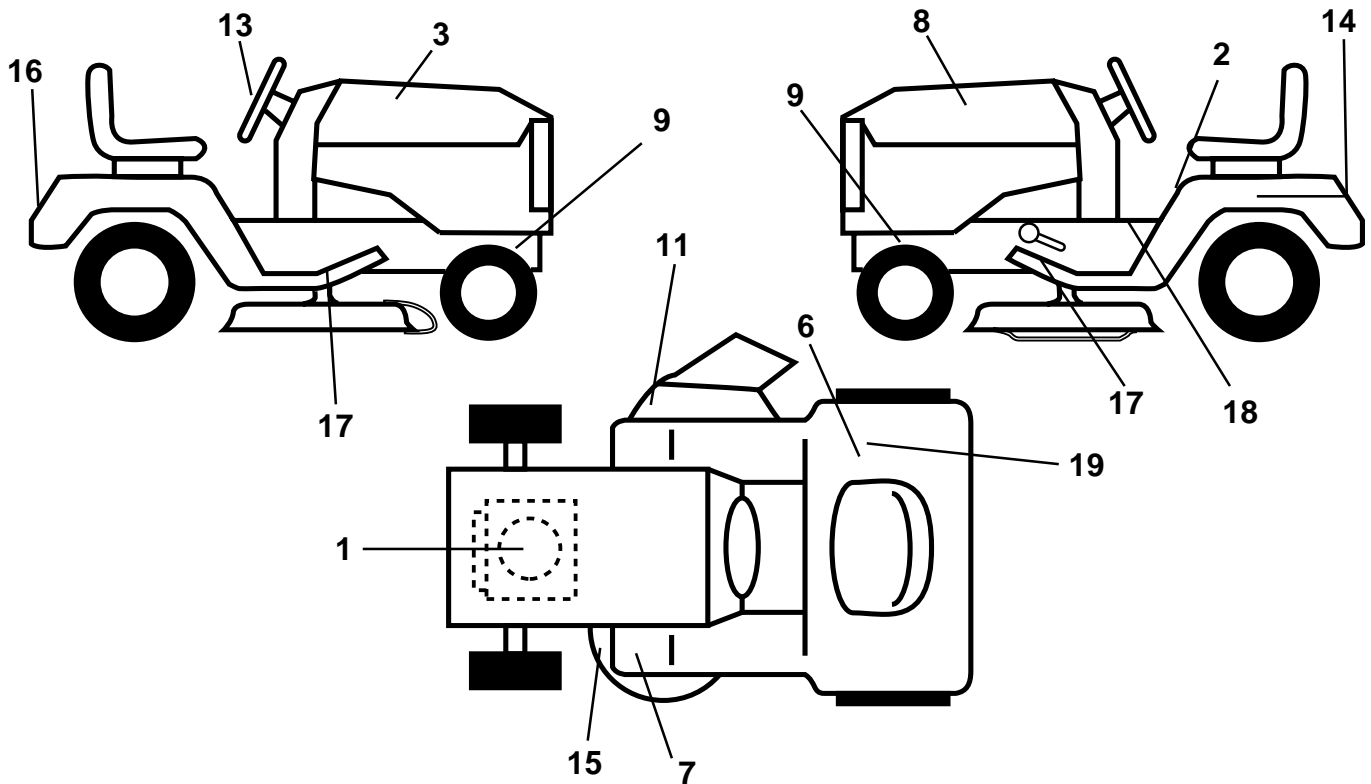
| KEY NO. | PART NO. | DESCRIPTION                     |
|---------|----------|---------------------------------|
| 14      | 72050412 | Bolt Rdhd Sht Nk 1/4-20x1-1/2   |
| 15      | 134300   | Spacer Split                    |
| 16      | 121250X  | Spring Cprsn                    |
| 17      | 123976X  | Nut Lock 1/4 Lge Flg Gr 5 Zinc  |
| 21      | 171852   | Bolt Shoulder 5/16-18 UNC-2A BD |
| 22      | 73800500 | Locknut, Crown 5/16-18 UNC      |
| 23      | 71110814 | Bolt Hex                        |
| 24      | 19171912 | Washer 17/32 X 1-3/16 X 12 Ga   |
| 25      | 127018X  | Bolt Shoulder 5/16-18 X 62      |
| 26      | 10040800 | Washer Lock Hvy Hlcl Spr 1/2    |

**NOTE:** All component dimensions given in U.S. inches  
1 inch = 25.4 mm

# REPAIR PARTS

## TRACTOR - - MODEL NUMBER 16.5 HP-107CM (CM165T42A)

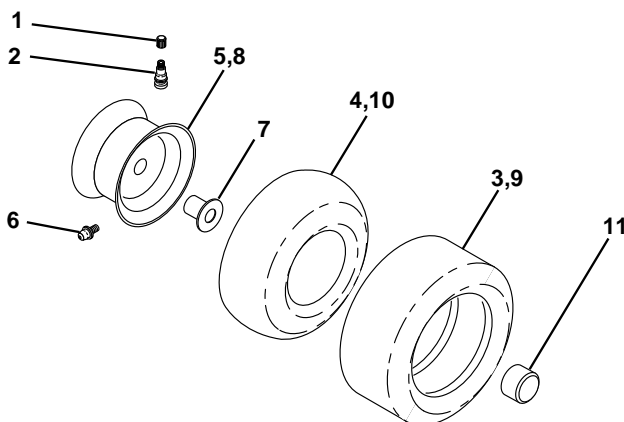
### DECALS



| KEY NO. | PART NO.   | DESCRIPTION                       |
|---------|------------|-----------------------------------|
| 1       | 64-1733-29 | Decal Engine                      |
| 2       | 145498     | Decal Read Owners Manual Syms     |
| 3       | 175878     | Decal Hood RH                     |
| 6       | 145437     | Decal Europe Stand CE             |
| 7       | 159737     | Decal Brake/Clutch Symbol LT      |
| 8       | 175879     | Decal Hood LH                     |
| 9       | 159736     | Decal Chassis Hot Muffler         |
| 11      | 145494     | Decal Mower Cutfinger Symbol      |
| 13      | 175881     | Decal Wheel Steering              |
| 14      | 145005     | Decal Battery Dan/Poi/P/L Symbols |

| KEY NO. | PART NO. | DESCRIPTION                  |
|---------|----------|------------------------------|
| 15      | 160396   | Decal V-Belt Sch             |
| 16      | 175880   | Decal Fender                 |
| 17      | 131864   | Pad Footrest                 |
| 18      | 140837   | Decal Saddle Brake Parking   |
| 19      | 126187X  | Decal 100 DBA                |
| --      | 138311   | Decal Handle LFT Height Adj  |
| --      | 162598   | Decal Drawbar Load Limit     |
| --      | 175986   | Manual Operator's (European) |
| --      | 175987   | Manual Parts                 |

### WHEELS & TIRES



| KEY NO. | PART NO.   | DESCRIPTION                       |
|---------|------------|-----------------------------------|
| 1       | 59192      | Cap Valve Tire                    |
| 2       | 65139      | Stem Valve                        |
| 3       | 106222X    | Tire F Ts 15 X 6 0 - 6 Service    |
| 4       | 59904      | Tube Front (Service Item Only)    |
| 5       | 106732X421 | Rim Asm 6" (front White Service)  |
| 6       | 278H       | Fitting Grease (Front Wheel Only) |
| 7       | 9040H      | Bearing Flange (Front Wheel Only) |
| 8       | 106108X421 | Rim Asm 8" (rear White Service)   |
| 9       | 106268X    | Tire R Ts 18 x 9.5-8 C Service    |
| 10      | 7152J      | Tube Rear (Service Item Only)     |
| 11      | 104757X428 | Cap Axle Blk 1 50 X 1 00          |
| --      | 144334     | Sealant, Tire (10 oz. Tube)       |

**NOTE:** All component dimensions given in U.S. inches  
1 inch = 25.4 mm.