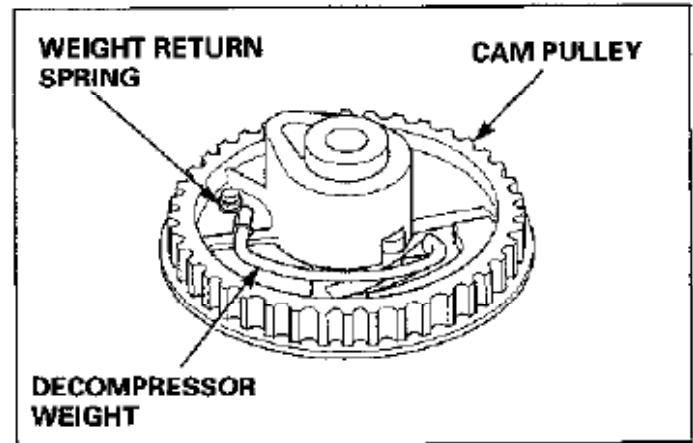


● CAM PULLEY

DECOMPRESSOR WEIGHT INSPECTION:

Before installing, inspect for worn and weakened springs, and check that the decompressor weight moves smoothly.

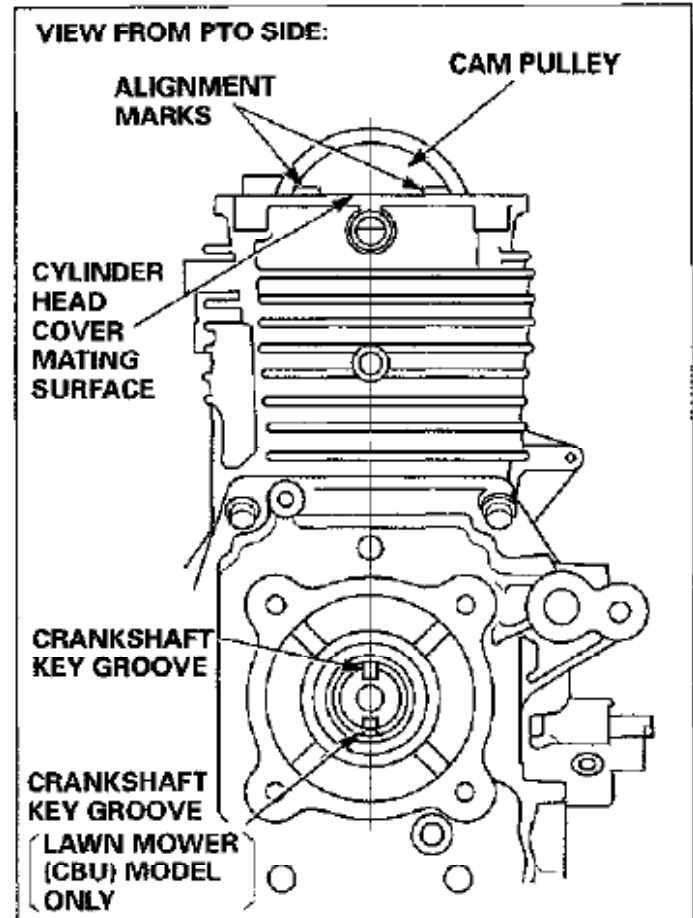


INSTALLATION:

- 1) Turn the crankshaft so that the crankshaft key groove (PTO side) faces up as shown.
- 2) Install the cam pulley on the timing belt so that the cam pulley alignment marks are in line with the cylinder head cover mating surface.

NOTE:

Install the cam pulley on the timing belt with care not to turn the crankshaft.



- 3) Apply oil to the 6.8 x 1.9 mm O-ring and install it on the cam pulley shaft.
- 4) Install the cam pulley shaft in the cylinder barrel.
- 5) Holding the cam pulley alignment marks in line with the cylinder head cover mating surface, check again whether the crankshaft key groove is facing up.
- 6) If the key groove is not facing up, repeat the procedure from the step 1.

