



Illustrated Parts List

Model Series

285H00

TYPE NUMBERS
0026 through 0566.

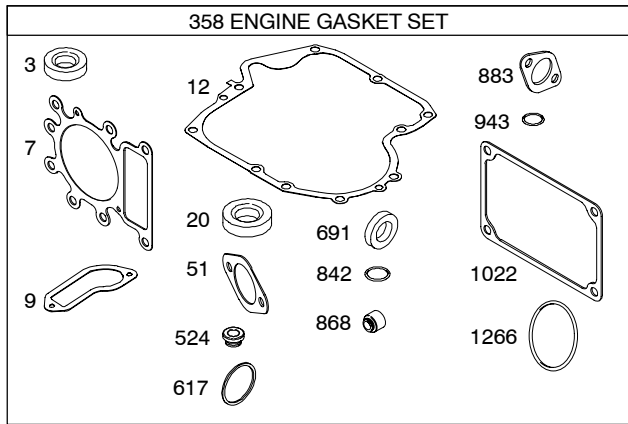
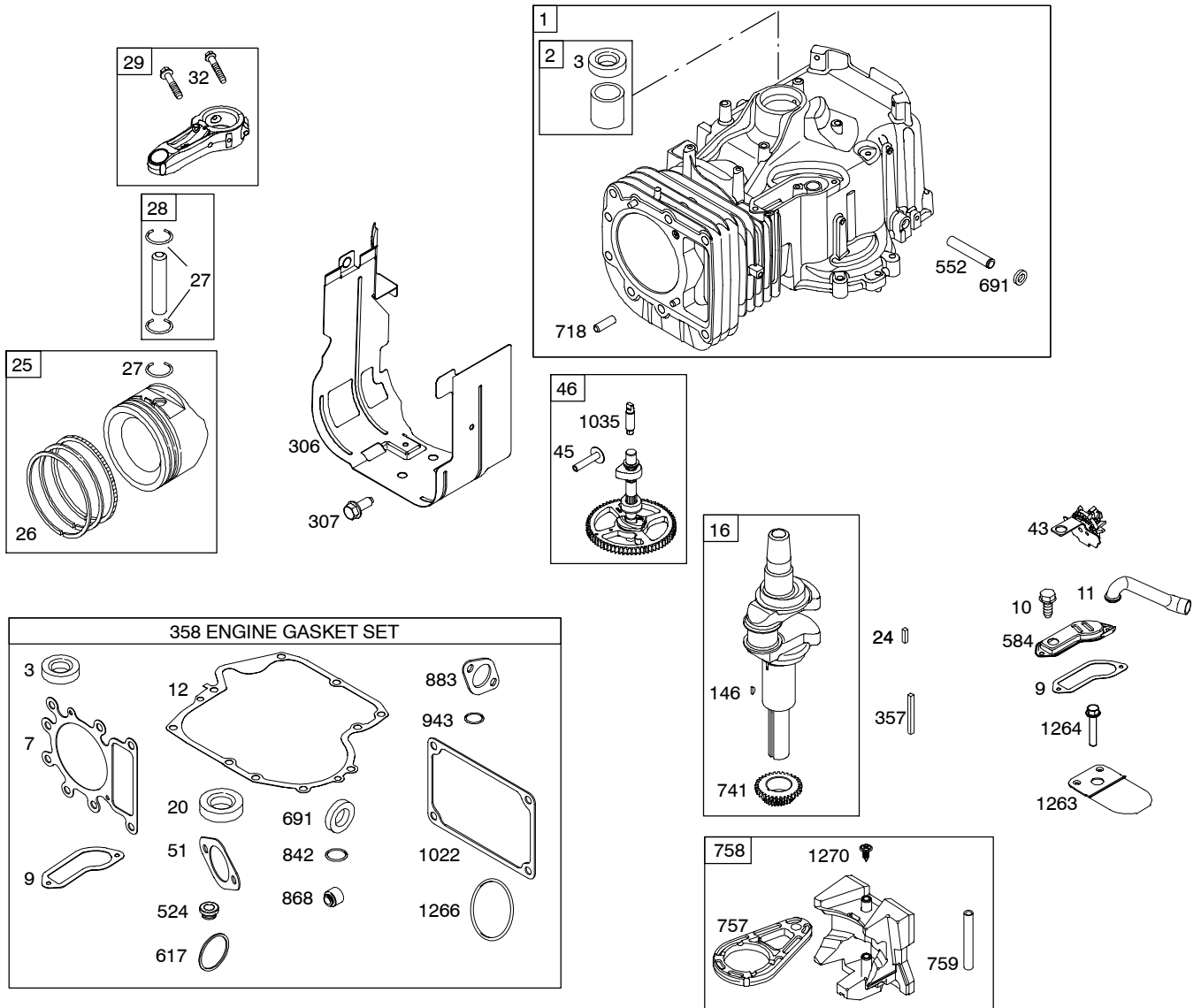
TABLE OF CONTENTS

| | |
|-------------------------------------|---|
| Air Cleaner | 5 |
| Alternator | 7 |
| Blower Housing | 5 |
| Camshaft | 2 |
| Carburetor | 4 |
| Controls | 7 |
| Crankshaft | 2 |
| Cylinder | 2 |
| Cylinder Head | 3 |
| Electric Starter | 7 |
| Engine Sump | 2 |
| Exhaust System | 5 |
| Flywheel | 6 |
| Fuel Supply | 4 |
| Gasket Set - Engine | 2 |
| Gasket Set - Valve | 3 |
| Governor Spring | 7 |
| Ignition | 7 |
| Kit - Carburetor Overhaul | 4 |
| Lubrication | 3 |
| Piston, Rings, Connecting Rod | 2 |
| Valves | 3 |

PRINTED IN U.S.A.

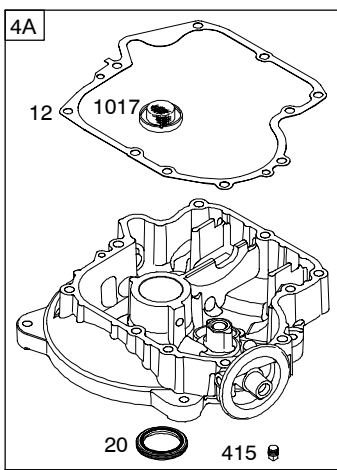
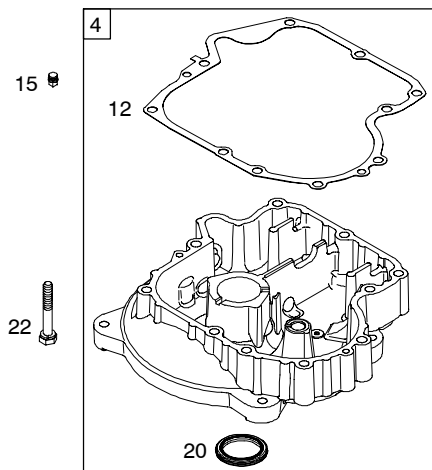


COPYRIGHT by BRIGGS & STRATTON CORPORATION
All rights reserved. No part of this material may be reproduced or transmitted,
in any form or by any means, electronic or mechanical, including photocopying,
recording or by any information storage and retrieval system, without permission
in writing from Briggs & Stratton Corporation.

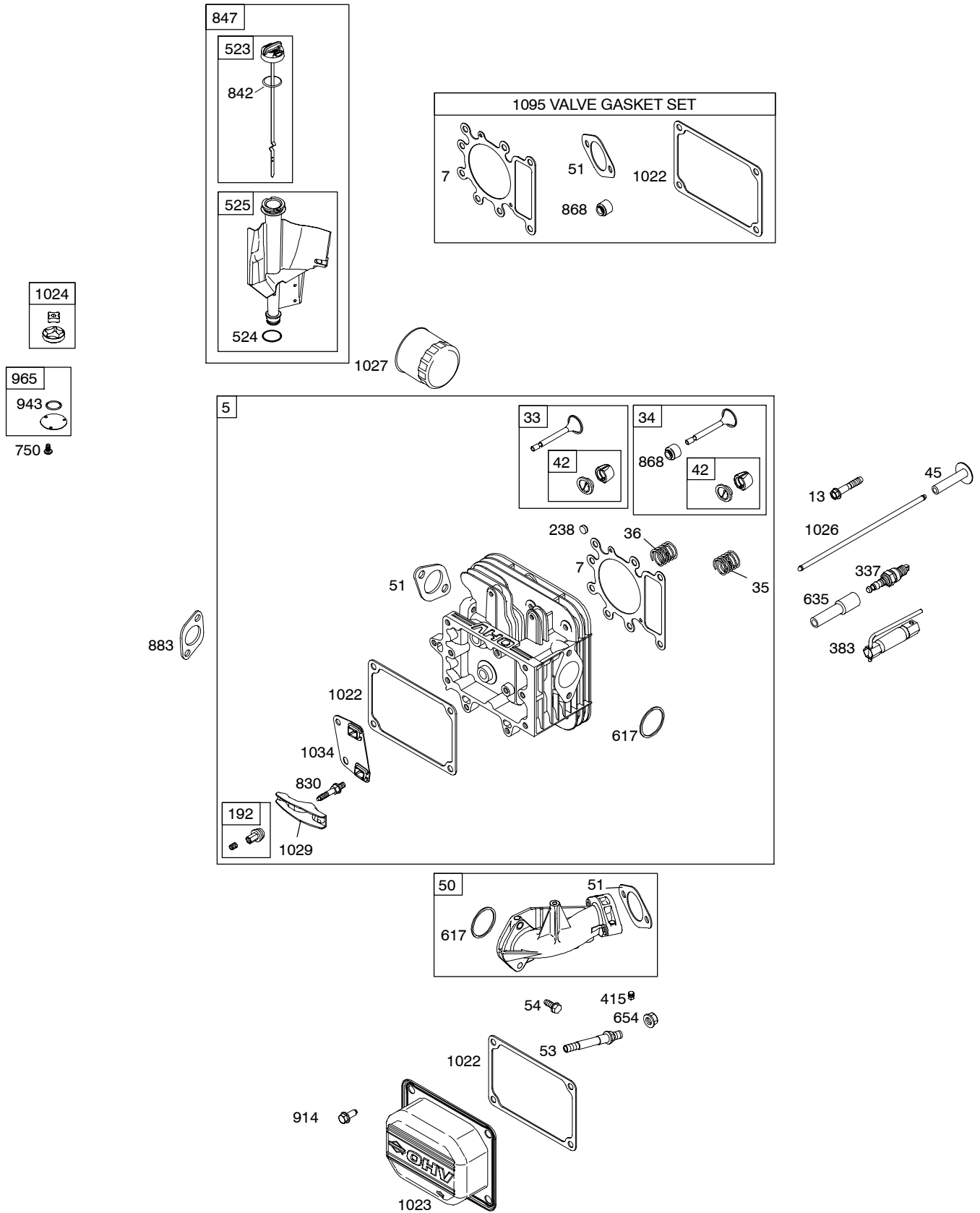


1058 OPERATOR'S MANUAL

1330 REPAIR MANUAL

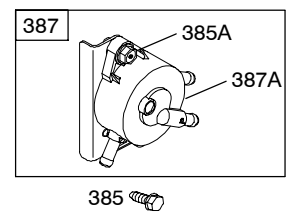
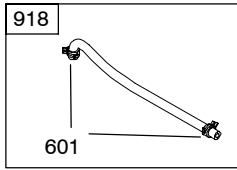
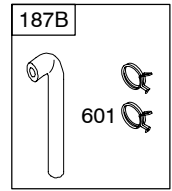
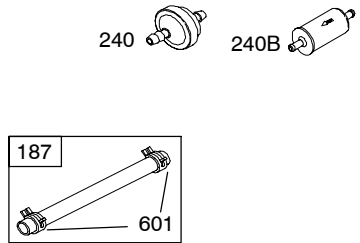
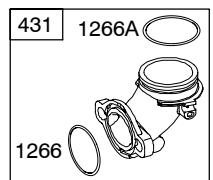
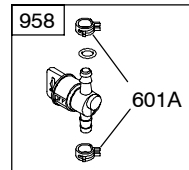
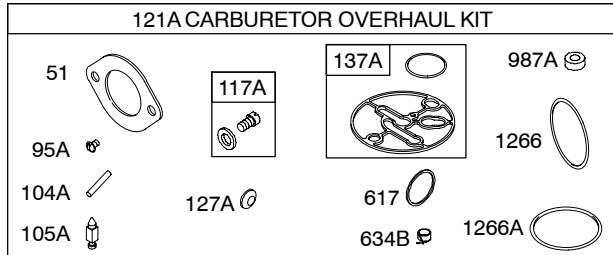
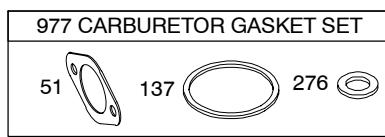
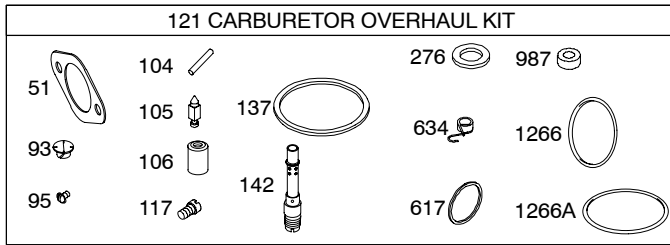
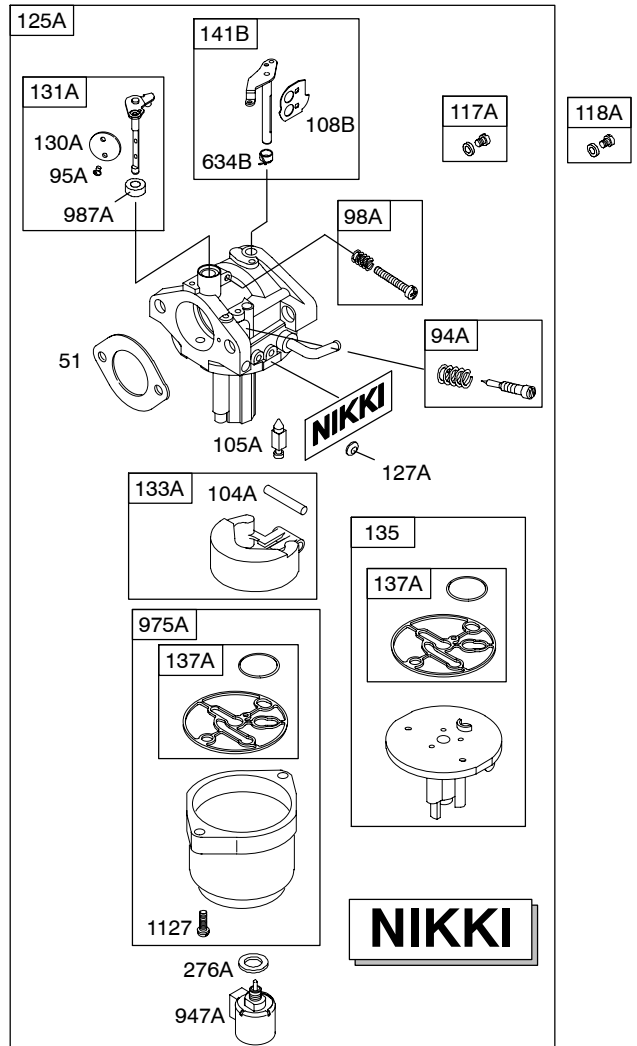
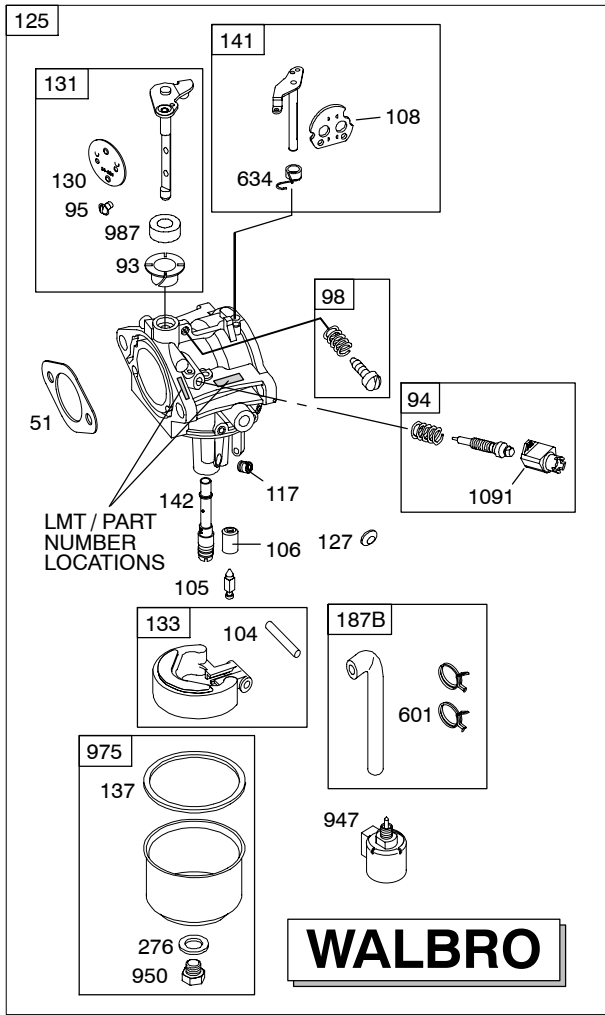


Illustrations cover a range of engines. Parts shown without corresponding text may not be used on your specific engine.

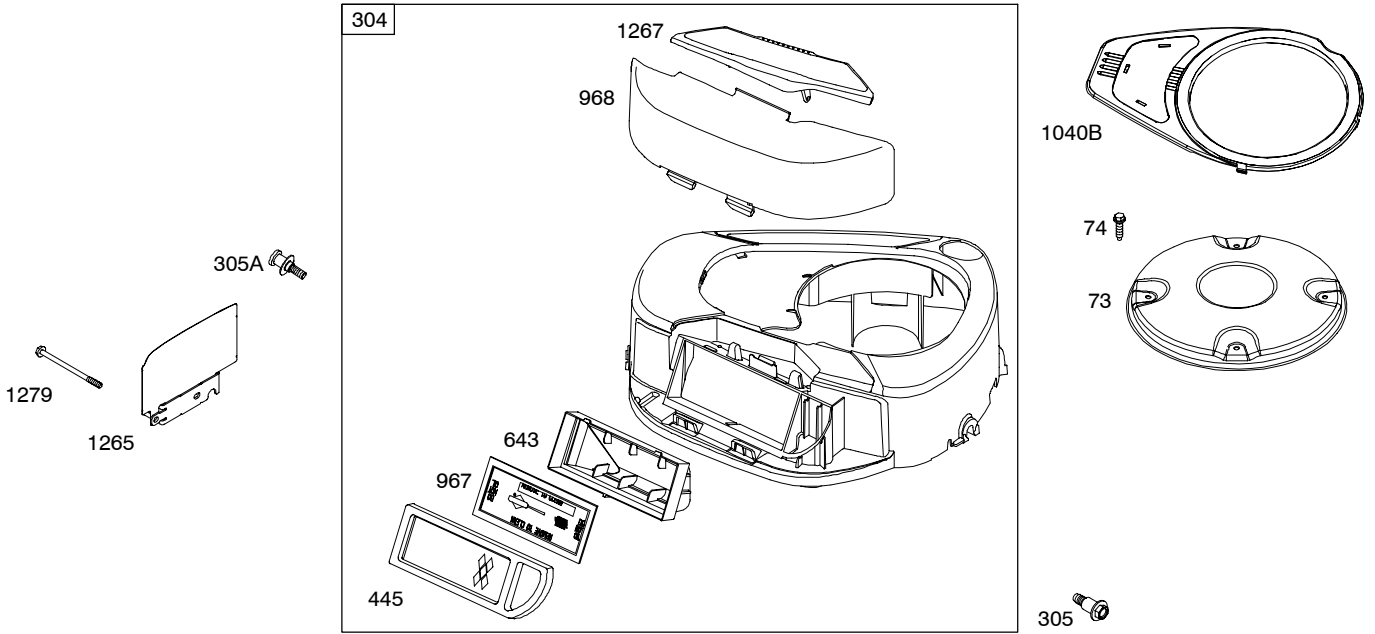


Illustrations cover a range of engines. Parts shown without corresponding text may not be used on your specific engine.

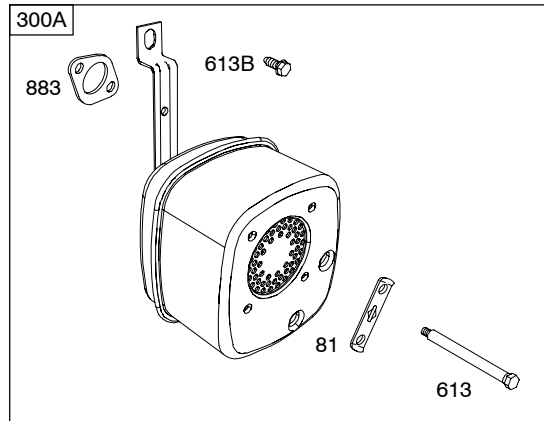
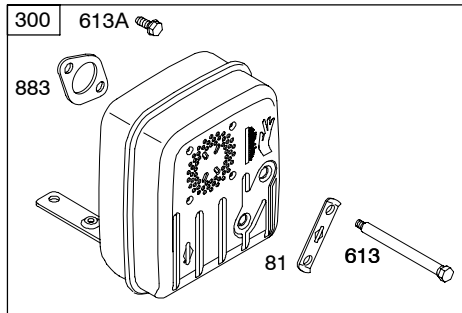
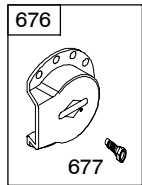
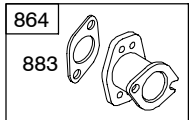
285H00



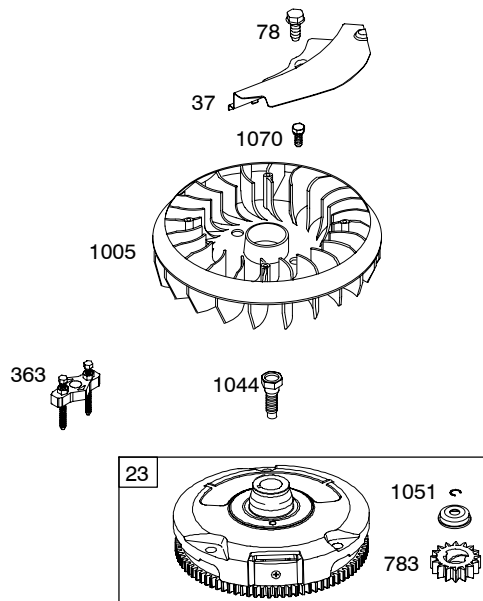
Illustrations cover a range of engines. Parts shown without corresponding text may not be used on your specific engine.







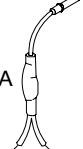
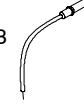
1036 EMISSIONS LABEL




Illustrations cover a range of engines. Parts shown without corresponding text may not be used on your specific engine.



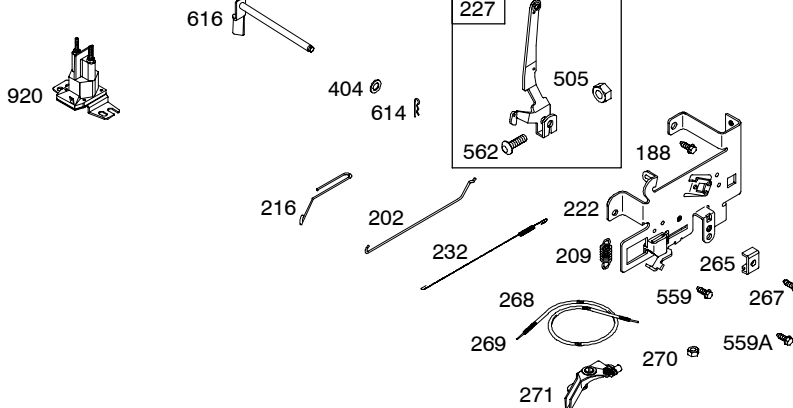
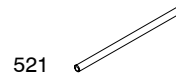
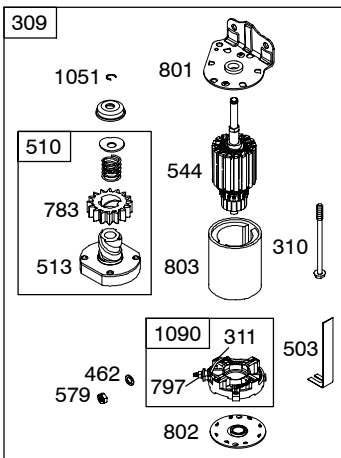
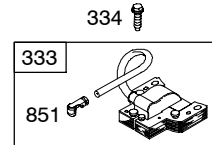
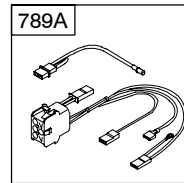
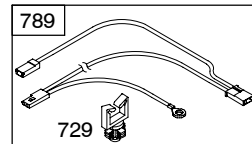
Illustrations cover a range of engines. Parts shown without corresponding text may not be used on your specific engine.

| DUAL CIRCUIT | | TRI CIRCUIT | | 10 AMP | |
|---|------|---|------|---|------|
| 474A | 1059 | 474B | 1059 | 474C | 1059 |
|  | |  | |  | |
|  | |  | |  | |



NOTE: All stators use a No. 1119 mounting screw. 

NOTE: The proper flywheel part number and/or the alternator magnet size will determine the alternator type or output. See repair instruction manual for additional information.



Illustrations cover a range of engines. Parts shown without corresponding text may not be used on your specific engine.

285H00

| REF. NO. | PART NO. | DESCRIPTION | REF. NO. | PART NO. | DESCRIPTION | REF. NO. | PART NO. | DESCRIPTION | |
|------------|----------|--|-------------|---------------|--|----------|----------|--|--------------------|
| 1 | 697132 | Cylinder Assembly | 25 | 792307 | Piston Assembly (Standard) | 73 | 697133 | Screen-Rotating | |
| 2 | 399265 | Kit-Bushing/Seal (Magneto Side) | | | ----- Note ----- | 74 | 697897 | Screw (Rotating Screen) | |
| 3 | ★391086s | Seal-Oil (Magneto Side) | | | 792728 Piston Assembly (.020" Oversize) | 78 | 691003 | Screw (Flywheel Guard) | |
| 4 | 697106 | Sump-Engine Used on Type No(s). 0026, 0028. | 26 | 792306 | Ring Set (Standard) | 81 | 691178 | Lock-Muffler Screw | |
| 4A | 697188 | Sump-Engine | | | ----- Note ----- | 93 | ●690602 | Bushing-Throttle Shaft | |
| 5 | 792360 | Head-Cylinder (Used After Code Date 06021200). | | | 792643 Ring Set (.020" Oversize) | 94 | 498030 | Kit-Idle Mixture | |
| | | ----- Note ----- | 27 | 698469 | Lock-Piston Pin | 94A | 695425 | Kit-Idle Mixture | |
| | | 698148 Head-Cylinder (Used Before Code Date 06021300). | 28 | 697099 | Pin-Piston (Standard) | 95 | ●691636 | Screw (Throttle Valve) | |
| | | | 29 | 791631 | Rod-Connecting (Standard) | 95A | ●690718 | Screw (Throttle Valve) | |
| 7★△273280s | | Gasket-Cylinder Head | | | ----- Note ----- | 98 | 495800 | Kit-Idle Speed | |
| 9 | ★697109 | Gasket-Breather | | | 697263 Rod-Connecting (.020" Undersize) (Used Before Code Date 05040400). | 98A | 695408 | Kit-Idle Speed | |
| 10 | 697157 | Screw (Breather Assembly) | 32 | 791118 | Screw (Connecting Rod) | 104 | ●690525 | Pin-Float Hinge | |
| 11 | 697113 | Tube-Breather | 33 | 791934 | Valve-Exhaust (Used After Code Date 06021200). | 104A | ●694918 | Pin-Float Hinge | |
| 12 | ★697110 | Gasket-Crankcase (.015" Thick) (Standard) | | | ----- Note ----- | 105 | ●231855s | Valve-Float Needle | |
| 13 | 690360 | Screw (Cylinder Head) | | | 695760 Valve-Exhaust (Used Before Code Date 06021300). | 105A | ●696136 | Valve-Float Needle | |
| 15 | 690946 | Plug-Oil Drain (Square Head) | 34 | 791935 | Valve-Intake (Used After Code Date 06021200). | 106 | ●690577 | Seat-Inlet (Gravity Feed) | |
| | | ----- Note ----- | | | ----- Note ----- | | | ----- Note ----- | |
| | | 691680 Plug-Oil Drain (Square Socket) | | | 695761 Valve-Exhaust (Used Before Code Date 06021300). | | | ●691780 Seat-Inlet (Pump Feed) | |
| 16 | 697127 | Crankshaft | | | | 108 | 692344 | Valve-Choke | |
| 20 | ★690947 | Seal-Oil (PTO Side) | | | | 108B | 695419 | Valve-Choke | |
| 22 | 692125 | Screw (Crankcase Cover/Sump) | | | | 117 | ●694352 | Jet-Main (Standard) | |
| 23 | 693556 | Flywheel Used on Type No(s). 0026, 0028, 0036, 0116, 0122, 0125, 0178, 0395, 0566. | 35 | 691279 | Spring-Valve (Intake) | 117A | ●699457 | Jet-Main (Standard)(Standard) | |
| | | ----- Note ----- | 36 | 691279 | Spring-Valve (Exhaust) | 118 | 697228 | Jet-Main (High Altitude) | |
| | | 693557 Flywheel Used on Type No(s). 0173, 0180, 0252, 0397, 0436. | 37 | 697352 | Guard-Flywheel | 118A | 699458 | Jet-Main (High Altitude) | |
| | | 790835 Flywheel Used on Type No(s). 0110, 0120, 0121. | 42 | 499586 | Keeper-Valve | 121 | 697241 | Kit-Carburetor Overhaul | |
| | | 790894 Flywheel Used on Type No(s). 0117, 0124. | 43 | 691968 | Slinger-Governor/Oil | 121A | 699521 | Kit-Carburetor Overhaul (Nikki Carburetor) | |
| 24 | 222698s | Key-Flywheel | 45 | 690564 | Tappet-Valve | 125 | 698445 | Carburetor (Carburetor Replaces All Styles of Both Nikki and Walbro Carburetors) | |
| | | | 46 | 790400 | Camshaft | 125A | 791858 | Carburetor (Nikki)(Gravity Feed) Used on Type No(s). 0374, 0397. | |
| | | | 50 | 690193 | Manifold-Intake (Not Serviced for Type 0173) | 127 | 695005 | Plug-Welch (5/16" Diameter) | |
| | | | 51★△◆692137 | Gasket-Intake | | | | 127A | ●690727 Plug-Welch |
| | | | 53 | 690227 | Stud (Carburetor) | 130 | 691750 | Valve-Throttle | |
| | | | 54 | 691148 | Screw (Intake Manifold) | 130A | 699500 | Valve-Throttle | |
| | | | | | | 131 | 790901 | Kit-Throttle Shaft | |

★ Included in Engine Gasket Set-Ref. No.358.

● Included in Carburetor Overhaul Kit-Ref. No. 121 or 121A.

◆ Included in Carburetor Gasket Set-Ref. No. 977.

△ Included in Valve Gasket Set-Ref. No 1095.

Illustrations cover a range of engines. Parts shown without corresponding text may not be used on your specific engine.

285H00

| REF. NO. | PART NO. | DESCRIPTION | REF. NO. | PART NO. | DESCRIPTION | REF. NO. | PART NO. | DESCRIPTION |
|----------|----------|---|----------|----------|---|----------|----------|--|
| 131A | 699501 | Kit-Throttle Shaft | 216 | 691840 | Link-Choke | 304 | 790929 | Housing-Blower (Red) |
| 133 | 494381 | Float-Carburetor | 222 | 694042 | Bracket-Control | | | Used on Type No(s). 0026, 0028, 0036, 0117, 0121, 0173, 0178, 0180, 0252, 0395, 0397. |
| 133A | 694914 | Float-Carburetor | 227 | 691374 | Lever-Governor Control (Standard) | | | ----- Note ----- |
| 135 | 698780 | Tube-Fuel Transfer (Nikki)(Gravity Feed) | 232 | 691842 | Spring-Governor Link | | | 698599 Housing-Blower (Black) |
| | | ----- Note ----- | 238 | 691843 | Cap-Valve | | | Used on Type No(s). 0110, 0116, 0120, 0122, 0124, 0125, 0436, 0566. |
| | | 792022 Tube-Fuel Transfer (Nikki)(Pump Feed) | 240 | 394358s | Filter-Fuel (White, 75 Microns) Used on Type No(s). 0028, 0110, 0117, 0121, 0124, 0173, 0178, 0180, 0252, 0397, 0436, 0566. | | | ----- Note ----- |
| 137 | 281165s | Gasket-Float Bowl | | | | 305 | 697102 | Screw (Blower Housing) |
| 137A | 698781 | Gasket-Float Bowl | | | | 305A | 697103 | Screw (Blower Housing) |
| 141 | 790902 | Kit-Choke Shaft | | | | 306 | 697107 | Shield-Cylinder |
| 141B | 695420 | Kit-Choke Shaft | | | | 307 | 691003 | Screw (Cylinder Shield) |
| 142 | 697140 | Nozzle-Carburetor (Standard) | 240B | 691035 | Filter-Fuel (Includes Paper Element With A 40 Micron Rating) Used on Type No(s). 0026, 0036, 0116, 0120, 0122, 0125, 0395. | 309 | 693551 | Motor-Starter |
| 146 | 691639 | Key-Timing | | | | 310 | 690323 | Screw (Starter Motor) |
| 187 | 791766 | Line-Fuel (Cut To Required Length) | | | | 311 | 497608 | Brush Set |
| 187B | 791805 | Line-Fuel (Formed)(10-1/4 Inches Long)(Cut to Required Length) | | | | 333 | 492341 | Armature-Magneto |
| 188 | 691693 | Screw (Control Bracket) | 265 | 691024 | Clamp-Casing | 334 | 691061 | Screw (Magneto Armature) |
| 192 | 691986 | Adjuster-Rocker Arm | 267 | 690804 | Screw (Casing Clamp) | | | ----- Note ----- |
| 202 | 691841 | Link-Mechanical Governor | | | | 337 | 491055s | Plug-Spark Used on Type No(s). 0026, 0028, 0036, 0116, 0122, 0173, 0180. |
| 209 | 691795 | Spring-Governor Used on Type No(s). 0110, 0120, 0121, 0125, 0178. | | | | | | ----- Note ----- |
| | | ----- Note ----- | | | | | | 691043 Plug-Spark Used on Type No(s). 0110, 0117, 0120, 0121, 0124, 0125, 0178, 0252, 0395, 0397, 0566. |
| | | 260902 Spring-Governor Used on Type No(s). 0252. | 268 | 691025 | Casing-Control Wire (Cut To Required Length) | | | 792015 Plug-Spark Used on Type No(s). 0436. |
| | | 792602 Spring-Governor Used on Type No(s). 0117, 0124. | 269 | 691026 | Wire-Control (Cut To Required Length) | | | |
| | | 692208 Spring-Governor Used on Type No(s). 0026, 0028, 0036, 0116, 0122, 0126, 0173, 0180, 0374, 0395, 0397, 0566. | 270 | 691027 | Nut (Control Wire Casing) | | | |
| | | 690576 Spring-Governor Used on Type No(s). 0436. | 271 | 691028 | Lever-Control | 356 | 697089 | Wire-Stop |
| | | | 276 | 692255 | Washer-Sealing | 357 | 691483 | Key-Drive Pulley Used on Type No(s). 0125. |
| | | | 276A | 695410 | Washer-Sealing | | | 358 697151 Gasket Set-Engine |
| | | | 300 | 697349 | Muffler Used on Type No(s). 0026, 0028, 0036, 0120, 0122. | | | 363 19203 Puller-Flywheel |
| | | | 300A | 698356 | Muffler Used on Type No(s). 0116, 0117, 0124. | | | 383 89838s Wrench-Spark Plug |
| | | | | | | | | 385 694476 Screw (Fuel Pump) |
| | | | | | | | | 385A 690297 Screw (Fuel Pump) |

★ Included in Engine Gasket Set-Ref. No.358.

● Included in Carburetor Overhaul Kit-Ref. No. 121 or 121A.

◆ Included in Carburetor Gasket Set-Ref. No. 977.

△ Included in Valve Gasket Set-Ref. No 1095.

Illustrations cover a range of engines. Parts shown without corresponding text may not be used on your specific engine.

285H00

| REF. NO. | PART NO. | DESCRIPTION | REF. NO. | PART NO. | DESCRIPTION | REF. NO. | PART NO. | DESCRIPTION |
|----------|----------|---|----------|----------|--|----------|----------|--|
| 387 | 697090 | Pump-Fuel (Includes Mounting Bracket) | 525 | 697184 | Tube-Dipstick Used on Type No(s). 0028, 0110, 0121, 0124, 0173, 0178, 0180, 0252, 0397, 0436, 0566. | 614 | 691620 | Pin-Cotter |
| 387A | 808656 | Pump-Fuel | | | | 616 | 692012 | Crank-Governor |
| 404 | 691691 | Washer (Governor Crank) | | | | 617 | ★692138 | Seal-O Ring (Intake Manifold) |
| 415 | 690283 | Plug Used on Type No(s). 0173. | | | | 634 | ●690802 | Spring/Seal Assembly |
| 431 | 697122 | Elbow-Intake | | | | 634B | ●698779 | Spring/Seal Assembly |
| 445 | 698083 | Filter-Air Cleaner Cartridge (Non Washable) | | | | 635 | 691909 | Boot-Spark Plug |
| 462 | 691261 | Washer (Starter Cable) | 526 | 697088 | Screw (Regulator) | 643 | 698401 | Retainer-Air Filter |
| 474A | 696459 | Alternator (Dual Circuit) Used on Type No(s). 0117, 0124, 0173, 0180, 0397, 0436. | | | | 654 | 690958 | Nut (Carburetor) |
| 474B | 696457 | Alternator (Tri Circuit) Used on Type No(s). 0026, 0036, 0110, 0120, 0121, 0125, 0395, 0566. | | | | 676 | 393761 | Deflector-Muffler Used on Type No(s). 0026, 0036, 0113, 0120, 0124. |
| 474C | 696458 | Alternator (10 Amp Circuit) Used on Type No(s). 0028, 0116, 0178. | | | | 676A | 396903 | Deflector-Muffler Used on Type No(s). 0117, 0126. |
| 501 | 691188 | Regulator Used on Type No(s). 0026, 0036, 0110, 0120, 0121, 0395, 0566. ----- Note ----- 691185 Regulator Used on Type No(s). 0028, 0116, 0178. | 544 | 692034 | Armature-Starter | 677 | 690661 | Screw (Muffler Deflector) |
| 503 | 691532 | Strap-Starter | 552 | 697144 | Bushing-Governor Crank | 691 | ★692407 | Seal-Governor Shaft |
| 505 | 691251 | Nut (Governor Control Lever) | 559 | 697561 | Screw (Remote Choke Stop) Used on Type No(s). 0173, 0252, 0395, 0397, 0436, 0566. | 697 | 690372 | Screw (Drive Cap) |
| 510 | 693699 | Drive-Starter | 559A | 693675 | Screw (Remote Choke Stop) Used on Type No(s). 0173, 0252, 0395, 0397, 0436, 0566. | 718 | 690959 | Pin-Locating |
| 513 | 692024 | Clutch-Drive | | | | 729 | 691335 | Clip-Wire (Wire Saddle) |
| 521 | 690581 | Shield-Cable | | | | 729A | 691224 | Clip-Wire (Aluminum Coated Steel) |
| 523 | 699908 | Dipstick | 562 | 691119 | Bolt (Governor Control Lever) | 741 | 697128 | Gear-Timing |
| 524 | ★691032 | Seal-Dipstick Tube | 578 | 692306 | Wire Assembly (Alternator to Regulator) | 750 | 790832 | Screw (Oil Pump Cover) |
| | | | 579 | 691029 | Nut (Starter Cable) | 757 | 697607 | Link-Counterweight |
| | | | 584 | 697112 | Cover-Breather Passage | 758 | 697134 | Counterweight |
| | | | 601 | 791850 | Clamp-Hose | 759 | 697392 | Pin-Counterweight |
| | | | 601A | 691038 | Clamp-Hose Used on Type No(s). 0110. | 783 | 693713 | Gear-Pinion (DC)(10-16 AMP) |
| | | | 613 | 691416 | Screw (Muffler) | 789 | 692037 | Harness-Wiring |
| | | | 613A | 690297 | Screw (Muffler) | 789A | 698329 | Harness-Wiring |
| | | | 613B | 691678 | Screw (Muffler) | 797 | 693167 | Nut (Brush Retainer) |
| | | | | | | 801 | 691283 | Cap-Drive |
| | | | | | | 802 | 691286 | Cap-End |
| | | | | | | 803 | | Housing-Starter (Not Serviced Separately, Order Starter Motor 693551) |
| | | | | | | 823 | 698941 | Screw (Muffler Adapter) |
| | | | | | | 830 | 691095 | Stud-Rocker Arm |
| | | | | | | 842 | ★691031 | Seal-O Ring (Dipstick Tube) |

★ Included in Engine Gasket Set-Ref. No.358.

● Included in Carburetor Overhaul Kit-Ref. No. 121 or 121A.

◆ Included in Carburetor Gasket Set-Ref. No. 977.

△ Included in Valve Gasket Set-Ref. No 1095.

Illustrations cover a range of engines. Parts shown without corresponding text may not be used on your specific engine.

285H00

| REF. NO. | PART NO. | DESCRIPTION | REF. NO. | PART NO. | DESCRIPTION | REF. NO. | PART NO. | DESCRIPTION |
|----------|----------|--|---------------|----------|--|----------|----------|---|
| 847 | 790442 | Dipstick/Tube Assembly Used on Type No(s). 0028, 0110, 0121, 0124, 0173, 0178, 0180, 0252, 0397, 0436, 0566. ----- Note ----- 790443 Dipstick/Tube Assembly Used on Type No(s). 0026, 0036, 0116, 0117, 0120, 0122, 0125, 0395. | 965 | 499613 | Cover-Oil Pump | 1027 | 492932s | Filter-Oil |
| | | | 967 | 697015 | Filter-Pre Cleaner | 1029 | 691751 | Arm-Rocker |
| | | | 968 | 699830 | Cover-Air Cleaner (Used After Code Date 03092800). Used on Type No(s). 0026, 0028, 0036, 0117, 0121, 0173, 0178, 0180, 0252, 0395, 0397. ----- Note ----- 697446 Cover-Air Cleaner (Used Before Code Date 03092900). Used on Type No(s). 0026, 0028, 0036, 0117, 0121, 0173, 0178, 0180, 0252, 0395, 0397. | 1034 | 690822 | Guide-Push Rod |
| | | | | | | 1035 | 693784 | Shaft-Pump |
| | | | | | | 1036 | | Label-Emissions (Available from an Authorized Briggs & Stratton Service Dealer) |
| | | | | | | 1036A | 698979 | Label-Emissions Used on Type No(s). 0117. |
| 851 | 692424 | Terminal-Spark Plug | | | | 1040B | 699852 | Plate-Trim |
| 864 | 697346 | Adapter-Muffler Used on Type No(s). 0026, 0028, 0036, 0116, 0117, 0120, 0122, 0124. | | | | 1044 | 698139 | Screw (Flywheel) |
| 868 | ★△690968 | Seal-Valve | | | | 1051 | 691265 | Ring-Retaining |
| 877 | 393456 | Wire/Connector-Alternator (Dual Circuit) | | | | 1058 | 276344 | Operator's Manual |
| 877B | 393537 | Wire/Connector-Alternator (Tri Circuit) | | | | 1059 | 698516 | Kit-Screw/Washer Screw (Flywheel Fan) |
| 877C | 399916 | Wire/Connector-Alternator (10 Amp Circuit) | | | | 1070 | 690372 | Screw (Flywheel Fan) |
| 878 | 691237 | Harness-Alternator (Alternator to Regulator) | | | | 1090 | 691293 | Retainer-Brush |
| 878A | 691955 | Harness-Alternator (Alternator to Regulator) | | | | 1091 | 691333 | Cap-Limiter |
| | | | | | | 1095 | 691581 | Gasket Set-Valve |
| | | | | | | 1119 | 691183 | Screw (Alternator) |
| | | | | | | 1127 | 695407 | Screw (Float Bowl) |
| | | | 975 | 495933 | Bowl-Float | 1263 | 697124 | Reed-Breather |
| | | | 975A | 699502 | Bowl-Float | 1264 | 697104 | Screw (Breather Reed) |
| | | | 977 | 690192 | Gasket Set-Carburetor | 1265 | 697125 | Support-Blower Housing |
| | | | 987 | ●691326 | Seal-Throttle Shaft | 1266 | ★●691917 | Seal-O Ring (Intake Elbow) |
| | | | 987A | ●698777 | Seal-Throttle Shaft | 1266A | ●697123 | Seal-O Ring (Intake Elbow) |
| | | | 1005 | 699043 | Fan-Flywheel | | | |
| | | | 1017 | 690770 | Screen-Oil Pump (Push In) | | | |
| | | | 1022★△272475s | | Gasket-Rocker Cover | | | |
| | | | 1023 | 791079 | Cover-Rocker | | | |
| | | | 1024 | 499054 | Pump-Oil | | | |
| | | | 1026 | 692003 | Rod-Push (Intake) ----- Note ----- 692011 Rod-Push (Exhaust) | | | |
| 883 | ★692236 | Gasket-Exhaust | | | | | | |
| 914 | 691108 | Screw (Rocker Cover) | | | | | | |
| 918 | 697091 | Hose-Vacuum | | | | | | |
| 920 | 691656 | Solenoid-Starter Used on Type No(s). 0124, 0125. | | | | | | |
| 943 | ★690589 | Seal-O Ring (Oil Pump Cover) | | | | | | |
| 947 | 694393 | Solenoid-Fuel | | | | | | |
| 947A | 699915 | Solenoid-Fuel | | | | | | |
| 950 | 691657 | Screw-Float Bowl | | | | | | |
| 958 | 698183 | Valve-Fuel Shut Off (Plastic)(Plastic) Used on Type No(s). 0110, 0117, 0120, 0124. | | | | | | |

★ Included in Engine Gasket Set-Ref. No.358.

● Included in Carburetor Overhaul Kit-Ref. No. 121 or 121A.

◆ Included in Carburetor Gasket Set-Ref. No. 977.

△ Included in Valve Gasket Set-Ref. No 1095.

Illustrations cover a range of engines. Parts shown without corresponding text may not be used on your specific engine.

285H00

| REF. NO. | PART NO. | DESCRIPTION | REF. NO. | PART NO. | DESCRIPTION | REF. NO. | PART NO. | DESCRIPTION |
|----------|----------|--|----------|----------|--------------------------------|----------|----------|---------------|
| 1267 | 697424 | Latch-Blower Housing (Black) (Used After Code Date 03092800). Used on Type No(s). 0026, 0028, 0036, 0117, 0121, 0173, 0178, 0180, 0252, 0395, 0397. ----- Note ----- 697662 Latch-Blower Housing (Black) (Used Before Code Date 03092900). Used on Type No(s). 0026, 0028, 0036, 0117, 0121, 0173, 0178, 0180, 0252, 0395, 0397. 697419 Latch-Blower Housing (Red) Used on Type No(s). 0110, 0116, 0120, 0122, 0124, 0125, 0436, 0566. | 1270 | 697156 | Plug-AVS Counterweight | 1330 | 272147 | Repair Manual |
| | | | 1279 | 691108 | Screw (Blower Housing Support) | | | |

★ Included in Engine Gasket Set-Ref. No.358.

● Included in Carburetor Overhaul Kit-Ref. No. 121 or 121A.

◆ Included in Carburetor Gasket Set-Ref. No. 977.

△ Included in Valve Gasket Set-Ref. No 1095.

Illustrations cover a range of engines. Parts shown without corresponding text may not be used on your specific engine.